

## The Kramer T-2INSERT Optional Insert Kit

Congratulations on purchasing your Kramer **T-2INSERT** Optional Insert Kit.

The **T-2INSERT** Optional Insert Kit lets you add 2 more inserts to the TBUS configuration of the TBUS instead of a power socket, thus providing you with additional design flexibility.

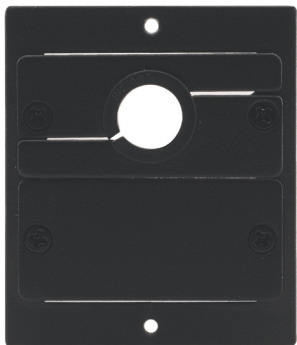


Figure 1: T-2INSERT Optional Insert Kit (P/N: 80-00006699)

## Installing the T-2INSERT Optional Insert Kit

To install the **T-2INSERT** Optional Insert Kit,

**Step 1:** place and align the Kramer insert under the opening

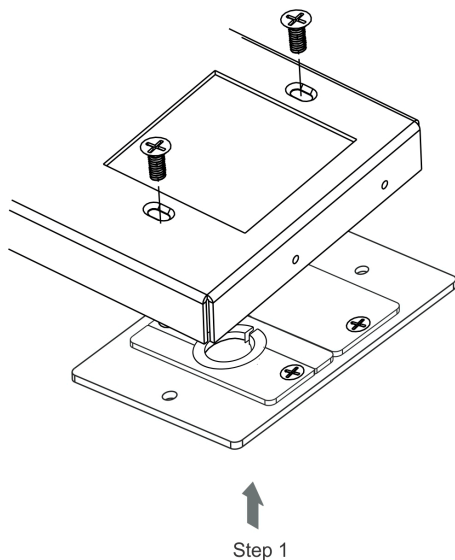


Figure 2: **T-2INSERT** Installation, Step 1

**Step 2:** insert the two screws (supplied with the kit) to fix the Kramer insert in place, and tighten them.

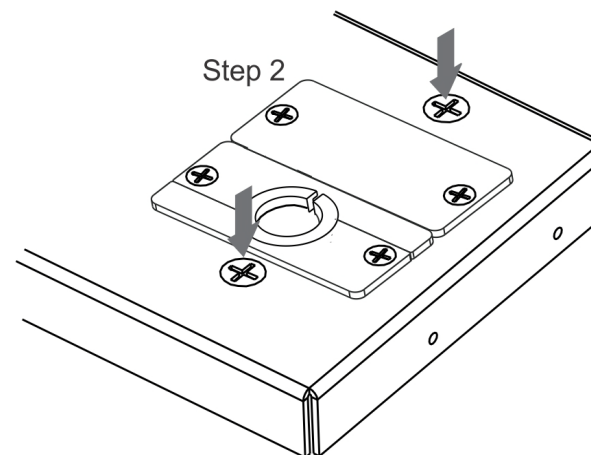


Figure 3: Tighten the frame, Step 2

**Step 3:** mount the inserts:

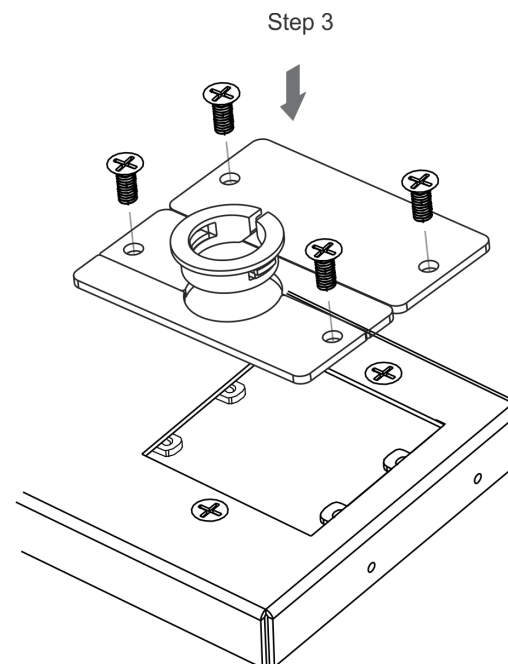


Figure 4: Mount the Inserts, Step 3



KRAMER ELECTRONICS LTD.

# Installation Instructions

MODEL:

**T-2INSERT**  
Optional Insert Kit

For the latest information on our products and a list of Kramer distributors, visit our Web site where updates to this user manual may be found.

**We welcome your questions, comments, and feedback.**

Web site: [www.kramerelectronics.com](http://www.kramerelectronics.com)

E-mail: [info@kramerej.com](mailto:info@kramerej.com)



**SAFETY WARNING**

Disconnect the unit from the power supply before opening and servicing

---

P/N: 2900-300169 Rev 1