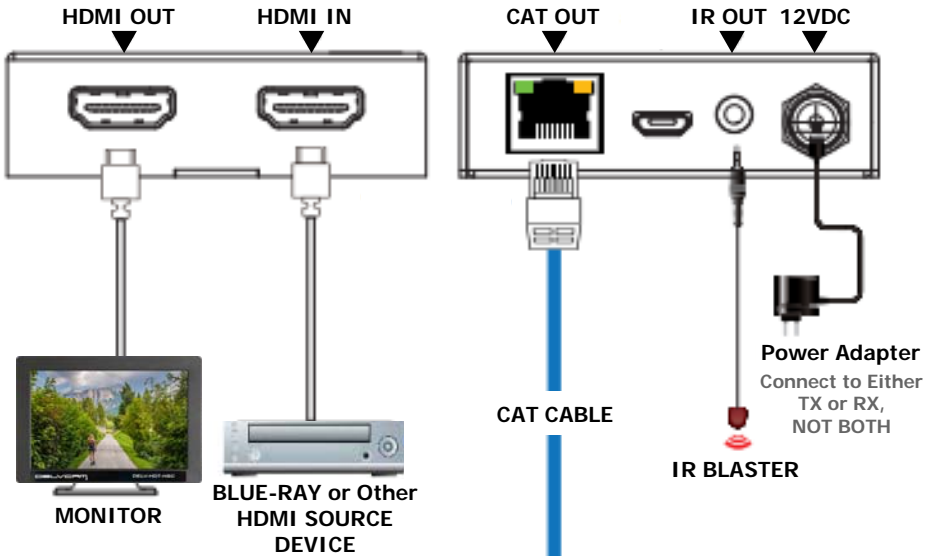


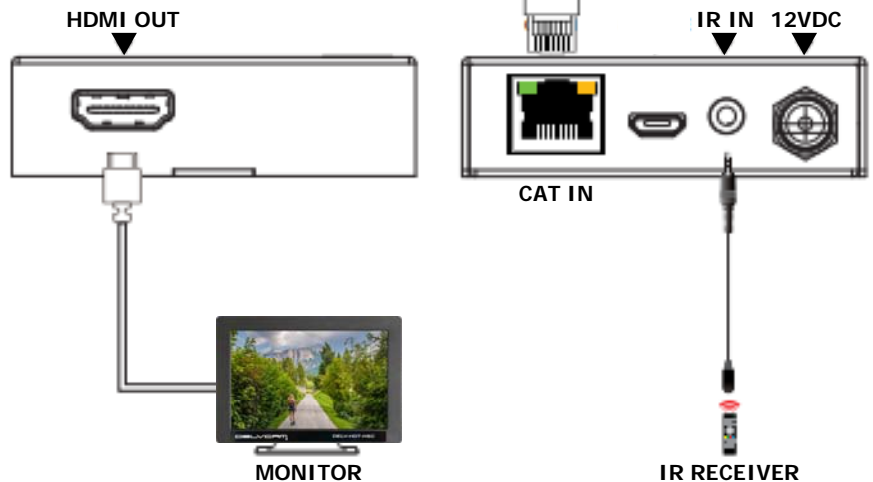
INSTALLATION & SPECIFICATIONS

OMX-01HMET0003 4K HDMI Extender

TRANSMITTER



RECEIVER



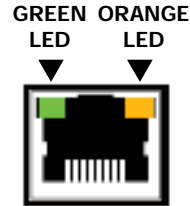
Specifications	
Compliance	HDMI 2.0 / HDCP 2.22 / HDCP 1.4
Certification	CE, RoHS
Video Bandwidth	18Gbps
Video Resolutions	Up to 4K60Hz 4:4:4
Color Space	RGB / YCbCr 4:4:4, YCbCr 4:2:2/4:2:0, YUV 4:4:4
Color Depth	8/10/12-bit (1080P60Hz, 4K30Hz, 4K60Hz YCbCr 4:2:2/4:2:0) 8-bit (4K60Hz 4:4:4)

Specifications	
HDMI Audio Formats	LPCM 2.0/2.1/5.1/6.1/7.1 Dolby Digital, Dolby TrueHD, Dolby Digital Plus DTS-ES, DTS HD Master, DTS HD-HRA, DTS-X
Power Consumption	3.84W
Dimensions	2.36 x 3.50 x 0.71 in
Weight	TX 5.64oz, RX 5.47oz
Includes	(1) 12V/1A Power Supply, (1) IR Blaster, (1) IR Receiver

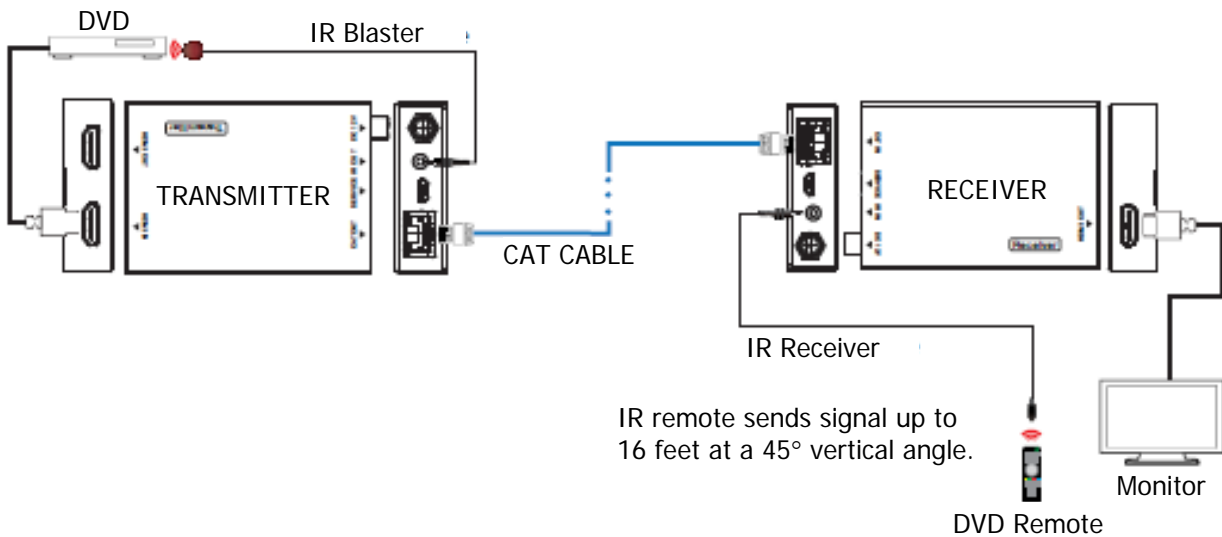
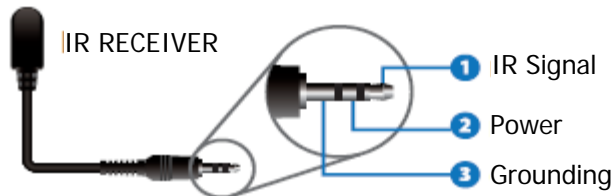
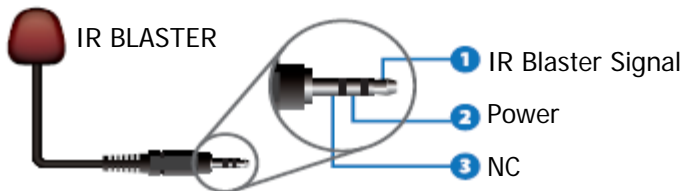
LED Indicators

Green LED illuminates when the transmitter or the receiver is ON.

Orange LED illuminates when the transmitter and receiver are transmitting signal.



IR Blaster & IR Extender



Troubleshooting

No image output

- Ensure power supply is firmly connected. Only use the 5VDC power adapter included with the unit.
- Check that the cables are securely connected.
- Check that the display/TV has been set to the proper input.
- For PC connections via HDMI, set output mode to mirror or extend in display settings.

Display is unstable

- Check all connections.
- Connect the source directly to the display device to ensure there is a signal output.
- Change the signal source if necessary.
- Use only high-quality copper standardized CAT6 cable.



SAFETY PRECAUTIONS



1. To prevent fire or shock hazard, do not expose this equipment to high humidity and/or dust. Do not use in an unprotected outdoor installation nor any area classified as overly damp or wet.
2. The temperature for installation should be kept between 32°F to 140°F (0°C to 60°C). Avoid direct sunlight exposure or extreme changes of temperature over a short period of time.
3. Do not disassemble the unit or place it on an unstable base.
4. Do not drop the unit and avoid heavy impact.
5. This unit should not be permanently installed unless proper ventilation is provided. Any enclosure openings must not be blocked or covered as they protect the unit from overheating.
6. Before cleaning, turn off the power and unplug the unit from all connections. Use a damp cloth. Do not use liquid cleaners nor aerosol cleaners.
7. Do not overload outlets and extension cords as this may result in a risk of fire or electric shock.
8. Enclosure entry is dangerous. Never push objects of any kind, including liquids, into this unit through openings as they may touch dangerous voltage points or short-out parts that could result in a fire or electric shock.
9. Do not attempt to open or service this unit yourself as opening or removing covers may expose you to dangerous voltage and other hazards.
10. There are no user-serviceable parts inside the unit. If the unit requires service contact your authorized dealer, or an authorized repair service company.