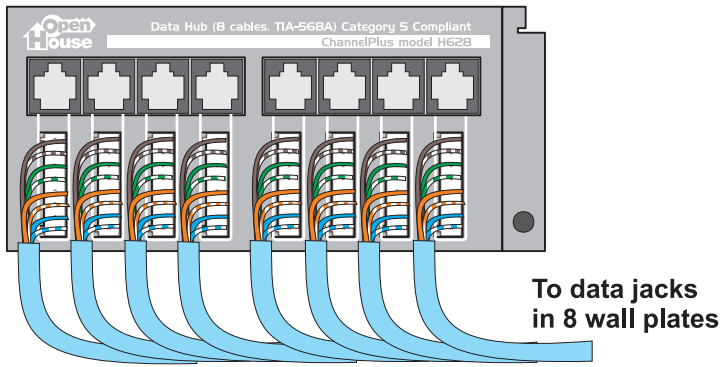


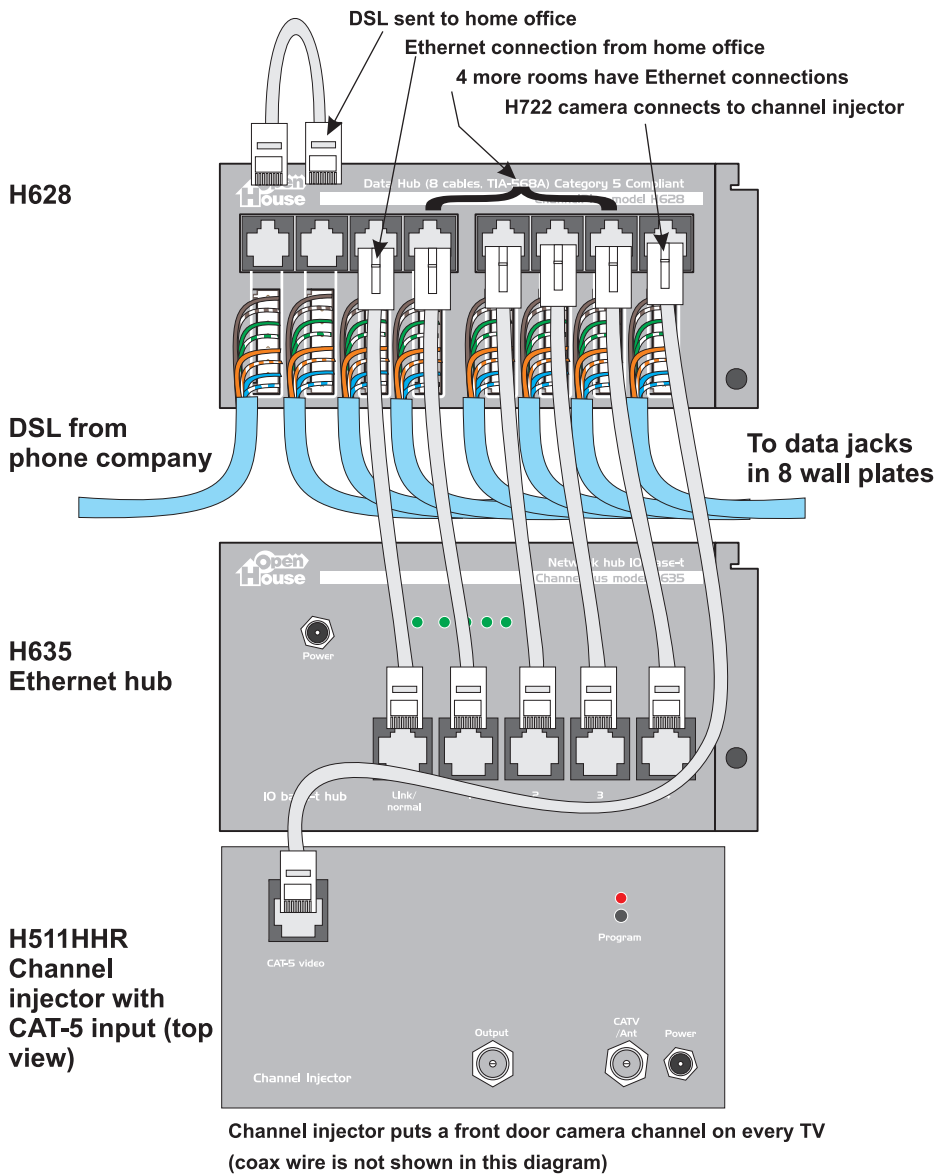
# ChannelPlus Data Modules

The H628 terminates data lines with CAT-5 jacks (RJ-45). Use CAT-5 jumper cables to route services to wall plates in the appropriate rooms of the house.

Wiring H628/H629  
CAT-5 data hub  
(H628 shown)

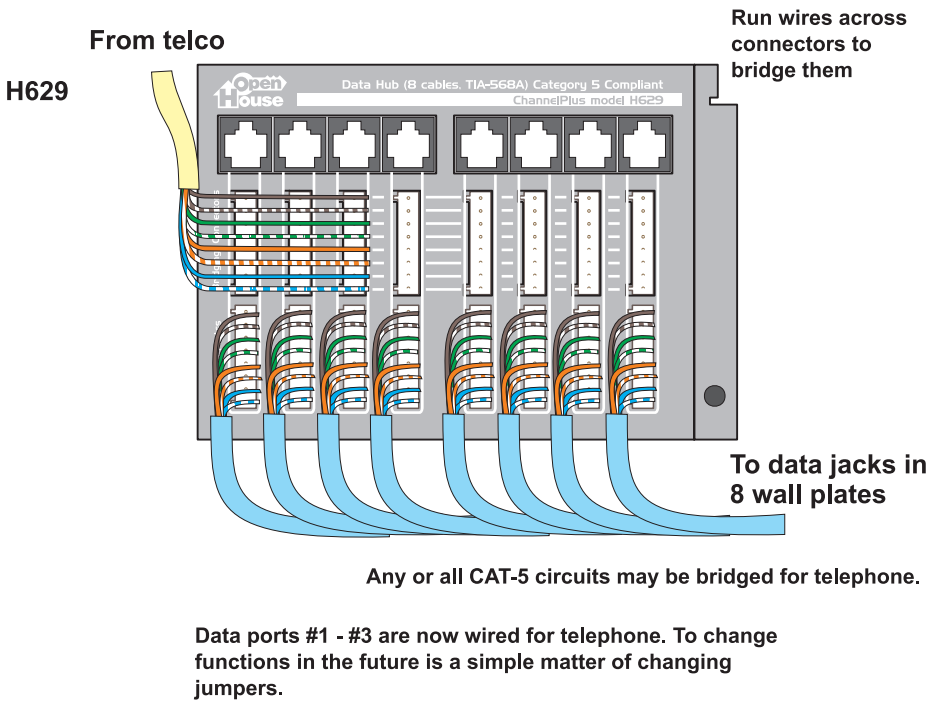


## Sample system



## Using the H629 for telephone distribution

In a structured wire system, telephone outlets are wired using CAT-5 cables with a single RJ-45 jack at each end of the wire. To bring telephone to the jacks, bridge the telephone lines at the hub.

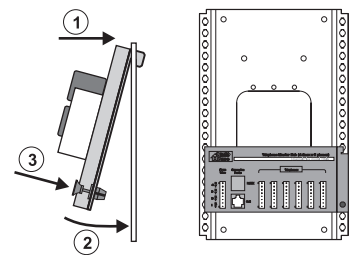


## SAFETY INFORMATION:

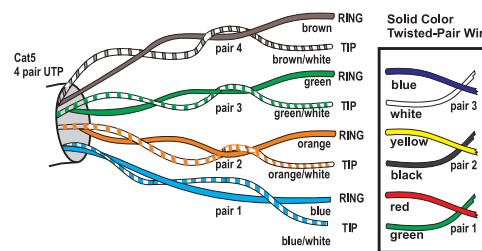
- Never install telephone wiring during a lighting storm.
- Never install telephone jacks in wet locations.
- Never touch uninsulated telephone wires or terminals unless the telephone line has been disconnected at the network interface.
- Use caution when installing or modifying telephone lines.

## OpenHouse™ modules attach from the top

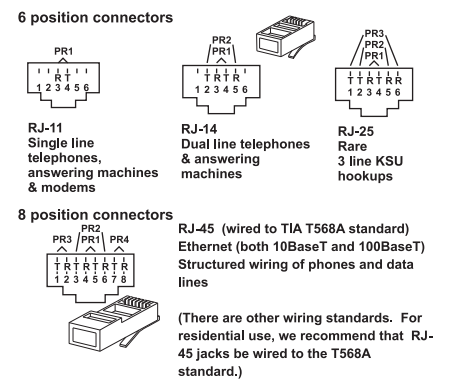
- Hook from the top
- Swing into place
- Push button to lock



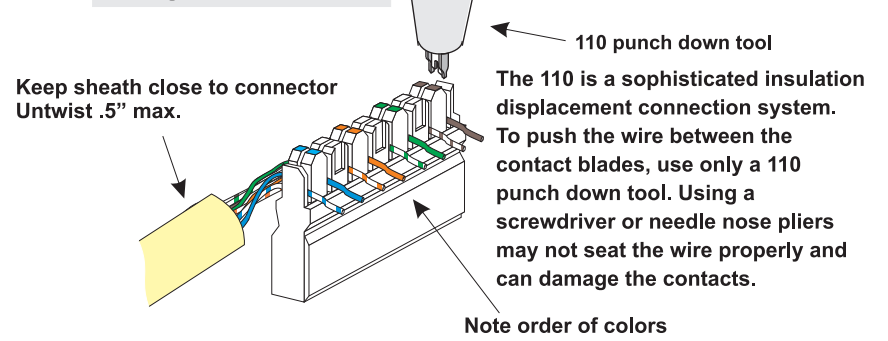
## Wire Color Codes



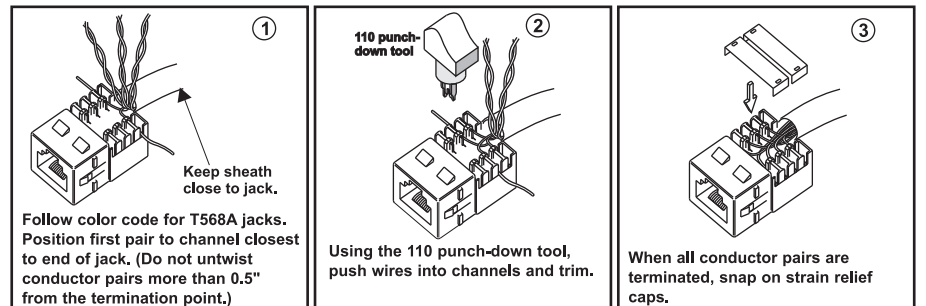
## Modular connectors



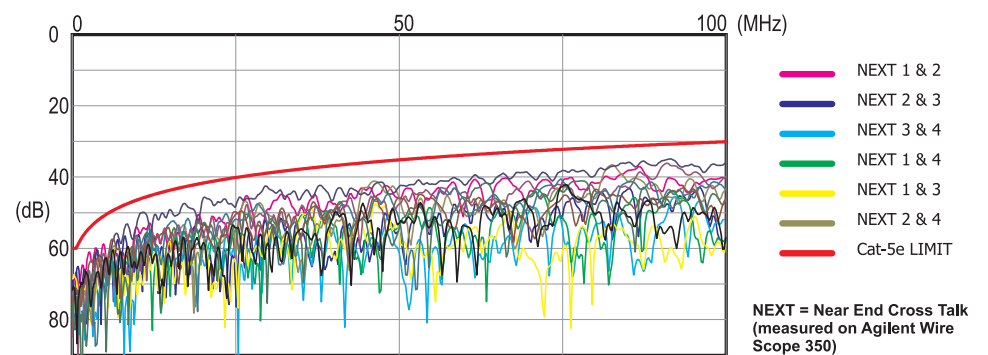
## Wiring a 110 connector



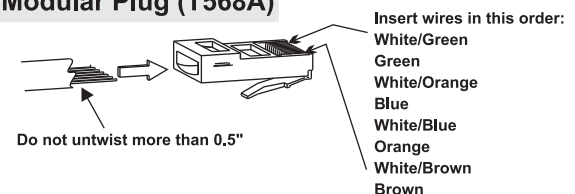
## Wiring a Cat-5 jack



## H628 CAT-5e performance



## Wiring Modular Plug (T568A)



## Colors of OpenHouse™ wiring

