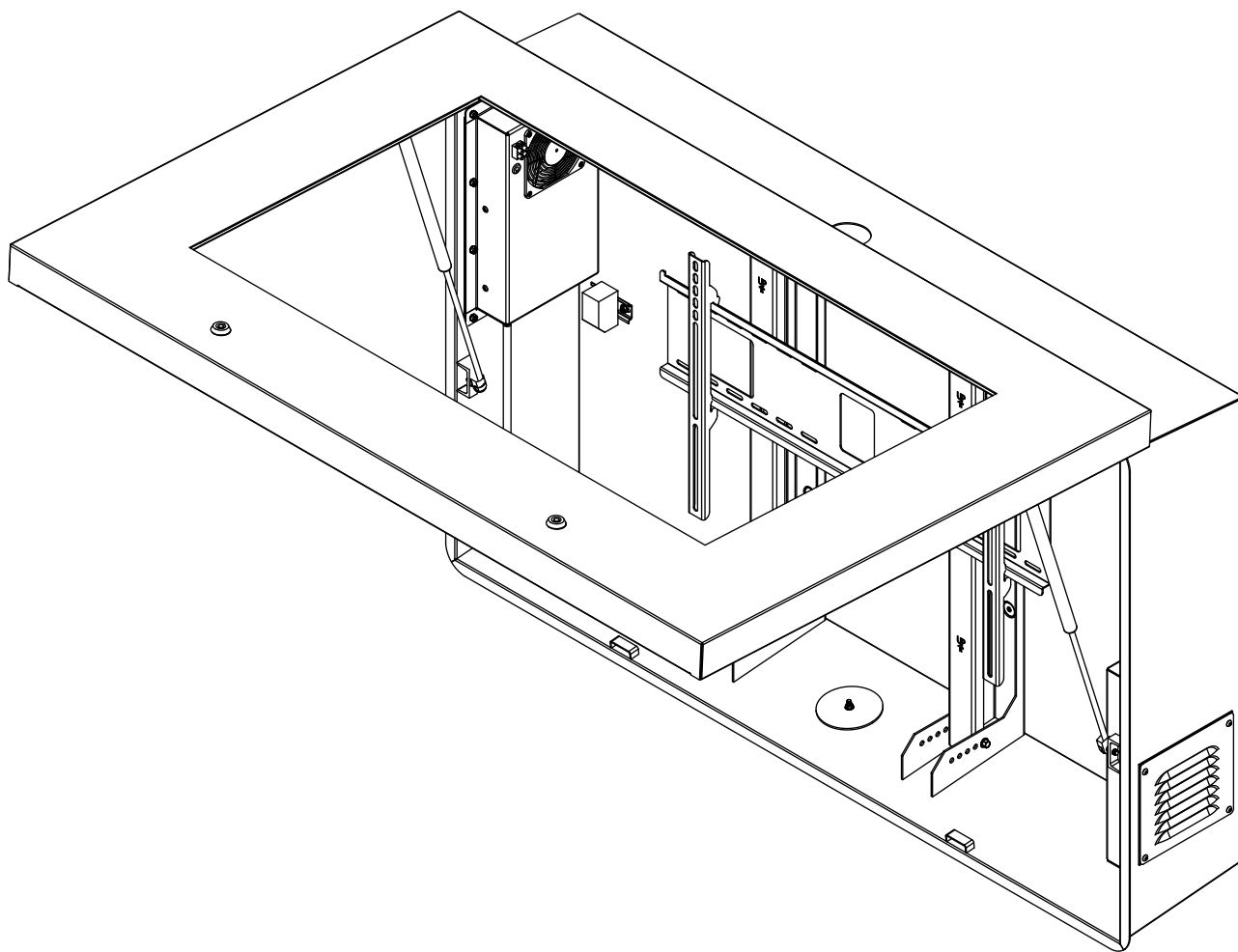




Installation and Assembly: Peerless Environmental Enclosure for 42" Flat Panel Screens

Model: FPE42F-S, FPE42FH-S, FPE42F-UK-S, FPE42FH-UK-S,
FPE42F-EU-S, FPE42FH-EU-S



Max Load Capacity: 250 lb (113.4 kg)

NOTE: Read entire instruction sheet before you start installation and assembly.

⚠ WARNING

- Do not begin to install your Peerless product until you have read and understood the instructions and warnings contained in this Installation Sheet. If you have any questions regarding any of the instructions or warnings, for US customers please call Peerless customer care at 1-800-865-2112, for all international customers, please contact your local distributor.
- Due to outdoor environmental conditions such as strong wind gusts, heavy snow, hail, rain, etc. The environmental enclosure and hardware, must be inspected at least once a year, and immediately following any time winds exceed 90 mph. A qualified installer or inspector must check for signs of rust, loose fasteners, bent metal, etc. If evidence of excessive wear, deterioration or any unsafe condition is observed, this product must be taken out of service immediately. Direct all inquiries to customer care if you have any questions.
- Glass face of enclosure must avoid direct sunlight or damage to display may occur.
- This product should only be installed by someone of good mechanical aptitude, has experience with basic building construction, and fully understands these instructions.
- Make sure that the supporting surface will safely support the combined load of the equipment and all attached hardware and components.
- Never exceed the Maximum Load Capacity. See page one.
- If mounting to wood wall studs, make sure that mounting screws are anchored into the center of the studs. Use of an "edge to edge" stud finder is highly recommended.
- Always use an assistant or mechanical lifting equipment to safely lift and position equipment.
- Tighten screws firmly, but do not overtighten. Overtightening can damage the items, greatly reducing their holding power.
- This product was designed for use with other outdoor products only
- This product was designed to be installed on the following wall construction only;

WALL CONSTRUCTION

- Wood Stud
- Wood Beam
- Solid Concrete
- Cinder Block
- Brick
- Other or unsure?

HARDWARE REQUIRED

- Included
- Included
- Contact Qualified Professional
- Contact Qualified Professional
- Contact Qualified Professional
- Contact Qualified Professional

Tools Needed for Assembly

- stud finder ("edge to edge" stud finder is recommended)
- drill

- phillips screwdriver, 5 mm allen wrench, flathead screwdriver
- 5/32" (4 mm) bit for wood stud wall
- level
- hammer

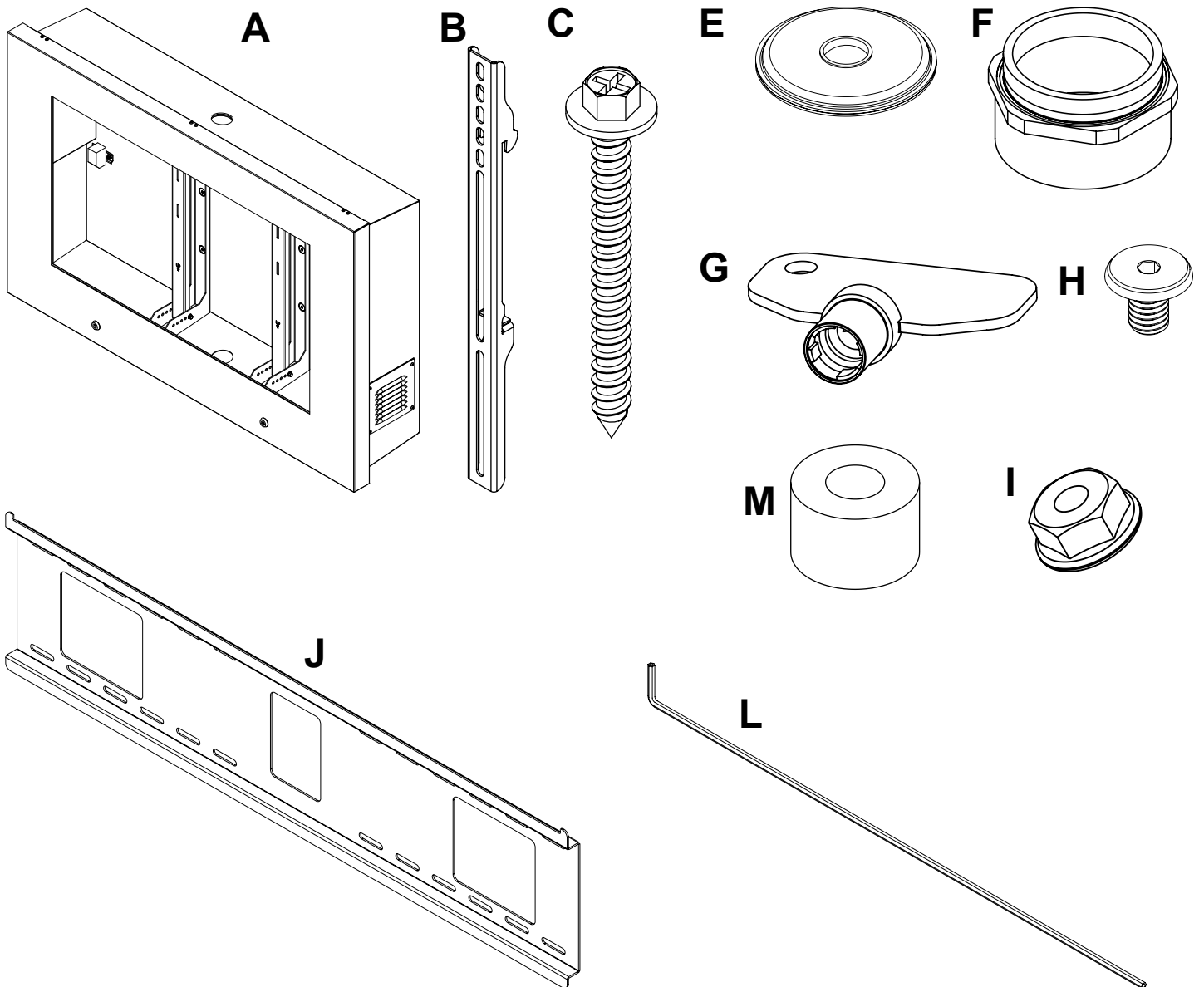
Table of Contents

Parts List	3
Removing bay door	5
Wall installation.....	7
Depth Adjustment	8
Wall plate installation.....	9
Reinstalling door	10
Attaching vertical brackets to screen	11,12
Mounting and removing screen	13
Setting Thermostat	14
Filter Replacement	16

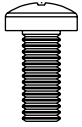
Before you begin, make sure all parts shown are included with your product.

Parts List		FPE42F-S	FPE42FH-S	FPE42F-UK-S	FPE42FH-UK-S	FPE42F-EU-S	FPE42FH-EU-S
Description	Qty.	Part #	Part #	Part #	Part #	Part #	Part #
A enclosure assembly	1	061-7489	061-7496	061-7584	061-7499	061-7588	061-7587
B adapter brackets	2	202-P1656	202-P1656	202-P1656	202-P1656	202-P1656	202-P1656
C wood screws	6	551-015-C03	551-015-C03	551-015-C03	551-015-C03	551-015-C03	551-015-C03
E sealed washer	6	540-4067	540-4067	540-4067	540-4067	540-4067	540-4067
F ROXTEC cable seal	1	600-0107	600-0107	600-0107	600-0107	600-0107	600-0107
G key	1	600-0116	600-0116	600-0116	600-0116	600-0116	600-0116
H 12 mm flat head screw	4	520-2325	520-2325	520-2325	520-2325	520-2325	520-2325
I serrated locknut	4	530-2021	530-2021	530-2021	530-2021	530-2021	530-2021
J wall plate	1	201-P1018	201-P1018	201-P1018	201-P1018	201-P1018	201-P1018
K cord cover plate assembly (not shown)	2	061-7285	061-7285	061-T1285	061-T1285	061-T1285	061-T1285
L 4 mm allen wrench	1	560-1727	560-1727	560-1727	560-1727	560-1727	560-1727
M 1/2" spacer	6	540-1059	540-1059	540-1059	540-1059	540-1059	540-1059

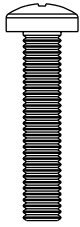
Parts may appear slightly different than illustrated.



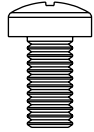
Adapter Bracket Fasteners



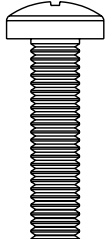
M5 x 12 mm (4)
(520-1027)



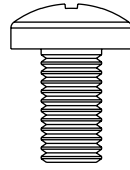
M5 x 25 mm (4)
(520-9543)



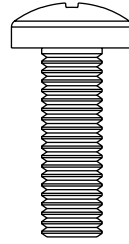
M6 x 12 mm (4)
(520-1128)



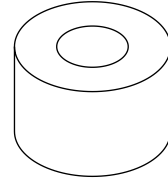
M6 x 25 mm (4)
(520-1208)



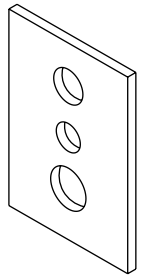
M8 x 12 mm (4)
(520-9571)



M8 x 25 mm (4)
(520-1031)



.75" spacer (4)
(540-1059)



Multi-washer (4)
(580-1398)

Optional Removal of Bay Door

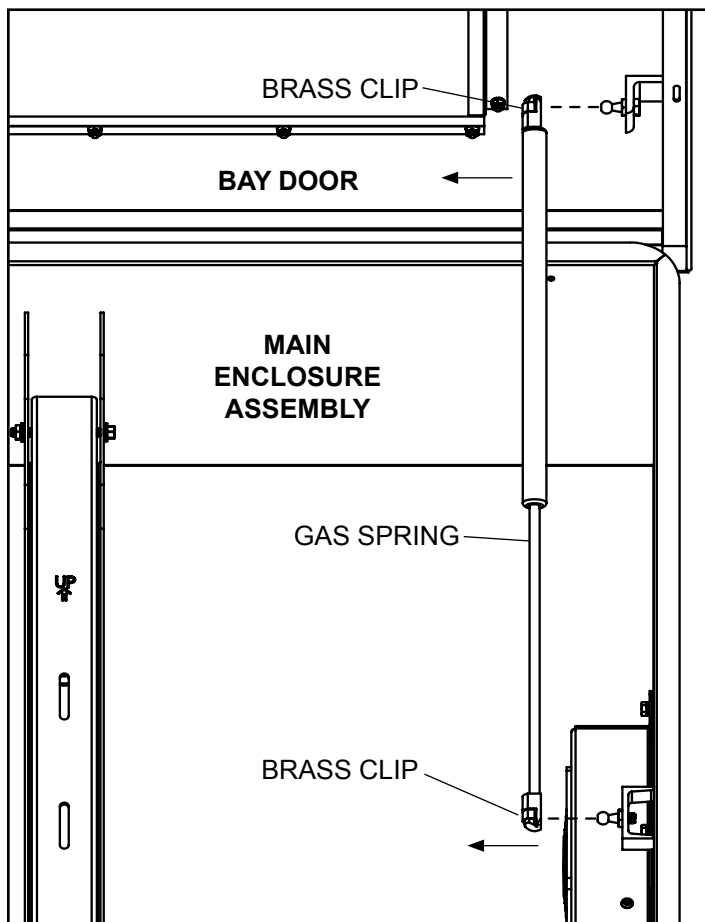
⚠ WARNING

- Grasp bay door firmly. Bay door will swing freely when gas springs are removed.

1 Bay door may be removed for ease of installation to mounting surface. **NOTE:** Removal of bay door is optional. Installation may be completed without removing bay door.

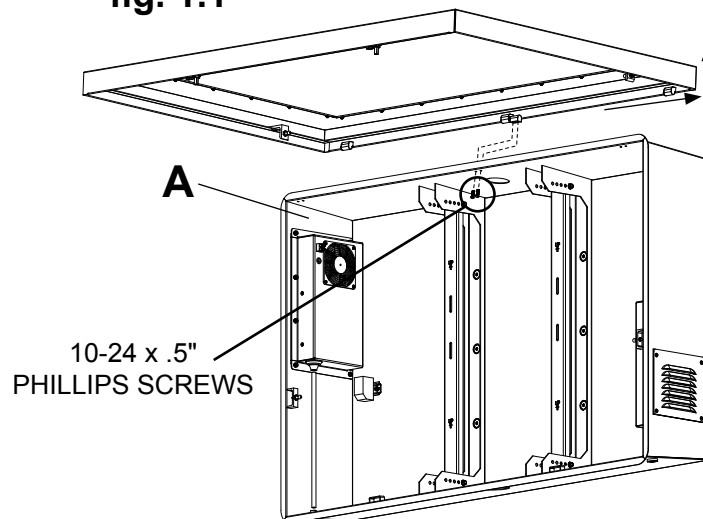
Insert flathead screwdriver under brass clip of gas spring shown in detail 1 and pry up. Pull gas spring away from bay door.

1-1 Remove center set of 10-24 x .5" phillips screws from inside of enclosure assembly (**A**) as shown in figure 1.1. Slide bay door to the right to disengage hinges and lift off of enclosure assembly.



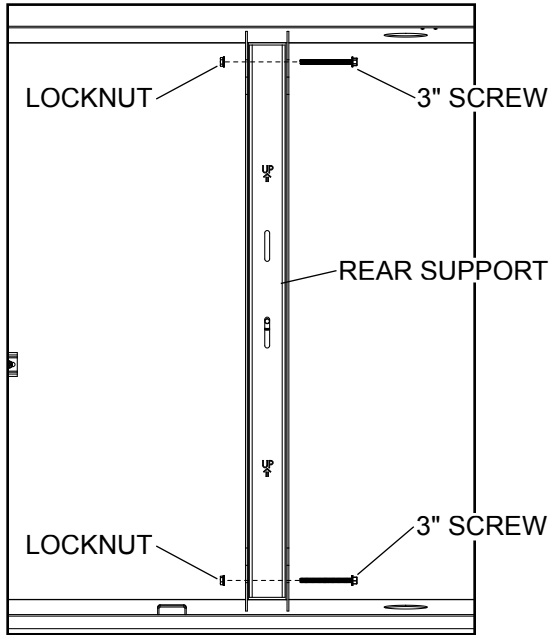
DETAIL 1

fig. 1.1



1-2

Removal of Rear Supports: Remove 3" serrated washer head screws and locknuts at top and bottom of rear supports as shown in detail 2 and lift rear supports out.



DETAIL 2

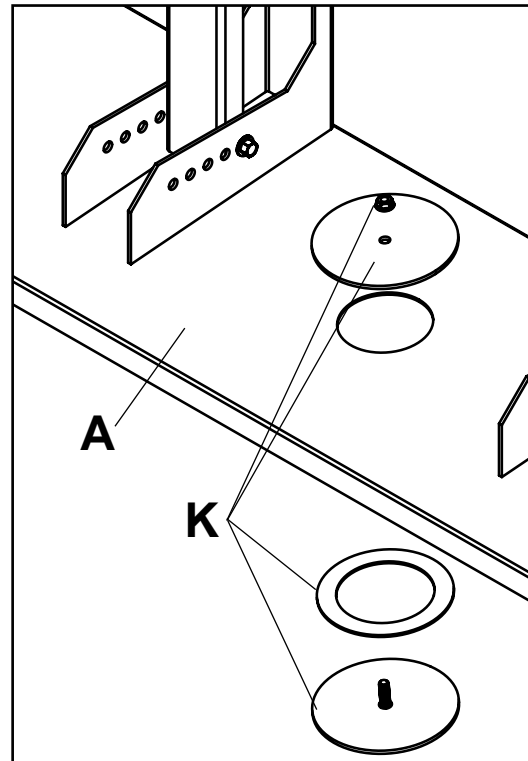
2

Cables may be routed through top or bottom of main enclosure assembly. An additional available option for cable entry while maintaining the waterproof seal of the enclosure is the ROXTEC cable gland (F).

Install ROXTEC hardware to top or bottom of enclosure assembly (A).

Follow the ROXTEC manufacturers' instructions for installation included in ROXTEC cable gland (F) box.

Install cord cover plate assembly (K) to remaining open holes of enclosure assembly (A) as shown in detail 3.



DETAIL 3

Installation to Wood Stud Wall

⚠ WARNING

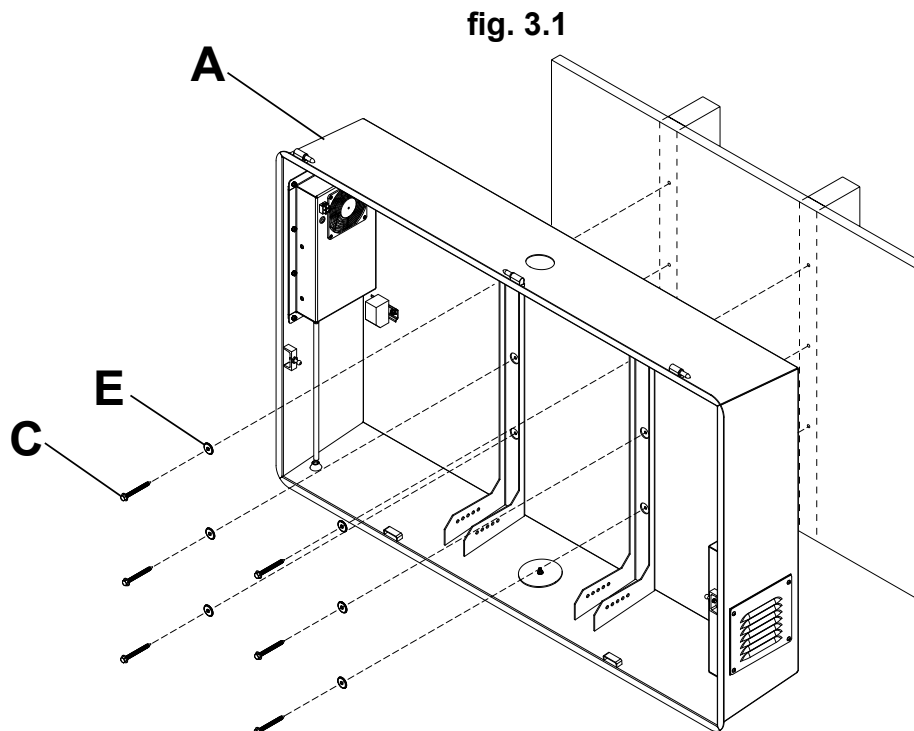
- DO NOT lift more weight than you can handle. Always use an assistant or mechanical lifting equipment to safely lift and position enclosure assembly (A).
- Installer must verify that the supporting surface will safely support the combined load of the equipment and all attached hardware and components.
- Tighten wood screws so that the enclosure assembly is firmly attached, but do not overtighten. Overtightening can damage the screws, greatly reducing their holding power.
- Never tighten in excess of 80 in. • lbs. (9 N.M.).
- Make sure that mounting screws are anchored into the center of the stud. The use of an "edge to edge" stud finder is highly recommended.
- Hardware provided is for attachment of mount through standard thickness drywall or plaster into wood studs. Installers are responsible to provide hardware for other types of mounting situations.

3 **NOTE:** This step is for mounting enclosure assembly (A) flush against supporting surface. For use with mount, follow instructions provided with wall mount.

Use a stud finder to locate the edges of the studs and draw a vertical line down each stud's center. Place enclosure assembly (A) on wall as a template, level and mark the center of the six mounting holes. Make sure that the mounting holes are on the stud centerlines. Drill six 5/32" (4 mm) dia. holes 2.5" (64 mm) deep. Make sure that the enclosure is level and secure it using six 2.5" wood screws (C) and six washers (E) as shown in figure 3.1.

NOTE: If cord cover plate assembly (K) is used on the rear of the enclosure, you may use the 1/2" spacer (M) between enclosure assembly and wall surface.

Skip to step 4.



Depth Adjustment

⚠ WARNING

- Failure to allow this space for air circulation and to allow heat to dissipate from the display may effect the visual appearance and/or cause damage to your display.

4 **NOTE:** The installed display should allow a 1/2" air gap between the front of the display and the interior surface of the window. A display mounted directly against the window will create a dead air space that traps heat which may affect the functionality of both the display and the enclosure mount.

Measure the depth of your display. Choose the appropriate fixed stop-position from the chart below. Reinstall rear supports with 3" serrated washer head screws and locknuts into appropriate fixed stop-position as shown in figure 4.1. **NOTE:** Be sure "UP" arrow of rear support is pointing up as shown in figure 4.2.

Do not tighten fasteners.

FIXED STOP-POSITION #3
 FIXED STOP-POSITION #2
 FIXED STOP-POSITION #1
 FIXED STOP-POSITION #4
 FIXED STOP-POSITION #5

Depth of Display	Fixed Stop-Position
1-1/8" - 2-1/8" (29 - 54 mm)	#1
1-3/4" - 2-3/4" (44 - 70 mm)	#2
2-3/8" - 3-3/8" (60 - 86 mm)	#3
3" - 4" (76 - 102 mm)	#4
3-5/8" - 4-5/8" (92 - 117 mm)	#5

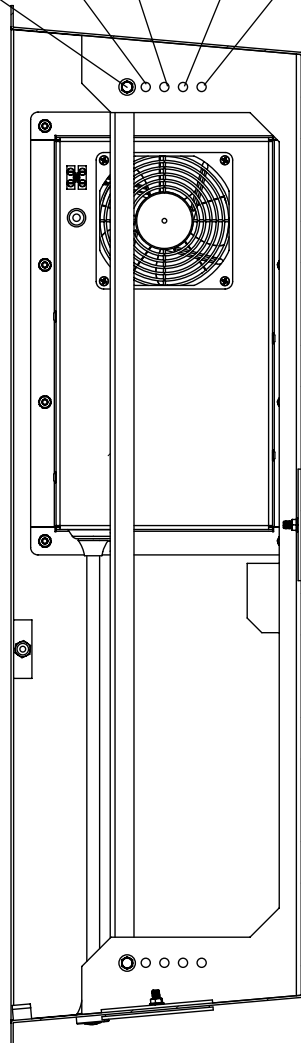


fig. 4.1

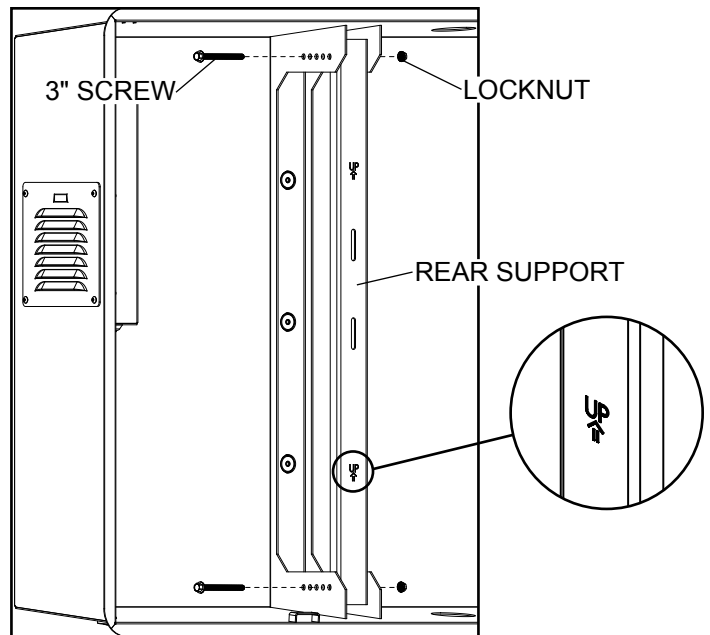
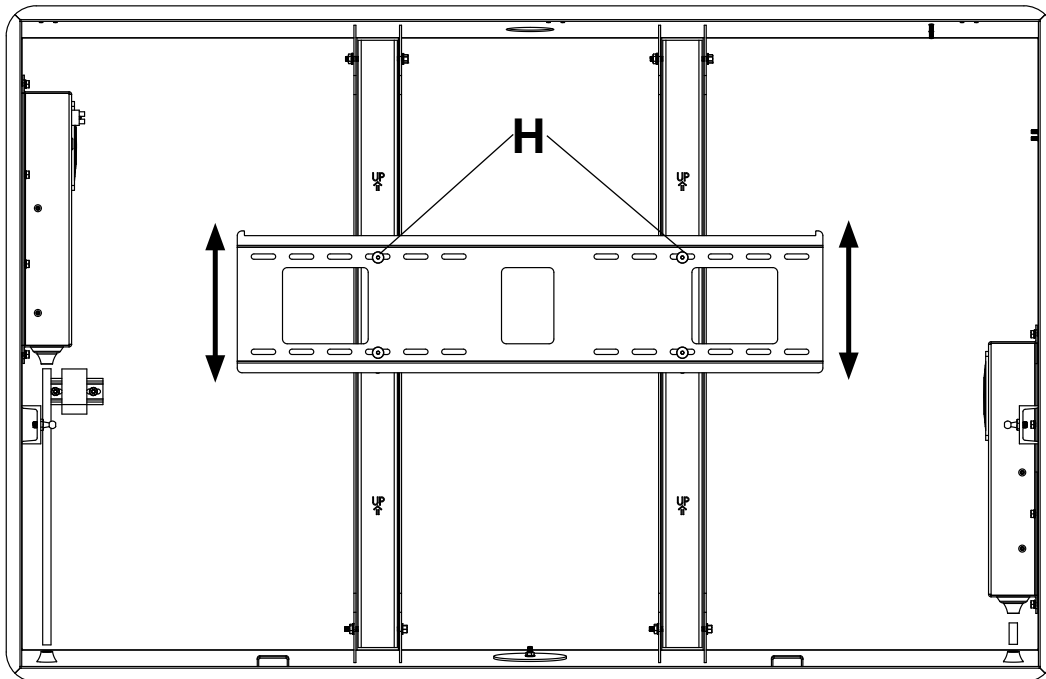
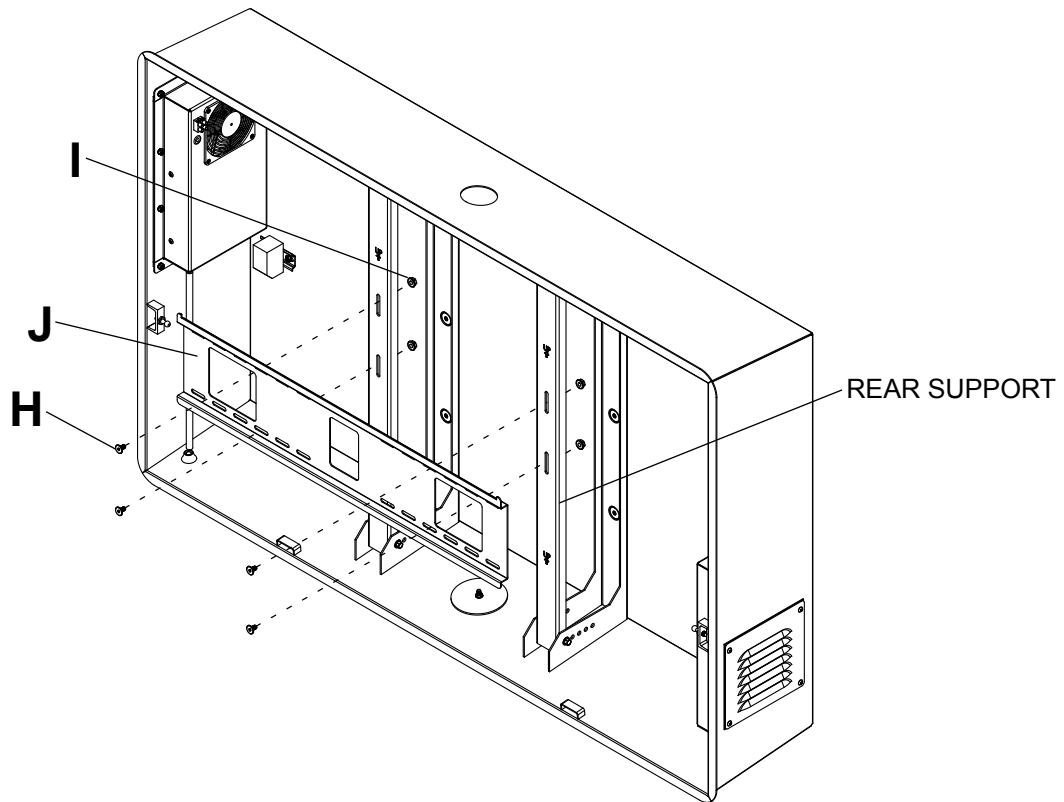


fig. 4.2

Wall Plate Installation

4-1 Attach wall plate (**J**) to rear supports with four 12 mm flat head screws (**H**) and four serrated locknuts (**I**). Slide wall plate (**J**) to desired vertical position ($\pm 3/4"$).

Level wall plate and retighten 12 mm flat head screws (**H**) using 4 mm allen wrench (**L**).

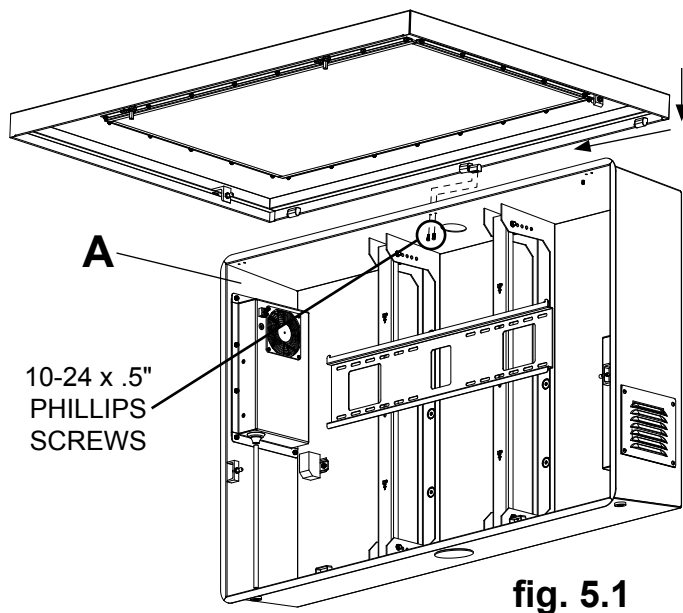


Reinstalling Bay Door

⚠ WARNING

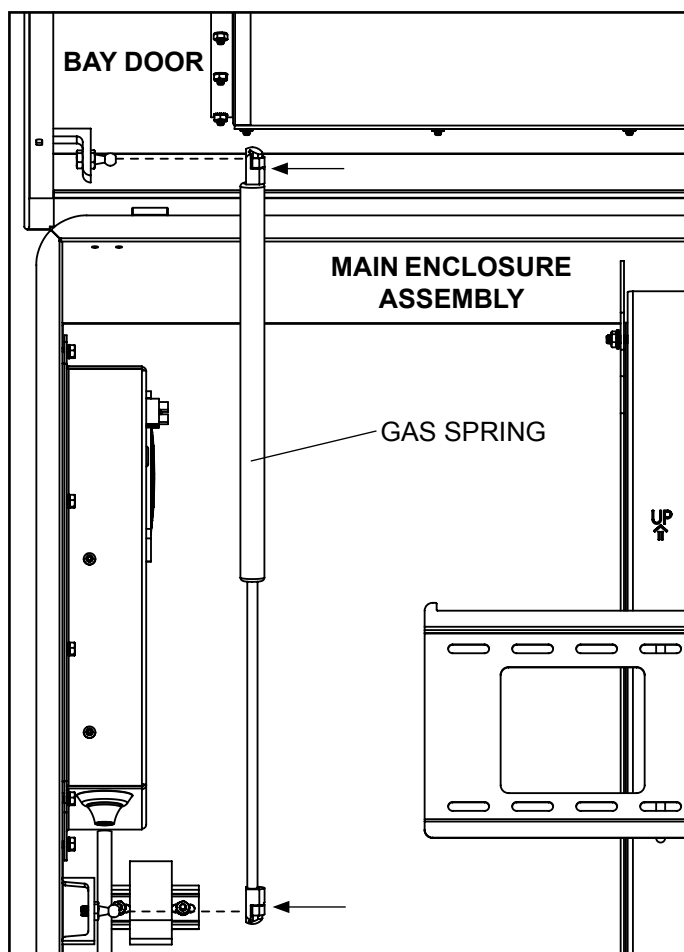
- Grasp bay door firmly. Bay door will swing freely when gas springs are removed.

5 If bay door was removed in step 1, lower bay door onto enclosure assembly and slide to the left to engage hinges. Align holes of center hinge with holes of enclosure assembly (**A**). Reinstall two 10-24 x .5" phillips screws to inside of enclosure assembly as shown in figure 5.1.



5-1 Secure both gas springs to bay door by pressing firmly as shown in detail 4.

NOTE: Be sure thin end of gas spring is attached to main enclosure assembly.



Installing Adapter Brackets

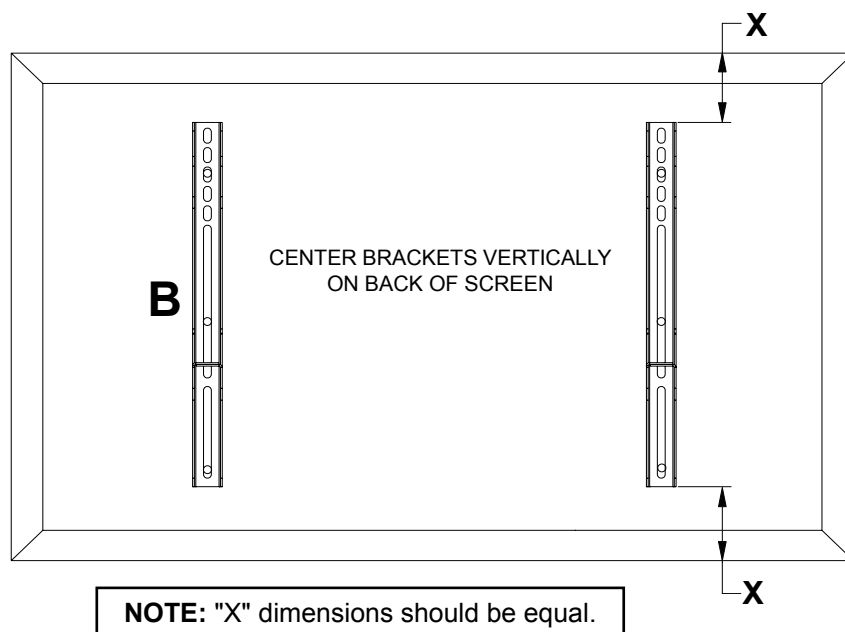
⚠ WARNING

- Tighten screws so adapter brackets are firmly attached. Do not tighten with excessive force. Overtightening can cause stress damage to screws, greatly reducing their holding power and possibly causing screw heads to become detached. Tighten to 40 in. • lb (4.5 N.M.) maximum torque.
- If screws don't get three complete turns in the screen inserts or if screws bottom out and bracket is still not tightly secured, damage may occur to screen or product may fail.

6 To prevent scratching the screen, set a cloth on a flat, level surface that will support the weight of the screen. Place screen face side down. If screen has knobs on the back, remove them to allow the adapter brackets to be attached. Place adapter brackets (**B**) on back of screen, align to holes, and center on back of screen as shown below. Attach the adapter brackets to the back of the screen using the appropriate combination of screws, multi-washers and spacers as shown in figures 6.1 and 6.2.

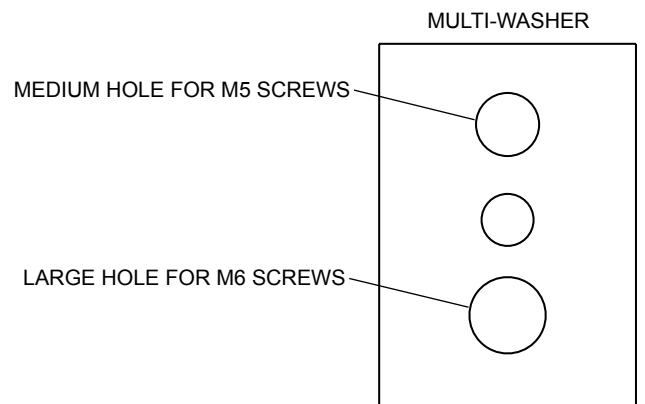
NOTE: Top and bottom holes must always be used.

Verify that all holes are properly aligned, and then tighten screws using a phillips screwdriver.



Notes:

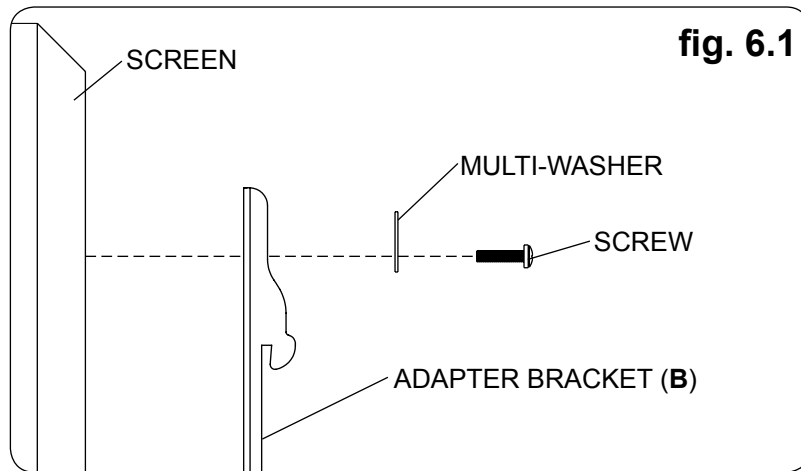
- The number of fasteners used will vary, depending upon the type of screen.
- Multi-washers and spacers may not be used, depending upon the type of screen.
- Use the corresponding hole in the multi-washer that matches your screw size as shown.



For Flat Back Screen

6-1 Begin with the shortest length screw, hand thread through multi-washer and adapter bracket into screen as shown below. Screw must make at least three full turns into the mounting hole and fit snug into place. Do not overtighten. If screw cannot make three full turns into the screen, select a longer length screw from the baffled fastener pack. Repeat for remaining mounting holes, level brackets and tighten screws.

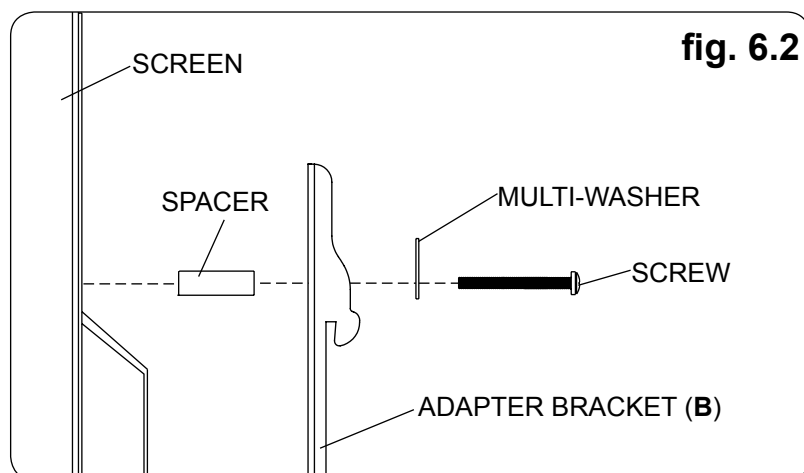
NOTE: Spacers may not be used, depending upon the type of screen.



If you have any questions, please call Peerless customer care at 1-800-865-2112.

For Bump-out or Recessed Back Screen

6-2 Begin with longer length screw, hand thread through multi-washer, adapter bracket and spacer in that order into screen as shown below. Screw must make at least three full turns into the mounting hole and fit snug into place. Do not overtighten. If screw cannot make three full turns into the screen, select a longer length screw from the baffled fastener pack. Repeat for remaining mounting holes, level brackets and tighten screws.



If you have any questions, please call Peerless customer care at 1-800-865-2112.

Mounting Flat Panel Display

⚠ WARNING

- Always use an assistant or mechanical lifting equipment to safely lift and position the flat panel displays.

- 7** Hook adapter brackets (**B**) onto wall plate (**J**) then slowly swing display in as shown in figure 7.1. Remove 3" serrated washer head screws from bottom of rear supports.

Swing rear supports up to access safety/security screws as shown in figure 7.2. Turn safety/security screws, using 4 mm allen wrench (**L**), clockwise at least six times to prevent display from being removed as shown in detail 5. **NOTE:** To lock the display down, tighten safety screws to wall plate as shown in detail 5.

Route cables through ROXTEC cable seal and plug into appropriate connection. Reinstall 3" serrated washer head screws and locknuts to bottom of rear supports. Tighten all fasteners.

CAUTION

- Do not position AV and power cables close to heater or damage to cables may occur. See next page for more information.

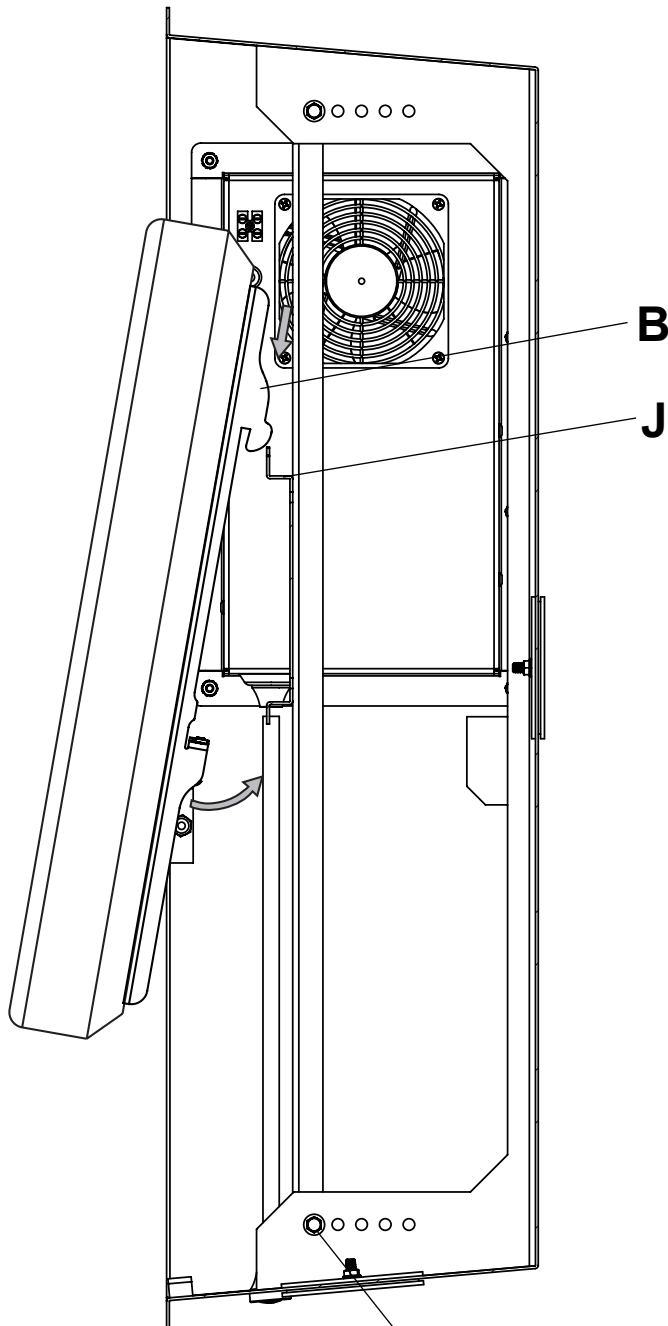


fig. 7.1

3" SERRATED WASHER HEAD SCREWS

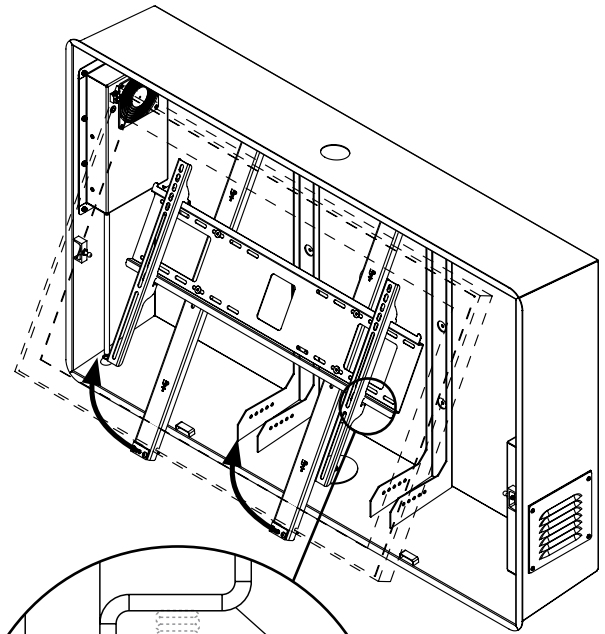
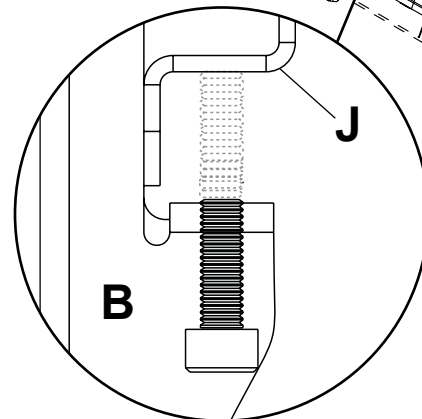


fig. 7.2



DETAIL 5

Setting Thermostat

- 8** Refer to screen manufacturers' requirements for optimal environment temperature. If screen manufacturer's requirements state that cooler or warmer temperatures are acceptable, use a flatblade screwdriver to adjust dial to desired temperature.

NOTE: Thermostat inside enclosure assembly will determine at what time the Exhaust Fan will initiate. The Intake Fan will operate at all times. For all other questions, refer to thermostat instruction sheet included in enclosure assembly

HEATER INFORMATION (FPE42FH-S only)

Thermostat of heater is not adjustable. The heater will turn on at $40^{\circ}(\pm 7^{\circ})$ and will turn off at $60^{\circ}(\pm 5^{\circ})$.

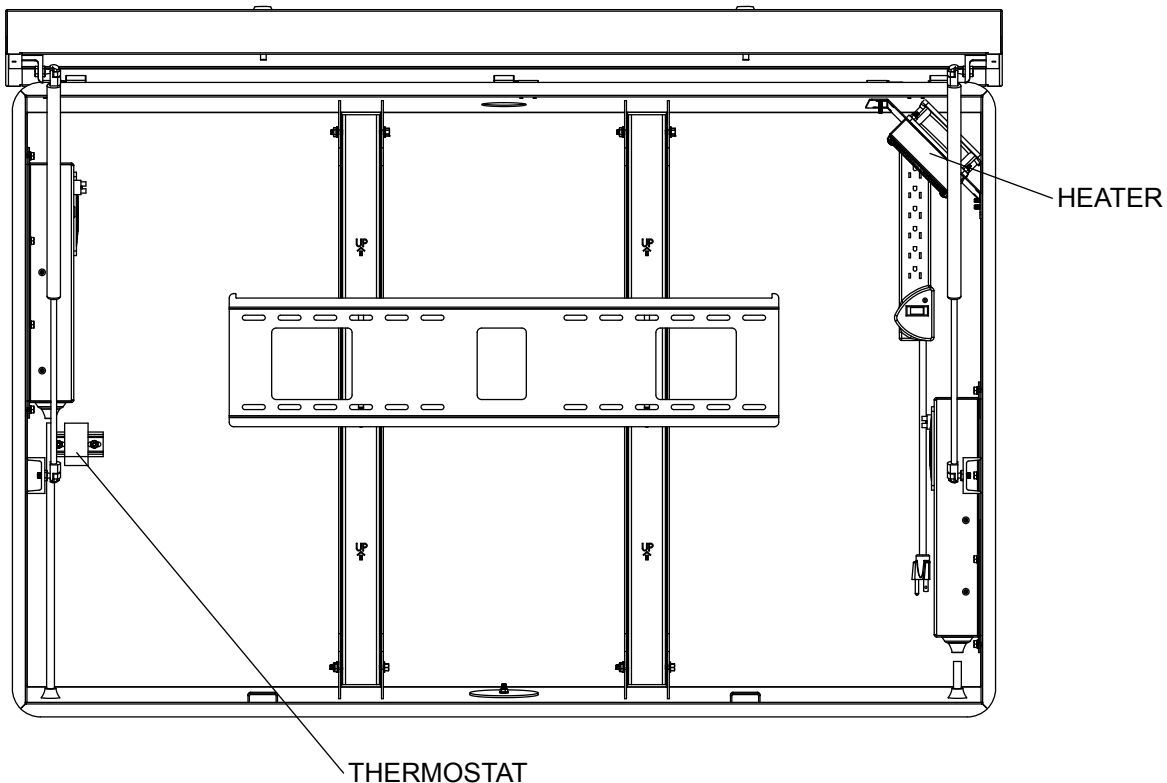
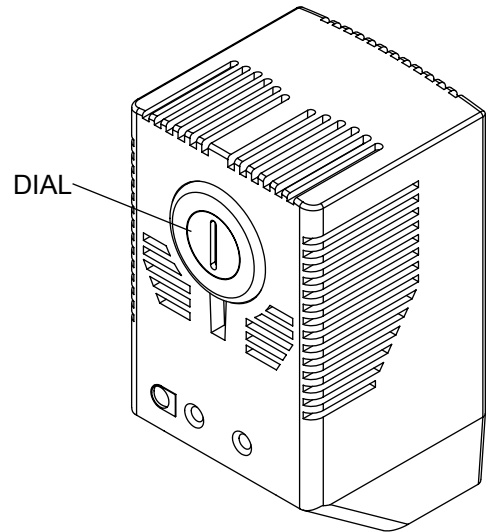
Heater uses a 20 amp fuse.

⚠ WARNING

- Frame of heater will be hot when turned on. Turn heater off allowing frame to cool prior to service.

CAUTION

- Do not position AV and power cables close to heater or damage to cables may occur.



Locking Environmental Enclosure

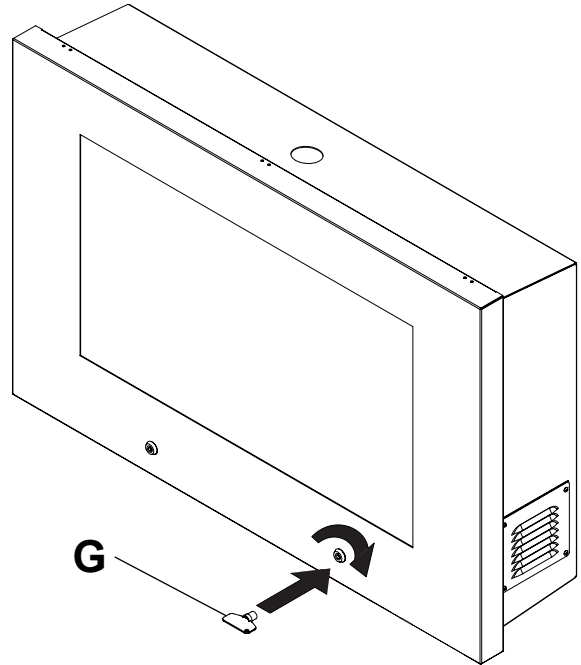
9 Gently lower bay door. Using key (**G**) rotate door locks clockwise until key cannot turn. Make sure that the key has fully rotated to seal enclosure. If key does not fully rotate, door lock may need to be adjusted for a looser seal.

NOTE: Gasket seal of bay door must be compressed to allow for a water tight seal. Test seal of door by inserting a sheet of paper in between the door seal and the enclosure seal. If the sheet of paper is easily removed, door lock may need to be adjusted for a tighter seal.

See step 9-1 below for door lock adjustment.

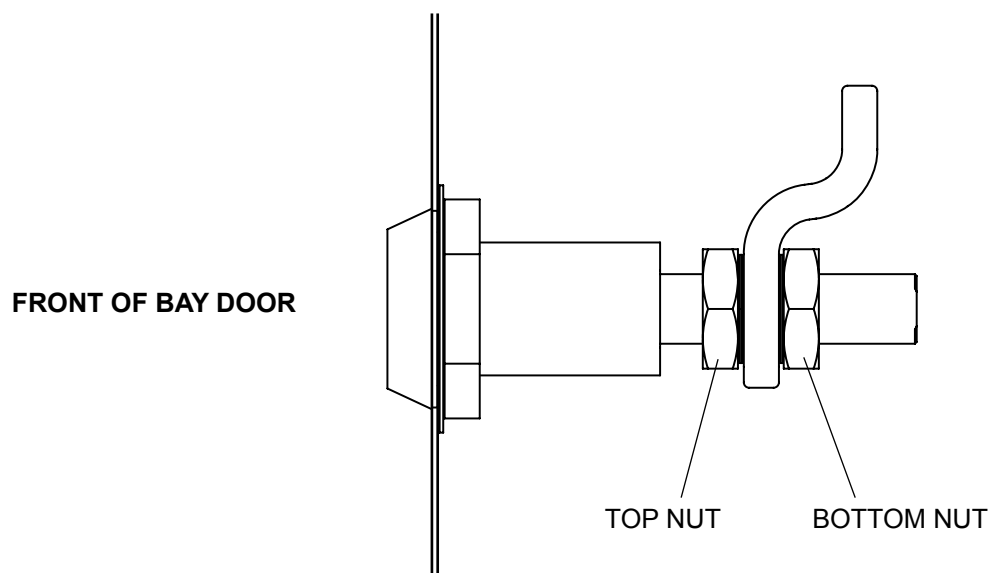
CAUTION

- Be careful not to pinch your fingers when opening and closing bay door.



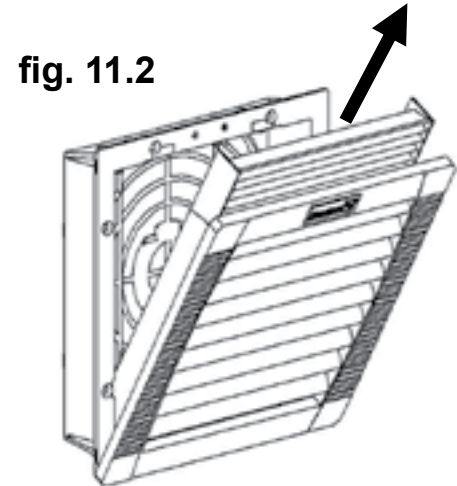
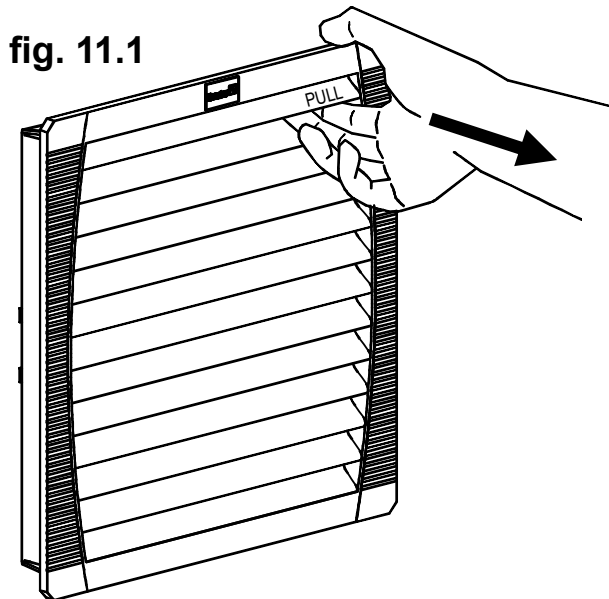
Door Lock Adjustment

9-1 To allow for a tighter seal, loosen top nut of door locks 1/4" then tighten bottom nut of door locks against lock tab.
To allow for a more loose seal, loosen bottom nut of door locks 1/4" then tighten top nut of door locks against lock tab.



Fan Filter Replacment

- 11** Filterfan replacement filtermats are sold separately at www.filterfanusa.com, for Filterfan model PF 22000. Remove cover from Filterfan on side of enclosure assembly (A) as shown in figure 11.1. Remove and replace filtermat as shown in figure 11.2.



LIMITED FIVE-YEAR WARRANTY*

Peerless Industries, Inc. ("Peerless") warrants to original end-users of Peerless® products will be free from defects in material and workmanship, under normal use, for a period of five years from the date of purchase by the original end-user (but in no case longer than six years after the date of the product's manufacture). At its option, Peerless will repair or replace, or refund the purchase price of, any product which fails to conform with this warranty.

In no event shall the duration of any implied warranty of merchantability or fitness for a particular purpose be longer than the period of the applicable express warranty set forth above. Some states do not allow limitations on how long an implied warranty lasts, so the above limitation may not apply to you.

This warranty does not cover damage caused by (a) service or repairs by the customer or a person who is not authorized for such service or repairs by Peerless, (b) the failure to utilize proper packing when returning the product, (c) incorrect installation or the failure to follow Peerless' instructions or warnings when installing, using or storing the product, or (d) misuse or accident, in transit or otherwise, including in cases of third party actions and force majeure.

In no event shall Peerless be liable for incidental or consequential damages or damages arising from the theft of any product, whether or not secured by a security device which may be included with the Peerless® product. Some states do not allow the exclusion or limitation of incidental or consequential damages, so the above limitation or exclusion may not apply to you.

This warranty is in lieu of all other warranties, expressed or implied, and is the sole remedy with respect to product defects. No dealer, distributor, installer or other person is authorized to modify or extend this Limited Warranty or impose any obligation on Peerless in connection with the sale of any Peerless® product.

This warranty gives specific legal rights, and you may also have other rights which vary from state to state.

*This warranty does not cover corrosion or rust trails resulting from damaged paint or surface chipping which exposes raw metal to the elements. Surface corrosion from scratches, nicks and chips is not covered. Peerless Industries, Inc. establishes a warranty period of corrosion for one year for product manufactured or supplied by Peerless.

peerless-AV®

www.peerless-av.com

© 2016 Peerless Industries, Inc.