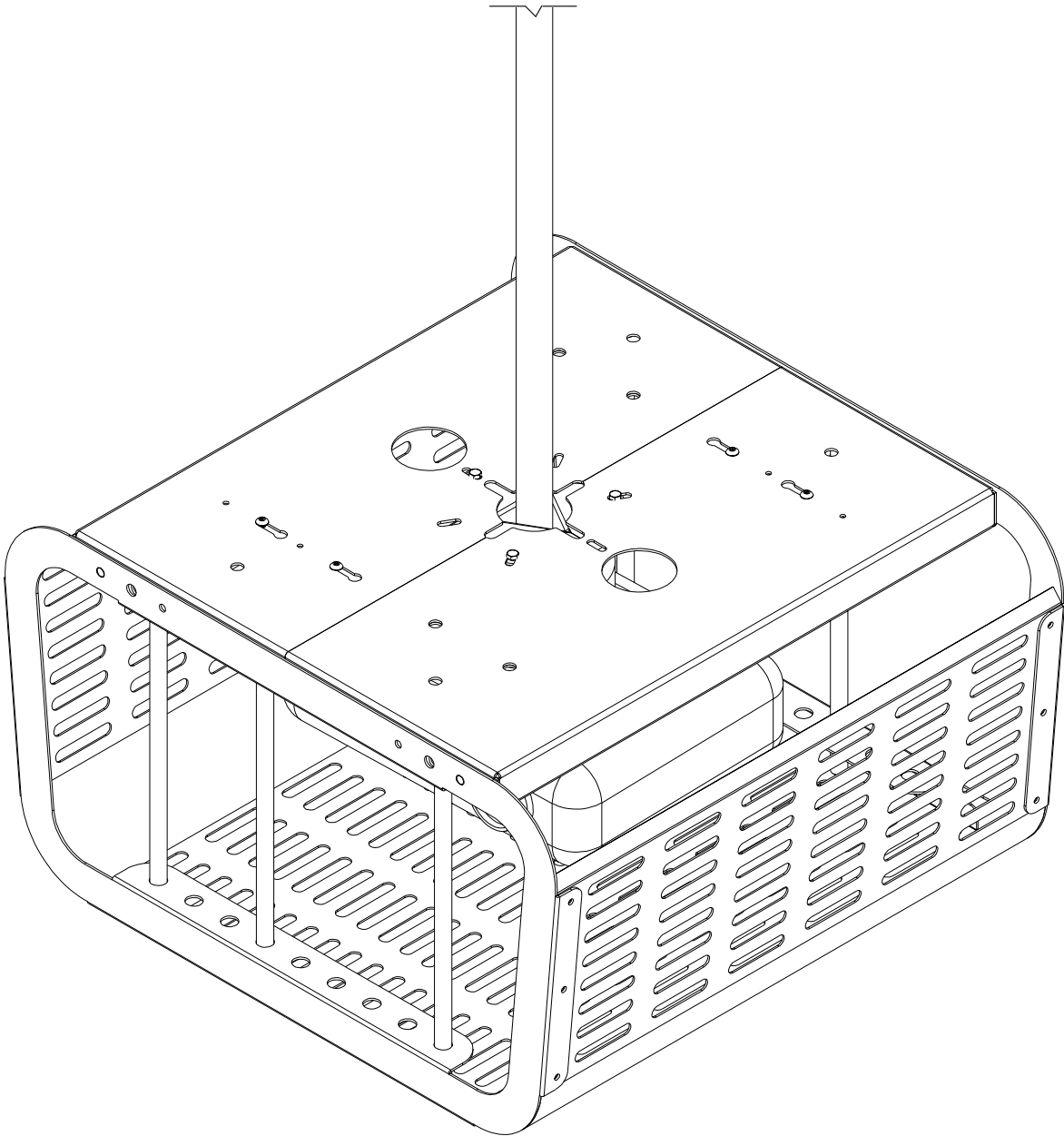


## Installation and Assembly: Projector Enclosure

---

Models: PE 1120, PE 1120-W



**Note:** Read entire instruction sheet before you start installation and assembly.

## **⚠ WARNING**

- Do not begin to install your Peerless product until you have read and understood the instructions and warnings contained in this Installation Sheet. If you have any questions regarding any of the instructions or warnings, please call Peerless customer care at 1-800-729-0307.
- This product should only be installed by a qualified professional.
- Make sure that the supporting surface will safely support the combined load of the equipment and all attached hardware and components.
- Always use an assistant or mechanical lifting equipment to safely lift and position equipment.
- Tighten screws firmly, but do not overtighten. Overtightening can damage the items, greatly reducing their holding power.

**IMPORTANT! Turn to the appropriate page for your ceiling installation.**

**Applications:**

<b>Suspended Ceiling</b> .....	<b>page 4</b>
<b>Extension Column</b> .....	<b>page 5</b>
<b>Flush Mount</b> .....	<b>page 6</b>

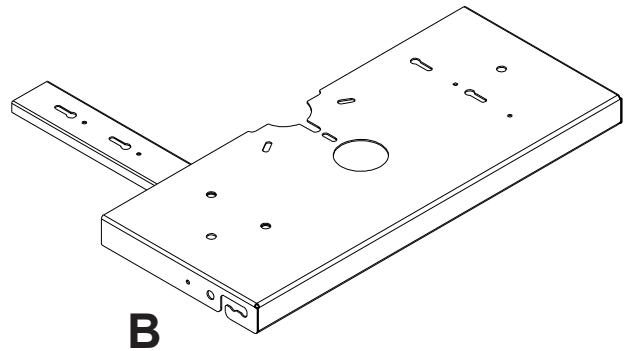
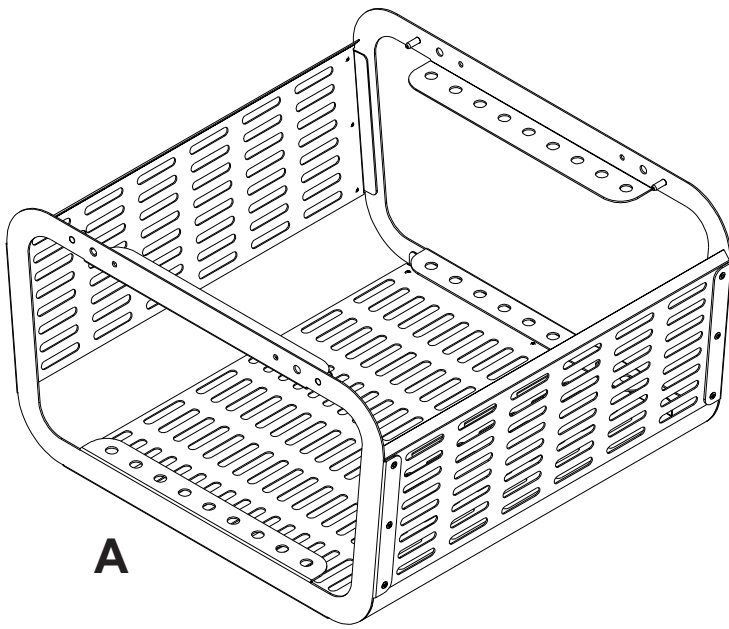
### **Tools Needed for Assembly**

- open-end 8 mm wrench
- open-end 1/2" wrench

*For customer care call (800) 729-0307 or (708) 865-8870.*

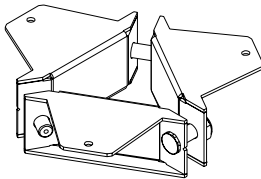
# Parts List

Description	Qty.	PE 1120	PE 1120-W
		Part #	Part #
<b>A</b> projector cage	1	055-1690	055-2690
<b>B</b> top plate	2	055-0695	055-0697
<b>C</b> pole clamp	1	055-0694	055-0696
<b>D</b> .5" dia. X 12" rod	8	580-1163	580-2163
<b>E</b> M5 x 10 mm penta pin screw	4	505-9010	500-2001
<b>F</b> M5 x 1" penta pin driver	1	520-9249	520-9249
<b>G</b> 5/16-18 nylock nut	1	530-1009	530-1009
<b>H</b> M5 x 10 mm hex screw	3	520-1324	520-2324



**A**

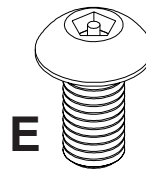
**B**



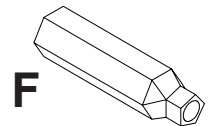
**C**



**D**



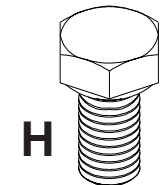
**E**



**F**



**G**



**H**

## Suspended Ceiling Application

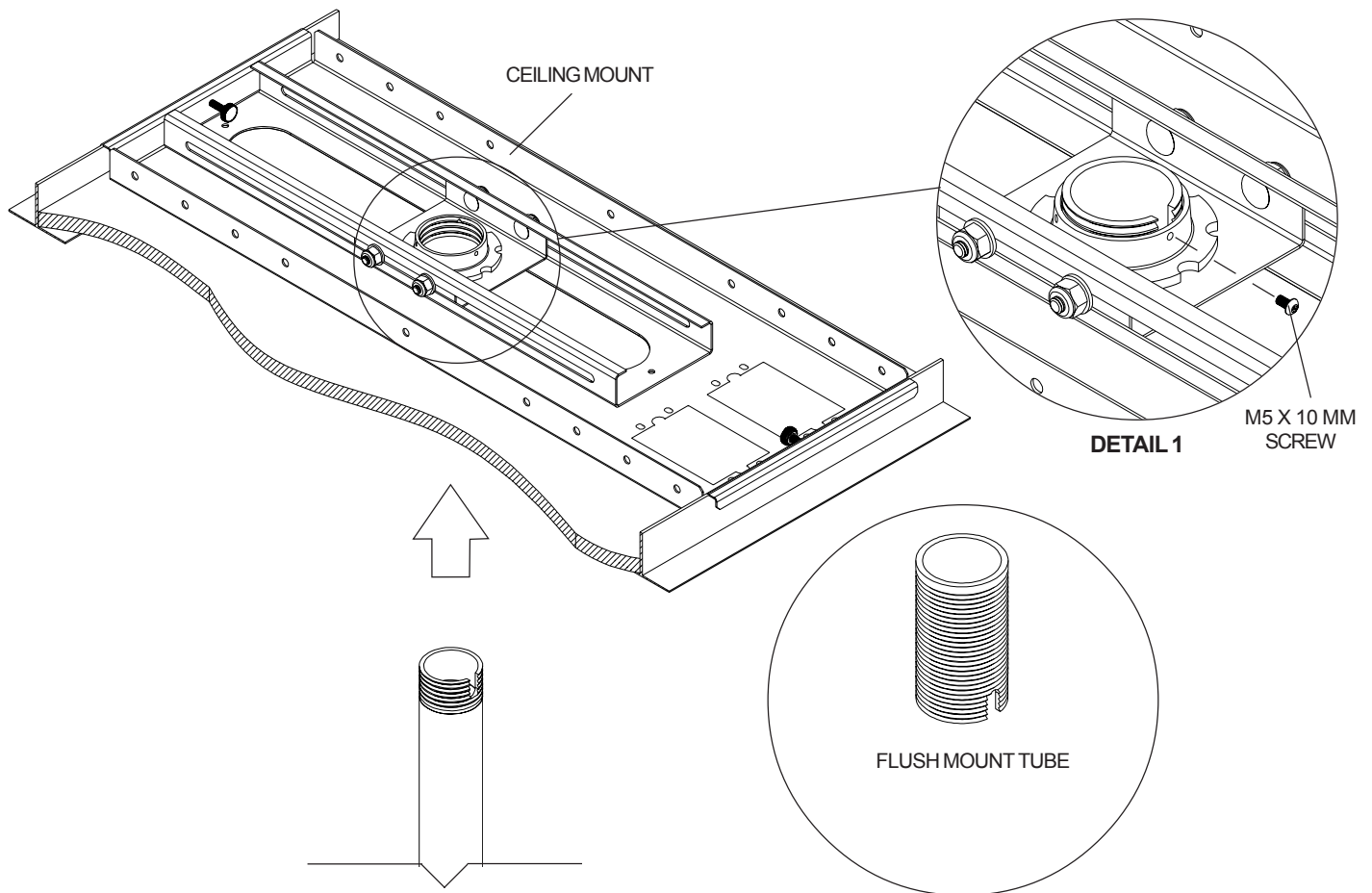
### ⚠ WARNING

- Make sure that the supporting surface will safely support the combined load of the equipment and all attached hardware and components.

**Note:** If flush mount tube has been installed in suspended ceiling mount, remove it before proceeding with this step.

- 1** From the bottom up, thread extension column (EXT 006, not included) up through retaining collar in adjustable collar mount plate. Align notch in extension column with hole in collar and fasten using M5 x 10 mm security screw as shown in **detail 1**.

*continue to extension column application on page 5 for attachment of projector enclosure...*



# Extension Column Application

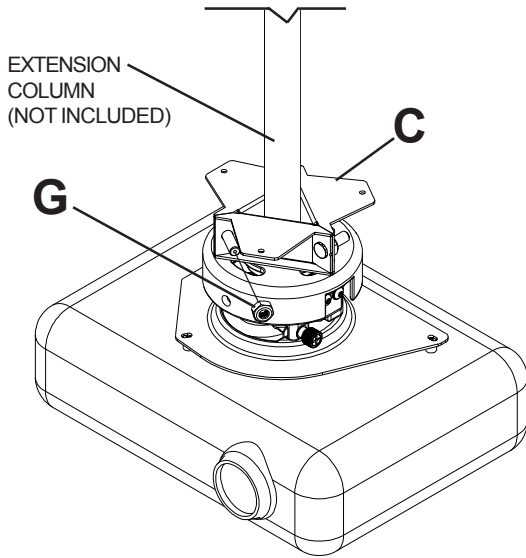
## ⚠ WARNING

- Make sure that the supporting surface will safely support the combined load of the equipment and all attached hardware and components.

**Note:** Refer to projector mount instruction sheet for attachment of projector mount to extension column.

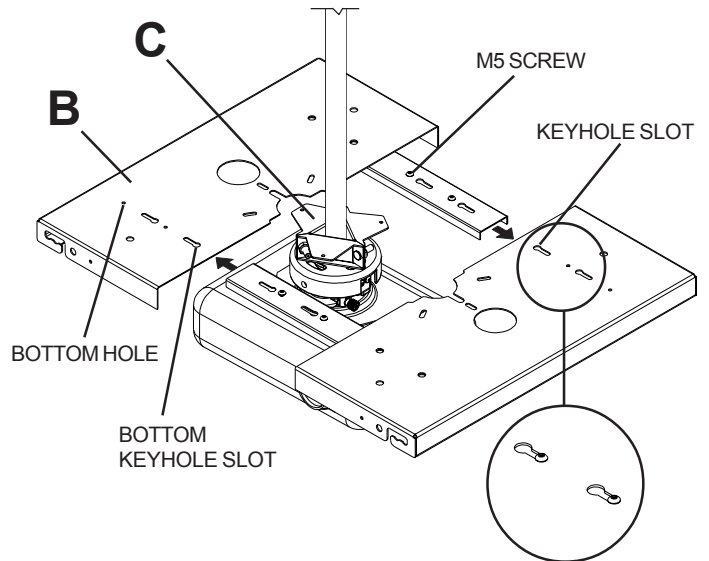
- 1** Wrap pole clamp (**C**) around extension column (not included) and secure with nylock nut (**G**). Hand tighten all nylock nuts on pole clamp (**C**).

**Note:** Pole clamp (**C**) will work with 1" to 1-1/2" NPT pipe.



- 1-1** Slide top plates (**B**) together over pole clamp (**C**). Slide M5 screws into keyhole slots and tighten as shown in detail 1.

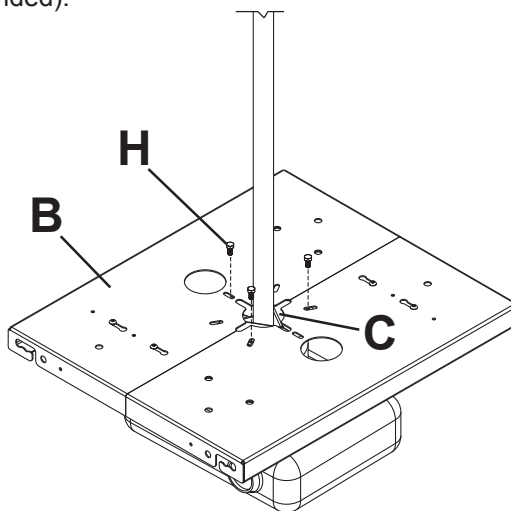
**Note:** If M5 screws are inaccessible from the top, remove them from top plates and insert from the bottom using bottom holes and keyhole slots.



- 1-2** Align slots in top plates (**B**) with holes in pole clamp (**C**) and insert three M5 x 10 mm hex screws (**H**). Tighten screws using open-end 8 mm wrench (not provided).

- 1-3** Rotate top plates (**B**) and pole clamp (**C**) until top plates are parallel with projector. Then, tighten nylock nuts on pole clamp using an open-end 1/2" wrench (not provided).

*continue to step 2 on page 7...*



# Flush Mount Application

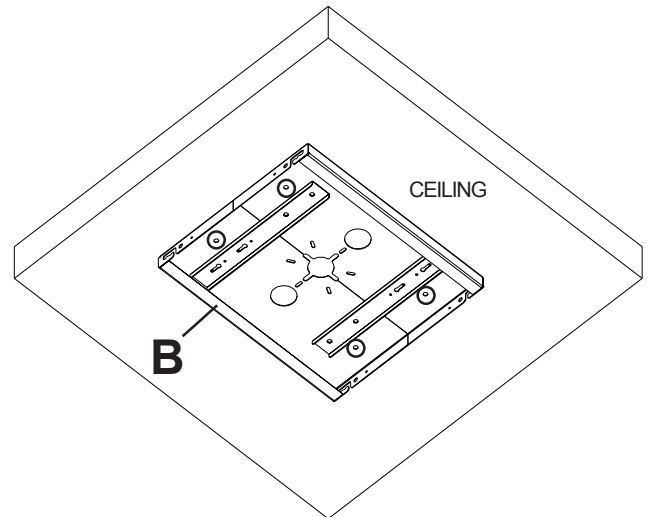
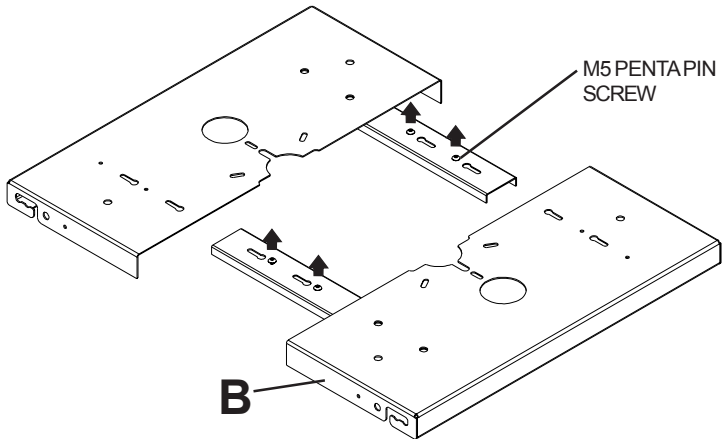
## ⚠ WARNING

- Make sure that the supporting surface will safely support the combined load of the equipment and all attached hardware and components.

**1** Remove M5 penta pin screws from top plates (B).

**1-1** Attach top plates (B) to ceiling using outer holes indicated in figure 1.1.

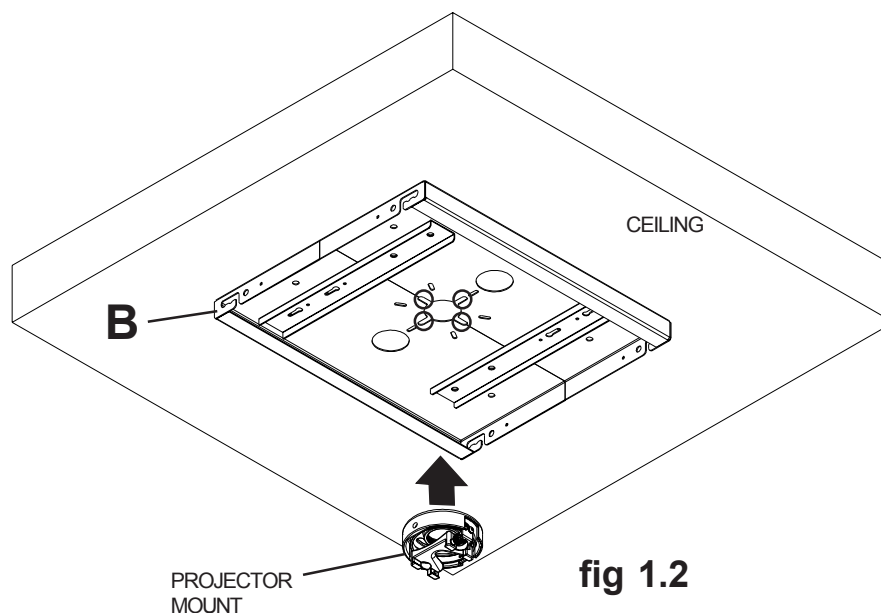
**Note:** It is the responsibility of the installer to provide fasteners appropriate for the mounting surface.



**fig 1.1**

**Note:** Refer to projector mount instruction sheet for attachment of projector mount to ceiling.

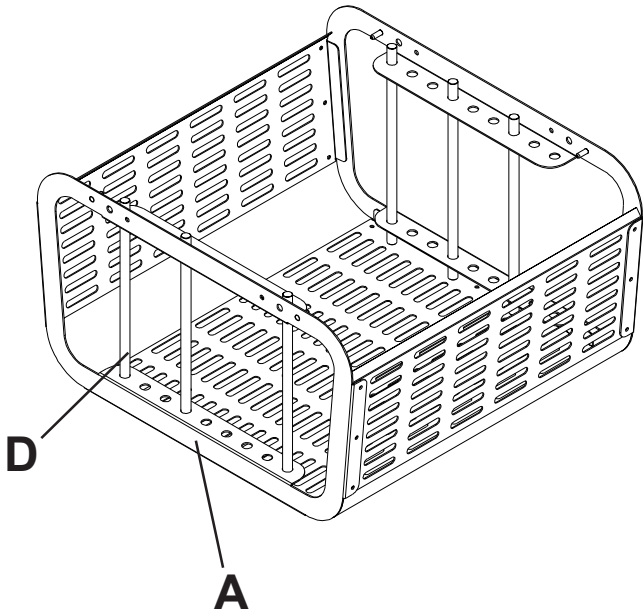
**1-2** Following projector mount instructions for flush mount applications, attach projector mount to ceiling through slots indicated in figure 1.2.



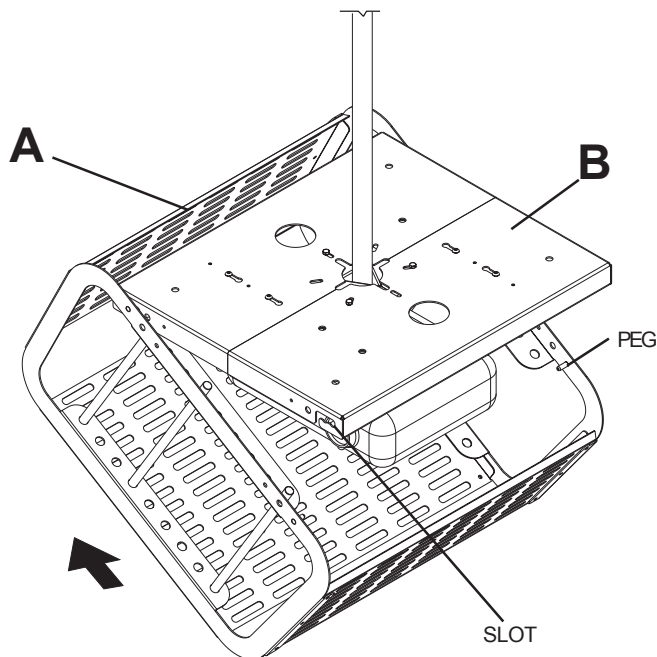
**fig 1.2**

- 2** Slide rods (**D**) into holes of projector cage (**A**). Use as many rods as necessary to prevent projector from being removed from projector cage.

**Note:** Position rods where projector lens will not be obstructed.



- 3** Insert pegs on one side of projector cage (**A**) into slots of one top plate (**B**) and slide all the way to last notch. Insert pegs on other side of projector cage into slots of other top plate and slide over until all pegs are resting on middle notches of slots.



- 3-1** Secure projector cage (**A**) to top plates (**B**) using four M5 x 10 mm penta pin screws (**E**). Tighten screws using penta pin driver (**F**).

