



This product is intended for use with UL Listed products and must be installed by a qualified professional installer.

Maximum UL Load Capacity: 50 lb (27 kg)

Read instruction sheet before you start installation and assembly.

⚠ WARNING

- Make sure that the supporting surface will safely support the combined load of the equipment and all attached hardware and components.

IMPORTANT! Be sure not to touch the projector while tightening the set screw on the ball and socket mount. This may cause the image to be unaligned when you let go.

IMPORTANT! Turn to the appropriate page for your ceiling installation.

Applications:

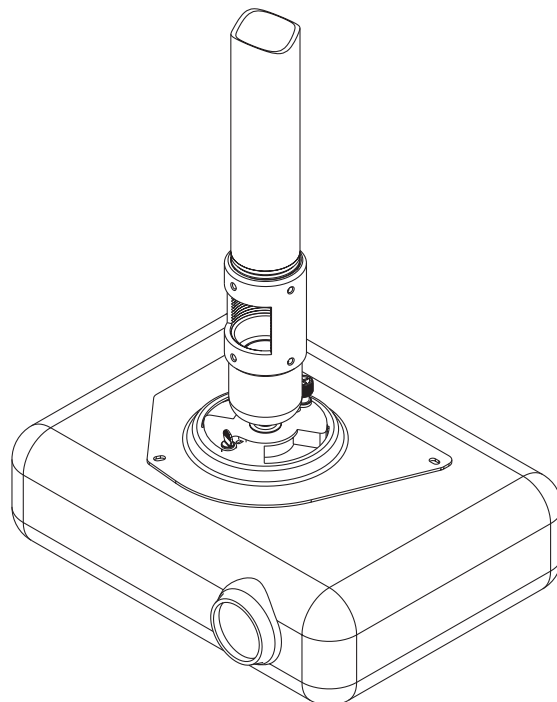
Flush Mount page 6

Extension Column page 7

Installations:

To Wood Joist Finished Ceilings,
Exposed Wood Joists, or Wood Beam Ceilings page 4

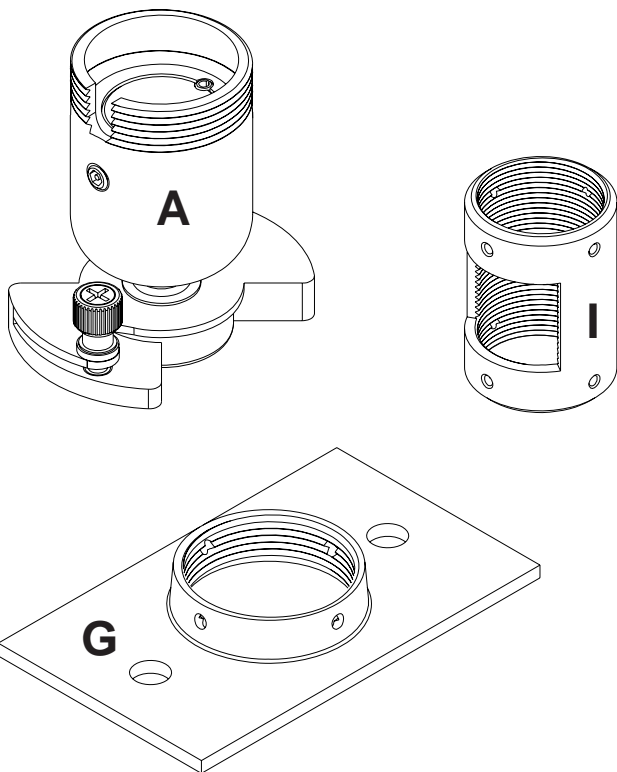
To Concrete Ceilings page 5



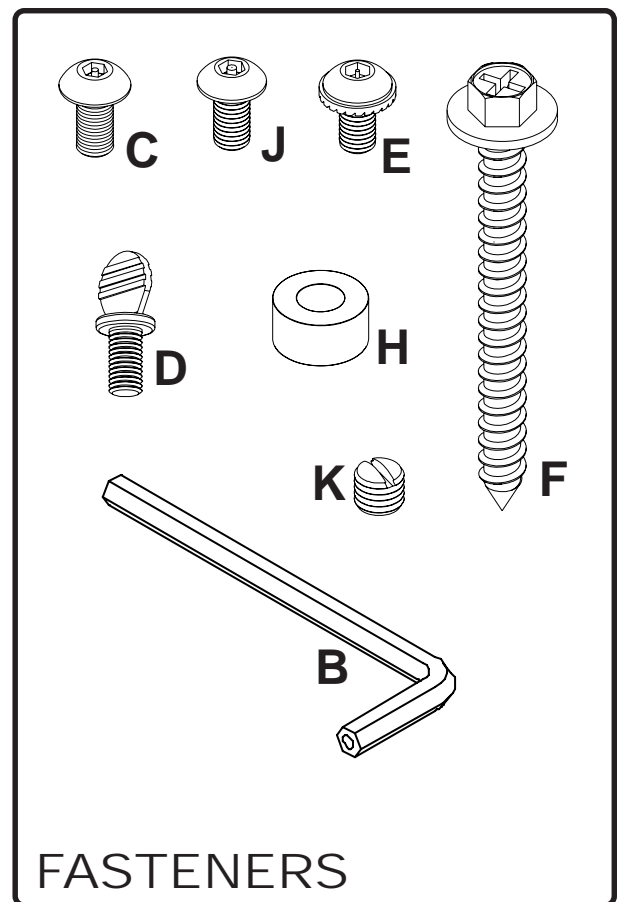
Before you start check the parts list to insure all of the parts shown are included.

Parts List

Description	Qty.	Black	Silver
		Part Number	Part Number
A ball and socket mount	1	055-0011	055-0016
B 4 mm security allen wrench	1	560-9646	560-9646
C M5 x .8 x 10 mm socket pin type F screw	1	520-1164	520-2031
D #10-32 x 3/8" spade thumb screw	1	560-1107	560-2107
E #10-32 x 3/8" serrated washer head socket pin screw	1	520-1151	520-2151
F #14 x 2.5 phillips hex head wood screw	2	5S1-015-C03	5S1-015-C04
G ceiling plate	1	580-1042	580-4042
H .25" ID x .56" OD x .26 spacer	2	590-1050	590-2071
I extension column connector with cord management	1	580-1025	580-4025
J #10-32 x 3/8" socket pin screw	2	520-1084	520-2084
K #10-32 x 3/16" slotted set screw	3	520-1187	520-2187



Note: Actual parts may appear slightly different than illustrated.



FASTENERS

Installation To Wood Joist Finished Ceilings, Exposed Wood Joists, or Wood Beam Ceilings

- 1 Drill two 5/32" (4 mm) dia. holes to a minimum depth of 2.5" (64 mm). Attach ceiling plate (G) with two #14 x 2.5" (6 mm x 65 mm) wood screws (F) as shown using 3/8" (10 mm) socket wrench.

Skip to step 2.

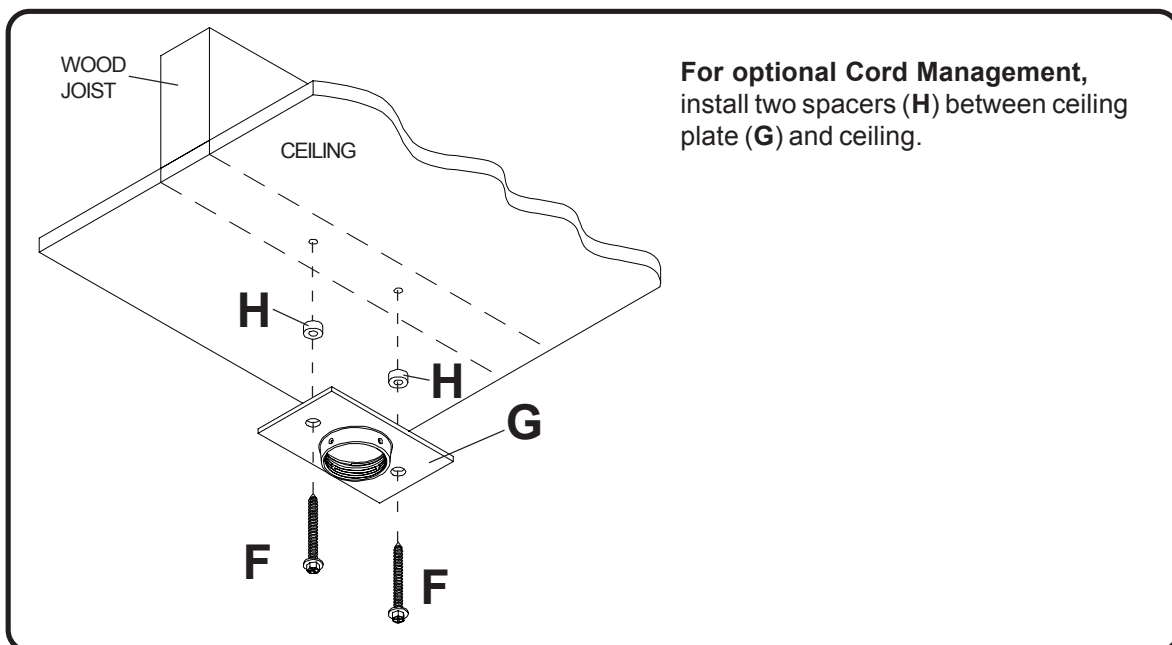
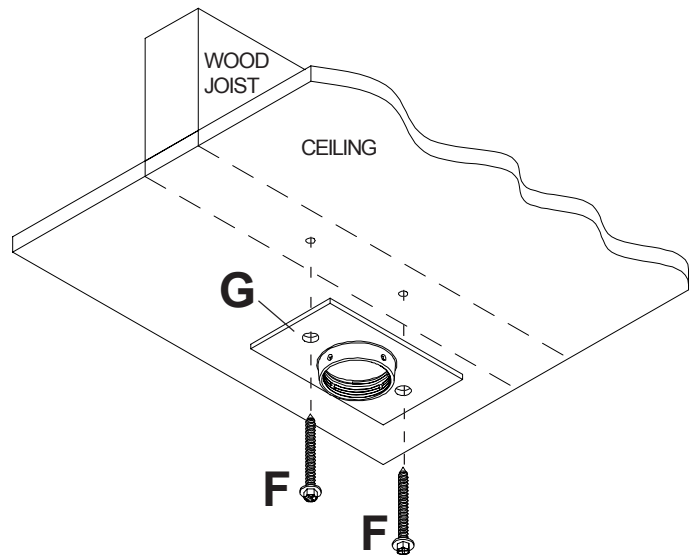
⚠ WARNING

- Tighten wood screws (F) so that wall plate (G) is firmly attached, but do not overtighten. Overtightening can damage the screws, greatly reducing their holding power.
- Never tighten in excess of 80 in • lb (9 N.M.).
- Make sure that mounting screws are anchored into the center of the studs. The use of an "edge to edge" stud finder is highly recommended.

⚠ WARNING

- It is the responsibility of the installer to verify that the supporting surface will safely support the combined load of all attached hardware and components.

IMPORTANT: Be sure to drill holes into the joist CENTER!



For optional Cord Management, install two spacers (H) between ceiling plate (G) and ceiling.

⚠ WARNING

- When installing Peerless wall mounts on concrete, verify that you have a minimum of 1 5/8" of actual concrete surface in the 1/4" diameter hole to be used for the concrete anchors. Do not drill into mortar joints! Concrete must meet ASTM C-90 specifications.
- Concrete must be 2000 psi density minimum. Lighter density concrete may not hold concrete anchor.
- Make sure that the supporting surface will safely support the combined load of the equipment and all attached hardware and components.
- Never exceed the Maximum UL Load Capacity of 50 lb (27 kg).

Installation to Concrete Ceilings

ACC 203 (Alligator® concrete anchors) are recommended.

- 1** Drill two 1/4" (6 mm) dia. holes to a minimum depth of 2.5" (64 mm). Attach ceiling plate (**G**) using two concrete anchors and #14 x 2.5" wood screws (**F**) as shown in **Illustration A** and **1**, **2**, and **3** (below). Tighten all fasteners.

IMPORTANT: It is the responsibility of the installer to verify that the ceiling will safely support the combined load of all attached hardware and components.

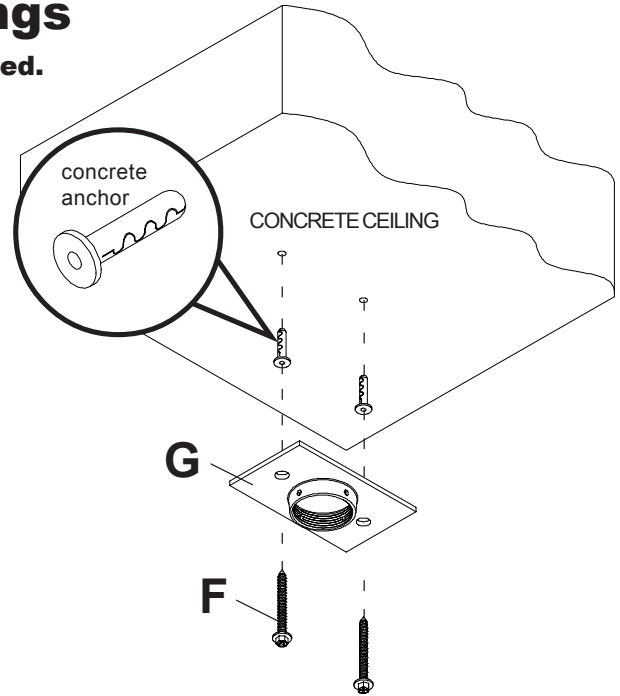
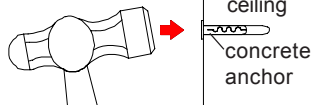


Illustration A

⚠ WARNING

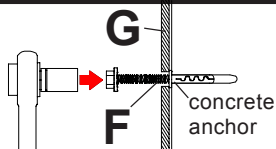
- Tighten wood screws so that wall plate is firmly attached, but do not overtighten. Overtightening can damage the screws, greatly reducing their holding power.
- Never tighten in excess of 80 in • lb (9 N.M.).
- Make sure that mounting screws are anchored into the center of the studs. The use of an "edge to edge" stud finder is highly recommended.

1



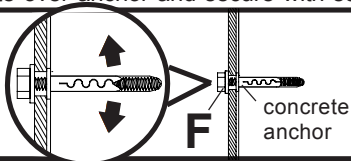
Drill hole and insert anchor

2



Place ceiling plate over anchor and secure with screw

3



After repeating step one tighten all fasteners

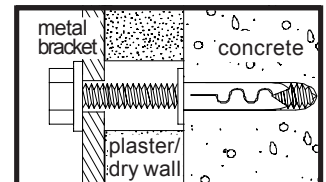
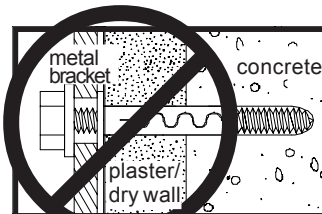
⚠ WARNING

- **FOR DIRECT ATTACHMENT TO LOAD BEARING CONCRETE ONLY!** Concrete expansion anchors are **not** intended for attachment to concrete ceilings covered with a layer of plaster, drywall, or other finishing material. If mounting to concrete ceiling covered with plaster / drywall is unavoidable, plaster / drywall must be counterbored as shown below.

INCORRECT

CORRECT

CUTAWAY VIEW

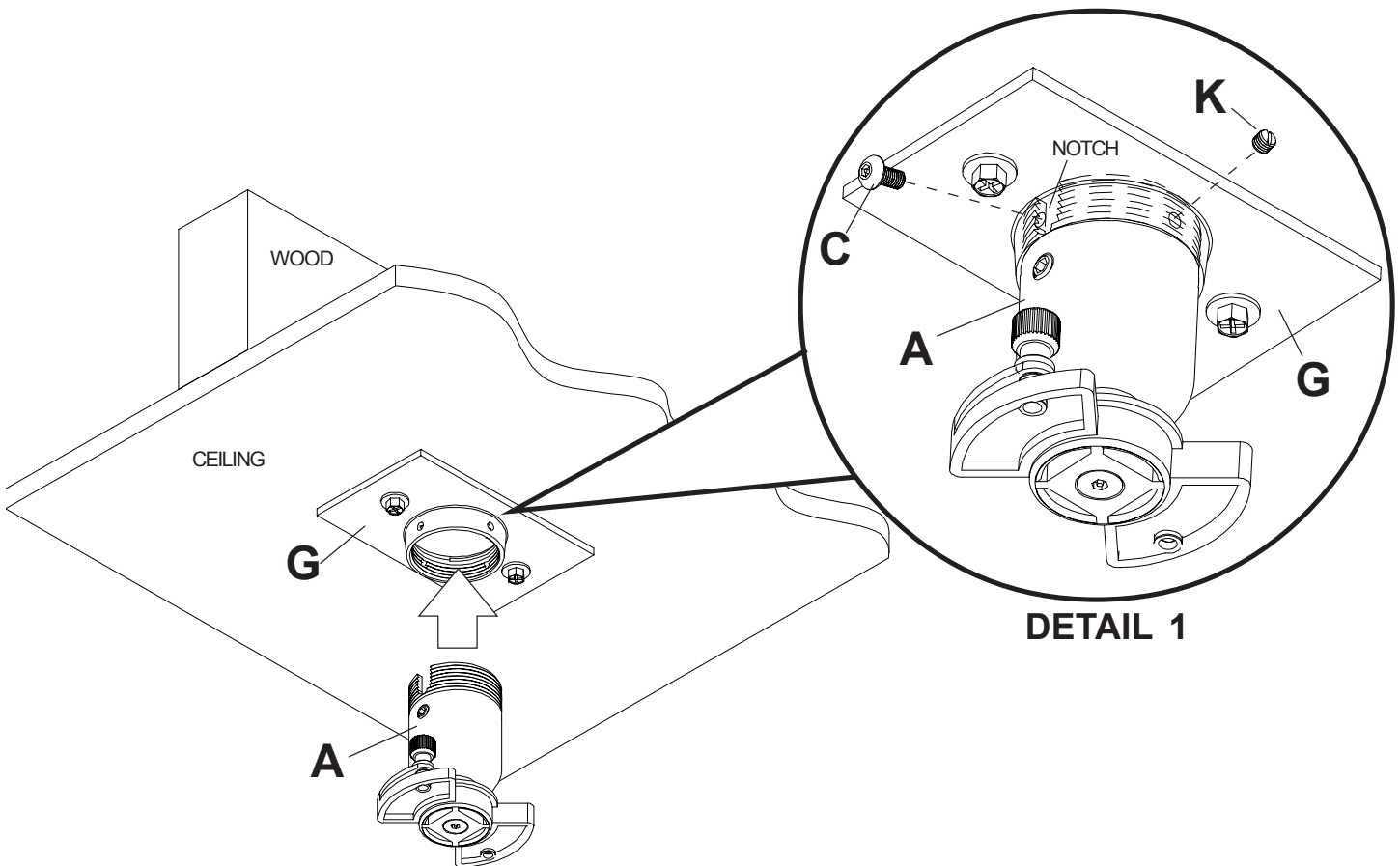


Flush Mount Application

2 Screw ball and socket mount (A) into ceiling plate (G). Align the notch with one of the four holes of the ceiling plate (G) and secure ball and socket mount (A) with a M5 x 10 mm socket pin screw (C) using security allen wrench (B) as shown in **detail 1**.

Note: Slotted set screw (K) is used to jam against the threads of the ball and socket mount to prevent any excess movement of the ball and socket mount (A). Do not overtighten screw; overtightening screw will damage threads making it difficult to separate the products.

Skip to step 3.



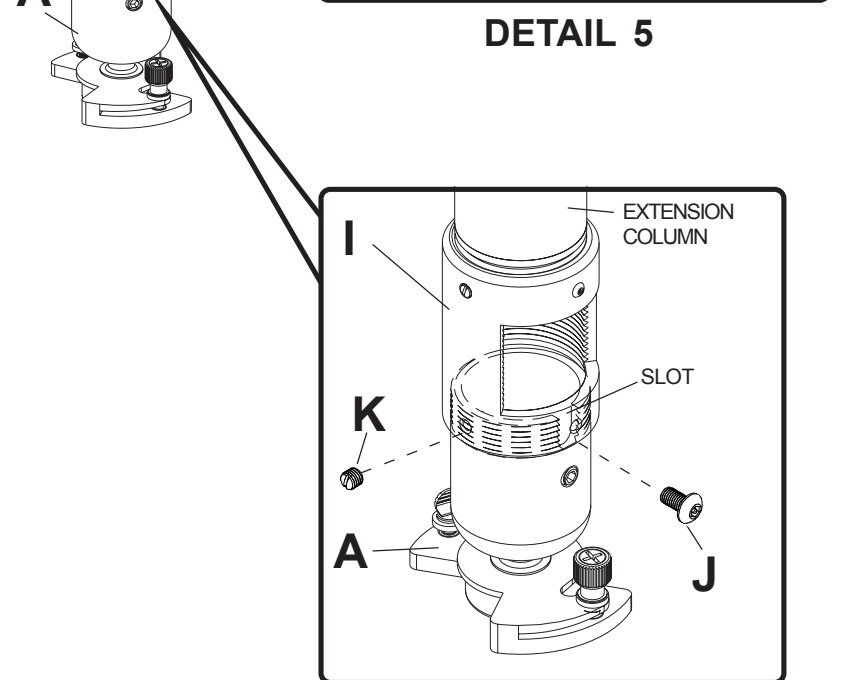
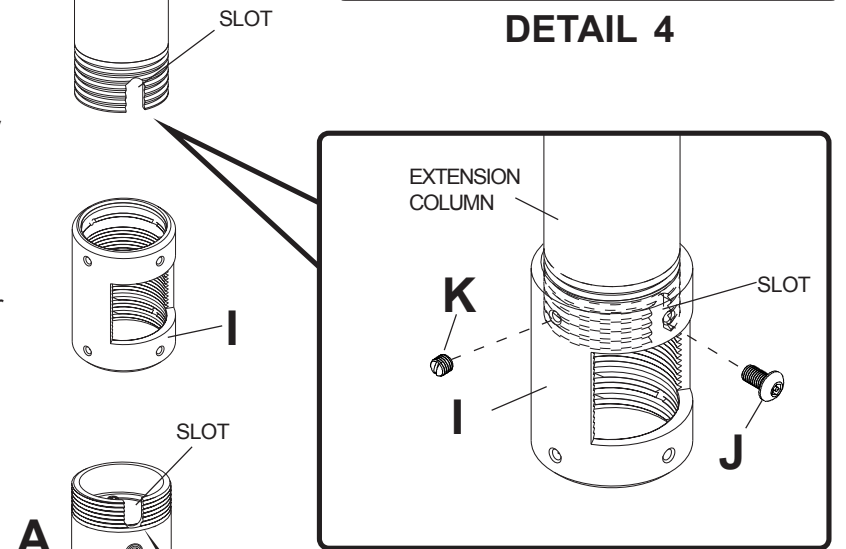
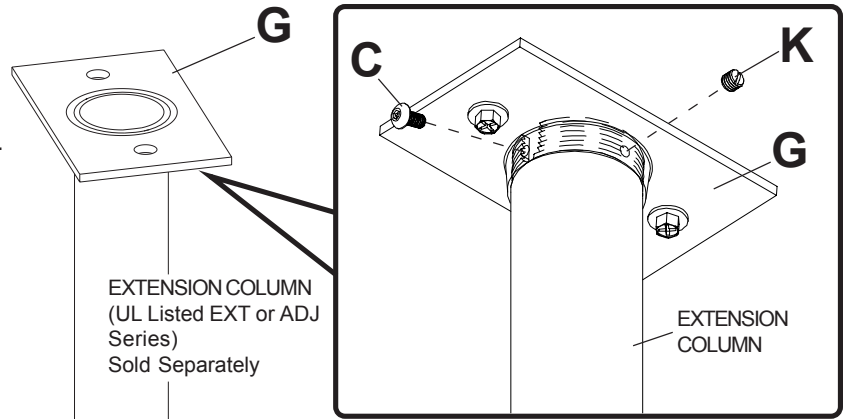
Installation to Extension Column

2 Screw extension column to ceiling plate (**G**). Align the notch with one of the four holes in the ceiling plate (**G**) and secure extension column with a M5 x 10 mm socket pin screw (**C**) using security allen wrench (**B**). **See detail 4.**

Screw extension column connector (**I**) to extension column. Align slot in extension column with one of the top holes in extension column connector (**I**). Insert and tighten one #10-32 x 3/8" socket pin screw (**J**) through extension column connector (**I**) into slot on extension column using security allen wrench (**B**). **See detail 5.**

Screw ball and socket mount (**A**) to extension column connector (**I**). Align slot in ball and socket mount (**A**) to one of the bottom holes in extension column connector (**I**). Insert and tighten one #10-32 x 3/8" socket pin screw (**J**) through extension column connector into slot in ball and socket mount (**A**) using security allen wrench (**B**). **See detail 6.**

Note: Slotted set screws (**K**) are used to jam against the threads of each connecting joint to prevent any excess movement. Do not overtighten screws; overtightening screws will damage threads making it difficult to separate the products.

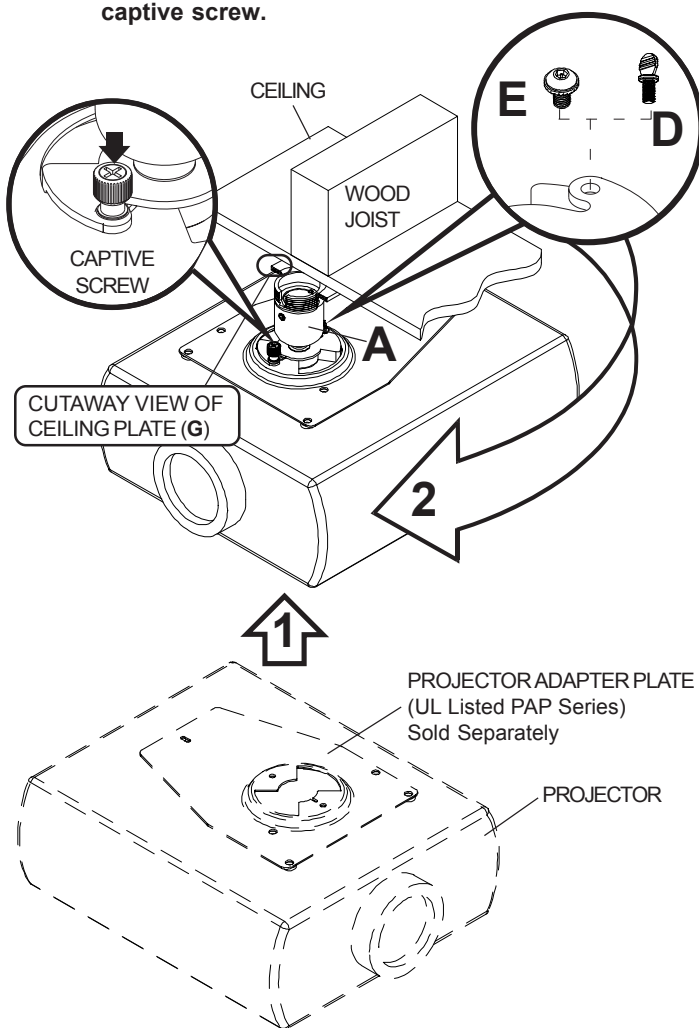


Note: The projector adapter plate and projector you are installing may differ in appearance from the sample illustrated below.

3 Attach projector, with adapter plate already on it, to the ball and socket mount (A) by inserting the ball and socket mount (A) into the adapter plate connection and twisting until the adapter plate will no longer turn (about 75°). The spring loaded captive screw should line up with a corresponding hole on the adapter plate (this should line up automatically when the two are connected). Push down and tighten the spring loaded captive screw to secure the adapter plate to the mount. If not using the optional security feature, fasten thumb screw (D) in the hole opposite the spring loaded captive screw.

OPTIONAL: For Armor Lock™ security, insert serrated washer head socket pin security screw (E) in the hole opposite the spring loaded captive screw. Tighten with security allen wrench (B). This will prevent the projector from being removed.

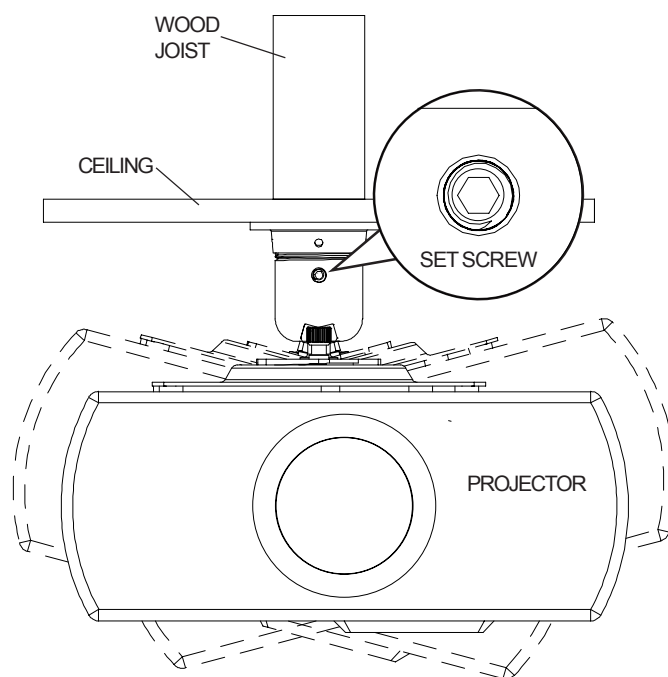
Note: Be sure to only use the #10-32 x 3/8" screw (E) (or the thumb screw (D)) opposite the spring loaded captive screw.



4 To adjust roll, pitch, and yaw loosen the set screw (shown below) using security allen wrench (B) or standard 4 mm allen wrench. You should be able to just slightly loosen the screw so that your adjustments can be set without having to hold the projector. Move projector to desired position and slowly tighten set screw.

Note: Be sure not to touch the projector while tightening the set screw. This may cause the image to be unaligned when you let go.

IMPORTANT: Allen wrench is your key for projector removal. Store it in a safe place.



Peerless offers several Projector Mounts to fit various projectors. New Projector Mounts are continually being developed to meet the demands of a growing projector market. To find out if a mount is available for your particular projector, call Peerless customer service at 1-800-729-0307 or 1-708-865-8870.

⚠ WARNING

- Do not lift more weight than you can handle! Use additional man power or mechanical lifting equipment to safely handle placement of the projector!