

Installation and Assembly - Adapter Bracket for VESA® 400 x 400 Screens

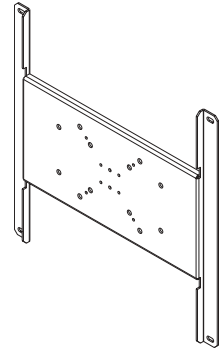
Model: PLP-V4X4

IMPORTANT! Read instruction sheet before you start installation and assembly.

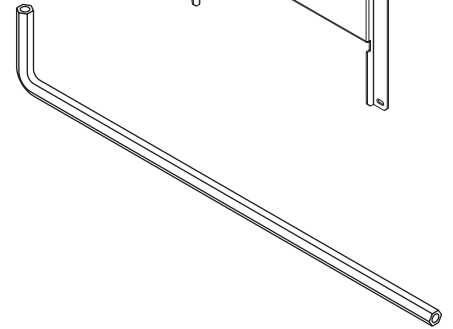
Before you start make sure all parts listed are included with your product.

Parts List		
Description	Qty.	Part #
AA adapter bracket	1	201-1600
BB M5 x 10 mm socket pin screw	4	520-1063
CC M6 x 12 mm serrated washer head socket pin screw	4	510-1050
DD M8 x 15 mm socket pin screw	4	520-1068
EE 1/4" (6mm) flat washer	4	540-9440
FF 5/32" (4mm) security allen wrench	1	560-9646

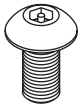
AA



FF

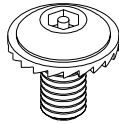


BB

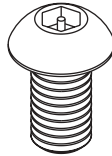


Used with specified mounts only.

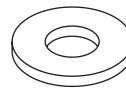
CC



DD



EE



Some parts may appear slightly different than illustrated.

⚠ WARNING

- Do not overtighten. Overtightening may cause permanent damage to the screen. Torque to 26-35 in • lb (30-40 kg • cm).

- Using 5/32" (4mm) security allen wrench (FF), attach adapter plate (AA) to screen using either four M8 x 15 mm screws (DD) or four M6 x 12 mm serrated washer head socket pin screws (CC) and four 1/4" flat washers (EE).

NOTE: Screw must make at least three full turns into the mounting hole and fit snug into place. If you have any questions, please call Peerless customer care at **1-800-865-2112**.

