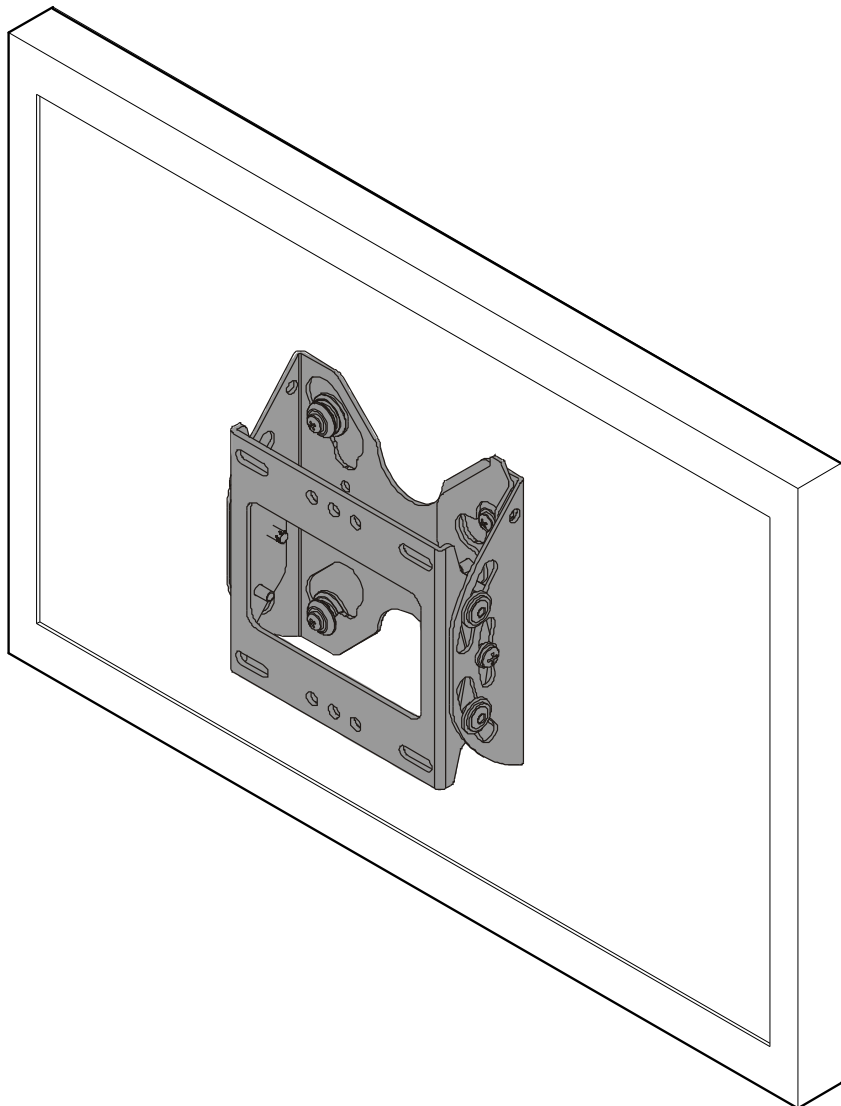


**plura**®

# Installation Instructions

## PBM-WMS



**Small Flat Panel  
Tilt Wall Mount for  
17", 19", 20" 24"  
Monitors**

## PBM-WMS Installation Instructions



**WARNING:** Failure to read, thoroughly understand, and follow all instructions can result in serious personal injury, damage to equipment, or voiding of factory warranty! It is the installer's responsibility to make sure all components are properly assembled and installed using the instructions provided.

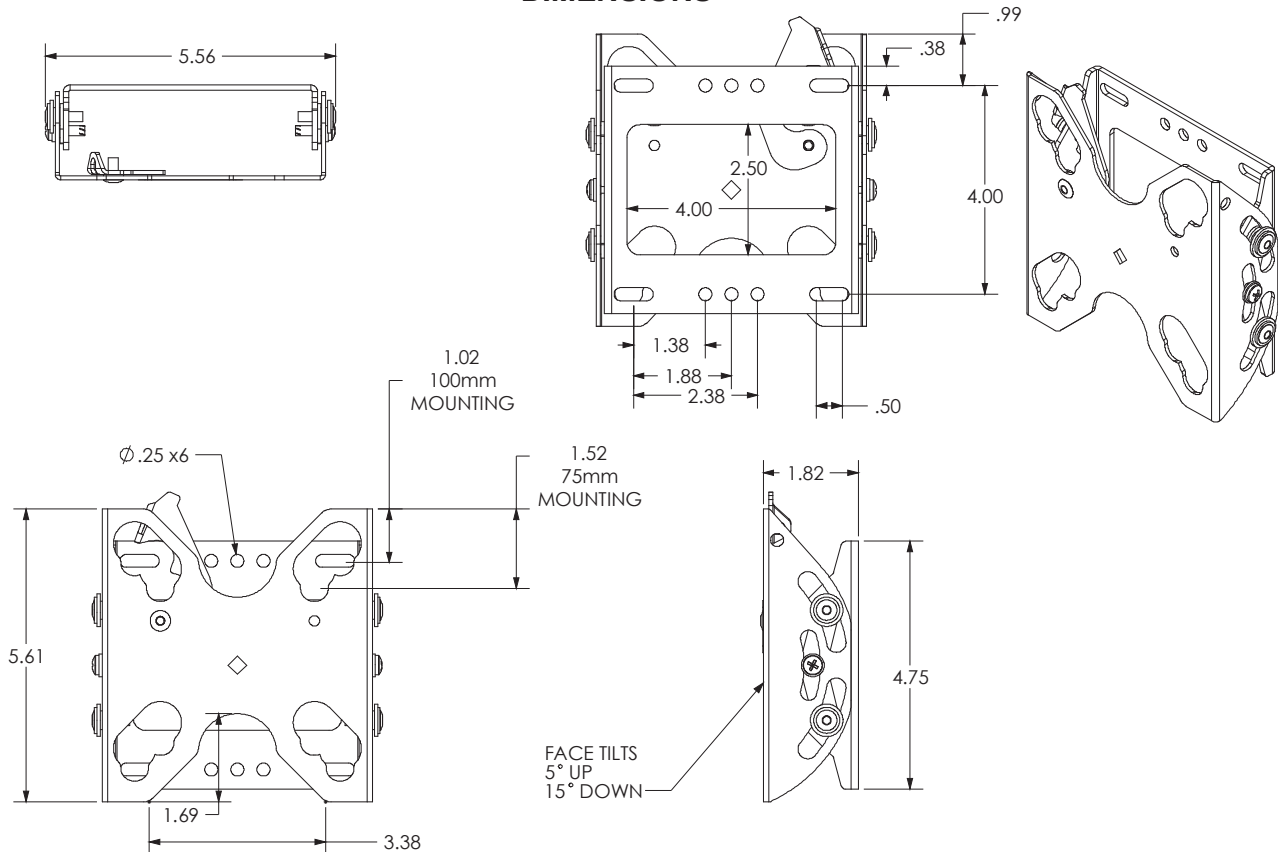


**WARNING:** Failure to provide adequate structural strength for this component can result in serious personal injury or damage to equipment! It is the installer's responsibility to make sure the structure to which this component is attached can support five times the combined weight of all equipment. Reinforce the structure as required before installing the component. The wall to which the mount is being attached may have a maximum drywall thickness of 5/8" (1.6cm). Do not install drywall anchors into the seam between drywall pieces.



**WARNING:** Exceeding the weight capacity can result in serious personal injury or damage to equipment! It is the installer's responsibility to make sure the combined weight of all components attached to the mount does not exceed 45 lbs (20.4 kg) for wood stud installation **OR** 30 lbs (13.6 kg) for drywall installation. Use with products heavier than the maximum weight indicated may result in collapse of the mount and its accessories causing possible injury.

### DIMENSIONS



## PBM-WMS Installation Instructions

### LEGEND

	<b>Tighten Fastener</b>
	Apretar elemento de fijación
	Befestigungsteil festziehen
	Apertar fixador
	Serrare il fissaggio
	Bevestiging vastdraaien
Serrez les fixations	

	<b>Pencil Mark</b>
	Marcar con lápiz
	Stiftmarkierung
	Marcar com lápis
	Segno a matita
	Potloodmerkteken
Marquage au crayon	

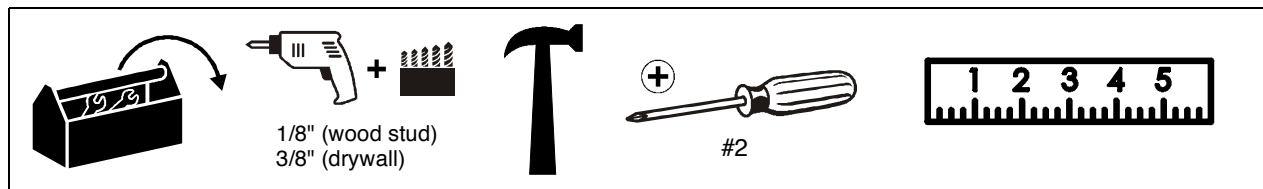
	<b>Loosen Fastener</b>
	Aflojar elemento de fijación
	Befestigungsteil lösen
	Desapertar fixador
	Allentare il fissaggio
	Bevestiging losdraaien
Desserrez les fixations	

	<b>Drill Hole</b>
	Perforar
	Bohrloch
	Fazer furo
	Praticare un foro
	Gat boren
Percez un trou	

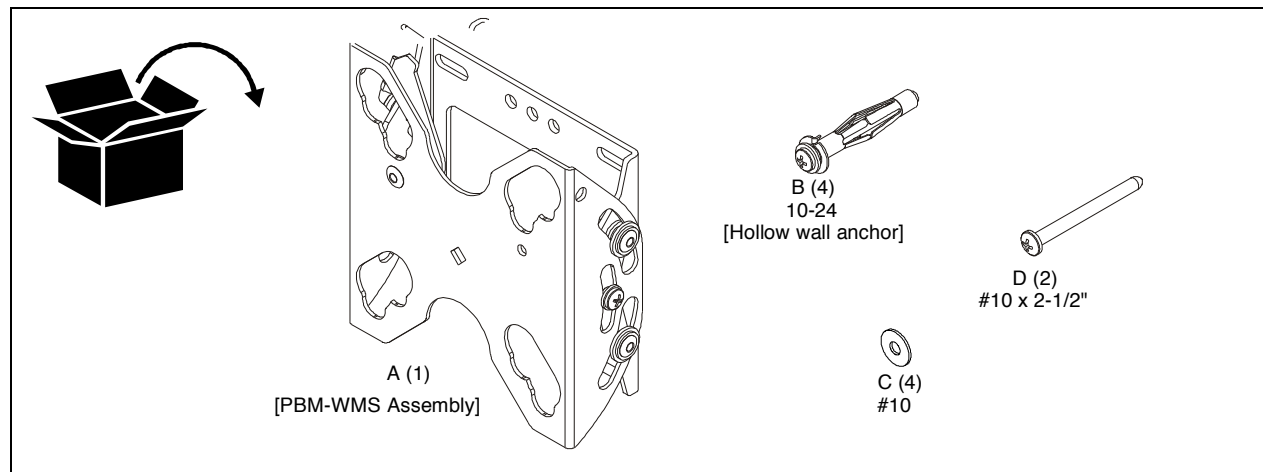
	<b>Phillips Screwdriver</b>
	Destornillador Phillips
	Kreuzschlitzschraubendreher
	Chave de fendas Phillips
	Cacciavite a stella
	Kruiskopschroevendraaier
Tournevis à pointe cruciforme	

	<b>Adjust</b>
	Ajustar
	Einstellen
	Ajustar
	Regolare
	Afstellen
Ajuster	

### TOOLS REQUIRED FOR INSTALLATION



### PARTS



## PBM-WMS Installation Instructions

### INSTALLATION

The PBM-WMS may be installed on either a single 2" x 4" wood stud, or on drywall (1/2" minimum thickness). The PBM-WMS allows a tilt range from 5° up to 15° down.

#### Install Mount to Single Wood Stud

1. Determine approximate mounting location, keeping in mind the display size.
2. Use a stud sensor to locate applicable wood stud. Mark location with a pencil.
3. Level PBM-WMS assembly (A) at desired height and, using it as a template, mark the location of upper and lower pilot holes. Ensure marks are in the center of wood stud.

**NOTE:** Mount can provide  $\pm 1/2$ " of lateral shift by using mount holes on either side of vertical center line.



**WARNING:** ELECTRICAL SHOCK HAZARD! Drilling into electrical wires or cables can cause DEATH or SERIOUS PERSONAL INJURY! ALWAYS make certain area behind mounting surfaces is free of electrical wires and cables before drilling or installing mount fasteners.

4. Drill 1/8" pilot holes. Ensure pilot holes are straight.
5. Fasten PBM-WMS to wood stud using two #10 x 2-1/2" Phillips head screws (D) through two #10 washers (C), PBM-WMS (A), and drywall (not shown) and install into pilot holes. (See Figure 1)

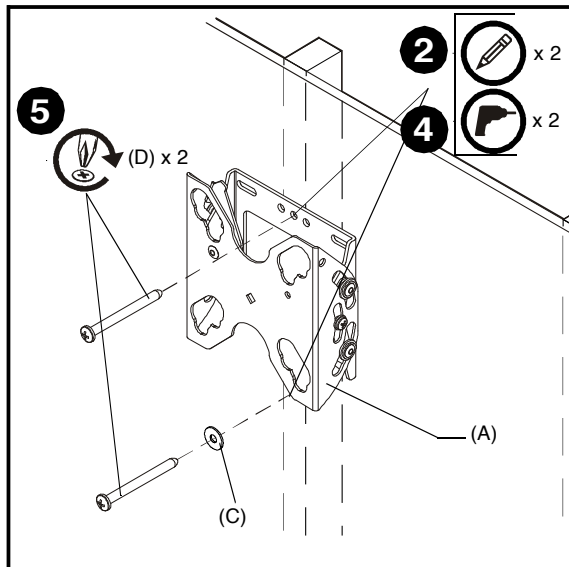


Figure 1



#### Install Mount to Drywall

**WARNING:** Drywall must be a minimum thickness of 1/2" and a maximum thickness of 5/8". Do not install drywall anchors into the seam between drywall pieces.

1. Determine approximate mounting location, keeping in mind the display size.

2. Level PBM-WMS assembly (A) at desired height and, using it as a template, mark the location of the four anchor holes (one in each corner slot).



**WARNING:** ELECTRICAL SHOCK HAZARD! Drilling into electrical wires or cables can cause DEATH or SERIOUS PERSONAL INJURY! ALWAYS make certain area behind mounting surfaces is free of electrical wires and cables before drilling or installing mount fasteners.

3. Drill 3/8" anchor holes. Ensure holes are straight and completely through drywall. (See Figure 2)

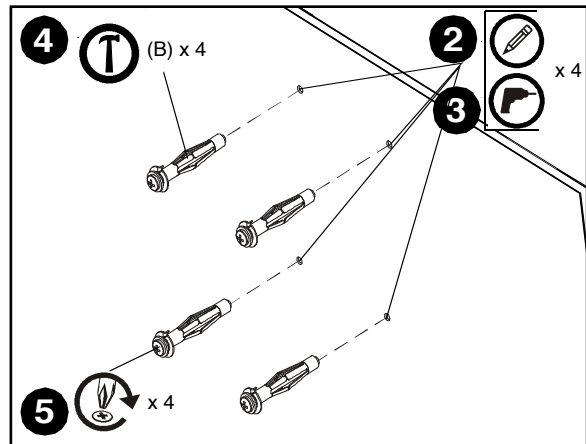


Figure 2

4. Gently tap anchor (B) into anchor hole. Anchor barbs should be fully engaged in drywall (See Figure 3).

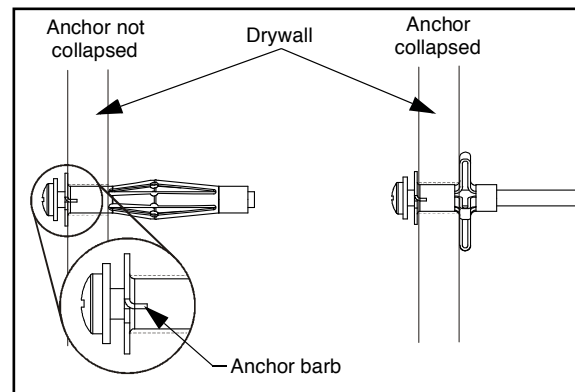


Figure 3

5. Using Phillips screwdriver, tighten anchor screw until anchor has fully collapsed against back side of drywall. (See Figure 2) and (See Figure 3)

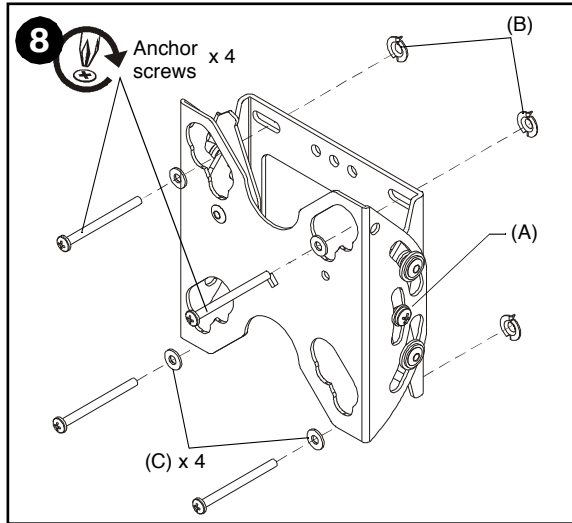
**NOTE:** Anchor screw will feel tight until anchor begins to collapse. Screw will then turn easier for many turns. Screw will feel tight when anchor has fully collapsed.

## PBM-WMS Installation Instructions

- Repeat Steps 4 and 5 for remaining anchors.
- Remove and retain anchor screws from anchors (B).

**NOTE:** Anchors (B) may come with small washers which may be left on the screw or discarded. These small washers do NOT replace washers (C).

- Insert anchor screws through washers (C), PBM-WMS (A) and install into collapsed anchors (B). Tighten until secure. (See Figure )

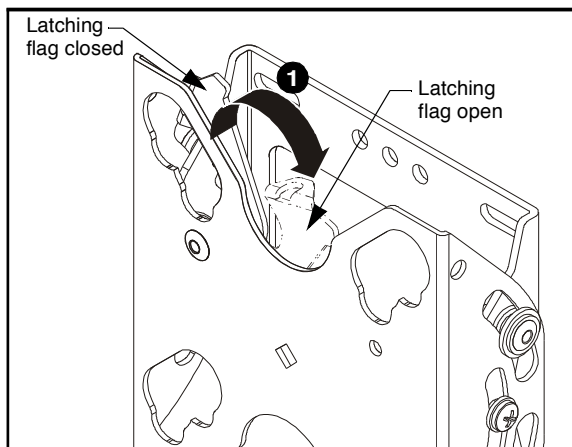


**Figure 4**

### Install Display to Mount

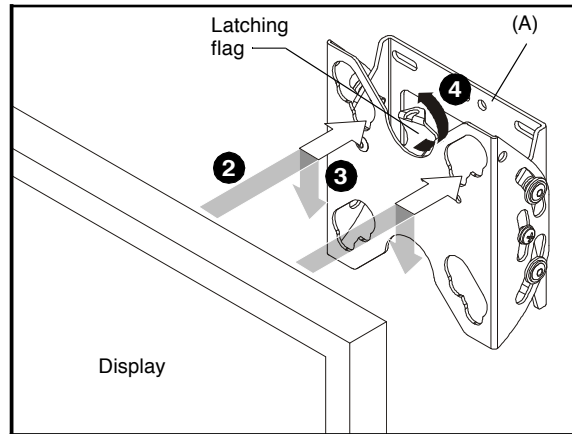
**NOTE:** Proper interface must be attached to display. Follow instructions included with interface assembly.

- Open latching flag by rotating flag clockwise on PBM-WMS (A). (See Figure 5)



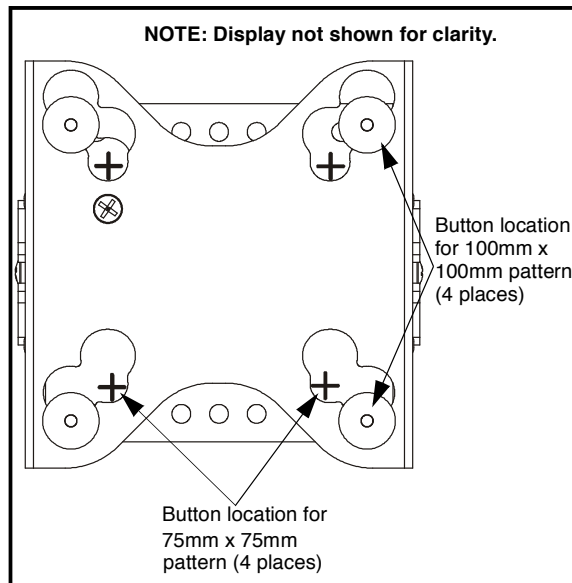
**Figure 5**

- Lift and maneuver display such that all mounting buttons fit into openings on PBM-WMS (A). (See Figure 6)
- Lower display firmly into place. Ensure each mounting button has fully seated in the opening (See Figure 6)
- Close latching flag by rotating flag counterclockwise on PBM-WMS (A). (See Figure 6)



**Figure 6**

**NOTE:** Mounting buttons are shown in the 100mm x 100mm pattern. PBM-WMS (A) will also accommodate a 75mm x 75mm pattern. (See Figure 7)



**Figure 7**

## PBM-WMS Installation Instructions

---

**NOTE:** An optional padlock may be used to secure latching flag in place. (See Figure 8)

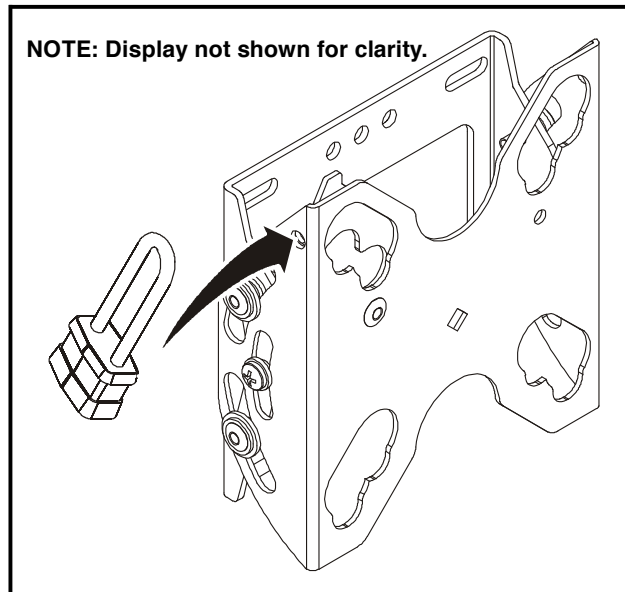


Figure 8

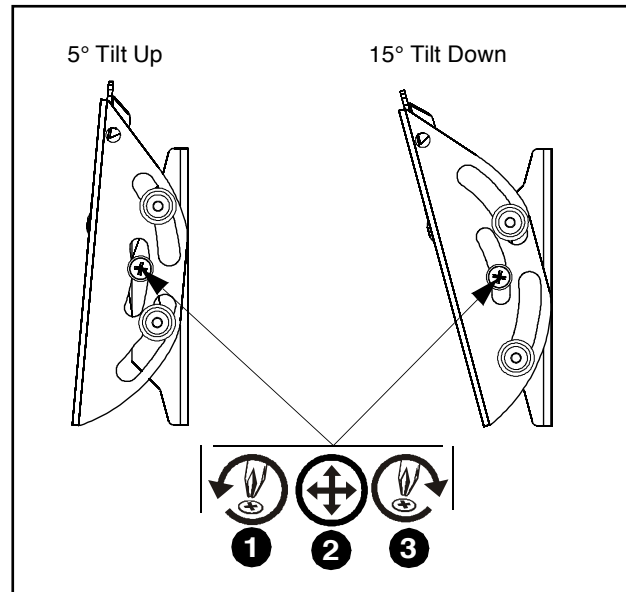


Figure 9

5. Connect cables to display as required.

### Removing Display from Mount

1. Disconnect all cables from display.
2. Open latching flag by rotating flag clockwise on PBM-WMS.
3. Lift and maneuver display mounting buttons out of button openings.

### Adjusting Tilt

1. Loosen adjusting screws on each side of display (See Figure 9).
2. Adjust tilt as desired.
3. Retighten adjusting screws.

# plura<sup>®</sup>

[www.plurabroadcast.com](http://www.plurabroadcast.com)

**Plura Broadcast, Inc. - West Coast**

1930 W. Quail Ave.  
Phoenix, AZ 85027  
Tel: (602) 944-1044  
Fax: (602) 324-9688

**Plura Broadcast, Inc. - East Coast**

67 Grand Avenue  
Massapequa, NY 11758  
Tel: (516) 997-5675  
Fax: (516) 593-7900