



## INSTALLATION AND OPERATION MANUAL

### EZ-HDA6

#### Stereo Headphone Distribution Amplifier

Model numbers:  
EZ-HDA6 includes power supply with North American plug  
EZ-HDA6X includes worldwide power supply (specify plug)



RDL EZ Series products provide the highest level of value to A/V professionals and A/V users who demand professional quality. For long-term performance, quality and value, you have made the EZ choice. EZ products are made in the USA by RDL, the inventor of application-specific modules bringing decades of experience as the world's leading manufacturer of high-reliability performance products to the A/V industry. Visit the RDL website for hundreds of professional A/V products made in the USA by RDL.



[www.rdlnet.com](http://www.rdlnet.com)

**Decades of Performance, Quality and Value**

RDL • 659 N. 6th Street • Prescott, AZ • USA 86301 • Sales: 800-281-2683 • 928-443-9391  
Tech Support: 800-933-1780 • 928-778-3554 • RDL Europe Sales & Support: (31) 20-6238-983

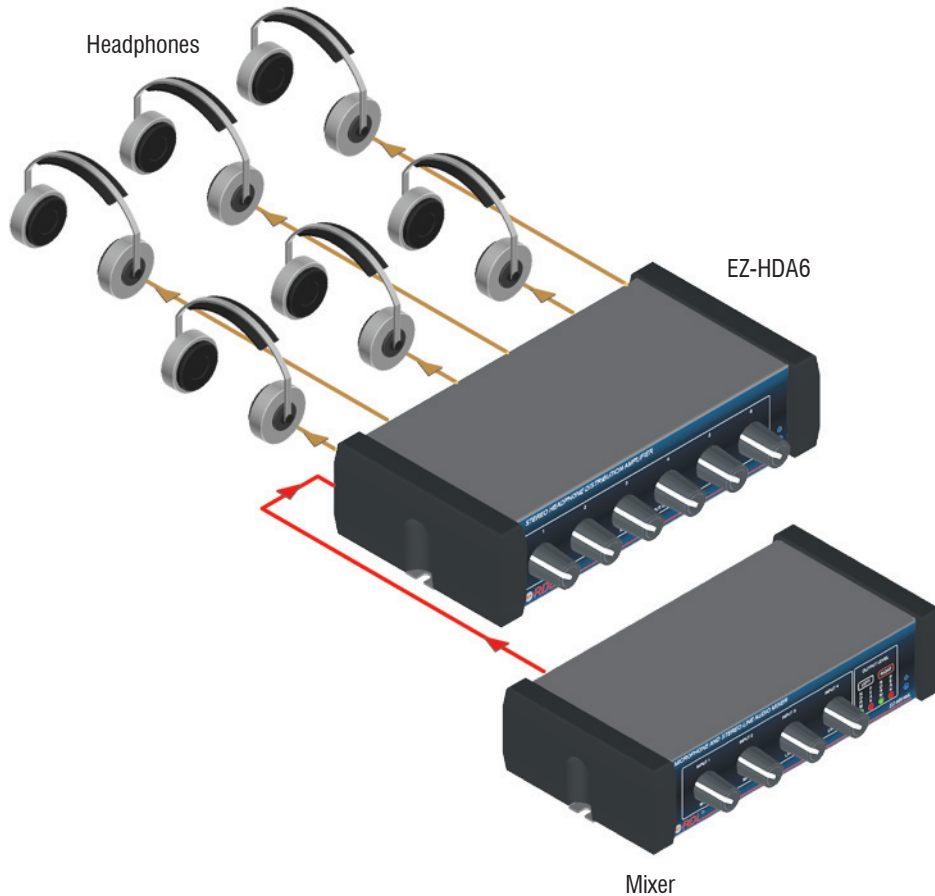
# EZ-HDA6

## Stereo Headphone Distribution Amplifier

- One Stereo Input to Six Stereo Outputs
- Unbalanced Inputs on Rear Panel
- Input on MINI, 1/4" (6.3 mm) or RCA Jacks
- LOOP OUT Jack for 1/4" (6.3 mm) Input
- 1/4" (6.3 mm) Headphone Outputs on Rear Panel
- Front-Panel LEVEL Control for Each Output

The EZ-HDA6 contains six stereo headphone amplifiers with individual front-panel volume controls. Headphone outputs are provided on rear-panel 1/4" jacks. One input signal feeds all the amplifiers. Stereo RCA jacks, a MINI jack and a dual 1/4" jack (for "loop out" connection) are provided for connecting the input source. The EZ-HDA6 is used in music stores, houses of worship, studios, museums, home component systems and commercial sound systems.

## TYPICAL APPLICATION



**LEVEL CONTROL 1**  
Adjust for desired headphone volume on rear-panel OUTPUT 1.

**LEVEL CONTROL 2**  
Adjust for desired headphone volume on rear-panel OUTPUT 2.

**LEVEL CONTROL 3**  
Adjust for desired headphone volume on rear-panel OUTPUT 3.

**LEVEL CONTROL 4**  
Adjust for desired headphone volume on rear-panel OUTPUT 4.

**LEVEL CONTROL 5**  
Adjust for desired headphone volume on rear-panel OUTPUT 5.

**LEVEL CONTROL 6**  
Adjust for desired headphone volume on rear-panel OUTPUT 6.

**POWER INDICATOR**  
Glows blue when the product is connected to a valid power source.



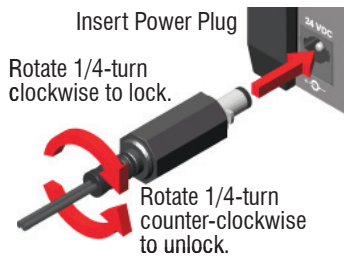
**24 VDC POWER INPUT**  
Insert plug from power supply. Rotate 1/4 turn clockwise to lock.

**LINE INPUTS**  
Connect an unbalanced stereo source to the left and right LINE IN RCA jacks, to the stereo STEREO MINI jack or to the STEREO 1/4" jack. **Connect only one input.**

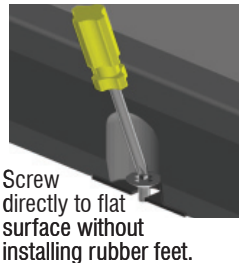
**LOOP OUT**  
Connect the LOOP OUT to the INPUT of another EZ-HDA6 or to the bridging input of other equipment using a stereo 1/4" TRS cable. The LOOP OUT jack is a non-isolated direct connection from the EZ-HDA6 1/4" INPUT jack.

**HEADPHONE OUTPUTS**  
Plug headphones into the numbered 1/4" stereo jack corresponding to a front-panel level control with the same number.

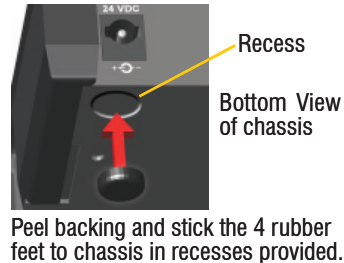
**POWER CONNECTION**



**FIXED MOUNTING**



**RUBBER FEET ATTACHMENT**



## SELECTED MOUNTING ACCESSORIES Complete accessory listing available at: [rdlez.com](http://rdlez.com)

### EZ-RA6

Rack Adapter for 6 Increments of 1/6 Rack Width



### EZ-CC6

Component Chassis for 6 Increments of 1/6 Rack Width



### EZ-SMB2

Surface Mount Bezel for 1/3 Rack Width Products



### EZ-DC2

Desktop Chassis 1/3 Rack Width



### EZ-UCB2

Under-Counter Brackets 1/6 or 1/3 Rack Width



### EZ-SD2

Storage Drawer 1/3 Rack Width

Use In Place of Filler Panel  
Holds Adapters and Cables  
Mounts in EZ-CC6 and EZ-RA6



## TYPICAL PERFORMANCE

Inputs (3): Stereo on dual RCA jacks, stereo mini jack or 1/4" (6.3 mm) TRS, > 10 k $\Omega$ , -10 dBV nominal, +8.5 dBV max. (RCA and 1/4"), -16 dBV nominal, +2 dBV max. (Mini)  
Stereo input LOOP OUT on 1/4" (6.3 mm) TRS  
Level control: Off to +2.5 dB gain (RCA and 1/4" inputs, 100  $\Omega$  output load), Off to +9 dB gain (Mini input, 100  $\Omega$  output load)  
Outputs (7): Stereo on 1/4" (6.3 mm) TRS (6, rear panel), 60 mW (100  $\Omega$  load)  
Frequency Response: 20 Hz to 50 kHz ( $\pm$  1.5 dB, 100  $\Omega$  load)  
THD+N: < 0.1% (10 mW output, 100  $\Omega$  load)  
Crosstalk: < -75 dB (1 kHz)  
Noise: < -95 dB (below 10 mW output, 100  $\Omega$  load, maximum gain)  
24 Vdc power supply current: 50 mA (idle), 80 mA (max.)  
Power supply input voltage: 100 to 240 VAC  
Warranty: 3 Years; contact RDL technical support department for assistance  
Case dimensions: 5.75" (14.6 cm)W x 3" (7.6 cm)D  
Mounting size: 1/3 rack width

CE

891-1525

Copyright © 2009 Radio Design Labs, Inc. RDL, Radio Design Labs and the RDL logo are registered trademarks of Radio Design Labs, Inc. Data reflects product at publication time, subject to change without notice. "Made in USA" applies to all EZ products except power supplies.