

Instructions for assembly and use of the SpoolMaster Arbor Support Assembly (Model# SMP-ASA)

Note:

The SpoolMaster Arbor Support Assembly is designed as a safety mechanism to prevent dislodging of cable reels from the SpoolMaster cable reel dispenser.

Due to wide variations in cable reel sizes, an arbor cross-bar (1½" Rigid Conduit) is not included. The Arbor Collar Assemblies are designed so that 1½" Rigid Conduit can be used as the Arbor Cross Bar.

1. For split-bed configuration platforms (#SMP-RP-BTX, #SMP-RP-HDX, and #SMP-RP-6K) - remove 1 side roller wheel from opposite sides of each individual reel platform sub-assembly. For #SMP-RP-27 series platforms, remove both side roller wheels.

With hardware provided, attach bracket and re-attach side roller wheel.

2. Attach telescopic tubing w/ movable collar assembly to bracket as shown.
3. Align arbor hole in center of cable reel with center of movable collar assembly, and insert arbor cross-bar (1½" Rigid Conduit).
4. Hand tighten tension knob.

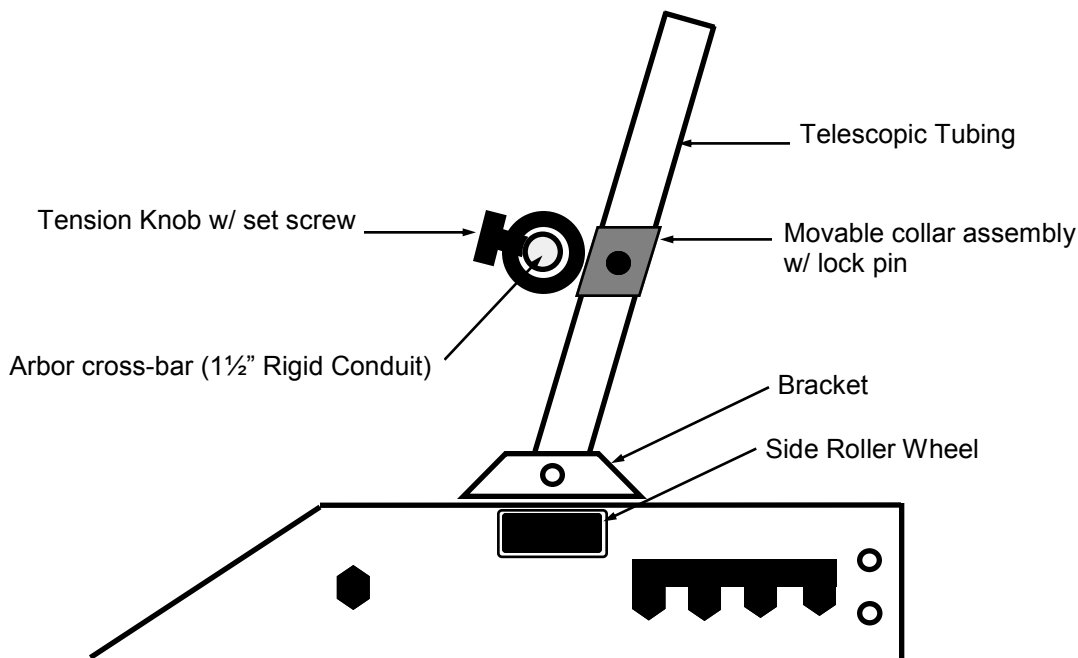


Fig. 1