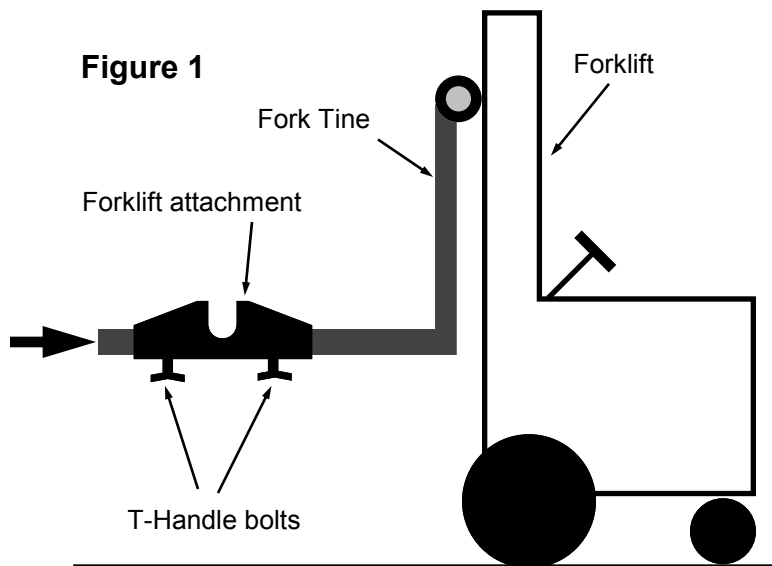
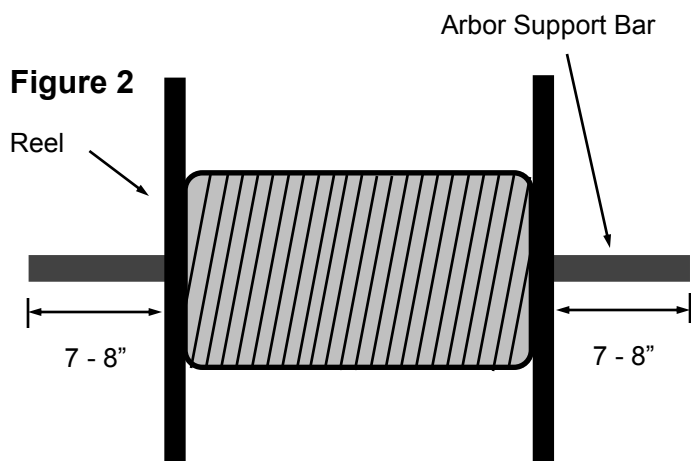


# Instructions for use of the SpoolMaster Forklift Attachment

(#SMP-FLA-4, #SMP-FLA-5, and #SMP-FLA-6)

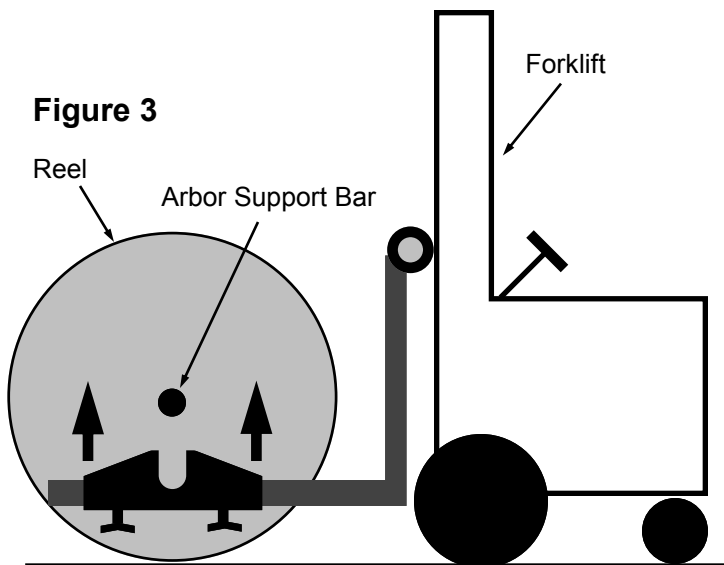


1. With forks in elevated position - slide one SpoolMaster forklift attachment onto each fork tine. (To aid in parallel alignment, use arbor support bar provided)
2. When forklift attachments are in parallel position - hand tighten T-Handle bolts to secure attachments to fork tines. (Figure 1)



3. With reel on a flat surface - insert arbor support bar through center hole of reel. A minimum of 7 - 8" should protrude on each side of reel. (Figure 2)

**IMPORTANT:** If you will NOT be using the arbor support bar that is provided, any arbor support mechanism you utilize **MUST** have an outside diameter of 2½".



4. Position forklift (with attachments connected) so that slots in forklift attachments are aligned directly under protruding sections of arbor support bar. (See Figure 3)
5. Raise forks on lift truck to elevate reel into transport or pay-out position.

SpoolMaster - P.O. Box 12017  
Marina del Rey, CA 90292  
Phone: (310) 822-6290 - Fax: (310) 306-9343