

CONCERT₉₉

FREQUENCY-AGILE UHF
WIRELESS SYSTEM



OWNER'S MANUAL

SAMSON®

Copyright 2018 - Samson Technologies
V3

Samson Technologies Corp.
278B Duffy Ave
Hicksville, New York 11801
Phone: 1-800-3-SAMSON (1-800-372-6766)
Fax: 631-784-2201
www.samsontech.com

Important Safety Information

1. Read these instructions.
2. Keep these instructions.
3. Heed all warnings.
4. Follow all instructions.
5. Do not use this apparatus near water.
6. Clean only with dry cloth.
7. Do not block any ventilation openings. Install in accordance with the manufacturer's instructions.
8. Do not install near any heat sources such as radiators, heat registers, stoves, or other apparatus (including amplifiers) that produce heat.
9. Do not defeat the safety purpose of the polarized or grounding type plug. A polarized plug has two blades with one wider than the other. A grounding type plug has two blades and a third grounding prong. The wide blade or the third prong are provided for your safety. If the provided plug does not fit into your outlet, consult an electrician for replacement of the obsolete outlet.
10. Protect the power cord from being walked on or pinched particularly at the plugs, convenience receptacles, and at the point where they exit from the apparatus.
11. Only use attachments/accessories specified by the manufacturer.
12. Use only with the cart, stand, tripod, bracket, or table specified by the manufacturer, or sold with the apparatus. When a cart is used, use caution when moving the cart/apparatus combination to avoid injury from tip-over.
13. Unplug the apparatus during lightening storms, or when unused for long periods of time.
14. Refer all servicing to qualified personnel. Service is required when the apparatus has been damaged in any way, such as power supply cord or plug is damaged, liquid has been spilled or objects have fallen into the apparatus has been exposed to rain or moisture, does not operate normally, or has been dropped.
15. This appliance shall not be exposed to dripping or splashing water and that no object filled with liquid such as vases shall be placed on the apparatus.
16. Caution-to prevent electrical shock, match wide blade plug wide slot fully insert.
17. Please keep a good ventilation environment around the entire unit.
18. The direct plug-in adapter is used as disconnect device, the disconnect device shall remain readily operable.
19. Batteries (battery pack or batteries installed) shall not be exposed to excessive heat such as sunshine, fire or the like.



CAUTION: TO REDUCE THE RISK OF ELECTRIC SHOCK, DO NOT REMOVE COVER (OR BACK). NO USER-SERVICEABLE PARTS INSIDE. REFER SERVICING TO QUALIFIED SERVICE PERSONNEL.

ATTENTION: RISQUE D'ÉLECTROCUTION! NE PAS OUVRIR!



This lightning flash with arrowhead symbol within an equilateral triangle is intended to alert the user to the presence of non-insulated "dangerous voltage" within the product's enclosure that may be of sufficient magnitude to constitute a risk of electric shock.



The exclamation point within an equilateral triangle is intended to alert the user to the presence of important operating and maintenance instructions in the literature accompanying the appliance.

WARNING: TO PREVENT FIRE OR SHOCK HAZARD. DO NOT USE THIS PLUG WITH AN EXTENSION CORD, RECEPTACLE OR OTHER OUTLET UNLESS THE BLADES CAN BE FULLY INSERTED TO PREVENT BLADE EXPOSURE. TO PREVENT FIRE OR SHOCK HAZARD. DO NOT EXPOSE THIS APPLIANCE TO RAIN OR MOISTURE. TO PREVENT ELECTRICAL SHOCK, MATCH WIDE BLADE PLUG TO WIDE SLOT AND FULLY INSERT.

Important Safety Information

FCC Rules and Regulations

Samson wireless receivers are certified under FCC Rules part 15 and transmitters are certified under FCC Rules part 74.

Licensing of Samson equipment is the user's responsibility and licensability depends on the user's classification, application and frequency selected.

NOTE: This equipment has been tested and found to comply with the limits for a Class B digital device, pursuant to Part 15 of the FCC Rules. These limits are designed to provide reasonable protection against harmful interference in a residential installation. This equipment generates, uses and can radiate radio frequency energy and, if not installed and used in accordance with the instructions, may cause harmful interference to radio communications. However, there is no guarantee that interference will not occur in a particular installation. If this equipment does cause harmful interference to radio or television reception, which can be determined by turning the equipment off and on, the user is encouraged to try to correct the interference by one or more of the following measures:

- Reorient or relocate the receiving antenna.
- Increase the separation between the equipment and receiver.
- Connect the equipment into an outlet on a circuit different from that to which the receiver is connected.
- Consult the dealer or an experienced Radio/TV technician for help.

WARNING: Changes or modifications not expressly approved by the party responsible for compliance could void the user's authority to operate the equipment.

This device complies with RSS-210 of Industry & Science Canada. Operation is subject to the following two conditions:

- (1) this device may not cause harmful interference and
- (2) this device must accept any interference received, including interference that may cause undesired operation.

This equipment is intended for use in wireless microphone applications.

Equipment is intended for sale in: AT, BE, CH, CY, CZ*, DK, EE, FI*, FR*, DE*, GR*, HU, IE, IS, IT, LV, LT*, LU, MT*, NL, NO*, PL* PT, RO, SK, SI, ES, SE, UK

*Subject to license. Please contact your national frequency authority for information on available legal use in your area. Any changes or modifications not expressly approved by Samson Technologies Corp. could void your authority to operate the equipment.



If you want to dispose this product, do not mix it with general household waste. There is a separate collection system for used electronic products in accordance with legislation that requires proper treatment, recovery and recycling.

Private household in the 28 member states of the EU, in Switzerland and Norway may return their used electronic products free of charge to designated collection facilities or to a retailer (if you purchase a similar new one).

For Countries not mentioned above, please contact your local authorities for a correct method of disposal.

By doing so you will ensure that your disposed product undergoes the necessary treatment, recovery and recycling and thus prevent potential negative effects on the environment and human health.

Introduction

Congratulations on purchasing the Samson Concert 99 wireless system. The Concert 99 is the ideal solution for the active performer who needs a reliable, great sounding system for wireless applications. Featuring a large backlit LCD display, simple operation with auto-scan channel selection, and infrared set for syncing the transmitter and receiver channel, the Concert 99 is simple and easy to set up and operate. The Concert 99 system ensures clear, interruption-free performance by utilizing a True RF Diversity design with a pilot tone-key and auto-mute function. This configuration provides maximum operating distance along with eliminating any background noise when the transmitter is out of range or powered off.

The Concert 99 comes in four configurations. The vocal handheld system includes the CH99 handheld transmitter with Samson's Q8 premium dynamic microphone capsule. The CB99 belt pack system can be configured with either the SE10 earset microphone, LM10 lavalier microphone, or a ¼" instrument cable. The Concert 99 includes a standard 19" rackmount kit for permanent installations or transporting in a mobile rack.

In these pages, you'll find a detailed description of the features of the Concert 99 wireless system, as well as step-by-step instructions for its setup and use. If your wireless system was purchased in the United States, you'll also find a registration card enclosed—don't forget to follow the instructions so that you can receive online technical support and so that we can send you updated information about this and other Samson products in the future. Also, be sure to check out our website www.samsontech.com for complete information about our full product line.

We recommend you keep the following records for reference, as well as a copy of your sales receipt:

Receiver Serial number: _____

Transmitter Serial number: _____

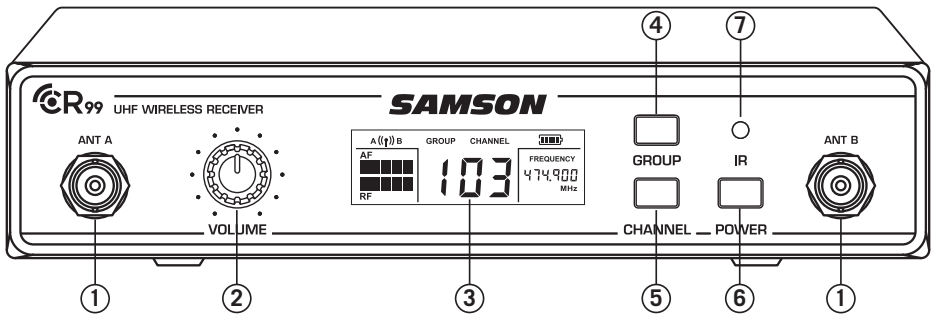
Date of purchase: _____

With proper care and maintenance, your Concert 99 wireless system will operate trouble-free for many years. Should your wireless system ever require servicing, a Return Authorization (RA) number must be obtained before shipping your unit to Samson. Without this number, the unit will not be accepted. Please call Samson at 1-800-3SAMSON (1-800-372-6766) for an RA number prior to shipping your unit. Please retain the original packing materials and, if possible, return the unit in its original carton. If your Concert 99 system was purchased outside of the United States, contact your local distributor for warranty details and service information.

System Features

- Professional wireless system for use in both live sound and sound contracting applications
- True RF Diversity technology maximizes active range (up to 300 feet) and reduces potential interference
- 80 available channels operating in the UHF band designed for maximum system compatibility in the same location without interference
- The CR99 receiver is a metal half-rack unit that can be used freestanding or can be mounted in any standard 19" rack using the included rack kit, making it easy to integrate into any traveling or fixed installation audio system
- Tone-key and auto-mute ensures clear, interruption-free performance allowing only the transmitter's audio to pass through the receiver, and mutes the output if the transmitter is powered off or out of range.
- Up to 300-foot range (line-of-sight)
- Up to eight hours of battery life, using two standard AA batteries

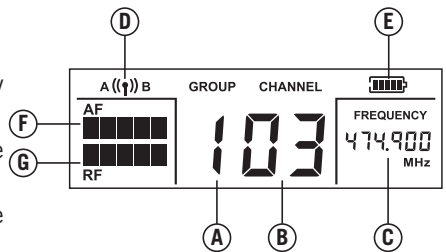
CR99 Receiver - Front Callouts



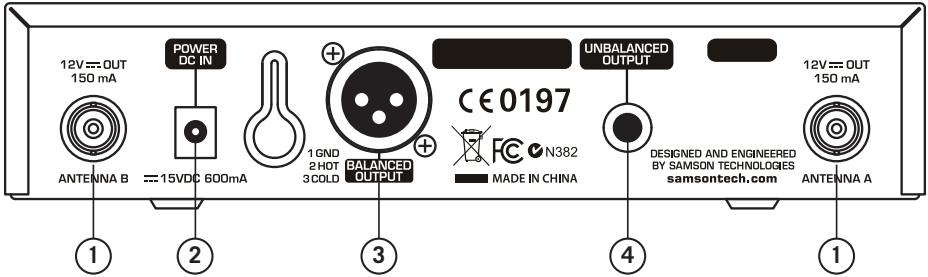
1. **Antenna Jacks** - The front BNC antenna jacks allow full rotation for optimum placement. In normal operation, both antennas should be placed in a vertical position.
2. **VOLUME Control** - This knob sets the level of the audio signal being output through both the balanced and unbalanced output jacks on the rear panel. Reference level is obtained when the knob is turned fully clockwise (to its "10" setting).
3. **LCD Display** - Displays transmitter and receiver settings.
4. **GROUP Button** - Press and release button to cycle through the available groups. Press and hold button to scan for available channels within the selected group.
5. **CHANNEL Button** - Press and release to cycle through available channels within a group. Press and hold button to enter IR Set which is used to set the operating channel of the transmitter.
6. **POWER Button** - Press and hold to turn the CR99 power on and off.
7. **IR Transmitter** - During "IR SET" an infrared light is used to set the transmitter channel.

Receiver Display

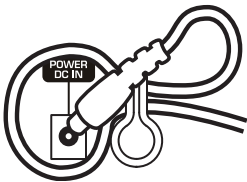
- A. **Group** - Displays the selected group
- B. **Channel** - Displays the selected channel
- C. **Frequency** - Indicates the operating frequency of the selected Group and Channel.
- D. **Antenna Indicator** - Indicates the active antenna (A or B).
- E. **Transmitter Battery Level** - Indicates the battery level of the transmitter.
- F. **Audio Meter** - Indicates the strength of the incoming audio signal.
- G. **RF Signal Meter** - Indicates the strength of the incoming radio signal.



CR99 Receiver - Rear Callouts



1. **Antenna Jacks** - The rear BNC antenna jacks allow full rotation for optimum placement. In normal operation, both antennas should be placed in a vertical position.
2. **DC Input** - Connect the supplied power adapter here, using the strain relief as shown in the illustration below. **WARNING:** Do not substitute any other kind of power adapter. Doing so can cause severe damage to the CR99 and will void your warranty.
3. **BALANCED OUTPUT** - Use this electronically balanced low impedance (600 Ohm) XLR jack when connecting the CR99 to professional (+4dBu) audio equipment. Pin wiring is as follows: Pin 1 ground, Pin 2 high (hot), and Pin 3 low (cold).
4. **UNBALANCED OUTPUT** - Use this unbalanced high impedance (5K Ohm) ¼" jack when connecting the CR99 to consumer (-10dBV) audio equipment. Wiring is as follows: tip hot, sleeve ground.



Using the strain relief: Gather up a loop of wire and pass it through the strain relief, then pass the adapter plug through the loop in order to create a knot.

CB99 Belt Pack Transmitter - Callouts

1. **Input Connector** - Connect the input device via the mini-XLR connector. The CB99 is supplied with either a lavalier, headset microphone or ¼" instrument cable.

2. **Status Indicator** - This LED displays the operation mode:

GREEN	Normal Operation
RED	Mute
Flashing GREEN	Low Battery

3. **Power/Mute Switch** - Press and hold to turn the unit on or off. Press and release to mute or unmute the transmitter.

4. **Belt Clip** - Use this clip to fasten the CB99 transmitter to a belt or guitar strap.

5. **Battery Cover Release** - Push in both sides and pull back to open the CB99 battery cover.

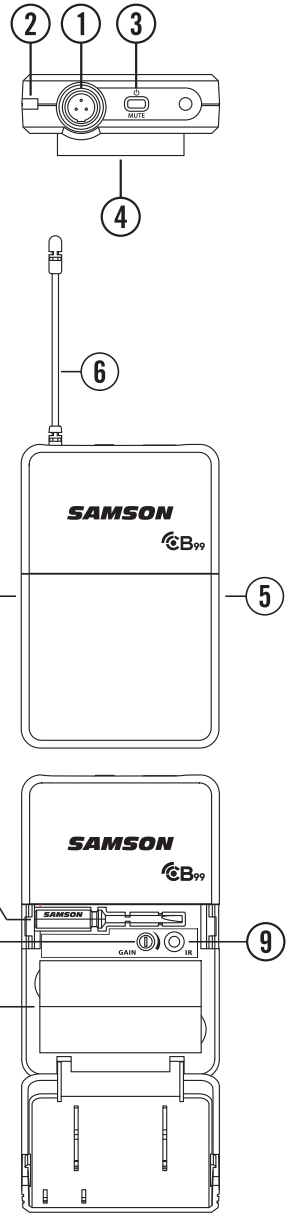
6. **Antenna** - This permanently attached transmitter antenna should be fully extended during normal operation.

7. **Input GAIN Control** - This control adjusts the transmitter input sensitivity to work with microphone and instruments inputs. For optimal performance, using the included screwdriver, set the input GAIN control to where you see the CR99 Audio Meter maximum indicator start to light under high levels, then turn down slowly until the maximum indicator stops lighting.

8. **Battery Holder** - Insert two standard AA (LR6) batteries here, being sure to observe the plus and minus polarity markings shown. Although rechargeable NiCad and NiMH batteries can be used, they do not supply adequate current for more than four hours. **WARNING:** Do not insert the batteries backwards; doing so can cause severe damage to the CB99 and will void your warranty.

9. **IR Lens** - This window is used to capture the infrared signal sent from the CR99 receiver during the IR SET to channelize the transmitter.

10. **Plastic Screwdriver** - Designed for use in adjusting the CB99 input GAIN (#7) control.



CH99 Handheld Transmitter - Callouts

- Status Indicator** - This LED displays the operation mode:

GREEN	Normal Operation
RED	Mute
Flashing GREEN	Low Battery

- Power/Mute Switch** - Press and hold to turn the unit on or off. Press and release to mute or unmute the transmitter.

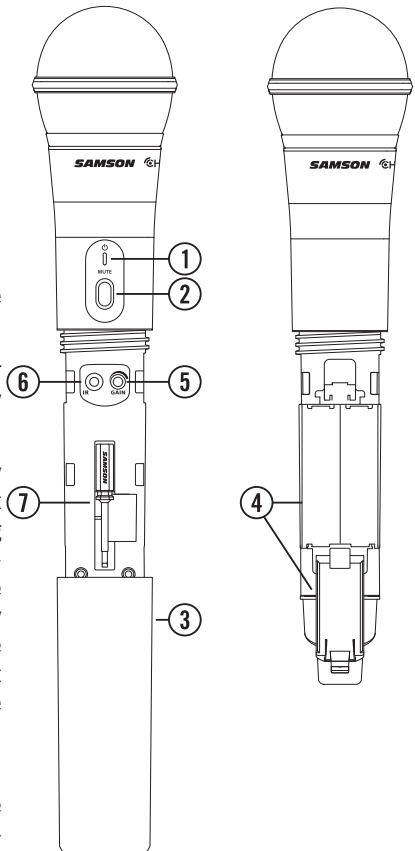
- Battery Cover** - Unscrew the battery cover and slide down to open the CH99 battery compartment.

- Battery Holder** - Open the battery holder by pressing the tab and lifting the cover. Insert two standard AA (LR6) batteries here, being sure to observe the plus and minus polarity markings shown. Although rechargeable NiCad and NiMH batteries can be used, they do not supply adequate current for more than four hours. **WARNING:** Do not insert the batteries backwards; doing so can cause severe damage to the CH99 and will void your warranty.

- Input GAIN Control** - This control adjusts the transmitter input sensitivity. For optimal performance, using the included screwdriver, set the input GAIN control to where you see the CR99 Audio Meter maximum indicator start to light under high levels, then turn down slowly until the maximum indicator stops lighting.

- IR Lens** - This window is used to capture the infrared signal sent from the CR99 during the IR SET to channelize the transmitter. The battery cover must be open and the IR Lens facing towards the receiver to load the selected channel.

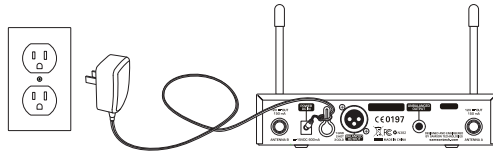
- Plastic Screwdriver** - Designed for use in adjusting the CB99 input GAIN control (See #5 Input GAIN Control HH).



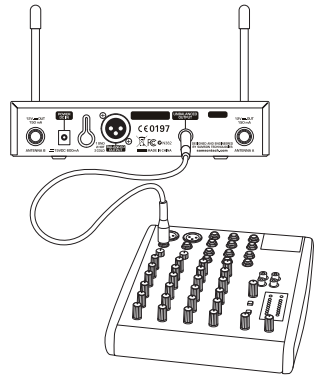
Quick Start

In order for your wireless system to work correctly, both the receiver and transmitter must be set to the same channel. Follow this basic procedure for setting up and using your Concert 99 wireless system:

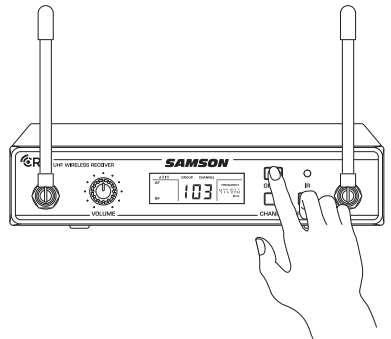
1. Physically place the CR99 receiver where it will be used, and extend the antennas vertically. The general rule of thumb is to maintain “line of sight” between the receiver and transmitter so that the person using or wearing the transmitter can see the receiver.
2. With the CR99 powered off, connect the included power adapter. Turn the CR99 on momentarily to confirm that the unit is receiving power. Then turn the CR99 power off.



3. With your amplifier or mixer off and volume control all the way down, connect the CR99 receiver output jack to the mic or line level input of a mixer or amplifier using the balanced XLR output or unbalanced 1/4" line level output. Turn the Level knob on the CR99 completely counterclockwise, then turn its power on.

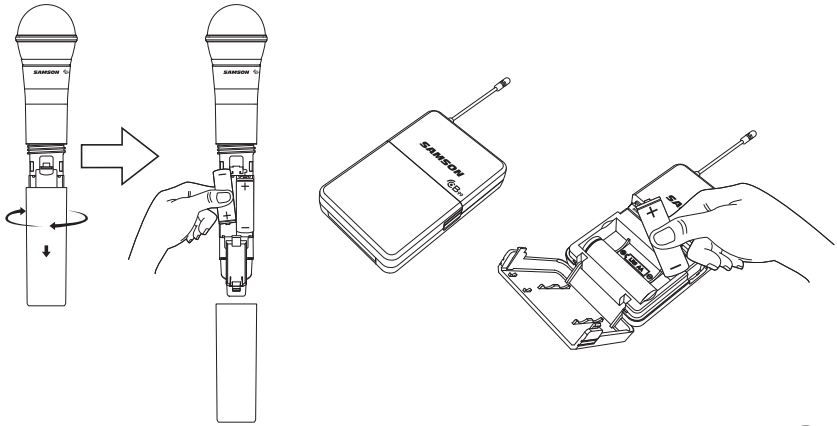


4. Press and hold the GROUP button on the front of the CR99 receiver to scan for an available channel within the selected group.

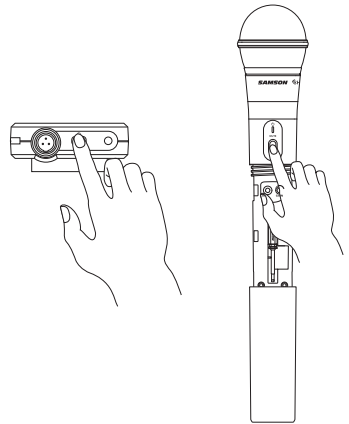


Quick Start

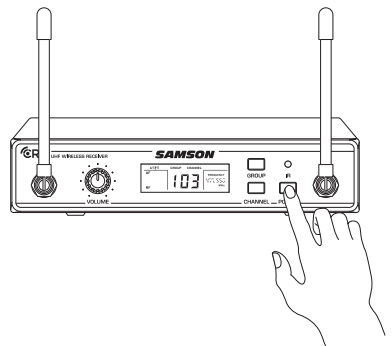
5. With the transmitter powered off, install two fresh AA batteries into the CB99 belt pack or CH99 handheld transmitter. Leave the battery compartment open.



6. Turn on the power to the transmitter by pressing and holding Power switch; the indicator LED will light green.

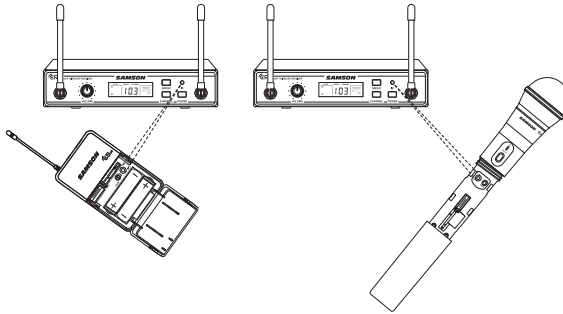


7. Press and hold the CR99 CHANNEL button to execute an IR Set which synchronizes the transmitter to the same channel as the receiver via infrared transmission.



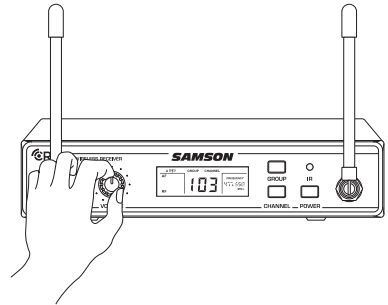
Quick Start

8. Position the transmitter about 6-12" (15-30 cm) from the front of the CR99 with the transmitter's IR window facing the IR transmitter on the front panel of the CR99 receiver.



9. When the transmission is complete, the CR99 will receive RF signal and the tone key from the transmitter. The RF meter on the CR99 will light indicating that it is receiving wireless signal from the transmitter.

10. Turn on your connected amplifier or mixer, but keep the volume all the way down. Set the Volume knob on the CR99 fully clockwise (to its "10" setting). This is unity gain.



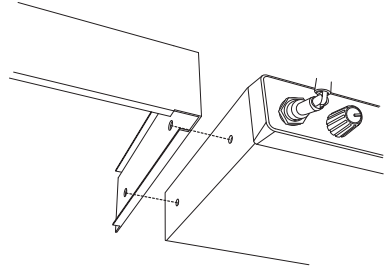
11. Speak or sing into the microphone, or if you are using the transmitter with a connected instrument, play the instrument at normal performance level. Slowly raise the volume of your amplifier or mixer until the desired level is reached.
12. Walk around the performance area to ensure the coverage is consistent throughout. If you find the system has noticeable dropouts, reduced overall working range, or unexpected noise bursts, change the operating channel of the system using the steps above.

When using multiple systems, each system must be set to a different operating channel. Set all additional transmitters and receivers to the same Group in order to maximize the number of compatible channels. When setting an additional transmitters, make sure to close all other transmitter battery compartments to ensure that the IR Lens is covered. Perform a channel scan for each transmitter to select the optimal channel.

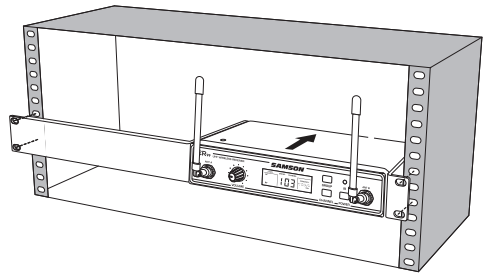
Rack Mounting

The CR99 receiver can be installed into a standard 19" rack for transport or permanent installation using the included rack ears. Follow the simple steps below to mount the CR99:

Attach the included rack ears by screwing each rack ear into either side of the CR99.

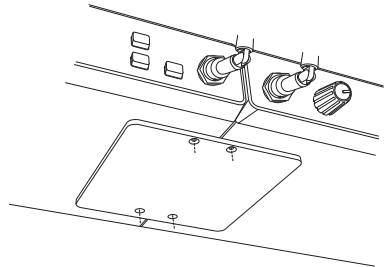


Position the CR99 receiver into an available rack space and slide in until the rack ears are touching the rails of the rack case and are aligned with the rack rail holes.

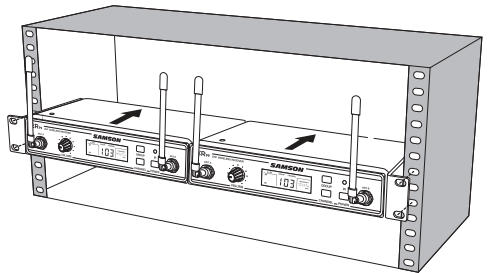


Mount the receiver into the rack using the appropriate size rack screws (not included). To ensure equal tension and balance when installing the receiver, you should secure screws in a crisscross pattern of opposite corners: top left -> bottom right -> top right -> bottom left.

In order to mount two CR99 receivers in one rack space, the system includes a center connection piece. Screw the center connection piece into bottom of each receiver and attach the short rack ears to each receiver.



Mount the receivers into the rack using the crisscross pattern described above.



Channel Plans

Group K 470–494MHz								
	Channel							
Group	00	01	02	03	04	05	06	07
0	473.050	474.425	474.900	480.475	484.075	486.975	487.975	492.425
1	470.125	471.500	471.975	477.550	481.150	484.050	485.050	489.500
2	470.525	471.900	472.375	477.950	481.550	484.450	485.450	489.900
3	471.075	472.450	472.925	478.500	482.100	485.000	486.000	490.450
4	471.475	472.850	473.325	478.900	482.500	485.400	486.400	490.850
5	472.025	473.400	473.875	479.450	483.050	485.950	486.950	491.400
6	472.425	473.800	474.275	479.850	483.450	486.350	487.350	491.800
7	473.375	474.750	475.225	480.800	484.400	487.300	488.300	492.750
8	473.925	475.300	475.775	481.350	484.950	487.850	488.850	493.300
9	474.325	475.700	476.175	481.750	485.350	488.250	489.250	493.700

Group D 542–566MHz								
	Channel							
Group	00	01	02	03	04	05	06	07
0	545.050	546.425	546.900	552.475	556.075	558.975	559.975	564.425
1	542.125	543.500	543.975	549.550	553.150	556.050	557.050	561.500
2	542.525	543.900	544.375	549.950	553.550	556.450	557.450	561.900
3	543.075	544.450	544.925	550.500	554.100	557.000	558.000	562.450
4	543.475	544.850	545.325	550.900	554.500	557.400	558.400	562.850
5	544.025	545.400	545.875	551.450	555.050	557.950	558.950	563.400
6	544.425	545.800	546.275	551.850	555.450	558.350	559.350	563.800
7	545.375	546.750	547.225	552.800	556.400	559.300	560.300	564.750
8	545.925	547.300	547.775	553.350	556.950	559.850	560.850	565.300
9	546.325	547.700	548.175	553.750	557.350	560.250	561.250	565.700

Channel Plans

Group F* 606–630MHz								
	Channel							
Group	00	01	02	03	04	05	06	07
0	609.050	610.425	610.900	616.475	620.075	622.975	623.975	628.425
1	606.125	607.500	607.975	613.550	617.150	620.050	621.050	625.500
2	606.525	607.900	608.375	613.950	617.550	620.450	621.450	625.900
3	607.075	608.450	608.925	614.500	618.100	621.000	622.000	626.450
4	607.475	608.850	609.325	614.900	618.500	621.400	622.400	626.850
5	608.025	609.400	609.875	615.450	619.050	621.950	622.950	627.400
6	608.425	609.800	610.275	615.850	619.450	622.350	623.350	627.800
7	609.375	610.750	611.225	616.800	620.400	623.300	624.300	628.750
8	609.925	611.300	611.775	617.350	620.950	623.850	624.850	629.300
9	610.325	611.700	612.175	617.750	621.350	624.250	625.250	629.700

Group L* 823–832MHz								
	Channel							
Group	00	01	02	03	04	05	06	07
0	823.125	824.125	825.325	826.725	827.925	828.325	829.700	830.800
1	823.225	824.225	825.425	826.825	828.025	828.425	829.800	830.900
2	823.325	824.325	825.525	826.925	828.125	828.525	829.900	831.000
3	823.425	824.425	825.625	827.025	828.225	828.625	830.000	831.100
4	823.525	824.525	825.725	827.125	828.325	828.725	830.100	831.200
5	823.625	824.625	825.825	827.225	828.425	828.825	830.200	831.300
6	823.725	824.725	825.925	827.325	828.525	828.925	830.300	831.400
7	823.825	824.825	826.025	827.425	828.625	829.025	830.400	831.500
8	823.925	824.925	826.125	827.525	828.725	829.125	830.500	831.600
9	824.025	825.025	826.225	827.625	828.825	829.225	830.600	831.700

Group G* 863–865MHz								
	Channel							
Group	00	01	02	03	04	05	06	07
0	863.050	863.250	863.550	863.750	864.050	864.250	864.550	864.750
1	863.100	863.300	863.600	863.800	864.100	864.300	864.600	864.800
2	863.150	863.350	863.650	863.850	864.150	864.350	864.650	864.850
3	863.200	863.400	863.700	863.900	864.20	864.400	864.700	864.950

* Not for use in the USA and Canada. For questions regarding available channels in your area contact your local Samson distributor.

Troubleshooting

Issue	Solutions
No audio	Make sure that the transmitter and receiver are both powered on.
	Ensure the transmitter's batteries are installed correctly.
	Check that the transmitter is not muted.
	Confirm that the CR99 receiver adapter is correctly connected and plugged into an electrical outlet.
	Make sure the audio output cables are securely connected to the CR99 receiver.
	Ensure that the receiver and transmitter are in line of sight with one another.
	Check the receiver and audio input device level controls.
	Ensure that the transmitter and receiver are set to the same operating channel. If unsure, reset the channel by performing an IR set.
Distorted audio	The receiver output level or audio input device level may be too high.
	Check the transmitters batteries, and replace if low.
	The input gain on the transmitter or audio source level may be too high.
Audio dropout	The transmitter may be too far away from the receiver. Move it closer to the receiver, or reposition the antennas.
	Remove any sources that may cause RF interference such as cell phones, cordless phones, lighting equipment, computers, metal structures, etc.
	Move receiver to the top space of the equipment rack or place on top of equipment to ensure there are no obstructions blocking line of sight from the transmitter.
Receiver will not power on	Check the adapter to ensure it is properly connected and plugged into an outlet providing power.
Transmitter will not power on	Replace the transmitter batteries.
Unwanted noise or interference	If using multiple systems, make sure none of the systems are operating on the same channel. If the problem persists, change one or all of the systems channels.
	If using multiple systems, set all receivers to the same Group. Perform a channel scan within the Group to select the optimum Channels.

Specifications

System

Working Range	300' (100m) line of sight
Audio Frequency Response	50 Hz - 15 kHz
T.H.D. (Overall)	<1% (@AF 1 kHz, RF 46 dBu)
Dynamic Range	>103 dB A-weighted
Signal to Noise	>90 dB
Operating Temperature	-10°C (14°F) to +60°C (+140°F)
Tone Key Frequency	35.000 kHz

CB99 Belt pack Transmitter

Input Connector	Mini-XLR (P3)
Input Impedance	1M Ω
Input Gain Range	38 dB
RF Power	10 mW EIRP
Power Requirements	Two AA (LR6) alkaline batteries
Battery Life	8 hours
Dimensions (HxLxD)	3.75" x 2.44" x 0.75" 96mm x 62mm x 18.5mm
Weight	0.2 lb / 93 g

CH99 Handheld Transmitter

Microphone Element	Dynamic
Input Gain Range	28 dB
RF Power	10 mW EIRP
Power Requirements	Two AA (LR6) alkaline batteries
Battery Life	8 hours
Dimensions (Hx \emptyset)	10.23" x 2.1" 260mm x 54mm
Weight	0.48 lb / 218 g

CR99 Receiver

Audio Output Level - Unbalanced	+14 dBu
Audio Output Level - Balanced	+9 dBu
Audio Output Impedance - Unbalanced	810 Ohms
Audio Output Impedance - Balanced	240 Ohms
Sensitivity	-100 dBm / 30 dB sinad
Image Rejection	>50 dB
Operating Voltage	15 VDC 200mA
Dimensions (LxWxH)	7.87" x 5.9" x 1.6" 200mm x 150mm x 42mm
Weight	2.08lb / 0.946kg

At Samson, we are continually improving our products, therefore specifications and images are subject to change without notice.

R&TTE Declaration of Conformity

In accordance with EN ISO 17050:2005

We, Samson Technologies Corporation, located at 45 Gilpin Ave, Hauppauge, NY 11788 USA declare under our own responsibility that the products:

Product Name: Concert 99 Wireless Microphone

Trade Name: Samson

Type or Model: CR99 (Receiver), CH99 (Handheld Transmitter), CB99 (Belt Pack Transmitter)

are in conformity with the essential requirements of the following EC Directive(s) when installed in accordance with the installation instructions contained in the product documentation:

2006/95/EC - LVD Directive

2004/108/EC - EMC Directive

1999/5/EC - R&TTE Directive

The product is in conformity with the following standards and/or other normative documents:

EN60065:2014

Audio, video and similar electronic apparatus - Safety requirements

EN301 489-1 V1.9.1

Common technical requirements.

EN301 489-9 V1.4.1

Specific conditions for wireless microphones, similar Radio Frequency (RF) audio link equipment, cordless audio and in-ear monitoring.

EN300 422-1 V1.5.1

Technical characteristics and methods.

EN300 422-2 V1.4.1

Harmonized EN covering essential requirements of article 3.2 of the R&TTE directive

EN62479:2010

Harmonized EN covering essential requirements of article 3.1a of the R&TTE directive

Year of CE Marking (Low Voltage Directive): 2015

Identification Mark: **0197** (*Notified body number*)

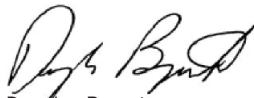
This equipment will also carry the Class 2 equipment identifier:

Signed on behalf of the manufacturer:

Authorized Representative:

Position:

Date:



Douglas Bryant

Vice President Engineering

12/5/2015

CE 0197

Hereby, Samson Technologies Corp., declares that this CR99, CH99, CB99 is in compliance with the essential requirements and other relevant provisions of Directive 1999/5/EC. The declaration of conformity may be consulted at:

www.samsontech.com/samson/products/wireless-systems/concert-99/concert99hh/#downloads-and-manuals-tab

Informations de sécurité importantes

1. Lisez ces instructions.
2. Conservez ces instructions.
3. Respectez tous les avertissements.
4. Suivez toutes les instructions.
5. Ne pas utiliser ce dispositif à proximité de l'eau
6. Le nettoyer uniquement avec un chiffon sec.
7. Ne pas obstruer les ouvertures de ventilation. L'installer conformément aux instructions du fabricant.
8. Ne pas installer près de sources de chaleur telles que des radiateurs, des diffuseurs d'air chaud, des fours, des poêles ou autres appareils (y compris les amplificateurs) produisant de la chaleur.
9. Ne pas contourner le dispositif de sécurité de la fiche polarisée ou mise à la terre. Une fiche polarisée comporte deux broches, l'une plus large que l'autre. Une fiche de terre comporte deux broches et une troisième de mise à la terre. La broche large, ou troisième broche assure votre sécurité. Si la fiche fournie ne correspond pas à votre fiche murale, consultez un électricien pour remplacer la fiche murale obsolète.
10. Faites en sorte que le cordon ne soit pas piétiné ou pincé, en particulier au niveau des broches, des prises de courant, et au point de sortie de l'appareil.
11. Utilisez uniquement des fixations/accessoires spécifiés par le fabricant.
12. Utilisez-le uniquement avec le chariot, le trépied, un support ou une table spécifiés par le fabricant ou vendus avec l'appareil. Lors de l'utilisation d'un chariot, soyez prudent lors du déplacement de l'ensemble chariot/appareil pour éviter des blessures suite au renversement.
13. Débranchez l'appareil pendant les orages ou lorsqu'il n'est pas utilisé pendant de longues périodes de temps.
14. Confiez l'entretien à du personnel d'entretien qualifié. Une réparation est nécessaire si l'appareil a été endommagé d'une façon quelconque, par exemple si le cordon d'alimentation ou la fiche sont endommagés, en cas de dommages en raison de renversement de liquides ou de chutes d'objets dans l'appareil, d'une exposition à la pluie ou à l'humidité, ou si l'appareil ne fonctionne pas normalement, ou est tombé.
15. Cet appareil ne doit pas être exposé à des gouttes ou des éclaboussures d'eau et aucun objet rempli de liquide, comme un vase, ne doit être placé sur l'appareil.
16. Attention, afin d'éviter tout risque d'électrocution, bien insérer la fiche secteur correctement et entièrement.
17. Veillez à assurer une ventilation correcte autour de l'unité.
18. L'adaptateur secteur direct est utilisé comme dispositif de déconnexion, le dispositif de déconnexion doit rester facilement accessible.
19. Les piles (pack de piles ou piles installées) ne doivent pas être exposées à une chaleur excessive comme le soleil, le feu ou similaire.



ENGLISH

FRANÇAIS

DEUTSCHE

ESPAÑOL

ITALIANO



ATTENTION : POUR REDUIRE LE RISQUE D'ELECTROCUTION, NE PAS OUVRIR LE CAPOT (OU LA FACE ARRIERE). NE CONTIENT AUCUNE PIECE QUE L'UTILISATEUR PEUT ENTREtenir. CONFIER L'ENTRETIEN A DU PERSONNEL D'ENTRETIEN QUALIFIE.

ATTENTION : RISQUE D'ÉLECTROCUTION ! NE PAS OUVRIR !



Cet éclair avec le symbole de flèche dans un triangle équilatéral est destiné à alerter l'utilisateur de la présence de « tension dangereuse » non isolée à l'intérieur du produit qui peut être d'une importance suffisante pour constituer un risque de choc électrique.



Le point d'exclamation dans un triangle équilatéral est destiné à alerter l'utilisateur de la présence d'importantes instructions de fonctionnement et d'entretien dans la documentation accompagnant l'appareil.

AVERTISSEMENT ! POUR EVITER UN INCENDIE OU UNE ELECTROCUTION. NE PAS UTILISER CETTE FICHE AVEC UNE RALLONGE, OU TOUTE AUTRE PRISE, SAUF SI LES BROCHES PEUVENT ÊTRE ENTIÈREMENT ENFONCÉES POUR EVITER QU'ELLES NE SOIENT EXPOSÉES. POUR EVITER UN INCENDIE OU UNE ELECTROCUTION. NE PAS EXPOSER CET APPAREIL A LA PLUIE OU A L'HUMIDITE. POUR EVITER TOUT RISQUE D'ELECTROCUTION, BIEN INSERER LA FICHE SECTEUR, CORRECTEMENT ET ENTIÈREMENT.

Informations de sécurité importantes

Règles et règlements de la FCC

Les récepteurs sans fil Samson sont certifiés en vertu des règles de la partie 15 de la FCC et les émetteurs sont certifiés en vertu des règles de la partie 74 de la FCC.

La concession de licence des équipements Samson est de la responsabilité de l'utilisateur et elle dépend de la classification, de l'application et de la fréquence sélectionnées par l'utilisateur.

REMARQUE : Cet équipement a été testé et jugé conforme aux limites d'un appareil numérique de classe B, conformément à la partie 15 des règles de la FCC. Ces limites sont conçues pour assurer une protection raisonnable contre les interférences nuisibles dans une installation résidentielle. Cet équipement génère, utilise et peut émettre une énergie de radiofréquence et, si non installé et utilisé conformément aux instructions, il peut causer des interférences nuisibles aux communications radio. Cependant, il n'y a aucune garantie que l'interférence ne se produira pas dans une installation particulière. Si cet appareil provoque des interférences nuisibles à la réception radio ou de télévision, ce qui peut être déterminé en mettant l'appareil hors et sous tension, l'utilisateur est invité à essayer de corriger l'interférence par une ou plusieurs des mesures suivantes :

- Modifier l'orientation ou l'emplacement de l'antenne de réception.
- Augmenter la distance entre l'équipement et le récepteur.
- Brancher l'appareil dans une prise sur un circuit différent de celui auquel le récepteur est connecté.
- Demander de l'aide au revendeur ou à un technicien radio/TV expérimenté.

AVERTISSEMENT ! Tout changement ou modification n'ayant pas été expressément approuvé(e) par la partie responsable de la conformité pourrait annuler l'autorité de l'utilisateur à utiliser ce dispositif.

Cet appareil est conforme à la norme RSS -210 d'Industrie & Science Canada. Son fonctionnement est soumis aux deux conditions suivantes :

- (1) cet appareil ne peut causer d'interférences nuisibles et
- (2) cet appareil doit accepter toute interférence reçue, notamment celles pouvant entraîner un dysfonctionnement.

Cet équipement est destiné à être utilisé dans des applications de microphones sans fil.

L'équipement est destiné à la vente dans : AT, BE, CH, CY, CZ*, DK, EE, FI*, FR*, DE*, GR*, HU, IE, IS, IT, LV, LT*, LU, MT*, NL, NO*, PL* PT, RO, SK, SI, ES, SE, UK

*Sous réserve de la licence. Veuillez contacter les autorités nationales relatives à la fréquence pour obtenir des informations sur l'utilisation légale disponible dans votre région. Tout changement ou modification non expressément approuvés par Samson Technologies Corp. pourrait annuler votre droit d'utiliser l'équipement.



Pour mettre ce produit au rebut, ne le mélangez pas aux ordures ménagères. Il existe un système de collecte séparée pour les produits électroniques usagés, conformément à la législation qui prévoit le traitement, la récupération et le recyclage corrects.

Les ménages dans les 28 états membres de l'UE, en Suisse et en Norvège peuvent mettre au rebut leurs produits électroniques usagés gratuitement auprès d'installations de collecte agréées ou auprès d'un détaillant (si vous achetez un produit neuf similaire).

Pour les pays non mentionnés ci-dessus, veuillez contacter les autorités locales pour connaître la méthode de traitement appropriée.

Ce faisant, vous vous assurez que votre produit subit le traitement, la récupération et le recyclage nécessaires et prévenez ainsi les effets négatifs potentiels sur l'environnement et la santé humaine.

Introduction

Merci d'avoir acheté le système sans fil Concert 99 de Samson. Le Concert 99 est la solution idéale pour un interprète actif qui a besoin d'un système sonore fiable et exceptionnel pour les applications sans fil. Doté d'un grand écran LCD rétro-éclairé, très simple d'utilisation grâce à la sélection de canaux par recherche automatique, et un ensemble infrarouge pour la synchronisation du canal de l'émetteur et du récepteur, le Concert 99 est simple et facile à installer et à utiliser. Le système Concert 99 assure un son clair et sans interruption, grâce à une conception True Diversity RF dotée d'une tonalité pilote et d'une fonction auto-mute. Cette configuration permet une distance maximale de fonctionnement ainsi que l'élimination de tout bruit de fond lorsque l'émetteur est hors de portée ou hors tension.

Le modèle Concert 99 se décline en quatre configurations. Le système de poche vocale comprend l'émetteur de poche CH99 avec la capsule de microphone dynamique du modèle Q8 supplémentaire de Samson. Le système de sac de ceinture CB99 peut être configuré soit avec le microphone oreillette SE10, le micro-cravate LM10, ou un câble d'instrument d'1/4". Le Concert 99 est livré avec un kit de montage en rack standard de 19" pour les installations permanentes ou le transport dans un rack mobile.

Ces pages vous présentent une description détaillée des caractéristiques du système sans fil ainsi que des instructions pas-à-pas d'installation et d'utilisation. Si vous avez acheté votre système sans fil en dehors des États-Unis, une carte d'inscription vous est fournie. Vous trouverez également des informations sur la façon d'enregistrer votre produit en ligne afin de bénéficier du support technique en ligne, et pour que nous puissions vous envoyer des informations à jour à ce sujet et d'autres produits Samson à l'avenir. De même, assurez-vous de consulter notre site Web www.samsontech.com pour en savoir plus sur notre ligne complète de produits.

Nous vous recommandons de conserver les informations suivantes pour référence, ainsi que la copie de votre facture.

Numéro de série du récepteur : _____

Numéro de série de l'émetteur : _____

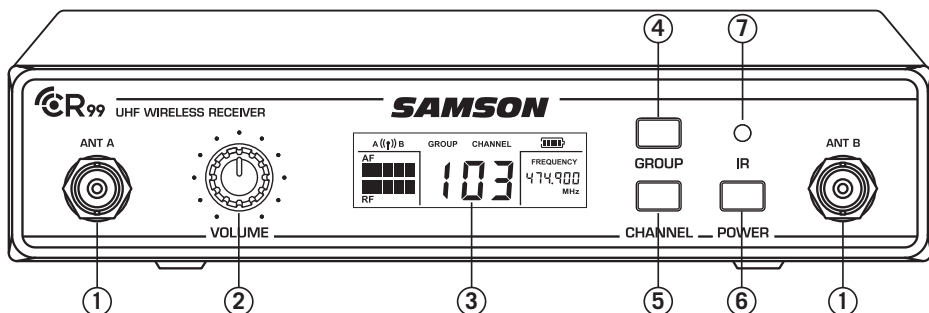
Date d'achat : _____

En l'entretenant et en l'utilisant correctement, vous bénéficierez de votre système sans fil Concert 99 pendant de nombreuses années. Si votre système sans fil doit être réparé, vous devez demander un numéro RA (Autorisation de retour, Return Authorization) avant d'expédier votre appareil à Samson. Sans ce numéro, l'unité ne sera pas acceptée. Veuillez appeler Samson au numéro 1-800-3SAMSON (1-800-372-6766) pour obtenir un numéro RA avant d'expédier votre appareil. Veuillez conserver les éléments d'emballage d'origine et, si possible, retourner l'appareil dans son carton d'origine. Si vous avez acheté votre système Concert 99 en dehors des États-Unis, contactez votre distributeur local pour en savoir plus sur la garantie et les services d'entretien.

Fonctions du système

- Système sans fil professionnel à utiliser à la fois pour diffuser du son en direct et pour d'autres applications sonores
- La technologie True RF Diversity maximise la portée active (jusqu'à 300 pieds, 100 mètres) et réduit les interférences potentielles
- 80 canaux disponibles fonctionnant dans la bande UHF conçue pour une compatibilité maximale du système dans le même emplacement sans interférence
- Le récepteur CR99 est une unité demi-rack en métal qui peut être utilisée de manière autonome ou montée dans des racks standard de 19", à l'aide du kit de rack inclus, ce qui facilite son intégration lors de déplacement ou au sein d'un système audio fixe
- La touche de tonalité et la fonction auto-mute assurent une exécution précise, sans interruption permettant uniquement le passage du signal audio de l'émetteur à travers le récepteur, et la coupure de la sortie si l'émetteur est éteint ou hors de portée.
- Portée jusqu'à 300 pieds (100 mètres) (ligne de mire)
- Jusqu'à huit heures de durée de vie de la batterie, à l'aide de deux piles AA standard

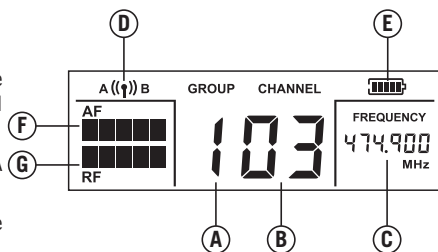
Émetteur CR99 - Repères avant



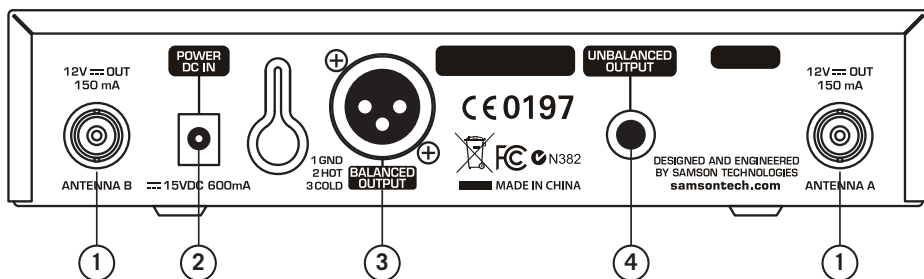
- 1. Prises d'antenne** - Les prises d'antenne BNC avant opèrent une rotation complète pour un positionnement optimal. En fonctionnement normal, les deux antennes doivent être positionnées verticalement.
- 2. Commande de VOLUME** - Ce bouton permet de régler le niveau du signal audio de sortie à travers les deux prises de sortie symétriques et asymétriques sur le panneau arrière. Le niveau de référence est obtenu lorsque le bouton est complètement tourné dans le sens horaire (à son réglage "10").
- 3. Écran LCD** - Affiche les paramètres de l'émetteur et du récepteur.
- 4. Touche GROUP** - Appuyez et relâchez la touche pour faire défiler les groupes disponibles. Appuyez sur la touche et maintenez-la enfoncée pour rechercher les canaux disponibles au sein du groupe sélectionné.
- 5. Touche CHANNEL** - Appuyez et relâchez pour faire défiler les canaux disponibles au sein d'un groupe. Appuyez sur la touche et maintenez-la enfoncée pour passer en mode Set IR (Régler infrarouge) permettant pour définir le canal d'exploitation de l'émetteur.
- 6. Touche POWER** - Appuyez sur la touche et maintenez-la enfoncée pour mettre sous et hors tension le système CR99.
- 7. Émetteur IR** - Au cours du "IR SET" (Réglage IR), une lumière infrarouge est utilisée pour définir le canal de l'émetteur.

Écran du récepteur

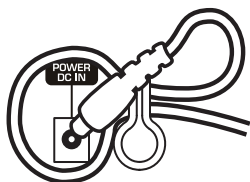
- A. Group** - Affiche le groupe sélectionné
- B. Channel** - Affiche le canal sélectionné
- C. Frequency** - Indique la fréquence de fonctionnement du groupe et du canal sélectionnés.
- D. Antenna Indicator** - Indique l'antenne active (A ou B).
- E. Transmitter Battery Level** - Indique le niveau de la batterie de l'émetteur.
- F. Audio Meter** - Indique la force du signal audio entrant.
- G. RF Signal Meter** - Indique la force du signal radio entrant.



Récepteur CR99 - Repères arrière



- 1. Prises d'antenne** - Les prises d'antenne BNC arrière opèrent une rotation complète pour un positionnement optimal. En fonctionnement normal, les deux antennes doivent être positionnées verticalement.
- 2. Entrée CC** - Branchez l'adaptateur d'alimentation fourni, en utilisant un dispositif de décharge de traction comme indiqué dans l'illustration ci-dessous. **AVERTISSEMENT !** Ne pas remplacer par un autre type de bloc d'alimentation. Cela peut provoquer de graves dommages au système CR99 et annulera votre garantie.
- 3. BALANCED OUTPUT (SORTIE SYMETRIQUE)** - Utilisez cette prise XLR à faible impédance électriquement symétrique (600 Ohm) lors du raccordement du système CR99 à un équipement audio professionnel (+ 4dBu). Le câblage des broches est le suivant : Broche Pin 1 terre, Broche 2 élevé (positif) et broche 3 faible (négatif).
- 4. UNBALANCED OUTPUT (SORTIE ASYMETRIQUE)** - Utilisez cette prise d'1/4" à impédance élevée asymétrique (5 KOhm) lors du raccordement du système CR99 à un équipement audio grand public (+ 10 dBV). Le câblage est comme suit : pointe positive, anneau masse.



Utilisation du dispositif de décharge de traction : Rassemblez une boucle de fil et faites-la passer à travers le dispositif de décharge de traction, puis passez l'adaptateur dans la boucle afin de créer un nœud.

Émetteur de ceinture CB99 - Repères

1. **Connecteur d'entrée** - Raccorde le dispositif d'entrée via le connecteur mini-XLR. Le système CB99 est fourni avec au choix un micro-cravate ou un micro-casque ou un câble d'instrument de ¼".

2. **Indicateur d'état** - Ce voyant affiche le mode de fonctionnement :

VERT	Fonctionnement normal
ROUGE	Silence
VERT clignotant	Batterie faible

3. **Touche Power/Mute** - Appuyez sur la touche et maintenez-la enfoncée pour mettre l'unité sous et hors tension. Appuyez et relâchez pour activer et désactiver la coupure du son de l'émetteur.

4. **Pince de ceinture** - Utilisez cette pince pour fixer l'émetteur CB99 à une ceinture ou à une sangle de guitare.

5. **Ouverture du couvercle de batterie** - Appuyez des deux côtés puis tirez vers l'arrière pour ouvrir le couvercle de la batterie du système CB99.

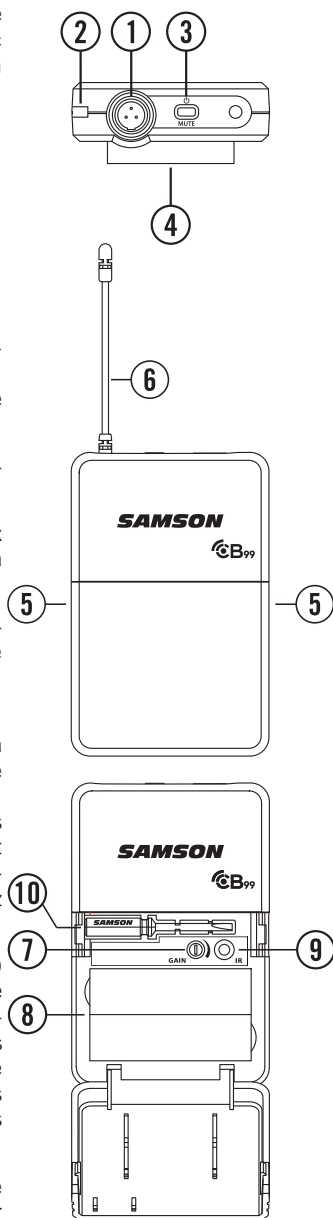
6. **Antenne** - Cette antenne émettrice fixée de manière permanente doit être complètement déployée pendant le fonctionnement normal.

7. **Commande de GAIN d'entrée** - Cette commande ajuste la sensibilité d'entrée de l'émetteur pour qu'il fonctionne conjointement avec les entrées micro et des instruments. Pour des performances optimales, à l'aide du tournevis fourni, réglez la commande de GAIN d'entrée à l'endroit où l'indicateur maximum du compteur audio CR99 commence à s'allumer sous des niveaux élevés, puis diminuez lentement jusqu'à ce que l'indicateur maximal s'éteigne.

8. **Support de batterie** - Insérez deux piles AA standard (LR6) ici, en vous assurant d'observer les repères de polarité plus et moins indiqués. Bien que les piles NiCad rechargeables et les piles NiMH puissent être utilisées, elles ne fournissent pas un courant adéquat pendant plus de quatre heures. **AVERTISSEMENT !** N'insérez pas les piles vers l'arrière ; cela peut provoquer de graves dommages au système CB99 et annulera votre garantie.

9. **IR Lens (Lentille infrarouge)** - Cette lentille est utilisée pour capturer le signal infrarouge envoyé par le récepteur CR99 lors du réglage IR (SET IR) pour canaliser l'émetteur.

10. **Tournevis en plastique** - Conçu pour être utilisé lors du réglage de la commande GAIN d'entrée du système CB99 (# 7).



Émetteur de poche CH99 - Repères

1. **Indicateur d'état** - Ce voyant affiche le mode de fonctionnement :

VERT	Fonctionnement normal
ROUGE	Silence
VERT clignotant	Batterie faible

2. **Touche Power/Mute** - Appuyez sur la touche et maintenez-la enfoncée pour mettre l'unité sous et hors tension. Appuyez et relâchez pour activer et désactiver la coupure du son de l'émetteur.

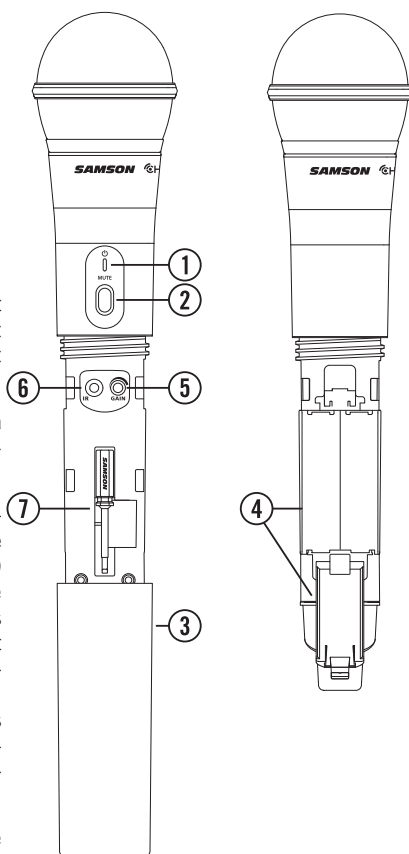
3. **Couvercle de batterie** - Dévissez le couvercle de la batterie et faites-le coulisser pour ouvrir le compartiment de la batterie du CH99.

4. **Support de batterie** - Ouvrez le support de batterie en appuyant sur la languette et en levant le couvercle. Insérez deux piles AA standard (LR6) ici, en vous assurant d'observer les repères de polarité plus et moins indiqués. Bien que les piles NiCad rechargeables et les piles NiMH puissent être utilisées, elles ne fournissent pas un courant adéquat pendant plus de quatre heures. **AVERTISSEMENT !** N'insérez pas les piles vers l'arrière ; cela peut provoquer de graves dommages au système CH99 et annulera votre garantie.

5. **Commande de GAIN d'entrée** - Cette commande ajuste la sensibilité d'entrée de l'émetteur. Pour des performances optimales, à l'aide du tournevis fourni, réglez la commande de GAIN d'entrée à l'endroit où l'indicateur maximum du compteur audio CR99 commence à s'allumer sous des niveaux élevés, puis diminuez lentement jusqu'à ce que l'indicateur maximal s'éteigne.

6. **IR Lens (Lentille infrarouge)** - Cette lentille est utilisée pour capturer le signal infrarouge envoyé par le système CR99 lors du réglage IR (SET IR) pour canaliser l'émetteur. Le couvercle de la batterie doit être ouvert et la lentille IR doit être orientée vers le récepteur pour charger le canal sélectionné.

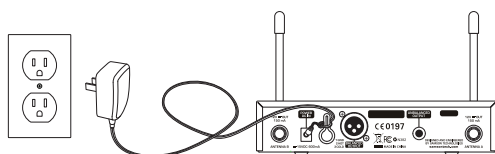
7. **Tournevis en plastique** - Conçu pour être utilisé lors du réglage de la commande GAIN d'entrée du système CB99 (voir # 5 Commande de GAIN d'entrée HH).



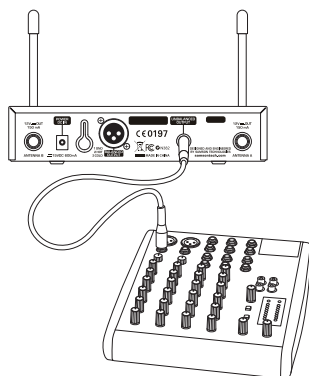
Démarrage rapide

Pour que votre système sans fil fonctionne correctement, le récepteur et l'émetteur doivent être réglés sur le même canal. Suivez cette procédure de base pour la mise en place et l'utilisation de votre système sans fil Concert 99 :

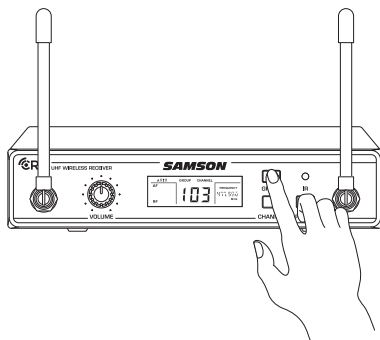
1. Placez le récepteur à CR99 où il sera utilisé, et déployez les antennes verticalement. La règle générale est de maintenir la "ligne de mire" entre le récepteur et l'émetteur afin que la personne utilisant ou portant l'émetteur puisse voir le récepteur.
2. Avec le système CR99 hors tension, branchez l'adaptateur secteur fourni. Allumez le système CR99 momentanément pour confirmer que l'appareil est sous tension. Puis éteignez le système CR99.



3. Avec l'amplificateur ou le mixeur hors tension et la commande de volume au niveau le plus faible, reliez la prise de sortie du récepteur CR99 à l'entrée micro ou à l'entrée de niveau de ligne d'un mixeur ou d'un amplificateur via la sortie XLR symétrique ou la sortie de niveau de ligne asymétrique d'1/4". Tournez le bouton de niveau à fond dans le sens antihoraire sur le système CR99, puis mettez ce dernier sous tension.

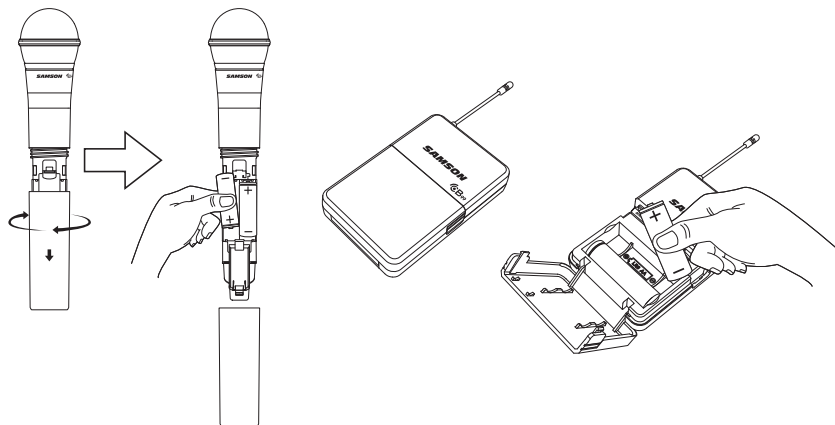


4. Appuyez et maintenez la touche GROUP enfoncée sur la face avant du récepteur CR99 pour rechercher un canal disponible dans le groupe sélectionné.

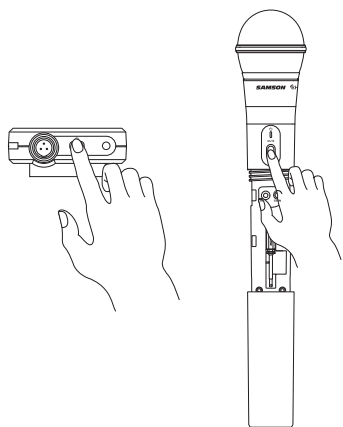


Démarrage rapide

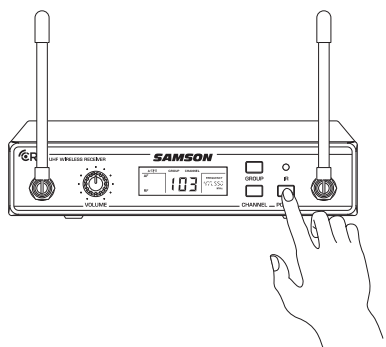
5. Avec l'émetteur hors tension, installez deux piles AA neuves dans le sac de ceinture CB99 ou dans l'émetteur de poche CH99. Laissez le compartiment de la batterie ouvert.



6. Allumez l'émetteur en appuyant sur l'interrupteur d'alimentation; le voyant devient vert.

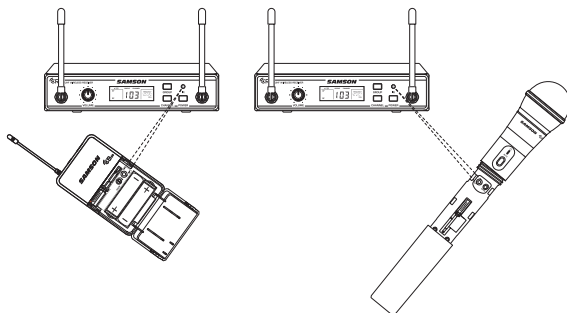


7. Appuyez et maintenez enfoncée la touche CR99 CHANNEL pour exécuter le réglage IR Set qui synchronise l'émetteur sur le même canal que le récepteur, via une transmission infrarouge.



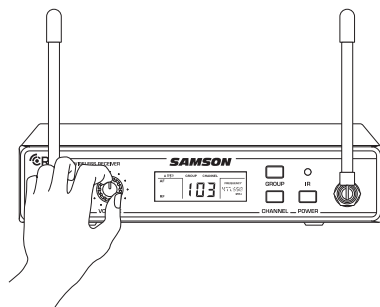
Démarrage rapide

8. Positionnez l'émetteur à environ 6-12" (15-30 cm) depuis l'avant du CR99 avec la lentille infrarouge de l'émetteur face à l'émetteur IR sur le panneau avant du récepteur CR99.



9. Lorsque la transmission est terminée, le CR99 reçoit le signal RF et la clé de tonalité à partir de l'émetteur. Le compteur RF du CR99 s'allume alors pour indiquer qu'il reçoit le signal sans fil de l'émetteur.

10. Allumez alors l'amplificateur connecté ou un mixeur, mais maintenez le volume au plus bas. Réglez le bouton de volume sur le CR99 dans le sens horaire (à son réglage "10"). Il s'agit du gain de l'unité.



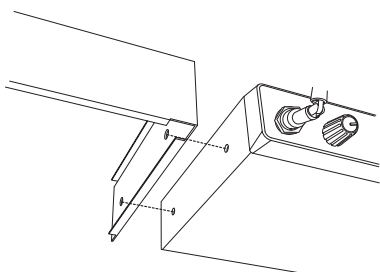
11. Parlez ou chantez dans le microphone, ou si l'émetteur est utilisé avec un instrument connecté, jouez de l'instrument au niveau de performance normal. Augmentez lentement le volume de l'amplificateur ou du mixeur, jusqu'à atteindre le niveau souhaité.
12. Faites le tour de la salle de concert pour vous assurer que la couverture est cohérente dans l'ensemble. Si vous observez que le système présente des pertes notables, une diminution de l'amplitude de fonctionnement en général, ou des salves de bruit inattendues, modifiez le canal de fonctionnement du système en suivant les étapes ci-dessus.

Lors de l'utilisation de plusieurs systèmes, chaque système doit être réglé sur un canal d'exploitation différent. Réglez tous les émetteurs et récepteurs supplémentaires sur le même groupe afin de maximiser le nombre de canaux compatibles. Lors du réglage d'émetteurs supplémentaires, assurez-vous de fermer tous les autres compartiments de la batterie de l'émetteur pour veiller à ce que la lentille IR soit couverte. Effectuez une recherche de canal pour chaque émetteur pour sélectionner le canal optimal.

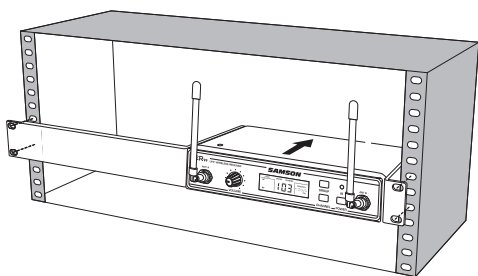
Montage sur rack

Le récepteur CR99 peut être installé dans un rack standard de 19" pour le transport ou l'installation permanente en utilisant les adaptateurs de rack inclus. Exécutez les simples étapes suivantes pour installer le CR99 :

Fixez les adaptateurs de rack inclus en vissant chaque adaptateur de chaque côté du système CR99.

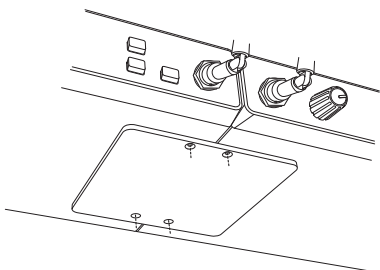


Placez le récepteur CR99 dans un espace de rack disponible et faites-le glisser jusqu'à ce que les adaptateurs de rack touchent les rails du montant de rack et soient alignés avec les trous dans les rails du rack.

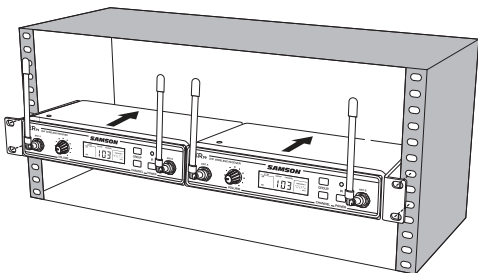


Montez le récepteur dans le rack à l'aide de vis de rack de taille appropriée (non inclus). Pour assurer une tension et un équilibre homogènes lors de l'installation du récepteur, les vis doivent être serrées en opérant en croix aux coins opposés : en haut à gauche -> en bas à droite -> en haut à droite -> en bas à gauche.

Pour monter deux récepteurs CR99 dans un seul espace de rack, le système comprend une pièce de connexion centrale. Vissez la pièce centrale au bas de chaque récepteur de connexion et fixez les adaptateurs courts de rack sur chaque récepteur.



Montez les récepteurs dans le rack en opérant en croix, comme décrit ci-dessus.



Plans des canaux

Groupe K 470–494 MHz								
	Canal							
Groupe	00	01	02	03	04	05	06	07
0	473,050	474,425	474,900	480,475	484,075	486,975	487,975	492,425
1	470,125	471,500	471,975	477,550	481,150	484,050	485,050	489,500
2	470,525	471,900	472,375	477,950	481,550	484,450	485,450	489,900
3	471,075	472,450	472,925	478,500	482,100	485,000	486,000	490,450
4	471,475	472,850	473,325	478,900	482,500	485,400	486,400	490,850
5	472,025	473,400	473,875	479,450	483,050	485,950	486,950	491,400
6	472,425	473,800	474,275	479,850	483,450	486,350	487,350	491,800
7	473,375	474,750	475,225	480,800	484,400	487,300	488,300	492,750
8	473,925	475,300	475,775	481,350	484,950	487,850	488,850	493,300
9	474,325	475,700	476,175	481,750	485,350	488,250	489,250	493,700

Groupe D 542–566 MHz								
	Canal							
Groupe	00	01	02	03	04	05	06	07
0	545,050	546,425	546,900	552,475	556,075	558,975	559,975	564,425
1	542,125	543,500	543,975	549,550	553,150	556,050	557,050	561,500
2	542,525	543,900	544,375	549,950	553,550	556,450	557,450	561,900
3	543,075	544,450	544,925	550,500	554,100	557,000	558,000	562,450
4	543,475	544,850	545,325	550,900	554,500	557,400	558,400	562,850
5	544,025	545,400	545,875	551,450	555,050	557,950	558,950	563,400
6	544,425	545,800	546,275	551,850	555,450	558,350	559,350	563,800
7	545,375	546,750	547,225	552,800	556,400	559,300	560,300	564,750
8	545,925	547,300	547,775	553,350	556,950	559,850	560,850	565,300
9	546,325	547,700	548,175	553,750	557,350	560,250	561,250	565,700

Plans des canaux

Groupe F* 606-630 MHz								
Canal								
Groupe	00	01	02	03	04	05	06	07
0	609,050	610,425	610,900	616,475	620,075	622,975	623,975	628,425
1	606,125	607,500	607,975	613,550	617,150	620,050	621,050	625,500
2	606,525	607,900	608,375	613,950	617,550	620,450	621,450	625,900
3	607,075	608,450	608,925	614,500	618,100	621,000	622,000	626,450
4	607,475	608,850	609,325	614,900	618,500	621,400	622,400	626,850
5	608,025	609,400	609,875	615,450	619,050	621,950	622,950	627,400
6	608,425	609,800	610,275	615,850	619,450	622,350	623,350	627,800
7	609,375	610,750	611,225	616,800	620,400	623,300	624,300	628,750
8	609,925	611,300	611,775	617,350	620,950	623,850	624,850	629,300
9	610,325	611,700	612,175	617,750	621,350	624,250	625,250	629,700

Groupe L* 823-832 MHz								
Canal								
Groupe	00	01	02	03	04	05	06	07
0	823,125	824,125	825,325	826,725	827,925	828,325	829,700	830,800
1	823,225	824,225	825,425	826,825	828,025	828,425	829,800	830,900
2	823,325	824,325	825,525	826,925	828,125	828,525	829,900	831,000
3	823,425	824,425	825,625	827,025	828,225	828,625	830,000	831,100
4	823,525	824,525	825,725	827,125	828,325	828,725	830,100	831,200
5	823,625	824,625	825,825	827,225	828,425	828,825	830,200	831,300
6	823,725	824,725	825,925	827,325	828,525	828,925	830,300	831,400
7	823,825	824,825	826,025	827,425	828,625	829,025	830,400	831,500
8	823,925	824,925	826,125	827,525	828,725	829,125	830,500	831,600
9	824,025	825,025	826,225	827,625	828,825	829,225	830,600	831,700

* A ne pas utiliser aux États-Unis et au Canada. Pour connaître les canaux disponibles dans votre région, contactez votre distributeur Samson local.

Dépannage

Problème	Solutions
Pas de signal audio	Assurez-vous que l'émetteur et le récepteur sont tous deux sous tension.
	Assurez-vous que les piles de l'émetteur sont correctement installées.
	Vérifiez que le son de l'émetteur n'est pas désactivé.
	Vérifiez que l'adaptateur du récepteur CR99 est correctement connecté et branché sur une prise électrique.
	Assurez-vous que les câbles de sortie audio sont correctement connectés au récepteur CR99.
	Assurez-vous que le récepteur et l'émetteur sont en ligne de mire l'un par rapport à l'autre.
	Vérifiez les commandes de niveau du dispositif d'entrée audio et du récepteur.
	Veillez à ce que l'émetteur et le récepteur soient réglés sur le même canal d'exploitation. En cas de doute, réinitialisez le canal en effectuant un réglage IR set.
Distorsion du signal audio	Le niveau de sortie du récepteur ou le niveau du dispositif d'entrée audio peuvent être trop élevés.
	Vérifiez les piles des émetteurs, et remplacez-les si elles sont faibles.
	Le gain d'entrée sur l'émetteur ou le niveau de la source audio peut être trop élevé.
Pertes de niveau audio	L'émetteur peut être trop loin du récepteur. Rapprochez-le du récepteur, ou repositionnez les antennes.
	Éliminez toutes les sources d'interférences RF telles que des téléphones cellulaires, des téléphones sans fil, des appareils d'éclairage, des ordinateurs, des structures métalliques, etc.
	Déplacez le récepteur au niveau supérieur du rack d'équipement ou placez-le sur le dessus de l'équipement pour vous assurer qu'il n'y a pas d'obstacles bloquant la ligne de mire de l'émetteur.
Le récepteur ne s'allume pas	Vérifiez l'adaptateur pour vous assurer qu'il est correctement connecté et branché sur une prise alimentée.
L'émetteur ne s'allume pas	Remplacez les piles de l'émetteur.
Bruit parasite ou interférence	En cas d'utilisation de plusieurs systèmes, assurez-vous qu'aucun des systèmes ne fonctionne sur le même canal. Si le problème persiste, changez un ou tous les canaux des systèmes.
	En cas d'utilisation de plusieurs systèmes, réglez tous les récepteurs sur le même groupe. Effectuez une recherche de canal au sein du groupe pour sélectionner le canal optimal.

Spécifications

Systeme

Plage de fonctionnement	300' (100 m) ligne de mire
Réponse en fréquence audio	50 Hz - 15 kHz
T.H.D. (Global)	<1% (à AF 1 kHz, RF 46 dBu)
Plage dynamique	>103 dB A-pondéré
Rapport signal/bruit	>90 dB
Température de fonctionnement	-10°C (14°F) à +60°C (+140°F)
Fréquence de touche de tonalité	35 000 kHz

Émetteur de ceinture CB99

Connecteur d'entrée	Mini-XLR (P3)
Impédance d'entrée	1 MΩ
Plage de gain d'entrée	38 dB
Puissance RF	10 mW EIRP
Puissance nécessaire	Deux piles alcalines AA (LR6)
Durée de vie de la pile	8 heures
Dimensions (HxLxP)	3.75" x 2.44" x 0.75" 96 mm x 62 mm x 18,5 mm
Poids	0,2 lb / 93 g

Émetteur de poche CH99

Élément du microphone	Dynamique
Plage de gain d'entrée	28 dB
Puissance RF	10 mW EIRP
Puissance nécessaire	Deux piles alcalines AA (LR6)
Durée de vie de la pile	8 heures
Dimensions (HxØ)	10.23" x 2.1" 260 mm x 54 mm
Poids	0,48 lb / 218 g

Récepteur CR99

Niveau de sortie audio - asymétrique	+14 dBu
Niveau de sortie audio - symétrique	+9 dBu
Impédance de sortie audio - asymétrique	810 Ohms
Impédance de sortie audio - symétrique	240 Ohms
Sensibilité	-100 dBm / 30 dB sinad
Suppression de la fréquence--image	>50 dB
Tension de fonctionnement	15 V CC 200 mA
Dimensions (LxHxP)	7.87" x 5.9" x 1.6" 200 mm x 150 mm x 42 mm
Poids	2,08lb / 0,946kg

Chez Samson, nous améliorons nos produits en permanence ; les spécifications et les images sont donc sujettes à modification sans préavis.

ENGLISH

FRANÇAIS

DEUTSCHE

ESPAÑOL

ITALIANO

Déclaration de conformité à la directive R&TTE

Conformément aux normes EN ISO 17050:2005

Nous, Samson Technologies Corporation, situés à 45 Gilpin Ave, Hauppauge, NY 11788 États-Unis, déclarons sous notre propre responsabilité que les produits :

Nom du produit :Microphone sans fil Concert 99

Nom de marque :Samson

Type ou modèle :CR99 (Récepteur), CH99 (Émetteur de poche), CB99 (Émetteur de ceinture)

sont en conformité avec les exigences essentielles des directives CE suivantes lorsqu'ils sont installés conformément aux instructions d'installation contenues dans la documentation du produit :

2006/95/CE - Directive basse tension

2004/108/CE - Directive CEM

1999/5/CE - Directive R&TTE

Le produit est en conformité avec les normes suivantes et/ou d'autres documents normatifs :

EN60065:2014

Appareils audio, vidéo et appareils électroniques analogues. Exigences de sécurité

EN301 489-1 V1.9.1

Exigences techniques communes.

EN301 489-9 V1.4.1

Conditions particulières pour les microphones sans fil et autres équipements radio (RF) pour des liaisons audio, les appareils audio sans fil et les oreillettes de liaison audio de retour.

EN300 422-1 V1.5.1

Caractéristiques techniques et méthodes.

EN300 422-2 V1.4.1

Norme européenne (EN) harmonisée couvrant les exigences essentielles du paragraphe 3, article 2 de la directive R&TTE

EN62479 4222010 V1.4.1

Norme européenne (EN) harmonisée couvrant les exigences essentielles de l'article 3.1 a de la Directive R&TTE

Année du marquage CE (Directive basse tension) : 2015

Marque d'identification : **0197** (Notifié par le numéro d'organisme)

Cet équipement porte également l'identifiant d'équipement de Classe 2 :

Signé au nom du fabricant :

Représentant autorisé :

Douglas Bryant

Titre : Vice Président, Ingénierie

Date : 12/5/2015



CE 0197

Par la présente, Samson Technologies Corp., déclare que ces appareils CR99, CH99, CB99 sont conformes aux exigences essentielles et autres dispositions pertinentes de la directive 1999/5/CE. Cette déclaration de conformité peut être consultée à l'adresse :

www.samsontech.com/samson/products/wireless-systems/concert-99/concert99hh/#downloads-and-manuals-tab

Wichtige Sicherheitshinweise

1. Lesen Sie die in diesem Handbuch enthaltenen Anweisungen.
2. Bewahren Sie dieses Handbuch sorgfältig und griffbereit auf.
3. Beachten Sie sämtliche Warnhinweise.
4. Befolgen Sie sämtliche Anweisungen.
5. Nehmen Sie dieses Gerät nicht in der Nähe von Wasser in Betrieb.
6. Reinigen Sie Ihr Gerät ausschließlich mit einem trockenen Tuch.
7. Achten Sie darauf, dass die Entlüftungsöffnungen frei bleiben. Stellen Sie das Gerät gemäß den Anweisungen des Herstellers auf.
8. Stellen Sie das Gerät nicht in der Nähe von Wärmequellen wie Heizstrahlern, Wärmespeichern, Öfen oder anderen Wärme erzeugenden Geräten (auch nicht Verstärkern) auf.
9. Achten Sie darauf, dass die Schutzfunktion des Schutzkontaktsteckers oder gepolten Steckers stets gewährleistet ist. Ein polarisierter Stecker besitzt zwei Kontakte, von denen einer breiter als der andere ist. Ein Schutzkontaktstecker besitzt zwei Kontakte und einen Kontaktstift für die Erdung. Der breite Kontakt (oder der Kontaktstift als dritter Kontakt) ist zum Zwecke der Sicherheit des Benutzers da. Falls der mitgelieferte Stecker nicht in die Steckdose an Ihrem Standort passt, wenden Sie sich an einen qualifizierten Elektriker, damit dieser die Steckdose durch eine neue ersetzen kann.
10. Vermeiden Sie es, auf das Netzkabel zu treten oder dieses anderweitig einzuklemmen. Dies gilt insbesondere für den Bereich von Stecker, Steckdose und dem Punkt, an dem das Kabel aus dem Gerät austritt.
11. Verwenden Sie Aufbaugeräte und Zubehörprodukte nur dann, wenn der Hersteller diese spezifiziert hat.
12. Verwenden Sie nur dann ein Gehäuse auf Rollen, ein Stativ oder einen Tisch, wenn dieser/s vom Hersteller spezifiziert ist oder zum Lieferumfang des Geräts gehört. Seien Sie beim Verwenden eines Gehäuses auf Rollen äußerst vorsichtig, wenn Sie den Wagen samt Gerät verschieben. Wenn der Wagen kippt, können Sie sich dabei verletzen.
13. Ziehen Sie den Netzstecker des Geräts, wenn ein Gewitter aufzieht oder das Gerät für längere Zeit ungenutzt bleiben wird.
14. Überlassen Sie sämtliche Wartungs- und Reparaturarbeiten ausschließlich entsprechend qualifizierten Fachkräften. Eine Reparatur ist erforderlich, wenn das Gerät beschädigt wurde – z. B. Beschädigung von Netzkabel oder Netzstecker, Benetzen mit Flüssigkeit durch Verschütten oder Hineinfallen von Gegenständen in das Gerät. Weitere Ursachen: wenn das Gerät Regen oder Feuchtigkeit ausgesetzt wurde, nicht ordnungsgemäß funktioniert oder fallen gelassen wurde.
15. Auf das im Folgenden beschriebene Gerät darf Flüssigkeit weder tropfen noch spritzen. Stellen Sie daher keine Flüssigkeit enthaltenden Gefäße (z. B. eine Vase) oben auf dem Gerät ab.
16. Achten Sie, um Stromschläge zu verhindern, darauf, dass der Stecker mit breiten Kontakten vollständig in die breite Steckdose eingesteckt wird.
17. Achten Sie auf gute Entlüftung in unmittelbarer Umgebung des Geräts.
18. Der direkt einsteckbare Adapter wird als Trennvorrichtung verwendet. Die Trennvorrichtung bleibt dabei jedoch funktionstüchtig.
19. Die Akkus (Akkupack oder eingesetzte Batterien) dürfen übermäßiger Hitze, d. h. Sonnenschein, Feuer usw. nicht ausgesetzt werden.



ACHTUNG RISQUE D'ÉLECTROCUTION ! NE PAS OUVRI

ACHTUNG: NEHMEN SIE, UM STROMSCHLÄGE ZU VERMEIDEN, FRONTBLLENDE UND RÜCKWAND NICHT SELBST AB. IM INNEREN DES GERÄTS BEFINDEN SICH KEINE VOM NUTZER ZU WARTENDE TEILE. ÜBERLASSEN SIE WARTUNGS- UND REPARATURARBEITEN ENTSPRECHEND QUALIFIZIERTEN FACHKRÄFTEN.



Das von einem gleichseitigen Dreieck umschlossene Blitz-Pfeil-Symbol soll den Anwender darauf hinweisen, dass nicht isolierte „gefährliche Spannung“ im Gerätegehäuse vorhanden und u. U. ausreichend hoch ist, um ein Stromschlagrisiko darzustellen.



Das von einem gleichseitigen Dreieck umschlossene Ausrufezeichen soll für den Anwender wichtige Hinweise zu Betrieb und Wartung des Geräts hervorheben.

WARNUNG: SCHLIESSEN SIE, UM DIE GEFAHR VON BRAND ODER STROMSCHLAG ZU VERMEIDEN, DIESEN STECKER NUR DANN AN EIN VERLÄNGERUNGSKABEL, EINE SCHUKO- ODER ANDERE STECKDOSE AN, WENN SICH DIE KONTAKTE VOLLSTÄNDIG EINSTECKEN LASSEN, D. H. NICHT FREILIEGEN. SETZEN SIE, UM DIE GEFAHR VON BRAND ODER STROMSCHLAG ZU VERMEIDEN, DAS VORLIEGENDE GERÄT AUF KEINEN FALL REGEN ODER FEUCHTIGKEIT AUS. STECKEN SIE, UM DIE GEFAHR VON STROMSCHLÄGEN ZU VERMEIDEN, DEN BREITEN KONTAKT DES STECKERS VOLLSTÄNDIG IN DEN BREITEN SCHLITZ EIN.

Wichtige Sicherheitshinweise

Vorschriften und Regelungen der US-Behörde FCC

Die kabellosen Empfänger von Samson sind gemäß den FCC-Vorschriften Teil 15 und die Sender gemäß den FCC-Vorschriften Teil 74 zertifiziert.

Für die Zulassung von Geräten der Marke Samson ist der Benutzer selbst verantwortlich. Ob eine Zulassung erfolgen kann ist abhängig von der vom Benutzer gewählten Klassifizierung, Anwendungsart und Frequenz.

HINWEIS: Dieses Gerät wurde auf Konformität mit den Grenzwerten für digitale Geräte der Klasse B geprüft. Die Prüfung erfolgte gemäß Teil 15 der Richtlinien der US-Behörde FCC. Die Grenzwerte sind so festgelegt, dass sie einen angemessenen Schutz gegen störende Interferenzen beim Aufstellen zuhause bieten. Das vorliegende Gerät erzeugt und nutzt Hochfrequenzenergie und kann diese auch abstrahlen. Wenn das Gerät nicht gemäß den Anweisungen aufgestellt und eingesetzt wird, können unerwünschte Interferenzen mit anderen Funkwellen die Folge sein. Dennoch ist ordnungsgemäßes Aufstellen keine Garantie dafür, dass Interferenzen bei bestimmten Aufbauarten nicht vorkommen. Falls dieses Gerät keine gefährlichen Interferenzen mit Empfangsgeräten für Rundfunk oder Fernsehen verursacht (dies lässt sich durch Aus- und Wiedereinschalten des Geräts feststellen), kann der Benutzer selbst die Interferenz mit Hilfe einer der folgenden Maßnahmen korrigieren:

- Neuausrichtung oder Neuanbringung der Empfangsantenne
- Gerät und Empfänger weiter voneinander entfernt aufstellen
- Gerät an Schuko-Steckdose anschließen. Dabei darf der Stromkreis nicht derselbe sein, an den auch der Empfänger angeschlossen ist.
- Lassen Sie die anfallenden Arbeiten von Ihrem Händler oder einem entsprechend qualifizierten und erfahrenen Radio/Fernseh-Techniker ausführen.

WARNING: Änderungen oder Umbauten, die nicht ausdrücklich von der für Konformität verantwortlichen Stelle zugelassen sind, können dazu führen, dass der Nutzer die Berechtigung verliert, das vorliegende Gerät zu verwenden.

Das vorliegende Gerät ist mit der Norm RSS-210 der Organisation Industry & Science Canada konform. Der Betrieb erfolgt unter den beiden folgenden Bedingungen:

- (1) Das vorliegende Gerät darf keine gefährlichen Interferenzen verursachen, und
- (2) es muss Interferenzen jeder Art tolerieren, auch solche Interferenzen, die den Betrieb in unerwünschter Weise beeinflussen können.

Das vorliegende Gerät ist für Anwendungen mit einem (oder mehreren) kabellosen Mikrofon(en) ausgelegt.

Das vorliegende Gerät wird in folgenden Ländern vertrieben: AT, BE, CH, CY, CZ*, DK, EE, FI*, FR*, DE*, GR*, HU, IE, IS, IT, LV, LT*, LU, MT*, NL, NO*, PL* PT, RO, SK, SI, ES, SE, UK

*abhängig von der Art der Lizenz Wenden Sie sich bitte an die in Ihrem Land für Funkfrequenzen zuständige Behörde. Dort erhalten Sie weitere Informationen zu den Nutzungsvorschriften an Ihrem Einsatzort. Änderungen oder Umbauten jeder Art, die nicht ausdrücklich von Samson Technologies Corp. genehmigt wurden, können nach sich ziehen, dass der Benutzer seine Nutzungsberechtigung verliert.



Entsorgen Sie dieses Gerät nach Ende seiner Nutzungsdauer bitte nicht als Restmüll. Nutzen Sie bitte die in Ihrer Region bestehenden Entsorgungsmöglichkeiten (Sammelsystem) für Elektronikprodukte. Mit einer fachgerechten Entsorgung ermöglichen Sie ordnungsgemäße Handhabung, Aufbereitung und Wiederverwendung gemäß den gesetzlichen Bestimmungen.

Privathaushalte in den 28 Mitgliedsstaaten der EU, in der Schweiz und in Norwegen können gebrauchte elektronische Geräte kostenlos in den dafür vorgesehenen Sammelstellen oder beim Einzelhändler (bei Kauf eines ähnlichen Neugeräts) abgeben.

In allen anderen als den genannten Ländern wenden Sie sich zwecks ordnungsgemäßer Entsorgung bitte an die für Ihren Ort zuständige Behörde.

So gehen Sie sicher, dass das von Ihnen entsorgte Produkt ordnungsgemäß gehandhabt, aufgearbeitet oder recycelt wird, und leisten einen wichtigen Beitrag zum Schutz von Umwelt und Gesundheit.

Einführung

Wir beglückwünschen Sie zum Erwerb Ihres kabellosen Systems Concert 99 von Samson. Concert 99 ist die ideale Lösung für Musiker mit aktiver Performance, die ein zuverlässiges und ansprechend klingendes System, das für kabellose Anwendungen ausgelegt ist, benötigen. Dank einer großen hinterleuchteten LCD-Anzeige, einfacher Bedienbarkeit mit Kanalauswahl durch automatisches Scannen und Infrarot-Codes zum Synchronisieren von Sender- und Empfängerkanal lässt sich Ihr Concert 99 einfach und mühelos einrichten und in Betrieb nehmen. Concert 99 bietet dank seines Designs namens True RF Diversity mit Trägerfrequenz und automatischer Stummschaltfunktion ein klares, unterbrechungsfreies Klangbild. Diese Konfiguration ermöglicht den größtmöglichen Abstand für den Betrieb des Systems und die Eliminierung von Hintergrundgeräuschen, wenn der Sender sich außerhalb des Sendebereichs befindet oder ausgeschaltet ist.

Für Concert 99 gibt es vier verschiedene Konfigurationen. Die Komponenten dieses Gesangssystems in Handgröße sind: CH99, ein Sender in Handgröße, und Q8, die hochwertige dynamische Mikrofonkapsel von Samson. Das Tragegerätsystem CB99 lässt sich für den Kopfhörerbügel mit Mikrofon SE10, das Halsmikrofon („Lavaliermikrofon“) LM10 oder ein 6 mm- (¼“) Klinkenkabel konfigurieren. Das System Concert 99 umfasst ein Standard-Montagekit für 19"-Racks zum dauerhaften Einbauen oder Transportieren in einem mobilen Rack.

In dieser Anleitung finden Sie eine detaillierte Beschreibung aller Funktionen Ihres kabellosen Systems Concert 99 und auch der zugehörigen Bedienelemente an Vorder- und Rückseite. Schritt für Schritt werden Einrichtung und Bedienung erklärt. Ebenfalls enthalten sind die ausführlichen Technischen Daten. Wenn Sie Ihr kabelloses System in den USA erworben haben, ist im Lieferumfang auch eine Registrierungskarte enthalten. Wenn Sie die zugehörigen Anweisungen befolgen, können Sie den Online-Kundenservice in Anspruch nehmen, und wir können Ihnen künftig aktuelle Informationen zu diesem und anderen Produkten von Samson senden. Alle wichtigen Informationen zu unser gesamten Produktpalette finden Sie auch auf unserer Website www.samsontech.com.

Bewahren Sie die nachstehende Anleitung bitte sorgfältig auf, am Besten zusammen mit Ihrem Kaufbeleg.

Seriennummer des Empfängers: _____

Seriennummer des Senders: _____

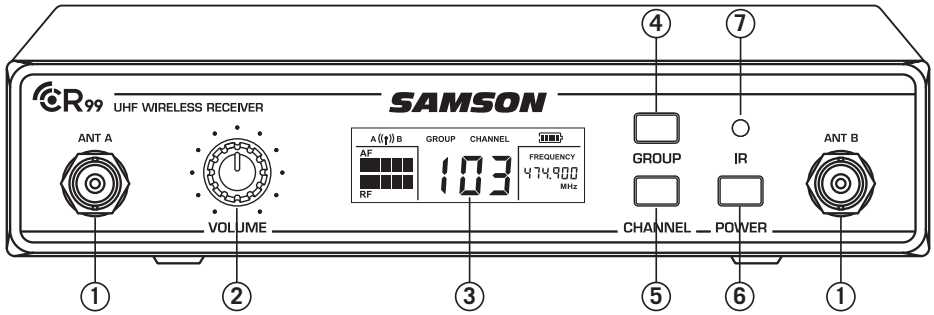
Kaufdatum: _____

Wenn Sie Ihr Concert 99 System mit angemessener Sorgfalt behandeln und regelmäßig die erforderlichen Wartungsaufgaben durchführen, funktioniert das Gerät im Normalfall jahrelang problemlos. Sollte Ihr kabelloses System einmal repariert werden müssen, besorgen Sie sich vor der Rücksendung an Samson bitte eine Return Authorization (RA) Number (Rücksendeberechtigungsnummer). Ohne eine solche Nummer müssen wir das eingeschickte Gerät leider zurückweisen. Sie können sich telefonisch unter +1-800-3SAMSON (+1-800-372-6766) an Samson wenden. Erfragen Sie eine Umtauschberechtigungsnummer und schicken Sie daraufhin Ihr Gerät ein. Bitte verwenden Sie zum Einschicken möglichst Originalkarton und Originalverpackungsmaterial. Wenden Sie sich, wenn Sie Ihr Concert 99 System außerhalb der USA erworben haben, an einen Händler in Ihrer Nähe. Dort erhalten Sie alle wichtigen Informationen zu Garantie, Wartung und Reparaturen.

Der Funktionsumfang Ihres Systems

- Kabellose Systeme für den professionellen Einsatz – für musikalische Live-Darbietungen wie z. B. die Beschallung bei Veranstaltungen.
- Unsere True RF Diversity Technologie vergrößert den aktiven Bereich (bis max. 100 Meter) und verringert das Potenzial für Interferenzen.
- Verfügbarkeit von 80 Kanälen im Frequenzband UHF, ausgelegt für maximale Systemkonformität am Einsatzort ohne Interferenzen
- Der Empfänger CR99 ist ein Gerät von halber Rack-Breite. Er kann frei stehen oder mit Hilfe des mitgelieferten Rack-Kits in ein Standard-19"-Rack eingebaut werden. Dies erleichtert das Integrieren sowohl in mobile als auch in fest installierte Audiosysteme.
- Trägerfrequenz und automatische Stummschaltfunktion sorgen für ein klares, unterbrechungsfreies Klangbild. Nichts anderes als die vom Sender übermittelten Töne durchlaufen den Empfänger. Bei Ausschalten oder Übersteuern des Senders erfolgt automatisch die Stummschaltung.
- Bis zu 100 Meter Reichweite (bei Sichtverbindung)
- Bis zu acht Stunden Akkubetriebszeit, Verwendung von zwei Standard-AA-Batterien

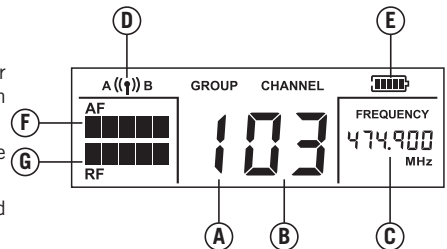
Erläuterungen zur Vorderseite Ihres Empfängers CR99



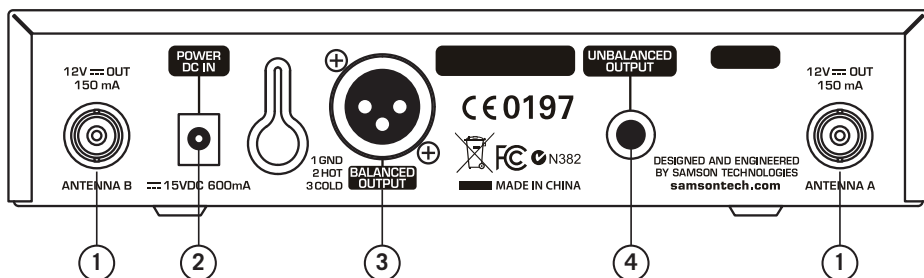
1. **Antennensteckbuchsen** – Die BNC-Steckbuchsen für Antennen vorne am Gerät sind vollständig ermöglichen und ermöglichen so optimales Platzieren. Für den normalen Betrieb sind beide Antennen vertikal aufzurichten.
2. **Lautstärkeregler (VOLUME)** – Knopf zum Regeln des Tonsignals, das sowohl über die balancegeregelten als auch die nicht balancegeregelten Ausgänge hinten am Gerät ausgegeben wird. Einen Referenzpegel erhalten Sie, wenn Sie den Knopf vollständig im Uhrzeigersinn drehen (in die Stellung „10“).
3. **LCD-Anzeige** – Zeigt die Einstellungen von Sender und Empfänger an.
4. **Taste GROUP** – Indem Sie diese Taste drücken und wieder loslassen, können Sie die verfügbaren Gruppen durchblättern. Drücken Sie diese Taste und halten Sie sie gedrückt, um innerhalb der ausgewählten Gruppe nach verfügbaren Kanälen zu scannen.
5. **Taste CHANNEL** – Drücken Sie diese Taste, und lassen Sie sie wieder los, um innerhalb einer Gruppe die Liste der verfügbaren Kanäle zu durchblättern. Drücken Sie diese Taste, und halten Sie sie gedrückt, um die Infrarotcodes einzugeben, die zum Einstellen des aktiven Kanals des Senders verwendet werden.
6. **EIN/AUS-Schalter** – Über diesen Schalter können Sie Ihr CR99-System ein- und ausschalten.
7. **Infrarotsender** – Beim Ausführen der Funktion „IR SET“ (Infrarotcodes) wird über eine Infrarotleuchte der Senderkanal eingestellt.

Die Anzeige des Senders

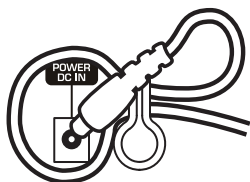
- A. **Group** – Zeigt die ausgewählte Gruppe an
- B. **Channel** – Zeigt den ausgewählten Kanal an
- C. **Frequency** – Zeigt die Betriebsfrequenz der ausgewählten Gruppe und des ausgewählten Kanals an.
- D. **Antennenanzeige** – Zeigt die aktive Antenne (A oder B) an.
- E. **Akkuladezustand Sender** – Zeigt den Ladezustand des im Sender enthaltenen Akkus an.
- F. **Audio Meter** – Zeigt die Stärke des eingehenden Tonsignals an.
- G. **RF Signal Meter** – Zeigt die Stärke des eingehenden Funksignals an.



Erläuterungen zur Rückseite des Empfängers CR99



- 1. Antennensteckverbindungen** – Die **BNC**-Steckbuchsen für Antennen sind vollständig drehbar. Dies ermöglicht ein optimales Platzieren. Für den normalen Betrieb sind beide Antennen vertikal aufzurichten.
- 2. DC-Eingang** – Schließen Sie das mitgelieferte Netzgerät hier an. Verwenden Sie hierbei die Zugentlastung, wie in der Abbildung weiter unten zu sehen. **WARNUNG:** Sie dürfen ausschließlich das mitgelieferte Netzgerät verwenden. Tun Sie dies nicht, so kann hierdurch Ihr CR88 schwer beschädigt werden. Dies kann zur Folge haben, dass Sie Ihre Garantieansprüche verlieren.
- 3. BALANCED OUTPUT („balancegeregelter Ausgang“)** – Verwenden Sie diese **XLR**-Buchse mit elektronischer Balanceregelung und geringer Impedanz (600 Ohm) dazu, Ihren CR99 an eine Highend- (+4dBu) Stereoanlage anzuschließen. Die Belegung der Kontaktstifte ist wie folgt: Stift 1 Masse, Stift 2 oben (belegt) und Stift 3 unten (unbelegt).
- 4. UNBALANCED OUTPUT (nicht balancegeregelter Ausgang)** – Verwenden Sie diese **nicht balancegeregelte Buchse mit hoher Impedanz (5.000 Ohm) der Größe 6 mm (¼“)** dazu, Ihren CR99 an eine **gewöhnliche Heimstereoanlage (-10dBV)** anzuschließen. Die Verkabelung folgt dem Schema: Spitze = Strom führend, Buchse = Masse.



Sie können die Zugentlastung wie folgt nutzen: Wickeln Sie eine Kabelschleife und führen Sie diese durch die Zugentlastung hindurch. Führen Sie anschließend den Adapterstecker durch die Schleife, um einen Knoten zu erhalten.

Erläuterungen zum Tragegurt für den Sender CB99

1. **Steckbuchse Eingang** – Schließen Sie das Eingabegerät per Mini-XLR-Steckverbinder an. Ihr CB99 wird entweder mit einem Halsmikrofon („Lavaliermikrofon“), Headset-Mikrofon oder einem 6 mm- (¼“) Klinkenkabel ausgeliefert.

2. **Statusanzeige** – Diese LED zeigt den Betriebsmodus an:

GRÜN	Normalbetrieb
ROT	Stummgeschaltet
ROTES Blinken	Batteriestand niedrig

3. **Schalter „Ein/Aus / Stummschalten“** – Drücken Sie diesen Schalter, um Ihr Gerät ein- oder auszuschalten. Drücken Sie diesen Schalter, und lassen Sie ihn wieder los, um den Sender stummzuschalten oder seine Stummschaltung aufzuheben.

4. **Gurtklammer** - Mit Hilfe dieser Klammer können Sie den Sender CB99 an Ihrem Gürtel oder Gitarrengurt befestigen.

5. **Vorrichtung zum Lösen der Batteriefachabdeckung** – Drücken Sie beide Seiten nach innen und ziehen Sie diese zurück, um die Batteriefachabdeckung Ihres CB99 zu öffnen.

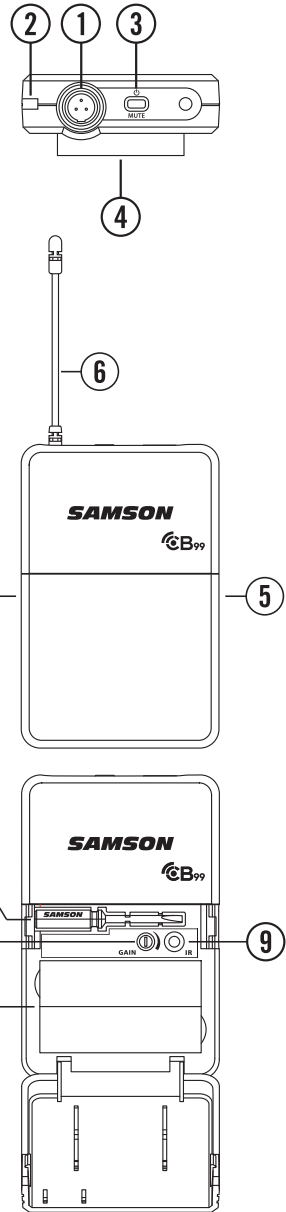
6. **Antenne** – Diese dauerhaft angebrachte, biegsame Sendeantenne ist während des normalen Betriebs Ihres Geräts vollständig auszufahren.

7. **Bedienelement Verstärkungsregelung (GAIN)** – Über dieses Bedienelement können Sie die Empfindlichkeit des vom Sender her eingehenden Signals auf die Eingangssignale von Mikrofon und Instrument abstimmen. Stellen Sie zum Optimieren der Systemleistung mit einem Schraubendreher das Bedienelement zum Regeln der Verstärkung (GAIN) auf eine Position ein, in der Sie sehen, wie die Höchstwertanzeige Ihres CR99 Audio Meter zu leuchten beginnt, wenn hohe Signalpegel eingehen. Drehen Sie die Stellschraube anschließend langsam zurück, bis die Höchstwertanzeige nicht mehr leuchtet.

8. **Batteriefach** – Setzen Sie in dieses Fach eine Standard-Batterie des Typs AA (LR6) ein. Achten Sie hierbei auf die Markierungen für Plus- und Minuspol. Wiederaufladbare Ni-Cad- und NiMH-Akkus können zwar verwendet werden; ihre Leistung ist jedoch nicht ausreichend, da sie auf vier Betriebsstunden begrenzt ist. **WARNUNG:** Achten Sie darauf, die Batterie nicht verkehrt herum einzusetzen. Tun Sie dies dennoch, so kann hierdurch Ihr CB99 schwer beschädigt werden. Dies kann zur Folge haben, dass Sie Ihre Garantiansprüche verlieren.

9. **Infrarotlinse** – Über dieses Fenster wird das vom Empfänger ausgesendete Infrarotsignal während des Infrarot-Einrichtungsvorgangs (IR SET) erfasst. Dies dient der Kanalisierung des Senders.

10. **Kunststoff-Schraubendreher** – Ausgelegt für die Verwendung beim Einstellen des Bedienelements zum Regeln der Verstärkung (GAIN) Ihres CB99 (Nr. 7).



Erläuterungen zum Sender in Handgröße CH99

1. Statusanzeige – Diese LED zeigt den Betriebsmodus an:

GRÜN	Normalbetrieb
ROT	Stummgeschaltet
GRÜNES Blinken	Batteriestand niedrig

2. **Schalter Power/Mute („Ein/Aus / Stummschalten“)** – Drücken Sie diesen Schalter, und halten Sie ihn gedrückt, um Ihr Gerät ein- oder auszuschalten. Drücken Sie diesen Schalter, und lassen Sie ihn wieder los, um den Sender stummzuschalten oder seine Stummschaltung aufzuheben.

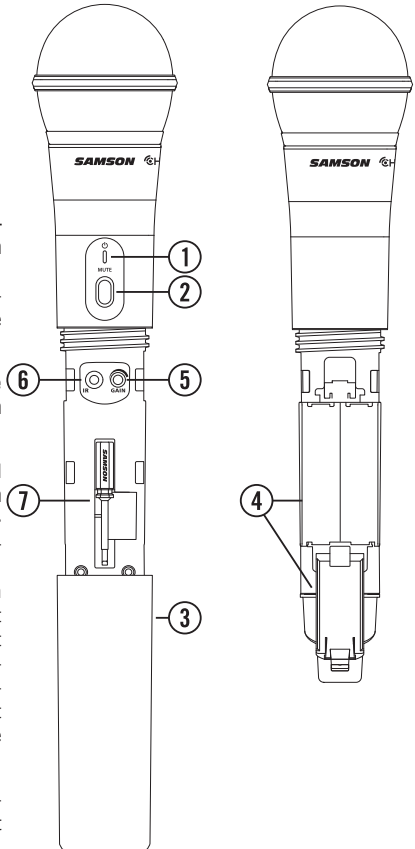
3. **Batteriefachabdeckung** – Schrauben Sie die Batteriefachabdeckung los, und schieben Sie diese nach unten, um das Batteriefach Ihres CH99 zu öffnen.

4. **Batteriefach** – Drücken Sie die Lasche ein und heben Sie die Abdeckung an, um das Batteriefach zu öffnen. Setzen Sie in dieses Fach zwei Standard-Batterien des Typs AA (LR6) ein. Achten Sie hierbei auf die Markierungen für Plus- und Minuspol. Wiederaufladbare Ni-Cad- und NiMH-Akkus können zwar verwendet werden; ihre Leistung ist jedoch nicht ausreichend, da sie auf vier Betriebsstunden begrenzt ist. **WARNUNG:** Achten Sie darauf, die Batterie niemals verkehrt herum einzusetzen. Tun Sie dies dennoch, so kann hierdurch Ihr CH99 schwer beschädigt werden. Dies kann zur Folge haben, dass Sie Ihre Garantieansprüche verlieren.

5. **Bedienelement Verstärkungsregelung (GAIN)** - über dieses Bedienelement können Sie die Empfindlichkeit für das Eingangssignal des Senders einstellen. Stellen Sie zum Optimieren der Systemleistung mit einem Schraubendreher das Bedienelement zum Regeln der Verstärkung (GAIN) auf eine Position ein, in der Sie sehen, wie die Höchstwertanzeige Ihres CR99 Audio Meter zu leuchten beginnt, wenn hohe Signalpegel eingehen. Drehen Sie die Stellschraube anschließend langsam zurück, bis die Höchstwertanzeige nicht mehr leuchtet.

6. **Infrarotlinse** – Über dieses Fenster wird das von Ihrem CR99 ausgesendete Infrarotsignal während des Infrarot-Einrichtungsvorgangs (IR SET) erfasst. Dies dient dazu, den Sender zu kanalisieren. Die Batteriefachabdeckung muss offen sein und die Infrarotlinse in Richtung des Empfängers zeigen, um den ausgewählten Kanal laden zu können.

7. **Kunststoff-Schraubendreher** – Ausgelegt für das Einstellen des Bedienelements zum Regeln der Verstärkung (GAIN) Ihres CB99 (siehe Nr. 5 Bedienelement Verstärkungsregelung (GAIN) HH).



ENGLISH

FRANÇAIS

DEUTSCHE

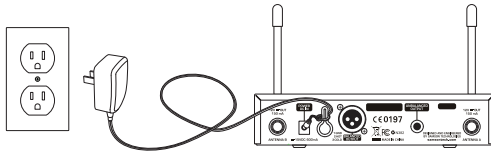
ESPAÑOL

ITALIANO

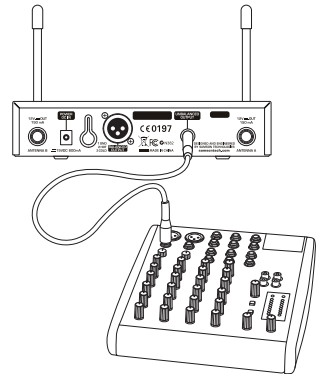
Kurzanleitung

Stellen Sie, damit Ihr kabelloses System störungsfrei funktionieren kann, Sender und Empfänger auf denselben Kanal ein. Führen Sie die im Folgenden beschriebenen grundlegenden Schritte zum Einrichten und Inbetriebnehmen Ihres kabellosen Concert 99-Systems aus:

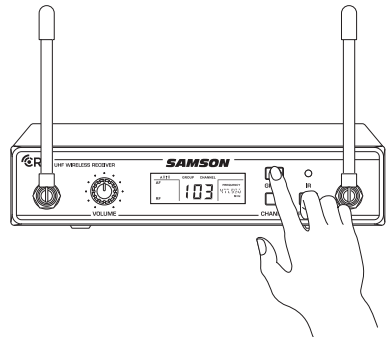
1. Stellen Sie den Empfänger CR99 am gewünschten Einsatzort auf, und fahren Sie die Antennen vertikal aus. Als Faustregel gilt: Stellen Sie Empfänger und Sender in Sichtverbindung zueinander auf, d. h. die den Sender nutzende bzw. tragende Person soll den Empfänger ohne Einschränkungen sehen können.
2. Schließen Sie, während Ihr CR99 noch ausgeschaltet ist, das im Lieferumfang enthaltene Netzgerät an. Schalten Sie Ihren CR99 für kurze Zeit ein, um sich zu vergewissern, dass das Gerät mit Strom versorgt wird. Schalten Sie nun Ihren CR99 aus.



3. Schließen Sie, während Ihr Verstärker oder Mischpult ausgeschaltet und der Volumenregler vollständig zurückgedreht ist, den Empfänger CR99 an den Eingang eines Verstärkers oder den Mikrofon- oder Line-Eingang an. Nutzen Sie hierzu den balancegeregelten XLR-Ausgang oder den nicht balancegeregelten 6 mm- (1/4") Line-Ausgang. Drehen Sie den Regelknopf an Ihrem CR99-System vollständig entgegen dem Uhrzeigersinn, und schalten Sie das Gerät anschließend ein.

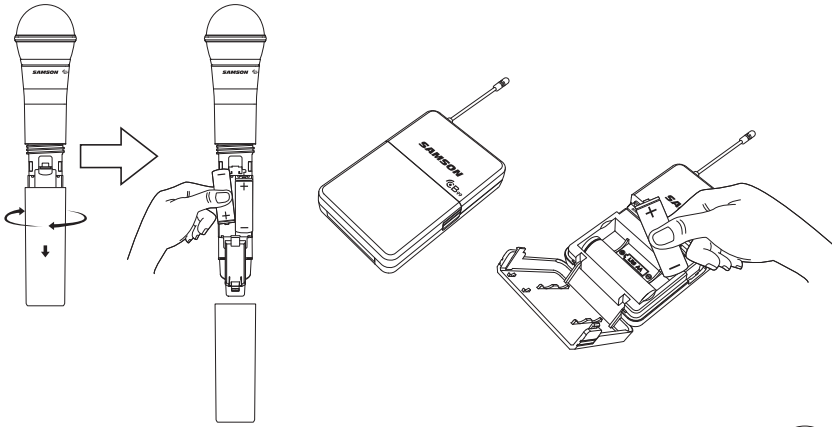


4. Drücken Sie die Taste GROUP vorne am Empfänger Ihres CR99, und halten Sie diese Taste gedrückt. So können Sie einen Scanvorgang nach einem verfügbaren Kanal innerhalb der ausgewählten Gruppe starten.

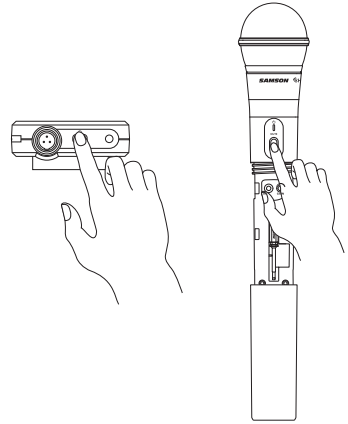


Kurzanleitung

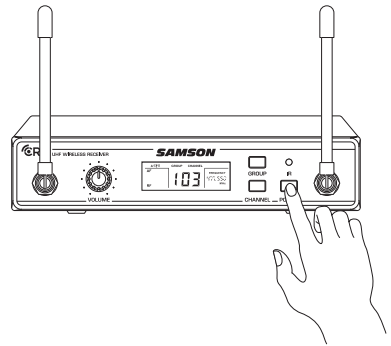
5. Setzen Sie, wenn der Sender ausgeschaltet ist, zwei neue AA-Batterien in den Tragegurt Ihres CB99 oder in den Sender in Handgröße CH99 ein. Lassen Sie das Batteriefach geöffnet.



6. Schalten Sie die Stromversorgung des Senders ein. Drücken Sie hierzu den Ein/Aus-Schalter, und halten Sie diesen gedrückt. Die Anzeige-LED leuchtet daraufhin grün.

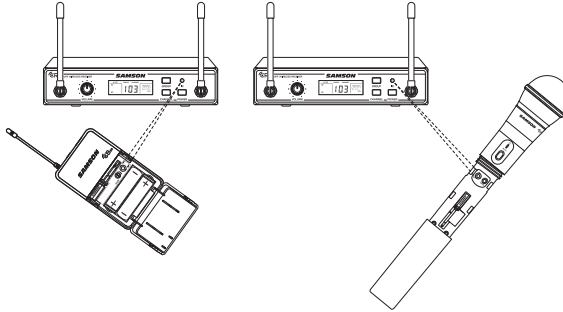


7. Drücken Sie am CR99 die Taste CHANNEL und halten Sie diese gedrückt. Daraufhin werden die Infrarotcodes zur Synchronisierung des Senders via Infrarot-Übertragung auf denselben Kanal wie den des Empfängers ausgeführt.



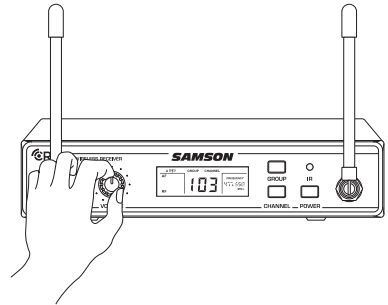
Kurzanleitung

8. Stellen Sie den Sender in einem Abstand von ca. 15 - 30 cm zur Vorderseite Ihres CR99 auf. Hierbei muss die Infrarotlinse Ihres Senders auf den IR-Sender im Bedienelement vorne am Empfänger CR99 gerichtet sein.



9. Ihr CR99 empfängt, sobald die Signalübertragung abgeschlossen ist, Funksignal und Trägerfrequenz vom Sender. Der in Ihr CR99 integrierte Funksignalmesser leuchtet nun. Hieran können Sie ablesen, dass das Gerät das vom Sender kabellos übertragene Signal empfängt.

10. Schalten Sie den angeschlossenen Verstärker oder das angeschlossene Mischpult ein; lassen Sie den Volumenregler jedoch in seiner niedrigsten Einstellung stehen. Drehen Sie den Lautstärkeregelknopf Ihres CR99 bis zum Anschlag im Uhrzeigersinn (in die Stellung „10“). Dies ist Verstärkung mit Verstärkungsfaktor Eins.



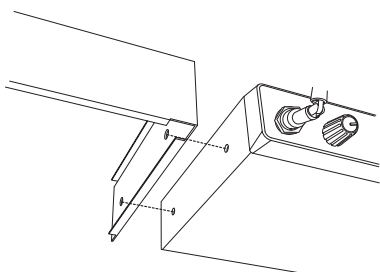
11. Sprechen oder singen Sie nun in Ihr Mikrofon hinein oder spielen Sie – wenn Sie den Sender zusammen mit einem angeschlossenen Instrument einsetzen – Ihr Instrument in gewohnter Lautstärke. Heben Sie den Lautstärkepegel Ihres Verstärkers oder Mischpults langsam an, bis der gewünschte Pegel erreicht ist.
12. Gehen Sie am Aufstellort Ihrer Anlage ein wenig umher, um sich zu vergewissern, dass die Beschallung dort konsistent erfolgt. Wenn Sie bemerken, dass das System merkliche Aussetzer, einen eingeschränkten Funktionsbereich insgesamt oder unvorhergesehene Geräuschspitzen aufweist, wechseln Sie den aktiven Kanal Ihres Systems. Gehen Sie hierzu wie weiter oben beschrieben vor.

Stellen Sie, wenn Sie mehrere Systeme gleichzeitig nutzen, jedes System jeweils auf einen anderen aktiven Kanal ein. Ordnen Sie alle weiteren Sender und Empfänger derselben Gruppe zu. So können Sie die Anzahl der miteinander kompatiblen Kanäle maximieren. Achten Sie, wenn Sie zusätzliche Sender einstellen, darauf, alle anderen Batteriefächer am Sender zu schließen, um sicherzugehen, dass die Infrarotlinse abgedeckt wird. Führen Sie für jeden einzelnen Sender einen Kanalscan aus, um den optimalen Kanal auszuwählen.

Montieren des Racks

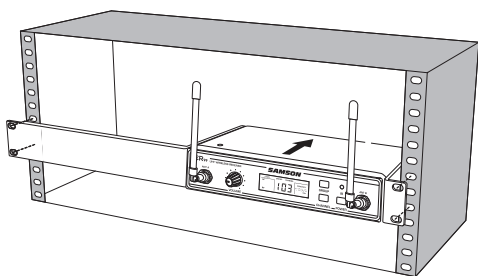
Der Empfänger Ihres CR99 lässt sich für den Transport oder auch zur dauerhaften Nutzung in ein Standard-19"-Rack einbauen. Hierfür sind die im Lieferumfang enthaltenen Rackösen zu verwenden. Führen Sie zum Montieren Ihres CR99 die im Folgenden genannten einfachen Schritte aus:

Bringen Sie die mitgelieferten Rackösen an. Schrauben Sie hierzu an jeder Seite Ihres CR99 die einzelnen Rackösen ein.

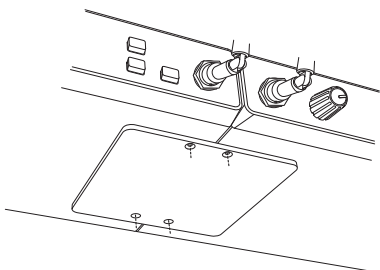


Setzen Sie den Empfänger CR99 in ein geeignetes vorhandenes Rack ein und schieben Sie diesen so weit ein, bis die Rackösen die Schienen des Rackrahmens berühren und mit den Löchern der Rackschienen bündig liegen.

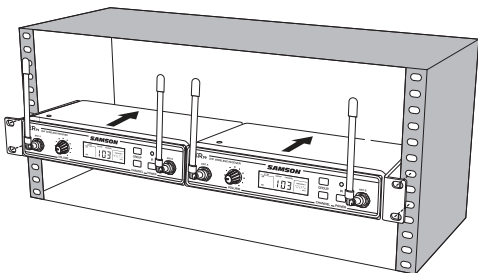
Befestigen Sie den Empfänger im Rack. Verwenden Sie hierzu Rackschrauben geeigneter Größe (nicht im Lieferumfang enthalten). Befestigen Sie, um die Gleichmäßigkeit von Spannung und Balance beim Einbauen des Empfängers zu gewährleisten, die Schrauben in einem Zickzackmuster der einander gegenüberliegenden Ecken: oben links -> unten rechts -> oben rechts -> unten links.



Das System besitzt, damit Sie zwei Empfänger des Modells CR99 in nur einem Rack montieren können, in der Mitte ein Verbindungselement. Schieben Sie dieses mittige Verbindungselement in die Nut des jeweiligen Empfängers, und befestigen Sie die kurzen Rackösen am zugehörigen Empfänger.



Befestigen Sie die Empfänger innen im Rack. Gehen Sie hierzu nach dem weiter oben beschriebenen Zickzackmuster vor.



Kanalpläne

Gruppe K 470–494 MHz								
	Kanal							
Gruppe	00	01	02	03	04	05	06	07
0	473,050	474,425	474,900	480,475	484,075	486,975	487,975	492,425
1	470,125	471,500	471,975	477,550	481,150	484,050	485,050	489,500
2	470,525	471,900	472,375	477,950	481,550	484,450	485,450	489,900
3	471,075	472,450	472,925	478,500	482,100	485,000	486,000	490,450
4	471,475	472,850	473,325	478,900	482,500	485,400	486,400	490,850
5	472,025	473,400	473,875	479,450	483,050	485,950	486,950	491,400
6	472,425	473,800	474,275	479,850	483,450	486,350	487,350	491,800
7	473,375	474,750	475,225	480,800	484,400	487,300	488,300	492,750
8	473,925	475,300	475,775	481,350	484,950	487,850	488,850	493,300
9	474,325	475,700	476,175	481,750	485,350	488,250	489,250	493,700

Gruppe D 542–566 MHz								
	Kanal							
Gruppe	00	01	02	03	04	05	06	07
0	545,050	546,425	546,900	552,475	556,075	558,975	559,975	564,425
1	542,125	543,500	543,975	549,550	553,150	556,050	557,050	561,500
2	542,525	543,900	544,375	549,950	553,550	556,450	557,450	561,900
3	543,075	544,450	544,925	550,500	554,100	557,000	558,000	562,450
4	543,475	544,850	545,325	550,900	554,500	557,400	558,400	562,850
5	544,025	545,400	545,875	551,450	555,050	557,950	558,950	563,400
6	544,425	545,800	546,275	551,850	555,450	558,350	559,350	563,800
7	545,375	546,750	547,225	552,800	556,400	559,300	560,300	564,750
8	545,925	547,300	547,775	553,350	556,950	559,850	560,850	565,300
9	546,325	547,700	548,175	553,750	557,350	560,250	561,250	565,700

Kanalpläne

Gruppe F 606-630 MHz								
	Kanal							
Gruppe	00	01	02	03	04	05	06	07
0	609,050	610,425	610,900	616,475	620,075	622,975	623,975	628,425
1	606,125	607,500	607,975	613,550	617,150	620,050	621,050	625,500
2	606,525	607,900	608,375	613,950	617,550	620,450	621,450	625,900
3	607,075	608,450	608,925	614,500	618,100	621,000	622,000	626,450
4	607,475	608,850	609,325	614,900	618,500	621,400	622,400	626,850
5	608,025	609,400	609,875	615,450	619,050	621,950	622,950	627,400
6	608,425	609,800	610,275	615,850	619,450	622,350	623,350	627,800
7	609,375	610,750	611,225	616,800	620,400	623,300	624,300	628,750
8	609,925	611,300	611,775	617,350	620,950	623,850	624,850	629,300
9	610,325	611,700	612,175	617,750	621,350	624,250	625,250	629,700

Gruppe L* 823-832 MHz								
	Kanal							
Gruppe	00	01	02	03	04	05	06	07
0	823,125	824,125	825,325	826,725	827,925	828,325	829,700	830,800
1	823,225	824,225	825,425	826,825	828,025	828,425	829,800	830,900
2	823,325	824,325	825,525	826,925	828,125	828,525	829,900	831,000
3	823,425	824,425	825,625	827,025	828,225	828,625	830,000	831,100
4	823,525	824,525	825,725	827,125	828,325	828,725	830,100	831,200
5	823,625	824,625	825,825	827,225	828,425	828,825	830,200	831,300
6	823,725	824,725	825,925	827,325	828,525	828,925	830,300	831,400
7	823,825	824,825	826,025	827,425	828,625	829,025	830,400	831,500
8	823,925	824,925	826,125	827,525	828,725	829,125	830,500	831,600
9	824,025	825,025	826,225	827,625	828,825	829,225	830,600	831,700

* Nicht zur Nutzung in den USA und Kanada. Wenden Sie sich, wenn Sie Fragen zu den in Ihrer Region verfügbaren Funkkanälen haben, an Ihren Samson-Händler.

Fehlersuche

Problem	Lösungen
Kein Tonsignal	Vergewissern Sie sich, dass sowohl der Sender als auch der Empfänger eingeschaltet sind.
	Vergewissern Sie sich, dass die Batterien des Senders ordnungsgemäß eingesetzt sind.
	Vergewissern Sie sich, dass der Sender nicht stummgeschaltet ist.
	Prüfen Sie, ob das Netzgerät des Empfängers CR99 ordnungsgemäß verkabelt und in eine Schuko-Steckdose eingesteckt ist.
	Vergewissern Sie sich, dass die zur Tonsignalausgabe eingesetzten Kabel sicher an Ihren CR99 angeschlossen sind.
	Vergewissern Sie sich, dass Empfänger und Sender Sichtverbindung zueinander haben.
	Überprüfen Sie die Bedienelemente zum Regeln des Eingangssignals von Empfänger und Tonquelle.
	Vergewissern Sie sich, dass Sender und Empfänger auf denselben aktiven Kanal eingestellt sind. Setzen Sie, wenn Sie sich nicht sicher sind, den Kanal zurück. Führen Sie zu diesem Zweck die Infrarotcodes aus.
Verzerrtes Tonsignal	Der Pegel des vom Empfänger ausgehenden Signals oder der Pegel des eingehenden Tonsignals ist möglicherweise zu hoch.
	Überprüfen Sie die zum Sender gehörenden Batterien, und ersetzen Sie diese, wenn sie einen niedrigen Ladezustand aufweisen.
	Die Verstärkung des Eingangssignals am Sender oder der Pegel der Tonquelle sind möglicherweise zu hoch.
Abfallen des Tonsignals	Der Sender steht möglicherweise zu weit vom Empfänger entfernt. Rücken Sie diesen näher an den Empfänger heran, oder stellen Sie die Antennen an anderer Stelle auf.
	Räumen Sie alle potenziellen Verursacher von Funksignalinterferenzen, z. B. Mobiltelefone, schnurlose Telefone, Lichtquellen, Computer, Metallrahmen usw. weg.
	Räumen Sie den Empfänger in das oberste Fach Ihres Racks, oder stellen Sie ihn oben auf Ihre Anlage. So gehen Sie sicher, dass die Sichtverbindung zum Sender nicht durch Hindernisse beeinträchtigt wird.
Der Empfänger wird nicht eingeschaltet.	Überprüfen Sie den Adapter, um sich zu vergewissern, dass dieser ordnungsgemäß verkabelt und in eine Schuko-Steckdose eingesteckt ist.
Der Sender lässt sich nicht einschalten.	Tauschen Sie die Batterien des Senders aus.
Unerwünschte Geräusche oder Interferenzen	Achten Sie, wenn Sie mehrere Systeme einsetzen, darauf, dass niemals mehrere Systeme auf demselben Kanal aktiv sind. Wechseln Sie, wenn das Problem fortbesteht, einen oder alle Systemkanäle.
	Stellen Sie, wenn Sie mehrere Systeme einsetzen, alle Empfänger auf dieselbe Gruppe ein. Führen Sie für jeden einzelnen Sender einen Kanalscan aus, um die optimalen Kanäle auszuwählen.

Technische Daten

System

Betriebsbereich	100 m (bei Sichtverbindung)
Tonfrequenzbereich	50 Hz - 15 kHz
Oberschwingungsverzerrung (THD) (gesamt)	<1 % (bei AF 1 kHz, RF 46 dBu)
Aussteuerungsbereich	>103 dB Gewichtung A
Signal-Rausch-Verhältnis	>90 dB
Betriebstemperatur	-10°C bis +60°C
Trägerfrequenz	35.000 kHz

Sender mit Tragegurt CB99

Steckverbindung Eingang	Mini-XLR (P3)
Eingangsimpedanz	1 M Ω
Verstärkungsbereich (Gain) Eingang	38 dB
Funkfrequenzleistung	10 mW (äquivalente isotrope Strahlungsleistung)
Leistungsaufnahme	Zwei alkalische Akkus AA (LR6)
Akkulaufzeit	8 Stunden
Abmessungen (HxLxT)	96 mm x 62 mm x 18,5 mm
Gewicht	93 g

Sender in Handgröße CH99

Mikrofonelement	Dynamisch
Verstärkungsbereich Eingang (Gain)	28 dB
Funkfrequenzleistung	10 mW (äquivalente isotrope Strahlungsleistung)
Leistungsaufnahme	Zwei alkalische Akkus AA (LR6)
Akkulaufzeit	8 Stunden
Abmessungen (Hx \emptyset)	260 mm x 54 mm
Gewicht	218 g

Empfänger CR99

Tonausgangspegel – nicht balancegeregelt	+14 dBu
Tonausgangspegel – balancegeregelt	+9 dBu
Tonausgangsimpedanz – nicht balancegeregelt	810 Ohm
Tonausgangsimpedanz – balancegeregelt	240 Ohm
Empfindlichkeit	-100 dBm / 30 dB sinad
Spiegelfrequenzunterdrückung	>50 dB
Betriebsspannung	15 V (DC) 200 mA
Abmessungen (LxBxH)	200 mm x 150 mm x 42 mm
Gewicht	946 g

Bei Samson verbessern wir unsere Produkte kontinuierlich. Entsprechend behalten wir uns das Recht vor, Spezifikationen und Abbildungen ohne vorherige Ankündigung zu ändern.

Erklärung der Konformität mit der R&TTE-Richtlinie

In Übereinstimmung mit EN ISO 17050:2005

Wir, das Unternehmen Samson Technologies Corporation, mit Hauptsitz in 45 Gilpin Ave, Hauppauge, NY 11788, USA erklären hiermit in alleiniger Verantwortung, dass die im Folgenden genannten Produkte:

Name des Produkts:Kabelloses Concert 99 System

Handelsname: Samson

Typ oder Modell:CR99 (Empfänger), CH99 (Sender in Handgröße), CB99 (Sender mit Tragegurt)

konform sind mit den Anforderungen der im Folgenden genannten Richtlinien der Europäischen Gemeinschaft, vorausgesetzt, sie wurden gemäß den in der Produktdokumentation enthaltenen Einbauanweisungen eingebaut:
2006/95/EG Niederspannungsrichtlinie
2004/108/EG Richtlinie zur elektromagnetischen Verträglichkeit (EMV)
1999/5/EG Richtlinie zu Funkanlagen und Telekommunikationsendeinrichtungen (R&TTE)

Das vorliegende Produkt ist mit den folgenden Normen und/oder anderen normativen Dokumenten konform:
EN60065:2014 Audio-, Video- und ähnliche elektronische Geräte – Sicherheitsanforderungen

EN301 489-1 V1.9.1

EN301 489-9 V1.4.1

EN300 422-1 V1.5.1

EN300 422-2 V1.4.1

EN62479:2010

Grundlegende technische Anforderungen
Spezifische Bedingungen für drahtlose Mikrofone, ähnliche Funkgeräte zur Übertragung von Audiosignalen und In-Ohr-Mithörgeräte
Technische Eigenschaften und Messverfahren
Harmonisierte Europäische Norm (EN) mit wesentlichen Anforderungen nach Artikel 3.2 der R&TTE-Richtlinie
Harmonisierte Europäische Norm (EN) mit wesentlichen Anforderungen nach Artikel 3.1a der R&TTE-Richtlinie

Jahr der CE-Kennzeichnung (Niederspannungsrichtlinie): 2015

Kennmarke: **0197** (Identifikationsnummer der benannten Stelle)


Das vorliegende Gerät trägt darüber hinaus die Geräteklassenkennung „Klasse 2“.

Unterschiedet im Auftrag des Herstellers von:

Bevollmächtigter:

Position:

Datum:


Douglas Bryant
Vice President Engineering
05.12.2015

CE 0197

Hiermit erklärt Samson Technologies Corp., dass die vorliegenden Modelle CR99, CH99 und CB99 mit den grundlegenden Anforderungen und anderen relevanten Bestimmungen der Richtlinie 1999/5/EG konform sind. Die Konformitätserklärung im Wortlaut finden Sie hier:

www.samsontech.com/samson/products/wireless-systems/concert-99/concert99hh/#downloads-and-manuals-tab

Información importante sobre seguridad

1. Lea estas instrucciones.
2. Guarde estas instrucciones.
3. Preste atención a todas las advertencias.
4. Siga todas las instrucciones.
5. No use este aparato cerca del agua.
6. Limpie únicamente con un paño seco.
7. No obstruya ninguna abertura de ventilación. Instale de conformidad con las instrucciones del fabricante.
8. No instale cerca de ninguna fuente de calor, como radiadores, rejillas de calefacción, estufas u otros aparatos (incluyendo amplificadores) que produzcan calor.
9. No anule el propósito de seguridad del enchufe polarizado o de tipo de conexión a tierra. Un enchufe polarizado tiene dos patillas, siendo una más ancha que la otra. Un enchufe de tipo de conexión a tierra tiene dos patillas y una tercera clavija de conexión a tierra. La patilla ancha o la tercera clavija se proporcionan para su seguridad. Si el enchufe que se proporciona no encaja en su toma de corriente, consulte a un electricista para sustituir la toma obsoleta.
10. Evite pisar o pellizcar el cable de alimentación, en especial en los enchufes, los receptáculos y en el punto de donde salen del aparato.
11. Use únicamente conexiones/accesorios especificados por el fabricante.
12. Use únicamente con el carro, soporte, trípode, abrazadera o mesa que especifique el fabricante o que se haya vendido junto con el aparato. Cuando se utilice un carro, tenga precaución cuando mueva la combinación de carro/aparato para evitar daños producidos por posibles vuelques.
13. Desenchufe el aparato durante las tormentas eléctricas o cuando no vaya a utilizarse durante largos períodos de tiempo.
14. Encargue todas las reparaciones a personal cualificado. Las reparaciones son necesarias cuando el aparato ha resultado dañado en cualquier forma; por ejemplo, si el enchufe o el cable de alimentación están dañados, se han derramado líquidos o han caído objetos en el interior del aparato, si ha estado expuesto a lluvia o humedad, no funciona con normalidad, o se ha dejado caer.
15. No se debe exponer este aparato a gotas o salpicaduras de agua, ni depositar objetos que contengan líquido, como vasos, encima del aparato.
16. Precaución - Para evitar descargas eléctricas, inserte completamente la patilla ancha del enchufe en la toma de corriente.
17. Por favor, mantenga un entorno bien ventilado en los alrededores de la unidad al completo.
18. El adaptador de conexión directa se utiliza como dispositivo de conexión; el dispositivo de conexión deberá ser fácilmente accesible.
19. Las pilas (el pack de pilas o las pilas instaladas) no deberán ser expuestas al calor excesivo, como la luz solar, fuego o similares.



ATENCIÓN: RISQUE D'ÉLECTROCUTION! NE PAS OUVRIR!

PRECAUCIÓN: PARA REDUCIR EL RIESGO DE DESCARGA ELÉCTRICA, NO RETIRE LA CUBIERTA (O PARTE TRASERA). NO HAY EN SU INTERIOR PIEZAS QUE EL USUARIO PUEDA REPARAR. ENCARGUE CUALQUIER REPARACIÓN A PERSONAL DE SERVICIO CUALIFICADO.



Este símbolo de un relámpago con punta de flecha dentro de un triángulo equilátero está destinado a alertar al usuario de la presencia de "voltaje peligroso" no aislado dentro de la caja del producto que puede ser de la suficiente magnitud como para constituir un riesgo de descarga eléctrica.



El signo de exclamaciones dentro de un triángulo equilátero está destinado a alertar al usuario de la presencia de instrucciones importantes de funcionamiento y mantenimiento en la documentación que se adjunta con el aparato.

ADVERTENCIA: PARA EVITAR EL PELIGRO DE INCENDIO O DESCARGA ELÉCTRICA. NO UTILICE ESTE ENCHUFE CON UN CABLE DE EXTENSIÓN, RECEPTÁCULO U OTRA TOMA DE CORRIENTE A MENOS QUE LAS PATILLAS PUEDAN INSERTARSE COMPLETAMENTE, CON OBJETO DE EVITAR QUE LAS PATILLAS QUEDEN EXPUESTAS. PARA EVITAR EL PELIGRO DE INCENDIO O DESCARGA ELÉCTRICA. NO EXPONGA ESTE APARATO A LA LLUVIA O LA HUMEDAD. PARA EVITAR DESCARGAS ELÉCTRICAS, INSERTE COMPLETAMENTE LA PATILLA ANCHA DEL ENCHUFE EN LA TOMA DE CORRIENTE.

Información importante sobre seguridad

Normas y reglamentos de la FCC

Los receptores inalámbricos Samson están certificados en virtud del epígrafe 15 de las normas de la FCC, y los transmisores están certificados en virtud del epígrafe 74 de las normas de la FCC.

El licenciado del equipo de Samson es responsabilidad del usuario, y la concesión de licencias depende de la clasificación del usuario, la aplicación y la frecuencia seleccionada.

NOTA: Este equipo ha sido sometido a pruebas y se ha encontrado que cumple con los límites para un dispositivo digital de Clase B, de conformidad con el epígrafe 15 de las normas de la FCC. Estos límites están diseñados para proporcionar protección razonable contra interferencias perjudiciales en una instalación residencial. Este equipo genera, usa y puede radiar energía de radiofrecuencia y, de no instalarse y ser usado de acuerdo con las instrucciones, podría provocar interferencias perjudiciales a las radiocomunicaciones. No obstante, no se garantiza que las interferencias no puedan ocurrir en una instalación en particular. Si el equipo provoca interferencias perjudiciales en la recepción de radio o televisión, lo cual puede determinarse encendiendo y apagando el equipo, se anima al usuario a que trate de corregir la interferencia adoptando una o más de las siguientes medidas:

- Reoriente o cambie de ubicación la antena receptora.
- Aumente la separación entre el equipo y el receptor.
- Conecte el equipo a una toma de corriente en un circuito diferente a aquel al que está conectado el receptor.
- Si necesita ayuda, consulte a su vendedor o a un técnico de radio/TV con experiencia.

ADVERTENCIA: Cualquier cambio o modificación no aprobada de forma expresa por la parte responsable del cumplimiento podría anular la autoridad del usuario para manejar el equipo.

Este dispositivo cumple con la norma RSS-210 de la Industria y Ciencia de Canadá. Su operación está sujeta a las dos condiciones siguientes:

- (1) este dispositivo no debe provocar interferencias perjudiciales, y
- (2) este dispositivo debe aceptar cualquier interferencia recibida, incluyendo interferencias que puedan causar un funcionamiento no deseado.

Este equipo está previsto para ser usado en aplicaciones de microfonía inalámbrica.

Este equipo está destinado a ser comercializado en: AT, BE, CH, CY, CZ*, DK, EE, FI*, FR*, DE*, GR*, HU, IE, IS, IT, LV, LT*, LU, MT*, NL, NO*, PL* PT, RO, SK, SI, ES, SE, UK

*Sujeto a licencia. Por favor, póngase en contacto con su autoridad nacional en materia de frecuencias para recibir información acerca del uso legal disponible en su área. Cualquier cambio o modificación no aprobada expresamente por Samson Technologies Corp. podría anular su autoridad para hacer funcionar el equipo.



Si desea desechar este producto, no lo mezcle con los residuos domésticos de tipo general. Existe un sistema de recogida por separado para los productos electrónicos, de conformidad con la legislación que requiere un tratamiento, recuperación y reciclaje adecuados.

Los domicilios particulares de los 28 estados miembro de la UE, y de Suiza y Noruega, pueden devolver sus productos electrónicos usados sin cargo alguno en instalaciones de recogida designadas o a un vendedor (en caso de que usted comprara uno nuevo similar).

Para los Países no mencionados arriba, por favor, póngase en contacto con sus autoridades locales para informarse sobre un método de eliminación correcto.

Haciéndolo así, tendrá la seguridad de que su producto desechado se somete al tratamiento, recuperación y reciclaje necesarios y, de esta manera, evitará efectos potencialmente negativos en el entorno y la salud humana.

Introducción

Felicidades por adquirir el sistema inalámbrico Concert 99 de Samson. El Concert 99 es la solución ideal para el intérprete activo que necesite un sistema fiable y con gran sonido para sus aplicaciones inalámbricas. De manejo sencillo y con un visualizador LCD retroiluminado de gran tamaño, selección automática de canales y ajuste por infrarrojos para sincronizar los canales del transmisor y el receptor, el Concert 99 es fácil de configurar y de hacer funcionar. El sistema Concert 99 asegura una interpretación limpia y sin interrupciones, ya que utiliza un diseño True RF Diversity con una clave de tono piloto y función de silenciamiento automático. Esta configuración proporciona la máxima distancia de funcionamiento, además de eliminar cualquier ruido de fondo cuando el transmisor se encuentre apagado o fuera de alcance.

El Concert 99 viene en cuatro configuraciones. El sistema portátil vocal incluye el transmisor portátil CH99 con la cápsula de micrófono dinámico de calidad superior Q8, de Samson. El sistema de cintura CB99 puede configurarse tanto con el micrófono auricular SE10, con el micrófono de corbata LM10 o con un cable de instrumento de ¼". El Concert 99 incluye un kit de montaje en rack de 19" para instalaciones permanentes o su transporte en un rack móvil.

En estas páginas encontrará una descripción detallada de las características del sistema inalámbrico Concert 99, además de instrucciones paso a paso para su configuración y uso. Si su sistema inalámbrico se adquirió en los Estados Unidos, encontrará también una tarjeta de registro incluida. No olvide seguir las instrucciones, de modo que pueda recibir asistencia técnica en línea y para que en el futuro podamos enviarle información actualizada acerca de este y de otros productos Samson. Asegúrese también de visitar nuestro sitio web www.samsontech.com para obtener información completa de toda nuestra línea de productos.

Le recomendamos que conserve los siguientes registros como referencia, además de una copia de su recibo de compra:

Número de serie del receptor: _____

Número de serie del transmisor: _____

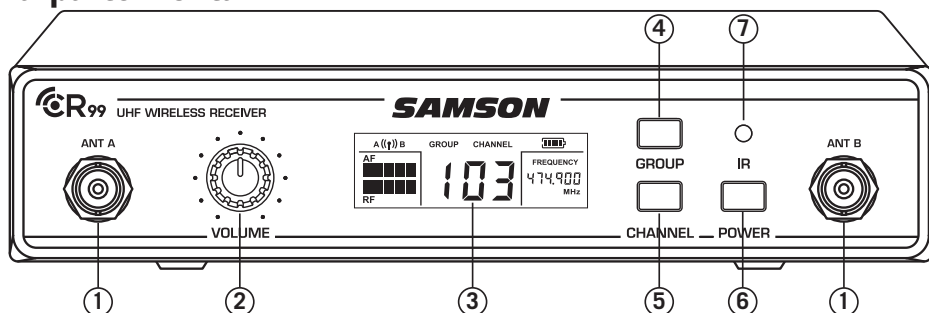
Fecha de compra: _____

Con un cuidado y mantenimiento adecuados, su sistema inalámbrico Concert 99 funcionará sin problemas durante muchos años. En el caso de que su sistema inalámbrico necesitara ser reparado, deberá obtener un número de autorización de devolución (Return Authorization, RA) antes de expedir su unidad a Samson. Sin este número, su unidad no será aceptada. Por favor, llame a Samson al 1-800-3SAMSON (1-800-372-6766) para obtener un número de RA antes de expedir su unidad. Por favor, conserve los materiales del embalaje original y, si es posible, devuelva la unidad en su caja de cartón original. Si su sistema Concert 99 fue adquirido fuera de los Estados Unidos, póngase en contacto con su distribuidor local para conocer detalles acerca de la garantía e información sobre reparaciones.

Características del sistema

- Sistema inalámbrico profesional para su uso en aplicaciones tanto de sonido en directo como de instalaciones de sonido contratadas.
- Su tecnología True RF Diversity maximiza el rango activo (hasta 300 pies; 91 metros) y reduce potenciales interferencias
- 80 canales disponibles funcionando en la banda UHF, diseñados para una máxima compatibilidad del sistema en la misma ubicación sin interferencia
- El receptor CR99 es una unidad metálica en medio rack que puede usarse de forma autónoma o montarse en cualquier rack estándar de 19" usando el kit de rack que se incluye, haciendo fácil su integración en cualquier sistema de audio itinerante o de instalación fija
- Su sistema de código de tonos y silenciamiento automático asegura un funcionamiento libre de interrupciones, al permitir que únicamente el sonido del transmisor pase a través del receptor y silenciando la salida si el receptor está apagado o fuera de alcance
- Alcance de hasta 300 pies / 91 metros (línea visual)
- Hasta ocho horas de duración de la pila, usando dos pilas AA estándar

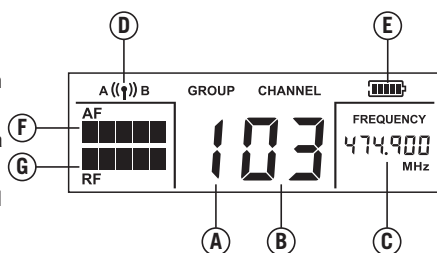
Receptor CR99 - Descripción de los componentes de la parte frontal



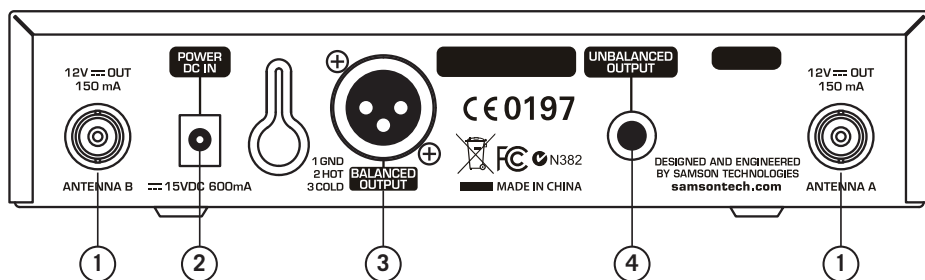
- Jacks de antena** - Los conectores de antena BNC frontales permiten una rotación completa para facilitar una óptima colocación. Durante el funcionamiento normal, ambas antenas deberán estar colocadas en posición vertical.
- Control VOLUME (volumen)** - Esta perilla establece el nivel de la señal de audio que se transmite a través de los jacks de salida balanceados y no balanceados que se encuentran en el panel posterior. El nivel de referencia se obtiene cuando la perilla se gira completamente hacia la derecha (hasta su posición "10")
- Visualizador LCD** - Muestra los ajustes del transmisor y el receptor.
- Botón GROUP (grupo)** - Mantenga pulsado el botón para desplazarse a través de los grupos disponibles. Mantenga pulsado el botón para buscar canales disponibles dentro del grupo seleccionado.
- Botón CHANNEL (canal)** - Mantenga pulsado para desplazarse a través de los canales disponibles dentro de un grupo. Mantenga pulsado el botón para entrar en IR Set (ajuste de IR), utilizado para configurar el canal de operación del transmisor.
- Botón POWER (alimentación)** - Mantenga pulsado para encender y apagar el CR99.
- Transmisor IR** - Durante "IR SET" (ajuste de IR), se utiliza una luz infrarroja para establecer el canal transmisor.

Visualizador del receptor

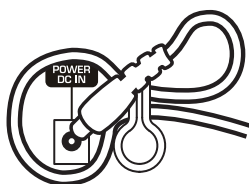
- Grupo** - Muestra el grupo seleccionado
- Canal** - Muestra el canal seleccionado
- Frecuencia** - Indica la frecuencia de operación del Grupo y Canal seleccionados.
- Indicador de antena** - Indica la antena activa (A o B).
- Nivel de la pila del transmisor** - Indica el nivel de carga de la pila del transmisor.
- Medidor de audio** - Indica la potencia de la señal de audio entrante.
- Medidor de señal RF** - Indica la potencia de la señal de radio entrante.



Receptor CR99 - Descripción de los componentes de la parte trasera



- 1. Jacks de antena** - Los conectores de antena BNC traseros permiten una rotación completa para facilitar una óptima colocación. Durante el funcionamiento normal, ambas antenas deberán estar colocadas en posición vertical.
- 2. Entrada DC** - Conecte aquí el adaptador de corriente que se suministra usando el aliviador de tensión tal como se muestra en la siguiente ilustración. **ADVERTENCIA:** No lo sustituya por ninguna otra clase de adaptador de corriente. Hacerlo podría provocar graves daños al CR99 e invalidaría su garantía.
- 3. SALIDA BALANCEADA** - Use este jack XLR de baja impedancia (600 ohmios) balanceado electrónicamente cuando conecte el CR99 a un equipo de audio profesional (+4dBu). El cableado de las clavijas es el siguiente: Clavija 1 a tierra, Clavija 2 alta (caliente), y Clavija 3 baja (fría).
- 4. SALIDA NO BALANCEADA** - Use este jack de 1/4" de alta impedancia (5000 ohmios) no balanceado cuando conecte el CR99 a un equipo de audio doméstico (-10dBu). El cableado es el siguiente: punta caliente, funda a tierra.



Uso del aliviador de tensión: Haga un lazo de alambre y páselo a través del aliviador de tensión, después pase la clavija del adaptador a través del lazo para crear un nudo.

Transmisor de cintura CB99 - Descripción de componentes

1. Conector de entrada - Conecte el dispositivo de entrada mediante el conector mini-XLR. El CB99 se suministra ya como corbata, micrófono auricular o cable de instrumento de ¼".

2. Indicador de estado - Este LED muestra el modo de operación:

VERDE	Funcionamiento normal
ROJO	Silenciado
VERDE parpadeante	Baja carga de la pila

3. Interruptor Power/Mute (alimentación/silenciamiento) - Mantenga pulsado para encender y apagar la unidad. Pulse y suelte para activar o desactivar la función de silenciamiento del transmisor.

4. Clip de cintura - Use este clip para sujetar el transmisor CB99 a un cinturón o una correa de guitarra.

5. Apertura de la tapa de la pila - Presione ambos lados y tire hacia atrás para abrir la tapa de la pila del CB99.

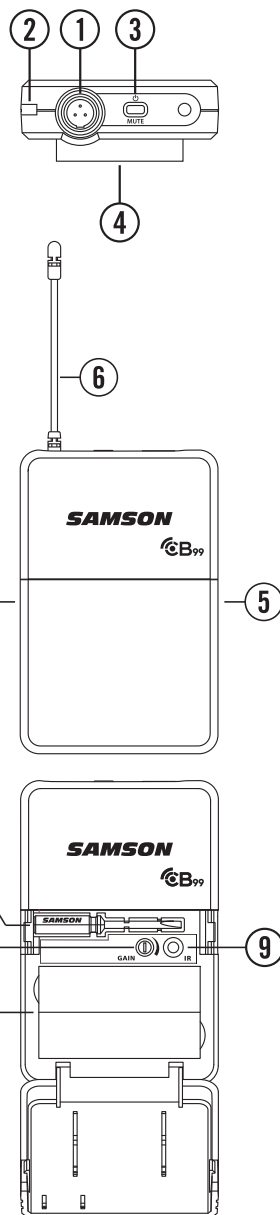
6. Antena - Esta antena de transmisión permanentemente acoplada puede extenderse completamente durante el funcionamiento normal.

7. Control GAIN (ganancia) de entrada - Este control ajusta la sensibilidad de entrada del transmisor para que funcione con entradas de micrófono e instrumentos. Para un rendimiento óptimo, utilizando el destornillador que se incluye ajuste el control GAIN (ganancia) de entrada hasta donde vea que el indicador de valor máximo del Medidor de Audio del CR99 se empieza a iluminar en los niveles altos; a continuación, gire lentamente para reducir hasta que el indicador de valor máximo deje de estar iluminado.

8. Soporte de la pila - Inserte aquí dos pilas AA (LR6) estándar, asegurándose de respetar los indicadores de polaridad (+/-) que se muestran. Aunque es posible utilizar pilas recargables de níquel-cadmio y níquel-metal hidruro, estas no suministran una corriente adecuada durante más de cuatro horas. **ADVERTENCIA:** No inserte las pilas al revés, hacerlo podría provocar graves daños al CB99 e invalidaría su garantía.

9. Lente IR - Esta ventana se usa para capturar la señal infrarroja enviada desde el receptor CR99 durante el IR SET (ajuste de IR) para canalizar el transmisor.

10. Destornillador de plástico - Diseñado para usarse en el ajuste del control GAIN (#7) de entrada del CB99.



Transmisor portátil CH99 - Descripción de componentes

1. **Indicador de estado** - Este LED muestra el modo de operación:

VERDE	Funcionamiento normal
ROJO	Silenciado
VERDE parpadeante	Baja carga de la pila

2. **Interruptor Power/Mute (alimentación/silenciamiento)** - Mantenga pulsado para encender y apagar la unidad. Pulse y suelte para activar o desactivar la función de silenciamiento del transmisor.

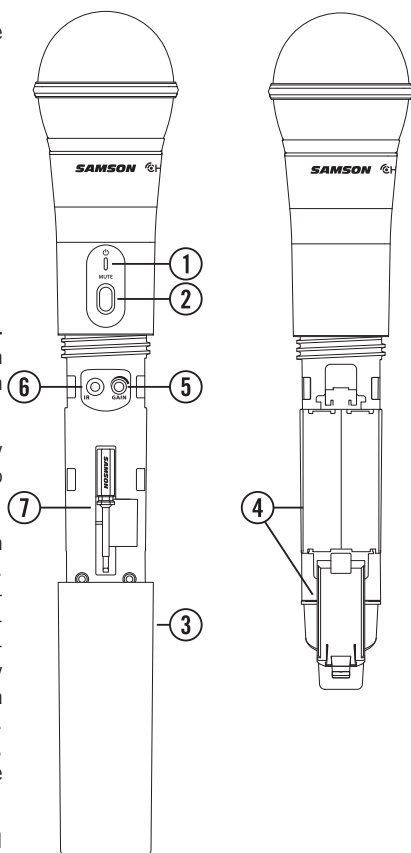
3. **Tapa de la pila** - Desatornille la tapa de la pila y deslice hacia abajo para abrir el compartimento para pilas del CH99.

4. **Soporte de la pila** - Abra el soporte de la pila pulsando la pestaña y levantando la tapa. Inserte aquí dos pilas AA (LR6) estándar, asegurándose de respetar los indicadores de polaridad (+/-) que se muestran. Aunque es posible utilizar pilas recargables de níquel-cadmio y níquel-metal hidruro, estas no suministran una corriente adecuada durante más de cuatro horas. **ADVERTENCIA:** No inserte las pilas al revés, hacerlo podría provocar graves daños al CH99 e invalidaría su garantía.

5. **Control GAIN (ganancia) de entrada** - Este control ajusta la sensibilidad de entrada del transmisor. Para un rendimiento óptimo, utilizando el destornillador que se incluye ajuste el control GAIN (ganancia) de entrada hasta donde vea que el indicador de valor máximo del Medidor de Audio del CR99 se empieza a iluminar en los niveles altos; a continuación, gire lentamente para reducir hasta que el indicador de valor máximo deje de estar iluminado.

6. **Lente IR** - Esta ventana se usa para capturar la señal IR enviada desde el CR99 durante el IR SET (ajuste de IR) para canalizar el transmisor. La tapa de la pila debe estar abierta y la Lente IR debe estar orientada hacia el receptor para cargar el canal seleccionado.

7. **Destornillador de plástico** - Diseñado para usarse en el ajuste del control GAIN de entrada del CB99 (vea #5 Control GAIN de entrada HH).



ENGLISH

FRANÇAIS

DEUTSCHE

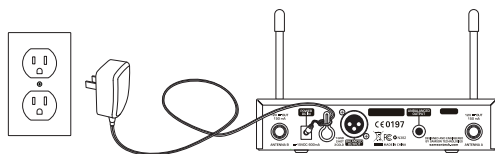
ESPAÑOL

ITALIANO

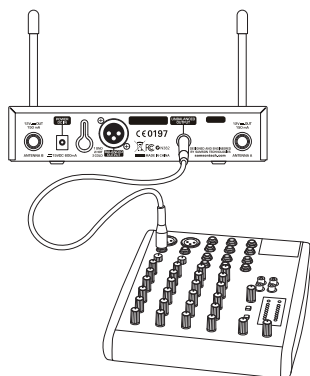
Inicio rápido

Para que su sistema inalámbrico funcione correctamente, tanto el receptor como el transmisor deben estar ajustados al mismo canal. Siga este procedimiento básico para configurar y usar su sistema inalámbrico Concert 99:

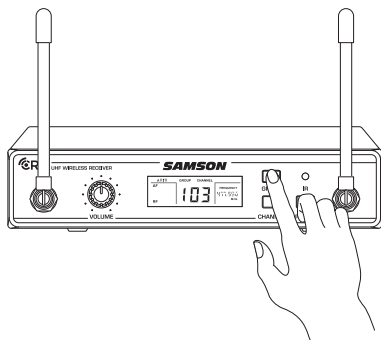
1. Coloque físicamente el receptor CR99 donde vaya a ser utilizado y extienda las antenas verticalmente. La regla general es mantener "línea visual" entre el receptor y el transmisor, de manera que la persona que esté usando o portando encima el transmisor pueda ver el receptor.
2. Con el CR99 apagado, conecte el adaptador de corriente que viene incluido. Encienda el CR99 momentáneamente para confirmar que la unidad esté recibiendo alimentación. A continuación apague el CR99.



3. Con su amplificador o mezcladora apagada y el control de volumen completamente al mínimo, conecte el jack de salida del receptor CR99 a la entrada de un amplificador o la entrada de micrófono o nivel de línea de una mezcladora o amplificador usando la salida XLR balanceada o la salida de 1/4" de nivel de línea no balanceada. Gire la perilla Level (nivel) del CR99 completamente hacia la izquierda y después enciéndalo para que reciba alimentación.

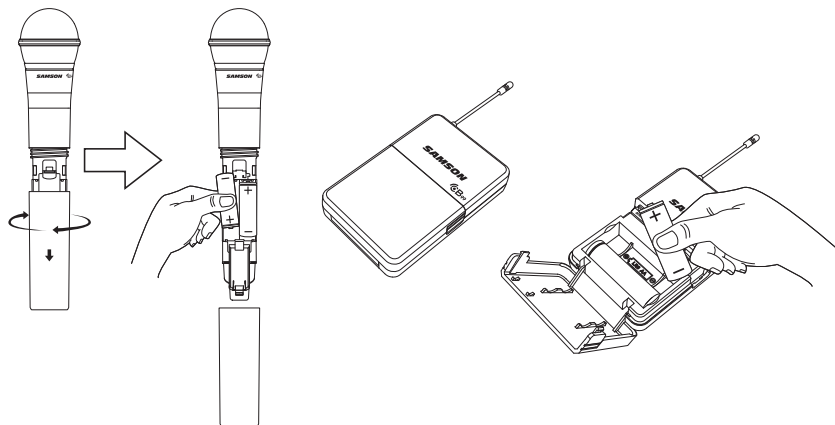


4. Mantenga pulsado el botón GROUP (grupo) en la parte frontal del receptor CR99 para buscar un canal disponible dentro de un grupo seleccionado.

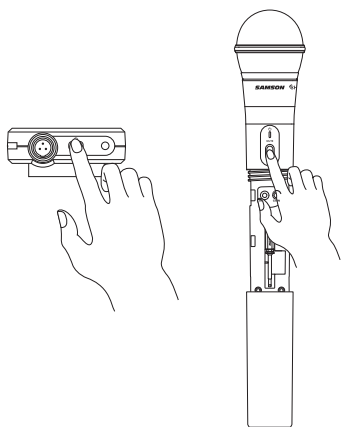


Inicio rápido

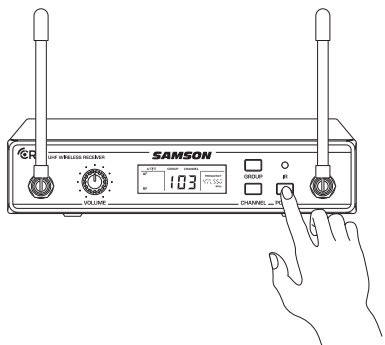
5. Con el transmisor apagado, instale dos pilas AA nuevas en el transmisor de cintura CB99 o el transmisor portátil CH99. Deje abierto el compartimento para pilas.



6. Encienda el transmisor manteniendo pulsado el interruptor Power (alimentación); el indicador LED se iluminará en verde.

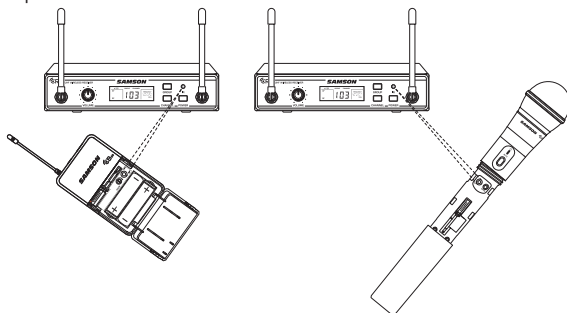


7. Mantenga pulsado el botón CHANNEL (canal) del CR99 para ejecutar un ajuste de IR, el cual sincronizará el transmisor al mismo canal que el receptor mediante transmisión de infrarrojos.



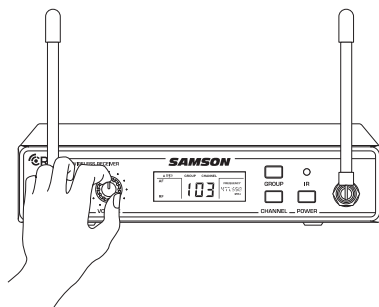
Inicio rápido

- Coloque el transmisor a una distancia aproximada de 6"-12" (15-30cm) de la parte frontal del CR99 con la ventana de IR del transmisor orientada hacia el transmisor de IR del panel delantero del receptor CR99.



- Cuando la transmisión se haya completado, el CR99 recibirá señales de RF y el código de tonos del transmisor. El medidor de RF del CR99 se iluminará, indicando que está recibiendo señal inalámbrica procedente del transmisor.

- Encienda el amplificador o mezcladora que tenga conectado, pero mantenga el volumen completamente al mínimo. Ajuste la perilla de volumen del CR99 totalmente hacia la derecha (a su posición "10"). Esta es la ganancia de la unidad.



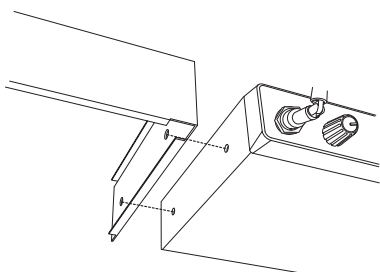
- Hable o cante ante el micrófono, o si está usando el transmisor con un instrumento conectado, toque el instrumento a su nivel de ejecución normal. Suba lentamente el volumen de su amplificador o mezcladora hasta alcanzar el nivel deseado.
- Camine por la zona donde se va a desarrollar la actividad para asegurarse de que la cobertura es consistente en todos los lugares. Si encuentra que el sistema muestra caídas de sonido perceptibles, un rango de funcionamiento general reducido, o inesperadas ráfagas de ruido, cambie el canal operativo del sistema siguiendo los pasos ya descritos.

Cuando use múltiples sistemas, cada sistema deberá ajustarse a un canal de operación diferente. Ajuste todos los transmisores y receptores adicionales al mismo Grupo para maximizar el número de canales compatibles. Cuando ajuste transmisores adicionales, asegúrese de cerrar los compartimentos de las pilas de todos los demás transmisores para tener la certeza de que la lente IR esté cubierta. Haga una exploración de canales para cada transmisor para seleccionar el canal óptimo.

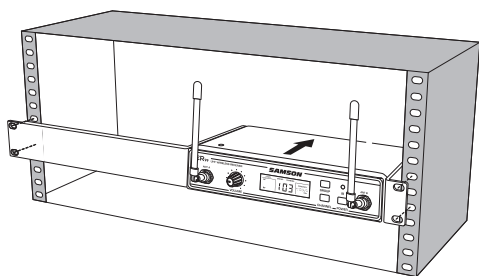
Montaje en rack

El receptor CR99 puede instalarse en un rack de 19" estándar para su transporte o instalación permanente usando las asas que vienen incluidas. Siga los sencillos pasos siguientes para montar el CR99:

Acople las asas que vienen incluidas atornillando las asas a cada lado del CR99.

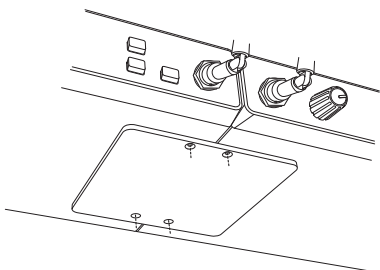


Coloque el receptor CR99 en un espacio disponible del rack y deslícelo hacia adentro hasta que las asas toquen los rieles de la caja rack y estén alineadas con los orificios del riel del rack.

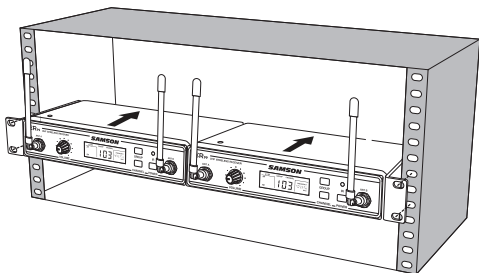


Monte el receptor en el interior del rack usando tornillos del tamaño adecuado para el rack (no incluidos). Para asegurar que la tensión y el equilibrio sean iguales cuando instale el receptor, deberá asegurar los tornillos siguiendo un patrón entrecruzado de esquinas opuestas: superior izquierda -> inferior derecha -> superior derecha -> inferior izquierda.

Para montar dos receptores CR99 en un solo espacio del rack, el sistema incluye una pieza de conexión central. Atornille la pieza de conexión central a la parte inferior de cada receptor y acople las asas cortas a cada receptor.



Monte los receptores en el rack usando el patrón entrecruzado descrito anteriormente.



Planes de canal

Grupo K 470–494MHz								
	Canal							
Grupo	00	01	02	03	04	05	06	07
0	473,050	474,425	474,900	480,475	484,075	486,975	487,975	492,425
1	470,125	471,500	471,975	477,550	481,150	484,050	485,050	489,500
2	470,525	471,900	472,375	477,950	481,550	484,450	485,450	489,900
3	471,075	472,450	472,925	478,500	482,100	485,000	486,000	490,450
4	471,475	472,850	473,325	478,900	482,500	485,400	486,400	490,850
5	472,025	473,400	473,875	479,450	483,050	485,950	486,950	491,400
6	472,425	473,800	474,275	479,850	483,450	486,350	487,350	491,800
7	473,375	474,750	475,225	480,800	484,400	487,300	488,300	492,750
8	473,925	475,300	475,775	481,350	484,950	487,850	488,850	493,300
9	474,325	475,700	476,175	481,750	485,350	488,250	489,250	493,700

Grupo D 542-566MHz								
	Canal							
Grupo	00	01	02	03	04	05	06	07
0	545,050	546,425	546,900	552,475	556,075	558,975	559,975	564,425
1	542,125	543,500	543,975	549,550	553,150	556,050	557,050	561,500
2	542,525	543,900	544,375	549,950	553,550	556,450	557,450	561,900
3	543,075	544,450	544,925	550,500	554,100	557,000	558,000	562,450
4	543,475	544,850	545,325	550,900	554,500	557,400	558,400	562,850
5	544,025	545,400	545,875	551,450	555,050	557,950	558,950	563,400
6	544,425	545,800	546,275	551,850	555,450	558,350	559,350	563,800
7	545,375	546,750	547,225	552,800	556,400	559,300	560,300	564,750
8	545,925	547,300	547,775	553,350	556,950	559,850	560,850	565,300
9	546,325	547,700	548,175	553,750	557,350	560,250	561,250	565,700

Planes de canal

Grupo F* 606-630MHz								
Canal								
Grupo	00	01	02	03	04	05	06	07
0	609,050	610,425	610,900	616,475	620,075	622,975	623,975	628,425
1	606,125	607,500	607,975	613,550	617,150	620,050	621,050	625,500
2	606,525	607,900	608,375	613,950	617,550	620,450	621,450	625,900
3	607,075	608,450	608,925	614,500	618,100	621,000	622,000	626,450
4	607,475	608,850	609,325	614,900	618,500	621,400	622,400	626,850
5	608,025	609,400	609,875	615,450	619,050	621,950	622,950	627,400
6	608,425	609,800	610,275	615,850	619,450	622,350	623,350	627,800
7	609,375	610,750	611,225	616,800	620,400	623,300	624,300	628,750
8	609,925	611,300	611,775	617,350	620,950	623,850	624,850	629,300
9	610,325	611,700	612,175	617,750	621,350	624,250	625,250	629,700

Grupo L* 823-832MHz								
Canal								
Grupo	00	01	02	03	04	05	06	07
0	823,125	824,125	825,325	826,725	827,925	828,325	829,700	830,800
1	823,225	824,225	825,425	826,825	828,025	828,425	829,800	830,900
2	823,325	824,325	825,525	826,925	828,125	828,525	829,900	831,000
3	823,425	824,425	825,625	827,025	828,225	828,625	830,000	831,100
4	823,525	824,525	825,725	827,125	828,325	828,725	830,100	831,200
5	823,625	824,625	825,825	827,225	828,425	828,825	830,200	831,300
6	823,725	824,725	825,925	827,325	828,525	828,925	830,300	831,400
7	823,825	824,825	826,025	827,425	828,625	829,025	830,400	831,500
8	823,925	824,925	826,125	827,525	828,725	829,125	830,500	831,600
9	824,025	825,025	826,225	827,625	828,825	829,225	830,600	831,700

* Uso no válido en EE.UU. y Canadá. Si tiene alguna pregunta acerca de los canales disponibles en su área, contacte con su distribuidor Samson local.

Solución de problemas

Problema	Soluciones
Sin sonido	Asegúrese de que tanto el transmisor como el receptor estén encendidos.
	Asegúrese de que las pilas del transmisor están instaladas correctamente.
	Compruebe que el transmisor no está silenciado.
	Confirme que el adaptador del receptor CR99 esté correctamente conectado y enchufado a una toma eléctrica.
	Asegúrese de que los cables de salida de audio estén conectados de manera segura al receptor CR99.
	Asegúrese de que el receptor y el transmisor están en línea visual el uno con el otro.
	Compruebe los controles del receptor y de nivel de entrada de audio al dispositivo.
	Asegúrese de que el transmisor y el receptor tienen asignado el mismo canal operativo. Si no está seguro, reinicie el canal efectuando un ajuste de IR.
Sonido distorsionado	El nivel de salida del receptor o el nivel de entrada de audio al dispositivo pueden que sean demasiado altos.
	Compruebe las pilas del transmisor, y sustitúyalas si su carga es demasiado baja.
	La ganancia de entrada del transmisor o el nivel de la fuente de sonido puede que sean demasiado altas.
Caídas de sonido	El transmisor puede que esté demasiado alejado del receptor. Acérquelo al receptor, o reubique las antenas.
	Retire cualquier fuente que pueda causar interferencias de RF, como teléfonos móviles, teléfonos inalámbricos, equipo de iluminación, ordenadores, estructuras metálicas, etc.
	Mueva el receptor al espacio superior del rack de equipo o colóquelo encima del equipo para asegurarse de que no hay obstrucciones que bloqueen la línea visual desde el transmisor.
El receptor no se enciende	Compruebe el adaptador para asegurarse de que está correctamente conectado y enchufado a una toma de corriente que suministre alimentación.
El transmisor no se enciende	Sustituya las pilas del transmisor.
Ruido o interferencia no deseados	Si está usando múltiples sistemas, asegúrese de que ninguno de los sistemas está emitiendo en el mismo canal. Si el problema persiste, cambie uno o todos los canales de los sistemas.
	Si está usando múltiples sistemas, asigne todos los receptores al mismo Grupo. Haga una exploración de canales dentro del Grupo para seleccionar los Canales óptimos.

Especificaciones

Sistema

Radio de funcionamiento	300' (100m) de línea visual
Respuesta de frecuencia de audio	50 Hz - 15 kHz
T.H.D. (distorsión armónica total) (Global)	1% (@AF 1 kHz, RF 46 dBu)
Rango dinámico	>103 dB de promedio ponderado
Relación señal-ruido	>90 dB
Temperatura de funcionamiento	-10°C (14°F) a +60°C (+140°F)
Frecuencia de control de tonos	35,000 kHz

Transmisor de cintura CB99

Conector de entrada	Mini-XLR (P3)
Impedancia de entrada	1M Ω
Rango de ganancia de entrada	38 dB
Potencia de RF	10 mW EIRP
Requisitos de alimentación	Dos pilas alcalinas AA (LR6)
Vida útil de la pila	8 horas
Dimensiones (Alt.xAnch.xProf.)	3,75" x 2,44" x 0,75" 96mm x 62mm x 18,5mm
Peso	0,2 lb / 93 g

Transmisor portátil CH99

Elemento de micrófono	Dinámico
Rango de ganancia de entrada	28 dB
Potencia de RF	10 mW EIRP
Requisitos de alimentación	Dos pilas alcalinas AA (LR6)
Vida útil de la pila	8 horas
Dimensiones (Hx \varnothing)	10,23" x 2,1" 260mm x 54mm
Peso	0,48 lb / 218 g

Receptor CR99

Nivel de salida de audio - No balanceada	+14 dBu
Nivel de salida de audio - Balanceada	+9 dBu
Impedancia de salida de audio - No balanceada	810 ohmios
Impedancia de salida de audio - Balanceada	240 ohmios
Sensibilidad	-100 dBm / 30 dB de sinad
Rechazo de imagen	>50 dB
Voltaje operativo	15 VDC 200mA
Dimensiones (Alt.xAnch.xProf.)	7,87" x 5,9" x 1,6" 200mm x 150mm x 42mm
Peso	2,08lb / 0,946kg

En Samson estamos continuamente mejorando nuestros productos; por lo tanto, las especificaciones e imágenes están sujetas a cambios sin previo aviso.

Declaración de conformidad con la directiva RTTE

De conformidad con EN ISO 17050:2005

Nosotros, Samson Technologies Corporation, con sede en 45 Gilpin Ave, Hauppauge, NY 11788 USA, declaramos bajo nuestra propia responsabilidad que los productos:

Nombre del producto: Micrófono inalámbrico Concert 99

Denominación comercial: Samson

Tipo o Modelo: CR99 (Receptor), CH99 (Transmisor portátil), CB99 (Transmisor de cintura)

guardan conformidad con los requisitos esenciales de la(s) siguiente(s) directiva(s) de la CE, de ser instalados de acuerdo con las instrucciones de instalación contenidas en la documentación del producto:

2006/95/CE - Directiva de LVD

2004/108/CE - Directiva de EMC

1999/5/CE - Directiva de R&TTE

El producto guarda conformidad con los siguientes estándares y/u otros documentos normativos:

EN60065:2014 Audio, vídeo y aparatos electrónicos similares - Requisitos de seguridad

EN301 489-1 V1.9.1 Requisitos técnicos comunes.

EN301 489-9 V1.4.1 Condiciones específicas para micrófonos inalámbricos, equipos de emisión de audio por radiofrecuencia (RF) similares, dispositivos de monitorización en audio sin cable y con auriculares internos.

EN300 422-1 V1.5.1 Características y métodos técnicos.

EN300 422-2 V1.4.1 EN armonizada cubriendo los requisitos esenciales del artículo 3.2 de la directiva de R&TTE

EN62479:2010 EN armonizada cubriendo los requisitos esenciales del artículo 3.1a de la directiva de R&TTE

Año del marcado CE (Directiva sobre baja tensión): 2015

Marca de identificación **0197** (Número del organismo notificado)

Este equipo también llevará el identificador de equipo Clase 2:

Firmado en representación del fabricante:

Representante autorizado: Douglas Bryant

Cargo: Vicepresidente de Ingeniería

Fecha: 12/5/2015



CE 0197

Por la presente, Samson Technologies Corp., declara que los CR99, CH99, CB99 guardan conformidad con los requisitos esenciales y otras disposiciones relevantes de la Directiva 1999/5/EC. La declaración de conformidad puede consultarse en:

www.samsontech.com/samson/products/wireless-systems/concert-99/concert99hh/#downloads-and-manuals-tab

Importanti indicazioni di sicurezza

1. Leggere attentamente le istruzioni.
2. Conservare le istruzioni.
3. Rispettare tutte le avvertenze.
4. Seguire tutte le istruzioni.
5. Non utilizzare l'apparecchio vicino all'acqua.
6. Per la pulizia, servirsi unicamente di un panno asciutto.
7. Non bloccare le aperture di ventilazione. Procedere all'installazione in conformità con le istruzioni del produttore.
8. Non installare il prodotto nei pressi di fonti di calore quali radiatori, bocchette di diffusione d'aria calda, stufe o altri apparecchi (inclusi gli amplificatori) che producono calore.
9. Non eludere l'obiettivo di sicurezza della spina polarizzata o con messa a terra. Una spina polarizzata è dotata di due poli, uno più largo dell'altro. Una spina con messa a terra è dotata di due poli e di un terzo terminale di massa. Il polo più largo, o terzo terminale, è presente per sicurezza. Se la spina in dotazione non è adatta alla presa, rivolgersi a un elettricista per la sostituzione della presa obsoleta.
10. Fare in modo che il cavo di alimentazione non venga calpestato o schiacciato, soprattutto in corrispondenza di spine, prese e nel punto di uscita dall'apparecchio.
11. Servirsi unicamente di apparecchiature/accessori specificati dal produttore.
12. Utilizzare il prodotto soltanto con i carrelli di supporto, i supporti, le staffe a treppiede o i tavoli specificati dal produttore o venduti insieme all'apparecchio. Quando si utilizza un carrello, prestare attenzione durante lo spostamento dell'insieme carrello/apparecchio per evitare di rovesciarlo causando lesioni.
13. Scollegare l'apparecchio dalla rete elettrica durante i temporali o in caso di mancato utilizzo per periodi prolungati.
14. Affidare la manutenzione a personale qualificato. Gli interventi di assistenza si rendono necessari se l'apparecchio ha subito danni di qualsiasi tipo, ad esempio in caso di danni a livello di cavo di alimentazione o della spina, per via di danni dovuti all'ingresso di liquidi o alla caduta di oggetti sull'apparecchio, se questo è stato esposto alla pioggia o all'umidità, o qualora non funzioni normalmente o sia caduto a terra.
15. Non esporre l'apparecchio a gocce o schizzi d'acqua e non porre oggetti colmi di liquidi, quali vasi, sull'apparecchio.
16. Attenzione - per evitare il pericolo di scossa elettrica inserire il polo più largo nell'apposita apertura della presa.
17. Garantire una buona ventilazione intorno all'intero apparecchio.
18. L'adattatore CA è utilizzato come dispositivo di disconnessione principale, e deve rimanere sempre accessibile.
19. Non esporre le batterie (accumulatore o batterie installate) a un livello di calore eccessivo dovuto a luce del sole, fuoco o simili.



ATTENZIONE: per RIDURRE IL RISCHIO DI SCOSSA ELETTRICA, NON RIMUOVERE IL COPERCHIO (O LA PARTE POSTERIORE). NON CONTIENE PARTI RIPARABILI DALL'UTENTE. AFFIDARE LA MANUTENZIONE A PERSONALE DI ASSISTENZA QUALIFICATO.

ATTENZIONE: RISCHIO DI SCOSSA ELETTRICA NON APRIRE



Il simbolo del fulmine con la punta a freccia all'interno di un triangolo equilatero mette in guardia l'utente contro tensioni pericolose non isolate all'interno dell'alloggiamento del prodotto, di entità tale da presentare un potenziale pericolo di scossa elettrica.



Il punto esclamativo all'interno di un triangolo equilatero ha la funzione di richiamare l'attenzione dell'utente sulla presenza di importanti istruzioni relative al funzionamento e alla manutenzione nell'opuscolo fornito in dotazione con l'apparecchio.

AVVERTENZA: PER PREVENIRE IL RISCHIO DI INCENDIO O SCOSSA ELETTRICA. NON USARE QUESTA SPINA CON UN CAVO DI PROLUNGA O PRESE DI ALTRO TIPO, A MENO CHE LE LAMELLE NON POSSANO ESSERE INSERITE COMPLETAMENTE PER EVITARNE L'ESPOSIZIONE. PER PREVENIRE IL RISCHIO DI INCENDIO O SCOSSA ELETTRICA. NON ESPORRE L'APPARECCHIO A PIOGGIA O UMIDITÀ. PER PREVENIRE IL RISCHIO DI SCOSSA ELETTRICA, INSERIRE COMPLETAMENTE LA LAMELLA LARGA NELLA FESSURA CORRISPONDENTE.

Importanti indicazioni di sicurezza

Normativa FCC

I ricevitori wireless Samson sono certificati ai sensi della parte 15 della normativa FCC, e i trasmettitori sono certificati ai sensi della parte 74 della normativa FCC.

La concessione di licenze relative ad attrezzature Samson è di responsabilità dell'utente e la licenziabilità dipende dalla classificazione, dall'applicazione e dalla frequenza selezionate dall'utente.

NOTA BENE: questo apparecchio è stato testato ed è risultato conforme ai limiti previsti per i dispositivi digitali di classe B secondo la Parte 15 delle norme FCC. Tali limiti sono concepiti per garantire una ragionevole protezione contro interferenze dannose in un impianto residenziale. La presente apparecchiatura genera, impiega e può diffondere energia a radio frequenza e, se non installata e utilizzata in conformità con le istruzioni, può causare interferenze dannose alle radiocomunicazioni. Ciò nonostante, non vi è alcuna garanzia che non si verifichino interferenze in un determinato impianto. Se l'attrezzatura causa interferenze dannose alla ricezione radio o della televisione, cosa che può essere stabilita accendendo e spegnendo l'apparecchio stesso, si esorta l'utente a provare a correggere l'interferenza stessa assumendo una delle seguenti misure:

- Riorientare o riposizionare l'antenna ricevente.
- Aumentare la distanza tra l'apparecchio e il ricevitore.
- Collegare l'apparecchio a una presa su un circuito diverso da quello cui è collegato il ricevitore.
- Consultare il rivenditore o un tecnico radio/TV esperto per ottenere aiuto.

AVVERTENZA: Cambiamenti o modifiche non approvati espressamente dalla parte responsabile della conformità possono rendere nulla l'autorità dell'utente a utilizzare l'apparecchio.

Questo dispositivo è conforme a RSS-210 di Industry & Science Canada. L'uso è soggetto alle due seguenti condizioni:

- (1) questo dispositivo non deve causare interferenze dannose e
- (2) Questo dispositivo deve accettare qualsiasi interferenza ricevuta, incluse interferenze che possano causare un funzionamento indesiderato.

Questo apparecchio è destinato all'uso in applicazioni microfoniche wireless.

L'apparecchio è destinato alla vendita in: AT, BE, CH, CY, CZ*, DK, EE, FI*, FR*, DE*, GR*, HU, IE, IS, IT, LV, LT*, LU, MT*, NL, NO*, PL* PT, RO, SK, SI, ES, SE, UK

*Soggetto a licenza. Contattare l'autorità responsabile delle frequenze nazionali per informazioni sulla liceità d'uso nella propria area. In caso di modifiche o alterazioni al prodotto non espressamente autorizzate da Samson Technologies Corp., l'utente può perdere il diritto di usare il prodotto.



Il prodotto non va smaltito con i rifiuti domestici generici. Per i prodotti elettronici usati è previsto un sistema di raccolta distinto in conformità con quanto stabilito dalle normative che richiedono un adeguato trattamento, recupero e riciclaggio.

I privati nei 28 Paesi membri dell'Unione Europea, in Svizzera e Norvegia possono rendere gratuitamente i propri prodotti elettronici usati presso impianti di raccolta specifici o presso un qualsiasi rivenditore (in caso di acquisto di un nuovo prodotto).

Per i Paesi non indicati in precedenza, rivolgersi alle autorità locali per maggiori informazioni in merito al metodo di smaltimento corretto.

Così facendo si garantisce che il prodotto smaltito venga sottoposto alle necessarie procedure di trattamento, recupero e riciclaggio e che vengano impediti potenziali effetti negativi sull'ambiente e sulla salute.

Introduzione

Grazie per aver acquistato il sistema wireless Concert 99 di Samson. Il Concert 99 è la soluzione ideale per il musicista attivo che ha bisogno di un impianto audio affidabile e dal grande suono per applicazioni wireless. Caratterizzato da un grande display LCD retroilluminato, una grande facilità d'uso con scelta di canale con scansione automatica e set a infrarossi per la sincronizzazione del canale del trasmettitore e del ricevitore, il Concert 99 è semplice da configurare e da utilizzare. Il sistema Concert 99 garantisce prestazioni limpide e prive di interruzioni grazie a un design True RF Diversity con una tone-key pilota e una funzione di silenziamento automatico. Questa configurazione garantisce la massima distanza operativa, oltre a eliminare qualsiasi rumore di sottofondo quando il trasmettitore è fuori portata o spento.

Il Concert 99 è fornito in quattro configurazioni. Il sistema handheld comprende il trasmettitore portatile CH99 con la capsula per microfono dinamico di prima qualità Q8 di Samson. Il sistema belt pack CB99 può essere configurato con il microfono SE10, con il microfono lavalier LM10 o con un cavo strumentale da ¼". Il Concert 99 comprende un kit per montaggio su rack standard da 19" per installazioni permanenti o per il trasporto su rack mobile.

Queste pagine forniscono la descrizione dettagliata delle caratteristiche del sistema wireless Concert 99 e istruzioni passo-passo per la sua configurazione e l'uso. Se il sistema wireless è stato acquistato negli Stati Uniti, è allegata una scheda di registrazione: compilarla seguendo le istruzioni per ricevere assistenza tecnica online e informazioni aggiornate su questo e altri prodotti Samson in futuro. Inoltre, è possibile visitare il sito web www.samsontech.com per informazioni complete sulla nostra linea di prodotti.

Si raccomanda di conservare i seguenti dati come riferimento, oltre a una copia della ricevuta di acquisto.

Numero di serie del ricevitore: _____

Numero di serie del trasmettitore: _____

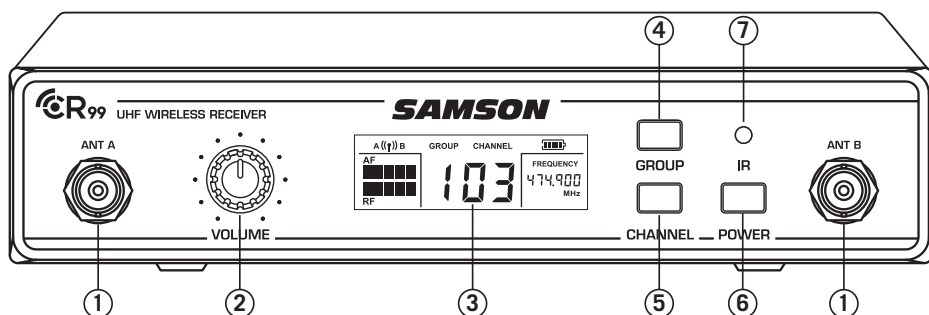
Data di acquisto: _____

Seguendo le istruzioni per la cura e la manutenzione, il sistema wireless Concert 99 funzionerà senza problemi per diversi anni. Per eventuali interventi di assistenza sul sistema wireless, è necessario ottenere un numero di autorizzazione al reso (RA) prima di inviare il prodotto a Samson. In assenza di tale numero, l'apparecchio non sarà accettato. Contattare Samson al numero 1-800-3SAMSON (1-800-372-6766) per ottenere un numero di RA prima di spedire l'apparecchio. Conservare i materiali da imballaggio originali e, se possibile, restituire l'apparecchio nella sua confezione originale. Se il sistema Concert 99 è stato acquistato fuori dagli Stati Uniti, contattare il distributore locale per dettagli sulla garanzia e informazioni sull'assistenza.

Caratteristiche del sistema

- Sistema wireless professionale per l'uso in applicazioni audio dal vivo e nella fornitura di sistemi audio.
- La tecnologia True Diversity RF massimizza la portata attiva (fino a 91 m/300") e riduce le potenziali interferenze.
- 80 canali disponibili operanti nella banda UHF per la massima compatibilità del sistema nella medesima posizione senza interferenze.
- Il ricevitore CR99 è un'unità half-rack in metallo che può essere utilizzata in maniera indipendente o montata in qualsiasi rack standard da 19" servendosi del kit per rack in dotazione, cosa che lo rende facilmente integrabile in qualsiasi impianto audio mobile o fisso.
- Il tone key e la funzione di silenziamento automatico assicurano prestazioni nitide e senza interruzioni, perché lasciano passare attraverso il ricevitore solo l'audio proveniente dal trasmettitore e silenziano l'uscita se il trasmettitore è spento o fuori portata.
- Portata fino a 91 m/300" (linea di vista)
- Fino a 8 ore di autonomia usando due batterie AA standard.

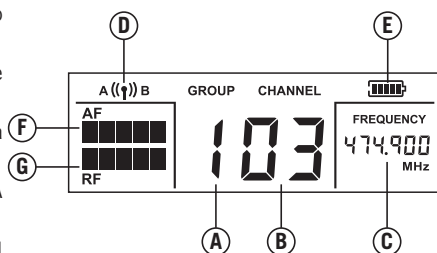
Ricevitore CR99 – Descrizione pannello anteriore



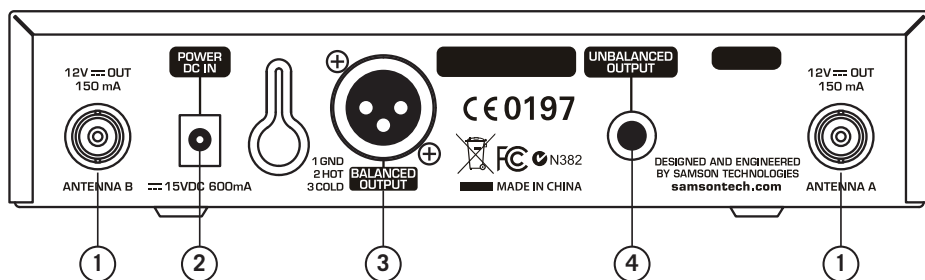
- 1. Jack antenna** - I jack antenna anteriori BNC consentono una rotazione completa per un posizionamento ottimale. In condizioni di funzionamento normali, entrambe le antenne devono essere posizionate verticalmente.
- 2. Dispositivo di controllo del VOLUME** - Questa manopola imposta il livello del segnale audio emesso tramite i jack di uscita bilanciati e non bilanciati a livello del pannello posteriore. Il livello di riferimento è ottenuto quando la manopola viene girata interamente in senso antiorario (su "10").
- 3. Display LCD** - Mostra le impostazioni del trasmettitore e del ricevitore.
- 4. Tasto GROUP (gruppi)** - Premere e rilasciare il tasto per scorrere lungo i gruppi disponibili. Tenere premuto il tasto per effettuare la scansione dei canali disponibili nell'ambito del gruppo selezionato.
- 5. Tasto CHANNEL (canale)** - Premere e rilasciare questo tasto per scorrere lungo i canali disponibili nell'ambito di un gruppo. Tenere premuto il tasto per entrare in IR Set e configurare il canale operativo del trasmettitore.
- 6. Tasto di accensione (POWER)** - Tenere premuto questo tasto per accendere o spegnere il CR99.
- 7. Trasmettitore IR** - Durante la "configurazione IR" viene usata una luce a infrarossi per impostare il canale del trasmettitore.

Display del ricevitore

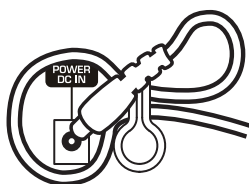
- Group (gruppo)** - Mostra a display il gruppo selezionato
- Channel (canale)** - Mostra a display il canale selezionato
- Frequency (frequenza)** - Indica la frequenza operativa del Gruppo e del Canale selezionato.
- Indicatore Antenna**- Indica l'antenna attiva (A o B).
- Spia di livello batteria del trasmettitore** - Indica il livello di carica della batteria del trasmettitore.
- Misuratore Audio** - Indica la forza del segnale audio in arrivo.
- Misuratore segnale RF** - Indica la forza del segnale radio in arrivo.



Ricevitore CR99 – Descrizione pannello posteriore



1. **Jack antenna** - I jack antenna posteriori BNC consentono una rotazione completa per un posizionamento ottimale. In condizioni di funzionamento normali, entrambe le antenne devono essere posizionate verticalmente.
2. **Ingresso CC** - Collegare l'adattatore di alimentazione in dotazione a questo livello, servendosi del pressacavo come indicato nell'illustrazione sottostante. **AVVERTENZA:** non servirsi di altri tipi di adattatore. Questo potrebbe portare gravi danni al CR99 e causare l'annullamento della garanzia.
3. **USCITA BILANCIATA** - Servirsi di questo jack XLR elettronicamente bilanciato e a bassa impedenza (600 Ohm) per il collegamento del CR99 a dispositivi audio professionali (+4dBu). Il cablaggio dei perni è come segue: Perno 1 terra, Perno 2 alto (caldo) e Perno 3 basso (freddo).
4. **USCITA NON BILANCIATA** - Servirsi di questo jack da 1/4" e ad alta impedenza (5K Ohm) per il collegamento del CR99 a dispositivi audio di consumo (-10dBV). Il cablaggio è come segue: spinotto caldo, guaina terra.



Uso del pressacavo: Raccogliere un anello di filo e farlo passare attraverso il passacavo, quindi far passare la spina dell'adattatore attraverso l'anello in modo da creare un nodo.

Trasmettitore Belt Pack CB99 – Descrizione

1. **Porta di ingresso** – Collegare il dispositivo di ingresso tramite il connettore mini-XLR. Il CB99 è fornito con un microfono lavalier, da cuffia o con un cavo strumentale da ¼".
2. **Spia di stato** – Questa spia indica la modalità di funzionamento:

VERDE	Funzionamento normale
ROSSO	Audio disattivato
VERDE lampeggiante	Batteria scarica

3. **Interruttore di accensione/Mute** – Tenere premuto per accendere o spegnere l'unità. Premere e rilasciare per disattivare o ripristinare l'audio del trasmettitore.

4. **Clip per cintura** – Usare questa clip per fissare il trasmettitore CB99 a una cintura o una tracolla da chitarra.

5. **Rilascio coperchio batteria** – Premere entrambi i lati e tirarlo verso di sé per aprire il coperchio batteria del CB99.

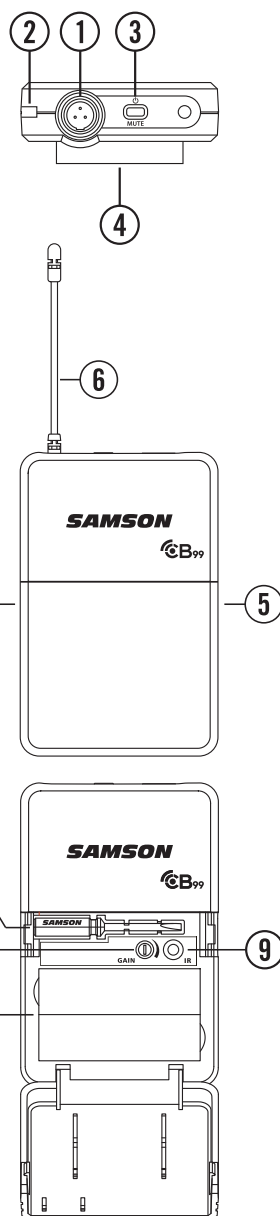
6. **Antenna** – Questa antenna fissa deve essere completamente estesa durante il funzionamento normale.

7. **Controllo GAIN in ingresso** – Questo controllo regola la sensibilità di ingresso del trasmettitore per interfacciarsi con l'ingresso di microfoni e strumenti. Per prestazioni ottimali, usare il cacciavite incluso per regolare il controllo di GUADAGNO sul livello in cui la spia di livello massimo del misuratore audio del CR99 inizia a illuminarsi sui livelli alti, quindi abbassarlo lentamente finché la luce dell'indicatore si spegne.

8. **Vano batterie** – Inserire due batterie AA (LR6) standard, prestando attenzione ai simboli di polarità +/- indicati. Anche se è possibile usare batterie Ni-Cd e NiMH ricaricabili, queste non forniscono una corrente adeguata per più di quattro ore. **AVVERTENZA:** non inserire le batterie al contrario per evitare gravi danni al CB99 e l'annullamento della garanzia.

9. **Lente IR** – Questa apertura serve a catturare il segnale a infrarossi inviato dal ricevitore CR99 durante la configurazione IR per canalizzare il trasmettitore.

10. **Cacciavite in plastica** – Concepito per la regolazione del controllo GAIN in ingresso (#7) del CB99.



Trasmettitore Handheld CH99 – Descrizione

1. Spia di stato – Questa spia indica la modalità di funzionamento:

VERDE	Funzionamento normale
ROSSO	Audio disattivato
VERDE lampeggiante	Batteria scarica

2. Interruttore di accensione/Mute – Tenere premuto per accendere o spegnere l'unità. Premere e rilasciare per disattivare o ripristinare l'audio del trasmettitore.

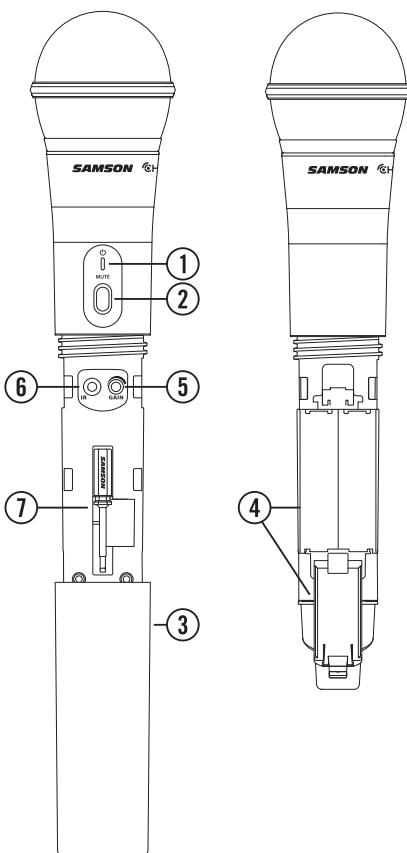
3. Coperchio batterie – Svitare il coperchio e farlo scorrere verso il basso per aprire il vano batterie del CH99.

4. Vano batterie – Aprire il vano batterie premendo la linguetta e sollevando il coperchio. Inserire due batterie AA (LR6) standard, prestando attenzione ai simboli di polarità +/- indicati. Anche se è possibile usare batterie Ni-Cd e NiMH ricaricabili, queste non forniscono una corrente adeguata per più di quattro ore. AVVERTENZA: non inserire le batterie al contrario per evitare gravi danni al CH99 e l'annullamento della garanzia.

5. Controllo GAIN in ingresso – Questo controllo regola la sensibilità di ingresso del trasmettitore. Per prestazioni ottimali, usare il cacciavite incluso per regolare il controllo di GUADAGNO sul livello in cui la spia di livello massimo del misuratore audio del CR99 inizia a illuminarsi sui livelli alti, quindi abbassarlo lentamente finché la luce dell'indicatore si spegne.

6. Lente IR – Questa apertura serve a catturare il segnale a infrarossi inviato dal CR99 durante la configurazione IR per canalizzare il trasmettitore. Per caricare il canale selezionato, il coperchio batterie deve essere aperto e la lente IR deve essere rivolta verso il ricevitore

7. Cacciavite in plastica – PConcepito per la regolazione del controllo GAIN in ingresso (#5) del CB99.



ENGLISH

FRANÇAIS

DEUTSCHE

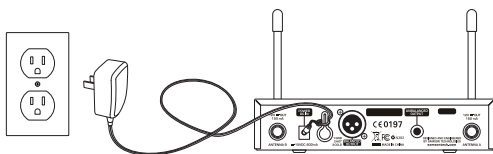
ESPAÑOL

ITALIANO

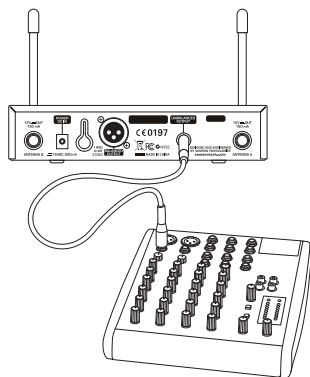
Guida rapida

Affinché il sistema wireless funzioni correttamente, il ricevitore e il trasmettitore devono essere impostati sullo stesso canale. Seguire la procedura di base descritta di seguito per configurare e usare il sistema wireless Concert 99.

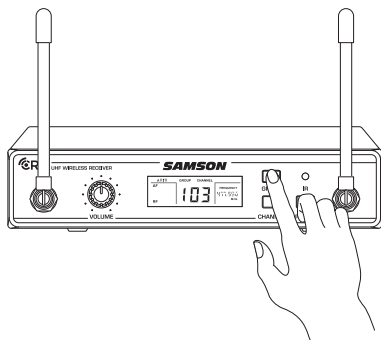
1. Installare il ricevitore CR99 dove sarà usato ed estendere le antenne verticalmente. Come regola generale, è necessario mantenere una "linea di vista" tra il ricevitore e il trasmettitore, in modo che la persona che usa o indossa il trasmettitore possa vedere il ricevitore.
2. Con il CR99 spento, collegare l'adattatore di alimentazione in dotazione. Accendere momentaneamente il CR99 per assicurarsi che l'unità sia alimentata. Quindi spegnere il CR99.



3. Con l'amplificatore o il mixer spento e il volume al minimo, collegare il jack di uscita del ricevitore CR99 all'ingresso mic o a livello di linea di un mixer o di un amplificatore servendosi dell'uscita XLR bilanciata o dell'uscita da 1/4" a livello di linea non bilanciata. Ruotare la manopola Level del CR99 interamente in senso antiorario, quindi accenderlo.

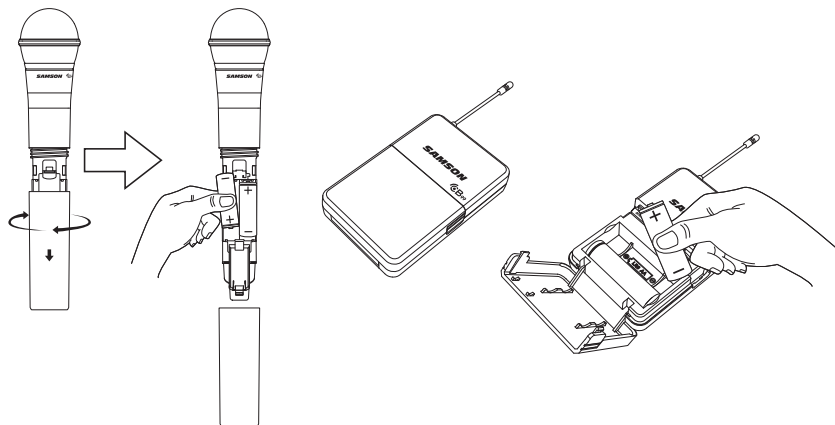


4. Tenere premuto il tasto GROUP sul pannello anteriore del ricevitore CR99 per effettuare la scansione alla ricerca di un canale disponibile nell'ambito del gruppo selezionato.

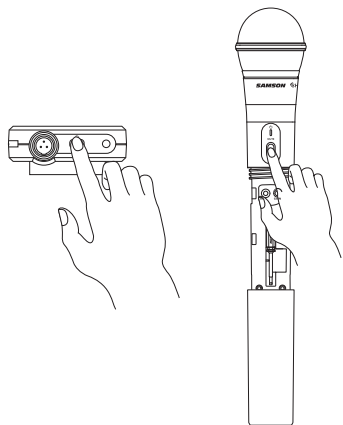


Guida rapida

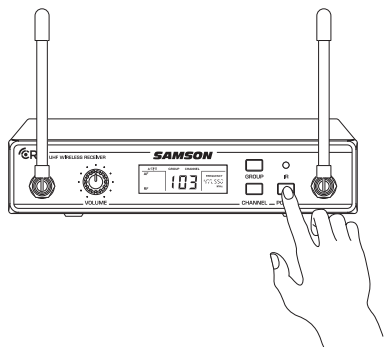
5. Con il trasmettitore spento, installare due batterie AA nuove nel trasmettitore belt pack CB99 o nel trasmettitore handheld CH99. Lasciare aperto il vano batteria.



6. Accendere il trasmettitore tenendo premuto il pulsante di accensione; la spia diventerà verde.

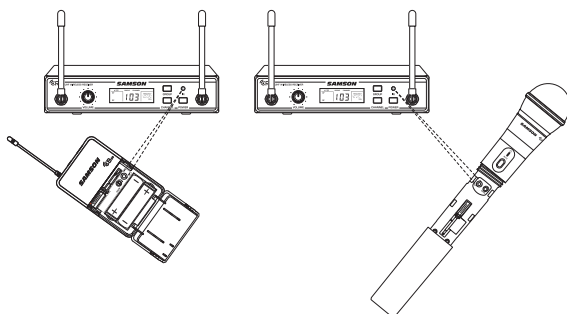


7. Tenere premuto il pulsante CHANNEL del CR99 per eseguire una configurazione IR, ovvero per impostare il trasmettitore sullo stesso canale del ricevitore tramite trasmissione a infrarossi.



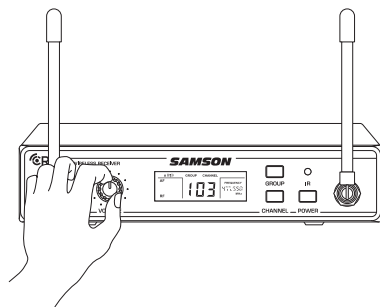
Guida rapida

8. Posizionare il trasmettitore a circa 15–30 cm (6–12") dalla parte anteriore del CR99 con l'apertura IR del trasmettitore rivolta verso il trasmettitore IR situato sul pannello anteriore del ricevitore CR99.



9. Quando la trasmissione è completa, il CR99 riceverà il segnale RF e il tone key dal trasmettitore. L'indicatore RF sul CR99 si accenderà, a indicare che sta ricevendo il segnale wireless dal trasmettitore.

10. Accendere l'amplificatore o il mixer collegati, ma abbassare completamente il volume. Ruotare la manopola del volume sul CR99 completamente in senso orario (su "10"). Questo è il guadagno unitario.



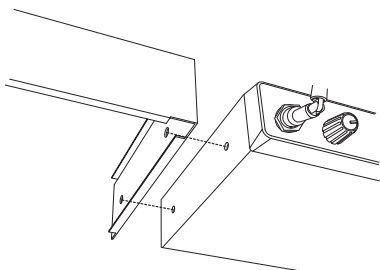
11. Parlare o cantare nel microfono o, se si utilizza il trasmettitore con uno strumento collegato, suonare lo strumento al volume normale. Alzare lentamente il volume dell'amplificatore o del mixer fino a raggiungere il livello desiderato.
12. Muoversi nell'area di esibizione per assicurarsi che la copertura sia costante ovunque. Se il sistema presenta cali significativi di qualità, una ridotta portata complessiva o rumori improvvisi, modificare il canale operativo del sistema usando la procedura descritta in precedenza.

Quando si utilizzano impianti multipli, ciascuno di essi deve essere configurato su un canale operativo diverso. Configurare tutti i trasmettitori e i ricevitori aggiuntivi nello stesso Gruppo per massimizzare il numero di canali compatibili. Al momento di configurare trasmettitori aggiuntivi, assicurarsi di chiudere tutti gli altri scomparti batteria del trasmettitore per garantire che la lente IR sia coperta. Effettuare una ricerca canali per ciascun trasmettitore per selezionare il canale ottimale.

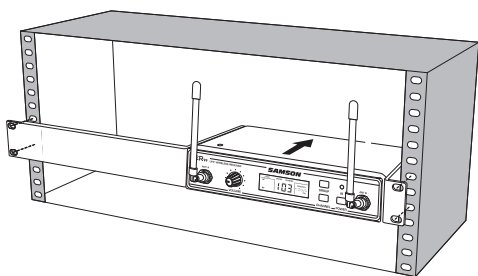
Montaggio su rack

Il ricevitore CR99 può essere installato su un rack standard da 19" per il trasporto o l'installazione permanente servendosi delle apposite alette in dotazione. Seguire i semplici passi qui di seguito per montare il CR99:

Fissare le alette per rack in dotazione avvitando ciascuna di esse a ciascun lato del CR99.

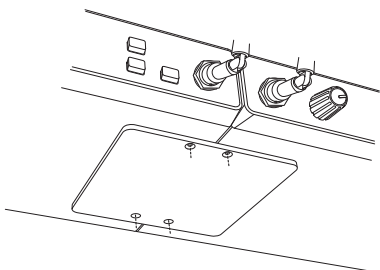


Posizionare il ricevitore CR99 in uno spazio disponibile sul rack e farlo scorrere fino a quando le alette per rack non entrano in contatto con le guide dell'alloggiamento del rack e non sono allineate con i fori della guida.

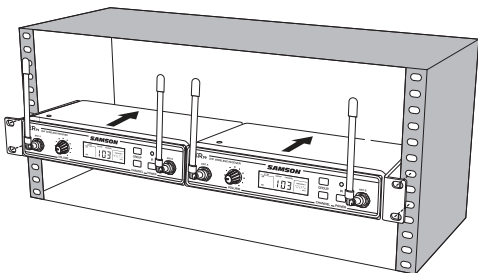


Montare il ricevitore nel rack servendosi di viti delle dimensioni adeguate (non in dotazione). Per garantire una pari tensione ed equilibrio al momento di installare il ricevitore, fissare le viti in uno schema a zig zag di angoli opposti: superiore sinistro -> inferiore destro -> superiore destro -> inferiore sinistro.

Per montare due ricevitori CR99 in uno spazio rack, il sistema include un pezzo centrale. Avvitare il pezzo centrale sulla parte inferiore di ciascun ricevitore e fissare le alette corte del rack a ciascun ricevitore.



Montare i ricevitori nel rack seguendo lo schema a zigzag descritto in alto.



Piani canale

Gruppo K 470-494MHz								
	Canale							
Gruppo	00	01	02	03	04	05	06	07
0	473,050	474,425	474,900	480,475	484,075	486,975	487,975	492,425
1	470,125	471,500	471,975	477,550	481,150	484,050	485,050	489,500
2	470,525	471,900	472,375	477,950	481,550	484,450	485,450	489,900
3	471,075	472,450	472,925	478,500	482,100	485,000	486,000	490,450
4	471,475	472,850	473,325	478,900	482,500	485,400	486,400	490,850
5	472,025	473,400	473,875	479,450	483,050	485,950	486,950	491,400
6	472,425	473,800	474,275	479,850	483,450	486,350	487,350	491,800
7	473,375	474,750	475,225	480,800	484,400	487,300	488,300	492,750
8	473,925	475,300	475,775	481,350	484,950	487,850	488,850	493,300
9	474,325	475,700	476,175	481,750	485,350	488,250	489,250	493,700

Gruppo D 542-566MHz								
	Canale							
Gruppo	00	01	02	03	04	05	06	07
0	545,050	546,425	546,900	552,475	556,075	558,975	559,975	564,425
1	542,125	543,500	543,975	549,550	553,150	556,050	557,050	561,500
2	542,525	543,900	544,375	549,950	553,550	556,450	557,450	561,900
3	543,075	544,450	544,925	550,500	554,100	557,000	558,000	562,450
4	543,475	544,850	545,325	550,900	554,500	557,400	558,400	562,850
5	544,025	545,400	545,875	551,450	555,050	557,950	558,950	563,400
6	544,425	545,800	546,275	551,850	555,450	558,350	559,350	563,800
7	545,375	546,750	547,225	552,800	556,400	559,300	560,300	564,750
8	545,925	547,300	547,775	553,350	556,950	559,850	560,850	565,300
9	546,325	547,700	548,175	553,750	557,350	560,250	561,250	565,700

Piani canale

Gruppo F* 606-630MHz								
Canale								
Gruppo	00	01	02	03	04	05	06	07
0	609,050	610,425	610,900	616,475	620,075	622,975	623,975	628,425
1	606,125	607,500	607,975	613,550	617,150	620,050	621,050	625,500
2	606,525	607,900	608,375	613,950	617,550	620,450	621,450	625,900
3	607,075	608,450	608,925	614,500	618,100	621,000	622,000	626,450
4	607,475	608,850	609,325	614,900	618,500	621,400	622,400	626,850
5	608,025	609,400	609,875	615,450	619,050	621,950	622,950	627,400
6	608,425	609,800	610,275	615,850	619,450	622,350	623,350	627,800
7	609,375	610,750	611,225	616,800	620,400	623,300	624,300	628,750
8	609,925	611,300	611,775	617,350	620,950	623,850	624,850	629,300
9	610,325	611,700	612,175	617,750	621,350	624,250	625,250	629,700

Gruppo L* 823-832MHz								
Canale								
Gruppo	00	01	02	03	04	05	06	07
0	823,125	824,125	825,325	826,725	827,925	828,325	829,700	830,800
1	823,225	824,225	825,425	826,825	828,025	828,425	829,800	830,900
2	823,325	824,325	825,525	826,925	828,125	828,525	829,900	831,000
3	823,425	824,425	825,625	827,025	828,225	828,625	830,000	831,100
4	823,525	824,525	825,725	827,125	828,325	828,725	830,100	831,200
5	823,625	824,625	825,825	827,225	828,425	828,825	830,200	831,300
6	823,725	824,725	825,925	827,325	828,525	828,925	830,300	831,400
7	823,825	824,825	826,025	827,425	828,625	829,025	830,400	831,500
8	823,925	824,925	826,125	827,525	828,725	829,125	830,500	831,600
9	824,025	825,025	826,225	827,625	828,825	829,225	830,600	831,700

* Non utilizzabile negli USA e in Canada. Per domande relative ai canali disponibili nella propria area, contattare il distributore Samson locale.

Risoluzione di problemi

Problema	Soluzioni
Audio assente	Assicurarsi che il trasmettitore e il ricevitore siano entrambi accesi.
	Assicurarsi che le batterie del trasmettitore siano installate correttamente.
	Assicurarsi che l'audio del trasmettitore non sia disattivato.
	Assicurarsi che l'adattatore del ricevitore CR99 sia collegato correttamente e inserito in una presa elettrica.
	Assicurarsi che i cavi di uscita audio siano collegati saldamente al ricevitore CR99.
	Assicurarsi che il ricevitore e il trasmettitore siano in linea di vista l'uno con l'altro.
	Verificare i controlli di livello del ricevitore e del dispositivo di ingresso audio.
	Assicurarsi che il trasmettitore e il ricevitore siano impostati sullo stesso canale. Se non si è sicuri, reimpostare il canale eseguendo una configurazione IR.
Audio distorto	Il livello di uscita audio del ricevitore o di ingresso audio del dispositivo è troppo alto.
	Assicurarsi che le batterie del trasmettitore non siano scariche; e sostituirle se necessario.
	Il guadagno in ingresso sul trasmettitore o il livello della sorgente audio è troppo alto.
Breve interruzione della trasmissione audio (dropout)	Il trasmettitore è troppo distante dal ricevitore. Avvicinarlo al ricevitore o riposizionare le antenne.
	Rimuovere eventuali sorgenti di interferenza RF, come telefoni cellulari, telefoni cordless, apparecchi di illuminazione, computer, strutture metalliche, ecc.
	Spostare il ricevitore sul ripiano superiore del rack dell'apparecchiatura o posizionarlo sopra l'apparecchiatura per garantire l'assenza di ostruzioni nella linea di vista dal trasmettitore.
Il ricevitore non si accende	Assicurarsi che l'adattatore sia correttamente collegato e inserito in una presa di corrente funzionante.
Il trasmettitore non si accende	Sostituire le batterie del trasmettitore.
Interferenze o rumori indesiderati	Se si usano sistemi multipli, assicurarsi che nessuno dei sistemi stia funzionando sul medesimo stesso canale. Se il problema persiste, cambiare uno o tutti i canali del sistema.
	Se si usano sistemi multipli, impostare tutti i ricevitori sullo stesso gruppo. Effettuare una ricerca canali all'interno del gruppo per selezionare i canali ottimali.

Specifiche tecniche

Sistema

Portata di funzionamento	100 m (300') linea di vista
Risposta in audiofrequenza	Da 50 Hz a 15 kHz
Distorsione armonica totale (complessiva)	<1% (@AF 1 kHz, RF 46 dBu)
Gamma dinamica	>103 dB pesata in classe A
Rapporto segnale/rumore	>90 dB
Temperatura di funzionamento	Da -10 °C (14 °F) a +60 °C (+140 °F)
Frequenza Tone Key	35.000 kHz

Trasmettitore Belt Pack CB99

Connettore di ingresso	Mini-XLR (P3)
Impedenza di ingresso	1 MΩ
Range di guadagno in ingresso	38 dB
Potenza in RF	10 mW EIRP
Requisiti di alimentazione	Due batterie alcaline AA (LR6)
Durata batteria	8 ore
Dimensioni (H x L x P)	96 mm x 62 mm x 18,5 mm 3.75" x 2.44" x 0.75"
Peso	93 g / 0.2 lb

Trasmettitore Handheld CH99

Elemento microfono	Dinamico
Range di guadagno in ingresso	28 dB
Potenza in RF	10 mW EIRP
Requisiti di alimentazione	Due batterie alcaline AA (LR6)
Durata batteria	8 ore
Dimensioni (Hx Ø)	260 mm x 54 mm 10.23" x 2.1"
Peso	218 g / 0.48 lb

Ricevitore CR99

Livello di uscita audio - Non bilanciato	+14 dBu
Livello di uscita audio - Bilanciato	+9 dBu
Impedenza di uscita audio - Non bilanciato	810 Ohm
Impedenza di uscita audio - Bilanciato	240 Ohm
Sensibilità	-100 dBm / 30 dB sinad
Reiezione di immagine	>50 dB
Tensione operativa	15 VCC 200mA
Dimensioni (LxPxH)	7,87" x 5,9" x 1,6" 200mm x 150mm x 42mm
Peso	0,946kg / 2.08lb

Poiché noi di Samson siamo impegnati nel miglioramento continuo dei nostri prodotti, le specifiche tecniche e le immagini possono variare senza preavviso.

Dichiarazione di conformità R&TTE

Ai sensi di EN ISO 17050:2005

L'azienda Samson Technologies Corporation, con sede in 45 Gilpin Ave, Hauppauge, NY 11788 USA, dichiara sotto la propria esclusiva responsabilità che i seguenti prodotti:

Nome del prodotto: Microfono wireless Concert 99

Marca: Samson

Tipo o modello: CR99 (Ricevitore), CH99 (Trasmettitore Handheld), CB99 (Trasmettitore Belt Pack)

sono conformi ai requisiti essenziali delle seguenti direttive CE se installati conformemente alle istruzioni di installazione riportate nella documentazione del prodotto:

2006/95/CE – Direttiva LVD

2004/108/CE – Direttiva EMC

1999/5/CE – Direttiva R&TTE

Il prodotto è conforme ai seguenti standard e/o documenti normativi:

EN60065:2014

Apparecchi elettronici audio, video e similari – Prescrizioni di sicurezza
Requisiti tecnici comuni.

EN301 489-1 V1.9.1

Condizioni specifiche per microfoni senza fili, apparecchiature di collegamento audio a radiofrequenza (RF), apparati audio senza fili e auricolari di monitoraggio.

EN301 489-9 V1.4.1

Caratteristiche tecniche e

EN300 422-1 V1.5.1

metodi.

EN300 422-2 V1.4.1

Norma armonizzata EN che soddisfa i requisiti essenziali dell'articolo 3, par. 2 della direttiva R&TTE

EN62479:2010

Norma armonizzata EN che soddisfa i requisiti essenziali dell'articolo 3, par. 1a della direttiva R&TTE

Anno della marcatura CE (Direttiva Bassa Tensione): 2015

Marchio di identificazione: **0197** (*Numero Organismo Notificato*)

Questo prodotto riporta inoltre il simbolo "apparecchio di classe II".

Firmato per conto del costruttore:

Rappresentante autorizzato:

Carica:

Data:



Douglas Bryant

Vice Presidente Engineering

12/5/2015

CE 0197

Con il presente documento, Samson Technologies Corp. dichiara che i prodotti CR99, CH99, CB99 sono conformi ai requisiti essenziali e altre disposizioni rilevanti della direttiva 1999/5/CE. La dichiarazione di conformità può essere consultata all'indirizzo

www.samsontech.com/samson/products/wireless-systems/concert-99/concert99hh/#downloads-and-manuals-tab

Samson Technologies Corp.
278B Duffy Ave
Hicksville, New York 11801
Phone: 1-800-3-SAMSON (1-800-372-6766)
Fax: 631-784-2201
www.samsontech.com