

LIMITED WARRANTY

Shure Incorporated ("Shure") hereby warrants to the original consumer purchaser only that, except as otherwise specified below, this product will be free in normal use of any defects in materials and workmanship for a period of two (2) years from the consumer's original date of purchase directly from Shure or from a Shure-authorized reseller.

Any rechargeable batteries contained in or packaged with this product are so warranted for a period of one (1) year from the consumer's original date of purchase. However, rechargeable batteries are consumable and their capacity will be reduced over time based on temperature, amount of time in storage, charging cycles, and other factors; hence reduction in battery capacity does not constitute a defect in material or workmanship.

At its sole option, Shure will repair or replace the defective product and promptly return it to you. In order for this warranty to be valid, the consumer must, at the time the product is returned, provide proof of purchase in the form of the original purchase receipt directly from Shure or from a Shure-authorized reseller. If Shure elects to replace the defective product, then Shure reserves the right to replace the defective product with another product of the same model or a model of at least comparable quality and features in Shure's sole determination.

If you believe this product is defective within the warranty period, carefully repack the unit, insure it and return it with proof of purchase, postage prepaid, to Shure Incorporated, Attention: Service Department, at the address below.

Outside of the United States, return the product to your dealer or Authorized Service Center. Addresses are listed on www.Shure.com or can be obtained by contacting Shure at the address listed below.

This warranty is not transferable. This warranty does not apply in cases of abuse or misuse of the product, use contrary to Shure's instruction, ordinary wear and tear, an act of God, negligent use, purchase from a party other than Shure or a Shure-authorized reseller, unauthorized repair, or modification of the product.

ALL IMPLIED WARRANTIES OF MERCHANTABILITY OR FITNESS FOR A PARTICULAR PURPOSE ARE HEREBY DISCLAIMED TO THE EXTENT PERMITTED UNDER APPLICABLE LAWS AND, TO THE EXTENT NOT PERMITTED, ARE HEREBY LIMITED TO THE DURATION AND TERMS

OF THIS WARRANTY. SHURE ALSO HEREBY DISCLAIMS ALL LIABILITY FOR INCIDENTAL, SPECIAL, OR CONSEQUENTIAL DAMAGES.

Some states do not allow limitations on how long an implied warranty lasts, or the exclusion or limitation of incidental or consequential damages, so the above limitation may not apply to you. This warranty gives you specific legal rights, and you may have other rights which vary from state to state.

This warranty does not restrict the rights of the consumer mandated under applicable laws.

THIS WARRANTY SUPERSEDES ALL OTHER WARRANTIES THAT ARE ASSOCIATED OR INCLUDED WITH THIS PRODUCT, EXCEPT THAT ANY SOFTWARE CONTAINED IN OR PACKAGED WITH THIS PRODUCT IS EXCLUDED FROM THIS WARRANTY AND INSTEAD SHALL BE COVERED BY THE WARRANTY, IF ANY, PROVIDED IN SHURE'S END USER LICENSE AGREEMENT ACCOMPANYING SUCH SOFTWARE.

Service Centers

United States, Canada, Latin America, Caribbean
 Shure Incorporated
 Attn: Service Department
 5800 W. Touhy Avenue
 Niles, IL 60714-4608 U.S.A.

Europe, Middle East, and Africa
 Shure Europe GmbH
 Attn: Service
 Jakob-Dieffenbacher-Str. 12,
 75031 Eppingen, Germany

Indonesia Service Center Resmi:
 Jakarta Hotline (021) 612 6388
 Medan (061) 6612550
 Surabaya (031) 5032219
 Jogjakarta (0274) 371710
 Denpasar (0361) 766788
 Makasar (0411) 324652

SAFETY PRECAUTIONS

The possible results of incorrect use are marked by one of the two symbols—"WARNING" and "CAUTION"—depending on the imminence of the danger and the severity of the damage.



WARNING: Ignoring these warnings may cause severe injury or death as a result of incorrect operation.



CAUTION: Ignoring these cautions may cause moderate injury or property damage as a result of incorrect operation.

CAUTION

- Never disassemble or modify the device, as failures may result.
- Do not subject to extreme force and do not pull on the cable or failures may result.
- Keep the product dry and avoid exposure to extreme temperatures and humidity.

WARNING

- If water or other foreign objects enter the inside of the device, fire or electric shock may result.

- Do not attempt to modify this product. Doing so could result in personal injury and/or product failure.

This device is able to produce sound volume higher than 85 dB SPL. Please check your maximum allowed continuous noise exposure level based on your national employment protection requirements.

WARNING

LISTENING TO AUDIO AT EXCESSIVE VOLUMES CAN CAUSE PERMANENT HEARING DAMAGE. USE AS LOW A VOLUME AS POSSIBLE.

Over exposure to excessive sound levels can damage your ears resulting in permanent noise-induced hearing loss (NIHL). Please use the following guidelines established by the Occupational Safety Health Administration (OSHA) on maximum time exposure to sound pressure levels before hearing damage occurs.

90 dB SPL at 8 hours	95 dB SPL at 4 hours	100 dB SPL at 2 hours	105 dB SPL at 1 hour
110 dB SPL at ½ hour	115 dB SPL at 15 minutes	120 dB SPL Avoid or damage may occur	

General Description

The BRH31M Broadcast Headset provides exceptional audio quality, comfort, and durability for broadcast and media production applications. A dynamic microphone delivers clear, natural vocal reproduction in an ultra-lightweight design. With user-replaceable parts and multiple connector options, the BRH31M is a versatile headset with a long product life.

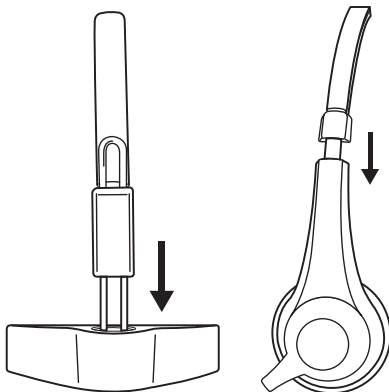
- Supra-aural design with ultra-lightweight construction
- Dynamic microphone with cardioid polar pattern and frequency response optimized for communication in loud environments
- Adjustable headband with cushioned temple pad for comfortable, ergonomic fit
- Flexible boom microphone with 270-degree pivot range for left- or right-side wear and precise positioning
- Single-side, Kevlar®-reinforced cable for increased durability

- Robust design created under rigorous Shure quality standards to withstand the demands of everyday professional use
- User-replaceable earcup pad and windscreen for a long product life

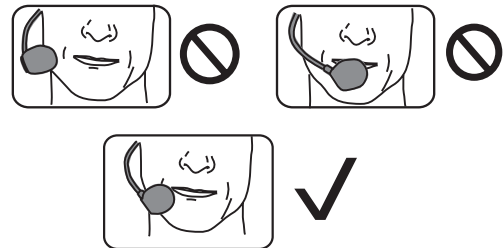
Model Variations

Model	Connector
BRH31M	Unterminated
BRH31M-NXLR4F	Neutrik™ XLR 4-Pin Female
BRH31M-NXLR4M	Neutrik™ XLR 4-Pin Male
BRH31M-NXLR5M	Neutrik™ XLR 5-Pin Male

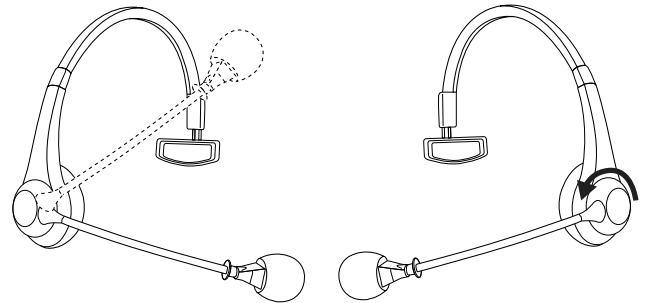
Wearing the Headset



Adjust the headband for a comfortable fit.



Position the boom so the microphone is within 13 mm (1/2 inch) of the corner of your mouth. To avoid "popping" or other breath noise, do not place directly in front of mouth.



The boom swivel allows the headset to be worn on either side of your face.

Specifications

Weight, without cable

Net	81 g (2.9 oz.)
Packaged	0.4 kg (0.9 lbs)

Weight, with connector

Net	125 g (4.4 oz.)
Packaged	0.45 kg (0.99 lbs)

Cable

BRH31M	1.8 m, non-PVC, unterminated
BRH31M-NXLR4F	1.75 m, non-PVC, terminated at a 4-pin female XLR
BRH31M-NXLR4M	1.75 m, non-PVC, terminated at a 4-pin male XLR
BRH31M-NXLR5M	1.75 m, non-PVC, terminated at a 5-pin male XLR

Environmental Conditions

Operating Temperature	18° to 60° C (0° to 140° F)
Storage Temperature	-29° to 74° C (-20° to 165° F)
Relative Humidity	0 to 95%

Microphone**Type**

Dynamic, Neodymium magnet, 12.5 mm

Polar Pattern

Cardioid

Frequency Response

50 to 15,000 Hz

Output Impedance

150 Ω

Sensitivity

at 1 kHz, open circuit voltage

-66.5 dBV/Pa* (0.47 mV)

0

Polarity

Positive pressure on diaphragm produces positive voltage on red wire with respect to black wire.

Headphone**Transducer Type**

Dynamic, Neodymium magnet

Driver Size

30 mm

Frequency Response

150 to 12,000 Hz

Sensitivity

@ 1 kHz

101 dB SPL/mW

Impedance

@ 1 kHz

220 Ω

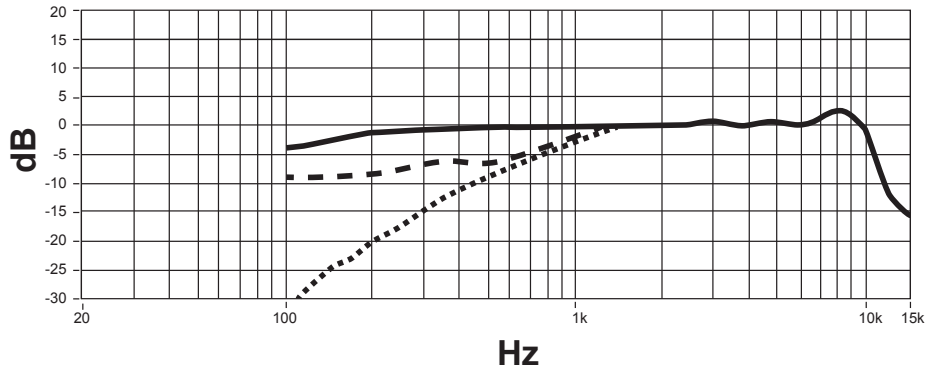
⁰ *1 Pa = 94 dB SPL

Maximum Input Power

200 mW

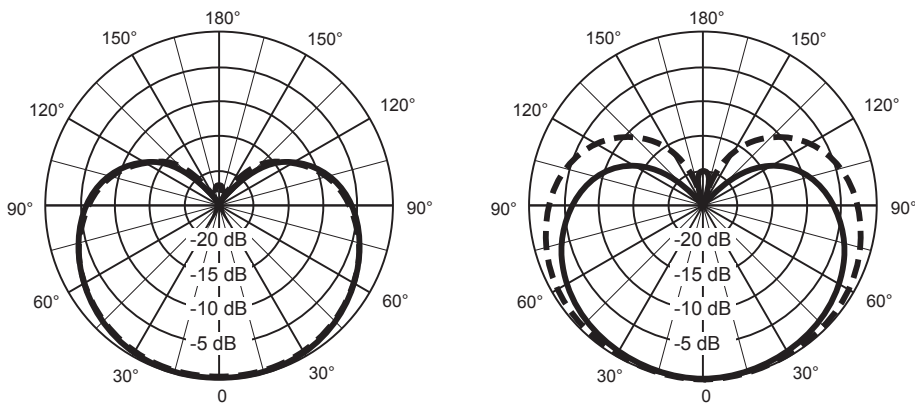
Cable Wiring

Signal	Wire
Microphone +	Red
Microphone -	Black
Microphone Ground	Shield (uncoated)
Audio	Green
Audio Ground	White



— 0.4" (1.01 cm) from sound source
 - - - 1.2" (3.05 cm) from sound source
 6' (1.83 m) from sound source

Frequency Response



- - - 500 Hz — 2000 Hz
 — 1000 Hz - - - 4000 Hz

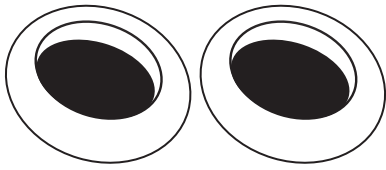
Polar Pattern

Care and Maintenance

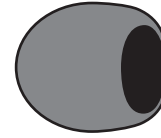
Clean using a soft, damp cloth.

CAUTION: Do not use cleansers that contain solvents. Keep liquid and foreign objects out of the driver openings.

Furnished Accessories



1 Pair of Replacement Earcup Pads
BCAEC31



Windscreen
BCAWS1

Certifications

This product meets the Essential Requirements of all relevant European directives and is eligible for CE marking.

The CE Declaration of Conformity can be obtained from:
www.shure.com/europe/compliance

Authorized European representative:
Shure Europe GmbH
Headquarters Europe, Middle East & Africa
Department: EMEA Approval
Jakob-Dieffenbacher-Str. 12
75031 Eppingen, Germany
Phone: 49-7262-92 49 0
Fax: 49-7262-92 49 11 4
Email: info@shure.de

Trademarks

Neutrik® is a registered trademark of Neutrik AG.