

iPGARD



Advanced 8/16-Port DVI-I Secure KVM Switch

USER MANUAL

SDVN-8S	8-Port Secure DVI-I KVM with Audio
SDVN-8D	8-Port Secure Dual-Head DVI-I KVM with Audio
SDVN-8S-P	8-Port Secure DVI-I KVM with Audio and CAC Support
SDVN-8D-P	8-Port Secure Dual-Head DVI-I KVM with Audio and CAC Support
SDVN-16S	16-Port Secure DVI-I KVM with Audio
SDVN-16S-P	16-Port Secure DVI-I KVM with Audio and CAC Support

TABLE OF CONTENTS

TECHNICAL SPECIFICATIONS _____	3
WHAT'S IN THE BOX? _____	4
SECURITY FEATURES _____	4
SDVN FRONT AND REAR _____	4
INSTALLATION _____	5-9
CAC INSTALLATION: COMMON ACCESS CARD, SMART CARD READER _____	10
CAC PORT CONFIGURATION _____	10
AUDITING: Dumping the Event Log via User Menu Options _____	11
RESET: Restore Factory Default _____	11
LED's BEHAVIOR _____	12
SYSTEM OPERATION _____	13
TROUBLESHOOTING _____	13
TECHNICAL SUPPORT _____	13
LIMITED WARRANTY STATEMENT _____	14

TECHNICAL SPECIFICATIONS

VIDEO	
Format	DVI-I Dual Link
Host Interface	SDVN-8S / SDVN-8S-P (8) DVI-I 29-pin (female)
	SDVN-8D / SDVN-8D-P / SDVN-16S / SDVN-16S-P (16) DVI-I 29-pin (female)
User Console Interface	SDVN-8S / SDVN-8S-P / SDVN-16S / SDVN-16S-P (1) DVI-I 29-pin (female)
	SDVN-8D / SDVN-8D-P (2) DVI-I 29-pin (female)
Max Resolution	2560 x 1600 @ 60Hz
DDC	5 volts p-p (TTL)
Input Equalization	Automatic
Input Cable Length	Up to 20 ft.
Output Cable Length	Up to 20 ft.
USB	
Signal Type	USB 1.1 and 1.0 Keyboard and Mouse only. USB 2.0 for CAC connection.
Type A to B	SDVN-8S / SDVN-8D / (8)
	SDVN-8S-P / SDVN-8D-P / SDVN-16S (16)
	SDVN-16S-P (32)
User Console Interface	(2) USB Type-A for keyboard and mouse connection only
	(1) USB Type-A for CAC connection (P models only)
AUDIO	
Input	(8) / (16) Connector Stereo 3.5mm Female
Output	(1) Connector Stereo 3.5mm Female
POWER	
Power Requirements	12V DC, 3A (minimum) power adapter with center-pin positive polarity
ENVIRONMENT	
Operating Temp	32° to 104° F (0° to 40° C)
Storage Temp	-4° to 140° F (-20° to 60° C)
Humidity	0-80% RH, non-condensing
CERTIFICATIONS	
Security Accreditation	Common Criteria Validated To Niap, Protection Profile PSS Ver. 3.0
OTHER	
Emulation	Keyboard, Mouse & Video
Control	Front Panel Buttons

WHAT'S IN THE BOX?

SDVN Unit	8/16-port Secure DVI-I KVM Switch
PS12VDC3A	12V DC 3A power adapter with center-pin positive polarity
User Manual	

SECURITY FEATURES

Anti-Tamper Switches

Each model is equipped with internal Anti-Tamper switches, which sense attempts to open the device enclosure. Once the system identifies such an attempt, **all the front panel LED's will flash rapidly** and the unit will become useless by shutting off connection with all attached PCs and peripherals disabling any functionality.

Tamper-Evident Seal

The enclosure of the unit is protected with a tamper-evident seal to provide a visual evidence if the unit has been opened.

Protected Firmware

The controller of the unit has a special protection feature that prevents reprogramming or reading the firmware.

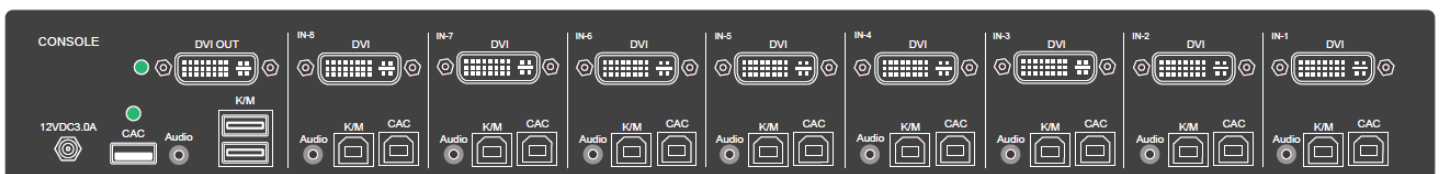
High Isolation on USB Channels

Opto-isolators are used in the unit to keep USB data paths electrically isolated from each other, providing high isolation and preventing data leakage between ports.

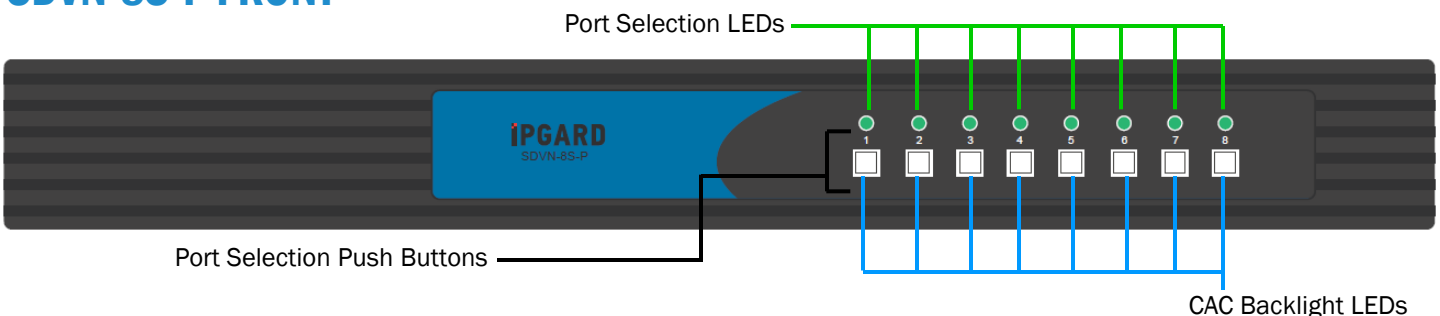
Secure EDID Emulation

The unit prevents unwanted and unsecure data to be transmitted through the DDC lines by means of secure EDID learning and emulation.

SDVN-8S-P REAR



SDVN-8S-P FRONT



INSTALLATION

SYSTEM REQUIREMENTS

1. IPGARD Secure PSS is compatible with standard personal/portable computers, servers or thin-clients, running operating systems such as Windows or Linux.
2. The peripheral devices that are supported by the KVM are listed in the following table:

Console Port	Authorized Devices
Keyboard	Wired keyboard and keypad without internal USB hub or composite device functions, unless the connected device has at least one endpoint which is a keyboard or mouse HID class, KVM/KM extender;
Audio out	Analog amplified speakers, Analog headphones, Digital audio appliance.
Mouse / Pointing Device	Any wired mouse or trackball without internal USB hub or composite device functions, Touch-screen, Multi-touch or digitizer, KVM/KM extender.
User Authentication Device	Smart-card reader, PIV/CAC reader, Token or Biometric reader*

*TOE -P models only

Table 5-1

INSTALLATION (Continued)

Single-Head Units:

1. Ensure that power is turned off or disconnected from the unit and the computers.
2. Use a DVI cable to connect the DVI output port from each computer to the corresponding DVI-I IN ports of the unit.
3. Use a USB cable (Type-A to Type-B) to connect a USB port on each computer to the respective USB ports of the unit.
4. Optionally connect a stereo audio cable (3.5mm to 3.5mm) to connect the audio output of the computers to the AUDIO IN ports of the unit.
5. Connect a monitor to the DVI-I OUT console port of the unit using a DVI cable.
6. Connect a USB keyboard and mouse in the two USB console ports.
7. Optionally connect stereo speakers to the AUDIO OUT port of the unit.
8. Optionally connect CAC (COMMON ACCESS CARD, SMART CARD READER) to the CAC port in the user console interface. For -P Models.
9. Finally, power on the KVM by connecting a 12VDC power supply to the power connector, and then turn on all the computers.

Note: The computer connected to port 1 will always be selected by default after power up.

Note: You can connect up to 8 computers to the 8 port KVM and up to 16 computers to the 16 port KVM.

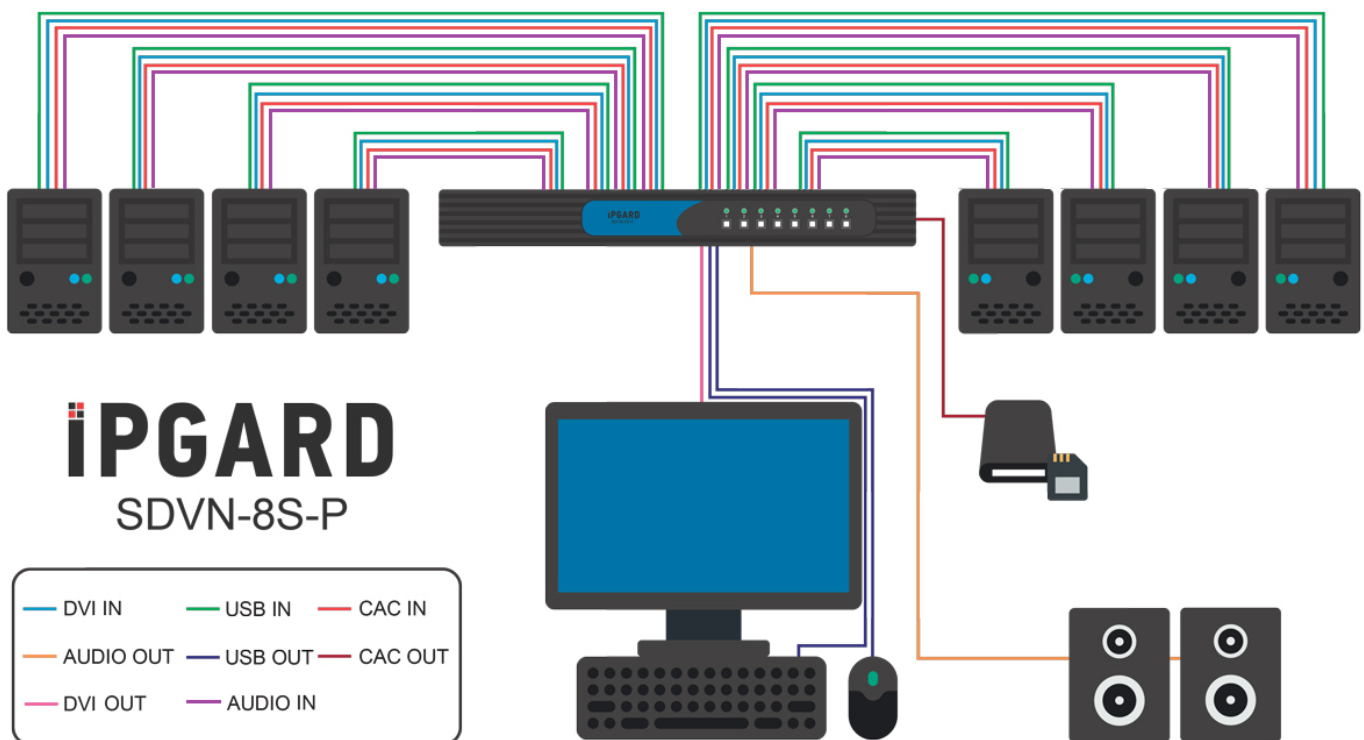


Figure 6-1

IMPORTANT WARNINGS - For security reasons:

- This product does not support wireless devices. Do not attempt to use a wireless keyboard or a wireless mouse with this product.
- This product does not support keyboards with integrated USB hubs or USB ports. Only use standard (HID) USB keyboards with this device.
- This product does not support microphone audio input or line input. Do not connect any microphones or headsets with microphones to this device.
- Connection of authentication devices (CAC) with external power sources is prohibited.

INSTALLATION (Continued)

Dual-Head Units:

1. Ensure that power is turned off or disconnected from the unit and the computers.
2. Use DVI cables to connect the DVI output ports of each computer to the corresponding DVI-I IN ports of the unit. For example, if using SDVN-8D-P the 2 DVI ports of one computer must all be connected to one channel.

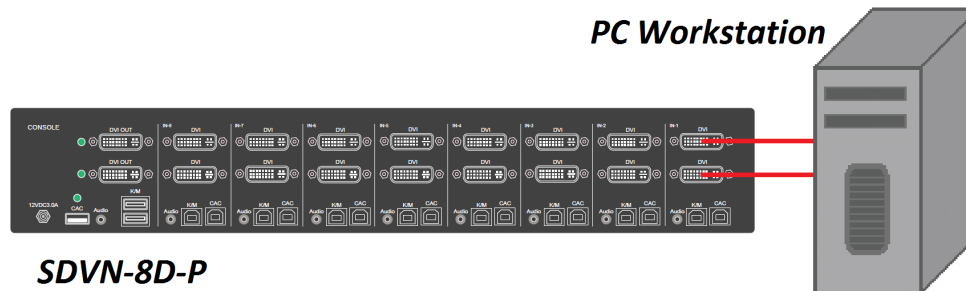


Figure 7-1

The DVI-I IN connectors that belong to the same channel are arranged vertically.

3. Use a USB cable (Type-A to Type-B) to connect a USB port on each computer to the respective USB ports of the unit.
4. Optionally connect a stereo audio cable (3.5mm on both ends) to connect the audio output of the computer to the AUDIO IN ports of the unit.
5. Connect the monitors to the DVI-I OUT console ports of the unit using DVI cables.

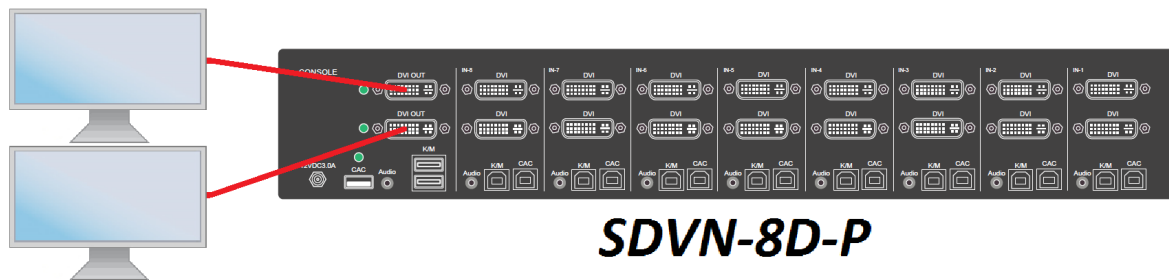


Figure 7-2

The DVI-I IN ports on one row will be switched to the DVI-I OUT of the same row.

6. Connect a USB keyboard and mouse in the two USB console ports.
7. Optionally connect stereo speakers to the AUDIO OUT port of the unit.
8. Optionally connect CAC (smart card reader) to the CAC port in the user console interface.
9. Power on the KVM by connecting a 12VDC power supply to the power connector, and then turn on all the computers.

Note: The computer connected to port 1 will always be selected by default after power up.

Note: VGA-to-DVI adapter must be used if video input sources are analog. Also, if the monitors connected to the outputs are dual-link DVI monitors, then DVI-I cables must be used from each computer.

INSTALLATION (Continued)

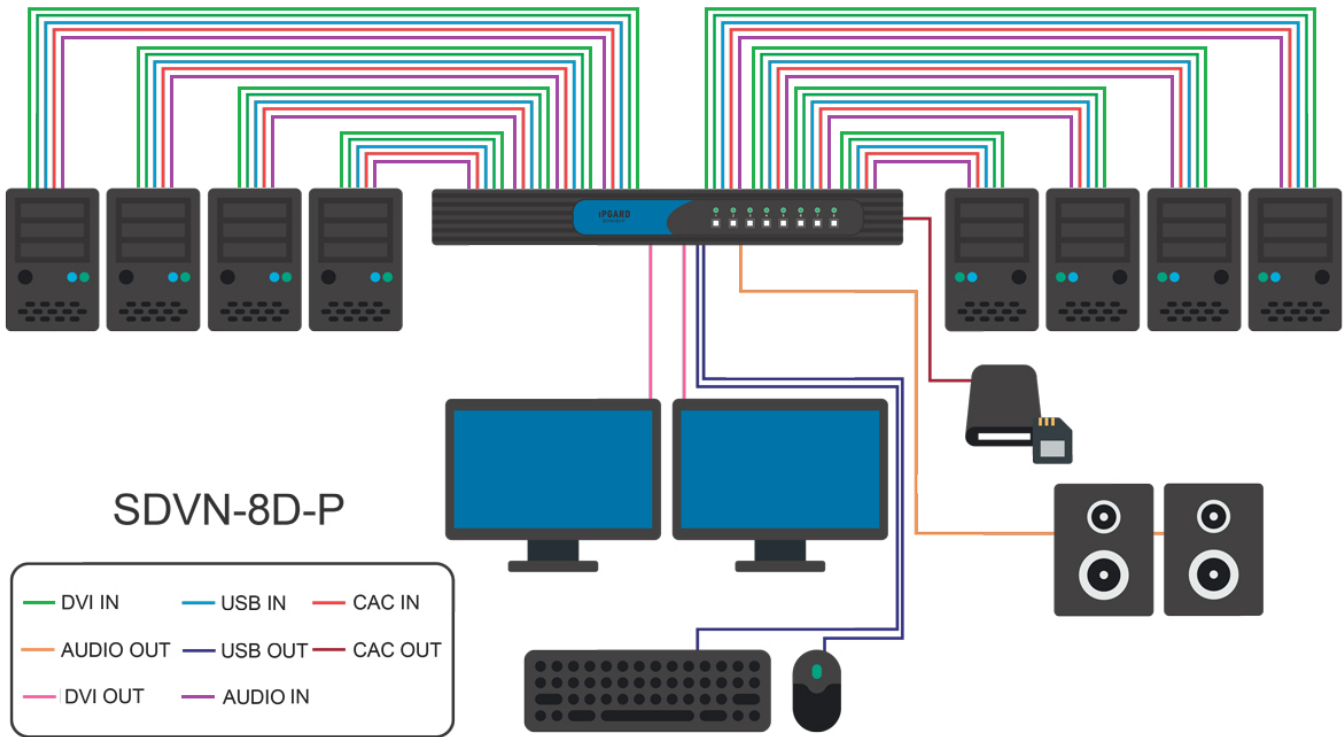


Figure 8-1
SDVN-8D-P Shown

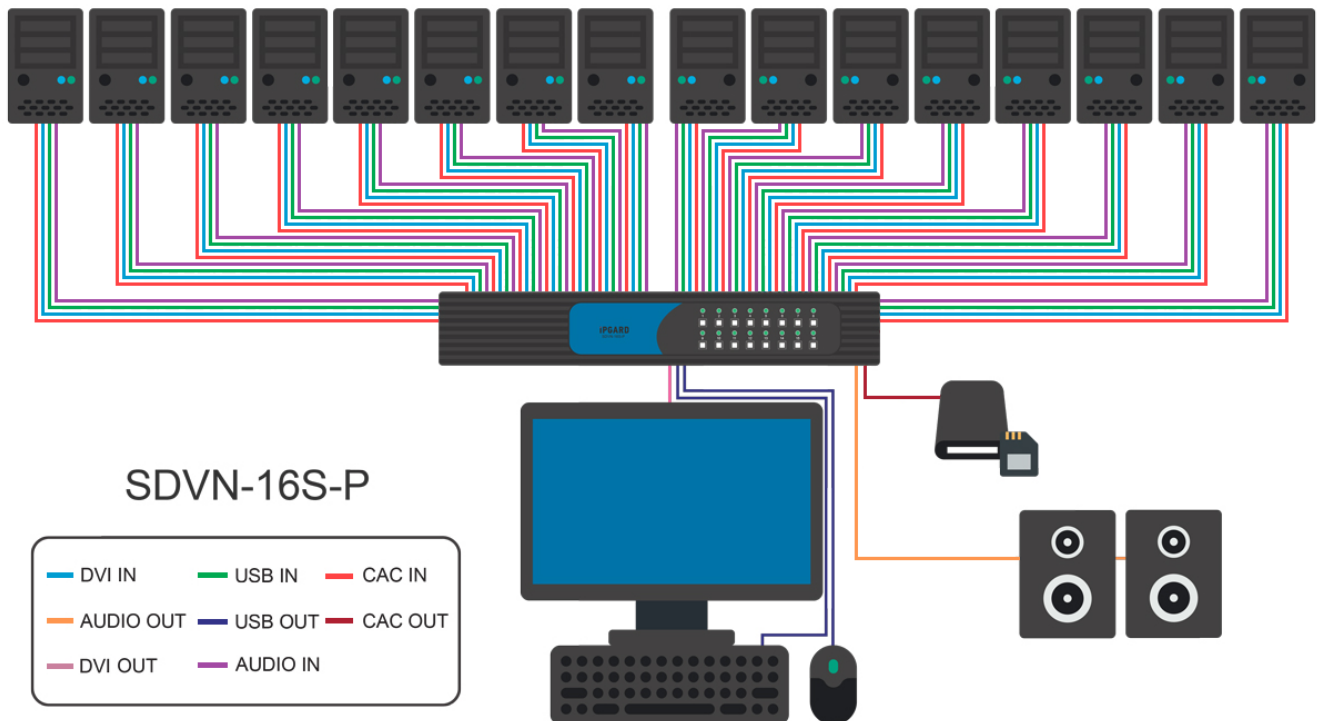


Figure 8-2
SDVN-16S-P Shown

INSTALLATION (Continued)

EDID Learn:

The KVM is designed to learn the connected monitor's EDID upon power up. In the event of connecting a new monitor to the KVM, a power recycle is required.

The KVM will indicate to the user the EDID learn process by flashing the front panel's LEDs. Port one green and push button blue LEDs will both begin to flash for about 10 seconds. When the LEDs stop flashing, the EDID learn process is done.

If the KVM has more than one video board (such as dual-head and quad-head models), then the unit will continue to learn the EDIDs of the connected monitors and indicate the progress of the process by flashing the next port selection green and push button blue LEDs respectively.

The monitor must be connected to the video output connector located in the console space at the back of the KVM during the EDID learn process.

If the read EDID from the connected monitor is identical to the current stored EDID in the KVM then the EDID learn function will be skipped.

CAC (COMMON ACCESS CARD, SMART CARD READER) INSTALLATION

The following steps are intended for the system administrator or IT manager only.

If you have the optional CAC ports there will be 2 ports on a 2 host ports KVM and 4 ports on a 4 host ports KVM.

CAC connection to the computer requires a USB cable connection separate from the keyboard and mouse. This allows the CAC to be connected and controlled independently from the keyboard and mouse. It also allows the user to select whether CAC for a certain computer is supported or not.

1. Ensure that power is turned off or disconnected from the unit and the computer.
2. Use a USB cable (Type-A to Type-B) to connect a USB port on a computer to its respective CAC USB ports on the KVM. Do not connect the USB cable if CAC functionality is not needed for that computer.
3. Connect a CAC (smart card reader) to the CAC port in the user console interface.
4. Power on the KVM by connecting a 12VDC power supply to the power connector, and then turn on all the computers.
5. To disable CAC for any channel (all CAC ports are enabled as default), use the front panel buttons to switch the KVM to the channel whose CAC mode you wish to change. Once the channel is selected, the button LED for this specific channel should be on (CAC port enabled). Press and hold the button for 3 seconds until the button LED turns off. The CAC port is now disabled for this channel.
6. To enable CAC for any channel, use the front panel buttons to switch the KVM to the channel whose CAC mode you wish to change. Once the channel is selected, the button LED for this specific channel should be off (CAC port disabled). Press and hold the button for 3 seconds until the button LED turns on. The CAC port is now enabled for this channel.

CAC PORT CONFIGURATION

The following steps are intended for the system administrator and operators (users).

Note: Only one computer connected to port 1 is required for this operation

CAC port Configuration is an optional feature, allowing registration of any USB peripheral to operate with the KVM. Only one peripheral can be registered and only the registered peripheral will operate with the KVM. By default, when no peripheral is registered, the KVM will operate with any Smart Card Reader.

Configure the CAC Port via User Menu Options

1. Open the Administration and Security Management Program.
2. Using the keyboard, press the Alt key twice and type “cnfg”.
3. At this stage the mouse connected to the KVM/KM will stop functioning.
4. Enter the default username “user” and press Enter.
5. Enter the default password “12345” and press Enter.
6. Select option 2 from the menu on your screen and press Enter.
7. Connect the peripheral device to be registered to the CAC USB port in the console side of the KVM/KM and wait until the KVM /KM is reading the new peripheral information.
8. The KVM/KM will list the information of the connected peripheral on the screen and buzz 3 times when registration is completed.

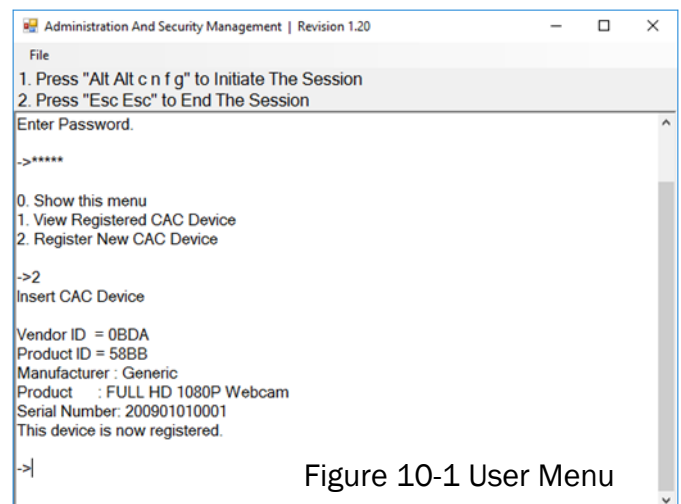


Figure 10-1 User Menu

AUDITING: Dumping the Event Log via User Menu Options

The following steps are intended for the system administrator.

Note: Only one computer connected to port 1 is required for this operation

The Event Log is a detailed report of critical activities stored in the KVM or KVM memory. A comprehensive feature list and guidance for Administration and Security Management Tools can be found in the Administrator's Guide available for download from: <http://ipgard.com/documentation/>

To view or dump the Event Log:

1. Open the Administration and Security Management Program
2. Using the keyboard, press the Alt key twice and type "cnfg".
3. Enter the default admin name "admin" and press Enter.
4. Enter the default password "12345" and press Enter.
5. Request a Log Dump by selecting option 5 in the menu. (Shown in Figure 11-1)

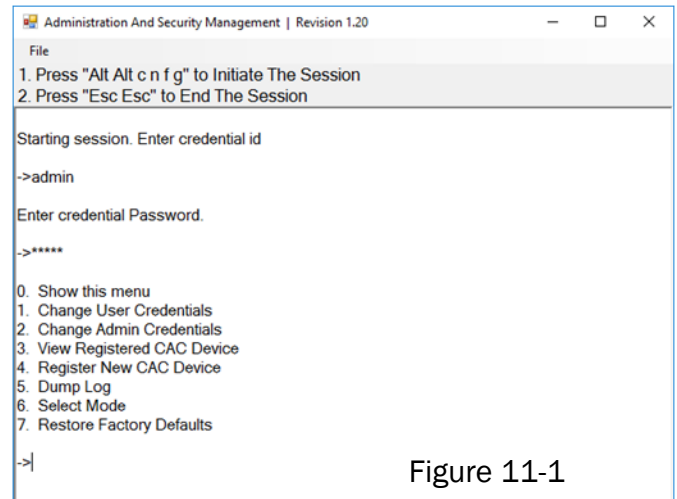


Figure 11-1

* See Administration and Security Management Tool Guidance for detailed information.

RESET: Restore Factory Defaults

The following steps are intended for the system administrator.

Note: Only one computer connected to port 1 is required for this operation

Restore Factory Defaults will reset all settings on the KVM to their original state

- KVM mode
- CAC port registration will be removed
- KVM settings will be reset to factory defaults

To Restore Factory Defaults via User Menu Options:

1. Open the Administration and Security Management Program
2. Using the keyboard, press the Alt key twice and type "cnfg".
3. Enter the default admin name "admin" and press Enter.
4. Enter the default password "12345" and press Enter.
5. Select option 7 from the menu on your screen and press enter. (Menu shown in Figure 11-1)

* See Administration and Security Management Tool Guidance for detailed information.

LED's BEHAVIOR

User Console Interface – Display LED:

#	Status	Description
1	Off	Monitor is not connected
2	On	Monitor is connected
3	Flashing	EDID problem – Learn EDID to fix the problem

User Console Interface – CAC LED:

#	Status	Description
1	Off	CAC is not connected
2	On	Authorized and functional CAC is connected
3	Flashing	Non-CAC peripheral is connected

Front Panel – Port Selection LED's:

#	Status	Description
1	Off	Non-selected port
2	On	Selected port
3	Flashing	EDID learn in process

Front Panel – CAC Selection LED's:

#	Status	Description
1	Off	CAC port is disabled or non-selected port
2	On	CAC port is enabled
3	Flashing	EDID learn in process

Front Panel - Port and CAC Selection LED's:

#	Status	Description
1	All Flashing	Connected peripheral to keyboard or mouse console ports is rejected

EDID Learn - Front Panel LED's:

All LED's are turned on for 1 second. Then:

- Port 1 LED's will flash until the end of the process.
- Port 2 LED's will flash until the end of the process if a second video board exists (Dual-head KVM).

IMPORTANT!

If all the Front Panel LED's are flashing and the buzzer is beeping, the KVM has been **TAMPERED** with and all functions are permanently disabled. Please contact IPGARD technical support at support@IPGARD.com.

If all Front Panel LED's are on and not flashing, the POWER UP SELF TEST has failed and all functions are disabled. Check if any of the front panel port selection buttons are jammed. In this case, release the jammed button and recycle the power. If power up self test is still failing, please contact IPGARD technical support at support@IPGARD.com.

SYSTEM OPERATION

Front Panel Control

To switch to an input port, simply push the desired input button on the front-panel of the KVM. If an input port is selected, the LED of that port will turn on.

TROUBLESHOOTING

No Power

- Make sure that the power adapter is securely connected to the power connector of the unit.
- Check the output voltage of the power supply and make sure that the voltage value is around 12VDC.
- Replace the power supply.

No Video

- Check if all the video cables are connected properly.
- Connect the computer directly to the monitor to verify that your monitor and computer are functioning properly.
- Restart the computers

Keyboard is not working

- Check if the keyboard is properly connected to the unit.
- Check if the USB cables connecting the unit and the computers are properly connected.
- Try connecting the USB on the computer to a different port.
- Make sure that the keyboard works when directly connected to the computer.
- Replace the keyboard.

Note: The NUM, CAPS, and SCROLL Lock LED indicators on the keyboard are not supposed to light up if connected to the KVM.

Mouse is not working

- Check if the mouse is properly connected to the unit.
- Try connecting the USB on the computer to a different port.
- Make sure that the mouse works when directly connected to the computer.
- Replace the mouse.

No Audio

- Check if all the audio cables are connected properly.
- Connect the speakers directly to the computer to verify that the speakers and the computer audio are functioning properly.
- Check the audio settings of the computer and verify that the audio output is through the speakers.

No CAC (COMMON ACCESS CARD, SMART CARD READER)

- Check if the USB cables connecting the unit and the computers are properly connected.
- Make sure the CAC port is enabled.

TECHNICAL SUPPORT

For product inquiries, warranty questions, or technical questions, please contact info@iPGARD.com.

LIMITED WARRANTY STATEMENT

A. Extent of limited warranty

IPGARD, Inc. warrants to the end-user customers that the IPGARD product specified above will be free from defects in materials and workmanship for the duration of 1 year, which duration begins on the date of purchase by the customer. Customer is responsible for maintaining proof of date of purchase.

IPGARD limited warranty covers only those defects which arise as a result of normal use of the product, and do not apply to any:

- a. Improper or inadequate maintenance or modifications
- b. Operations outside product specifications
- c. Mechanical abuse and exposure to severe conditions

If IPGARD receives, during applicable warranty period, a notice of defect, IPGARD will at its discretion replace or repair defective product. If IPGARD is unable to replace or repair defective product covered by the IPGARD warranty within reasonable period of time, IPGARD shall refund the cost of the product.

IPGARD shall have no obligation to repair, replace or refund unit until customer returns defective product to IPGARD.

Any replacement product could be new or like new, provided that it has functionality at least equal to that of the product being replaced.

IPGARD limited warranty is valid in any country where the covered product is distributed by IPGARD.

B. Limitations of warranty

To the extent allowed by local law, neither IPGARD nor its third party suppliers make any other warranty or condition of any kind whether expressed or implied with respect to the IPGARD product, and specifically disclaim implied warranties or conditions of merchantability, satisfactory quality, and fitness for a particular purpose.

C. Limitations of liability

To the extent allowed by local law the remedies provided in this warranty statement are the customers sole and exclusive remedies.

To the extent allowed by local law, except for the obligations specifically set forth in this warranty statement, in no event will IPGARD or its third party suppliers be liable for direct, indirect, special, incidental, or consequential damages whether based on contract, tort or any other legal theory and whether advised of the possibility of such damages.

D. Local law

To the extent that this warranty statement is inconsistent with local law, this warranty statement shall be considered modified to be consistent with such law.

iPGARD

NOTICE

The information contained in this document is subject to change without notice. iPGARD makes no warranty of any kind with regard to this material, including but not limited to, implied warranties of merchantability and fitness for particular purpose. iPGARD will not be liable for errors contained herein or for incidental or consequential damages in connection with the furnishing, performance or use of this material. No part of this document may be photocopied, reproduced, or translated into another language without prior written consent from iPGARD, Inc.

20180109



Toll Free: (888) 994-7427

Phone: (702) 990-0523

Fax: (702) 441-5590

3455 W. Craig Road, Suite C
North Las Vegas, NV 89032

iPGARD.COM