

20-Slot 2U Rack Mount Media Converter Chassis for ET Series 2 Media Converters

ETCHS2U



*actual product may vary from photos

DE: Bedienungsanleitung - de.startech.com

FR: Guide de l'utilisateur - fr.startech.com

ES: Guía del usuario - es.startech.com

IT: Guida per l'uso - it.startech.com

NL: Gebruiksaanwijzing - nl.startech.com

PT: Guia do usuário - pt.startech.com

For the most up-to-date information, please visit: www.startech.com

FCC Compliance Statement

This equipment has been tested and found to comply with the limits for a Class B digital device, pursuant to part 15 of the FCC Rules. These limits are designed to provide reasonable protection against harmful interference in a residential installation. This equipment generates, uses and can radiate radio frequency energy and, if not installed and used in accordance with the instructions, may cause harmful interference to radio communications. However, there is no guarantee that interference will not occur in a particular installation. If this equipment does cause harmful interference to radio or television reception, which can be determined by turning the equipment off and on, the user is encouraged to try to correct the interference by one or more of the following measures:

- Reorient or relocate the receiving antenna.
- Increase the separation between the equipment and receiver.
- Connect the equipment into an outlet on a circuit different from that to which the receiver is connected.
- Consult the dealer or an experienced radio/TV technician for help.

Use of Trademarks, Registered Trademarks, and other Protected Names and Symbols

This manual may make reference to trademarks, registered trademarks, and other protected names and/or symbols of third-party companies not related in any way to StarTech.com. Where they occur these references are for illustrative purposes only and do not represent an endorsement of a product or service by StarTech.com, or an endorsement of the product(s) to which this manual applies by the third-party company in question. Regardless of any direct acknowledgement elsewhere in the body of this document, StarTech.com hereby acknowledges that all trademarks, registered trademarks, service marks, and other protected names and/or symbols contained in this manual and related documents are the property of their respective holders.

Table of Contents

Introduction	1
Packaging Contents	1
System Requirements.....	1
Tools Required.....	1
Installation	2
Media Converter Card Installation	2
Fan Unit Removal/Replacement.....	3
Power Module Addition/Removal.....	4
Specifications	5
Technical Support	6
Warranty Information	6

Introduction

The ETCHS2U 20-Slot 2U Rack Mount Media Converter Chassis for ET Series 2 Media Converters lets you add an un-managed, 20-slot media converter chassis to your rack or cabinet to provide central power and cooling.

The media converter rack includes a single 200W power supply to centrally power all 20 slots, with an additional slot to add a redundant power supply (ETCHS2UPSU) for maximum up-time. It also includes two cooling fans (one per side) to help extend the life of your media converters.

A perfect accessory to the StarTech.com ET series 2 converters, the 2U chassis is designed so that all critical components (Power, Fans and Media Converter Cards) are hot swappable to avoid network disruption.

Packaging Contents

- 1 x 2U Media Converter Chassis
- 3 x Power Cords (NA/EU/UK)
- 1 x User Manual

System Requirements

- Standard 19in wide rack
- 2U of rack space
- 4 x Each, rack screws and cage nuts for mounting (sold separately)
- Available AC outlet

Tools Required

- Phillips screwdriver

Installation

1. Locate a suitable location in the rack/cabinet within reach of an easily accessible grounded AC outlet (100~240 VAC) to mount the chassis. The chassis itself requires 2U of space within the rack.

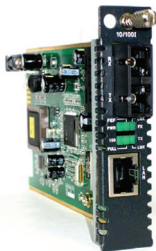
NOTE: Allow at least 10cm (4in) clearance at the front of the ETCHS2U for the fiber and other copper cables

2. If the rack uses square mounting holes, install cage nuts (sold separately) into the square mounting holes on the front posts of the rack.
3. Place the chassis into the rack and align the mounting points on the front brackets of the chassis with the mounting points on the rack (e.g. the cage nuts, if used).
4. Use the appropriate cabinet screws (sold separately) to secure the chassis to the rack.
5. Make sure the screws are properly tightened and the chassis has no movement before attempting to place any media converter cards into the chassis.
6. Connect the appropriate power cord for your region to the grounded AC outlet.

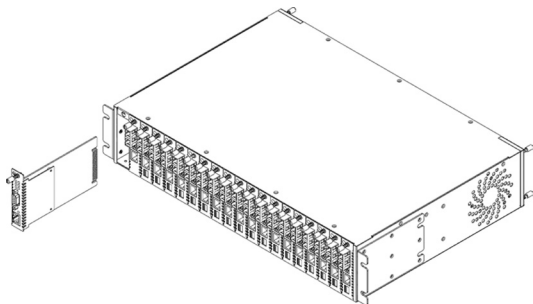
Media Converter Card Installation

The ETCHS2U chassis supports the full line of StarTech.com ET series 2 media converters, which can be installed in a mixed fashion to suit your environment. The cards are designed to be hot-swappable, meaning the chassis need not be powered off in order to remove or insert a card.

1. If the chassis slot was previously unused, loosen the screw at the top of the slot to remove the cover plate
2. Loosen the captive screw located at the top of the ET series 2 media converter to remove it from its casing



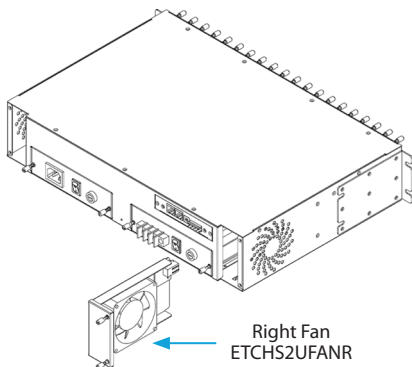
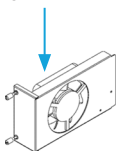
3. Align the card with the desired slot of the chassis and gently slide the card into the groove to seat the power connection
4. Re-tighten the captive screw to hold the card in place



Fan Unit Removal/Replacement

The left and right-side fan units (ETCHS2UFANL, ETCHS2UFANR) in the chassis are hot-swappable and can be replaced quickly and easily in the event of a failure. Simply loosen the two thumbscrews from the top and bottom of the fan module and gently slide out.

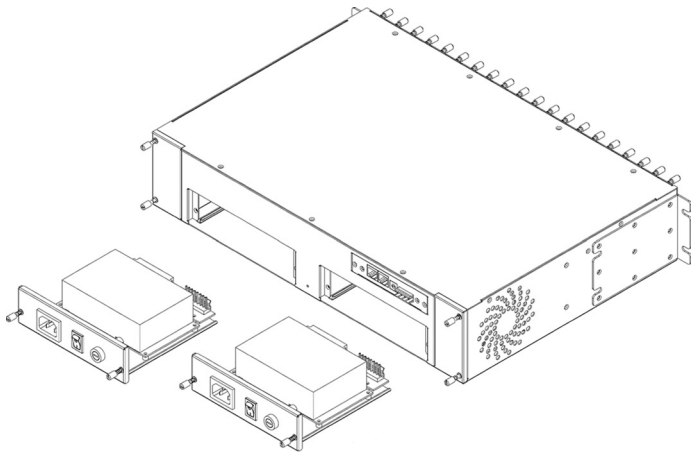
Left Fan
ETCHS2UFANL



Right Fan
ETCHS2UFANR

Power Module Addition/Removal

The AC Power Supply Module in the ETCHS2U supports input voltages of 100 to 240 ($\pm 10\%$ @ ambient temperature) volts at frequencies of 47 to 63 Hertz. Only one power supply module is required to power a completely full rack; however an additional ETCHS2PSU unit can be added for redundancy. When two Power Supply Modules are installed, the supplies are hot swappable, meaning any one supply may be removed and replaced without impacting the operation of the chassis. Simply disconnect power from the unit to be removed, and loosen the thumbscrews from each side of the module to gently slide out.



Specifications

Description	20-Slot 2U Rack Mount Media Converter Chassis for ET Series 2 Media Converters
Material	SPCC (1.0 mm thick)
Color	Black
Mounting Height	2U
Fans Included	2 x 80mm
Fan Bearing Type	Ball Bearing
Air Flow Rate	59.37 CFM
Output Power	200W
Power Factor Correction	Active
Efficiency Rating	90% (Typical Load)
Power Consumption	60W (fully loaded, with mixed card types)
MTBF	65,000 Hours (25°C)
External Dimensions (LxWxH)	303 x 438 x 88mm
Net Weight	5000g
Certifications	UL, CE, FCC, RoHS

Technical Support

StarTech.com's lifetime technical support is an integral part of our commitment to provide industry-leading solutions. If you ever need help with your product, visit www.startech.com/support and access our comprehensive selection of online tools, documentation, and downloads.

For the latest drivers/software, please visit www.startech.com/downloads

Warranty Information

This product is backed by a two year warranty.

In addition, StarTech.com warrants its products against defects in materials and workmanship for the periods noted, following the initial date of purchase. During this period, the products may be returned for repair, or replacement with equivalent products at our discretion. The warranty covers parts and labor costs only. StarTech.com does not warrant its products from defects or damages arising from misuse, abuse, alteration, or normal wear and tear.

Limitation of Liability

In no event shall the liability of StarTech.com Ltd. and StarTech.com USA LLP (or their officers, directors, employees or agents) for any damages (whether direct or indirect, special, punitive, incidental, consequential, or otherwise), loss of profits, loss of business, or any pecuniary loss, arising out of or related to the use of the product exceed the actual price paid for the product. Some states do not allow the exclusion or limitation of incidental or consequential damages. If such laws apply, the limitations or exclusions contained in this statement may not apply to you.

Hard-to-find made easy. At StarTech.com, that isn't a slogan. It's a promise.

StarTech.com is your one-stop source for every connectivity part you need. From the latest technology to legacy products — and all the parts that bridge the old and new — we can help you find the parts that connect your solutions.

We make it easy to locate the parts, and we quickly deliver them wherever they need to go. Just talk to one of our tech advisors or visit our website. You'll be connected to the products you need in no time.

Visit www.startech.com for complete information on all StarTech.com products and to access exclusive resources and time-saving tools.

StarTech.com is an ISO 9001 Registered manufacturer of connectivity and technology parts. StarTech.com was founded in 1985 and has operations in the United States, Canada, the United Kingdom and Taiwan servicing a worldwide market.