



## OPERATING INSTRUCTIONS

### ZONE MANAGERS

### ZM-9001, ZM-9002

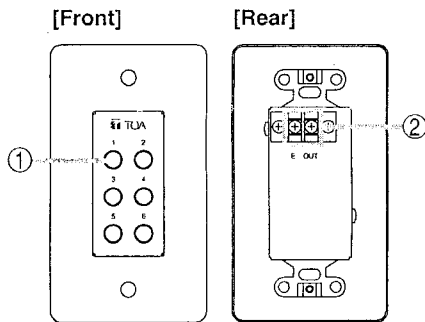
Thank you for purchasing TOA's Zone Manager.  
Please carefully follow the instructions in this manual to ensure long, trouble-free use of your equipment.

#### 1. GENERAL DESCRIPTION

The ZM-9001 is a remote control switch panel used with the 9000 Series amplifiers. It adds 6 control inputs and can be mounted in a 1-gang electrical box.  
The ZM-9002 is a remote control switch/volume panel used with the 9000 Series amplifiers. It adds 4 control inputs and 1 volume control, and can be mounted in a 1-gang electrical box.

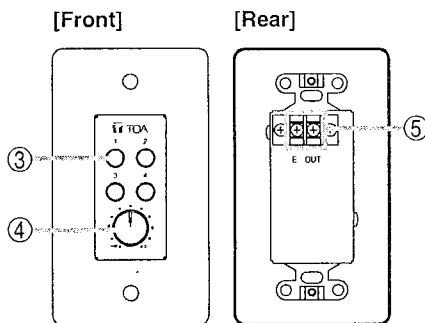
#### 2. NOMENCLATURE AND FUNCTIONS

##### 2.1. ZM-9001



1. **Control buttons [1 – 6]**  
Activate the function assigned to them when pressed.
2. **Control output terminal [E, OUT]**  
Connect this terminal to the 9000 Series amplifier's REMT VOL terminal.  
Use a shielded cable with 50  $\Omega$  or less line resistance (per line) for this connection.  
Avoid installation of this cable and power cables in the same conduit. Separate piping.

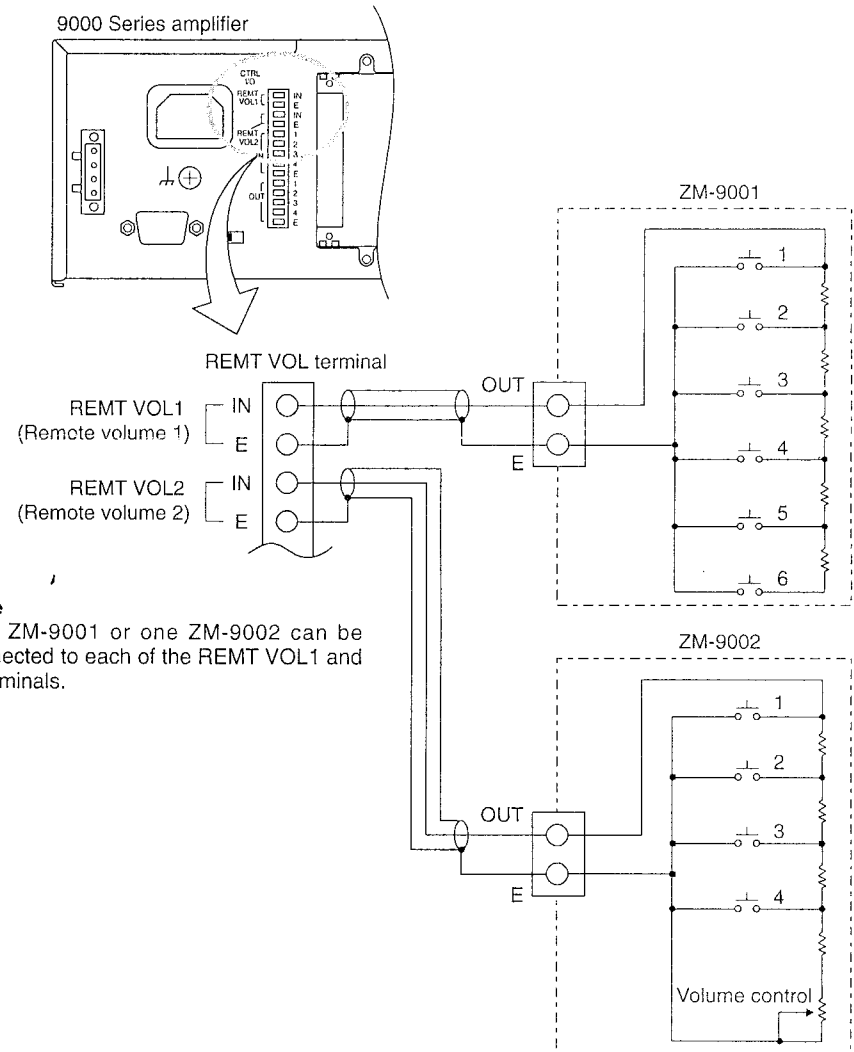
##### 2.2. ZM-9002



3. **Control buttons [1 – 4]**  
Activate the function assigned to them when pressed.
4. **Volume control**  
Adjusts the volume on the assigned input or output channel.
5. **Control output terminal [E, OUT]**  
Connect this terminal to the 9000 Series amplifier's REMT VOL terminal.  
Use a shielded cable with 50  $\Omega$  or less line resistance (per line) for this connection.  
Avoid installation of this cable and power cables in the same conduit. Separate piping.

#### 3. CONNECTIONS

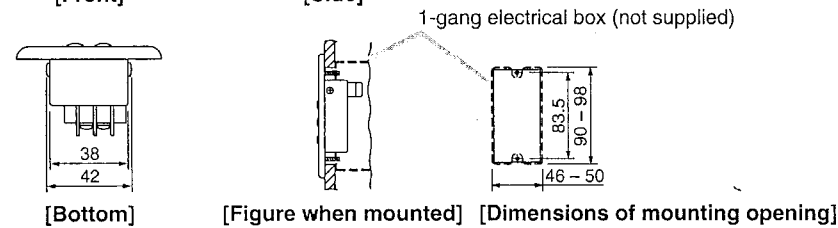
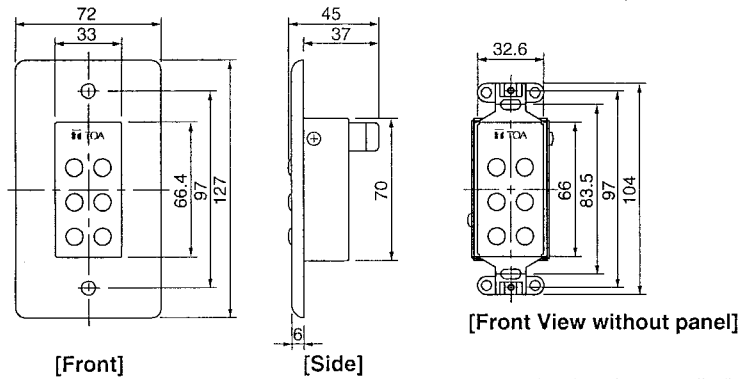
Connecting the ZM-9001 Zone Manager to the 9000 Series amplifier adds 6 control inputs and allows the equipped 6 control buttons to perform the functions assigned for input's or output's channel volume up/down, or other functions.  
Connecting the ZM-9002 Zone Manager to the 9000 Series amplifier adds 1 volume control and 4 control inputs. Volume of the input or output channels can be remotely adjusted with the volume control, and the 4 control buttons can be assigned the same functions as those of the ZM-9001.  
Function assignment to the control buttons or volume control is performed at the 9000 Series amplifier. For the method, refer to the instruction manual supplied with the 9000 Series amplifier.



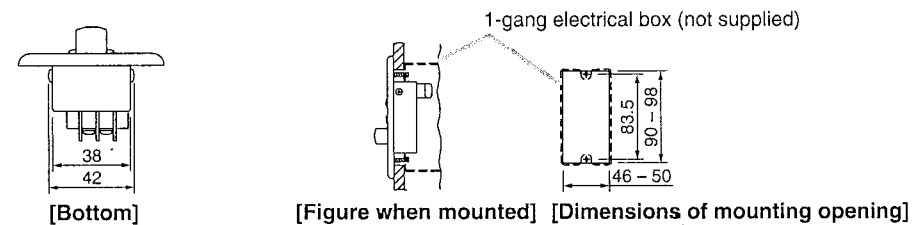
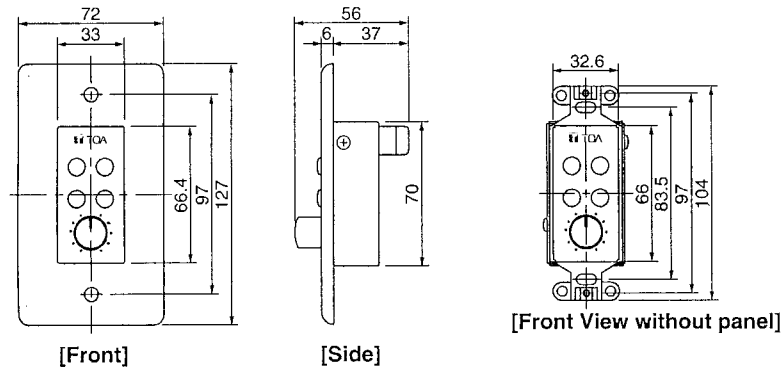
**Note**  
One ZM-9001 or one ZM-9002 can be connected to each of the REMT VOL1 and 2 terminals.

## 4. DIMENSIONAL DIAGRAMS

### 4.1. ZM-9001



### 4.2. ZM-9002



## 5. SPECIFICATIONS

### 5.1. ZM-9001

Applicable Cable	Shielded cables
Line Resistance	Under 100 Ω (loop)
Terminal	M3 screw terminal, distance between barriers: 7.62 mm
Operating Temperature	-10 to +40°C
Finish	Surface-treated steel plate, white, paint
Dimensions	72 (w) x 127 (h) x 45 (d) mm
Weight	170 g

**Note:** The design and specifications are subject to change without notice for improvement.

#### • Accessories

Machine screw (for box mounting) No.6-32UNC x 30	2
Machine screw (for panel mounting) No.6-32UNC x 6	2

### 5.2. ZM-9002

Applicable Cable	Shielded cables
Line Resistance	Under 100 Ω (loop)
Terminal	M3 screw terminal, distance between barriers: 7.62 mm
Operating Temperature	-10 to +40°C
Finish	Surface-treated steel plate, white, paint
Dimensions	72 (w) x 127 (h) x 56 (d) mm
Weight	170 g

**Note:** The design and specifications are subject to change without notice for improvement.

#### • Accessories

Machine screw (for box mounting) No.6-32UNC x 30	2
Machine screw (for panel mounting) No.6-32UNC x 6	2