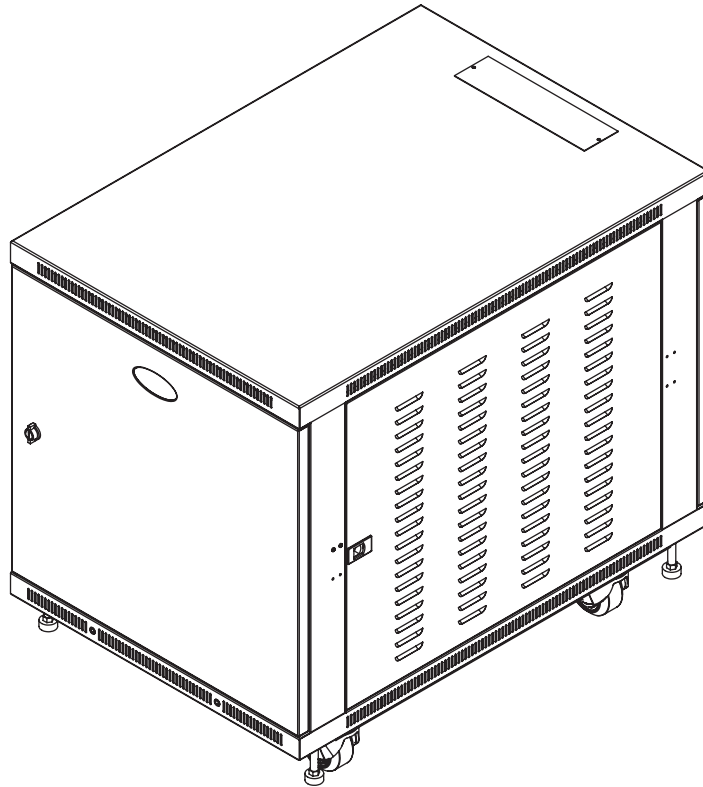


Owner's Manual

External Battery Pack for Use with 3-Phase 208V SUT UPS Systems

Model: BP288VEBP
(Series Number: AG-01A2)

Español 11 • Français 21



1111 W. 35th Street, Chicago, IL 60609 USA • www.tripplite.com/support

Copyright © 2018 Tripp Lite. All rights reserved.

1. Important Safety Warnings



SAVE THESE INSTRUCTIONS

All sections of this manual contain instructions and warnings that must be followed during the installation and operation of the battery cabinet described in this manual. Read ALL instructions thoroughly before attempting to move, install or connect your battery cabinet. Failure to heed these warnings may affect your warranty and cause serious property damage and/or personal injury.



DANGER! LETHAL HIGH VOLTAGE HAZARD!

All wiring should be performed by a qualified electrician, in accordance with the warnings in this manual and all applicable electrical and safety codes. Incorrect wiring may cause serious personal injury and property damage.

Installation and Location Warnings

- Install the battery cabinet in a controlled indoor environment, away from moisture, temperature extremes, flammable liquids and gasses, conductive contaminants, dust and direct sunlight.
- Install the battery cabinet in a level, structurally sound location.
- The battery cabinet is very heavy; use extreme caution when moving or lifting the unit.
- Operate the battery cabinet at indoor temperatures between 32° F and 104° F (0° C and 40° C) and 30-90% non-condensing humidity only. For optimum battery performance, maintain an ambient indoor temperature of 77° F (25° C).
- Leave adequate space around the front and rear of the battery cabinet for proper ventilation. Do not block, cover or insert objects into the external ventilation openings of the battery cabinet.
- Do not place any object on the battery cabinet, especially containers of liquid.
- Do not attempt to stack the battery cabinet. Attempting to stack the battery cabinet may cause permanent damage and create a potential for serious personal injury.
- Do not attempt to unpack or move the battery cabinet without assistance. Use appropriate handling equipment rated to bear the weight and bulk of the battery cabinet, such as freight elevators, pallet jacks and forklifts. (Fully extend forks under load. Spread forks to maximum possible width under load. Lift cabinet from bottom only. Wear safety shoes.)
- For emergency use, install a fire extinguisher rated for energized electrical equipment fires (Class C rating or exact equivalent, with a non-conductive extinguishing agent) near the battery cabinet.

Connection Warnings

- The battery cabinet contains hazardous high voltages that have the potential to cause personal injury or death from electric shock.
- The battery cabinet has its own energy source. The output terminals may be live even when the battery cabinet is not connected to a UPS system.
- The battery cabinet must be suitably grounded according to all applicable electrical wiring regulations.
- Use of this equipment in life support applications where failure of this equipment can reasonably be expected to cause the failure of the life support equipment or to significantly affect its safety or effectiveness is not recommended.
- De-energize all input and output power sources before installing cables or making electrical connections.
- Use flexible cable of sufficient length to permit battery cabinet servicing.
- Use ferrule caps to cover termination cables and prevent frayed ends from shorting on terminal blocks. Use cabling rated VW-1, FT-1 or better. Use cable sleeves and connector clamps.
- Confirm that all cables are marked correctly according to their purpose, polarity and diameter.
- Observe proper polarity by connecting negative to negative and positive to positive (and center string to center string, where applicable). Failure to observe proper polarity may damage the batteries and create a serious risk of personal injury and property damage.
- Wiring should be performed by trained, qualified electricians only.

1. Important Safety Warnings



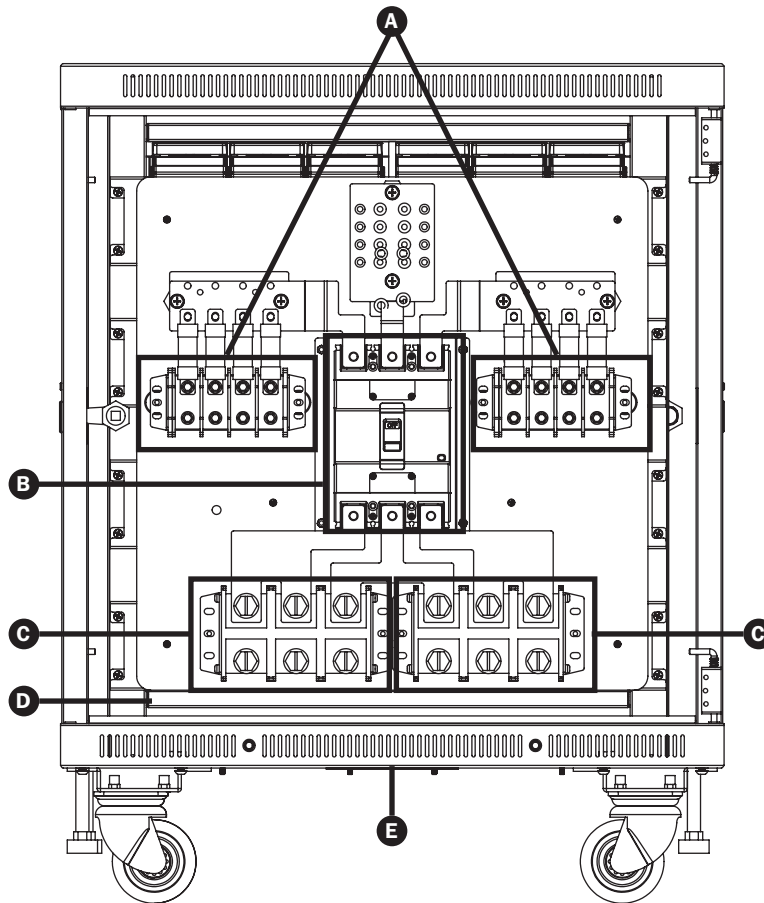
Battery Warnings

- The battery cabinet does not require routine maintenance by the user. There are no user-serviceable parts inside. Only qualified, knowledgeable service personnel familiar with all required precautions should open the access panels for any reason. Keep unauthorized personnel away from batteries.
- The battery cabinet contains valve-regulated recombinant lead-acid (VRLA) batteries. Do not attempt to add water to these batteries or sample the electrolyte specific gravity.
- Valve-regulated recombinant lead-acid (VRLA) batteries can contain an explosive mixture of hydrogen gas. DO NOT SMOKE when near batteries. DO NOT cause flames or sparks near batteries. Discharge static electricity from body before touching batteries. DO NOT open or mutilate batteries—released electrolyte is harmful to the skin and eyes and may be toxic. DO NOT dispose of batteries in a fire—they may explode.
- Batteries present a risk of electrical shock and burns from high short-circuit current. Battery connection or replacement should be performed only by qualified service personnel, observing proper precautions. Use tools with insulated handles. Remove watches, rings or other metal objects. Wear rubber gloves and boots. Do not short or bridge the battery terminals with any object. Do not lay tools or metal parts on top of batteries. Use tools with insulated handles. There are no user-serviceable parts inside the battery cabinet. Battery replacement should be performed only by authorized service personnel using the same number and type of batteries (Sealed Lead-Acid). The batteries are recyclable. Refer to your local codes for disposal requirements or visit <http://www.tripplite.com/support/recycling-program> for recycling information. Tripp Lite offers a complete line of UPS System Replacement Battery Cartridges (R.B.C.). Visit Tripp Lite on the Web at <http://www.tripplite.com/products/battery-finder/> to locate the specific replacement battery for your UPS.
- Replace batteries with equivalent batteries (same number and type) available from Tripp Lite.
- Fuse replacement should only be performed by qualified service personnel. Replace with only the same type and rating: 63A 660V.
- The batteries are recyclable. Refer to local codes for disposal requirements. Do not dispose of batteries except through approved channels in accordance with all applicable local, state and national regulations.
- Do not connect or disconnect batteries when the UPS system is operating from the battery supply or when the unit is not in bypass mode. Disconnect the charging source prior to connection or disconnecting battery terminals.
- If the charging source remains off for an extended period of time, it should be turned on periodically to allow the batteries to recharge. The charging source should be turned on and the batteries should be recharged at least one uninterrupted 24-hour period every 3 months. Failure to recharge the batteries periodically may cause permanent battery damage.
- Allow batteries to charge uninterrupted for 24 hours after installation.

2. Installation and Setup

2.1 Rear Panel View

Note: Inspect the unit before performing installation. Make sure nothing inside the package is damaged. Keep the original packaging for future use.



A Battery Terminal Blocks with Fast-Acting Fuses

B DC Breaker:

- Battery over-current protection breaker.
- When servicing internal batteries, place the position of the breaker in the “O” position. This breaker does not interrupt DC power flow between the UPS and any additional battery packs connected in parallel to the UPS. In the event a second battery pack is connected to the battery bank, the DC voltage from the UPS Bat. +/- will flow through without any interruption to the second battery bank.

Note: The DC breaker is tripped (set to off, or the “O” position) at the factory. Do not flip the breaker’s actuator level to the on (“I”) position until the battery pack has been successfully installed and properly connected to the UPS.

C Input/Output Terminal Blocks: Connects to UPS and additional external battery cabinets.

D Ground Terminal: Connects to earth ground.

E Cable Access Ports

2.2 Battery Pack Installation and Setup

Note: To unload unit, removing the batteries may be required.

Unpacking and Inspection

1. Remove the battery pack from the packaging.

Note: The battery pack is extremely heavy. Be cautious when unpacking and lifting the unit to avoid injury.

2. Inspect the package contents for impact or other damage:

- Battery Pack Unit
- Owner’s Manual

2. Installation and Setup

Selecting Installation Site

To minimize the possibility of damage to the battery bank and extend the life of the batteries, follow the instructions below:

1. Maintain at least 8 inches (20 cm) clearance between the unit's rear panel and a wall (or other obstructions).
2. Do not block airflow to the unit's ventilation openings.
3. Ensure the installation site environmental conditions are in accordance with the unit's working specifications to avoid overheating and/or excessive moisture.
4. Do not place the unit in a dusty or corrosive environment or near any flammable objects.
5. This unit is not designed for outdoor use.

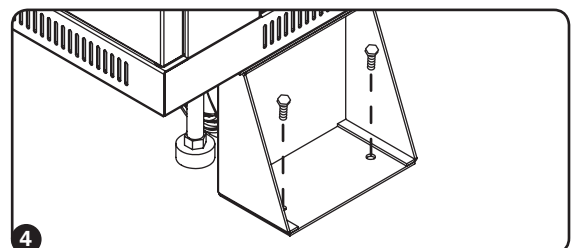
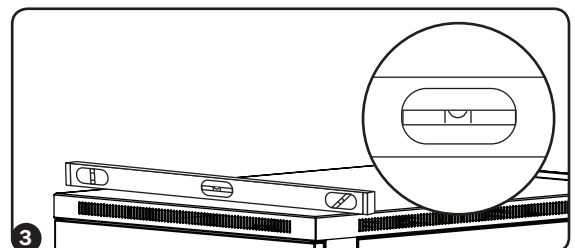
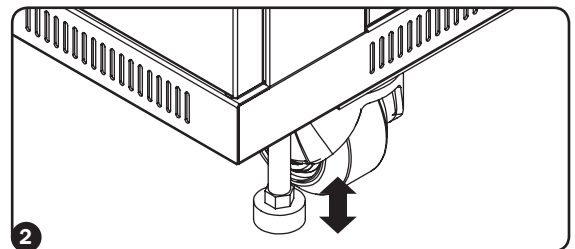
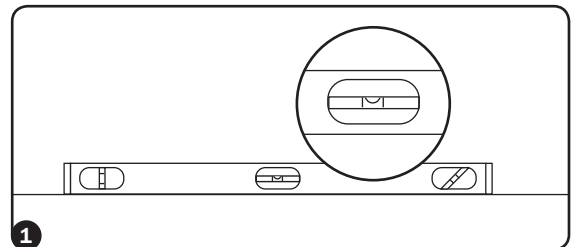
Battery Pack Placement

Use the casters to move the battery pack for a short distance over a level, smooth, stable surface by pushing it from the front or rear (not the side panels). Do not attempt to roll the unit over long distances. The battery pack should be moved close to its installation location inside its shipping container before it is unpacked. (Use a forklift or pallet jack to move the shipping container.)

WARNING: Do not push or pull the battery cabinet by the side panels.

Leveling

- 1 After the battery pack has been moved to the installation location, use a carpenter's level to check the slope of the floor. If the floor slopes more than 1%, choose an alternate installation site.
- 2 Use an 18 mm open-end wrench to lower each leveler until it reaches the floor. Make sure each leveler is in firm contact with the floor.
Note: Lower a leveler by turning it clockwise; raise a leveler by turning it counter-clockwise.
- 3 After lowering each leveler, use the carpenter's level to confirm the enclosure is level in all directions. Adjust the levelers as required until the battery pack is level.
- 4 **(Optional)** To provide an additional measure of stability, you can use the shipping brackets that secured the unit to the shipping pallet to secure mounting points in the floor using user-supplied hardware or Tripp Lite's SmartRack Bolt-Down Kit (Part # SR331).



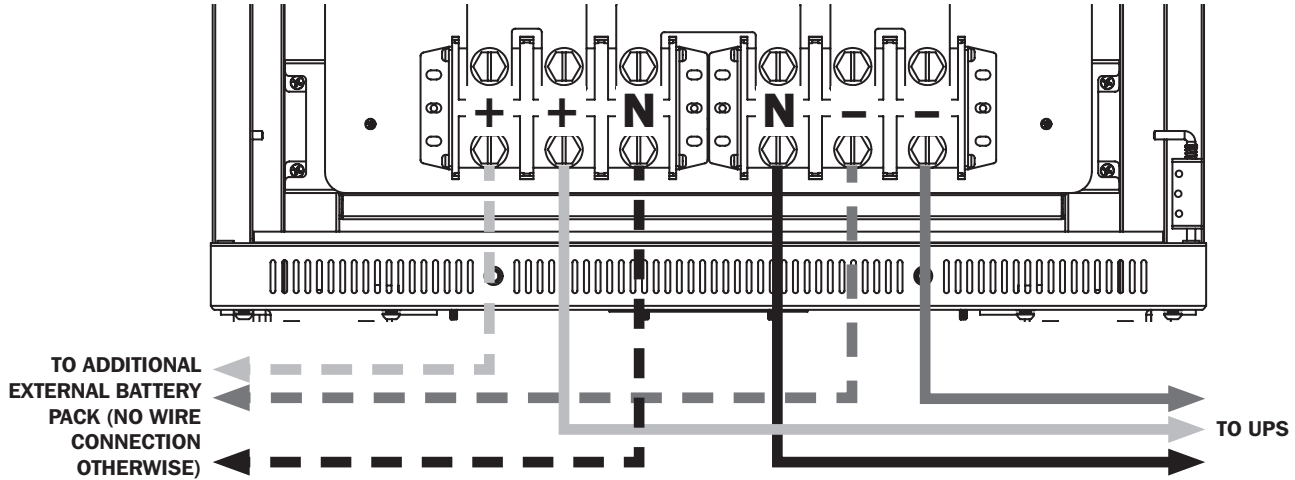
2. Installation and Setup

Connecting a UPS to the Battery Pack

The external battery pack will increase the battery runtime. As a result, recharge time will also increase. Follow the installation diagram below to connect the battery pack to the UPS. For information on connecting to the UPS terminal block, refer to **sections 3.6.2 and 3.7** of the **SUT UPS Owner's Manual**.

UPS System	SUT20K	SUT30K	SUT40K	SUT60K
Battery Input Cable*	1 AWG (35 mm ²)	1/0 AWG (50 mm ²)	3/0 AWG (95 mm ²)	250 kcmil (120 mm ²)

* Use copper wire rated to 194°F (90°C) or higher. If using cable designed for a lower temperature capacity, please size wire according to local regulations.

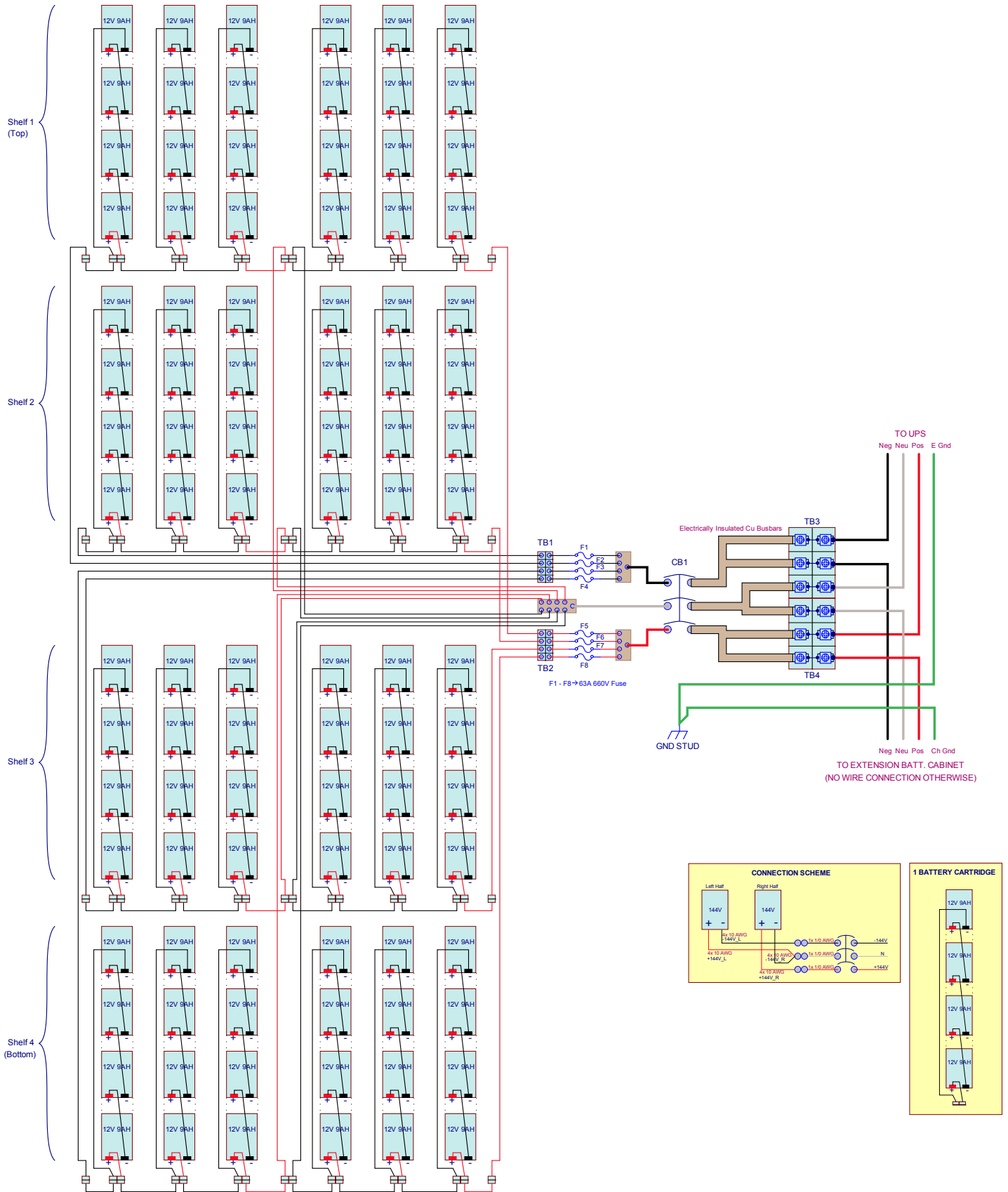


Notes:

- The DC breaker is tripped (set to off, or the "O" position) at the factory. Do not flip the breaker's actuator lever to the on ("I") position until the battery pack has been properly connected to the UPS.
- Always use compression lugs with cabling to connect the UPS to the battery pack's terminal block.
- Installer should determine correct wire type based on application.

2. Installation and Setup

Battery Pack Wiring Diagram



3. Battery Replacement

Note: The following battery replacement instructions are for Tripp Lite RBCSUT Replacement Batteries Cartridges.

- 1 Make sure the DC breaker is tripped (set to off, or the “0” position).
- 2 Open the battery pack’s front door.
- 3 Open the terminal housings covering the internal battery cable terminals. Disconnect the terminals (Figure 3-1). Refer to Figure 3-2 for the entire battery installation.

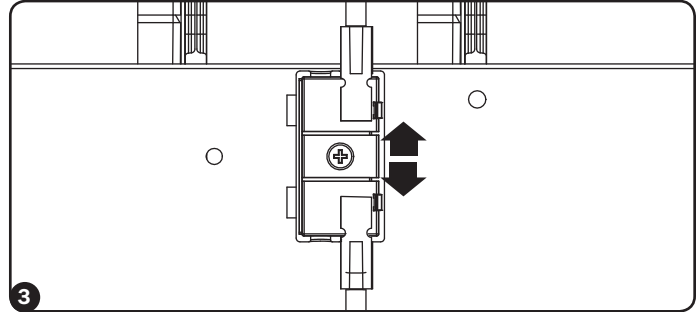


Figure 3-1

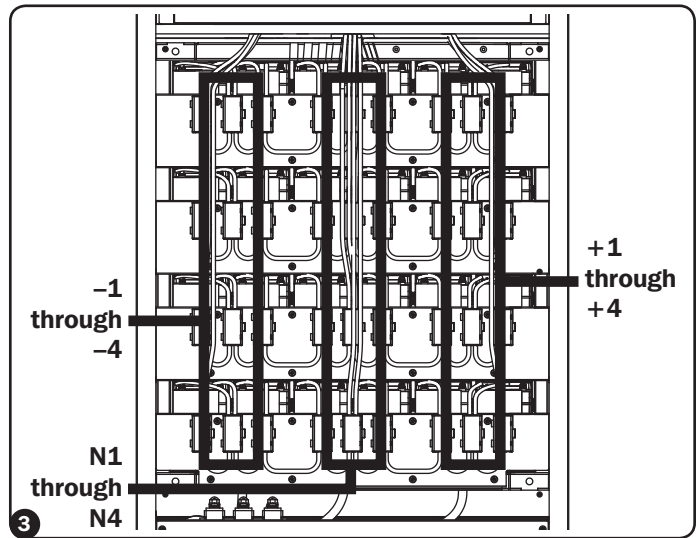


Figure 3-2

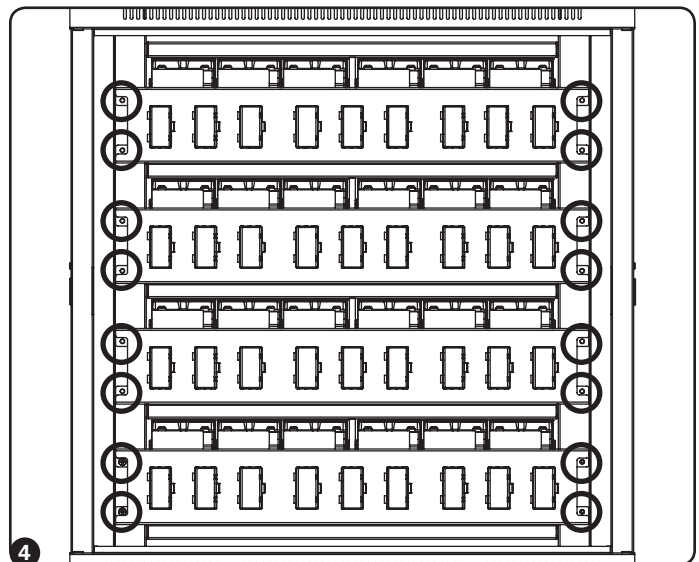
1. Disconnect the +1, +2, +3 and +4 cables on the right.
2. Disconnect the -1, -2, -3 and -4 cables on the left.
3. Disconnect the N1, N2, N3 and N4 cables in the center.

- 4 Remove the screws securing the wiring brackets. Remove brackets.
- 5 Carefully remove each used battery string by pulling it out by its tab. Insert the new battery string into the slot.
- 6 Use the screws from step 4 to reattach the wiring brackets.
- 7 In the reverse order of step 3 (4,3,2,1), reconnect the battery terminals. Refer to Figure 3-2 for the entire battery installation.

Important! Make sure all cables labeled with a +, -, or N are correctly connected to their corresponding connector. Improper connection can result in damage to battery pack and/or UPS system. Please refer to the white labels attached to the cables and the labels on the terminal housings for proper connection.

Once all connectors are attached, close the terminal housings.

- 8 Set the DC breaker to the on (“I”) position to resume normal operation.



4. Specifications

Battery	
DC System Voltage	+/- 144V DC
Battery Type	12V 9Ah
Battery Quantity	96
Battery Pack Ah	36
UPS Connection	Hardwire (3-Pole Terminal Block)
Physical	
Unit Dimensions (H x W x D)	23.5 x 30.08 x 33.58 in. / 1999 x 1016 x 749 mm
Unit Weight	771.62 lb. / 350 kg
Material of Construction	Steel
External Battery Pack Form Factor	Tower
Environment	
Storage Temperature	-4°F to 104°F / -20°C to 40°C
Operating Temperature	32°F to 104°F / 0°C to 40°C
Operating Elevation	0 to 10,000 ft. / 0 to 3,000 m
Humidity	5% to 95% RH (Non-Condensing)

5. UPS and Battery Recycling

Batteries can present a risk of electrical shock and burn from high short-circuit current. Observe proper precautions. Do not dispose of the batteries in a fire. Do not open the batteries. Do not short or bridge the battery terminals with any object. Unplug and turn off the UPS before performing battery replacement. Use tools with insulated handles. Battery replacement should be performed only by authorized service personnel using the same number and type of batteries (Sealed Lead-Acid). The batteries are recyclable. Refer to your local codes for disposal requirements or visit <http://www.tripplite.com/support/recycling-program> for recycling information.

6. Storage and Service

Storage

If the charging source remains off for an extended period of time, it should be turned on periodically to allow the batteries to recharge. The charging source should be turned on and the batteries should be recharged for at least one uninterrupted 24-hour period every 3 months. Failure to recharge the batteries periodically may cause permanent battery damage.

Service

Your Tripp Lite product is covered by the warranty described in this manual. A variety of Extended Warranty and On-Site Service Programs are also available from Tripp Lite. For more information on service, visit www.tripplite.com/support. Before returning your product for service, follow these steps:

1. Review the installation and operation procedures in this manual to insure that the service problem does not originate from a misreading of the instructions.
2. If the problem continues, do not contact or return the product to the dealer. Instead, visit www.tripplite.com/support.
3. If the problem requires service, visit www.tripplite.com/support and click the Product Returns link. From here you can request a Returned Material Authorization (RMA) number, which is required for service. This simple on-line form will ask for your unit's model and serial numbers, along with other general purchaser information. The RMA number, along with shipping instructions will be emailed to you. Any damages (direct, indirect, special or consequential) to the product incurred during shipment to Tripp Lite or an authorized Tripp Lite service center are not covered under warranty. Products shipped to Tripp Lite or an authorized Tripp Lite service center must have transportation charges prepaid. Mark the RMA number on the outside of the package. If the product is within its warranty period, enclose a copy of your sales receipt. Return the product for service using an insured carrier to the address given to you when you request the RMA.

7. Warranty

1-YEAR LIMITED WARRANTY

Seller warrants this product, if used in accordance with all applicable instructions, to be free from original defects in material and workmanship for a period of one (1) year from the date of initial purchase. If the product should prove defective in material or workmanship within that period, Seller will repair or replace the product, in its sole discretion. Service under this Warranty can only be obtained by your delivering or shipping the product (with all shipping or delivery charges prepaid) to: Tripp Lite, 1111 W. 35th Street, Chicago, IL 60609 USA. Seller will pay return shipping charges. Visit www.triplite.com/support before sending any equipment back for repair.

THIS WARRANTY DOES NOT APPLY TO NORMAL WEAR OR TO DAMAGE RESULTING FROM ACCIDENT, MISUSE, ABUSE OR NEGLIGENCE. SELLER MAKES NO EXPRESS WARRANTIES OTHER THAN THE WARRANTY EXPRESSLY SET FORTH HEREIN. EXCEPT TO THE EXTENT PROHIBITED BY APPLICABLE LAW, ALL IMPLIED WARRANTIES, INCLUDING ALL WARRANTIES OF MERCHANTABILITY OR FITNESS, ARE LIMITED IN DURATION TO THE WARRANTY PERIOD SET FORTH ABOVE; AND THIS WARRANTY EXPRESSLY EXCLUDES ALL INCIDENTAL AND CONSEQUENTIAL DAMAGES. (Some states do not allow limitations on how long an implied warranty lasts, and some states do not allow the exclusion or limitation of incidental or consequential damages, so the above limitations or exclusions may not apply to you. This Warranty gives you specific legal rights, and you may have other rights which vary from jurisdiction to jurisdiction).

WARNING: The individual user should take care to determine prior to use whether this device is suitable, adequate or safe for the use intended. Since individual applications are subject to great variation, the manufacturer makes no representation or warranty as to the suitability or fitness of these devices for any specific application.

Regulatory Compliance Identification Numbers

For the purpose of regulatory compliance certifications and identification, your Tripp Lite product has been assigned a unique series number. The series number can be found on the product nameplate label, along with all required approval markings and information. When requesting compliance information for this product, always refer to the series number. The series number should not be confused with the marketing name or model number of the product.

WEEE Compliance Information for Tripp Lite Customers and Recyclers (European Union)



Under the Waste Electrical and Electronic Equipment (WEEE) Directive and implementing regulations, when customers buy new electrical and electronic equipment from Tripp Lite they are entitled to:

- Send old equipment for recycling on a one-for-one, like-for-like basis (this varies depending on the country)
- Send the new equipment back for recycling when this ultimately becomes waste

Tripp Lite has a policy of continuous improvement. Specifications are subject to change without notice.

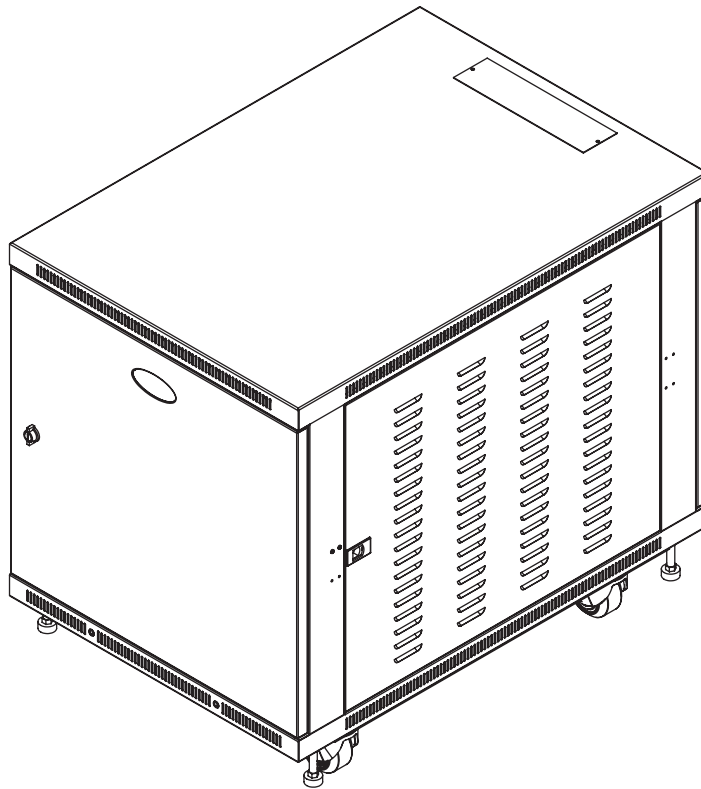


Manual del Propietario

Módulo de Baterías Externo para Uso con Sistemas UPS SUT Trifásicos de 208V

Modelo: BP288VEBP
(Número de Serie: AG-01A2)

English 1 • Français 21



1111 W. 35th Street, Chicago, IL 60609 USA • www.tripplite.com/support

Copyright © 2018 Tripp Lite. Todos los derechos reservados.

1. Instrucciones de Seguridad Importantes



CONSERVE ESTAS INSTRUCCIONES

Todas las secciones de este manual contienen instrucciones y advertencias que deben observarse durante la instalación y la operación del gabinete de batería aquí descrito. Lea **TODAS** las instrucciones detenidamente antes de mover, instalar o conectar el gabinete de batería. Caso contrario, puede afectar la garantía y causar daños materiales o lesiones físicas graves.



¡PELIGRO! ¡RIESGO LETAL POR ALTO VOLTAJE!

El tendido del cableado debe estar a cargo de un electricista calificado, en conformidad con las advertencias descritas en este manual y en todos los códigos de seguridad y eléctricos que correspondan. Si el cableado no fuese correcto, puede causar lesiones físicas graves y daños materiales.

Advertencias sobre Instalación y Ubicación

- Instale el gabinete de batería en un ambiente interior controlado, alejado de humedad excesiva, temperaturas extremas, líquidos y gases inflamables, contaminantes conductores, polvo o luz solar directa.
- Instale el gabinete de batería en una ubicación nivelada y con estructura firme.
- El gabinete de batería es muy pesado. Tenga sumo cuidado cuando mueva o levante la unidad.
- El gabinete de batería solo debe funcionar a una temperatura entre 0° C y 40° C y entre 30 - 90% de humedad sin condensación en interiores. Para mejores resultados, mantenga la temperatura ambiente a 25° C.
- Mantenga espacio suficiente en la parte delantera y posterior del gabinete para una correcta ventilación. No bloquee, cubra ni coloque objetos en las aberturas de ventilación externas del gabinete.
- No apoye ningún objeto sobre el gabinete de batería, especialmente recipientes con líquido.
- No intente apilar el gabinete de batería. Si lo hiciera, puede dañarlo de forma definitiva y causar lesiones físicas graves.
- No intente desembalar ni mover el gabinete sin asistencia. Use un equipo de manipulación con capacidad apropiada para soportar el peso y la carga del gabinete, como montacargas y gatos mecánicos para tarimas. (Extienda las horquillas por completo debajo de la carga. Ábralas al máximo ancho posible. Levante el gabinete por la base solamente. Use calzado protector.)
- Para uso en caso de emergencia, instale un extinguidor certificado para incendios de equipos eléctricos conectados (clasificación clase C o uno exactamente equivalente, con agente extinguidor no conductor) cerca del gabinete.

Advertencias sobre la Conexión

- El gabinete de batería contiene alto voltaje peligroso que puede causar lesiones físicas o la muerte por descarga eléctrica.
- El gabinete tiene su propia fuente de energía. Las terminales de salida pueden estar energizadas cuando el gabinete no está conectado a un sistema UPS.
- El gabinete se debe conectar a tierra como corresponda según todas las regulaciones de cableado eléctrico previstas.
- El uso de este equipo en aplicaciones de soporte de vida en donde la falla de este equipo pueda razonablemente hacer suponer que causará fallas en el equipo de soporte de vida o afecte significativamente su seguridad o efectividad, no está recomendado.
- Desconecte todas las fuentes de alimentación de entrada y salida antes de instalar los cables o realizar conexiones eléctricas.
- Use un cable flexible de longitud suficiente para permitir las tareas de servicio del gabinete.
- Use casquillos para tapar los cables de terminación y evitar que los extremos deshilachados entren en corto en los bloques de terminales. Use cable con clasificación VW-1, FT-1 o superior. Use manguitos para los cables y abrazaderas para los conectores.
- Confirme que todos los cables estén marcados correctamente según su finalidad, polaridad y diámetro.
- Para respetar la polaridad correcta, conecte el negativo con el negativo y el positivo con el positivo (y el filamento central con el filamento central, según corresponda). El hecho de no respetar la polaridad correcta puede dañar las baterías y causar riesgo grave de lesiones físicas y daños materiales.
- El tendido del cableado debe estar a cargo solamente de electricistas calificados y capacitados.

1. Instrucciones de Seguridad Importantes



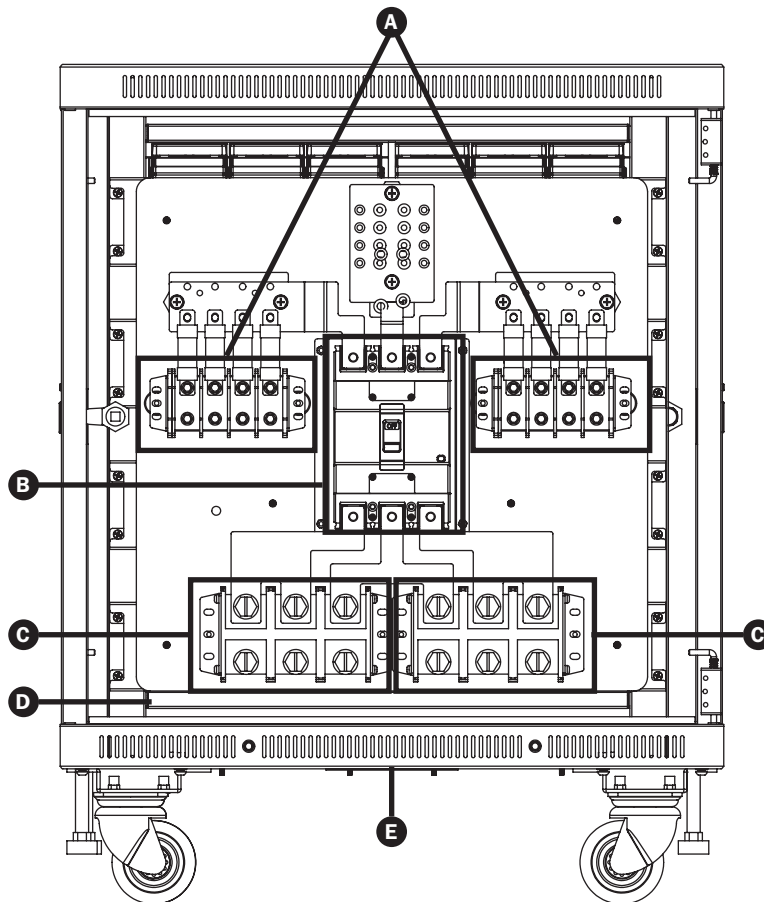
Advertencias sobre Batería

- El gabinete de batería no requiere mantenimiento regular por parte del usuario. No incluye partes que requieran tareas de servicio a cargo del usuario. Solo personal técnico calificado y familiarizado con todas las precauciones requeridas puede abrir los paneles de acceso por algún motivo. Mantenga al personal no autorizado alejado de las baterías.
- El gabinete de batería contiene baterías de plomo ácido recombinantes reguladas con válvula (VRLA). No intente agregar agua a las baterías ni tomar una muestra del peso específico del electrolito.
- Las baterías de plomo ácido recombinantes reguladas con válvula (VRLA) pueden contener una mezcla explosiva de gas hidrógeno. NO FUME cerca de las baterías. NO encienda llamas ni chispas cerca de las baterías. Descargue la electricidad estática del cuerpo antes de tocar las baterías. NO abra ni altere las baterías, la emisión de electrolito es dañina para la piel y los ojos, y puede ser tóxica. NO deseche las baterías mediante incineración; pueden explotar.
- Debido a que las baterías presentan un peligro de choque eléctrico y quemaduras por las altas corrientes de cortocircuito, tome las precauciones adecuadas. No deseche las baterías en un incinerador. No abra las baterías. No ponga los terminales de la batería en corto o en puente con ningún objeto. Apague y desconecte el UPS antes de reemplazar la batería. Sólo debe cambiar las baterías personal técnico debidamente capacitado. Use herramientas con mangos aislados y reemplace las baterías existentes con el mismo número y tipo de baterías nuevas (plomo-ácido selladas). No hay partes dentro del gabinete de baterías a las que el usuario pueda dar servicio. Las baterías del UPS son reciclables. Consulte la reglamentación local para los requisitos de disposición de desechos o visita <http://www.tripplite.com/support/recycling-program> para reciclar información. Tripp Lite ofrece una línea completa de Cartuchos de reemplazo de batería para UPS (R.B.C.). Visite Tripp Lite en la web en <http://www.tripplite.com/products/battery-finder/> para localizar la batería de reemplazo específica para su UPS.
- Reemplace las baterías por otras equivalentes (mismo número y tipo) que puede comprar en Tripp Lite.
- El reemplazo del fusible debe estar a cargo solo de personal de servicio calificado. Solo reemplace por el mismo tipo y clasificación: 63A 660V.
- Las baterías son reciclables. Para los requisitos de desecho, consulte los códigos locales. Solo deseche las baterías mediante los canales autorizados en conformidad con todas las regulaciones locales, estatales y nacionales que correspondan.
- No conecte ni desconecte las baterías cuando el sistema UPS esté funcionando con suministro de la batería o cuando la unidad no se encuentre en modo de derivación. Desconecte la fuente de carga antes de conectar o desconectar las terminales de la batería.
- Si la fuente de carga permanece apagada por un período prolongado, debe encenderse periódicamente para permitir la recarga de las baterías. Debe encenderse la unidad de carga y recargarse las baterías durante 24 horas ininterrumpidas como mínimo cada 3 meses. Si no se recargaran las baterías periódicamente puede causar un daño definitivo a la batería.
- Deje que las baterías se carguen durante 24 horas ininterrumpidas después de la instalación.

2. Instalación y Configuración

2.1 Vista del Panel Posterior

Nota: Inspeccione la unidad antes de realizar la instalación. Confirme que no haya nada dañado dentro del paquete. Mantenga el embalaje original para uso posterior.



A Bloques de Terminales de Baterías con Fusibles de Acción Rápida

B Breaker de CD:

- Breaker para protección contra sobrecorriente de batería.
- Al dar servicio las baterías internas, coloque el breaker en la posición "0". Este breaker no interrumpe el flujo de corriente CD entre el UPS y cualquier módulo adicional de baterías conectado en paralelo al UPS. En caso de que esté conectado un segundo módulo de baterías al banco de baterías, el voltaje CD de la Bat. +/- del UPS fluirá sin interrupciones al segundo banco de baterías.

Nota: El breaker de CD es desconectado (sistema apagado, o la posición "0") en la fábrica. No cambie el nivel del actuador del breaker a la posición de encendido ("I") hasta que el módulo de baterías haya sido instalado con éxito y correctamente conectado al UPS.

C Bloques de Terminales de Entrada / Salida: Se conectan al UPS y los gabinetes adicionales de baterías externas.

D Terminal de Tierra Física: Se Conecta a Tierra Física.

E Puertos para Acceso al Cable

2.2 Instalación y Configuración del Módulo de Baterías

Nota: Para descargar la unidad, puede ser necesario quitar las baterías.

Desembalaje e Inspección

1. Extraiga el módulo de baterías del embalaje.

Nota: El módulo de baterías es muy pesado. Tenga cuidado cuando desembale y levante la unidad para no causar daños.

2. Inspeccione el contenido del paquete para detectar impactos u otros daños:

- Unidad de módulo de baterías
- Manual del Propietario

2. Instalación y Configuración

Selección del Sitio de Instalación

Para minimizar la posibilidad de daños al banco de baterías y extender la vida útil de las baterías, siga las instrucciones a continuación:

1. Mantenga al menos un espacio libre de 20 cm entre el panel posterior de la unidad y la pared (u otra obstrucción).
2. No bloquee la circulación de aire en las aberturas de ventilación de la unidad.
3. Compruebe que las condiciones ambientales del sitio de instalación coincidan con las especificaciones de funcionamiento de la unidad para evitar recalentamiento o humedad excesiva.
4. No coloque la unidad en un ambiente con polvo o corrosivo, ni cerca de objetos inflamables.
5. Esta unidad no ha sido diseñada para uso en exteriores.

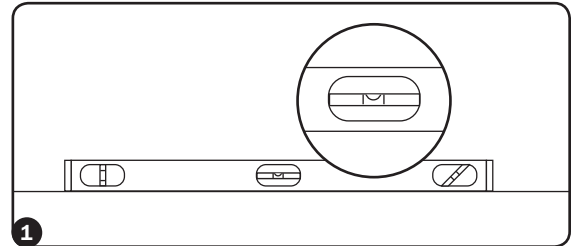
Colocación del Módulo de Baterías

Use las ruedas para mover el módulo de baterías a corta distancia sobre una superficie nivelada, lisa y estable empujando desde la parte delantera o trasera (no de los paneles laterales). No intente rodar la unidad a largas distancias. El módulo de baterías se debe desplazar cerca de su lugar de instalación dentro de su contenedor de embarque antes de desempacarlo. (Utilice un montacargas o gato para tarimas para mover el contenedor de embarque).

ADVERTENCIA: No empuje ni jale el gabinete de la batería por los paneles laterales.

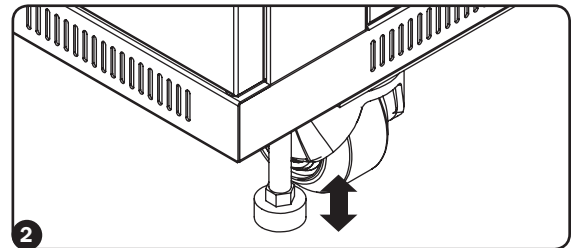
Nivelación

- 1 Después de que el módulo de baterías ha sido trasladado a la ubicación de instalación, utilice un nivel de burbuja para verificar la pendiente del piso. Si el piso tiene una pendiente mayor del 1%, elija un sitio alternativo de instalación.

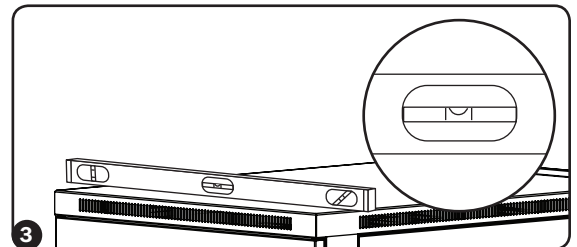


- 2 Use una llave española de 18 mm para bajar cada nivelador hasta llegar al piso. Asegúrese de que cada nivelador esté en firme contacto con el suelo.

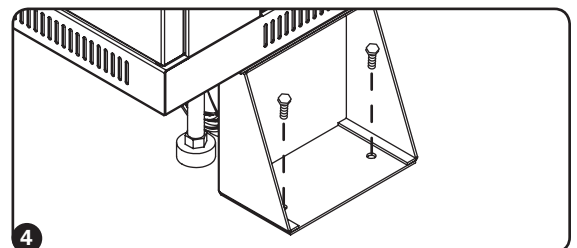
Nota: Baje un nivelador girando en sentido de las manecillas del reloj; eleve un nivelador girando en sentido opuesto al de las manecillas del reloj.



- 3 Después de bajar cada nivelador, utilice el nivel de burbuja para confirmar que el gabinete está nivelado en todas las direcciones. Ajuste los niveladores como sea necesario hasta que el módulo de baterías esté nivelado.



- 4 (Opcional) Para proporcionar una medida adicional de estabilidad, puede utilizar los soportes de embarque que aseguraban la unidad a la tarima para asegurar los puntos de montaje al piso usando accesorios suministrados por el usuario o el juego de perno de anclaje SmartRack de Tripp Lite (parte # SR331).



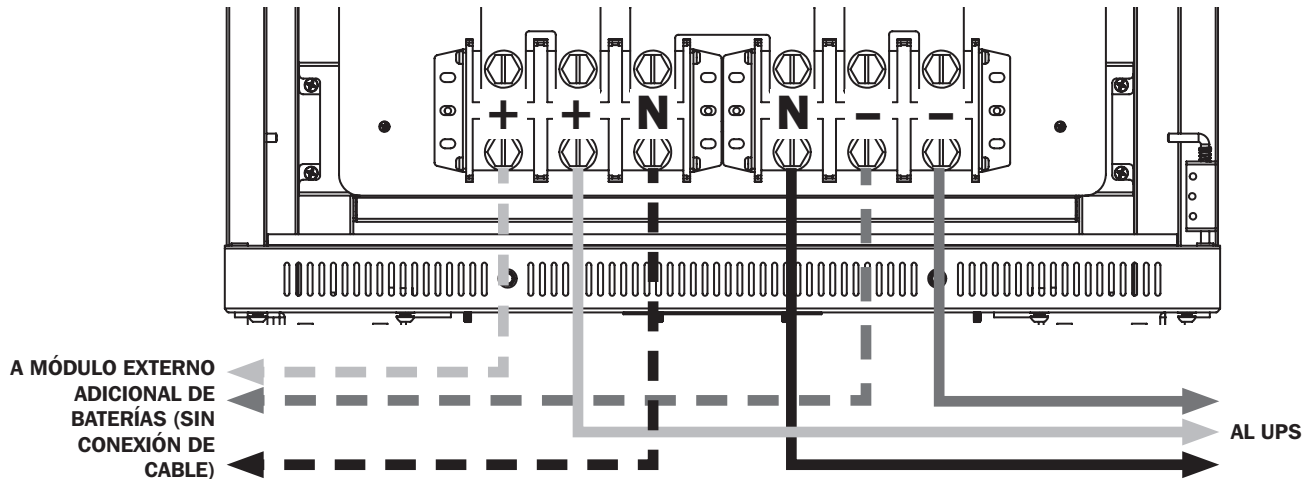
2. Instalación y Configuración

Conexión de un UPS al Módulo de Baterías

El módulo externo de baterías aumentará el tiempo de autonomía. Como resultado, el tiempo de recarga también aumentará. Siga el diagrama de instalación para conectar el módulo de baterías al UPS. Para obtener información sobre la conexión a al bloque de conexiones del UPS, consulte las **secciones 3.6.2 y 3.7 del Manual del Propietario del UPS SUT**.

Sistema UPS	SUT20K	SUT30K	SUT40K	SUT60K
Cable de Entrada de Batería*	1 AWG (35 mm ²)	1/0 AWG (50 mm ²)	3/0 AWG (95 mm ²)	250 kcmil (120 mm ²)

* Use cable de cobre especificado para 90 °C (194 °F) o mayor. Si usa un cable diseñado para una capacidad de temperatura más baja, por favor ajuste el tamaño del cable conforme a las regulaciones locales.

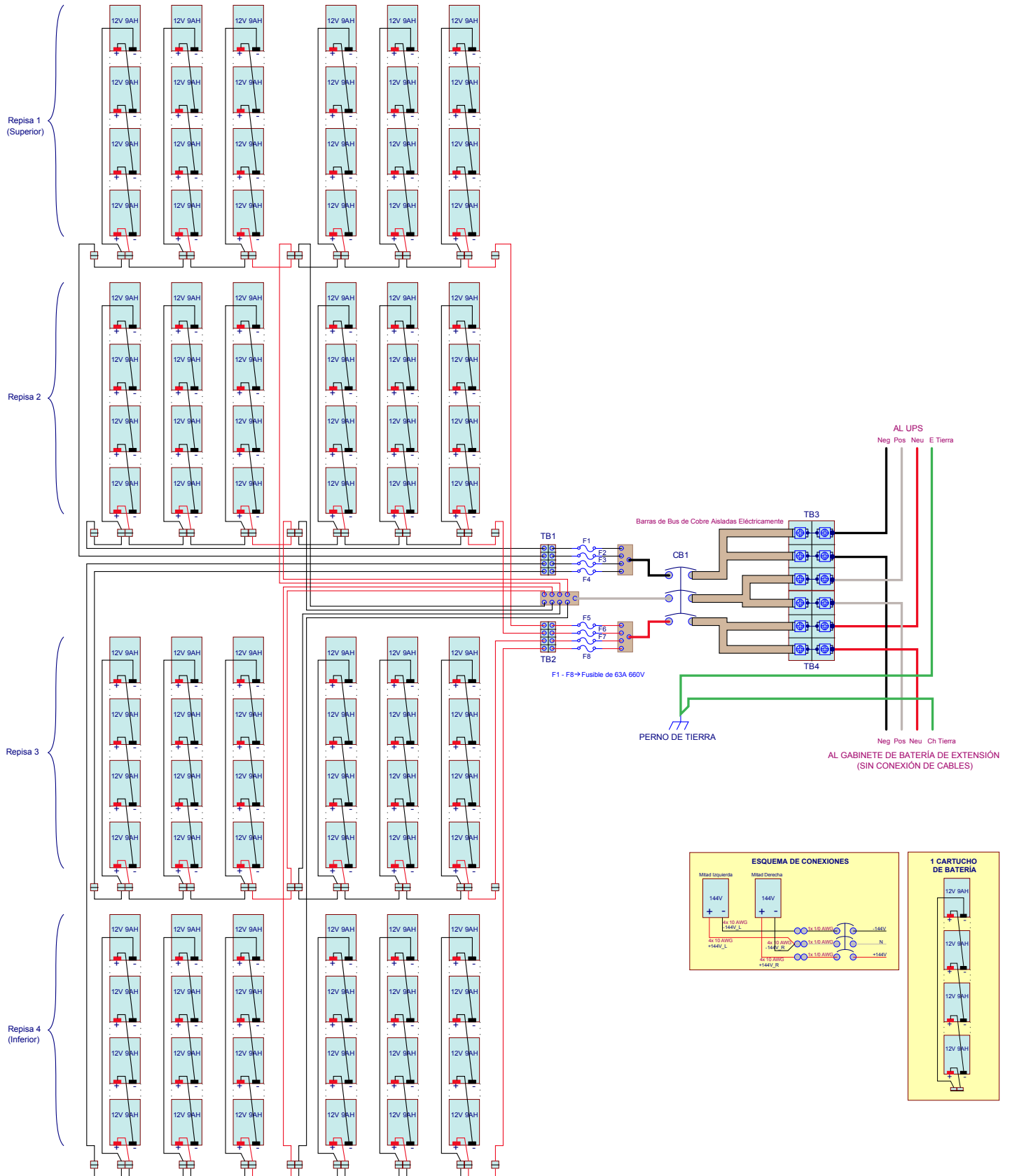


Notas:

- El breaker de CD es desconectado (establecido en apagado, o la posición "0" en la fábrica. No cambie la palanca del actuador del breaker a la posición de encendido ("I") hasta que el módulo de baterías haya sido correctamente conectado al UPS.
- Siempre use zapatas de compresión con el cableado para conectar el UPS al bloque de terminales de la batería.
- El instalador debe determinar el tipo correcto de cable basado en la aplicación.

2. Instalación y Configuración

Diagrama de Cableado del Módulo de Baterías



3. Reemplazo de la Batería

Nota: Las siguientes instrucciones de reemplazo de batería son para cartuchos de baterías de reemplazo RBCSUT de Tripp Lite.

- 1 Asegure que el breaker de CD esté desconectado (establecido en apagado o la posición "0").
- 2 Abra la puerta frontal del módulo de baterías.
- 3 Abra los alojamiento de terminales que cubren los terminales del cable de la batería interna. Desconecte las terminales (Figura 3-1). Refiérase a la Figura 3-2 para consultar la instalación de la batería entera.

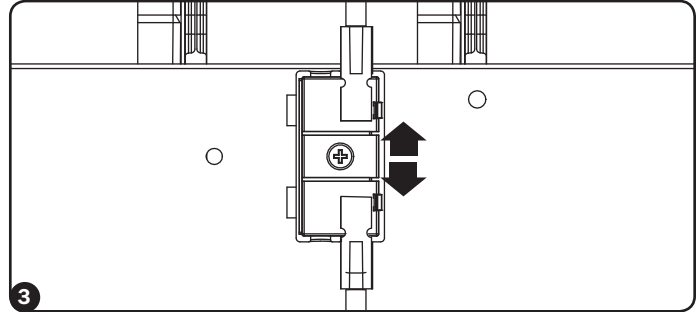


Figura 3-1

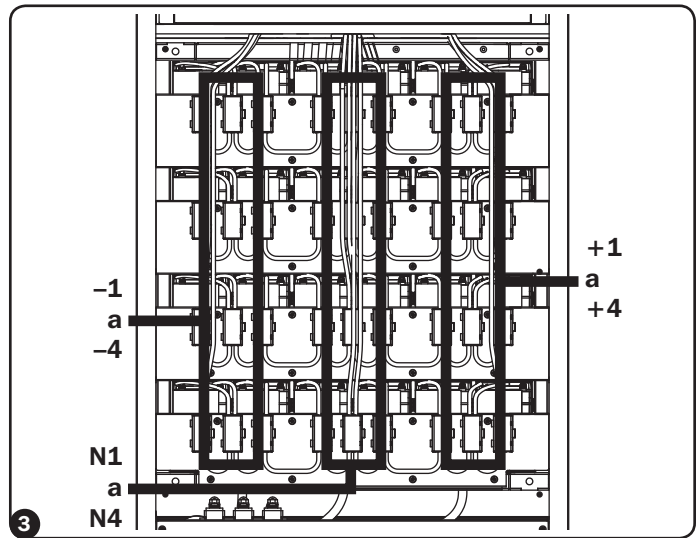
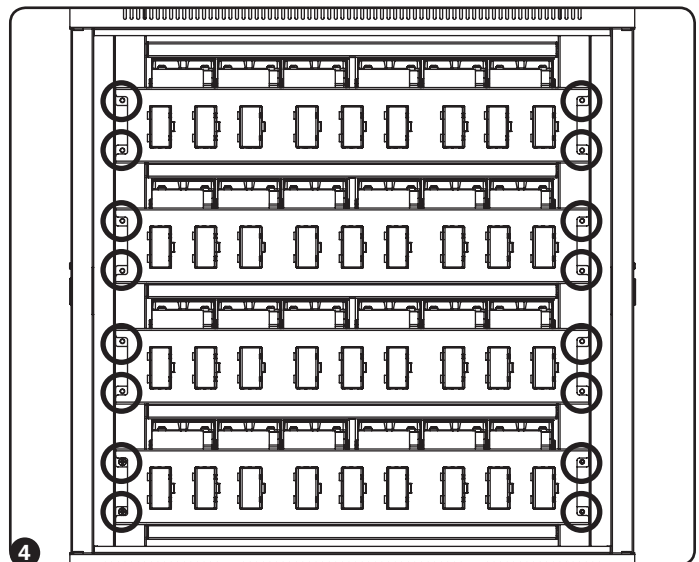


Figura 3-2

1. Desconecte los cables +1, +2, +3 y +4 a la derecha.
2. Desconecte los cables -1, -2, -3 y -4 a la izquierda.
3. Desconecte los cables N1, N2, N3 y N4 al centro.

- 4 Retire los tornillos que sujetan los soportes de cableado. Retire los soportes.
- 5 Retire con cuidado cada cadena de baterías usado tirando de él hacia fuera por su lengüeta. Inserte la nueva cadena de baterías en la ranura.
- 6 Utilice los tornillos del paso 4 para volver a colocar los soportes de cableado.
- 7 En el orden inverso del paso 3 (4,3,2,1), vuelva a conectar las terminales de la batería. Refiérase a la Figura 3-2 para consultar la instalación de la batería entera.

¡Importante! Asegure que todos los cables etiquetados con +, - o N estén correctamente conectados a su conector correspondiente. La conexión incorrecta puede causar daños al módulo de baterías y/o al sistema UPS. Por favor refiérase a las etiquetas blancas adheridas a los cables y las etiquetas en los alojamientos de las terminales para una conexión apropiada.



Una vez que todos los conectores estén instalados, cierre los alojamientos de las terminales.

- 8 Coloque el breaker de CD en la posición encendido ("I") para reanudar la operación normal.

4. Especificaciones

Batería	
Voltaje CD del Sistema	+/- 144V CD
Tipo de Batería	12V 9Ah
Cantidad de Baterías	96
Módulo de Baterías Ah	36
Conexión del UPS	Instalación Eléctrica Permanente (Bloque de Terminales de 3 Polos)
Físicas	
Dimensiones de la Unidad (Al x An x Pr)	1999 x 1016 x 749 mm [3.5" x 30.08" x 33.58"]
Peso de la Unidad	350 kg [771.62 lb]
Material de Construcción	Acero
Factor de Forma del Módulo de Batería Externa	Torre
Entorno	
Temperatura de Almacenamiento	-20 °C a 40 °C [-4 °F a 104 °F]
Temperatura de Operación	0 °C a 40 °C [32 °F a 104 °F]
Elevación de Operación	0 ~ 3000 m [0 ~ 10,000 pies]
Humedad	De 5% a 95% de HR (Sin Condensación)

5. Reciclado de la Batería y el UPS

Las baterías pueden presentar un riesgo de descarga eléctrica y quemaduras por la alta corriente de cortocircuito. Observe las precauciones apropiadas. No deseché las baterías en el fuego. No abra las baterías. No ponga en corto o puentee las terminales de la batería con ningún objeto. Desenchufe y apague el UPS antes de ejecutar el reemplazo de la batería. Use herramientas con mangos aislados. El reemplazo de la batería debe realizarlo solo el personal de servicio autorizado usando el mismo número y tipo de baterías (Plomo-Ácido Selladas). Las baterías son reciclables. Para información sobre el reciclado, consulte sus códigos locales para los requisitos de desecho o visite <http://www.tripplite.com/support/recycling-program>.

6. Almacenamiento y Servicio

Almacenamiento

Si la fuente de carga permanece apagada por un período prolongado, debe encenderse periódicamente para permitir la recarga de las baterías. Debe encenderse la unidad de carga y recargarse las baterías durante 24 horas ininterrumpidas como mínimo cada 3 meses. Si no se recargan las baterías periódicamente, puede causar un daño definitivo a la batería.

Servicio técnico

Su producto Tripp Lite está cubierto por la garantía descrita en este manual. Tripp Lite también pone a su disposición una variedad de Garantías extendidas y Programas de servicio técnico en el sitio. Si desea más información sobre el servicio técnico, visite www.tripplite.com/support. Antes de devolver su producto para servicio técnico, siga estos pasos:

1. Revise la instalación y los procedimientos de operación que se encuentran en este manual para asegurarse de que el problema de servicio no se debe a una mala lectura de las instrucciones.
2. Si el problema persiste, no se comunique ni devuelva el producto al mayorista. En cambio, visite www.tripplite.com/support.
3. Si el problema exige servicio técnico, visite www.tripplite.com/support y haga clic en el enlace Devoluciones de productos. Desde aquí puede solicitar un número de Autorización de Material Devuelto (RMA), que se necesita para el servicio técnico. En este sencillo formulario en línea se le solicitarán los números de serie y modelo de la unidad, junto con otra información general del comprador. El número RMA y las instrucciones para el envío se le enviarán por correo electrónico. La presente garantía no cubre ningún daño (directo, indirecto, especial o consecuencial) del producto que ocurra durante el envío a Tripp Lite o a un centro de servicio técnico de Tripp Lite autorizado. Los productos enviados a Tripp Lite o a un centro de servicio técnico de Tripp Lite autorizado deben tener prepagos los cargos de transporte. Escriba el número RMA en el exterior del embalaje. Si el producto se encuentra dentro del período de garantía, adjunte una copia de su recibo de venta. Envíe el producto para servicio técnico mediante un transportador asegurado a la dirección que se le proporcionó cuando solicitó el número RMA.

7. Garantía

GARANTÍA LIMITADA DE 1 AÑO

El vendedor garantiza que este producto no tiene defectos originales de materiales ni de mano de obra por un período de un (1) año a partir de la fecha original de compra, si se utiliza de acuerdo con todas las instrucciones correspondientes. En caso de demostrarse dentro de ese período que el producto tiene defectos de materiales o de mano de obra, el vendedor lo reparará o reemplazará a su exclusiva discreción. El servicio técnico bajo esta garantía solo puede ser obtenido si usted entrega o envía el producto (con todos los cargos de envío o entrega prepagos) a: Tripp Lite; 1111 W. 35th Street; Chicago IL 60609; EE. UU. El vendedor abonará los cargos de envío de devolución. Visite www.tripplite.com/support antes de enviar cualquier equipo para reparación.

ESTA GARANTÍA NO CUBRE EL DESGASTE NORMAL NI LOS DAÑOS CAUSADOS POR ACCIDENTES, MAL USO, ABUSO O NEGLIGENCIA. EL VENDEDOR NO OFRECE NINGUNA GARANTÍA EXPRESA QUE NO SEA LA ESTABLECIDA EXPRESAMENTE EN EL PRESENTE DOCUMENTO. EXCEPTO EN LA MEDIDA EN QUE LO PROHIBAN LAS LEYES APLICABLES, LA DURACIÓN DE TODAS LAS GARANTÍAS IMPLÍCITAS, INCLUIDAS LAS DE COMERCIALIZACIÓN O APTITUD, SE LIMITA AL PERÍODO DE GARANTÍA ANTES MENCIONADO Y ESTA GARANTÍA EXCLUYE EXPRESAMENTE TODOS LOS DAÑOS INCIDENTALES E INDIRECTOS. (Algunos Estados no permiten las limitaciones a la duración de una garantía implícita y algunos Estados no permiten la exclusión o limitación de los daños incidentales o indirectos, de modo que las limitaciones o exclusiones antes mencionadas pueden no corresponder en su caso. Esta garantía le otorga derechos legales específicos y usted puede tener otros derechos que varían de una jurisdicción a otra).

ADVERTENCIA: Antes de usar este dispositivo, cada usuario debe ocuparse de determinar si es apto, adecuado o seguro para el uso que pretende darle. Dado que las aplicaciones individuales están sujetas a diversas variaciones, el fabricante no representa ni garantiza la idoneidad o condición de estos dispositivos para cualquier aplicación específica.

Cumplimiento de las normas de los números de identificación

Para fines de identificación y certificación del cumplimiento de las normas, su producto Tripp Lite tiene asignado un número de serie único. Puede encontrar el número de serie en la etiqueta de la placa de identificación del producto, junto con los símbolos de aprobación e información requeridos. Al solicitar información sobre el cumplimiento de las normas para este producto, siempre mencione el número de serie. El número de serie no debe ser confundido con el nombre de identificación ni con el número de modelo del producto.

Información de sobre Cumplimiento de la WEEE para Clientes de Tripp Lite y Recicladores (Unión Europea)



Según la Directiva de Residuos de Aparatos Eléctricos y Electrónicos (Waste Electrical and Electronic Equipment, WEEE,) y sus reglamentos, cuando los clientes compran nuevos equipos eléctricos y electrónicos a Tripp Lite, tienen derecho a:

- Enviar equipos antiguos para reciclaje según una base de uno por uno, entre productos similares (esto varía dependiendo del país)
- Enviar el equipo nuevo de vuelta para reciclaje cuando este se convierta finalmente en desecho

Tripp Lite tiene una política de mejora continua. Las especificaciones están sujetas a cambio sin previo aviso.



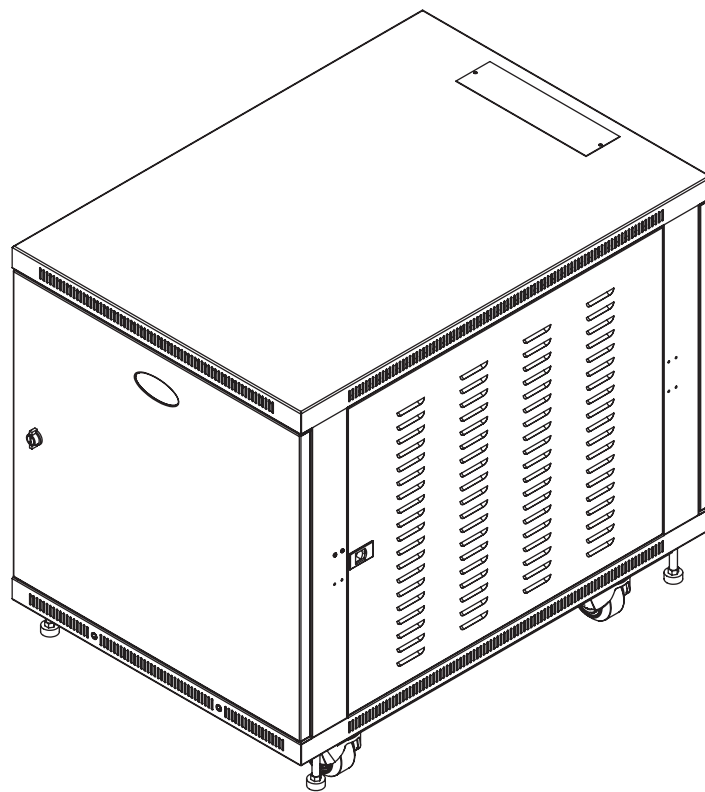
Excelencia en
Manufactura.

Manuel de l'utilisateur

Bloc-batterie externe pour une utilisation avec les onduleurs triphases SUT de 208 V

Modèle : BP288VEBP
(Numéro de série : AG-01A2)

English 1 • Español 11



1111 W. 35th Street, Chicago, IL 60609 USA • www.tripplite.com/support

Copyright © 2018 Tripp Lite. Tous droits réservés.

1. Instructions de sécurité importantes



CONSERVEZ CES INSTRUCTIONS

Toutes les sections de ce manuel contiennent des instructions et des avertissements devant être respectés pendant l'installation et l'utilisation de l'armoire de batterie décrite dans ce manuel. Lisez attentivement TOUTES les instructions avant d'essayer de déplacer, d'installer ou de connecter votre armoire de batterie. Ne pas tenir compte de ces avertissements peut influencer sur votre garantie et causer d'importants dommages matériels et/ou de graves blessures physiques.



DANGER ! HAUTE TENSION, DANGER DE MORT !

Tout le câblage doit être réalisé par un électricien qualifié, en respectant les avertissements contenus dans ce manuel et toutes les réglementations électriques et de sécurité applicables. Un câblage incorrect peut causer de graves blessures physiques et d'importants dommages matériels.

Avertissements concernant l'installation et l'emplacement

- Installez l'armoire de batterie dans un environnement intérieur contrôlé, à l'abri de l'humidité, des températures extrêmes, des liquides et gaz inflammables, des contaminants conducteurs, de la poussière et de la lumière directe du soleil.
- Installez l'armoire de batterie dans un emplacement de niveau et structurellement solide.
- L'armoire de batterie est extrêmement lourde ; soyez très prudent en déplaçant ou en soulevant l'unité.
- Utilisez l'armoire de batterie uniquement à une température intérieure comprise entre 0 °C et 40 °C et avec un taux d'humidité de 30 à 90 % sans condensation. Pour les meilleurs résultats possibles, maintenez une température ambiante de 25° C à l'intérieur.
- Laissez un espace adéquat autour de l'avant et de l'arrière de l'armoire de batterie pour garantir une ventilation correcte. Ne pas bloquer, couvrir ou insérer des objets dans les ouvertures de ventilation externes de l'armoire de batterie.
- Ne placez pas d'objet sur l'armoire de batterie, en particulier des récipients contenant des liquides.
- N'essayez pas d'empiler l'armoire de batterie. Essayer d'empiler l'armoire de batterie peut causer des dommages définitifs et de graves blessures physiques.
- N'essayez pas de débarrer ou de déplacer l'armoire de batterie sans assistance. Utilisez des équipements de manutention appropriés, prévus pour supporter le poids et le volume de l'armoire de batterie, tels qu'un monte-charge, un transpalette et un chariot élévateur. (Étendez complètement les fourches sous la charge. Écartez les fourches à la largeur maximale possible sous la charge. Soulevez l'armoire uniquement depuis la partie inférieure. Portez des chaussures de sécurité.)
- Pour une utilisation en cas d'urgence, installez un extincteur prévu pour les incendies dus à des équipements électriques sous tension (Classification classe C ou équivalent exact, avec un agent extincteur non conducteur) à proximité de l'armoire de batterie.

Avertissements concernant la connexion

- L'armoire de batterie contient des hautes tensions dangereuses risquant causer des blessures physiques ou la mort en raison d'une décharge électrique.
- L'armoire de batterie dispose de sa propre source d'énergie. Les bornes de sortie peuvent être sous tension même si l'armoire de batterie n'est pas connectée à un onduleur.
- L'armoire de batterie doit être mise à la terre de manière appropriée conformément à toutes les réglementations applicables relatives au câblage électrique.
- Il est déconseillé d'utiliser cet équipement dans des applications médicales où une panne de cet équipement pourrait normalement provoquer la panne de l'équipement de survie ou altérer notablement sa sécurité ou son efficacité.
- Mettez hors tension toutes les sources d'alimentation d'entrée et de sortie avant d'installer les câbles ou de procéder à des raccordements électriques.
- Utilisez du câble flexible de longueur suffisante pour permettre l'entretien de l'armoire de batterie.
- Utilisez des capuchons pour recouvrir les terminaisons de câbles et empêcher les extrémités effilochées de court-circuiter sur les borniers. Utilisez un câblage de calibre VW-1, FT-1 ou au-delà. Utilisez des manchons de câbles et des pinces de connecteurs.
- Vérifiez que tous les câbles sont marqués correctement selon leur fonction, leur polarité et leur diamètre.
- Respectez les polarités correctes en connectant le négatif au négatif et le positif au positif (et le fil central au fil central, le cas échéant). Ne pas respecter les polarités correctes peut endommager les batteries et créer un risque sérieux de blessures physiques et de dommages matériels.
- Le câblage doit uniquement être effectué par des électriciens formés et qualifiés.

1. Instructions de sécurité importantes



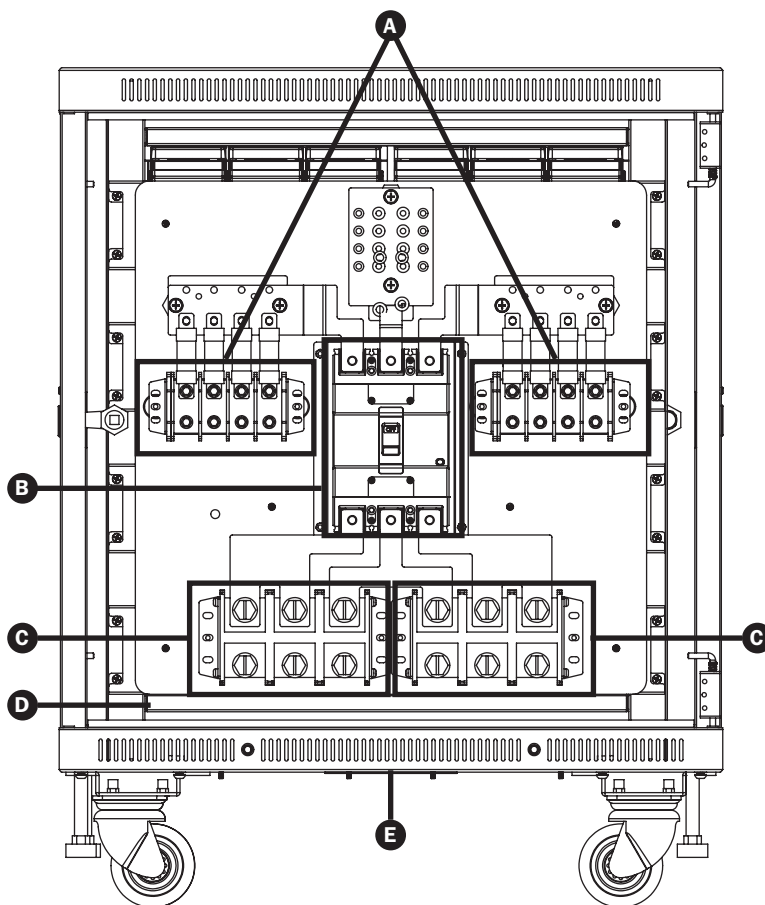
Avertissements concernant les batteries

- L'armoire de batterie ne nécessite pas d'entretien de routine de la part de l'utilisateur. Vous ne pouvez réparer aucune des pièces internes. Seul le personnel de service qualifié et compétent, connaissant toutes les précautions nécessaires doit ouvrir les panneaux d'accès quelle qu'en soit la raison. Maintenez les personnes non autorisées à l'écart des batteries.
- L'armoire de batterie contient des batteries plomb-acide régulées par soupape (VRLA). N'essayez pas d'ajouter de l'eau à ces batteries ou de mesurer la densité spécifique de l'électrolyte.
- Les batteries plomb-acide régulées par soupape (VRLA) peuvent contenir un mélange explosif d'hydrogène gazeux. NE FUMEZ PAS à proximité des batteries. NE provoquez PAS des flammes ou des étincelles à proximité des batteries. Déchargez l'électricité statique de votre corps avant de toucher les batteries. N'ouvrez PAS et N'abîmez PAS les batteries : l'électrolyte libérée est nocive pour la peau et les yeux et peut être toxique. NE jetez PAS les batteries au feu : elles peuvent exploser.
- Parce que les batteries présentent un risque de choc électrique et de courant de court-circuit élevé, prenez les précautions nécessaires. Ne pas jeter les batteries au feu. Ne pas ouvrir les batteries. Ne pas établir de court-circuit ou de pont entre les bornes de la batterie avec un quelconque objet. Débrancher et éteindre l'UPS avant de remplacer la batterie. Le remplacement de la batterie doit être confié à du personnel de service qualifié. Utiliser des outils ayant des poignées isolées et remplacer les batteries existantes par des batteries neuves du même numéro et du même type (batterie sans entretien). Vous ne pouvez réparer aucune des pièces à l'intérieur de l'armoire à batteries. Les batteries UPS sont recyclables. Consultez les codes locaux concernant les exigences d'élimination des déchets ou visiter <http://www.tripplite.com/support/recycling-program> pour information de recycler. Tripp Lite offre une gamme complète de cartouches de batterie de remplacement de système UPS (R.B.C.). Rendez visite à Tripp Lite sur le Web à <http://www.tripplite.com/products/battery-finder/> pour trouver la batterie de remplacement spécifique à votre UPS.
- Remplacez les batteries par des batteries équivalentes (même nombre et même type) disponibles chez Tripp Lite.
- Le remplacement des fusibles doit uniquement être effectué par du personnel de service qualifié. Remplacez-les uniquement par le même type et le même calibre : 63 A, 660 V.
- Les batteries sont recyclables. Consultez la réglementation locale pour connaître les exigences de mise au rebut. Ne mettez pas au rebut les batteries ailleurs que dans des canaux homologués conformément à toutes les réglementations locales, fédérales et nationales applicables.
- Ne connectez pas ou ne déconnectez pas les batteries quand l'onduleur fonctionne depuis l'alimentation par batteries ou quand l'unité n'est pas en mode de dérivation. Déconnectez la source de chargement avant de connecter ou de déconnecter les bornes des batteries.
- Si la source de chargement reste éteinte pendant une période prolongée, elle doit être mise en marche périodiquement pour permettre aux batteries de se recharger. La source de chargement doit être mise en marche et les batteries doivent être rechargées au moins une période de 24 heures ininterrompue tous les 3 mois. Ne pas recharger les batteries périodiquement peut endommager définitivement les batteries.
- Laissez les batteries se charger sans interruption pendant 24 heures après l'installation.

2. Installation et configuration

2.1 Vue du panneau arrière

Remarque : Vérifiez l'unité avant de procéder à l'installation. Assurez-vous que rien à l'intérieur de l'emballage n'est endommagé. Conservez l'emballage d'origine pour utilisation ultérieure.



A Blocs de jonction des batteries avec fusibles à action instantanée

B Disjoncteur CC :

- Disjoncteur de protection contre les surintensités des batteries.
- Lors de l'entretien des batteries internes, placer le disjoncteur en position « 0 ». Ce disjoncteur n'interrompt pas le flux d'énergie CC entre l'onduleur et tout module de batteries supplémentaire raccordé en parallèle à l'onduleur. Si un second module de batteries est raccordé au banc de batteries, la tension CC de +/- de la batterie de l'onduleur circulera sans interruption vers le second banc de batteries.

Remarque : Le disjoncteur CC est déclenché (configuré à off (arrêt) ou en position « 0 ») à l'usine. Ne pas mettre la tige de l'actionneur du disjoncteur en position « I » avant d'avoir installé avec succès le module de batteries et avoir raccordé correctement l'onduleur.

C Blocs de jonction d'entrée/sortie : se connectent à l'onduleur et aux armoires de batteries externes supplémentaires.

D Borne de mise à la terre : se connecte à la mise à la terre.

E Ports d'accès aux câbles

2.2 Installation et configuration du bloc-batterie

Remarque : Pour décharger l'appareil, il peut s'avérer nécessaire de retirer les batteries.

Déballage et vérification

1. Retirez le bloc-batterie de l'emballage.

Remarque : Le bloc-batterie est très lourd. Soyez prudent en déballant et en soulevant l'unité pour éviter toute blessure.

2. Vérifiez la présence d'impacts ou d'autres dommages dans le contenu de l'emballage :

- Unité bloc-batterie
- Manuel d'utilisation

2. Installation et configuration

Sélection du site d'installation

Pour réduire la possibilité de dommages au banc de batteries et étendre la durée de vie des batteries, suivez les instructions ci-dessous :

1. Maintenez au moins 20 cm d'espacement entre le panneau arrière de l'unité et une paroi (ou toute autre obstruction).
2. Ne bloquez pas le flux d'air vers les ouvertures de ventilation de l'unité.
3. Assurez-vous que les conditions environnementales du site d'installation sont conformes aux spécifications de fonctionnement de l'unité pour éviter une surchauffe et/ou une humidité excessive.
4. Ne placez pas l'unité dans un environnement poussiéreux ou corrosif ou à proximité d'objets inflammables.
5. Ce dispositif n'est pas conçu pour être utilisé à l'extérieur.

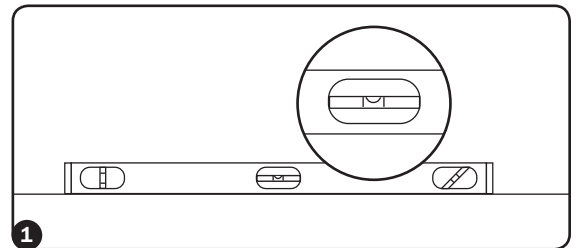
Placement du module de batteries

Utiliser les roulettes pour déplacer le module de batteries sur une courte distance sur une surface plane, lisse et stable en le poussant à partir de l'avant et de l'arrière (et non pas sur les côtés). Ne pas tenter de rouler l'appareil sur de grandes distances. Le module de batteries doit être déplacé à proximité de son emplacement d'installation à l'intérieur de son conteneur d'expédition avant qu'il ne soit déballé. (Utiliser un chariot élévateur à fourche ou un transpalette manuel pour déplacer le conteneur.)

AVERTISSEMENT : Ne pas pousser ou tirer l'armoire de batteries au niveau des panneaux latéraux.

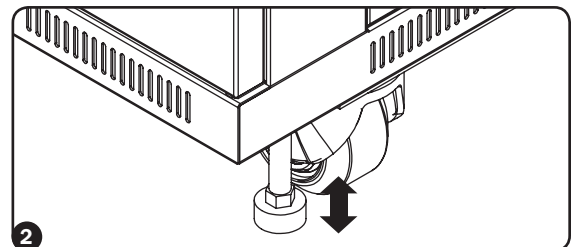
Mise au niveau

- 1 Après avoir déplacé le module de batteries à son emplacement d'installation, utiliser un niveau de menuisier pour vérifier la pente du plancher. Si la pente du plancher est supérieure à 1 %, choisir un autre site d'installation.

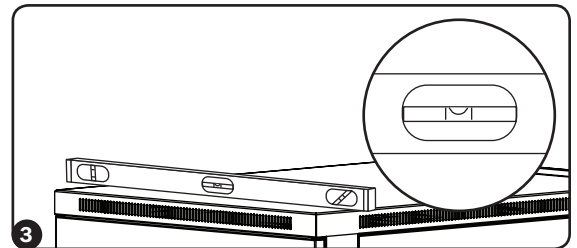


- 2 Utiliser une clé à fourche de 18 mm pour abaisser chaque vérin jusqu'à ce qu'il atteigne le sol. S'assurer que chaque vérin entre en contact de façon ferme avec le sol.

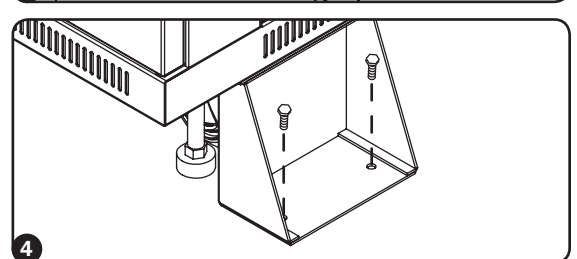
Remarque : Descendre un vérin en le tournant dans le sens des aiguilles d'une montre; remonter un vérin en le tournant dans le sens contraire des aiguilles d'une montre.



- 3 Après avoir descendu chaque vérin, utiliser le niveau de menuisier pour confirmer que le boîtier est au niveau dans toutes les directions. Régler les vérins au besoin jusqu'à ce que le module de batteries soit au niveau.



- 4 (facultatif) Pour fournir une stabilité supplémentaire, les supports d'expédition qui retiennent l'appareil à la palette d'expédition peuvent être utilisés pour fixer les points de montage dans le sol en utilisant la quincaillerie fournie par l'utilisateur ou la trousse de fixation SmartRack de Tripp Lite (n° d'article SR331).



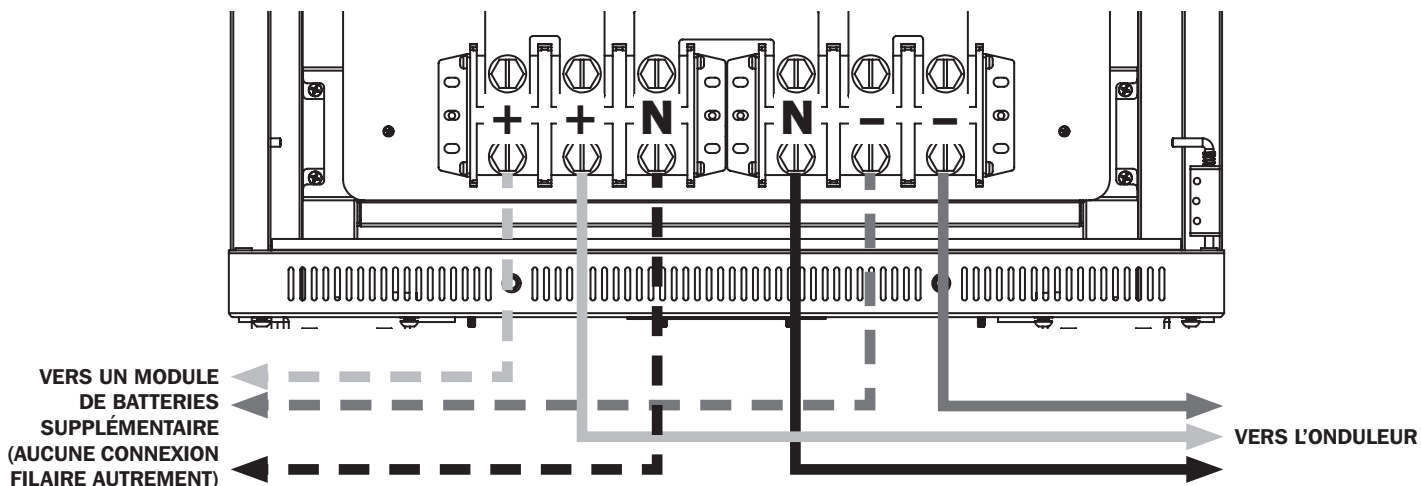
2. Installation et configuration

Connecter un onduleur au bloc-batterie

Le module de batteries externes augmentera le temps de fonctionnement des batteries. Par conséquent, le temps de recharge sera également accru. Suivre le diagramme d'installation ci-dessous pour raccorder le module de batteries à l'onduleur. Pour des informations sur le raccordement du bloc de jonction de l'onduleur, se référer aux **sections 3.6.2 et 3.7** du **manual de l'utilisateur de l'onduleur SUT**.

Onduleur	SUT20K	SUT30K	SUT40K	SUT60K
Câble d'entrée de la batterie*	1 AWG (35 mm ²)	1/0 AWG (50 mm ²)	3/0 AWG (95 mm ²)	250 kcmil (120 mm ²)

* Utiliser du fil en cuivre coté pour une température de 90 °C (194 °F) ou plus. Si un câble conçu pour réduire la capacité de température est utilisé, déterminer la taille du câble en fonction des réglementations locales.

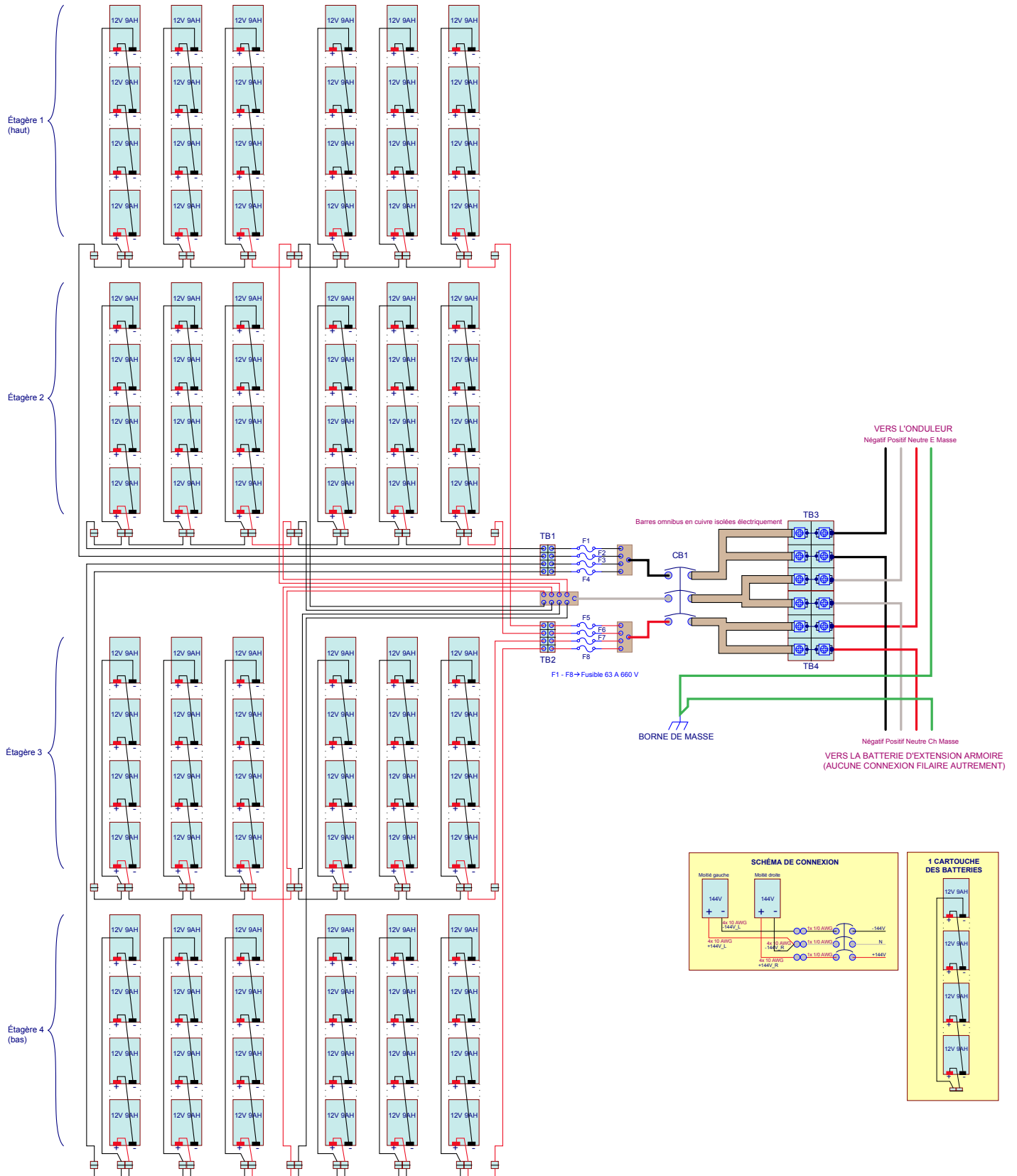


Remarques :

- Le disjoncteur CC est déclenché (configuré à off (arrêt) ou en position « 0 ») à l'usine. Ne pas mettre la tige de l'actionneur du disjoncteur en position « I » avant d'avoir raccordé correctement le module de batteries à l'onduleur.
- Toujours utiliser des cosses mécaniques avec le câblage pour raccorder l'onduleur au bloc de jonction du module de batteries.
- L'installateur doit déterminer le bon type de câblage en fonction de l'application

2. Installation et configuration

Diagramme de câblage des blocs-batteries



3. Remplacement de batterie

Remarque : Les instructions suivantes sur le remplacement des batteries sont pour les cartouches de batteries de recharge Tripp Lite RBCSUT.

- 1 S'assurer que le disjoncteur CC est déclenché (configuré à off (arrêt) ou en position « 0 »).
- 2 Ouvrir la porte avant du module de batteries.
- 3 Ouvrir les boîtiers des bornes couvrant les bornes des câbles des batteries internes. Débrancher les bornes (Figure 3-1). Se référer à la Figure 3-2 pour l'ensemble de l'installation des batteries.

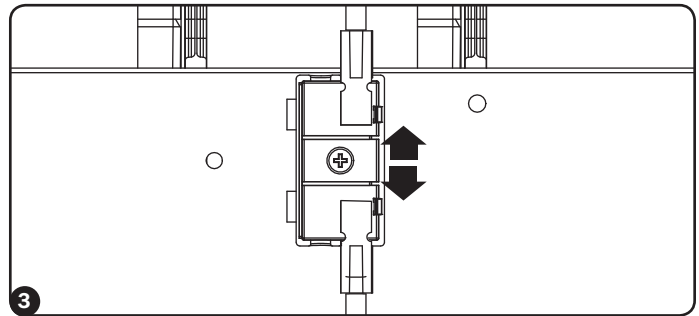


Figure 3-1

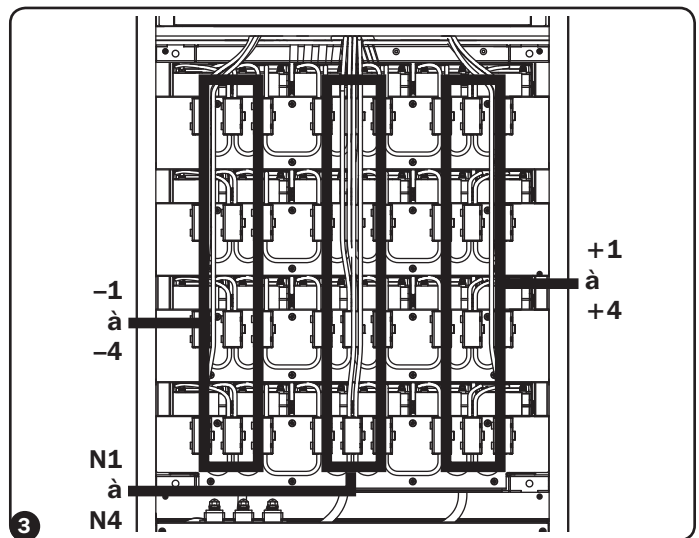


Figure 3-2

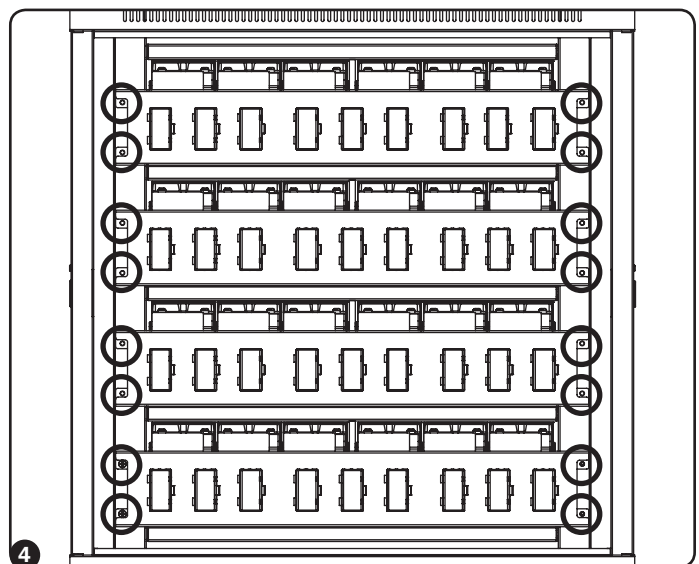
1. Déconnectez les câbles +1, +2, +3 et +4 sur la droite.
2. Déconnectez les câbles -1, -2, -3 et -4 sur la gauche.
3. Déconnectez les câbles N1, N2, N3 et N4 au centre.

- 4 Retirer les vis retenant les supports de câblage. Retirer les supports.
- 5 Retirer délicatement chaque chaîne de batteries utilisée en la tirant par sa languette. Insérer la nouvelle chaîne de batteries dans la fente.
- 6 Utiliser les vis retirées à l'étape 4 pour rattacher les supports de câblage.
- 7 Dans l'ordre inverse de l'étape 3 (4,3,2,1), reconnecter les bornes des batteries. Se référer à la Figure 3-2 pour l'ensemble de l'installation des batteries.

Important! S'assurer que tous les câbles avec un +, - ou N sont correctement connectés à leur connecteur correspondant. Une mauvaise connexion pourrait causer des dommages au module de batteries et/ou à l'onduleur. Veuillez vous référer aux étiquettes blanches fixées aux câbles et aux étiquettes sur les boîtiers des bornes pour assurer une bonne connexion.

Une fois toutes les connexions en place, fermer les boîtiers des bornes.

- 8 Configurer le disjoncteur CC en position (« I ») pour reprendre le fonctionnement normal.



4. Caractéristiques techniques

Batterie	
Tension CC du système	+/- 144 V CC
Type de batterie	12 V 9 Ah
Nombre de batteries	96
Module de batteries Ah	36
Connexion UPS	À raccordement fixe (bloc de jonction à 3 pôles)
Physique	
Dimensions de l'appareil (H x l x P)	1 999 x 1 016 x 749 mm/23,5 x 30,08 x 33,58 po
Poids de l'appareil	350 kg/771,62 lb
Matériaux de construction	Acier
Facteur de forme du module de batteries	Tour
Environnement	
Température d'entreposage	-20 °C à 40 °C/-4 °F à 104 °F
Température de fonctionnement	0 °C à 40 °C/32 °F à 104 °F
Élévation fonctionnelle	0 à 3 000 m/0 à 10 000 pi
Humidité	5 à 95 % HR (sans condensation)

5. Recyclage de l'onduleur et des batteries

Les batteries peuvent présenter un risque de décharge électrique et de brûlures causées par les courants élevés des courts-circuits. Prendre les précautions appropriées. Ne pas jeter les batteries dans le feu. Ne pas ouvrir les batteries. Ne pas créer de court-circuit ou de pont entre les bornes de la batterie avec un quelconque objet. Débrancher et éteindre l'onduleur avant de procéder au remplacement des batteries. Utiliser des outils ayant des poignées isolées. Le remplacement des batteries doit être effectué uniquement par un personnel d'entretien agréé utilisant des batteries de même type et de même numéro (plomb-acide scellé). Les batteries sont recyclables. Se référer aux codes locaux pour connaître les exigences sur la mise au rebut des batteries ou visiter <http://www.tripplite.com/support/recycling-program> pour obtenir plus de renseignements au sujet du recyclage.

6. Entreposage et réparations

Stockage

Si la source de chargement reste éteinte pendant une période prolongée, elle doit être mise en marche périodiquement pour permettre aux batteries de se recharger. La source de chargement doit être mise en marche et les batteries doivent être rechargées au moins pendant une période de 24 heures ininterrompue tous les 3 mois. Ne pas recharger les batteries périodiquement peut endommager définitivement les batteries.

Entretien

Votre produit Tripp Lite est couvert par la garantie décrite dans ce manuel. Une variété de garantie prolongées et de programmes de service sur place sont également disponibles chez Tripp Lite. Pour plus de renseignements sur le service, visitez www.tripplite.com/support. Avant de retourner votre produit pour entretien ou réparation, suivez les étapes suivantes :

1. Relisez les directives d'installation et de fonctionnement de ce manuel afin de vous assurer que le problème n'a pas pour origine une mauvaise lecture des directives.
2. Si le problème persiste, ne pas communiquer ou renvoyer le produit au vendeur. À la place, visitez www.tripplite.com/support.
3. Si le problème nécessite une réparation, visitez www.tripplite.com/support et cliquez sur le lien Product Returns (retour du produit). De cet endroit, vous pouvez demander un numéro d'autorisation de retour de matériel (RMA) qui est exigé pour une réparation. Ce formulaire en ligne simple vous demandera le numéro de modèle et le numéro de série de votre unité ainsi que d'autres renseignements généraux concernant l'acheteur. Le numéro RMA, ainsi que les instructions concernant le transport vous seront acheminées par courriel. Tout dommage (direct, indirect, spécial ou fortuit) survenu au produit pendant le transport à Tripp Lite ou à un centre de service autorisé Tripp Lite est exclu de la garantie. Les produits expédiés à Tripp Lite ou à un centre de service autorisé doivent être prépayés. Inscrire le numéro RMA sur le paquet. Si le produit est encore couvert par la garantie de deux ans, joindre une copie de votre facture d'achat. Retourner le produit pour réparation par un transporteur assuré à l'adresse qui vous a été donnée lorsque vous avez demandé le RMA.

7. Garantie

GARANTIE LIMITÉE DE 1 AN

Le vendeur garantit que ce produit, s'il est utilisé selon toutes les directives applicables, est exempt de défauts d'origine de matériel et de main-d'oeuvre pour une période de un (1) an à partir de la date initiale d'achat. Si le produit s'avère défectueux en matériel ou en main-d'oeuvre durant cette période, le vendeur réparera ou remplacera le produit à sa discrétion. Vous pouvez obtenir un service selon cette garantie seulement en livrant ou en expédiant le produit (avec les frais d'expédition et de livraison prépayés) à : Tripp Lite, 1111 W. 35th Street, Chicago, IL 60609 USA. Le vendeur paiera les frais d'expédition de retour. Visitez www.tripplite.com/support avant de retourner de l'équipement pour réparation.

CETTE GARANTIE NE S'APPLIQUE PAS À L'USURE NORMALE OU AUX DOMMAGES RÉSULTANT D'ACCIDENTS, DEMAUVAIS USAGE, D'ABUS OU DE NÉGLIGENCE. LE VENDEUR N'OFFRE AUCUNE GARANTIE EXPLICITE AUTRE QUE LA GARANTIE EXPRESSÉMENT SIGNIFIÉE À LA PRÉSENTE. EXCEPTÉ SELON LES LIMITES DE LA LOI APPLICABLE, TOUTES LES GARANTIES IMPLICITES, Y COMPRIS TOUTES LES GARANTIES DE QUALITÉ MARCHANDE OU DE CONFORMITÉ À UN BESOIN PARTICULIER, SONT LIMITÉES EN DURÉE À LA PÉRIODE DE GARANTIE ÉNONCÉE CI DESSUS ET CETTE GARANTIE EXCLUE EXPLICITEMENT TOUS LES DOMMAGES ACCESSOIRES OU CONSÉCUTIFS. Certaines juridictions ne permettent pas la limitation de la durée d'une garantie implicite et certaines juridictions ne permettent pas la limitation ou l'exclusion de dommages accessoires ou consécutifs, en conséquence, les limitations et les exclusions ci dessus pourraient ne pas s'appliquer à vous. Cette garantie vous donne des droits légaux spécifiques et vous pourriez avoir d'autres droits selon les juridictions.

MISE EN GARDE : L'utilisateur devra prendre soin de déterminer avant de l'utiliser si cet appareil convient, est adéquat et sûr pour l'usage prévu. Puisque les applications individuelles sont sujettes à de grandes variations, le fabricant ne fait aucune représentation ni n'offre de garantie quand à l'applicabilité et à la conformité de ces appareils pour une application particulière.

Numéros d'identification de conformité aux règlements

À des fins de certification et d'identification de conformité aux règlements, votre produit Tripp Lite a reçu un numéro de série unique. Ce numéro se retrouve sur la plaque signalétique du produit, avec les inscriptions et informations d'approbation requises. Lors d'une demande d'information de conformité pour ce produit, utilisez toujours le numéro de série. Il ne doit pas être confondu avec le nom de la marque ou le numéro de modèle du produit.

L'information de conformité DEEE pour les clients de Tripp Lite et recycleurs (Union européenne)



Sous les directives et règlements de déchet d'équipements électrique et électronique (DEEE), lorsque les clients achètent le matériel électrique et électronique neuf de Tripp Lite ils sont autorisés à :

- Envoyer le vieux matériel pour le recyclage sur une base de un-contre-un et en nature (ceci varie selon le pays)
- Renvoyer le matériel neuf pour recyclage quand ceci devient éventuellement un rebut.

La politique de Tripp Lite en est une d'amélioration continue. Les spécifications sont sujettes à changement sans préavis.



1111 W. 35th Street, Chicago, IL 60609 USA • www.tripplite.com/support