

Owner's Manual

HDMI + IR Control over Cat5 Extender Kit

Model: B126-1A1-IR

PROTECT YOUR INVESTMENT!

Register your product for quicker service
and ultimate peace of mind.

You could also win an ISOBAR6ULTRA
surge protector—a \$100 value!

www.tripplite.com/warranty



1111 W. 35th Street, Chicago, IL 60609 USA • www.tripplite.com/support

Copyright © 2016 Tripp Lite. All rights reserved.

Package Includes

- Transmitter and Receiver Units
- IR-TX and IR-RX Cables
- Screwdriver for Equalization Adjustment
- (x2) External Power Supplies with 1-15P Plugs
(Input: 100-240V, 50/60Hz; 0.5A Output: 5V, 2A)
- (x2) Mounting Hardware Kits
- Owner's Manual

Optional Accessories

- N202-Series Cat6, 24 AWG Solid Wire Patch Cables
 - P568-Series High Speed HDMI Cables
 - P569-XXX-LOCK* High Speed HDMI Cables with Ethernet and Locking Connectors
 - B110-INT International AC Adapter
- * Available in lengths up to 15 ft., with XXX referring to length (e.g. 015 = 15 ft., 006 = 6 ft., etc.)

Product Features

- Extends a 1080p (60 Hz) signal up to 125 ft. (38 m) from the source
- IR Remote Control functionality lets you control your Blu-ray™ player from the extended monitor
- Features an additional HDMI port on the transmitter unit for connecting a local monitor
- Supports 7.1 channel surround sound audio
- Receiver unit features built-in Equalization control for video image adjustment
- 3D ready and HDCP compatible
- Includes mounting hardware that allows both the transmitter and receiver units to be wallmounted, rackmounted or pole mounted
- Plug-and-play; no software or drivers required

Mounting Instructions

The B126-1A1-IR includes mounting hardware for a variety of mounting options. The following images show the different ways the included mounting brackets can be attached.

Wallmount 1



Wallmount 2



19" Rackmount



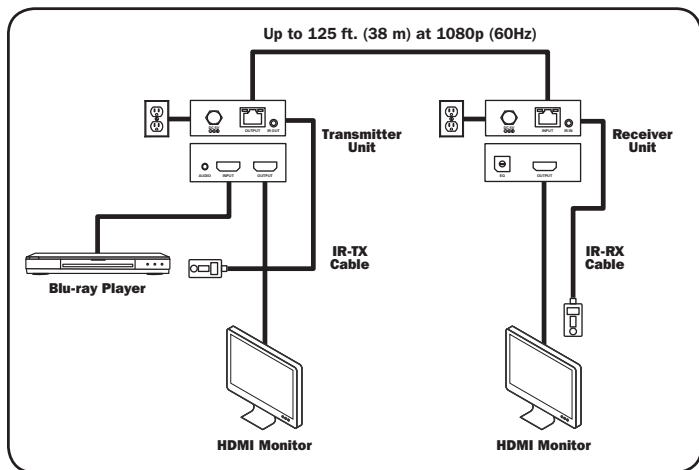
Pole Mount



Installation

Notes:

- Test to ensure the entire installation works properly before pulling cables through ceilings/walls.
- To achieve maximum distance and performance, use 24 AWG solid wire Cat5e/6 cable. Using stranded wire Cat5e/6 cable or cable with a gauge size higher than 24 AWG will result in shorter extension distance. All Tripp Lite N202-Series Cat6 cables are made with 24 AWG solid wire cabling.



Installation

1. Make sure all equipment being connected is powered off.
2. Connect the HDMI source to the transmitter unit's HDMI Input port.
3. **Optional:** Connect an HDMI monitor to the transmitter unit's OUTPUT port using a P569-XXX-LOCK* High Speed HDMI Cable with Ethernet and Locking Connector.
4. Connect the IR-TX cable to the IR port on the transmitter unit.
Note: *The IR-TX cable transmits the IR signal to the device being controlled. Locate the IR-TX unit in an area with clear line of sight to the source (e.g. Blu-ray player).*
5. Connect the external power supply to the transmitter unit, then plug the external power supply into a Tripp Lite Surge Protector, Uninterruptible Power Supply (UPS) or Power Distribution Unit (PDU).
6. Using Cat5e/6 cable, connect the transmitter unit's RJ45 Output port to the receiver unit's RJ45 Input port.
7. Using a P569-XXX-LOCK* High Speed HDMI Cable with Ethernet and Locking connector, connect the HDMI monitor to the receiver unit's HDMI Output port.
8. Connect the IR-RX cable to the IR port on the receiver unit.
Note: *The IR-RX cable receives the IR signal from a remote control. Locate the IR-RX unit in an area with a clear line of sight to the remote control.*
9. Connect the external power supply to the receiver unit, then plug the external power supply into a Tripp Lite Surge Protector, UPS or PDU.
10. Turn on the power to all connected equipment.
11. If necessary, use the equalization control to adjust the video image.

Note: *An improper Equalization setting can result in no image being displayed at all. If an image is not displayed on your monitor, try adjusting the Equalization.*

* Available in lengths up to 15 ft., with XXX referring to length (e.g. 015 = 15 ft., 006 = 6 ft., etc.)

Troubleshooting

If you are unable to receive an acceptable image after following the installation instructions, try the troubleshooting tips below.

- 1. Are the external power supplies included with the product connected and plugged into a working power source?** For the product to function properly, the transmitter and receiver must be connected to and receiving power from an external power supply.
- 2. Was the power to the HDMI source turned off prior to installation?** If not, restart.
- 3. What resolution are you trying to attain?** See the **Product Features** and **Installation** sections in this manual for details on maximum distance and resolution. The shorter the extension distance, the higher the resolution. If you are not able to receive an acceptable image, try lowering your computer's video resolution or adjusting the refresh rate.
- 4. What type of cabling are you using?** Inferior cabling can result in poor performance. As such, it is important to use cables that can support the desired video resolution. To achieve maximum distance and resolution, 24 AWG solid-wire UTP cable (such as Tripp Lite's N202-Series cables) must be used.
- 5. Test your cables to ensure they are working properly.** For example, connect your Cat5e/6 cable between a computer and a network to verify that it establishes a network connection.
- 6. Are any patch panels or other devices connected between the transmitter and receiver units?** Tripp Lite's HDMI over Cat5 extender kits are designed for direct connection between the transmitter and receiver via UTP cable. The more connection points between the source and the remote monitor, the more likely signal degradation will occur, causing poor performance. If you have a patch panel or other device in between, it should be removed from the installation.

Troubleshooting

- 7. Is a splitter, switch or other device in between the computer and transmitter, or in between the receiver and display?** Tripp Lite's HDMI over Cat5 extender kits are designed for direct connection between the transmitter and source computer, in addition to a direct connection between the receiver and the display. If you have a splitter, switch, or other device in between, it should be removed from the installation.
- 8. Check your cabling for any damage that may have occurred during installation.** If a cable connector is loosened as a result of being pulled through ceilings/walls or the cable jacket is damaged, causing the wiring to be exposed, you will not be able to achieve maximum performance.
- 9. Are the transmitter and/or receiver units located in an area that exposes them to elevated temperatures?** If the product is overheating, it will not function properly.

Warranty and Product Registration

One-Year Warranty

TRIPP LITE warrants its products to be free from defects in materials and workmanship for a period of one (1) year from the date of initial purchase. TRIPP LITE's obligation under this warranty is limited to repairing or replacing (at its sole option) any such defective products. To obtain service under this warranty, you must obtain a Returned Material Authorization (RMA) number from TRIPP LITE or an authorized TRIPP LITE service center. Products must be returned to TRIPP LITE or an authorized TRIPP LITE service center with transportation charges prepaid and must be accompanied by a brief description of the problem encountered and proof of date and place of purchase. This warranty does not apply to equipment, which has been damaged by accident, negligence or misapplication or has been altered or modified in any way.

EXCEPT AS PROVIDED HEREIN, TRIPP LITE MAKES NO WARRANTIES, EXPRESS OR IMPLIED, INCLUDING WARRANTIES OF MERCHANTABILITY AND FITNESS FOR A PARTICULAR PURPOSE.

Some states do not permit limitation or exclusion of implied warranties; therefore, the aforesaid limitation(s) or exclusion(s) may not apply to the purchaser.

EXCEPT AS PROVIDED ABOVE, IN NO EVENT WILL TRIPP LITE BE LIABLE FOR DIRECT, INDIRECT, SPECIAL, INCIDENTAL OR CONSEQUENTIAL DAMAGES ARISING OUT OF THE USE OF THIS PRODUCT, EVEN IF ADVISED OF THE POSSIBILITY OF SUCH DAMAGE. Specifically, TRIPP LITE is not liable for any costs, such as lost profits or revenue, loss of equipment, loss of use of equipment, loss of software, loss of data, costs of substitutes, claims by third parties, or otherwise.

Product Registration

Visit www.triplite.com/warranty today to register your new Tripp Lite product. You'll be automatically entered into a drawing for a chance to win a FREE Tripp Lite product!*

* No purchase necessary. Void where prohibited. Some restrictions apply. See website for details.

Warranty and Product Registration

FCC Notice, Class B

This device complies with part 15 of the FCC Rules. Operation is subject to the following two conditions: (1) This device may not cause harmful interference, and (2) this device must accept any interference received, including interference that may cause undesired operation.

Note: This equipment has been tested and found to comply with the limits for a Class B digital device, pursuant to part 15 of the FCC Rules. These limits are designed to provide reasonable protection against harmful interference in a residential installation. This equipment generates, uses and can radiate radio frequency energy and, if not installed and used in accordance with the instructions, may cause harmful interference to radio communications. However, there is no guarantee that interference will not occur in a particular installation. If this equipment does cause harmful interference to radio or television reception, which can be determined by turning the equipment off and on, the user is encouraged to try to correct the interference by one or more of the following measures:

- Reorient or relocate the receiving antenna.
- Increase the separation between the equipment and receiver.
- Connect the equipment into an outlet on a circuit different from that to which the receiver is connected.
- Consult the dealer or an experienced radio/TV technician for help.

Any changes or modifications to this equipment not expressly approved by Tripp Lite could void the user's authority to operate this equipment.

WEEE Compliance Information for Tripp Lite Customers and Recyclers (European Union)



Under the Waste Electrical and Electronic Equipment (WEEE) Directive and implementing regulations, when customers buy new electrical and electronic equipment from Tripp Lite they are entitled to:

- Send old equipment for recycling on a one-for-one, like-for-like basis (this varies depending on the country)
- Send the new equipment back for recycling when this ultimately becomes waste

Use of this equipment in life support applications where failure of this equipment can reasonably be expected to cause the failure of the life support equipment or to significantly affect its safety or effectiveness is not recommended. Do not use this equipment in the presence of a flammable anesthetic mixture with air, oxygen or nitrous oxide.

Tripp Lite has a policy of continuous improvement. Specifications are subject to change without notice.



1111 W. 35th Street, Chicago, IL 60609 USA • www.tripplite.com/support