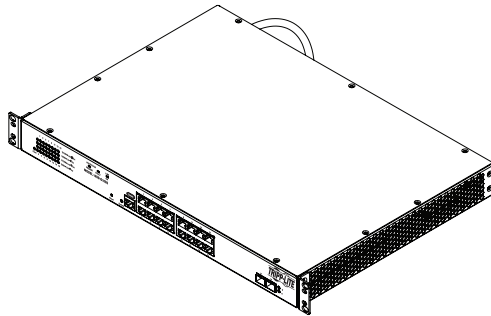


Owner's Manual

Rackmount Managed Network Switch with Built-in PDU and isobar[®] Surge Protection

Models: NSS-G16D2, NSS-G24D2
(Series Number: AG-014D)

Español 9 • Français 17



PROTECT YOUR INVESTMENT!

Register your product for quicker service
and ultimate peace of mind.

You could also win an
ISOBAR6ULTRA surge protector—
a \$100 value!



www.tripplite.com/warranty



1111 W. 35th Street, Chicago, IL 60609 USA • www.tripplite.com/support

Copyright © 2016 Tripp Lite. All rights reserved.

Important Safety Instructions



SAVE THESE INSTRUCTIONS!

This manual contains important instructions and warnings that should be followed during the installation, operation and storage of this Tripp Lite product. Failure to heed these warnings may affect your warranty.

PDU/Switch Location Warnings

- The switch is designed for indoor use only, in a controlled environment, away from excess moisture, temperature extremes, conductive contaminants, dust or direct sunlight.
- For best performance, maintain an indoor temperature between 32° F and 104° F (0° C and 40° C) with relative humidity between 10% and 90% (non-condensing).
- Install in accordance with National Electrical Code standards. Be sure to use the proper overcurrent protection for the installation in accordance with the plug/equipment rating.
- Leave adequate space around all sides of the switch for proper ventilation.
- Keep the switch away from high-frequency, strong-current devices (e.g., radio transmitting stations, transmitters and broadband amplifiers).
- Use electromagnetic shielding (if required).
- For rackmount configuration, ensure both the rack and switch are properly grounded.
- If the switch is not rack mounted, securely place it on a sturdy, flat surface.
- The electrical outlets supplying power to the equipment should be installed near the equipment and easily accessible.
- Improper installation can cause product damage that is not covered by the warranty.
- Do not expose the switch's connected networking cables to outdoor elements.
- CAUTION – Do not install this device if there is not at least 30 feet (10 meters) or more of wire between the electrical outlet and the electrical service panel.
- Do not use this product near water (e.g., in a wet basement, or near a swimming pool).

PDU/Switch Connection Warnings

- Use of this equipment in life support applications where failure of this equipment can reasonably be expected to cause the failure of the life support equipment or to significantly affect its safety or effectiveness is not recommended. Do not use this equipment in the presence of a flammable anesthetic mixture with air, oxygen or nitrous oxide.
- Keep the switch's input power off during installation.
- Use only the power cord that came included with the switch.
- Make sure the power supply voltage matches the specifications indicated on the switch.
- The total power requirement for equipment connected to the switch must not exceed the maximum load rating for the PDU's circuit breaker.
- Do not connect the switch to an ungrounded outlet or to extension cords or adapters that eliminate the connection to ground.
- Do not drill into or attempt to open any part of the switch housing. There are no user-serviceable parts inside.
- Do not attempt to modify the switch, including the input plugs and power cables.
- Do not attempt to use the switch if any part of it becomes damaged.
- Make sure network cables are properly seated. A clicking sound will be made when a cable is installed correctly.
- If the power cord is damaged, do not attempt to connect the switch. Contact a Tripp Lite Service Representative for assistance.
- Never attempt to install or use the switch during a thunderstorm.

Accessing the Management Configuration Interface

After powering the switch for the first time, the Network Smart Switch can be configured using a Web browser. To access the switch, the management computer and the switch must be set to the same subnet. The IP address of the management computer must be configured manually. The switch's default IP address is 192.168.1.200 and the default subnet mask is 255.255.255.0.

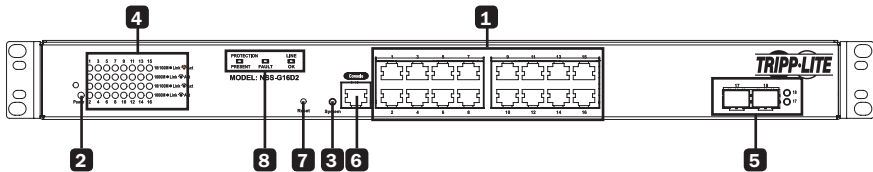
The Network Smart Switch contains software for viewing, changing and monitoring how it works. This management software is not required for the switch to function. The ports can be used without the management software. However, the management software enables the setup of VLAN, Trunking and additional features. The use of these features can also improve the efficiency of the switch, which results in the improvement of its overall performance as well as the performance of the network.

For more information about configuring the switch, visit www.tripplite.com to view the Network Smart Switch Web Configuration Guide.

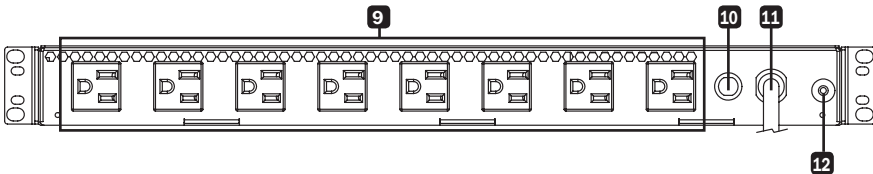
Product Features

NSS-G16D2

Front Panel:



Rear Panel:



- 1 Gigabit Ethernet Ports:** These 16 twisted-pair RJ45 ports support auto-negotiable 10/100/1000 Mbps and auto MDI/MDIX cross-over detection functions for true “plug and play” capability.
Note: Not compatible with PoE (Power over Ethernet) applications.
- 2 Power ON/OFF LED:** An LED illuminates to indicate the switch is receiving power.
- 3 System Status LED:** This LED will illuminate solid green when the system is loading and will blink to indicate the system is ready.
- 4 Port Status LEDs:** Of these 32 LEDs, 16 illuminate orange for 10/100 Mbps LEDs connection status and blink to indicate activity on each port. When the switch discovers a 1000 Mbps connection, the other 16 LEDs will illuminate green for connection status and blink to indicate activity on each port.
- 5 MiniGBIC:** The MiniGBIC (gigabit interface converter) ports are connection points for MiniGBIC modules so the switch can uplink to other switches using optical fiber. When the MiniGBIC ports are active, the LEDs adjacent to the ports will react to interface traffic.

Product Features

6 Console Port: This RJ45 port is used for command line access to the switch.

7 Reset Button: Pressing the reset button performs a factory reset.

Note: This button is semi-recessed and will need to be pressed with a small object, such as a paperclip.

8 AC Power Diagnostic LEDs: The three LEDs on the front panel show current power conditions (left to right):

Protection Present (Green LED): Indicates surge-suppression components are intact and providing full protection against spikes and surges. This LED should illuminate any time the unit is plugged in and power is present. If the Protection Present LED does not illuminate, some of the surge suppression components are not functioning and the unit should be returned for repair as soon as possible. You may still use the unit; however, connected equipment will be protected from spikes and surges at a lesser level than normal.

Fault (Red LED)*: Indicates a wiring fault has been detected. If this LED illuminates at any time while the unit is plugged in, the fault should be repaired by a qualified electrician as soon as possible. This LED indicates the phases are reversed, ground is missing or some other sort of wiring error exists in the circuit the unit is plugged into. The Line Fault detector circuitry will identify most common wiring faults, but will not necessarily detect every possible type of fault.

Line OK (Green LED): Indicates that nominal AC power is present with no wiring faults detected. When this LED is illuminated, AC power is safe for connected equipment.

9 NEMA 5-15R Outlets: This switch includes 8 NEMA 5-15R receptacles.

10 Circuit Breaker: If the current drawn by the equipment connected to the Smart Switch outlets exceeds the Maximum Load Rating, the 12A thermal circuit breaker will trip to prevent possible damage and its plunger will pop up. If this happens, disconnect excess equipment and allow the breaker to cool at least one minute before depressing the plunger to reset the unit.

11 AC Input: Permanently attached input cord with a NEMA 5-15P input plug.

12 Grounding Lug: Use this screw to connect your switch to ground.

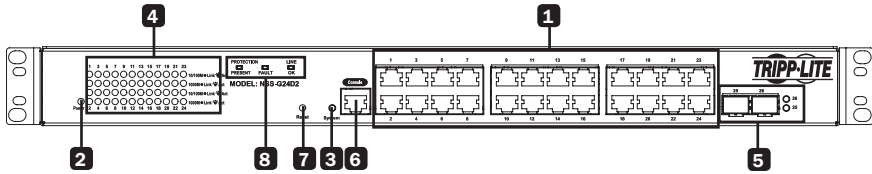
*** If the Line Fault (Red LED) indicator illuminates, carefully check the AC receptacle the unit is plugged into. The receptacle must be tight and securely grounded. A loose AC receptacle may cause the Line Fault LED to illuminate. The Red LED indicates the presence of a wiring fault, but does not indicate the exact nature of the fault. Only qualified electricians should make necessary outlet repairs.**

If the Line Fault indicator illuminates and power is not present at the outlets, the PDU's surge-suppression components have been compromised as a result of surge damage. For service, contact Tripp Lite Customer Support at www.tripplite.com/support to remedy the problem or receive instructions about return, repair or exchange.

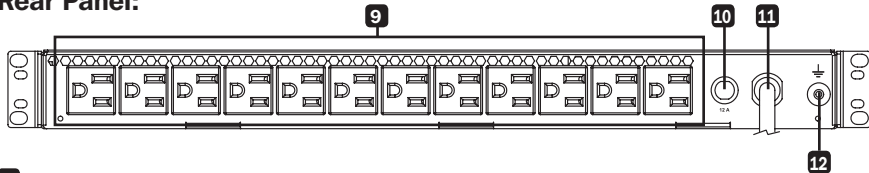
Product Features

NSS-G24D2

Front Panel:



Rear Panel:



- 1 Gigabit Ethernet Ports:** These 24 twisted-pair RJ45 ports support auto-negotiable 10/100/1000 Mbps and auto MDI/MDIX cross-over detection functions for true “plug and play” capability.
Note: Not compatible with PoE (Power over Ethernet) applications.
- 2 Power ON/OFF LED:** An LED illuminates to indicate the switch is receiving power.
- 3 System Status LED:** This LED will illuminate solid green when the system is loading and will blink to indicate the system is ready.
- 4 Port Status LEDs:** Of these 48 LEDs, 24 illuminate orange for 10/100 Mbps LEDs connection status and blink to indicate activity on each port. When the switch discovers a 1000 Mbps connection, the other 24 LEDs will illuminate green for connection status and blink to indicate activity on each port.
- 5 MiniGBIC:** The MiniGBIC (gigabit interface converter) ports are connection points for MiniGBIC modules, so the switch can uplink to other switches using optical fiber. When the MiniGBIC ports are active, the LEDs adjacent to the ports will react to interface traffic.
- 6 Console Port:** This RJ45 port is used for command line access to the switch.
- 7 Reset Button:** Pressing the reset button performs a factory reset.

Note: This button is semi-recessed and will need to be pressed with a small object, such as a paperclip.

Product Features

- 8 AC Power Diagnostic LEDs:** The three LEDs on the front panel show current power conditions (left to right):

Protection Present (Green LED): Indicates surge-suppression components are intact and providing full protection against spikes and surges. This LED should illuminate any time the unit is plugged in and power is present. If the Protection Present LED does not illuminate, some of the surge suppression components are not functioning and the unit should be returned for repair as soon as possible. You may still use the unit; however, connected equipment will be protected from spikes and surges at a lesser level than normal.

Fault (Red LED)*: Indicates a wiring fault has been detected. If this LED illuminates at any time while the unit is plugged in, the fault should be repaired by a qualified electrician as soon as possible. This LED indicates the phases are reversed, ground is missing or some other sort of wiring error exists in the circuit the unit is plugged into. The Line Fault detector circuitry will identify most common wiring faults, but will not necessarily detect every possible type of fault.

Line OK (Green LED): Indicates that nominal AC power is present with no wiring faults detected. When this LED is illuminated, AC power is safe for connected equipment.

- 9 NEMA 5-15R Outlets:** This switch includes 12 NEMA 5-15R receptacles.
- 10 Circuit Breaker:** If the current drawn by the equipment connected to the Smart Switch outlets exceeds the Maximum Load Rating, the 12A thermal circuit breaker will trip to prevent possible damage and its plunger will pop up. If this happens, disconnect excess equipment and allow the breaker to cool at least one minute before depressing the plunger to reset the unit.
- 11 AC Input:** Permanently attached input cord with a NEMA 5-15P input plug.
- 12 Grounding Lug:** Use this screw to connect your switch to ground.

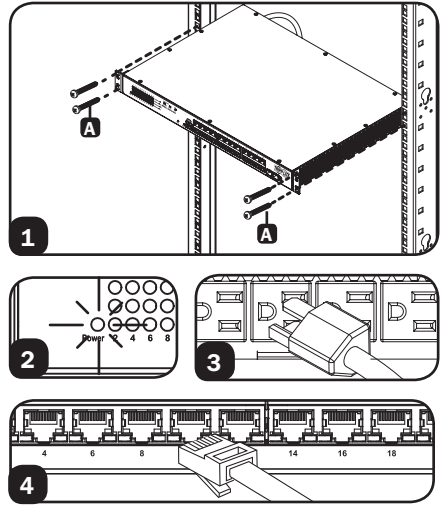
* **If the Line Fault (Red LED) indicator illuminates, carefully check the AC receptacle the unit is plugged into. The receptacle must be tight and securely grounded. A loose AC receptacle may cause the Line Fault LED to illuminate. The Red LED indicates the presence of a wiring fault, but does not indicate the exact nature of the fault. Only qualified electricians should make necessary outlet repairs.**

If the Line Fault indicator illuminates and power is not present at the outlets, the PDU's surge-suppression components have been compromised as a result of surge damage. For service, contact Tripp Lite Customer Support at www.tripplite.com/support to remedy the problem or receive instructions about return, repair or exchange.

Installation

1U Rackmount Installation

- 1** Mount the switch using four user-supplied rackmount screws **A**. The user must determine the fitness of the rackmount screws to hold the unit in the rack before installation.
- 2** Connect the switch to a properly grounded outlet. The POWER LED will illuminate when the switch turns on.
- 3** Connect equipment to the PDU outlets. Make sure the load connected does not exceed the PDU's circuit breaker rating.
- 4** Connect network cables to the network switch.



Warranty and Product Registration

5-Year Limited Warranty

TRIPP LITE warrants its products to be free from defects in materials and workmanship for a period of five (5) years from the date of initial purchase. TRIPP LITE's obligation under this warranty is limited to repairing or replacing (at its sole option) any such defective products. To obtain service under this warranty, you must obtain a Returned Material Authorization (RMA) number from TRIPP LITE or an authorized TRIPP LITE service center. Products must be returned to TRIPP LITE or an authorized TRIPP LITE service center with transportation charges prepaid and must be accompanied by a brief description of the problem encountered and proof of date and place of purchase. This warranty does not apply to equipment which has been damaged by accident, negligence or misapplication or has been altered or modified in any way.

EXCEPT AS PROVIDED HEREIN, TRIPP LITE MAKES NO WARRANTIES, EXPRESS OR IMPLIED, INCLUDING WARRANTIES OF MERCHANTABILITY AND FITNESS FOR A PARTICULAR PURPOSE. Some states do not permit limitation or exclusion of implied warranties; therefore, the aforesaid limitation(s) or exclusion(s) may not apply to the purchaser.

EXCEPT AS PROVIDED ABOVE, IN NO EVENT WILL TRIPP LITE BE LIABLE FOR DIRECT, INDIRECT, SPECIAL, INCIDENTAL OR CONSEQUENTIAL DAMAGES ARISING OUT OF THE USE OF THIS PRODUCT, EVEN IF ADVISED OF THE POSSIBILITY OF SUCH DAMAGE. Specifically, TRIPP LITE is not liable for any costs, such as lost profits or revenue, loss of equipment, loss of use of equipment, loss of software, loss of data, costs of substitutes, claims by third parties, or otherwise.

PRODUCT REGISTRATION

Visit www.tripplite.com/warranty today to register your new Tripp Lite product. You'll be automatically entered into a drawing for a chance to win a FREE Tripp Lite product!*

* No purchase necessary. Void where prohibited. Some restrictions apply. See website for details.

Regulatory Compliance Identification Numbers

For the purpose of regulatory compliance certifications and identification, your Tripp Lite product has been assigned a unique series number. The series number can be found on the product nameplate label, along with all required approval markings and information. When requesting compliance information for this product, always refer to the series number. The series number should not be confused with the marketing name or model number of the product.

FCC Notice, Class A

This device complies with part 15 of the FCC Rules. Operation is subject to the following two conditions: (1) This device may not cause harmful interference, and (2) this device must accept any interference received, including interference that may cause undesired operation.

Note: This equipment has been tested and found to comply with the limits for a Class A digital device, pursuant to part 15 of the FCC Rules. These limits are designed to provide reasonable protection against harmful interference when the equipment is operated in a commercial environment. This equipment generates, uses, and can radiate radio frequency energy and, if not installed and used in accordance with the instruction manual, may cause harmful interference to radio communications. Operation of this equipment in a residential area is likely to cause harmful interference in which case the user will be required to correct the interference at his own expense. The user must use shielded cables and connectors with this equipment. Any changes or modifications to this equipment not expressly approved by Tripp Lite could void the user's authority to operate this equipment.

Tripp Lite has a policy of continuous improvement. Specifications are subject to change without notice.



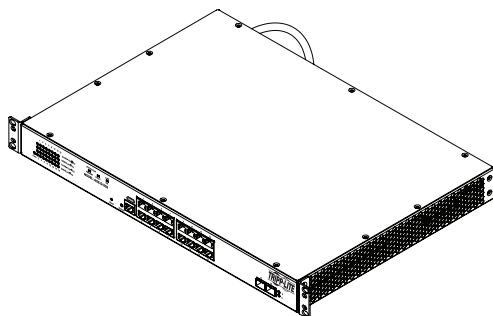
1111 W. 35th Street, Chicago, IL 60609 USA • www.tripplite.com/support

Manual del Propietario

Switch de Red Administrada para Instalación en Rack con PDU Incorporado y Supresión de Sobretensiones **isobar**[®]

Modelos: NSS-G16D2, NSS-G24D2
(Número de Serie: AG-014D)

English 1 • Français 17



TRIPP·LITE



1111 W. 35th Street, Chicago, IL 60609 EE. UU. • www.tripplite.com/support

Copyright © 2016 Tripp Lite. Todos los derechos reservados.

Instrucciones de Seguridad Importantes



¡CONSERVE ESTAS INSTRUCCIONES!

Este manual contiene instrucciones y advertencias importantes que deben seguirse durante la instalación, operación y almacenamiento de este producto. La omisión en la observancia de estas advertencias puede afectar su garantía.

Advertencias de Ubicación del PDU/Switch

- El switch está diseñado solo para uso en interiores en un entorno controlado lejos de humedad excesiva, temperaturas extremas, contaminantes conductivos, polvo o luz del sol directa.
- Para mejor desempeño, mantenga una temperatura en interiores entre 0 °C y 40 °C [32 °F y 104 °F] con humedad relativa entre 10% y 90% (sin condensación).
- Instale conforme a los estándares de los códigos eléctricos locales. Asegúrese de usar para la instalación la protección adecuada contra sobrecorriente, de acuerdo con la especificación de la clavija o del equipo.
- Deje espacio adecuado alrededor del switch para una ventilación apropiada.
- Mantenga el switch alejado de dispositivos de alta frecuencia y corriente intensa (e.g., estaciones transmisoras de radio, transmisores y amplificadores de banda ancha).
- Use blindaje electromagnético (si se requiere).
- Para configuración para instalación en rack, asegure que el rack y el switch estén conectados apropiadamente a tierra.
- Si el switch no se instala en un rack, colóquelo de forma segura sobre una superficie plana robusta.
- Los tomacorrientes eléctricos que suministran energía al equipo deben instalarse cerca al equipo y ser fácilmente accesibles.
- La instalación incorrecta puede causar daño al producto que no está cubierto por la garantía.
- No exponga los cables de red conectados del switch a los elementos externos.
- PRECAUCIÓN – No instale este dispositivo si no hay al menos 9.14 m [30 pies] o más de cable entre el tomacorriente y el tablero de servicio eléctrico.
- No use este dispositivo cerca del agua (e.g., en un sótano húmedo o una piscina).

Advertencias de Conexión del PDU/Switch

- El uso de este equipo en aplicaciones de soporte de vida en donde la falla de este equipo pueda razonablemente hacer suponer que causará fallas en el equipo de soporte de vida o afecte significativamente su seguridad o efectividad, no está recomendado. No use este equipo en la presencia de una mezcla anestésica inflamable con aire, oxígeno u óxido nítrico.
- Durante la instalación mantenga apagada la alimentación del switch.
- Use solamente el cable de alimentación que viene incluido con el switch.
- Asegure que el voltaje de alimentación concuerde con las especificaciones indicadas en el switch.
- El requisito de energía total para el equipo conectado al switch no debe exceder la capacidad de carga máxima del breaker del PDU.
- No conecte el switch a un tomacorriente que no esté conectado a tierra o cables de extensión o adaptadores que eliminen la conexión a tierra.
- No perfore ni intente abrir ninguna parte del gabinete del switch. No tiene partes a las que el usuario pueda dar servicio.
- No intente modificar el PDU, las clavijas de entrada o los cables de alimentación.
- No intente usar el switch si se daña cualquier parte.
- Asegure que los cables de red asienten apropiadamente. Cuando el cable se instala correctamente se produce un click.
- No intente conectar el switch si está dañado el cable de alimentación. Para asistencia, póngase en contacto con un Representante de Servicio de Tripp Lite.
- Nunca intente instalar o usar el switch durante una tormenta eléctrica.

Acceso a la Interfaz de Configuración de Administración

Después de encender el switch por primera vez, el Switch Inteligente de Red puede configurarse usando un navegador de Web. Para acceder al switch, la computadora de administración y el switch deben configurarse en la misma sub red. La dirección IP de la computadora de administración debe configurarse manualmente. La dirección IP predeterminada del switch es 192.168.1.200 y la máscara de sub red es 255.255.255.0.

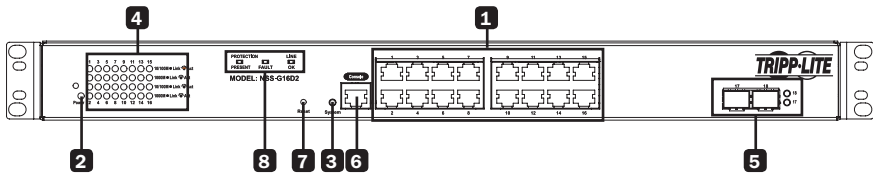
El Switch Inteligente de Red contiene software para visualizar, cambiar y monitorear cómo trabaja. Este software de administración no se requiere para que funcione el switch. Los puertos pueden usarse sin el software de administración. Sin embargo, el software para administración permite la configuración de VLAN, Trunking y características adicionales. El uso de estas características puede además mejorar la eficiencia del switch, lo que resulta en la mejora de su rendimiento en general así como el rendimiento de la red.

Para información adicional sobre la configuración del switch, visite www.tripplite.com para ver la Guía de Configuración en la Web del Interruptor Inteligente de Red.

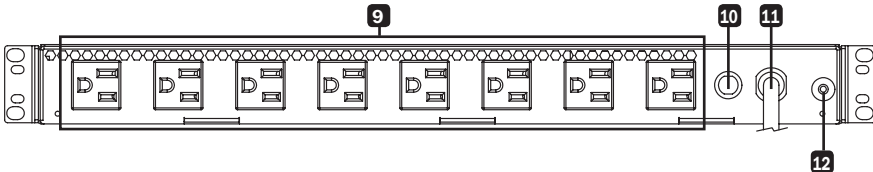
Características del Producto

NSS-G16D2

Panel Frontal:



Panel Posterior:



- 1 Puertos Gigabit Ethernet:** Estos 16 puertos RJ45 de par trenzado soportan 10/100/1000 Mbps auto-negociable y detección automática de cruce MDI/MDIX para capacidad real "Conecte y Use."
Nota: No es compatible con aplicaciones de PoE (Energía sobre la Ethernet).
- 2 LED de Encendido/Apagado:** Un LED enciende para indicar que el switch está recibiendo energía.
- 3 LED de Estado del Sistema:** Este LED encenderá verde permanente cuando el sistema esté cargando y destellará para indicar que el sistema está listo.
- 4 LEDs de Estado del Puerto:** De estos 32 LEDs, 16 se encienden en anaranjado para el estado de conexión de los LEDs de 10/100 Mbps y destellan para indicar actividad en cada puerto. Cuando el switch descubre una conexión de 1000 Mbps, los otros 16 LEDs se encenderán en verde para el estado de la conexión y destellarán para indicar actividad en cada puerto.
- 5 MiniGBIC:** Los puertos MiniGBIC (convertidor de interfaz gigabit) son puntos de conexión para módulos MiniGBIC de modo que el switch pueda conectar a otros switches usando fibra óptica. Cuando están activos los puertos MiniGBIC, los LEDs adyacentes a los puertos reaccionarán al tráfico de la interfaz.

Características del Producto

- 6 Puerto de Consola:** Este puerto RJ45 se usa para que la línea de comando acceda al switch.
- 7 Botón de Restaurar:** Oprimir el botón de restaurar se lleva a cabo una restauración a condiciones de fábrica.

Nota: Este botón está parcialmente hundido y necesitará ser oprimido usando un objeto pequeño, como un clip para papel.

- 8 LEDs de Diagnóstico de Energía de CA:** Los tres LEDs en el panel frontal muestran las condiciones actuales de la energía (de izquierda a derecha):

Protección Presente (LED Verde): Indica que los componentes de supresión de sobretensiones están intactos y suministrando protección completa contra sobretensiones. Este LED debe encenderse siempre que la unidad esté conectada y haya energía presente. Si el LED de Protección Presente no se enciende, algunos de los componentes de supresión contra sobretensiones no están funcionando y la unidad debe regresarse para reparación a la brevedad posible. Puede continuar usando la unidad; sin embargo, los equipos conectados estarán protegidos contra sobretensiones a un nivel menor de lo normal.

Falla (LED Rojo)*: Indica que se ha detectado una falla de cableado. Si este LED se enciende en algún momento mientras la unidad está conectada, la falla debe ser reparada por un electricista calificado a la brevedad posible. Este LED indica que las fases están invertidas, falta la conexión a tierra o existe alguna otra clase de error de cableado en el circuito al que la unidad está conectada. Los circuitos del detector de Falla de Línea identificarán las fallas más comunes del cableado, pero no necesariamente detectarán todos los tipos posibles de falla.

Línea OK (LED Verde): Indica que está presente energía de CA nominal sin fallas de cableado detectadas. Cuando esté LED está encendido, es segura la energía de CA para el equipo conectado.

- 9 Tomacorrientes NEMA 5-15R:** Este switch incluye 8 tomacorrientes NEMA 5-15R.
- 10 Breaker:** Si la corriente consumida por el equipo conectado al Switch Inteligente excede la Especificación de Carga Máxima, el breaker se disparará para evitar posibles daños y su pulsador se elevará. Si esto sucede, desconecte el equipo en exceso y permita que el breaker se enfríe por al menos un minuto antes de oprimir el pulsador para restablecer la unidad.
- 11 Entrada de CA:** Cable de alimentación conectado permanentemente, cuenta con una clavija NEMA 5-15P.
- 12 Terminal de Conexión a Tierra:** Use este tornillo para conectar su switch a tierra.

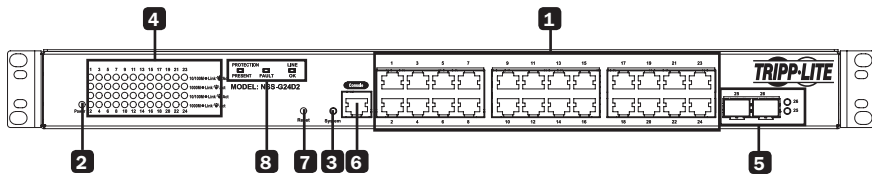
*** Si se enciende el indicador de Falla de Línea (LED Rojo), compruebe cuidadosamente el tomacorriente de CA al que está enchufada la unidad, El tomacorriente debe estar apretado y conectado firmemente a tierra. Un tomacorriente flojo puede causar que se encienda el LED de Falla de Línea. El LED Rojo indica la presencia de una falla de cableado, pero no indica la naturaleza exacta de la falla. Las reparaciones necesarias al tomacorriente debe hacerlas un electricista calificado.**

Si se enciende el indicador de Falla de Línea y no hay energía en los tomacorrientes, se han comprometido los componentes de supresión de sobretensiones del PDU como resultado de daños por sobretensiones. Para servicio, póngase en contacto con Soporte al Usuario de Tripp Lite en www.tripplite.com/support para remediar el problema o recibir instrucciones acerca de la devolución, reparación o cambio.

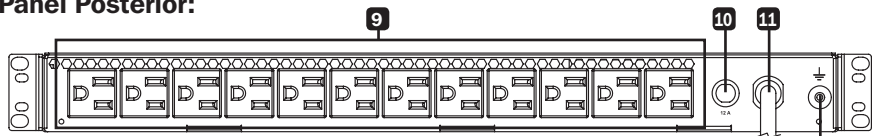
Características del Producto

NSS-G24D2

Panel Frontal:



Panel Posterior:



- 1 Puertos Gigabit Ethernet:** Estos 24 puertos RJ45 de par trenzado soportan 10/100/1000 Mbps auto-negociable y detección automática de cross over MDI/MDIX para una capacidad 100% "Conectar y Usar".

Nota: No es compatible con aplicaciones de PoE (Energía sobre la Ethernet).

- 2 LED de Encendido/Apagado:** Un LED enciende para indicar que el switch está recibiendo energía.
- 3 LED de Estado del Sistema:** Este LED encenderá verde permanente cuando el sistema esté cargando y destellará para indicar que el sistema está listo.
- 4 LEDs de Estado del Puerto:** De estos 48 LEDs, 24 se encienden en anaranjado para el estado de conexión de los LEDs de 10/100 Mbps y destellan para indicar actividad en cada puerto. Cuando el switch descubre una conexión de 1000 Mbps, los otros 24 LEDs se encenderán en verde para el estado de la conexión y destellarán para indicar actividad en cada puerto.
- 5 MiniGBIC:** Los puertos MiniGBIC (convertidor de interfaz gigabit) son puntos de conexión para módulos MiniGBIC de modo que el switch pueda conectar a otros switches usando fibra óptica. Cuando están activos los puertos MiniGBIC, los LEDs adyacentes a los puertos reaccionarán al tráfico de la interfaz.
- 6 Puerto de Consola:** Este puerto RJ45 se usa para que la línea de comando acceda al switch.
- 7 Botón de Restaurar:** Al oprimir el botón de restaurar se efectúa una restauración a condiciones de fábrica.

Nota: Este botón está parcialmente hundido y necesitará ser oprimido usando un objeto pequeño, como un clip para papel.

Características del Producto

- 8 LEDs de Diagnóstico de Energía de CA:** Los tres LEDs en el panel frontal muestran las condiciones actuales de la energía (de izquierda a derecha):

Protección Presente (LED Verde): Indica que los componentes de supresión de sobretensiones están intactos y suministrando protección completa contra sobretensiones. Este LED debe encenderse siempre que la unidad esté conectada y haya energía presente. Si el LED de Protección Presente no se enciende, algunos de los componentes de supresión contra sobretensiones no están funcionando y la unidad debe regresarse para reparación a la brevedad posible. Puede continuar usando la unidad; sin embargo, los equipos conectados estarán protegidos contra sobretensiones a un nivel menor de lo normal.

Falla (LED Rojo)*: Indica que se ha detectado una falla de cableado. Si este LED se enciende en algún momento mientras la unidad está conectada, la falla debe ser reparada por un electricista calificado a la brevedad posible. Este LED indica que las fases están invertidas, falta la conexión a tierra o existe alguna otra clase de error de cableado en el circuito al que la unidad está conectada. Los circuitos del detector de Falla de Línea identificarán las fallas más comunes del cableado, pero no necesariamente detectarán todos los tipos posibles de falla.

Línea OK (LED Verde): Indica que está presente energía de CA nominal sin fallas de cableado detectadas. Cuando esté LED está encendido, es segura la energía de CA para el equipo conectado.

- 9 Tomacorrientes NEMA 5-15R:** Este switch incluye 12 tomacorrientes de NEMA 5-15R.
- 10 Breaker:** Si la corriente consumida por el equipo conectado al Switch Inteligente excede la Especificación de Carga Máxima, el breaker se disparará para evitar posibles daños y su pulsador se elevará. Si esto sucede, desconecte el equipo en exceso y permita que el breaker se enfríe por al menos un minuto antes de oprimir el pulsador para restablecer la unidad.
- 11 Entrada de CA:** Cable de alimentación conectado permanentemente, con una clavija NEMA 5-15P.
- 12 Terminal de Conexión a Tierra:** Use este tornillo para conectar su switch a tierra.

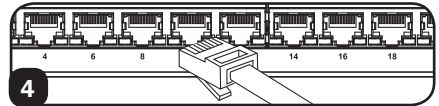
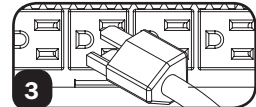
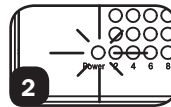
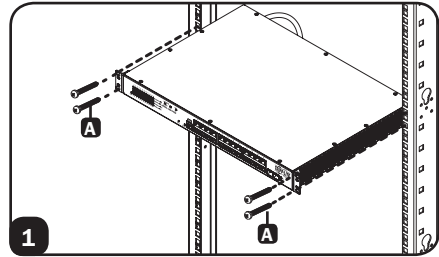
* **Si se enciende el indicador de Falla de Línea (LED Rojo), compruebe cuidadosamente el tomacorriente de CA al que está enchufada la unidad, El tomacorriente debe estar apretado y conectado firmemente a tierra. Un tomacorriente flojo puede causar que se encienda el LED de Falla de Línea. El LED Rojo indica la presencia de una falla de cableado, pero no indica la naturaleza exacta de la falla. Las reparaciones necesarias al tomacorriente debe hacerlas un electricista calificado.**

Si se enciende el indicador de Falla de Línea y no hay energía en los tomacorrientes, se han comprometido los componentes de supresión de sobretensiones del PDU como resultado de daños por sobretensiones. Para servicio, póngase en contacto con Soporte al Usuario de Tripp Lite en www.tripplite.com/support para remediar el problema o recibir instrucciones acerca de la devolución, reparación o cambio.

Instalación

Instalación en 1U de Rack

- 1** Instale el switch usando cuatro tornillos para instalación en rack suministrados por el usuario **A**. Antes de la instalación, el usuario debe determinar la capacidad de los tornillos de para instalación en rack para soportar la unidad en el rack.
- 2** Conecte el switch a un tomacorriente conectado correctamente a tierra. El LED POWER se encenderá cuando se encienda el switch.
- 3** Conecte el equipo a los tomacorrientes del PDU. Asegure que la carga conectada no exceda la especificación del breaker del PDU.
- 4** Conecte los cables de red al switch de red.



Garantía

Garantía Limitada por 5 Años

TRIPP LITE garantiza durante un período de cinco (5) años desde la fecha de compra inicial que este producto no tiene defectos de materiales ni de mano de obra. La obligación TRIPP LITE bajo esta garantía está limitada a la reparación o reemplazo (A su sola discreción) de cualquier producto defectuoso. Para obtener servicio bajo esta garantía, debe obtener un número de Autorización de Devolución de Mercancía (RMA) de TRIPP LITE o de un centro de servicio autorizado de TRIPP LITE. Los productos deben ser regresados a TRIPP LITE o a un centro de servicio autorizado de TRIPP LITE con los cargos de transporte prepagados y deben acompañarse con una breve descripción del problema y un comprobante de la fecha y el lugar de compra. Esta garantía no se aplica a equipos que hayan sido dañados por accidente, negligencia o mal uso, o hayan sido alterados o modificados de alguna manera.

EXCEPTO COMO SE INDICA EN EL PRESENTE, TRIPP LITE NO HACE GARANTÍAS EXPRESAS O IMPLÍCITAS, INCLUIDAS GARANTÍAS DE COMERCIABILIDAD Y ADECUACIÓN PARA UN PROPÓSITO PARTICULAR. Algunos estados no permiten la limitación o exclusión de garantías implícitas; por lo tanto, las limitaciones o exclusiones antes mencionadas pueden no aplicarse al comprador.

EXCEPTO COMO SE INDICA ANTERIORMENTE, EN NINGÚN CASO TRIPP LITE SERÁ RESPONSABLE POR DAÑOS DIRECTOS, INDIRECTOS, ESPECIALES, INCIDENTALES O CONSECUENTES QUE SURJAN DEL USO DE ESTE PRODUCTO, INCLUSO SI SE ADVIERTE SOBRE LA POSIBILIDAD DE TAL DAÑO. Específicamente, TRIPP LITE no es responsable por ningún costo, como pérdida de utilidades o ingresos, pérdida de equipos, pérdida del uso de equipos, pérdida de software, pérdida de datos, costos de sustituciones, reclamaciones de terceros o de cualquier otra forma.

Cumplimiento de las normas de los números de identificación

Para fines de identificación y certificación del cumplimiento de las normas, su producto Tripp Lite tiene asignado un número de serie único. Puede encontrar el número de serie en la etiqueta de la placa de identificación del producto, junto con los símbolos de aprobación e información requeridos. Al solicitar información sobre el cumplimiento de las normas para este producto, siempre mencione el número de serie. El número de serie no debe ser confundido con el nombre de identificación ni con el número de modelo del producto.

Tripp Lite tiene una política de mejora continua. Las especificaciones están sujetas a cambio sin previo aviso.



1111 W. 35th Street, Chicago, IL 60609 EE. UU. • www.tripplite.com/support

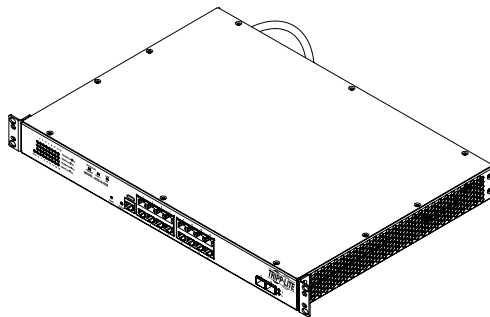
Manuel de l'utilisateur

Commutateur de réseau géré pour montage en bâti avec PDU intégrée et protection contre les surtensions **isobar®**

Modèle : NSS-G16D2, NSS-G24D2

(numéro de série : AG-014D)

English 1 • Español 9



TRIPP·LITE



1111 W. 35th Street, Chicago, IL 60609 USA • www.tripplite.com/support

Droits d'auteur © 2016 Tripp Lite. Tous droits réservés.

Consignes de sécurité importantes



CONSERVEZ CES INSTRUCTIONS!

Ce manuel contient des instructions et des avertissements importants devant être respectés au cours de l'installation, de l'utilisation et de l'entreposage de ce produit Tripp Lite. Le non-respect de ces avertissements ou directives peut avoir une incidence sur la garantie.

Mises en garde concernant le placement de la PDU/du commutateur

- Le commutateur est conçu pour être utilisé pour un usage intérieur uniquement, dans un environnement contrôlé, à l'écart de l'humidité excessive, des températures extrêmes, des contaminants conducteurs, de la poussière et de la lumière directe du soleil.
- Pour un rendement optimal, maintenir la température intérieure entre 0 °C et 40 °C (32 °F et 104 °F) avec une humidité relative comprise entre 10 et 90 % (sans condensation).
- Installer conformément aux normes du Code national de l'électricité. S'assurer d'utiliser la bonne protection contre les surintensités pour l'installation, conformément aux valeurs nominales de la fiche et de l'équipement.
- Laisser suffisamment d'espace tout autour du commutateur pour assurer une bonne ventilation.
- Garder le commutateur à l'écart des appareils haute fréquence et à courant fort (p. ex. station émettrice de radio, transmetteurs et amplificateurs à large bande).
- Utiliser une protection électromagnétique (le cas échéant).
- Pour une configuration de montage en bâti, s'assurer que le bâti et le commutateur sont correctement mis à la masse.
- Si le commutateur n'est pas monté en bâti, le placer solidement sur une surface solide et à plat.
- Les prises électriques alimentant l'équipement doivent être installées à proximité de l'équipement et être facilement accessibles.
- Une mauvaise installation risque de causer des dommages au produit non couverts par la garantie.
- Ne pas exposer les câbles de réseautage connectés du commutateur réseau aux éléments extérieurs.
- MISE EN GARDE – Ne pas installer ce dispositif s'il n'y a pas au moins 10 mètres (30 pieds) ou plus de câble entre la prise électrique et le panneau d'entrée d'électricité.
- Ne pas utiliser ce produit à proximité de l'eau (p. ex. dans un sous-sol humide ou à proximité d'une piscine).

Avertissements concernant la connexion de la PDU/du commutateur

- Il est déconseillé d'utiliser cet équipement dans des applications médicales où une panne de cet équipement pourrait normalement provoquer la panne de l'équipement de survie ou altérer notablement sa sécurité ou son efficacité. Ne pas utiliser cet équipement en présence d'un mélange anesthésique inflammable avec de l'air, de l'oxygène ou de l'oxyde nitreux.
- Maintenir l'alimentation d'entrée du commutateur hors tension durant l'installation.
- Utiliser uniquement le cordon d'alimentation fourni avec le commutateur.
- S'assurer que la tension d'alimentation correspond aux spécifications indiquées sur le commutateur.
- La puissance totale requise pour l'équipement connecté au commutateur ne doit pas excéder la charge nominale maximum du disjoncteur de la PDU.
- Ne pas connecter le commutateur à prise non mise à la masse ou des rallonges électriques ou des adaptateurs éliminant la connexion à la masse.
- Ne pas percer ou tenter d'ouvrir une quelconque partie du boîtier du commutateur. Il n'existe aucune pièce réparable par l'utilisateur à l'intérieur.
- Ne pas tenter de modifier le commutateur, y compris les fiches d'entrée et les câbles d'alimentation.
- Ne pas tenter d'utiliser le commutateur si une de ses pièces est endommagée.
- S'assurer que les câbles du réseau sont correctement en place. Un cliquetis se produira lorsqu'un câble est installé correctement.
- Si le cordon d'alimentation est endommagé, ne pas tenter de brancher le commutateur. Contacter un représentant du service de Tripp Lite pour obtenir de l'aide.
- Ne jamais tenter d'installer ou d'utiliser le commutateur pendant un orage.

Accéder à l'interface de configuration de la gestion

Après avoir mis le commutateur sous tension pour la première fois, le commutateur de réseau intelligent peut être configuré à l'aide d'un navigateur Web. Pour accéder au commutateur, l'ordinateur de gestion et le commutateur doivent être configurés sous le même sous-réseau. L'adresse IP de l'ordinateur de gestion doit être configurée manuellement. L'adresse IP par défaut de l'ordinateur est 192.168.1.200 et le masque de sous-réseau par défaut est 255.255.255.0.

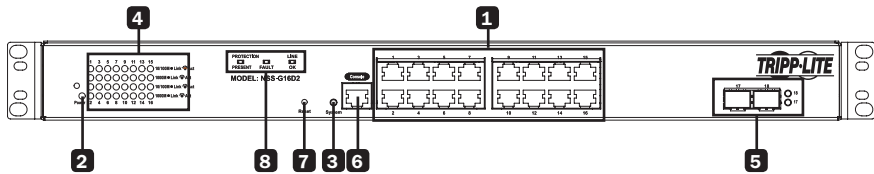
Le commutateur de réseau intelligent comporte un logiciel pour voir, modifier et surveiller son fonctionnement. Ce logiciel de gestion n'est pas nécessaire au fonctionnement du commutateur. Les ports peuvent être utilisés sans le logiciel de gestion. Toutefois, le logiciel de gestion permet la configuration du réseau local virtuel, du partage et des autres fonctionnalités. L'utilisation de ces fonctionnalités peut également améliorer l'efficacité du commutateur, ce qui permet d'améliorer son rendement global de même que le rendement du réseau.

Pour en savoir plus sur la configuration du commutateur, veuillez visiter www.tripplite.com pour consulter le Guide de configuration Web du commutateur de réseau intelligent.

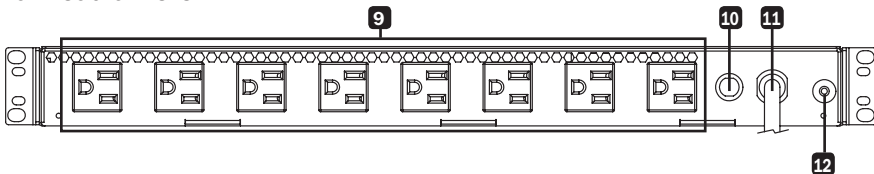
Caractéristiques du produit

NSS-G16D2

Panneau avant :



Panneau arrière :



- 1 Ports Gigabit Ethernet :** Ces 16 ports RJ45 à paires torsadées prennent en charge les fonctions auto-négociables 10/100/1000 Mbps et d'auto-détection de croisement MDI/MDIX pour la capacité « prêt à l'emploi ».

Remarque : Non compatible avec les applications nécessitant l'alimentation électrique par câble Ethernet (PoE).

- 2 Voyant à DEL ON/OFF (marche/arrêt) :** Un voyant à DEL s'allume pour indiquer que le commutateur sous tension.
- 3 Voyant à DEL d'état du système :** Ce voyant à DEL s'allume d'un vert continu lorsque le système est en cours de chargement et clignote pour indiquer que le système est prêt.
- 4 Voyants à DEL d'état des ports :** De ces 32 voyants à DEL, 16 s'allument d'une couleur orange pour indiquer l'état de la connexion des voyants à DEL 10/100 Mbps et clignotent pour indiquer l'activité sur chaque port. Lorsque le commutateur découvre une connexion de 1 000 Mbps, les 16 autres voyants à DEL s'allument d'une couleur verte pour indiquer la connexion et clignotent pour indiquer l'activité sur chaque port.

Caractéristiques du produit

- 5 MiniGBIC:** Les ports MiniGBIC (convertisseur d'interface gigabit) sont des points de connexion pour les modules MiniGBIC de façon à permettre une liaison montante entre le commutateur et les autres commutateurs utilisant des fibres optiques. Lorsque les ports MiniGBIC sont actifs, les voyants à DEL adjacents aux ports réagissent au trafic de l'interface.
- 6 Port de la console :** Ce port RJ45 est utilisé pour demander l'accès en ligne vers le commutateur.
- 7 Bouton de réinitialisation :** Appuyer sur le bouton de réinitialisation pour effectuer une réinitialisation aux paramètres d'usine.

Remarque : Ce bouton est semi-encastré et il doit être enfoncé au moyen d'un petit objet, comme un trombone.

- 8 Voyants à DEL de diagnostic de l'alimentation CA :** Les trois voyants à DEL sur le panneau avant indiquent les conditions d'alimentation actuelles (de gauche à droite) :

Protection présente (voyant à DEL vert) : indique que les composants de protection contre les surtensions sont intacts et fournissent une protection complète contre les surtensions et les pointes. Ce voyant à DEL s'allume chaque fois que l'appareil est branché et que l'alimentation est présente. Si le voyant à DEL de présence de protection ne s'allume pas, certains des composants de protection contre les surtensions ne fonctionnent pas et l'appareil devrait être retourné pour réparation aussitôt que possible. Il est toujours possible d'utiliser l'appareil; toutefois, l'équipement connecté sera protégé contre les surtensions et les pointes à un niveau inférieur à la normale.

Anomalie (voyant à DEL rouge)* : indique qu'un problème de câblage a été détecté. Si ce voyant à DEL s'allume tandis que l'appareil est branché, le défaut doit être réparé aussitôt que possible par un électricien qualifié. Ce voyant à DEL indique que les phases sont inversées, que la mise à la terre est absente ou tout autre type d'erreur présente dans le circuit auquel l'appareil est branché. La circuiterie du détecteur de défaut de ligne identifiera les problèmes de câblage les plus fréquents, mais ne détectera pas nécessairement tous les types de problèmes possibles.

Ligne normale (voyant à DEL vert) : indique que de l'alimentation CA nominale est présente et qu'aucun problème de câblage n'est détecté. Lorsque ce voyant DEL est allumé, l'alimentation CA est acceptable pour l'équipement connecté.

- 9 Sorties NEMA 5-15R :** Ce commutateur inclut 8 prises NEMA 5-15R.
- 10 Disjoncteur :** Si le courant tiré par l'équipement connecté aux sorties du commutateur intelligent dépasse la charge nominale maximale, le disjoncteur thermique de 12 A se déclenchera pour éviter les dommages et sa tige-poussoir se déclenchera. Le cas échéant, débrancher les appareils excédentaires et laisser le disjoncteur refroidir pendant au moins une minute avant d'appuyer sur la tige-poussoir pour réinitialiser l'appareil.
- 11 Entrée CA :** Le cordon d'entrée attaché en permanence avec une fiche d'entrée NEMA 5-15P.
- 12 Patte de mise à la masse :** Utiliser cette vis pour brancher le commutateur à la mise à la masse.

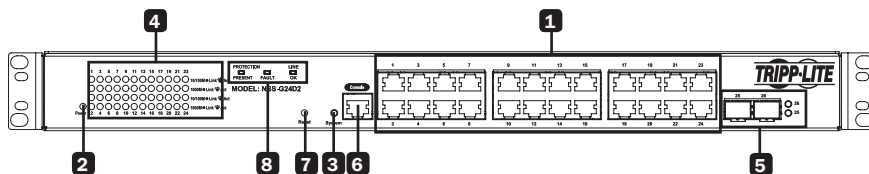
* **Si l'indicateur de défaut de ligne (voyant à DEL rouge) s'allume, vérifier attentivement la prise CA à laquelle l'appareil est branché. La prise doit être bien en place et convenablement mise à la terre. Une prise CA lâche peut entraîner l'illumination du voyant à DEL de défaut de ligne. Le voyant à DEL rouge indique la présence d'un problème de câblage, mais n'indique pas la nature exacte du problème. Seul un électricien qualifié devrait faire les réparations nécessaires au niveau des sorties.**

Si l'indicateur de défaut de ligne s'allume et que le courant est absent au niveau des sorties, les composants de protection contre les surtensions ont été compromis suite à des dommages causés par une surtension. Pour l'entretien, contacter le service à la clientèle de Tripp Lite à www.tripplite.com/support pour résoudre le problème ou recevoir des instructions concernant le retour, la réparation et l'échange.

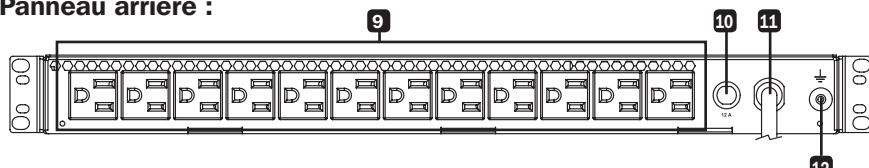
Caractéristiques du produit

NSS-G24D2

Panneau avant :



Panneau arrière :



- 1 Ports Gigabit Ethernet :** Ces 24 ports RJ45 à paires torsadées prennent en charge les fonctions auto-négociables 10/100/1000 Mbps et d'auto-détection de croisement MDI/MDIX pour la capacité « prêt à l'emploi ».

Remarque : Non compatible avec les applications nécessitant l'alimentation électrique par câble Ethernet (PoE).

- 2 Voyant à DEL ON/OFF (marche/arrêt) :** Un voyant à DEL s'allume pour indiquer que le commutateur est alimenté.
- 3 Voyant à DEL d'état du système :** Ce voyant à DEL s'allume d'un vert continu lorsque le système est en cours de chargement et clignote pour indiquer que le système est prêt.
- 4 Voyants à DEL d'état des ports :** De ces 48 voyants à DEL, 24 s'allument d'une couleur orange pour indiquer la connexion des voyants à DEL 10/100 Mbps et clignotent pour indiquer l'activité sur chaque port. Lorsque le commutateur découvre une connexion de 1 000 Mbps, les 24 autres voyants à DEL s'allument en vert pour l'état de la connexion et clignotent pour indiquer de l'activité sur chaque port.
- 5 MiniGBIC :** Les ports MiniGBIC (convertisseur d'interface gigabit) sont des points de connexion pour les modules MiniGBIC permettant une liaison montante entre le commutateur et les autres commutateurs utilisant des fibres optiques. Lorsque les ports MiniGBIC sont actifs, les voyants à DEL adjacents aux ports réagissent au trafic de l'interface.
- 6 Port de la console :** Ce port RJ45 est utilisé pour demander l'accès en ligne vers le commutateur.
- 7 Bouton de réinitialisation :** Appuyer sur le bouton de réinitialisation pour effectuer une réinitialisation aux paramètres d'usine.

Remarque : Ce bouton est semi-encastré et il doit être enfoncé au moyen d'un petit objet, comme un trombone.

Caractéristiques du produit

8 Voyants à DEL de diagnostic de l'alimentation CA : Les trois voyants à DEL sur le panneau avant indiquent les conditions d'alimentation actuelles (de gauche à droite) :

Protection présente (voyant à DEL vert) : indique que les composants de protection contre les surtensions sont intacts et fournissent une protection complète contre les surtensions et les pointes. Ce voyant à DEL s'allume chaque fois que l'appareil est branché et que l'alimentation est présente. Si le voyant à DEL de présence de protection ne s'allume pas, certains des composants de protection contre les surtensions ne fonctionnent pas et l'appareil devrait être retourné pour réparation aussitôt que possible. Il est toujours possible d'utiliser l'appareil; toutefois, l'équipement connecté sera protégé contre les surtensions et les pointes à un niveau inférieur à la normale.

Anomalie (voyant à DEL rouge)* : indique qu'un problème de câblage a été détecté. Si ce voyant à DEL s'allume alors que l'appareil est branché, le défaut doit être réparé aussitôt que possible par un électricien qualifié. Ce voyant à DEL indique que les phases sont inversées, que la mise à la terre est absente ou tout autre type d'erreur présente dans le circuit auquel l'appareil est branché. La circuiterie du détecteur de défaut de ligne identifiera les problèmes de câblage les plus fréquents, mais ne détectera pas nécessairement tous les types de problèmes possibles.

Ligne normale (voyant à DEL vert) : indique que de l'alimentation CA nominale est active et qu'aucun problème de câblage n'est détecté. Lorsque ce voyant DEL est allumé, l'alimentation CA est acceptable pour l'équipement connecté.

9 Sorties NEMA 5-15R : Ce commutateur inclut 12 prises NEMA 5-15R.

10 Disjoncteur : Si le courant tiré par l'équipement connecté aux sorties du commutateur intelligent dépasse la charge nominale maximale, le disjoncteur thermique de 12 A se déclenchera pour éviter les dommages et sa tige-poussoir se déclenchera. Le cas échéant, débrancher les appareils excédentaires et laisser le disjoncteur refroidir pendant au moins une minute avant d'appuyer sur la tige-poussoir pour réinitialiser l'appareil.

11 Entrée CA : Le cordon d'entrée rattaché en permanence à une fiche d'entrée NEMA 5-15P.

12 Patte de mise à la masse : Utiliser cette vis pour brancher le commutateur à la mise à la masse.

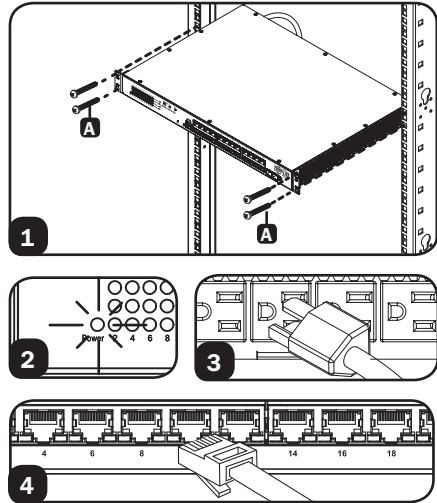
* **Si l'indicateur de défaut de ligne (voyant à DEL rouge) s'allume, vérifier attentivement la prise CA à laquelle l'appareil est branché. La prise doit être bien en place et convenablement mise à la terre. Une prise CA lâche peut entraîner l'illumination du voyant à DEL de défaut de ligne. Le voyant à DEL rouge indique la présence d'un problème de câblage, mais n'indique pas la nature exacte du problème. Seul un électricien qualifié devrait faire les réparations nécessaires au niveau des sorties.**

Si l'indicateur de défaut de ligne s'allume et que le courant est absent au niveau des sorties, les composants de protection contre les surtensions ont été compromis suite à des dommages causés par une surtension. Pour l'entretien, contacter le service à la clientèle de Tripp Lite à www.tripplite.com/support pour résoudre le problème ou recevoir des instructions concernant le retour, la réparation et l'échange.

Installation

Installation à montage en bâti 1U

- 1** Monter le commutateur en utilisant quatre vis à montage en bâti fournies par l'utilisateur **A**. L'utilisateur doit déterminer l'aptitude des vis pour le montage en bâti à retenir l'appareil au bâti avant montage.
- 2** Brancher le commutateur à une sortie correctement mise à la terre. Le voyant à DEL POWER (mise sous tension) s'allume lorsque le commutateur se trouve en position de marche.
- 3** Brancher l'équipement aux sorties de la PDU. S'assurer que la charge connectée n'excède pas la charge nominale du disjoncteur de la PDU.
- 4** Brancher les câbles du réseau au commutateur de réseau.



Garantie

Garantie limitée de 5 ans

TRIPP LITE garantit que ses produits sont exempts de vices de matériaux et de fabrication pendant une période de cinq (5) ans à partir de la date d'achat initiale. L'obligation de TRIPP LITE, en vertu de la présente garantie, se limite à la réparation ou au remplacement (à sa seule discrétion) de ces produits défectueux. Pour obtenir réparation sous cette garantie, vous devez obtenir un numéro d'autorisation de retour de matériel (RMA) auprès de TRIPP LITE ou d'un centre de réparation reconnu par TRIPP LITE. Les produits doivent être retournés à TRIPP LITE ou à un centre de réparation reconnu par TRIPP LITE en port prépayé et être accompagnés d'une brève description du problème et d'un justificatif de la date et du lieu d'achat. Cette garantie ne s'applique pas au matériel ayant été endommagé suite à un accident, à une négligence ou à un application abusive, ou ayant été altéré ou modifié d'une façon quelconque.

SAUF INDICATION CONTRAIRE DANS LES PRÉSENTES, TRIPP LITE N'ÉMET AUCUNE GARANTIE, EXPRESSE OU TACITE, Y COMPRIS DES GARANTIES DE QUALITÉ COMMERCIALE ET D'ADAPTATION À UN USAGE PARTICULIER. Certains États n'autorisant pas la limitation ni l'exclusion de garanties tacites, les limitations ou exclusions susmentionnées peuvent ne pas s'appliquer à l'acheteur.

À L'EXCEPTION DES DISPOSITIONS CI-DESSUS, TRIPP LITE NE POURRA EN AUCUN CAS ÊTRE TENU RESPONSABLE DE DOMMAGES DIRECTS, INDIRECTS, SPÉCIAUX, FORTUITS OU CONSÉCUTIFS RÉSULTANT DE L'UTILISATION DE CE PRODUIT, MÊME SI AYANT ÉTÉ AVISÉ DE L'ÉVENTUALITÉ DE TELS DOMMAGES. Plus précisément, TRIPP LITE ne pourra être tenu responsable de coûts, tels que perte de bénéfices ou de recettes, perte de matériel, impossibilité d'utilisation du matériel, perte de logiciel, perte de données, frais de produits de remplacement, réclamations d'un tiers ou autres.

Numéros d'identification de conformité aux règlements

À des fins de certification et d'identification de conformité aux règlements, votre produit Tripp Lite a reçu un numéro de série unique. Ce numéro se retrouve sur la plaque signalétique du produit, avec les inscriptions et informations d'approbation requises. Lors d'une demande d'information de conformité pour ce produit, utilisez toujours le numéro de série. Il ne doit pas être confondu avec le nom de la marque ou le numéro de modèle du produit.

La politique de Tripp Lite est une politique d'amélioration continue. Les spécifications sont sujettes à changement sans préavis.



1111 W. 35th Street, Chicago, IL 60609 USA • www.triplite.com/support