

Owner's Manual

8U/12U/22U Configurable Wall-Mounted 2-Post Open Frame Rack

Model: SRW08U22

Introduction	2
Important Safety Instructions	2
Parts List	2
Installation/Wall-Mounting	3
8U Configuration	3
12U Configuration	4
22U Configuration	5
Equipment Installation	6
Storage & Service	6
Warranty & Product Registration	6
Español	7
Français	13

PROTECT YOUR INVESTMENT!

Register your product for quicker service and ultimate peace of mind.

You could also win an ISOBAR6ULTRA surge protector—a \$100 value!

www.tripplite.com/warranty



1111 W. 35th Street, Chicago, IL 60609 USA • www.tripplite.com/support

Copyright © 2017 Tripp Lite. All rights reserved.

Introduction

Tripp Lite's SRW08U22 is the perfect multi-option 2-post open frame rack solution for applications where space is limited. 8U, 12U or 22U rack space options allow configuration flexibility without having to buy separate rack fixtures, all in an out-of-the-way wall-mount form factor. The SRW08U22 accommodates all standard 19-inch rackmount equipment compatible with 2-post mounting.

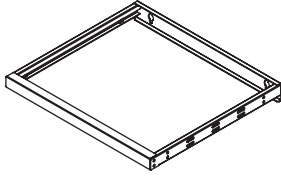


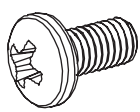

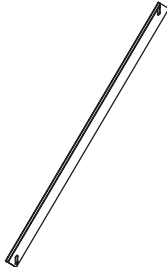
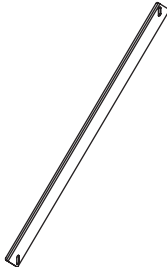
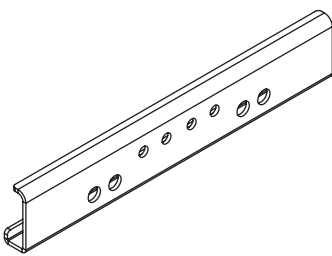
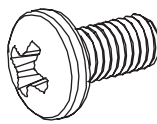
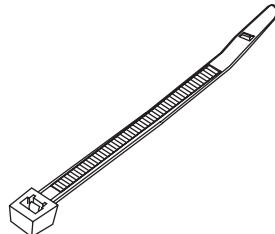
Important Safety Instructions

SAVE THESE INSTRUCTIONS

This Manual contains instructions and warnings that must be followed during the installation and operation of the product described in this manual. Failure to comply may invalidate the warranty and cause property damage or personal injury.

- Keep the rack in a controlled indoor environment, away from moisture, temperature extremes, flammable liquids and gasses, conductive contaminants and dust.
- Leave adequate space at the front of the rack for proper ventilation.
- Inspect the shipping container and the rack for shipping damage. Do not use the rack if it is damaged.
- Leave the rack in the shipping container until it has been moved as close to the final installation location as possible.
- Install the rack in a structurally sound area capable of handling the load, the weight of the rack, all equipment that will be installed in the rack and any other equipment that will be installed nearby.
- Save all packing materials for later use. Repacking and shipping the enclosure without the original packing materials may cause product damage that may affect the warranty.
- Do not attempt to install the rack unassisted.
- Do not attempt to install equipment without first wall mounting and stabilizing the rack.
- Use of this equipment in life support applications where failure of this equipment can reasonably be expected to cause the failure of the life support equipment or to significantly affect its safety or effectiveness is not recommended.

Parts List

				
Top or Bottom Panel Frames (2)	Short Vertical Mounting Rails (2)	Long Vertical Mounting Rails (2)	M5 x 10 mm Phillips Head Screws (16)	#12-24 Equipment Mounting Screws (24)
				
Right-Side Support Strap (1)	Left-Side Support Strap (1)	Mounting Rail Tie Plates (2)	M6 x 12 mm Phillips Head Screws (8)	Zip Ties (8)

Installation/Wall-Mounting



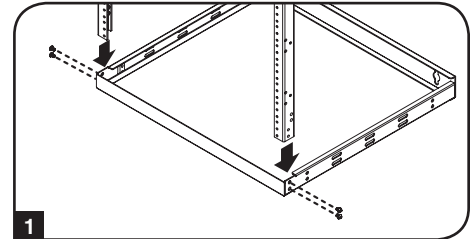
WARNING: Do not attempt to mount the rack to the wall with equipment mounted to the rack.

WARNING: The wall surface, the wall studs and all user-supplied mounting hardware must be able to support the combined weight of the rack and all equipment that will be installed in the rack. The rack can support an equipment load up to 150 lb. maximum, evenly distributed.

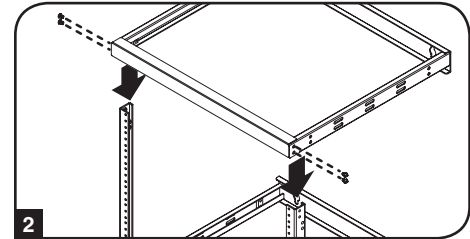
Note: Recommended torque for tightening all M5 screws is 35 in•lbf or 3.9 N•m.

8U Configuration

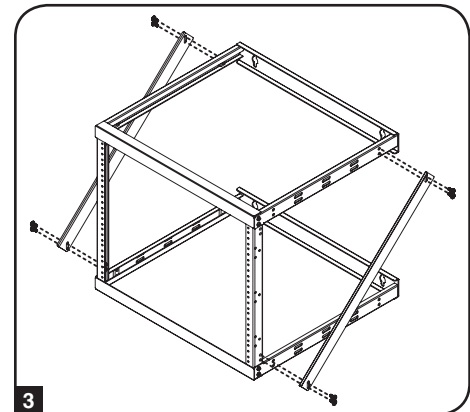
Step 1 Insert one end of the shorter vertical mounting rails into the corners of the bottom panel frame (both panel frames can be used as a top or a bottom) opposite the mounting side and secure them with 2 of the M5 x 10 mm Phillips head screws on each side.



Step 2 Insert the other end of the shorter vertical mounting rails into the corners of the top panel frame opposite the mounting side and secure them with 2 of the M5 x 10 mm Phillips head screws on each side.

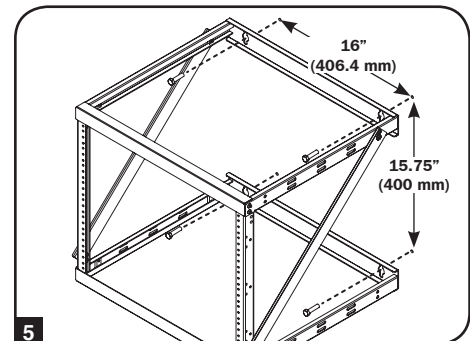


Step 3 Attach the right-side and left-side support straps by securing 8 of the M6 x 12 mm Phillips head screws to the sides of the top panel frame and vertical mounting rails.

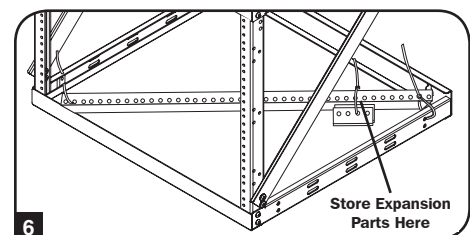


Step 4 Before mounting the rack, find the studs in your wall/mounting surface and make all measurements, and or guide marks in accordance with the configuration you have chosen (8U).

Step 5 Using user-supplied hardware, mount the top and bottom panel frames to the wall. Both mounting frames can accommodate 5/16" lag bolts.



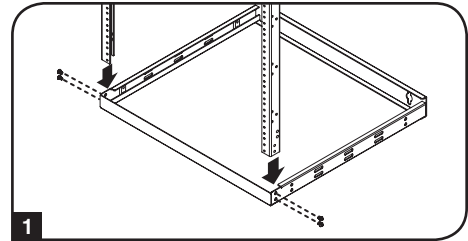
Step 6 Using the supplied zip ties included in the expansion hardware bag, you can store the extra 12U (long) mounting rails, plus the remaining expansion hardware contents (Mounting Rail Tie Plates, 8 M5 Phillips Screws and Zip Ties) inside the bag that the expansion hardware was packaged in. It is important to save all unused hardware in the event that you want to expand your configuration at a later date.



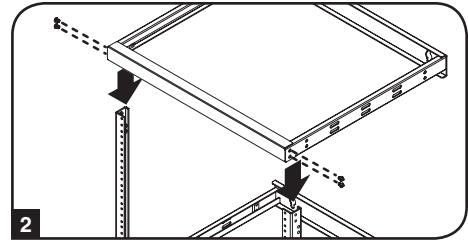
Installation/Wall-Mounting continued

12U Configuration

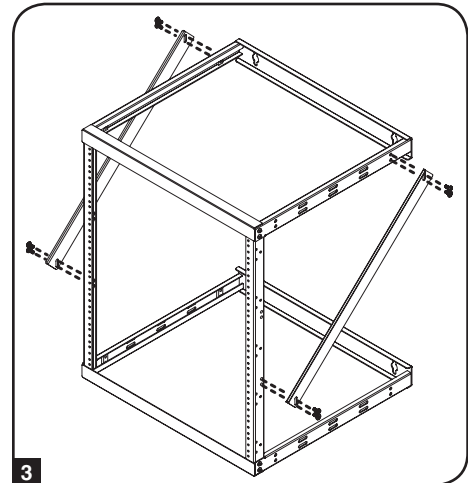
Step 1 Insert one end of the longer vertical mounting rails into the corners of the bottom panel frame (both panel frames can be used as a top or a bottom) opposite the mounting side and secure them with 2 of the M5 x 10 mm Phillips head screws on each side.



Step 2 Insert the other end of the longer vertical mounting rails into the corners of the top panel frame opposite the mounting side and secure them with 2 of the M5 x 10 mm Phillips head screws on each side.

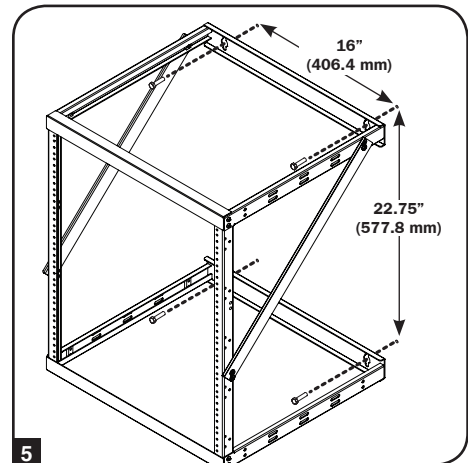


Step 3 Attach the right-side and left-side support straps by securing 8 of the M6 x 12 mm Phillips head screws to the sides of the top panel frame and vertical mounting rails.

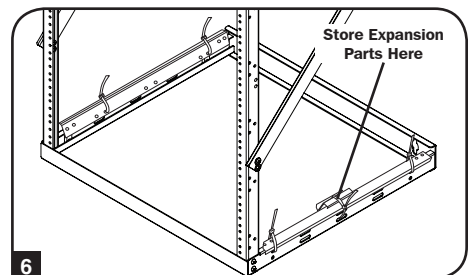


Step 4 Before mounting the rack, find the studs in your wall/mounting surface and make all measurements, and or guide marks in accordance with the configuration you have chosen (12U).

Step 5 Using user-supplied hardware, mount the top and bottom panel frames to the wall. Both mounting frames can accommodate 5/16" lag bolts.



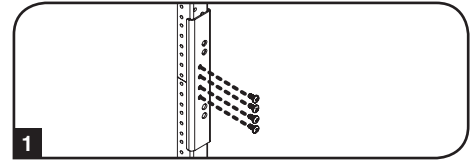
Step 6 Using the supplied zip ties included in the expansion hardware bag, you can store the extra 8U (short) mounting rails, plus the remaining expansion hardware contents (Mounting Rail Tie Plates, 8 M5 Phillips Screws and Zip Ties) inside the bag that the expansion hardware was packaged in. It is important to save all unused hardware in the event that you want to expand your configuration at a later date.



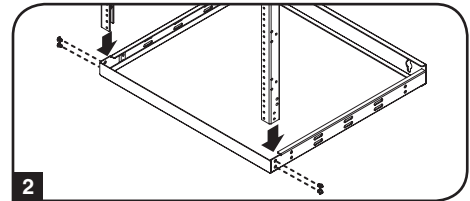
Installation/Wall-Mounting continued

22U Configuration

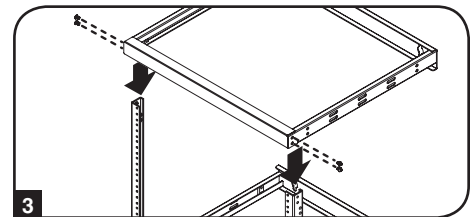
Step 1 Using one of the mounting rail tie plates and four of the M5 x 10 mm Phillips head screws, connect one set of shorter and longer vertical mounting rails. Repeat this step for the other set of rails.



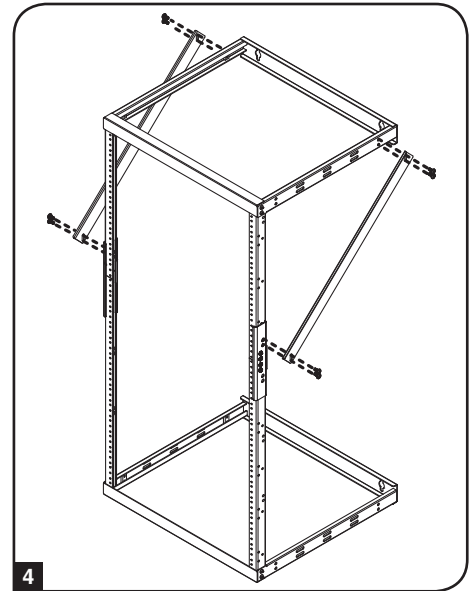
Step 2 Insert one end of the combined vertical mounting rails into the corners of the bottom panel frame (both panel frames can be used as a top or a bottom) opposite the mounting side and secure them with 2 of the M5 x 10 mm Phillips head screws on each side.



Step 3 Insert the other end of the combined vertical mounting rails into the corners of the top panel frame opposite the mounting side and secure them with 2 of the M5 x 10 mm Phillips head screws on each side.



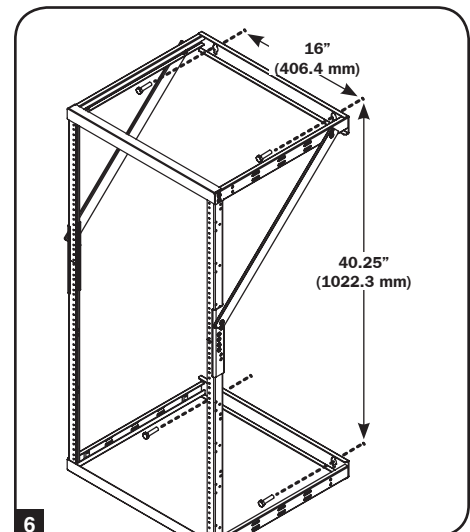
Step 4 Attach the right-side and left-side support straps by securing 8 of the M6 x 12 mm Phillips head screws to the sides of the top panel frame and vertical mounting rails.



Step 5 Before mounting the rack, find the studs in your wall/mounting surface and make all measurements, and or guide marks in accordance with the configuration you have chosen (22U).

Step 6 Using user-supplied hardware, mount the top and bottom panel frames to the wall. Both mounting frames can accommodate 5/16" lag bolts.

Note: Mount this configuration with the longer rails towards the bottom.



Equipment Installation

It should be noted that the SRW08U22 can support an equipment load up to 150 lb. maximum.

For all other equipment mounting, please refer to the intended equipment's Owner's Manual's for equipment installation instructions. Typically, this information can be found in the "Mounting" or "Rackmounting" sections of the manual. Tripp Lite has provided you with 24 Equipment Mounting Screws, included in this package.

Storage and Service

Storage

The enclosure should be stored in a controlled indoor environment, away from moisture, temperature extremes, flammable liquids and gasses, conductive contaminants, dust and direct sunlight. Store the enclosure in its original shipping container if possible.

Service

Your Tripp Lite product is covered by the warranty described in this manual. A variety of Extended Warranty and On-Site Service Programs are also available from Tripp Lite. For more information on service, visit www.tripplite.com/support. Before returning your product for service, follow these steps:

1. Review the installation and operation procedures in this manual to insure that the service problem does not originate from a misreading of the instructions.
2. If the problem continues, do not contact or return the product to the dealer. Instead, visit www.tripplite.com/support.
3. If the problem requires service, visit www.tripplite.com/support and click the Product Returns link. From here you can request a Returned Material Authorization (RMA) number, which is required for service. This simple on-line form will ask for your unit's model and serial numbers, along with other general purchaser information. The RMA number, along with shipping instructions will be emailed to you. Any damages (direct, indirect, special or consequential) to the product incurred during shipment to Tripp Lite or an authorized Tripp Lite service center is not covered under warranty. Products shipped to Tripp Lite or an authorized Tripp Lite service center must have transportation charges prepaid. Mark the RMA number on the outside of the package. If the product is within its warranty period, enclose a copy of your sales receipt. Return the product for service using an insured carrier to the address given to you when you request the RMA.

Warranty & Product Registration

5-Year Limited Warranty

Seller warrants this product, if used in accordance with all applicable instructions, to be free from original defects in material and workmanship for a period of 5 years from the date of initial purchase. If the product should prove defective in material or workmanship within that period, Seller will repair or replace the product, at its sole discretion.

THIS WARRANTY DOES NOT APPLY TO NORMAL WEAR OR TO DAMAGE RESULTING FROM ACCIDENT, MISUSE, ABUSE OR NEGLIGENCE. SELLER MAKES NO EXPRESS WARRANTIES OTHER THAN THE WARRANTY EXPRESSLY SET FORTH HEREIN. EXCEPT TO THE EXTENT PROHIBITED BY APPLICABLE LAW, ALL IMPLIED WARRANTIES, INCLUDING ALL WARRANTIES OF MERCHANTABILITY OR FITNESS, ARE LIMITED IN DURATION TO THE WARRANTY PERIOD SET FORTH ABOVE; AND THIS WARRANTY EXPRESSLY EXCLUDES ALL INCIDENTAL AND CONSEQUENTIAL DAMAGES. (Some states do not allow limitations on how long an implied warranty lasts, and some states do not allow the exclusion or limitation of incidental or consequential damages, so the above limitations or exclusions may not apply to you. This warranty gives you specific legal rights, and you may have other rights which vary from jurisdiction to jurisdiction).

WARNING: The individual user should take care to determine prior to use whether this device is suitable, adequate or safe for the use intended. Since individual applications are subject to great variation, the manufacturer makes no representation or warranty as to the suitability or fitness of these devices for any specific application.

Product Registration

Visit www.tripplite.com/warranty today to register your new Tripp Lite product. You'll be automatically entered into a drawing for a chance to win a FREE Tripp Lite product!*

* No purchase necessary. Void where prohibited. Some restrictions apply. See website for details.

Tripp Lite has a policy of continuous improvement. Specifications are subject to change without notice.



1111 W. 35th Street, Chicago, IL 60609 USA • www.tripplite.com/support

Manual del propietario

Rack de bastidor abierto de 2 puestos para montar en pared 8U/12U/22U configurable

Modelo: SRW08U22

Introducción	8
Instrucciones de seguridad importantes	8
Lista de piezas	8
Instalación/Montaje en la pared	9
Configuración 8U	9
Configuración 12U	10
Configuración 22U	11
Instalación de equipos	12
Almacenamiento y servicio	12
Garantía	12
English	1
Français	13



1111 W. 35th Street, Chicago, IL 60609 USA • www.tripplite.com/support

Copyright © 2017 Tripp Lite. Todos los derechos reservados.

Introducción

SRW08U22 de Tripp Lite es la solución de rack de bastidor abierto de 2 puestos multiopción ideal para aplicaciones en donde el espacio es limitado. Las opciones de espacio de racks 8U, 12U o 22U permiten flexibilidad en la configuración sin tener que adquirir mezclas de racks, todo en un factor de forma fuera de serie. El SRW08U22 puede acomodar equipos para montar en rack de 19 pulgadas (483 mm) estándar compatibles con el montaje en 2 puestos.

Instrucciones de seguridad

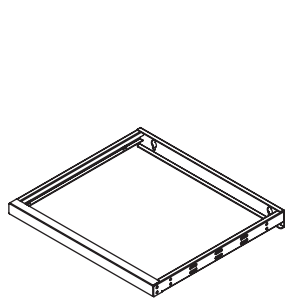


GUARDE ESTAS INSTRUCCIONES

Este manual contiene instrucciones y advertencias que deben seguirse durante la instalación y operación de este producto descritas en este manual. El incumplimiento invalidará la garantía, pudiendo causar serios daños a la propiedad y/o lesiones personales.

- Mantenga el rack en un ambiente interior controlado, lejos de la humedad, temperaturas extremas, líquidos y gases inflamables, contaminantes conductores, y el polvo.
- Deje espacio suficiente en el frente del rack para una ventilación adecuada.
- Inspeccione el contenedor de envío y el rack para detectar daños producidos durante el transporte. No lo use si está dañado.
- Deje el rack en el contenedor de envío hasta que se lo haya movido lo más cerca posible del lugar de instalación.
- Instale el rack en una zona estructuralmente segura capaz de soportar la carga, el peso del rack, de todos los equipos que se instalarán en el rack y de otros equipos que se instalarán cerca.
- Guarde los materiales de embalaje para utilizarlos en el futuro. Si el rack se vuelve a embalar y a enviar sin los materiales de embalaje originales, se pueden causar daños que anularán la garantía.
- No intente instalar el rack sin ayuda.
- No intente instalar equipos sin antes montar en la pared y estabilizar el rack.
- No se recomienda usar este equipo en aplicaciones de mantenimiento artificial de la vida, donde se puede esperar razonablemente que su falla cause la falla del equipo de mantenimiento de la vida o que afecte de manera importante su seguridad o eficiencia.

Lista de piezas



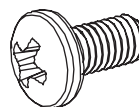
Bastidores del panel superior e inferior (2)



Rieles de montaje verticales cortos (2)



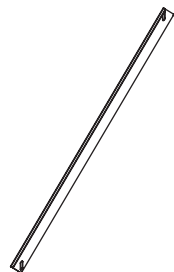
Rieles de montaje verticales largos (2)



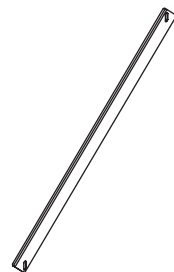
Tornillos Phillips M5 x 10 mm (16)



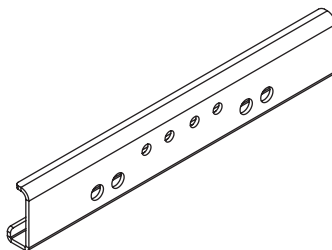
Tornillos #12-24 de montaje de equipos (24)



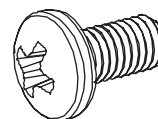
Correa de Apoyo del Lado Derecho (1)



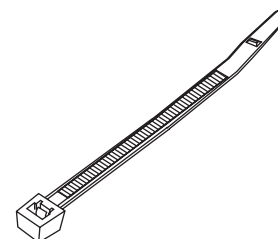
Correa de Apoyo del Lado Izquierdo (1)



Placas de ajuste de rieles de montaje (2)



Tornillos Phillips M6 x 12 mm (8)



Abrazaderas de cierre (8)

Instalación/Montaje en la pared



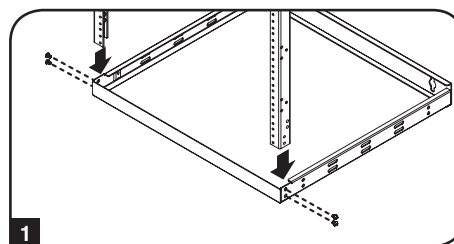
ADVERTENCIA: No intente montar el rack en la pared con equipos montados en el rack.

ADVERTENCIA: La superficie de la pared, los pasadores de la pared y todas las herramientas de montaje suministradas por el usuario deben poder soportar el peso combinado del rack y todos los equipos que se instalarán en el rack. El rack puede soportar un peso de equipos de hasta 150 lb. (68 kg) como máximo.

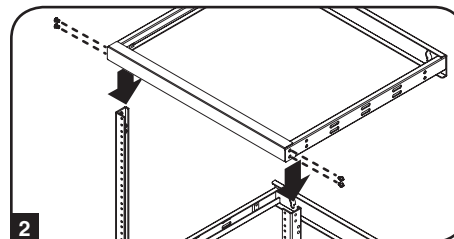
Nota: El valor de torque recomendado para ajustar todos los tornillos M5 es 3.9 N•m.

Configuración 8U

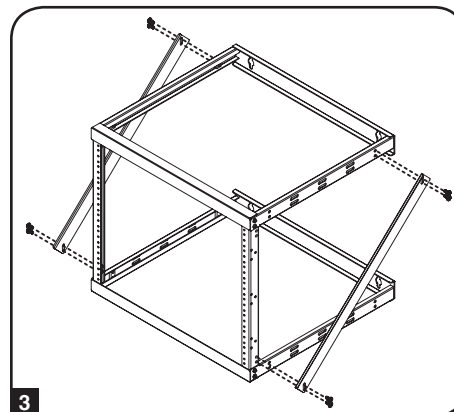
Paso 1 Inserte uno de los extremos de los rieles de montaje verticales cortos en las esquinas del bastidor del panel inferior (ambos bastidores de paneles pueden utilizarse como inferior o superior) opuesto al lado de montaje y asegúrelos con 2 de los tornillos Phillips M5 x 10 de cada lado.



Paso 2 Inserte el otro extremo de los rieles de montaje vertical cortos en las esquinas del bastidor de panel superior opuesto al lado de montaje y asegúrelos con 2 de los tornillos Phillips M5 x 10 de cada lado.

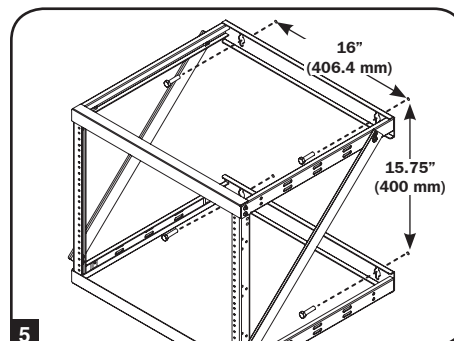


Paso 3 Instale las correas de apoyo del lado derecho y el izquierdo sujetando 8 de los tornillos de cabeza Phillips M6 x 12 a los costados del marco del panel superior y los rieles de instalación vertical.

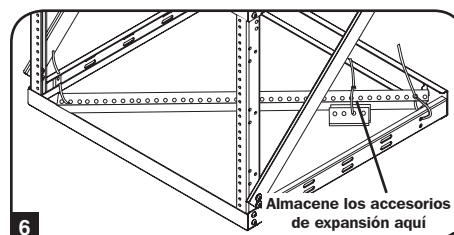


Paso 4 Antes de montar en el rack, busque los pasadores para la superficie de montaje en la pared y tome todas las medidas, o realice marcas de guía según la configuración que haya seleccionado (8U).

Paso 5 Utilizando herramientas suministradas por el usuario, monte los bastidores de panel superior e inferior a la pared. Ambos marcos de montaje pueden acomodar pernos de onda de 5/16 pulgadas (8 mm).



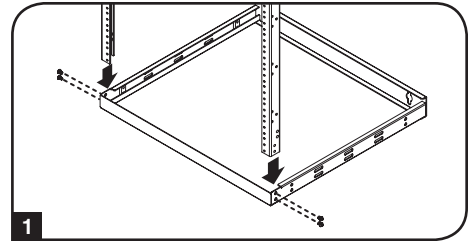
Paso 6 Usando los sujetadores incluidos en la bolsa de accesorios de expansión, puede almacenar los rieles de instalación adicionales de 12U (largo), más el contenido restante de los accesorios de instalación (Placas de Sujetadores de Rieles de Instalación, 8 tornillos Phillips M5 y Sujetadores) dentro de la bolsa en que se empacaron los accesorios. Es importante guardar todos los accesorios no utilizados en caso de que desee ampliar más tarde su configuración.



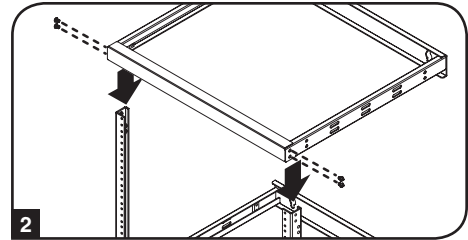
Instalación/Montaje en la pared (continuación)

Configuración 12U

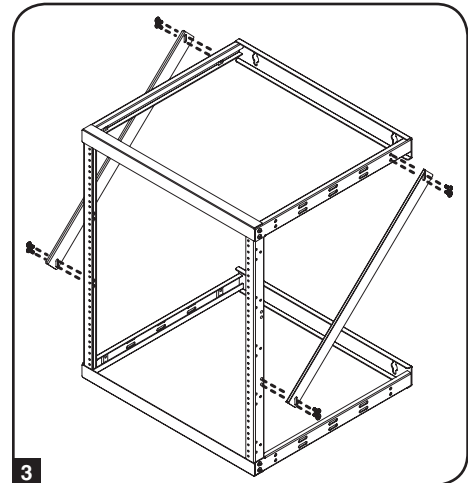
Paso 1 Inserte uno de los extremos de los rieles de montaje verticales largos en las esquinas del bastidor del panel inferior (ambos bastidores de paneles pueden utilizarse como inferior o superior) opuesto al lado de montaje y asegúrelos con 2 de los tornillos Phillips M5 x 10 de cada lado.



Paso 2 Inserte el otro extremo de los rieles de montaje vertical largos en las esquinas del bastidor de panel superior opuesto al lado de montaje y asegúrelos con 2 de los tornillos Phillips M5 x 10 de cada lado.

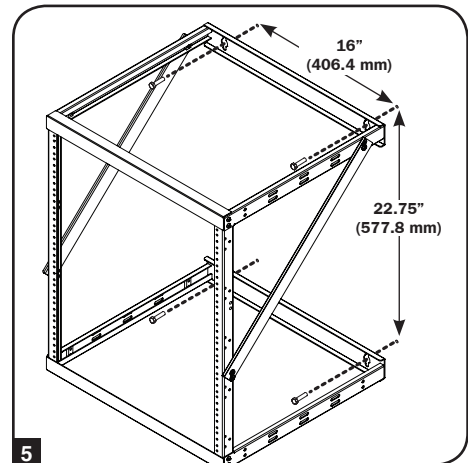


Paso 3 Instale las correas de apoyo del lado derecho y el izquierdo sujetando 8 de los tornillos de cabeza Phillips M6 x 12 a los costados del marco del panel superior y los rieles de instalación vertical.

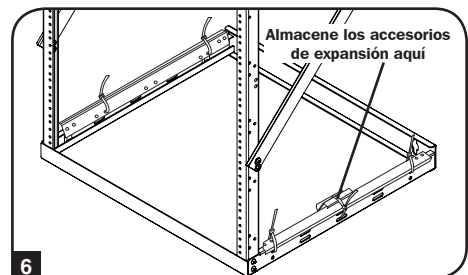


Paso 4 Antes de montar en el rack, busque los pasadores para la superficie de montaje en la pared y tome todas las medidas, o realice marcas de guía según la configuración que haya seleccionado (12U).

Paso 5 Utilizando herramientas suministradas por el usuario, monte los bastidores de panel superior e inferior a la pared. Ambos marcos de montaje pueden acomodar pernos de onda de 5/16 pulgadas (8 mm).



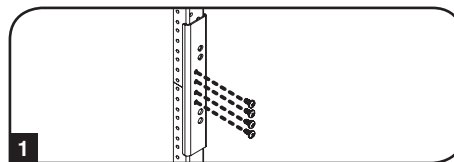
Paso 6 Usando los sujetadores incluidos en la bolsa de accesorios de expansión, puede almacenar los rieles de instalación adicionales de 8U (cortos), más el contenido restante de los accesorios de instalación (Placas de Sujetadores de Rieles de Instalación, 8 tornillos Phillips M5 y Sujetadores) dentro de la bolsa en que se empaquetaron los accesorios. Es importante guardar todos los accesorios no utilizados en caso de que desee ampliar más tarde su configuración.



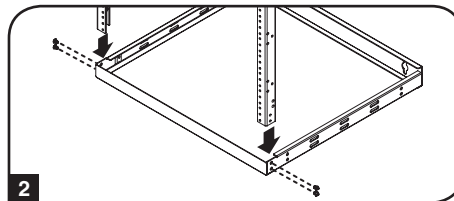
Instalación/Montaje en la pared (continuación)

Configuración 22U

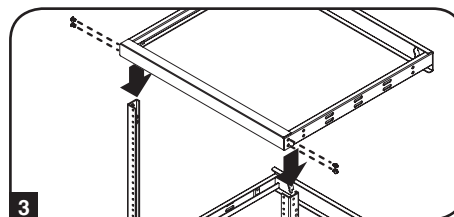
Paso 1 Utilizando una de las placas de ajuste de riel de montaje y cuatro de los tornillos Phillips M5 x 10, conecte un juego de rieles de montaje vertical corto y largo. Repita este paso para los otros juegos de rieles.



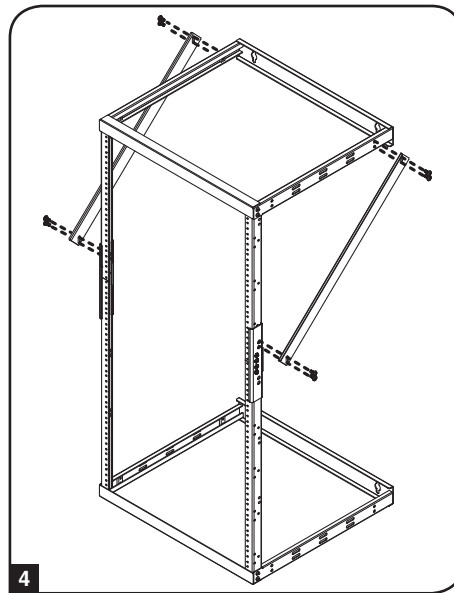
Paso 2 Inserte uno de los extremos de los rieles de montaje verticales combinados en las esquinas del bastidor del panel inferior (ambos bastidores de paneles pueden utilizarse como inferior o superior) opuesto al lado de montaje y asegúrelos con 2 de los tornillos Phillips M5 x 10 de cada lado.



Paso 3 Inserte el otro extremo de los rieles de montaje vertical combinados en las esquinas del bastidor de panel superior opuesto al lado de montaje y asegúrelos con 2 de los tornillos Phillips M5 x 10 de cada lado.

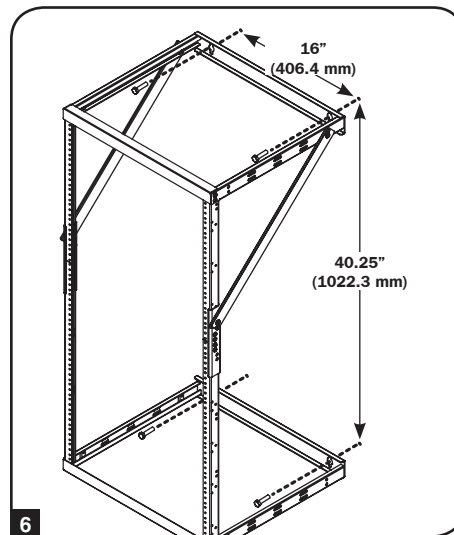


Paso 4 Instale las correas de apoyo del lado derecho y el izquierdo sujetando 8 de los tornillos de cabeza Phillips M6 x 12 a los costados del marco del panel superior y los rieles de instalación vertical.



Paso 5 Antes de montar en el rack, busque los pasadores para la superficie de montaje en la pared y tome todas las medidas, o realice marcas de guía según la configuración que haya seleccionado (22U).

Paso 6 Utilizando herramientas suministradas por el usuario, monte los bastidores de panel superior e inferior a la pared. Ambos marcos de montaje pueden acomodar pernos de onda de 5/16 pulgadas (8 mm).



Nota: Monte esta configuración con los rieles más largos hacia la parte inferior

Instalación de equipos

Debe tenerse en cuenta que el SRW08U22 puede soportar una carga de equipos de hasta 150 lb. (68 kg) como máximo.

Para el montaje de todos los otros equipos, consulte el Manual del propietario de dichos equipos para obtener instrucciones de instalación. En general, esta información puede encontrarse en las secciones "Montaje" y "Montaje en rack" del manual. Tripp Lite le proporciona 24 tornillos de montaje de equipos, incluidos en este paquete.

Almacenamiento y servicio

Almacenamiento

El rack debe almacenarse en un ambiente interior controlado, lejos de la humedad, temperaturas extremas, líquidos y gases inflamables, contaminantes conductores, polvo y luz solar directa. Si es posible, almacénelo en su contenedor de envío original.

Servicio

Su producto Tripp Lite está cubierto por la garantía descrita en este manual. Tripp Lite también pone a disposición una variedad de garantías extendidas y programas de servicio en el sitio. Para obtener más información sobre mantenimiento, visite www.tripplite.com/support. Antes de enviar el producto a mantenimiento, siga estos pasos:

1. Revise los procedimientos de instalación y operación descritos en este manual para asegurarse de que el problema de servicio no se origina en una mala comprensión de las instrucciones.
2. Si el problema continúa, no se comunique ni devuelva el producto al distribuidor. En su lugar, visite www.tripplite.com/support.
3. Si el problema requiere servicio, visite www.tripplite.com/support y haga clic en el enlace Devolución de productos. Aquí puede solicitar un número de autorización de devolución de mercadería (RMA), que es necesario para el servicio. En este simple formulario en línea se le pedirá el modelo y números de serie de su unidad, junto con otra información general sobre el comprador. El número RMA y las instrucciones para el envío se le enviarán por correo electrónico. Esta garantía no cubre ningún daño (directo, indirecto, especial o consecuencial) que el producto sufra durante el envío a Tripp Lite o un centro de servicio autorizado por Tripp Lite. Los productos que se envían a Tripp Lite o un centro de servicio autorizado por Tripp Lite debe tener prepagos los cargos de envío. Escriba el número RMA en el exterior del paquete. Si el producto se encuentra dentro del período de garantía, adjunte una copia del recibo de venta. Envíe el producto para servicio a través de un transportador asegurado a la dirección que se le proporcione cuando solicite el RMA.

Garantía

Garantía limitada por 5 años

El vendedor garantiza que este producto no tiene defectos originales de materiales ni de mano de obra por un período de cinco años a partir de la fecha original de compra, si se utiliza de acuerdo con todas las instrucciones correspondientes. En caso de demostrarse dentro de ese período que el producto tiene defectos de materiales o de mano de obra, el vendedor lo reparará o reemplazará a su exclusiva discreción.

ESTA GARANTÍA NO CUBRE EL DESGASTE NORMAL NI LOS DAÑOS CAUSADOS POR ACCIDENTES, MAL USO, ABUSO O NEGLIGENCIA. EL VENDEDOR NO OFRECE NINGUNA GARANTÍA EXPRESA QUE NO SEA LA ESTABLECIDA EXPRESAMENTE EN EL PRESENTE DOCUMENTO. EXCEPTO EN LA MEDIDA EN QUE LO PROHIBAN LAS LEYES APLICABLES, LA DURACIÓN DE TODAS LAS GARANTÍAS IMPLÍCITAS, INCLUIDAS LAS DE COMERCIALIZACIÓN O APTITUD, SE LIMITA AL PERÍODO DE GARANTÍA ANTES MENCIONADO Y ESTA GARANTÍA EXCLUYE EXPRESAMENTE TODOS LOS DAÑOS INCIDENTALES E INDIRECTOS. (Algunos Estados no permiten las limitaciones a la duración de una garantía implícita y algunos Estados no permiten la exclusión o limitación de los daños incidentales o indirectos, de modo que las limitaciones o exclusiones antes mencionadas pueden no corresponder en su caso. Esta garantía le otorga derechos legales específicos y usted puede tener otros derechos que varían de una jurisdicción a otra).

ADVERTENCIA: Antes de usar este dispositivo, cada usuario debe ocuparse de determinar si es apto, adecuado o seguro para el uso que pretende darle. Dado que las aplicaciones individuales están sujetas a diversas variaciones, el fabricante no representa ni garantiza la idoneidad o condición de estos dispositivos para cualquier aplicación específica.

Tripp Lite tiene la política de mejora continua. Las especificaciones del producto están sujetas a cambios sin notificación previa.



Excelencia en
Manufactura.

1111 W. 35th Street, Chicago, IL 60609 USA • www.tripplite.com/support

Manuel de l'utilisateur

Bâti à cadre ouvert à 2 supports configurable 8U/12U/22U monté au mur

Modèle : SRW08U22

Introduction	14
Consignes de sécurité importantes	14
Nomenclature des pièces	14
Installation/ Montage mural	15
Configuration 8U	15
Configuration 12U	16
Configuration 22U	17
Installation de l'équipement	18
Entreposage et service	18
Garantie	19
English	1
Español	7



1111 W. 35th Street, Chicago, IL 60609 USA • www.tripplite.com/support

Copyright © 2017 Tripp Lite. Tous droits réservés.

Introduction

Le SRW08U22 de Tripp Lite est la solution parfaite d'un bâti à cadre ouvert à 2 supports à options multiples pour les applications où l'espace est restreint. Les options 8U, 12U ou 22U de l'espace du bâti assure la flexibilité de la configuration sans avoir à acheter des accessoires supplémentaires pour le bâti; et tout ceci sous un facteur de forme monté au mur dans un endroit isolé. Le SRW08U22 accepte tout l'équipement standard monté sur bâti de 48,3 cm (19 po) compatible à un montage à 2 supports.

Consignes de sécurité importantes

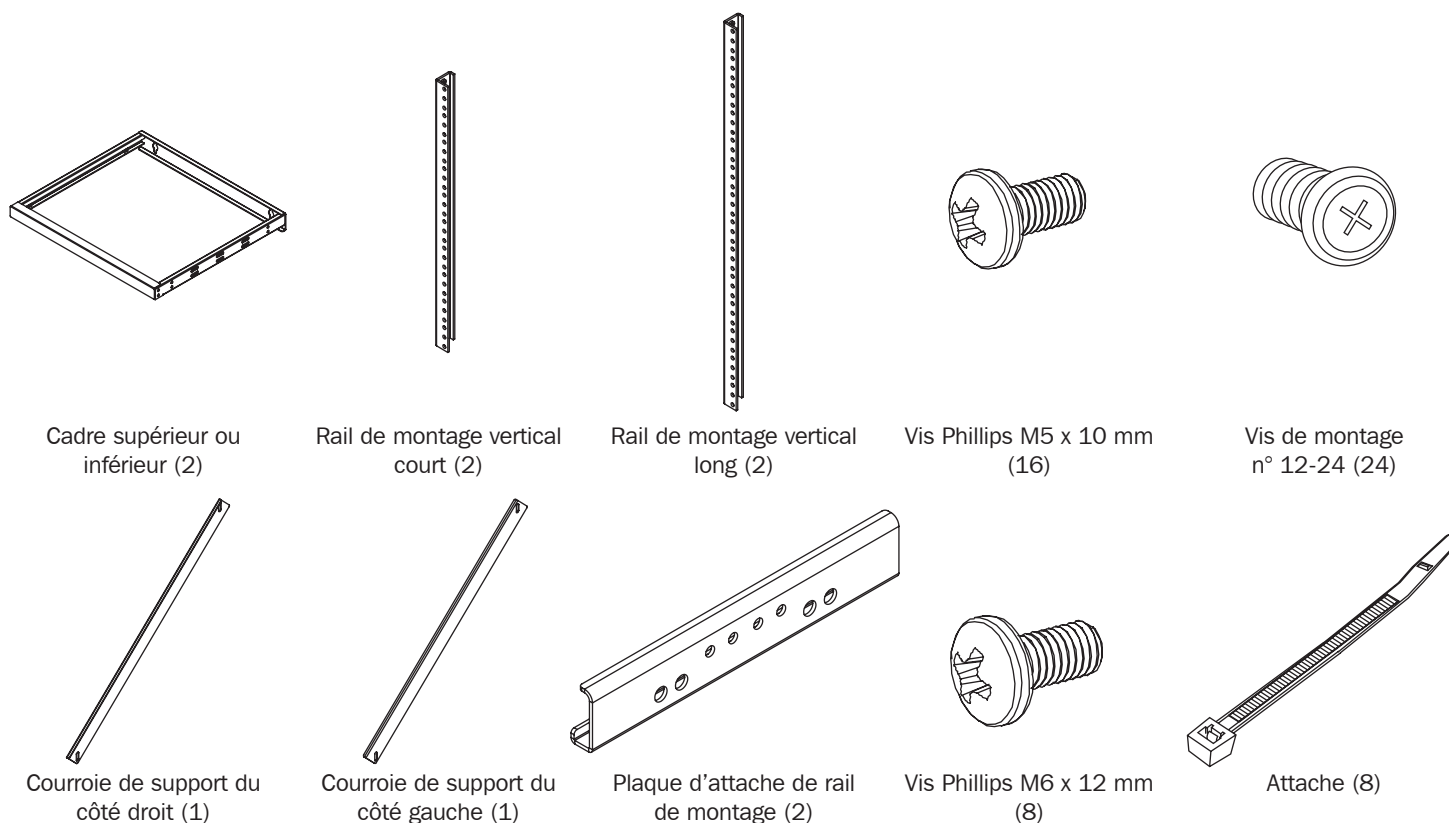


CONSERVEZ CES INSTRUCTIONS

Ce manuel contient des instructions et des mises en garde importantes qui doivent être suivies durant l'installation et l'utilisation du produit décrit dans ce manuel. Le non-respect de ces instructions et mises en garde risque d'annuler la garantie du produit et de causer des dommages à la propriété et des blessures personnelles.

- Maintenir le bâti dans un environnement intérieur contrôlé, à l'abri de l'humidité, des températures extrêmes, des liquides et des gaz inflammables, des contaminants conducteurs et de la poussière.
- Laisser un espace suffisant à l'avant du bâti pour garantir une bonne circulation d'air.
- Inspecter le conteneur d'expédition et le bâti pour vérifier s'il a été endommagé lors de l'expédition. Ne pas utiliser le bâti s'il a été endommagé.
- Laisser le bâti dans le conteneur d'expédition pour le déplacer aussi près que possible de l'emplacement final de l'installation.
- Installer le bâti dans une aire à structure solide capable de supporter le poids du bâti, de tout l'équipement qui sera installé dans le bâti et de tout autre équipement qui sera installé à proximité.
- Conserver tous les matériaux d'emballage pour une future utilisation. Réemballer et expédier l'armoire sans son emballage original pourrait causer des dommages qui pourraient annuler la garantie.
- Ne pas tenter d'installer le bâti sans aide.
- Ne pas tenter d'installer de l'équipement sans avoir d'abord monté au mur et stabilisé le bâti.
- Il est déconseillé d'utiliser cet équipement dans des applications médicales où une panne de cet équipement pourrait normalement provoquer la panne de l'équipement de survie ou altérer notablement sa sécurité ou son efficacité.

Nomenclature des pièces



Installation/Montage mural



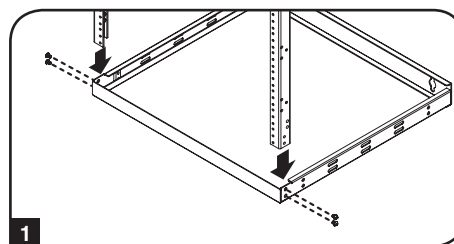
AVERTISSEMENT : Ne pas tenter d'installer le bâti au mur avec de l'équipement monté sur le bâti.

AVERTISSEMENT : La surface du mur, les poteaux de cloison et toute la quincaillerie servant au montage fournie par l'utilisateur doivent être capables de supporter le poids combiné du bâti et de tout l'équipement qui sera installé dans le bâti. Le bâti peut supporter une charge d'équipement allant jusqu'à un maximum de 68.2 kg (150 lb), également distribuée.

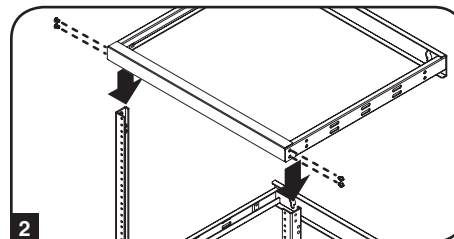
Remarque : Le couple recommandé pour serrer toutes les vis M5 est de 3,9 N•m.

Configuration 8U

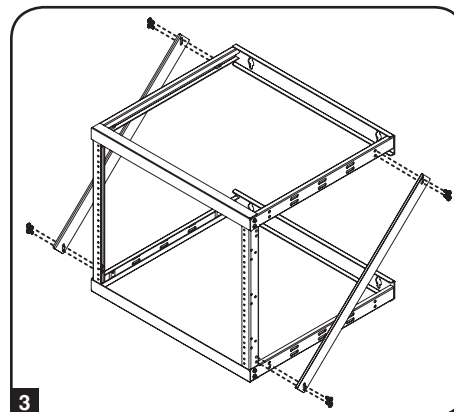
Étape 1 Insérer une extrémité des rails de montage verticaux courts dans les coins du cadre inférieur (les deux cadres peuvent être utilisés indifféremment pour le dessus ou le dessous) du côté opposé à celui du montage et les fixer de chaque côté au moyen de 2 vis Phillips M5 x 10.



Étape 2 Insérer l'autre extrémité des rails de montage verticaux courts dans les coins du cadre supérieur du côté opposé à celui du montage et les fixer de chaque côté au moyen de 2 vis Phillips M5 x 10.

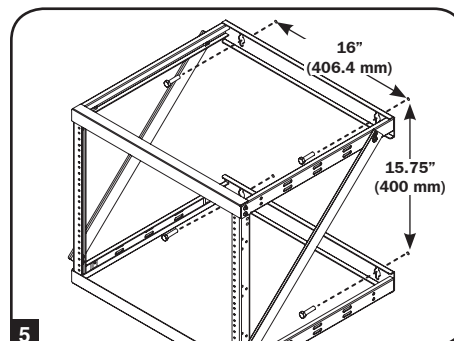


Étape 3 Attacher les courroies de support du côté droit et du côté gauche en fixant les vis Phillips M6 x 12 aux côtés du cadre du panneau supérieur et aux rails de montage verticaux.

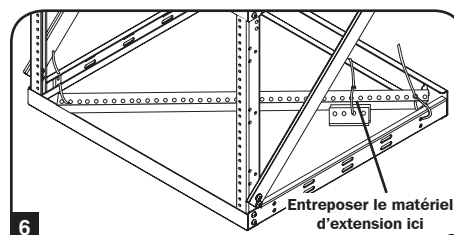


Étape 4 Avant de monter le bâti, localiser les montants du mur/de la surface de montage et prenez toutes les mesures et/ou marquer au moyen du gabarit conformément à la configuration que vous avez choisie (8U).

Étape 5 Utilisant la quincaillerie fournie par l'utilisateur, monter les cadres supérieur et inférieur au mur. Les deux cadres de montage peuvent accepter des tire-fond de 8,2 mm (5/16 po).



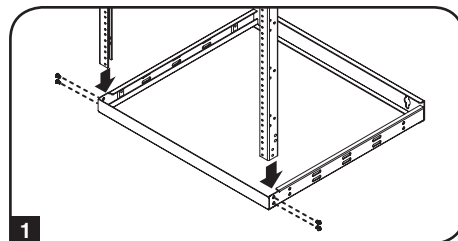
Étape 6 Au moyen des attaches mono-usage incluses dans le sac de matériel d'extension, il est possible de ranger les rails de montage 12U (longs) supplémentaires en plus du reste du matériel d'extension (plaques d'attache de rail de montage, les 8 vis Phillips M5 et les attaches mono-usage) à l'intérieur du sac dans lequel le matériel d'extension était emballé. Il est important de conserver le matériel non utilisé au cas où vous souhaiteriez développer la configuration à une date ultérieure.



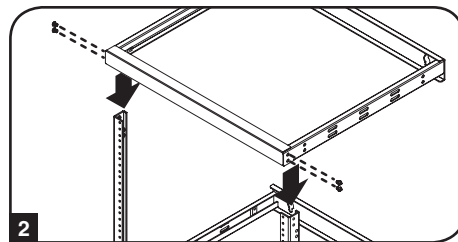
Installation/Montage mural (suite)

Configuration 12U

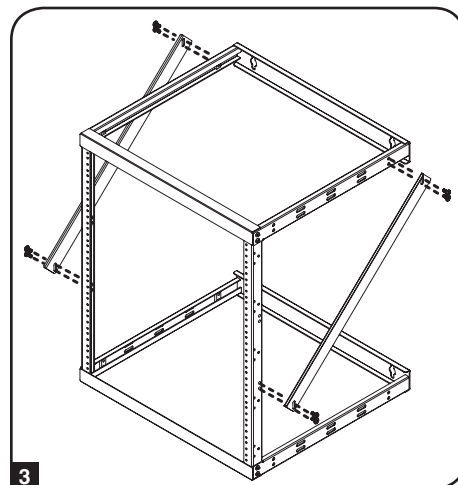
Étape 1 Insérer une extrémité des rails de montage verticaux courts dans les coins du cadre inférieur (les deux cadres peuvent être utilisés indifféremment pour le dessus ou le dessous) du côté opposé à celui du montage et les fixer de chaque côté au moyen de 2 vis Phillips M5 x 10.



Étape 2 Insérer l'autre extrémité des rails de montage verticaux courts dans les coins du cadre supérieur du côté opposé à celui du montage et les fixer de chaque côté au moyen de 2 vis Phillips M5 x 10.

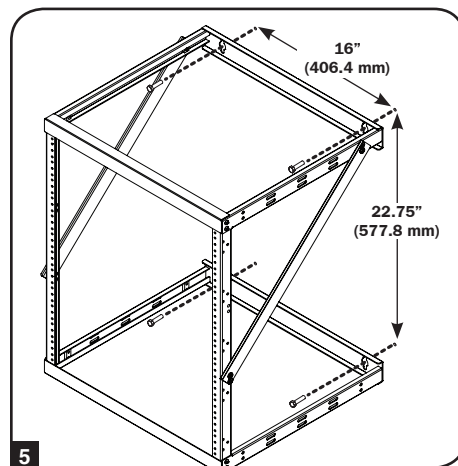


Étape 3 Attacher les courroies de support du côté droit et du côté gauche en fixant les vis Phillips M6 x 12 aux côtés du cadre du panneau supérieur et aux rails de montage verticaux.

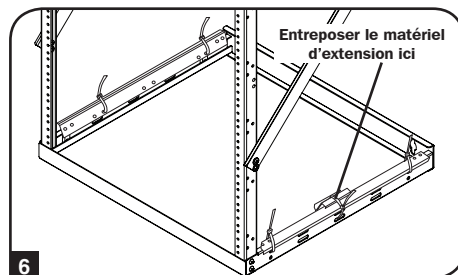


Étape 4 Avant de monter le bâti, localiser les montants du mur/de la surface de montage et prenez toutes les mesures et/ou marquer au moyen du gabarit conformément à la configuration que vous avez choisie (12U).

Étape 5 Utilisant la quincaillerie fournie par l'utilisateur, monter les cadres supérieur et inférieur au mur. Les deux cadres de montage peuvent accepter des tire-fond de 8,2 mm (5/16 po).



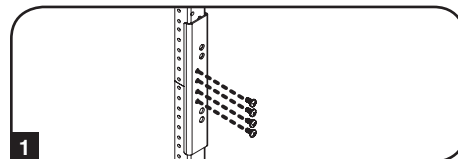
Étape 6 Au moyen des attaches mono-usage incluses dans le sac de matériel d'extension, il est possible de ranger les rails de montage 8U (courts) supplémentaires en plus du reste du matériel d'extension (plaques d'attache de rail de montage, les 8 vis Phillips M5 et les attaches mono-usage) à l'intérieur du sac dans lequel le matériel d'extension était emballé. Il est important de conserver le matériel non utilisé au cas où vous souhaiteriez développer la configuration à une date ultérieure.



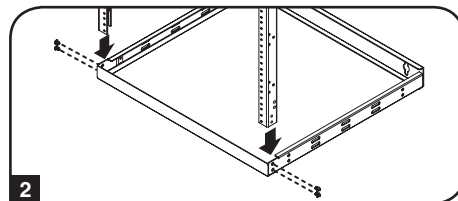
Installation/Montage mural (suite)

Configuration 22U

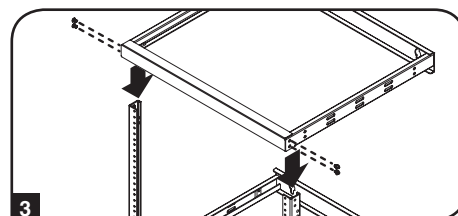
Étape 1 Utiliser une des plaques d'attaché des rails de montage et 4 vis Phillips M5 x 10, raccorder un ensemble de rails de montage verticaux courts et longs. Répéter cette étape pour l'autre ensemble de rails.



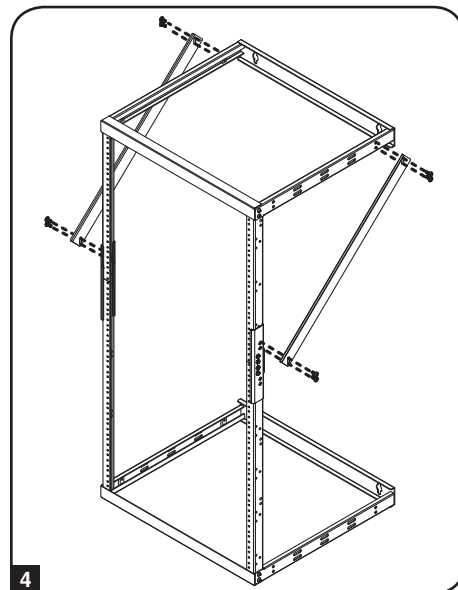
Étape 2 Insérer une extrémité des combiné rails de montage verticaux courts dans les coins du cadre supérieur du côté opposé à celui du montage et les fixer de chaque côté au moyen de 2 vis Phillips M5 x 10.



Étape 3 Insérer l'autre extrémité des combiné rails de montage verticaux courts dans les coins du cadre supérieur du côté opposé à celui du montage et les fixer de chaque côté au moyen de 2 vis Phillips M5 x 10.



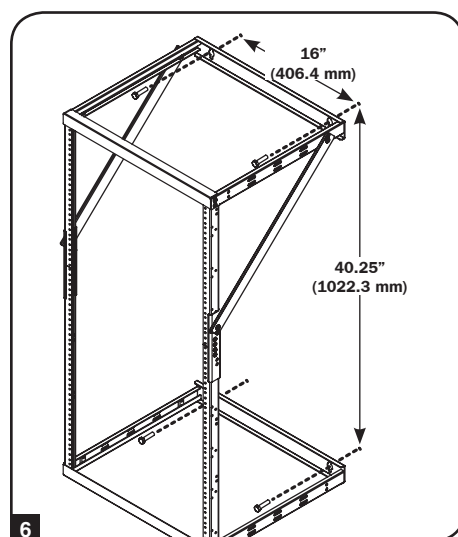
Étape 4 Attacher les courroies de support du côté droit et du côté gauche en fixant les vis Phillips M6 x 12 aux côtés du cadre du panneau supérieur et aux rails de montage verticaux.



Étape 5 Avant de monter le bâti, localiser les montants du mur/de la surface de montage et prenez toutes les mesures et/ou marquer au moyen du gabarit conformément à la configuration que vous avez choisie (22U).

Étape 6 Utiliser la quincaillerie fournie par l'utilisateur, monter les cadres supérieur et inférieur au mur. Les deux cadres de montage peuvent accepter des tire-fond de 8,2 mm (5/16 po).

Remarque : Monter cette configuration en plaçant les rails longs en bas.



Installation de l'équipement

Il est à noter que le SRW08U22 peut supporter une charge totale d'équipement pouvant aller jusqu'à 68,2 kg (150 lb). S'assurer également que les deux goupilles de sécurité ont été insérées pour stabiliser le bâti. Le bâti ne doit pas bouger du tout durant l'installation de l'équipement (voir la section Installation).

Pour le montage de tout autre équipement, veuillez vous référer au Guide de l'utilisateur prévu pour cet équipement pour des instructions relatives à l'installation de l'équipement. Normalement, ces informations sont disponibles dans les sections « Montage » ou « Montage sur bâti » du guide. Tripp Lite vous a fourni 24 vis de montage pour l'équipement qui sont incluses dans cet emballage.

Entreposage et Service

Entreposage

L'armoire devrait être entreposée dans un environnement intérieur contrôlé, à l'abri de l'humidité, des températures extrêmes, des liquides et des gaz inflammables, des contaminants conducteurs, de la poussière et de la lumière directe du soleil. Entreposer l'armoire dans son conteneur d'expédition original si possible.

Service

Cette armoire est couverte par la garantie limitée décrite dans ce manuel. Des programmes de garantie prolongée et de service sur place sont également offerts par Tripp Lite. Pour plus de renseignements sur ce service, visitez www.tripplite.com/support. Avant de retourner votre produit pour service, suivez les étapes suivantes :

1. Passer en revue les procédures d'installation et d'opération de ce manuel afin de vous assurer que le problème en question ne provient pas d'une fausse interprétation des instructions.
2. Si le problème persiste, ne pas contacter ou retourner le produit au détaillant. Visitez plutôt www.tripplite.com/support.
3. Si le problème nécessite des réparations, visitez www.tripplite.com/support et cliquez sur le lien Product Returns (Retour des produits). À partir de ce lien, vous pouvez demander un numéro d'autorisation de retour de matériel (RMA) qui est requis pour une réparation. Ce formulaire simple en ligne vous demandera le modèle de l'unité et le numéro de série ainsi que d'autres renseignements généraux sur l'acheteur. Le numéro RMA ainsi que les instructions relatives à l'expédition vous seront envoyés par courriel. Tout dommage (direct, indirect, spécial ou consécutif) que le produit pourrait subir au cours de l'expédition à Tripp Lite ou à un centre de réparation reconnu par Tripp Lite n'est pas couvert sous cette garantie. Les produits envoyés à Tripp Lite ou un centre de réparation reconnu par Tripp Lite doivent être envoyés en port prépayé. Inscrive le numéro RMA à l'extérieur de l'emballage. Si le produit est encore à l'intérieur de la période de garantie, veuillez inclure une copie de votre facture. Retourner le produit pour réparation en utilisant un transporteur assuré à l'adresse qui vous sera donnée lors de votre demande de RMA.

Garantie

Garantie limitée de 5 ans

Le vendeur garantit que ce produit, s'il est utilisé conformément aux instructions applicables, sera libre de défauts de matériaux et de main-d'œuvre pendant une période de 5 ans à partir de la date d'achat initiale. Si le produit présente un défaut de matériaux ou de main-d'œuvre pendant cette période, le vendeur s'engage à le réparer ou à le remplacer, à sa seule discrétion.

CETTE GARANTIE DE S'APPLIQUE PAS À L'USURE NORMALE OU AUX DOMMAGES RÉSULTANT D'UN ACCIDENT, D'UN MAUVAIS USAGE OU D'UNE NÉGLIGENCE. LE VENDEUR N'ACCORDE AUCUNE AUTRE GARANTIE EXPRESSE QUE CELLE MENTIONNÉE EXPRESSÉMENT DANS LA PRÉSENTE. SAUF DANS LA MESURE INTERDITE PAR LES LOIS PERTINENTES, TOUTES LES GARANTIES IMPLICITES, Y COMPRIS LES GARANTIES DE QUALITÉ MARCHANDE OU D'ADÉQUATION À UN USAGE PARTICULIER, SONT LIMITÉES À LA DURÉE DE LA PÉRIODE DE GARANTIE SUSMENTIONNÉE ET LA PRÉSENTE GARANTIE EXCLUT EXPRESSÉMENT TOUS LES DOMMAGES FORTUITS ET CONSÉCUTIFS. (Certaines juridictions n'autorisant pas de limitation de la durée de la garantie implicite et d'autres l'exclusion ou la limitation des dommages fortuits ou consécutifs, les limitations ou exclusions mentionnées ci-dessus peuvent ne pas s'appliquer à votre cas. La présente garantie vous donne des droits spécifiques et vous pouvez jouir d'autres droits qui varient d'une juridiction à une autre.

AVERTISSEMENT : Avant tout usage, l'utilisateur doit déterminer si le dispositif est adapté à l'emploi prévu et si, le cas échéant, il ne présente aucun danger. Comme les applications peuvent différer considérablement les unes des autres, le fabricant ne fait aucune déclaration ni n'accorde aucune garantie quant à l'adéquation de ces appareils à une application donnée.

La politique de Tripp Lite en est une d'amélioration continue. Les spécifications sont sujettes à changement sans préavis.



1111 W. 35th Street, Chicago, IL 60609 USA • www.tripplite.com/support