

**PROTECT
YOUR INVESTMENT!**
Completed and signed start-up
forms **MUST** be submitted and approved
by Tripp Lite to activate your warranty.



Owner's Manual

SmartOnline™ 3-Phase UPS Systems

Models: SU20KX, SU40KX, SU60KX, SU80KX
Input/Output: 220/380V, 230/400V or 240/415V AC, 3 ϕ , 4-wire + PE

Not suitable for mobile applications.



Table of Contents

1	Introduction	3
2	Important Safety Instructions	4
3	Control Panel Features	6
4	Front and Rear Panel Features	7
5	Cabinet Installation	9
5-1	Preparation	9
5-2	Unpacking	9
5-3	Placement	10
6	Internal Battery Connection (Models SU20KX and SU40KX Only)	11
6-1	Internal Battery Wiring Diagrams	11
6-2	Internal Battery Connection Procedure	13
7	Wiring	16
7-1	Wiring Warnings	16
7-2	Wiring Preparation	16
7-3	UPS System Terminal Block Diagram	17
7-4	External Battery Cabinet Wiring Diagrams	17
7-5	Electrical and Cable Data	18
7-6	External Battery Cabinet Wiring	19
7-7	AC Input/Output Wiring (Single UPS)	20
7-8	AC Input/Output Wiring (Parallel UPS – Single Input)	21
7-9	AC Input/Output Wiring (Parallel UPS – Dual Inputs)	21
8	Operating Modes	22
8-1	Online (Normal) Mode (Single UPS)	22
8-2	Battery Backup Mode (Single UPS)	22
8-3	Auto Bypass Mode (Single UPS)	22
8-4	Manual Bypass Mode (Single UPS)	22
8-5	Online Mode (Parallel UPS)	23
8-6	Battery Backup Mode (Parallel UPS)	23
8-7	Auto Bypass Mode (Parallel UPS)	23
8-8	Manual Bypass Mode (Parallel UPS)	24
8-9	Hot Standby Mode (Parallel UPS)	24
9	Start-Up, Shutdown and Bypass	25
9-1	Control Panel and Breaker Diagrams	25
9-2	Preliminary Checklist (Single UPS)	25
9-3	Normal Start-Up Procedure (Single UPS)	25
9-4	Battery Start-Up Procedure (Single UPS)	26
9-5	Manual Bypass Procedure (Single UPS)	27
9-6	Shutdown Procedure (Single UPS)	27
9-7	Preliminary Checklist (Parallel UPS)	28
9-8	Start-Up Procedure (Parallel UPS)	29
9-9	Shutdown Procedure (Parallel UPS)	30
9-10	Manual Bypass Procedure (Parallel UPS)	31
9-11	Switching from Manual Bypass to Normal (Parallel UPS)	32

10	Display and Configuration	33
10-1	Control Panel Diagram	33
10-2	Display Hierarchy	33
10-3	Default Display	34
10-3-1	Status Display	34
10-4	Main Menu	37
10-5	UPS Setup	39
10-5-1	Bypass Setup	40
10-5-2	Output Setup	41
10-5-3	Battery Setup	43
10-5-4	Charger Setup	46
10-5-5	Parallel Setup	47
10-5-6	Control & Test Setup	48
10-5-7	Local Setup	50
10-6	Maintenance	53
11	Communications	55
11-1	Communications Interfaces	55
11-2	SNMPWEBCARD Slot	55
11-3	Input Dry Contact Interface	55
11-4	Remote Emergency Power Off (EPO) Circuit Diagram	56
11-5	Auxiliary Dry Contact Input Circuit Diagram	56
11-6	External Battery Cabinet Temperature Inputs	56
11-7	External Battery Status Input	56
11-8	Output Dry Contact Interface Detail	57
11-9	Output Dry Contact Circuit Diagram	58
11-10	RS-232 Serial Port Circuit Diagram	58
11-11	Parallel Configuration Port	58
12	Specifications	59
12-1	UPS System Technical Specifications	59
12-2	UPS System Floor Loading Table	59
12-3	Battery Pack Floor Loading Table	59
13	Storage and Service	60
14	Warranty	60
	Español	61
	Français	121
	Русский	181

Tripp Lite's SmartOnline 3-Phase UPS Systems (Models SU20KX, SU40KX, SU60KX and SU80KX) are ideal for backing up and protecting data centers, telecommunications (VoIP), networks, industrial facilities, security/emergency systems and more.

Advanced Features:

- True on-line double conversion with superior IGBT inverter technology
- Low input current THD allows 1:1 generator sizing for maximum efficiency and cost savings
- Internal N+1 power module redundancy (SU40KX, SU60KX and SU80KX)
- Built-in parallel or hot standby redundancy (1+1) capability for increased capacity or fault-tolerance
- Up to 80kVA capacity in a compact footprint; up to 160kVA in parallel configuration
- High input power factor and high efficiency with low thermal loss and low noise
- Simplified, easy-to-repair, long-life, high-availability system design
- Redundant auxiliary power and control circuits
- Dual input design with separated rectifier and bypass input
- All models support external battery cabinets for extended battery backup runtime
- High-resolution LCD status screen simplifies operation and delivers detailed operational information, including system block diagrams



2 – Important Safety Instructions

SAVE THESE INSTRUCTIONS

All sections of this manual contains instructions and warnings that should be followed during the installation and operation of the UPS systems described in this manual. Read all instructions thoroughly before attempting to move, install or operate the UPS systems described in this manual. Failure to comply may invalidate the warranty and cause property damage and/or personal injury.

Location Warnings

- Install the UPS system in a controlled indoor environment, away from moisture, temperature extremes, flammable liquids and gasses, conductive contaminants, dust and direct sunlight.
- Install the UPS system in a level, structurally sound location.
- The UPS system is extremely heavy; be extremely careful when moving or lifting the unit.
- Operate the UPS system at indoor temperatures between 32° F and 104° F (0° C and 40° C) only. For best results, maintain indoor temperatures between 62° F and 84° F (17° C and 29° C).
- Leave adequate space around all sides of the UPS system for proper ventilation. Do not block, cover or insert objects into the external ventilation openings of the cabinet.
- Do not place any object on the unit, especially containers of liquid.
- Do not mount the unit with its front or rear panel facing down (at any angle). Mounting in this manner will seriously inhibit the unit's internal cooling, eventually causing product damage not covered under warranty.
- Do not install the UPS system near magnetic storage media, as this may result in data corruption. Keep all recorded magnetic media a minimum of 60 cm (24 inches) away from the UPS system.
- Do not attempt to stack the UPS system. Attempting to stack the UPS system may cause permanent damage and create a potential for serious personal injury.
- The casters are designed for minor position adjustments within the final installation area only. The casters are not designed for moving the UPS system over longer distances.
- The casters are not designed to provide long-term support for the UPS system after final installation. Use the levelers to provide long-term support.
- When moving the UPS system, push from the front or rear, not from the sides.
- Do not attempt to unpack or move the UPS system without assistance.

Connection Warnings

- **The power supply for the UPS system must be 3-phase rated in accordance with the equipment nameplate. It also must be suitably grounded and wired according to all applicable national and local electrical wiring standards, codes and regulations.**
- The UPS system contains hazardous high voltages that have the potential to cause personal injury or death from electric shock.
- The UPS system has its own energy source (battery – internal and/or external). The output terminals may be live even when the UPS system is not connected to an AC supply.
- If the UPS system receives power from a motor-powered AC generator, the generator must provide clean, filtered, computer-grade output.
- Use of this equipment in life support applications where failure of this equipment can reasonably be expected to cause the failure of the life support equipment or to significantly affect its safety or effectiveness is not recommended. Do not use this equipment in the presence of a flammable anesthetic mixture with air, oxygen or nitrous oxide.
- The UPS system is designed to power modern computer loads and associated peripheral devices. Do not use the UPS system to power pure inductive or capacitive loads.
- Input and output wiring should be performed by trained, qualified electricians only.
- Due to high leakage current, a proper earth ground connection is essential before connecting the AC supply.
- Isolate the UPS system before working on the circuit. An easily accessible disconnect device should be incorporated in the fixed wiring. The disconnect device must disconnect all line conductors simultaneously when opened.

2 – Important Safety Instructions

2

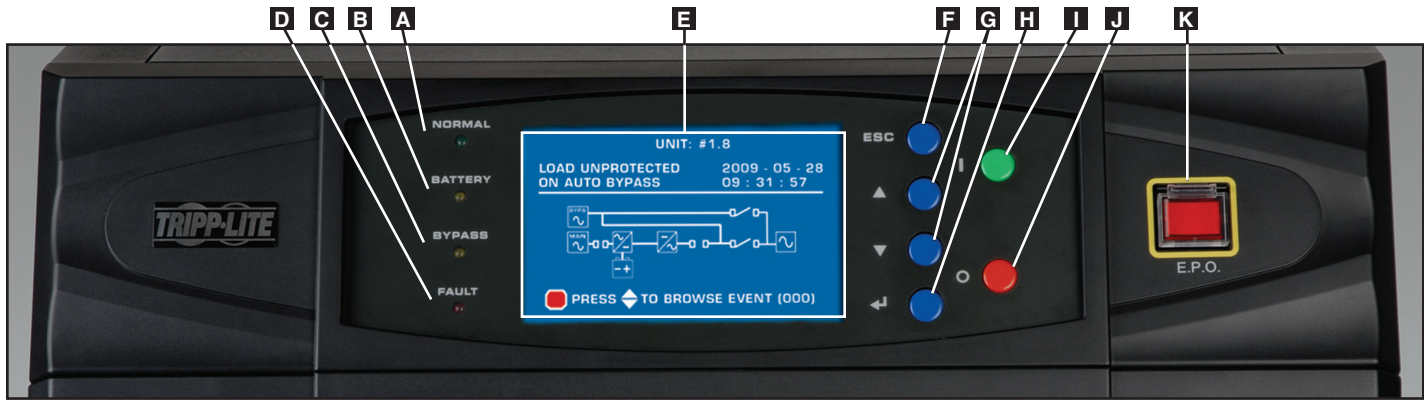
Battery Warnings

- The UPS system does not require routine maintenance. There are no user-serviceable parts inside. Only qualified service personnel should open the access panels for any reason.
- Batteries present a risk of electrical shock and burns from high short-circuit current. Battery connection or replacement should be performed only by qualified service personnel, observing proper precautions. Turn off the UPS system before connecting or disconnecting internal batteries. Use tools with insulated handles. Do not open the batteries. Do not short or bridge the battery terminals with any object.
- Replace batteries with equivalent batteries available from Tripp Lite. Do not operate the UPS system without batteries.
- The batteries are recyclable. Refer to local codes for disposal requirements.
- Do not dispose of the batteries in a fire, mutilate the batteries or open the battery coverings.
- Battery fuses should be replaced by qualified service personnel only. Blown fuses must be replaced with the same number and type of fuses.
- Potentially lethal voltages exist within the UPS system as long as the battery supply is connected. Service and repair should be performed by trained personnel only, while the UPS system is turned off or placed into bypass mode. Disconnect internal batteries (if present) before performing any service work by switching off the internal battery circuit breaker and removing the battery fuse(s). Disconnect external batteries (if present) by switching off the external battery cabinet breaker and disconnecting the external battery cabling from the UPS system.
- Do not connect or disconnect batteries when the UPS system is operating from the battery supply or when the unit is not in bypass mode.
- Do not remove the plastic sleeves covering internal batteries.
- Internal and external batteries must be replaced by equivalent batteries available from Tripp Lite.
- Before connecting an external battery cabinet to the UPS system, read the external battery cabinet's documentation. Use only external battery cabinets that have been approved by Tripp Lite.
- If the UPS system remains off for an extended period of time, it should be turned on periodically to allow the batteries to recharge. The UPS system should be turned on and the batteries should be recharged at least one uninterrupted 24-hour period every 3 months. Failure to recharge the batteries periodically may cause irreversible battery damage.

Wiring Warnings

- See [Section 7-1](#) for wiring warnings

3 – Control Panel Features



- A** **“NORMAL” LED:** This green light illuminates to indicate that the UPS system is in online (normal) mode. The primary AC input supply is present and within standard operating parameters.
- B** **“BATTERY” LED:** This amber light illuminates when the UPS system is in battery backup mode, discharging the batteries to provide power to connected equipment. An audible alarm will also sound.
- C** **“BYPASS” LED:** This amber light illuminates when the UPS system is in bypass mode (auto bypass or manual bypass). Battery backup power will not be available to connected equipment while the UPS system is in bypass mode, but connected equipment loads will be supported by the bypass (reserve) power source.
- D** **“FAULT” LED:** This red light illuminates when any UPS system or input power fault occurs. Available diagnostic information will be displayed on the LCD screen.
- E** **LCD Status Screen:** This illuminated LCD status screen displays text and graphics to indicate a wide range of UPS system operating conditions and diagnostic data. *Note: The LCD backlight will turn off after 10 minutes of inactivity. Turn on the backlight by momentarily pressing the ON button or one of the scroll buttons.*
- F** **“ESC” (Escape) Button:** Press this button to return to the previous page or menu.
- G** **Scroll Buttons (▲ and ▼):** Press these buttons to move the cursor up or down and navigate the control panel menus and screens. These buttons are also used for data entry in several screens.
- H** **Enter Button (↵):** Press this button to select a menu item or confirm a setting change.
- I** **ON Button:** Press and hold this button for 3 seconds to turn the UPS system’s inverter ON.
- J** **OFF Button:** Press and hold this button for 3 seconds to turn the UPS system’s inverter OFF. If the UPS system is in online (normal) mode, it will switch to auto bypass mode.
Note: Switching the inverter OFF does not stop the converter stage of the UPS and therefore, the connected battery is still charging as required.
Note: After switching the inverter OFF, if the battery circuit breaker or AC main input circuit breaker are opened and remain open for an extended period of time, the batteries should be recharged periodically. At a minimum, the batteries should be charged for an uninterrupted 24-hour period every 3 months to maintain their longest usable life. Failure to recharge the batteries may cause irreversible battery damage.
- K** **“EPO” (Emergency Power Off) Button:** Press this button to turn the UPS system’s output OFF and also disable bypass output.

If the UPS system is in battery backup mode when the EPO button is activated:

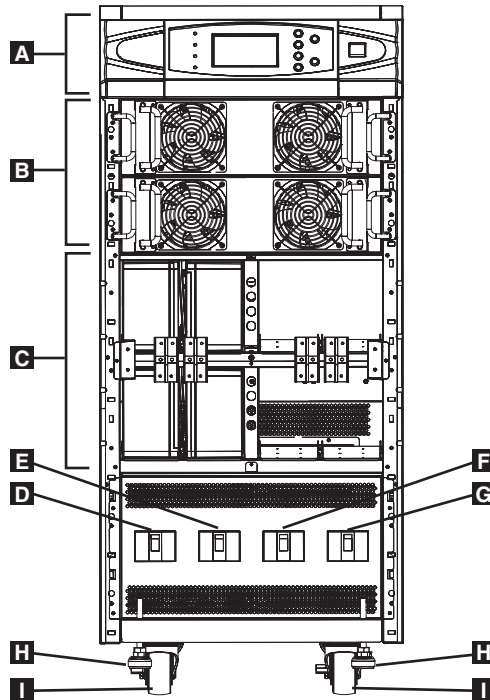
- Main output and bypass output are turned off, the alarm sounds, fans shut down after approximately one minute, and control circuitry remains active.
- Releasing the EPO button (by pressing it again) turns off the UPS system completely, including the alarm and control circuit. Press the ON button for 3 seconds to restart the UPS system.

If the UPS system is in online (normal) mode when the EPO button is activated:

- Main output and bypass output are turned off, the alarm sounds, fans and control circuitry remain active.
- Releasing the EPO button (by pressing it again) turns off the alarm and places the UPS system in auto bypass mode. Press the ON button for 3 seconds to return the UPS system to online (normal) mode.

See [Section 10 – Display and Configuration](#) for detailed information about the control panel’s menus and displays.

4 – Front and Rear Panel Features

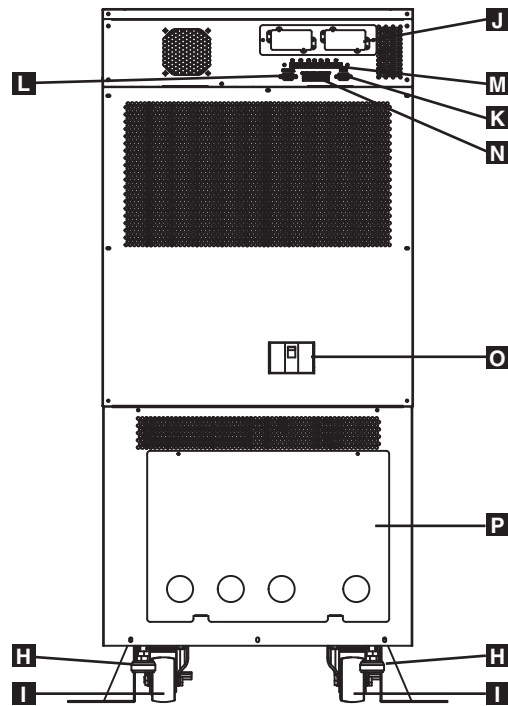


SU40KX shown (front)

Note: Individual models may vary from diagrams. Unit shown with front bezels removed.

- A Control Panel:** The control panel allows the operator to monitor and control the UPS system. See [Section 3 – Control Panel Features](#) for more information.
- B Internal Power Modules:** 20kVA internal power modules can be replaced in the field without powering down connected equipment loads. The number of internal power modules varies by model. The internal power modules are capable of N+1 redundancy in SU40KX, SU60KX and SU80KX models.
- C Internal Battery Pack Compartment (SU20KX and SU40KX only):** Internal batteries must be connected by a qualified electrician. See [Section 6 – Internal Battery Connection](#) for more information.
- D Output Circuit Breaker Switch (Q4):** Controls AC output power.
- E Manual Bypass Circuit Breaker Switch (Q3):** Controls AC input power to the UPS system during manual bypass operation.
- F Bypass Input Circuit Breaker Switch (Q2):** Controls AC input power to the UPS system during auto bypass operation.
- G Main Input Circuit Breaker Switch (Q1):** Controls AC input power to the UPS system during online (normal) operation.
- H Levelers:** The levelers provide long-term support for the UPS system.
- I Casters:** The casters are designed for small position adjustments within the final installation location only; they are not designed for moving the UPS system over longer distances. The casters are not designed to provide long-term support for the UPS system after final installation. Use the levelers to provide long-term support.

4 – Front and Rear Panel Features (continued)



SU40KX shown (rear)

Note: Individual models may vary from diagrams. Unit shown with front bezels removed.

- H Levelers:** The levelers provide long-term support for the UPS system.
- I Casters:** The casters are designed for small position adjustments within the final installation location only; they are not designed for moving the UPS system over longer distances. The casters are not designed to provide long-term support for the UPS system after final installation. Use the levelers to provide long-term support.
- J Accessory Slot:** Remove the cover panel to install a Tripp Lite SNMPWEBCARD accessory. The SNMPWEBCARD accessory provides an Ethernet interface for the UPS system and enables remote monitoring and control via SNMP, Web browser or telnet. Visit www.tripplite.com for more information about the SNMPWEBCARD accessory.
- K RS-232 Serial Communications Port:** This DB9 port connects the UPS system to compatible workstations or servers, enabling automatic shutdown during extended blackouts and monitoring of operating and power conditions.
- L Parallel Configuration Port:** This DB9 port connects the UPS system to another UPS system of identical type and capacity for use in a parallel redundancy (1+1) configuration. See [Section 7 – Wiring](#) and [Section 8 – Operating Modes](#) for more information.
- M Input Dry Contact Interface:** This interface receives dry contact signals that allow the UPS system to receive commands and monitor external battery conditions. See [Section 11 - Communications](#) for more information.
- N Output Dry Contact Interface:** This interface allows the UPS system to send information via dry contact communications. See [Section 11 – Communications](#) for more information.
- O Internal Battery Circuit Breaker Switch (Q5) (SU20KX and SU40KX only):** Controls the input/output power of the UPS system’s internal batteries.
- P Terminal Block Cover:** Remove the terminal block cover to access the UPS system’s input, bypass input, external battery cabinet, output and grounding connection terminals. Wiring conduits pass through the circular knockouts in the terminal block cover. See [Section 7 – Wiring](#) for more information, including a detailed diagram of the terminal block.

5 – Cabinet Installation



Read **Section 2 – Important Safety Instructions** Before Installation

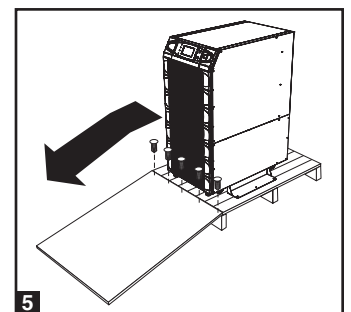
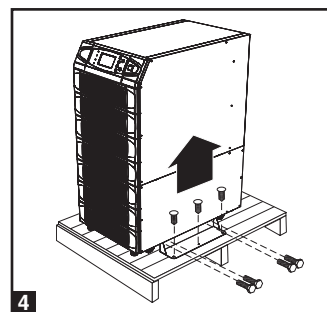
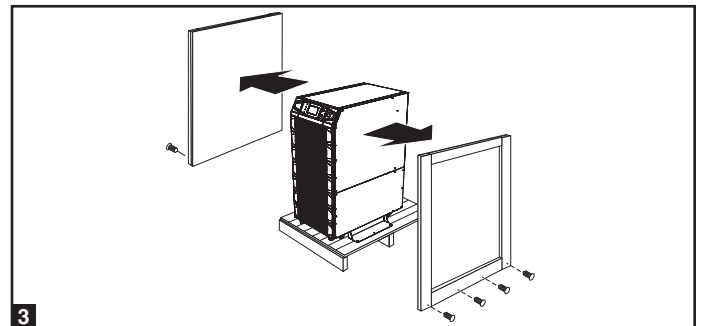
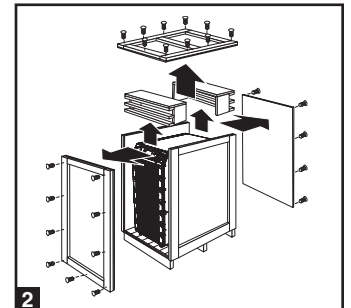
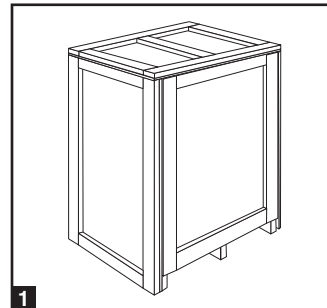


5-1 Preparation

The UPS system must be installed in a structurally sound area with a level floor that is able to bear the weight of the UPS system, any external battery cabinet and other equipment that will be installed nearby. The installation site should also have a dedicated AC circuit available that is compatible with the UPS system's input requirements. (See **Section 12 – Specifications** for details on input requirements and floor loading requirements.) Before unpacking the unit, you should transport the shipping container closer to the final installation site to minimize the distance you will need to move the unit after the protective shipping container has been removed. If you plan to store the UPS system for an extended period before installation, follow the instructions in **Section 13 – Storage and Service**. (Unpacking and storage instructions are also printed on the "Unpacking and Storage Instructions" sheet secured to the shipping container.) **Warning: Do not attempt to unpack or move the UPS system without assistance.**

5-2 Unpacking

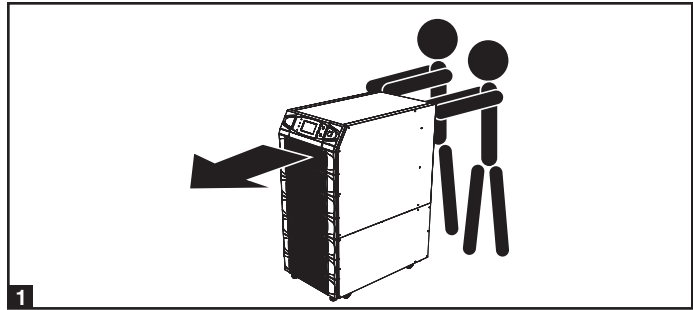
- 1** Inspect the shipping container(s) for visible damage. If you determine that the unit has been damaged during shipping, contact Tripp Lite for assistance. Do not attempt to use the UPS system if it has been damaged or mishandled.
- 2** Confirm that the shipping container is upright and use a screwdriver to remove its top panel, front panel and back panel. Also remove the plastic wrap and interior cushioning material. Confirm that the model name and rating at the rear of the cabinet match the unit you ordered. Examine the cabinet for any damaged or loosened parts. Confirm that the shipping container includes the accessories that ship with the unit. The UPS system should include an RS-232 serial cable, a parallel redundancy cable, a remote EPO wiring connector, a dry contact input connector (4 contacts), a dry contact output connector (12 contacts) and a software CD-ROM. If anything is missing or damaged, contact Tripp Lite for assistance.
- 3** Confirm that the unit is stable, then remove the side panels from the shipping container.
- 4** Remove the bolts from the shipping brackets securing the unit to the pallet, then remove the shipping brackets from the UPS system. **Warning: Be extremely careful, as the unit could shift unexpectedly.**
- 5** Use several of the screws you removed in step 2 to attach the top panel of the shipping container to the front edge of the shipping pallet. The smooth surface of the panel should face upward so that it can be used as a ramp for rolling the unit off the shipping pallet. Do not attempt to use the top panel as a ramp if it is cracked or otherwise structurally damaged. Make sure the casters at the bottom of the unit are unlocked. Using extreme caution, slowly roll the unit down the ramp with the aid of several assistants.



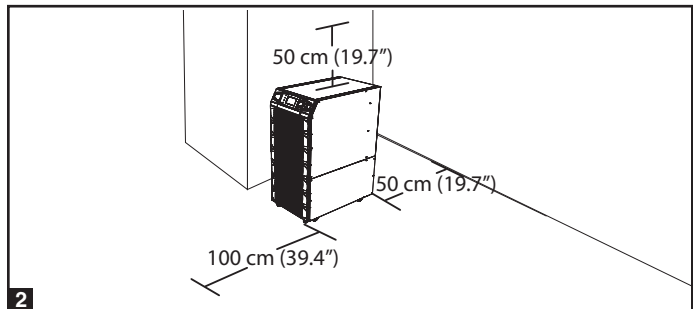
5 – Cabinet Installation (continued)

5-3 Placement

1 Use the casters to move the UPS system for a short distance over a level, smooth, stable surface. Do not attempt to use the casters to move the UPS system over longer distances. The UPS system should be moved close to its final installation location inside its shipping container before it is unpacked from the shipping container. Use a mechanical device of sufficient capacity to move the shipping container. **Warning: The UPS system could tip if it is moved over an unstable surface. Be extremely careful when moving the UPS system. Push the UPS system from the front or rear, not from the sides.**



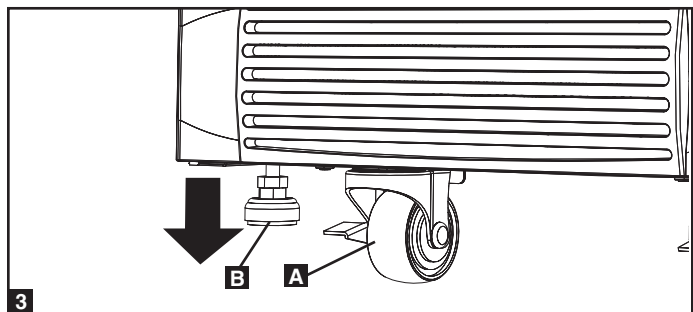
2 Position the UPS system in a structurally sound area with a level floor that is able to bear the weight of the UPS system, any external battery cabinets and other equipment that will be installed nearby. The installation site should also have a dedicated AC circuit available that is compatible with the UPS system's input requirements. (See the **Section 12 – Specifications** for more information about input requirements and floor loading requirements.) The UPS system must be installed in a clean, secure environment with a relative humidity less than 90% (non-condensing). Operate the UPS system at indoor temperatures between 17° C and 29° C (62° F and 84° F). Prevent damage to cabling by using suitable protective conduits. In order to maintain proper airflow and service access, you must maintain the following clearances:



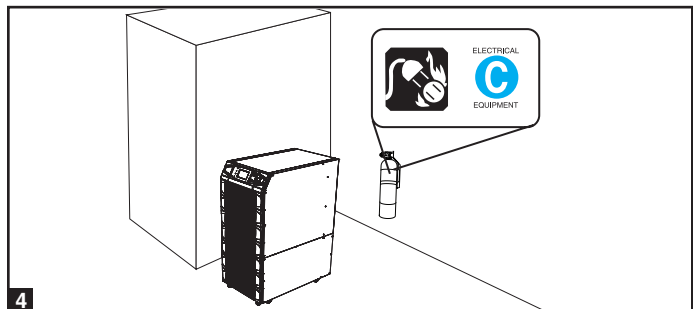
- At least 100 cm (39.4") clearance in front of the UPS system.
- At least 50 cm (19.7") clearance behind the UPS system.
- At least 50 cm (19.7") clearance above the UPS system.

Warning: The cooling fans circulate air from front to back. Do not use any air conditioning or fan that blows air directly toward the rear of the UPS system.

3 After moving the UPS system to its final location, lock the casters **A** and use the levelers **B** to stabilize the cabinet. Ensure that all four levelers make firm contact with the floor.



4 For emergency use, install a fire extinguisher rated for energized electrical equipment fires (Class C rating or exact equivalent, with a non-conductive extinguishing agent) near the UPS system.



6 – Internal Battery Connection (Models SU20KX and SU40KX Only)



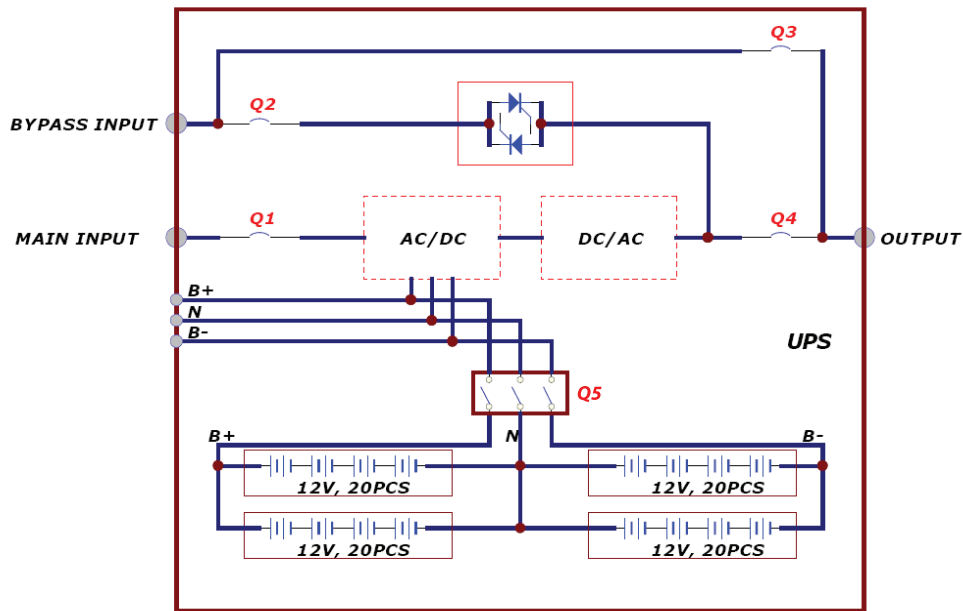
DANGER! LETHAL HIGH VOLTAGE HAZARD!

Potentially lethal high voltage exists within the batteries, even when not connected to a UPS system. Battery connection should be performed by qualified service personnel only, following all the precautions listed in this manual and adhering to local electrical codes. Read [Section 2 – Important Safety Instructions](#) before proceeding.

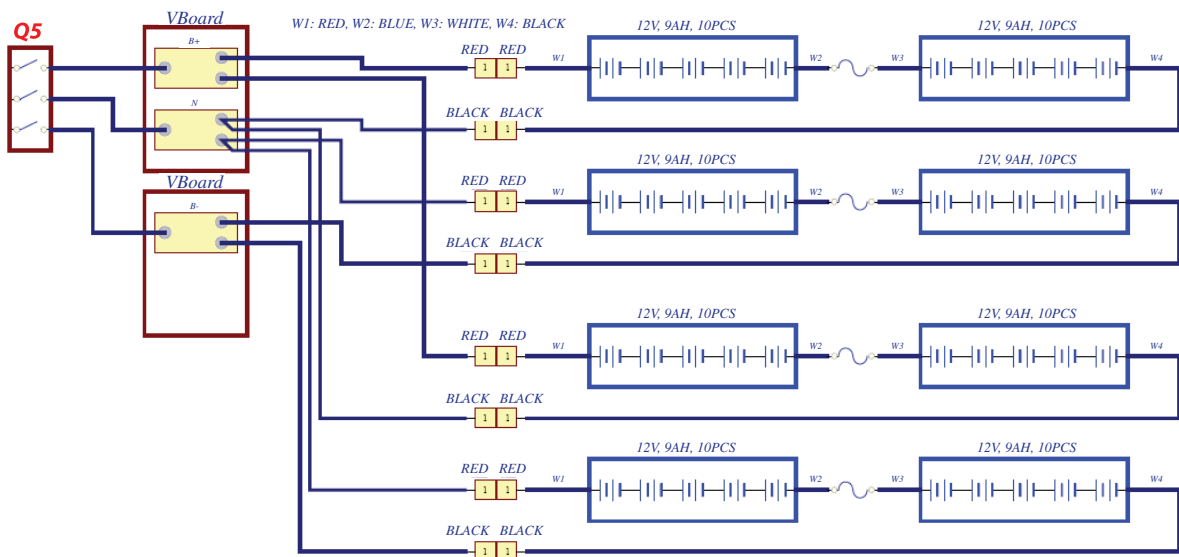
Internal battery connection is for models SU20KX and SU40KX only. Each internal battery pack consists of two strings of batteries: one string with a black cable and one string with a red cable. The number of internal battery packs varies with model.

6-1 Internal Battery Wiring Diagrams

Review the internal battery wiring diagrams prior to connecting the internal batteries. The UPS system can accept up to four internal battery packs (each pack consists of two strings; each string consists of 10 batteries). The number of internal battery packs varies with model.



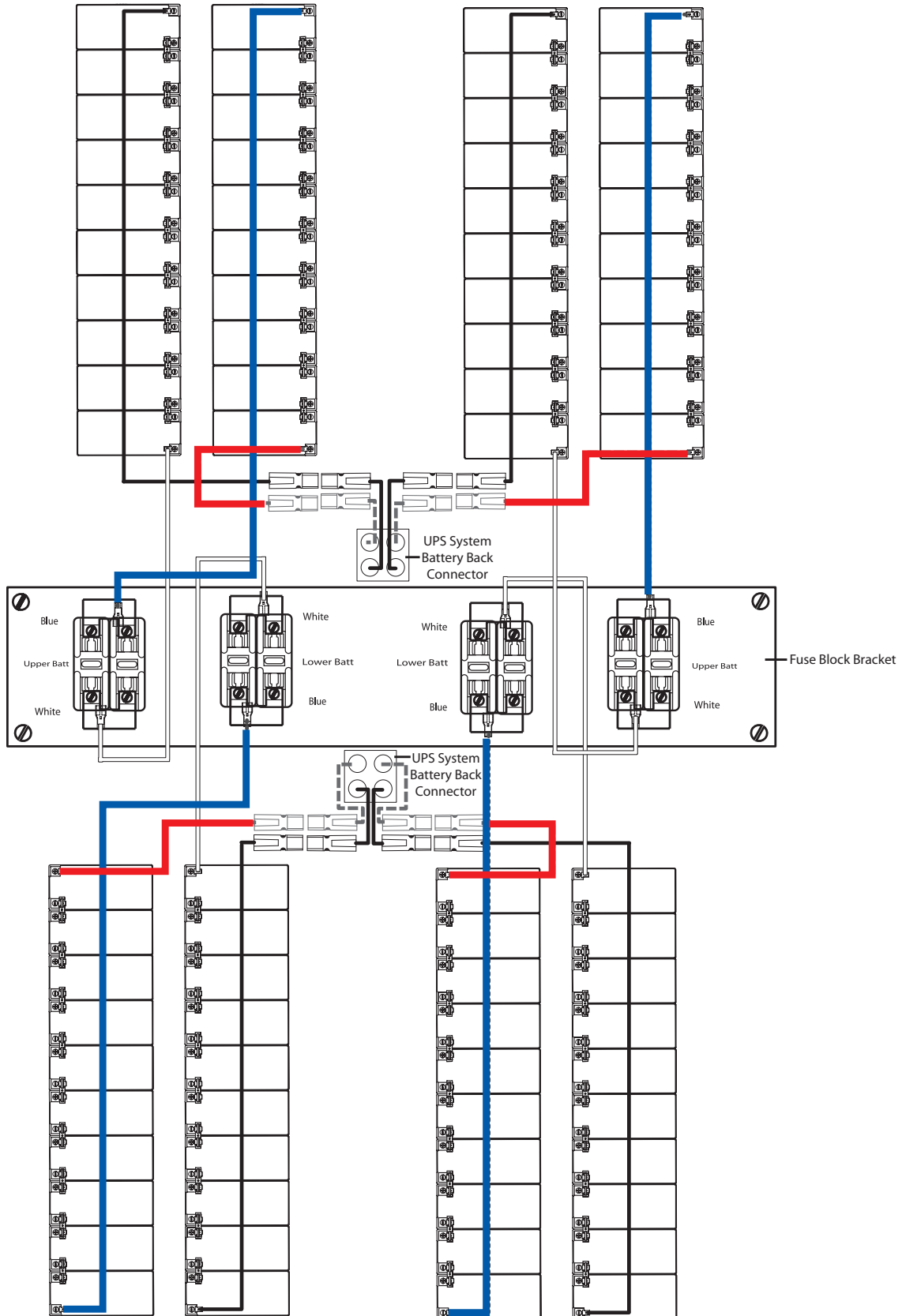
SU40KX shown



SU40KX shown

6 – Internal Battery Connection (continued)

6-1 Internal Battery Wiring Diagrams (continued)

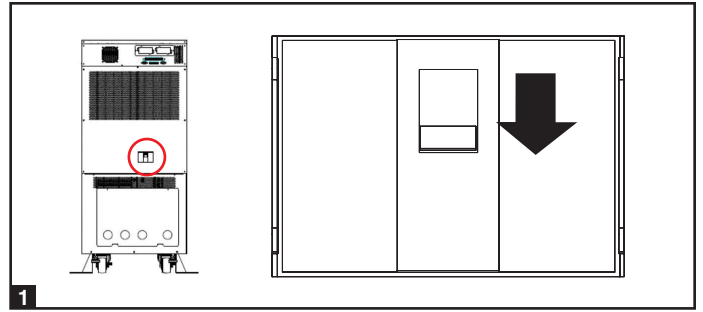


SU40KX shown

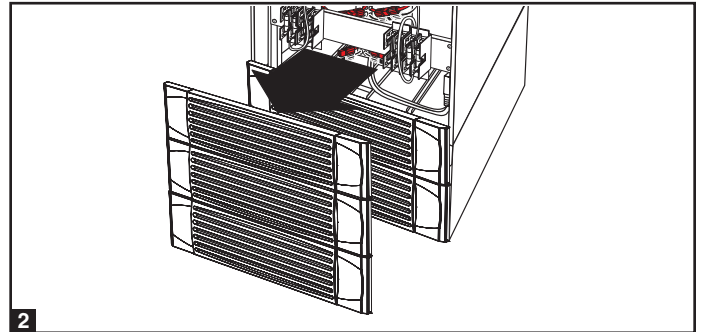
6 – Internal Battery Connection (continued)

6-2 Internal Battery Connection Procedure

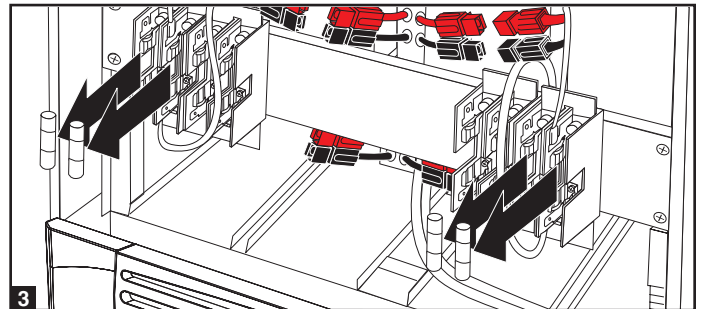
- 1 Place the UPS system in bypass (or turn it completely off) and turn off the internal battery circuit breaker switch, located on the rear of the UPS system.



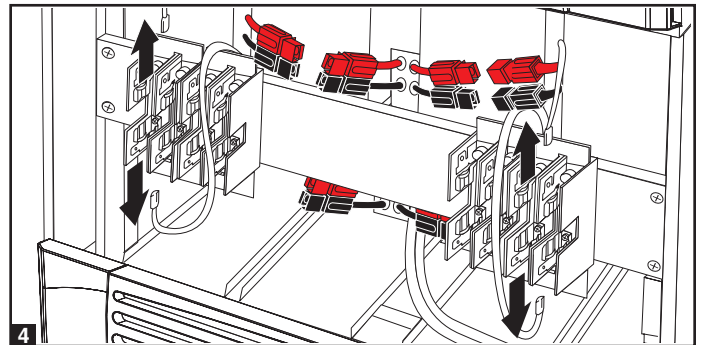
- 2 Remove the battery access bezels, located on the front of the UPS system.



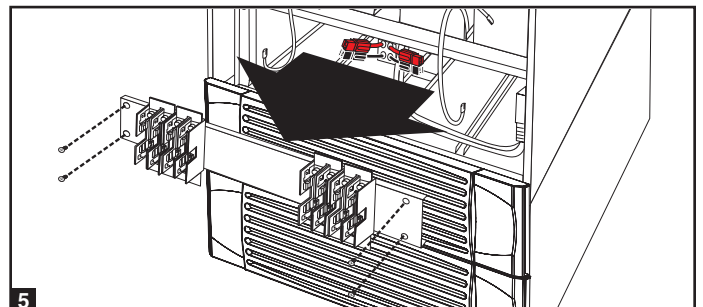
- 3 Remove the battery cartridge fuses from each fuse block.



- 4 Disconnect the blue and white jumper cables attached to each fuse block. **Warning: When disconnecting the jumper cables, pull them straight away from the fuse block with even force. Do not wiggle them side-to-side, as this may damage the connector.**



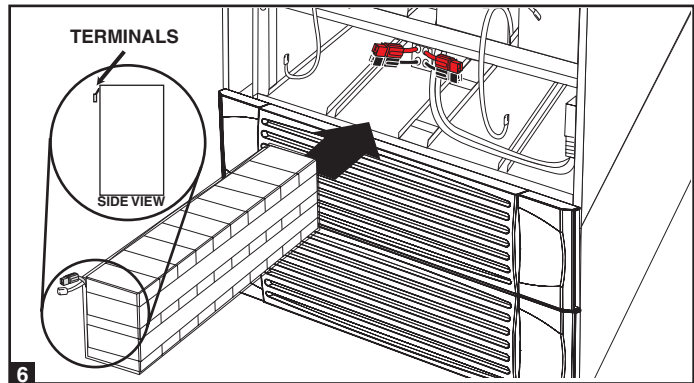
- 5 Remove the fuse block bracket. Note its orientation before removal.



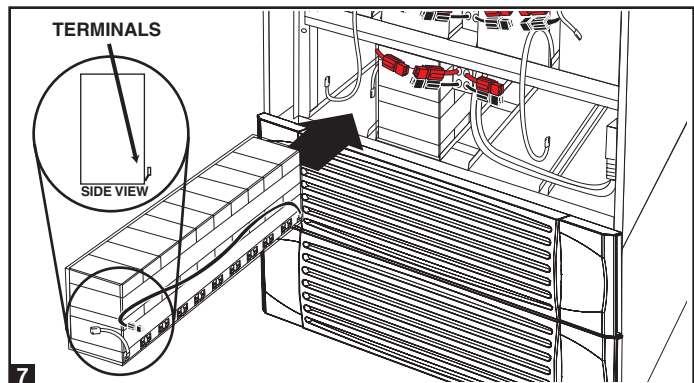
6 – Internal Battery Connection (continued)

6-2 Internal Battery Connection Procedure (continued)

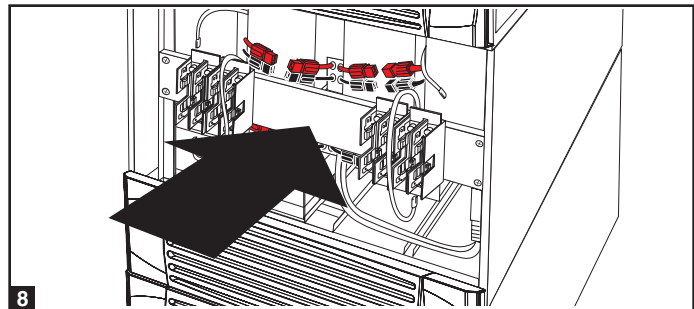
- 6** Slide a battery string with a red cable into an empty slot within the battery compartment. Make sure the battery string is oriented as shown in the diagram. Note: Start with the empty slots at the bottom of the battery compartment and work toward the empty slots at the top of the battery compartment.



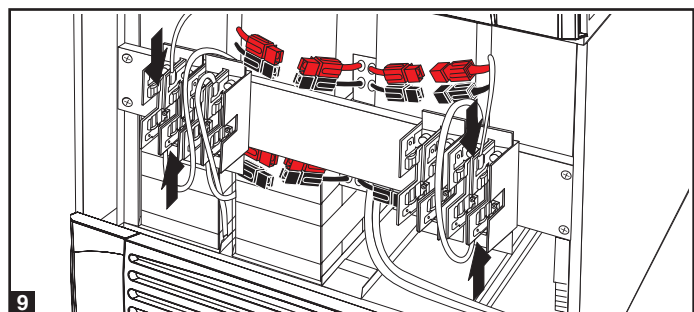
- 7** Slide a battery string with a black cable into an empty slot within the battery compartment, next to the battery string that you inserted in step 6. Make sure the battery string is oriented as shown in the diagram. Repeat steps 6 and 7 as needed until all the battery strings have been inserted into the empty battery slots. Note: Depending on the model of the UPS system, some battery compartment slots may remain empty.



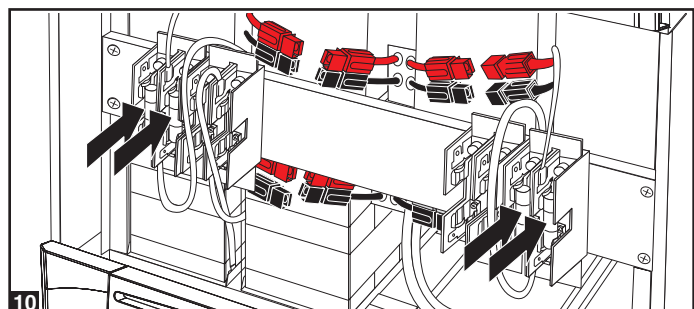
- 8** Reconnect the fuse block bracket. (The letters on the fuse block bracket should be upright when it is in the correct orientation.)



- 9** Connect the blue and white jumper cables on each internal battery pack to the corresponding fuse block. The labeling next to the fuse block identifies the correct fuse block for each cable.



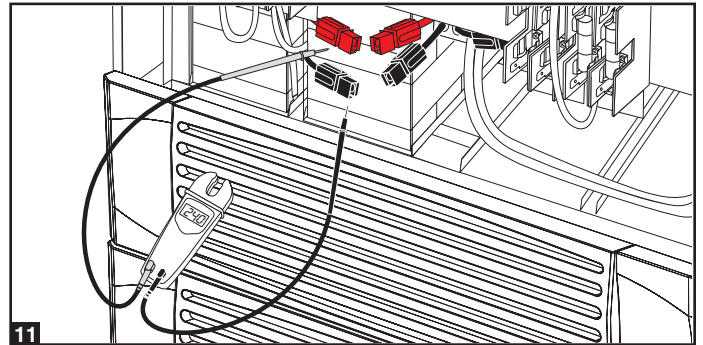
- 10** Insert the battery cartridge fuses into each fuse block. The fuses are interchangeable. Make sure the fuses are firmly snapped into place. **Warning: Battery cartridge fuses must be inserted last due to potential arcing of connectors. Blown fuses must be replaced by a qualified electrician. Replace only with fuses of the same type and rating.**



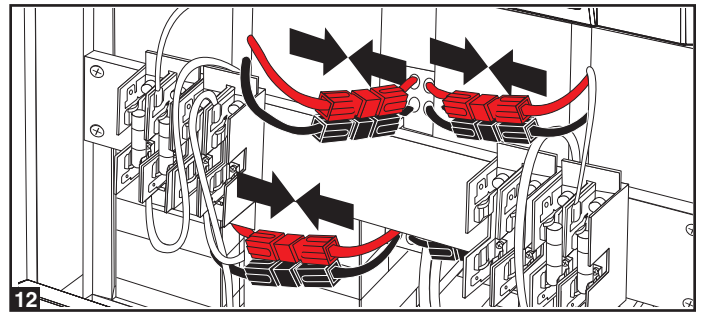
6 – Internal Battery Connection (continued)

6-2 Internal Battery Connection Procedure (continued)

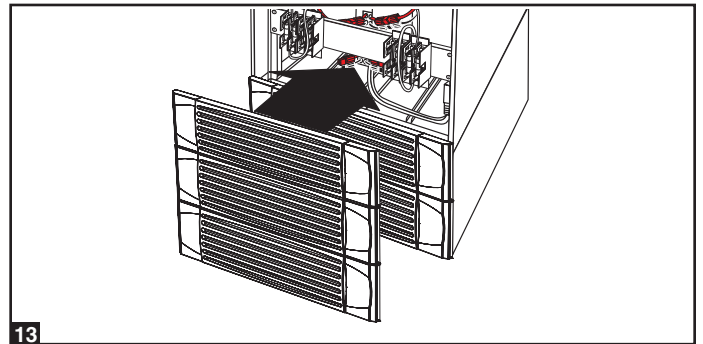
11 Use a voltmeter (user-supplied) to test the voltage of each internal battery pack. Observing proper polarity, connect the voltmeter's **black** probe to the battery pack's **black** connector; connect the voltmeter's **red** probe to the battery pack's **red** connector. Make sure the voltmeter's probes touch the metal contacts inside the battery pack's connectors. The battery pack's acceptable DC voltage range is between 220V and 280V DC (nominal 240V DC). If several voltmeter tests yield results outside the acceptable DC voltage range, contact Tripp Lite for assistance in determining the possible causes of the incorrect voltage reading before proceeding.



12 Connect the **black** cable for each internal battery pack to the nearest **black** connector located inside the UPS system's battery compartment. Connect the **red** cable for each internal battery pack to the nearest **red** connector located inside the UPS system's battery compartment. **Warning: Observe proper polarity by connecting negative to negative (black to black) and positive to positive (red to red). Failure to observe proper polarity will damage the UPS system and create a serious risk of personal injury and property damage.**

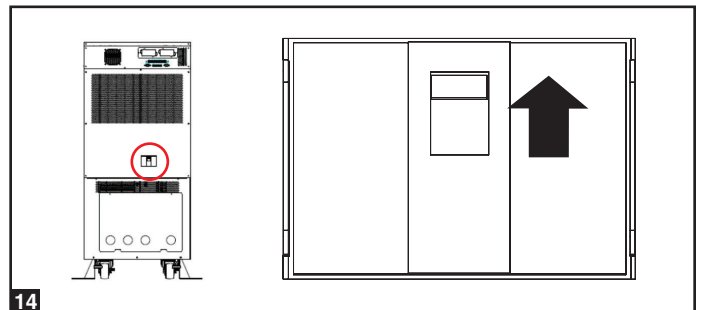


13 Replace the battery access bezels.



14 Follow the proper procedure to restart the UPS and re-transfer the critical load to protected power.

Note: If you need to remove or replace internal battery packs, modify steps 6 and 7 by removing and/or replacing the existing internal battery packs, as required.



7 – Wiring



DANGER! LETHAL HIGH VOLTAGE HAZARD!

All wiring should be performed by a qualified electrician, in accordance with the warnings in this manual and all applicable electrical and safety codes. Incorrect wiring may damage the UPS system severely and cause serious personal injury and property damage. Read [Section 2 – Important Safety Instructions](#) before proceeding.

7-1 Wiring Warnings

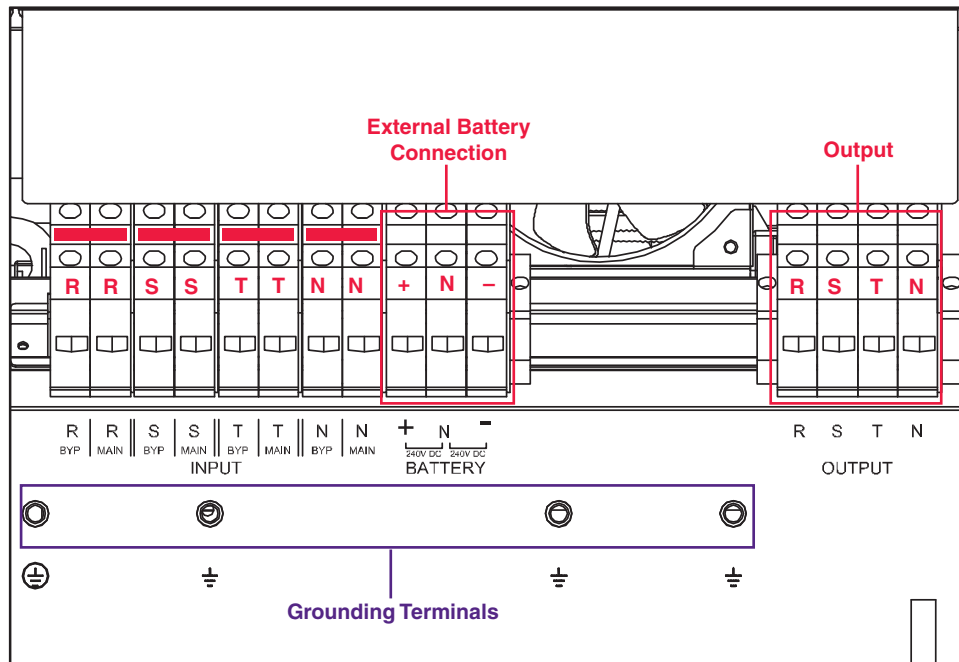
- De-energize all input and output power sources of the UPS system before installing cables or making electrical connections.
- Use flexible cable of sufficient length to permit UPS system servicing. The maximum cable length is 10 m (32.8 ft).
- Use ferrule caps to cover termination cables and prevent frayed ends from shorting on the UPS system terminal block.
- Use cabling rated VW-1, FT-1 or better.
- Use cable sleeves and connector clamps.
- The neutral conductor must be the same size as the current conductors.
- Tighten all connections with a torque of at least 3.95 N·m (35 in·lb)
- Confirm that all cables are marked correctly according to their purpose, polarity, phase and diameter.
- If the UPS system's input/output power source is wye-wye, then "Neutral" and "Ground" must not be connected.
- If the input power source has $V_{NG} > 0$, install a grounded wye secondary isolation transformer with a properly bonded neutral to ground before the UPS system and input power source.
- For equipment requiring a neutral connection to an IT power distribution system that requires neutral isolation upon disconnect, the disconnect device must be a four-pole device and must disconnect all line conductors and the neutral conductor. If a disconnect device interrupts the neutral conductor, it must simultaneously interrupt all line conductors.
- Allow the batteries to charge uninterrupted for 24 hours after the initial wiring connection.
- Observe proper polarity by connecting negative to negative, positive to positive and normal "N" to normal "N". Failure to observe proper polarity will damage the UPS system and create a serious risk of personal injury and property damage.
- Observe proper phase by connecting R to R, S to S, T to T and N to N. Source power phase rotation must be verified as RST before powering the UPS. Failure to observe proper phase will damage the UPS system and create a risk of personal injury and property damage.
- The KX model UPS covered by this manual can be single or dual fed. A separate bypass (reserve) source can be supplied to the UPS input terminals as desired. The UPS systems are shipped from the factory with the required terminal jumpers (four total) installed to facilitate single feed connections. If dual feed input is desired, remove the terminal jumpers before wiring both AC main and bypass sources.

7-2 Wiring Preparation

- De-energize all input and output (AC and DC) of the UPS system and external battery cabinet (if present).
- Mark all cables according to their correct purpose, polarity, phase and diameter.
- Review the diagrams in [Section 7-3](#) and [Section 7-4](#) to familiarize yourself with the terminal blocks.
- Consult the table in [Section 7-5](#) to find the correct electrical input/output characteristics for the UPS system.

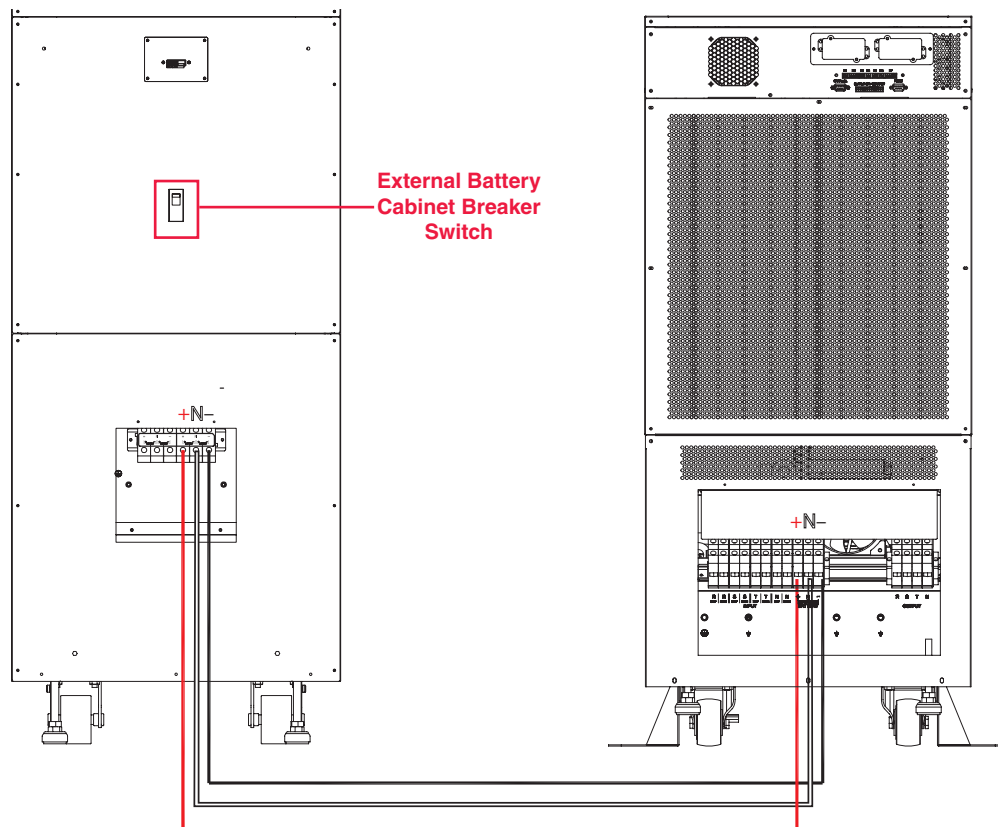
Note: If the UPS system's input/output power source is wye-wye, then "Neutral" and "Ground" must not be connected. If the input power source has $V_{NG} > 0$, install an isolation transformer before the UPS system and input power source, then connect the UPS system's "Neutral" and "Ground" together.

7-3 UPS System Terminal Block Diagram



Single feed typical configuration shown (with factory installed terminal jumpers [x4])

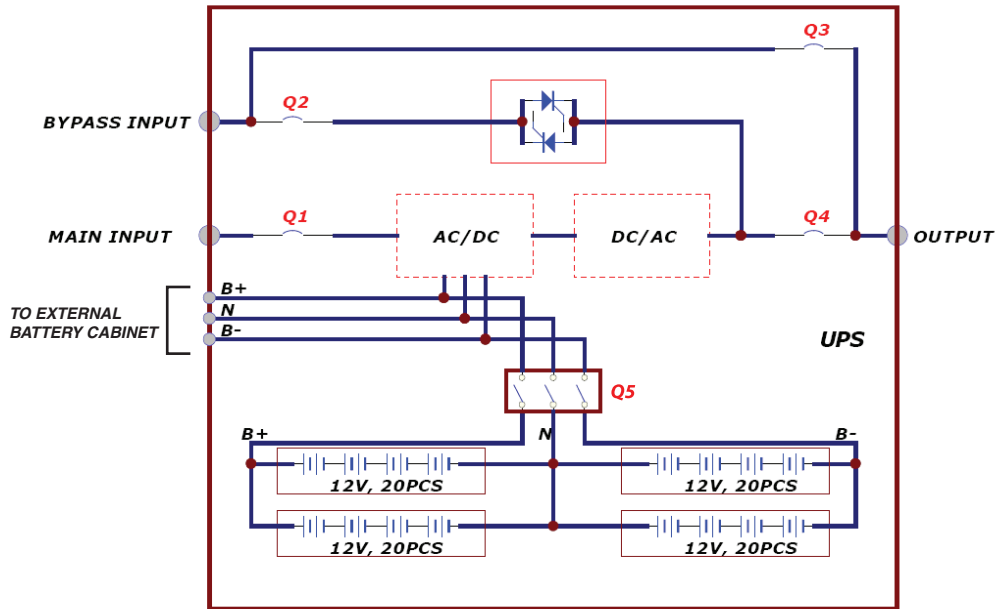
7-4 External Battery Cabinet Wiring Diagrams



SU80KX and BP480V40C shown for illustration only. Consult the battery cabinet's documentation for exact specifications; battery cabling to be conduit protected.

7 – Wiring (continued)

7-4 External Battery Cabinet Wiring Diagrams (continued)



SU40KX shown

External Battery Cabinets

B Cabinet: 26AH, 125A Fuses

C Cabinet: 40AH, 160A Fuses

10 Year Cabinet: 55AH, 78AH, 103AH, 140AH; 250A Circuit Breaker

7-5 Electrical and Cable Data

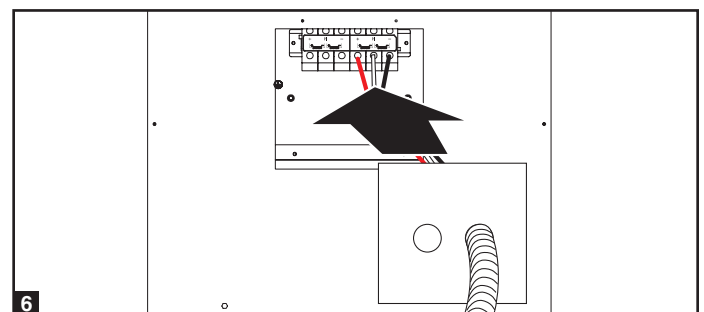
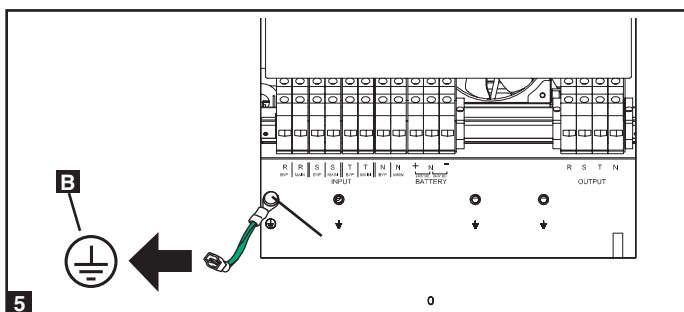
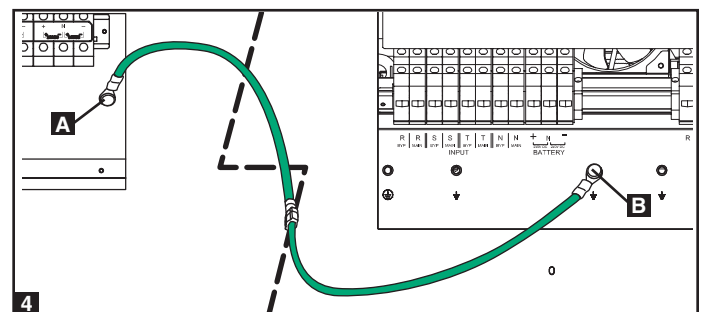
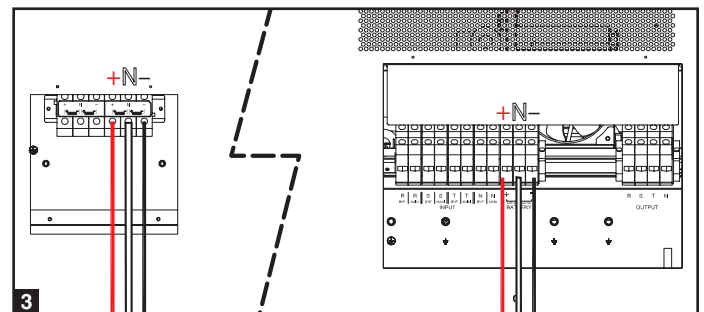
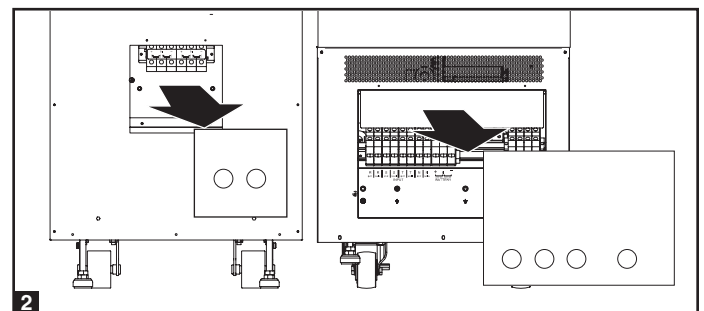
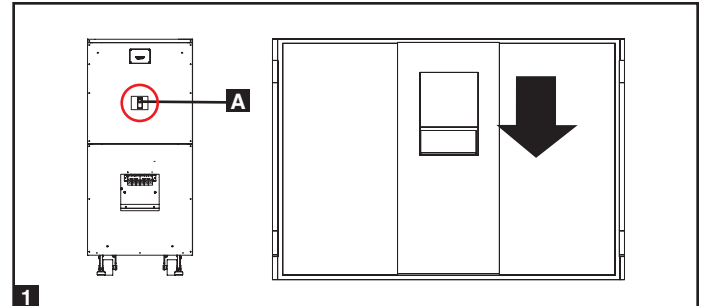
Model	Input	Output	Recommended Max. Input, Bypass (if used), and Output Breaker Size	Input, Reserve, and Output Wire Size	Battery Current at Max. Load at VDC Nom	Battery Current at Max. Load at LVC	Recommended Battery Wire Size
SU20KX	220/380V, 230/400V or 240/415V AC, 3Φ, 4-wire + PE	220/380V, 230/400V or 240/415V AC, 3Φ, 4-wire + PE	50A	10 mm ² (#8 AWG)	35A	42A	50 mm ² (1/0 AWG)
SU40KX	220/380V, 230/400V or 240/415V AC, 3Φ, 4-wire + PE	220/380V, 230/400V or 240/415V AC, 3Φ, 4-wire + PE	75A (80A)	25 mm ² (#4 AWG)	69A	83A	50 mm ² (1/0 AWG)
SU60KX	220/380V, 230/400V or 240/415V AC, 3Φ, 4-wire + PE	220/380V, 230/400V or 240/415V AC, 3Φ, 4-wire + PE	125A	50 mm ² (#1 AWG)	103A	124A	50 mm ² (1/0 AWG)
SU80KX	220/380V, 230/400V or 240/415V AC, 3Φ, 4-wire + PE	220/380V, 230/400V or 240/415V AC, 3Φ, 4-wire + PE	150A	50 mm ² (1/0 AWG)	138A	165A	50 mm ² (1/0 AWG)

7-6 External Battery Cabinet Wiring

Warning: External battery cabinets vary. Read the external battery cabinet’s documentation before attempting to connect it to the UPS system. Use only external battery cabinets that have been approved by Tripp Lite.

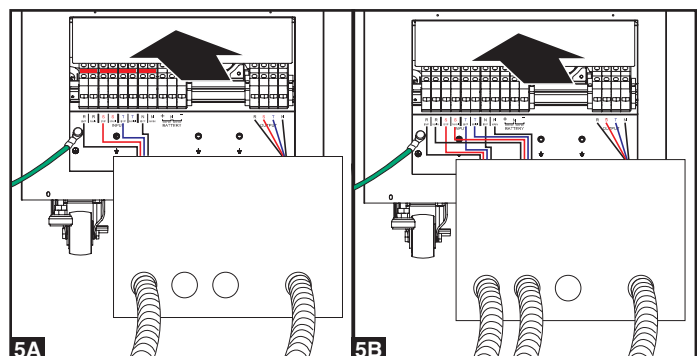
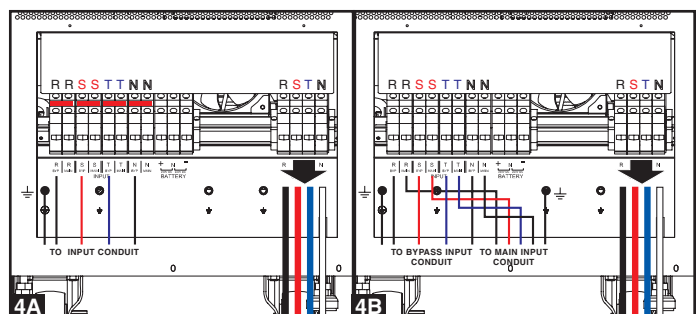
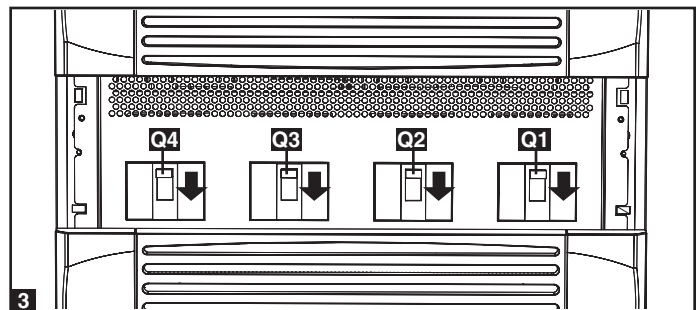
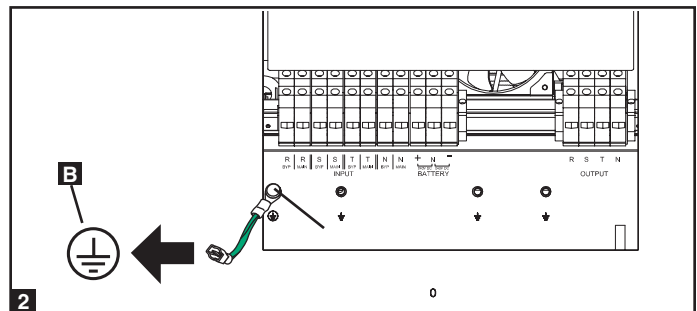
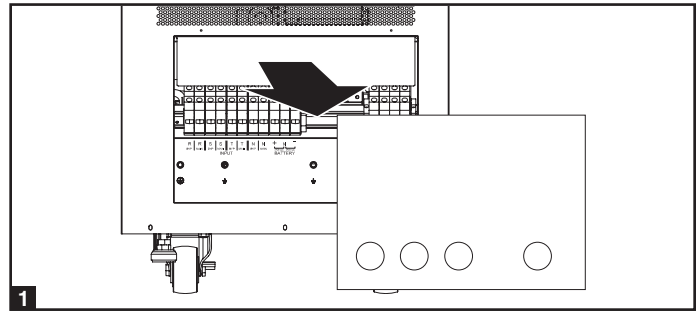
Note: An external battery cabinet is required with models SU60KX and SU80KX. It is optional with models SU20KX and SU40KX. Contact Tripp Lite for external battery cabinet ordering information.

- 1** De-energize all input and output (AC and DC) of the UPS system and external battery cabinet, and confirm that the external battery cabinet breaker switch **A** is off. (If the UPS system has already been wired to an AC power source, see [Section 9-6](#) for shutdown instructions.)
- 2** Remove the terminal block covers from the UPS system and external battery cabinet.
- 3** Connect the positive (+), neutral (N) and negative (-) UPS system connection terminals of the external battery cabinet to the corresponding positive (+), neutral (N) and negative (-) external battery connection terminals of the UPS system. See [Section 7-3](#) and the external battery cabinet’s documentation for terminal block diagrams. See [Section 7-4](#) for wiring diagrams. See [Section 7-5](#) for cable size requirements. Cabling should be protected by flexible conduit and routed through the appropriate knockouts in the terminal block cover. **Warning: Observe proper polarity by connecting negative to negative and positive to positive. Failure to observe proper polarity will damage the UPS system and create a risk of personal injury and property damage.**
- 4** Connect the external battery cabinet’s grounding terminal **A** to the UPS system’s corresponding grounding terminal **B** with a 4 AWG (5.189 mm) ground cable. Keep the ground cable connected at all times after installation.
- 5** Connect the UPS system’s grounding terminal **A** to your facility’s earth ground **B** with a 4 AWG (5.189 mm) minimum ground cable. Keep the ground cable connected at all times after installation.
- 6** Replace the terminal block cover of the external battery cabinet. If you do not plan to wire the AC input/output of the UPS system at this time, replace the terminal block cover of the UPS system.



7-7 AC Input/Output Wiring (Single UPS)

- 1 After de-energizing all input and output (AC and DC) of the UPS system, remove the terminal block cover from the UPS system.
- 2 If you did not connect the ground cable in [Section 7-6](#), connect the UPS system's grounding terminal **A** to your facility's earth ground **B** with a 4 AWG (5.189 mm) ground cable. Keep the ground cable connected at all times after installation.
- 3 Remove the UPS system's front bezel to expose the circuit breakers. First, confirm that the main input circuit breaker switch **Q1** and the bypass input circuit breaker switch **Q2** are both off. Second, confirm that the manual bypass circuit breaker switch **Q3** is off. Third, confirm that the output circuit breaker switch **Q4** is off.
- 4 Confirm the phase of each cable, then connect the cables according to the UPS system terminal block diagram in [Section 7-3](#). See [Section 7-5](#) for cable size requirements. Cabling should be protected by flexible conduit and routed through the appropriate knockouts in the terminal block cover. **Warning: Observe proper phase rotation by connecting R to R, S to S, T to T and N to N. Failure to observe proper phase will damage the UPS system and create a risk of personal injury and property damage.**
 - 4A Single Fed Input
 - 4B Dual Fed Input
- 5 Replace the UPS system's terminal block cover.
 - 5A Single Fed Input
 - 5B Dual Fed Input

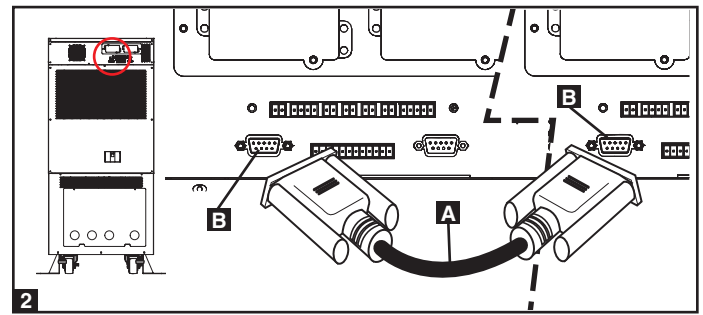
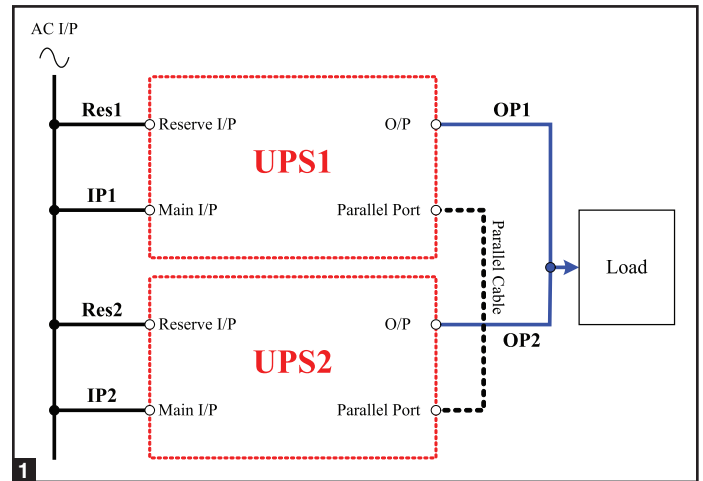


7-8 AC Input/Output Wiring (Parallel UPS – Single Input Source)

Parallel UPS Warnings:

- The total input cable length must be equal to the total output cable length in order to prevent unbalanced load sharing between two UPS systems under reserve mode (i.e. $Res1 + OP1 = Res2 + OP2$; deviation must be $<10\%$).
- Parallel configuration only supports 2 UPS systems (1+1 redundancy or capacity). Do not attempt to link more than two UPS systems via parallel configuration.
- The UPS systems must have the same rating and capacity for parallel UPS installation. Attempting to link dissimilar UPS systems will damage the UPS systems and create a serious risk of personal injury and property damage.
- Each UPS must have its Parallel group set to 2 and a different “Parallel ID” that indicates the UPS systems are being run in parallel. (See [Section 10-5-5](#) for more details.)

- 1 Follow the steps in [Section 7-7](#), wiring the UPS systems as shown in the diagram.
- 2 Connect the included parallel UPS cable **A** to the parallel port **B** of each UPS system.

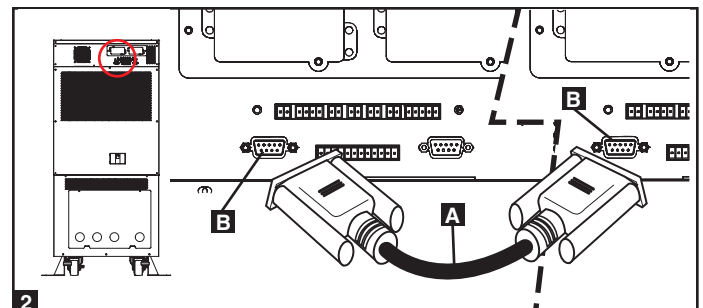
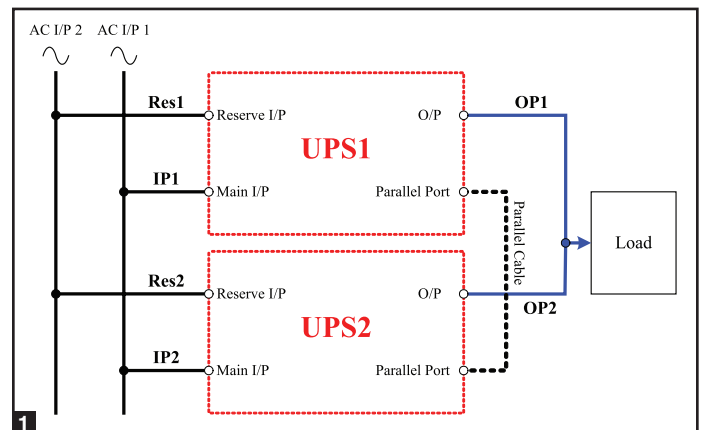


7-9 AC Input/Output Wiring (Parallel UPS – Dual Input Sources)

Parallel UPS Warnings:

- The total input cable length must be equal to the total output cable length in order to prevent unbalanced load sharing between two UPS systems under reserve mode (i.e. $Res1 + OP1 = Res2 + OP2$; deviation must be $<10\%$).
- Parallel configuration only supports 2 UPS systems (1+1 redundancy or capacity). Do not attempt to link more than two UPS systems via parallel configuration.
- The UPS systems must have the same rating and capacity for parallel UPS installation. Attempting to link dissimilar UPS systems will damage the UPS systems and create a serious risk of personal injury and property damage.
- Each UPS must have its Parallel group set to 2 and a different “Parallel ID” that indicates the UPS systems are being run in parallel. (See [Section 10-5-5](#) for more details.)

- 1 Follow the steps in [Section 7-7](#), wiring the UPS systems as shown in the diagram.
- 2 Connect the included parallel UPS cable **A** to the parallel port **B** of each UPS system.

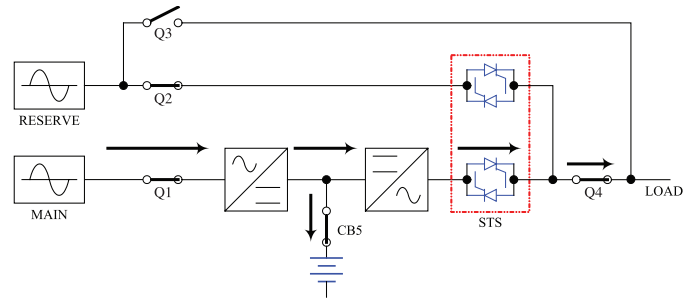


8 – Operating Modes

This section provides a basic description of the UPS system's operating modes. For more information about switching between operating modes, refer to [Section 9 – Start-Up, Shutdown and Bypass](#).

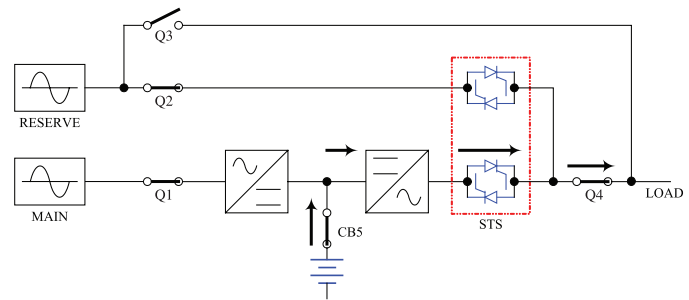
8-1 Online (Normal) Mode (Single UPS)

In online (normal) mode, the UPS system's rectifier converts incoming AC utility power to DC power that charges the batteries and supplies the inverter. The inverter transforms the DC power to precision-regulated, pure sine wave AC power that supports the operation of connected equipment. This dual conversion technology isolates connected equipment from all power problems and ensures that connected equipment receives ideal power at all times.



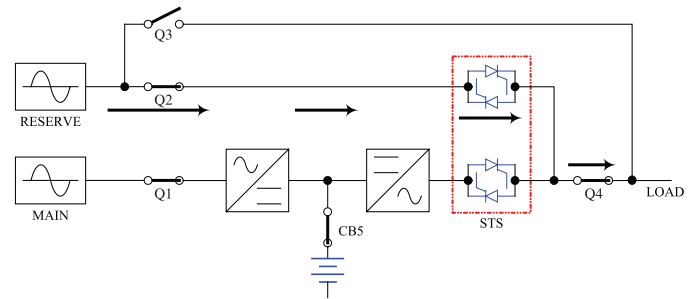
8-2 Battery Backup Mode (Single UPS)

When a blackout or other extreme power event occurs, the UPS system automatically switches from normal mode to battery backup mode. The UPS system's batteries (internal and/or external) provide emergency DC power to the inverter. The inverter transforms the DC power to precision-regulated, pure sine wave AC power that supports the operation of connected equipment.



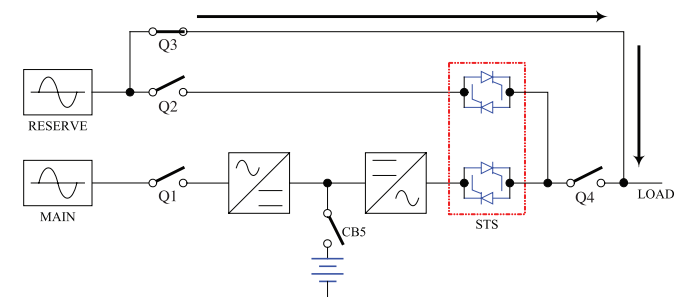
8-3 Auto Bypass Mode (Single UPS)

If the inverter malfunctions due to excessive temperature, overload, output short circuit, abnormal voltage or battery problems, the inverter will shut down. If the UPS system detects a bypass (reserve) power source that conforms to normal parameters, then the UPS system automatically switches to auto bypass mode to continue supplying power to connected equipment. When all problems are eliminated, the UPS system switches back to online (normal) mode automatically.



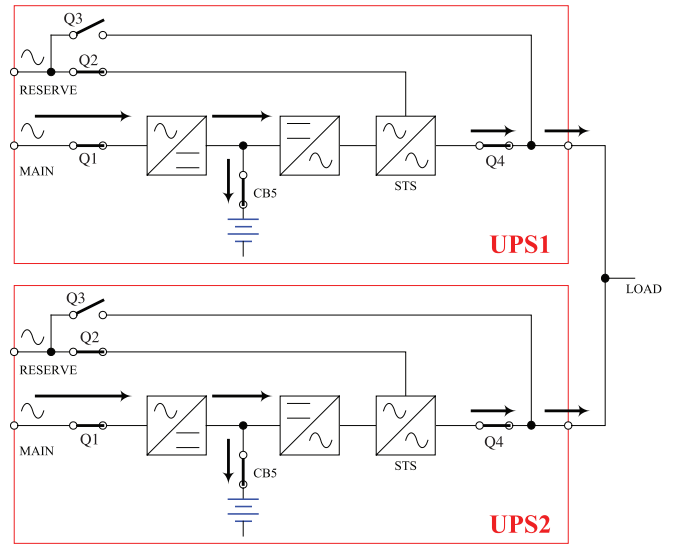
8-4 Manual Bypass Mode (Single UPS)

If UPS system maintenance or repair is required, you can bypass the UPS system and enable bypass (reserve) power manually. After confirming that bypass power is present, stop the inverter by pressing the OFF button and answering "YES" to the question "Transfer to Bypass Mode?" (this transfers the UPS to static bypass), then switch the UPS system into manual bypass mode. (See [Section 9-5](#) for complete manual bypass procedure.) This allows service technicians to perform maintenance or repair jobs without interrupting the flow of AC power to connected equipment. **Warning: The UPS system must be de-energized completely before performing maintenance or repair by shutting it down completely after switching it to manual bypass mode.**



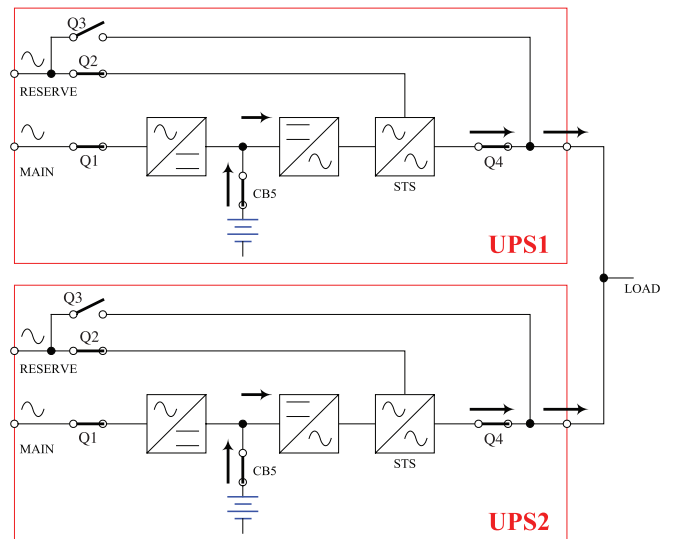
8-5 Online Mode (Parallel UPS)

Parallel redundancy (1+1) provides UPS system redundancy or increased total capacity. Under parallel redundancy, the total load is shared by two UPS systems. If one of the UPS systems malfunctions, the total connected equipment load is supported by the remaining UPS system. If the total load exceeds the capacity of the remaining UPS system, it will switch to auto bypass mode.



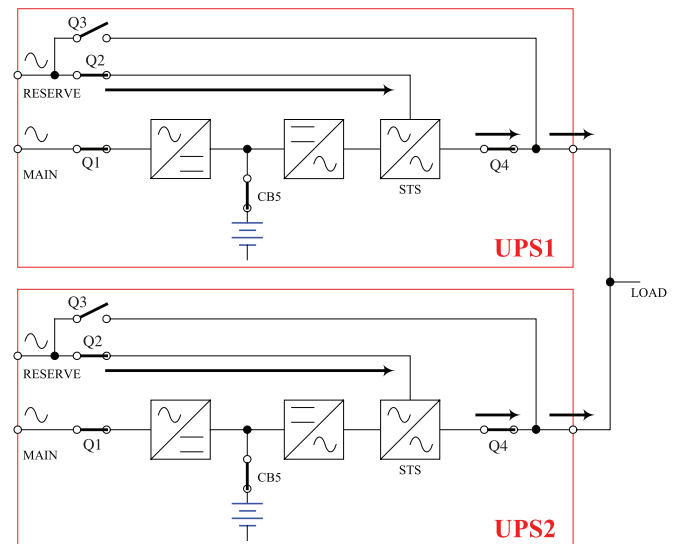
8-6 Battery Backup Mode (Parallel UPS)

Similar to on battery backup mode for a single UPS system (Section 8-2), except the total connected equipment load is shared by the parallel (1+1) UPS systems.



8-7 Auto Bypass Mode (Parallel UPS)

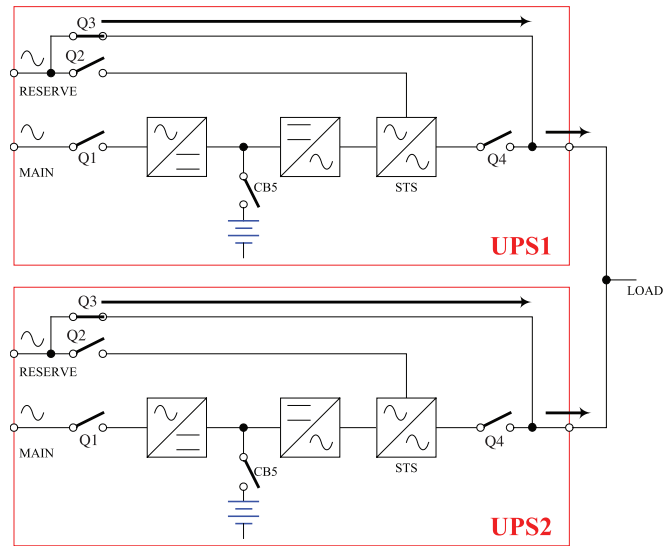
Similar to auto bypass mode for a single UPS system (Section 8-3), except with parallel (1+1) UPS systems.



8 – Operating Modes (continued)

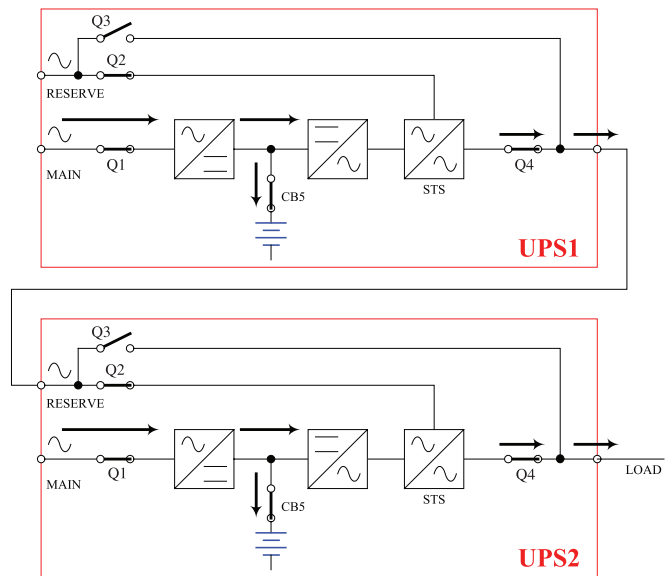
8-8 Manual Bypass Mode (Parallel UPS)

Similar to manual bypass mode for a single UPS system ([Section 8-4](#)), except with parallel (1+1) UPS systems. *Note: Both UPS systems must be switched into manual bypass mode.*



8-9 Hot Standby Mode (Parallel UPS)

For added fault-tolerance, the redundant UPS system acts as the bypass (reserve) power source for the main UPS system.

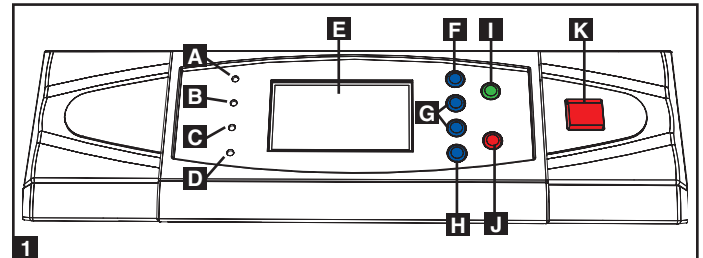


9 – Start-Up, Shutdown and Bypass

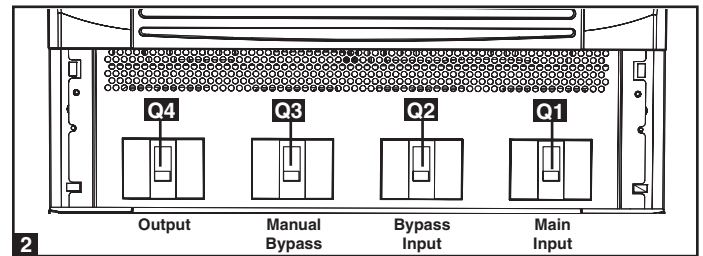
Warning: The UPS system’s output voltage is set at 220/380V by default. If you require output voltage of 230/400V or 240/415V, you must change the UPS system’s output voltage by accessing the output setup menu described in [Section 10-5-2](#). You must place the UPS system in bypass mode before changing the output voltage. Do not connect your equipment to the UPS system’s output until you have set the proper parameters.

9-1 Control Panel and Breaker Diagrams

- A** “NORMAL” LED
- B** “BATTERY” LED
- C** “BYPASS” LED
- D** “FAULT” LED
- E** LCD Status Screen
- F** “ESC” (Escape) Button
- G** Scroll Buttons (▲ and ▼)
- H** Enter Button (↵)
- I** ON Button
- J** OFF Button
- K** “EPO” (Emergency Power Off) Button
- Q1** Main Input Circuit Breaker Switch
- Q2** Bypass Input Circuit Breaker Switch
- Q3** Manual Bypass Circuit Breaker Switch
- Q4** Output Circuit Breaker Switch



Control Panel



Circuit Breaker Switches (UPS System Front Panel)

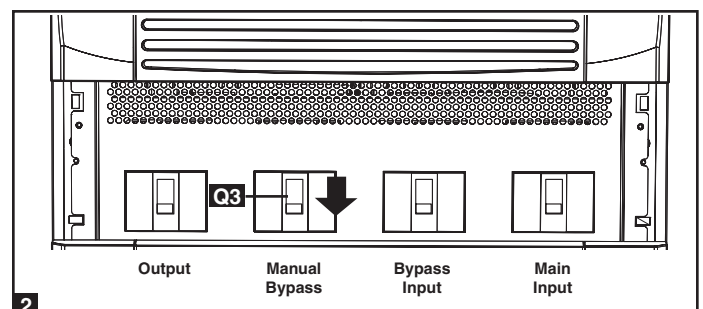
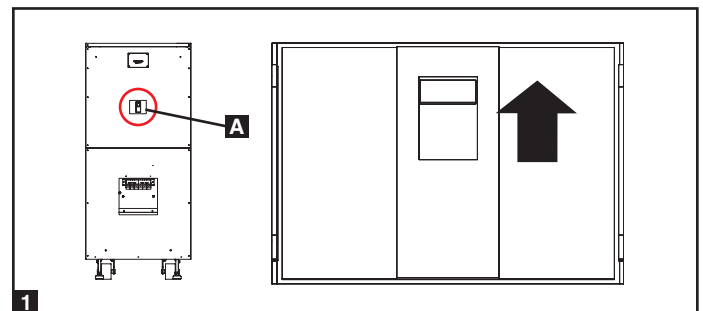
9-2 Preliminary Checklist (Single UPS)

- All circuit breaker switches should be off, including the breaker of the external battery cabinet (if present).
- Confirm that no voltage potential exists between Neutral and Ground.
- Confirm that the input power source matches the rating (voltage, frequency and phase) of the UPS system.

Note: After start-up, the UPS system will perform a brief self-test and display the results on the LCD screen. After a successful self-test, the UPS system will provide AC power to the connected equipment load.

9-3 Standard Start-Up Procedure (Single UPS)

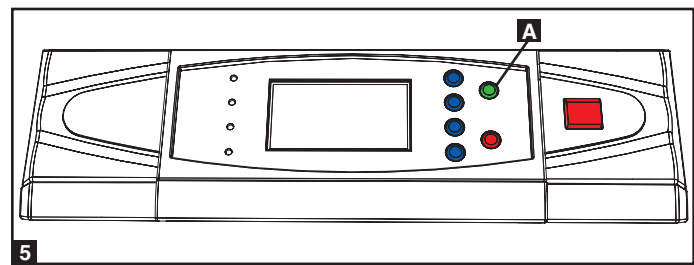
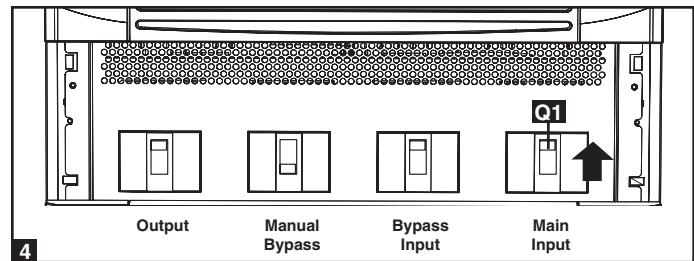
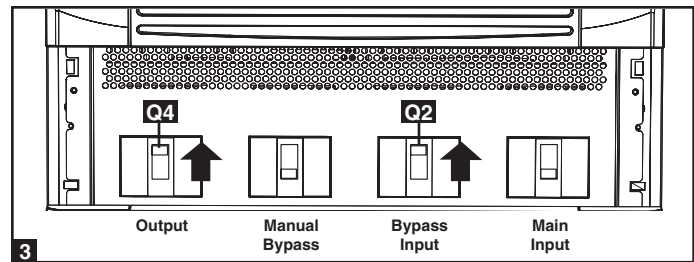
- 1** If there is an external battery cabinet connected, switch on the circuit breaker **A** of the external battery cabinet. On the SU20KX or SU40KX, turn on the battery breaker on the back of the UPS.
- 2** Confirm that the manual bypass circuit breaker switch **Q3** is off.



9 – Start-Up, Shutdown and Bypass (continued)

9-3 Standard Start-Up Procedure (Single UPS) (continued)

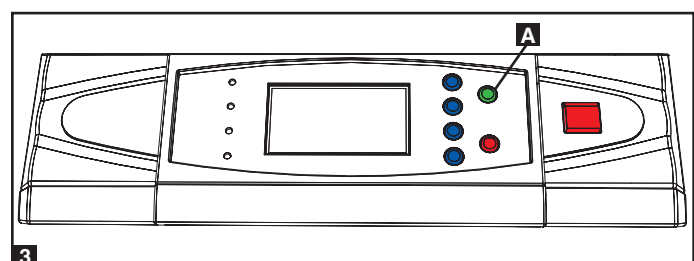
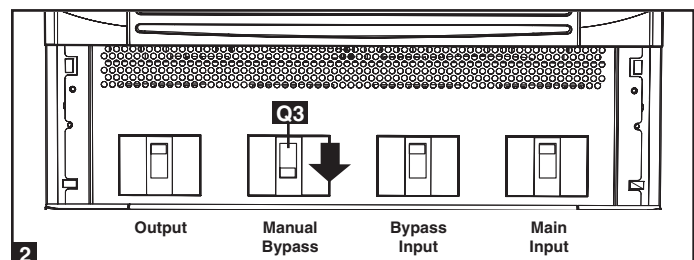
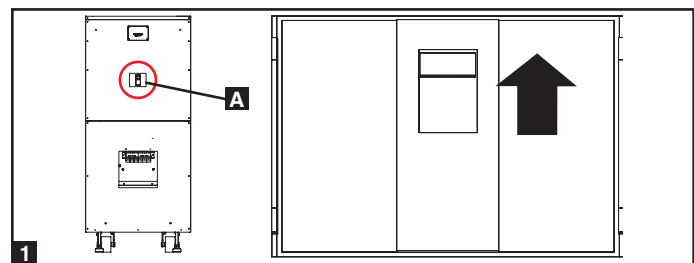
- Switch on the bypass input breaker switch **Q2** and then output circuit breaker switch **Q4**. After a brief initialization process, the LCD screen will show “ON AUTO BYPASS”, the “BYPASS” LED will illuminate and UPS system output will be supplied by the bypass (reserve) power source.
- Switch on the main input circuit breaker switch **Q1**. If the AC input power source is normal, the UPS system is ready for start-up.
- Press the ON button **A** for 3 seconds (until you hear a beep), then release the button. The inverter will activate and synchronize with the bypass source, then automatically switch from auto bypass (reserve) mode to online (normal) mode. The “BYPASS” LED will darken and the “NORMAL” LED will illuminate.



9-4 Battery Start-Up Procedure (Single UPS)

Note: The battery must be at least partially charged for this operation to succeed.

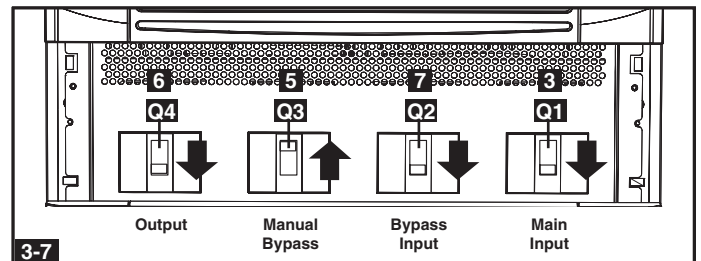
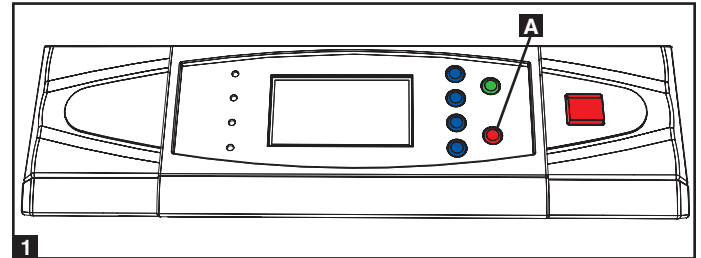
- If there is an external battery cabinet connected, switch on the circuit breaker **A** of the external battery cabinet. On the SU20KX or SU40KX, turn on the battery breaker on the back of the UPS.
- Confirm that the manual bypass circuit breaker switch **Q3** is off.
- Press the ON button **A** for 3 seconds (until you hear a beep), then release the button. The inverter will activate and use stored DC battery power to supply AC power to connected equipment. The “BATTERY” LED will illuminate.



9-5 Manual Bypass Procedure (Single UPS)

Warning: Placing the UPS system in manual bypass will disable the inverter and power all loads from the manual bypass (reserve) source, but the UPS system will still be energized. Before performing maintenance or repair on the UPS system, shut down and de-energize the UPS system completely by following the steps in Section 9-6. Although connected equipment loads will be powered by the bypass (reserve) power source, they will not receive battery backup in the event of a utility power failure.

- 1 If the UPS is in NORMAL mode (green LED ON, LCD displays “Load Protected – On Line Mode”), then you must stop the inverter by pressing and holding the red OFF (“O”) button **A** until the UPS beeps, then release the button and answer “YES” to the question “Transfer to Bypass Mode?”. The UPS should transfer to Bypass.
- 2 Confirm the UPS is in BYPASS mode (amber Bypass LED is ON; LCD displays “Load Unprotected – On Auto Bypass”). Do not proceed if it is not in BYPASS mode.
- 3 Turn OFF the MAIN INPUT circuit breaker **Q1**.
- 4 Wait until the Power Module fans turn OFF (this may take a minute or two), then turn OFF the BATTERY BREAKER. On the 40K unit, the BATTERY BREAKER (for the internal battery) is on the back of the UPS; on the 60K and 80K units, the BATTERY BREAKER is on the back of the matching battery cabinet. *Note: Some external battery cabinets may have the BATTERY BREAKER behind the front door or elsewhere.*
- 5 Turn ON the MANUAL BYPASS circuit breaker **Q3**. The LCD will display “Load Unprotected – On Manual Bypass” and you will hear an audible alarm.
- 6 Turn OFF the OUTPUT circuit breaker **Q4**.
- 7 Turn OFF the BYPASS INPUT circuit breaker **Q2**. The unit’s LCD will go blank after a few seconds.
- 8 The critical load is now supported by unconditioned utility power.

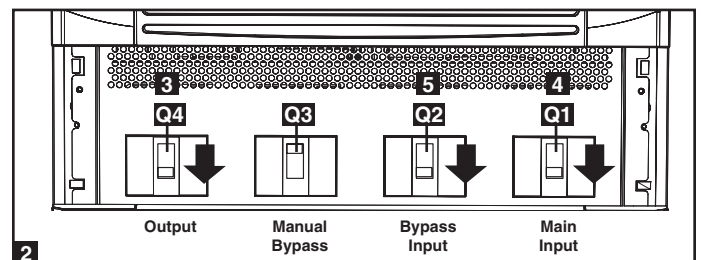
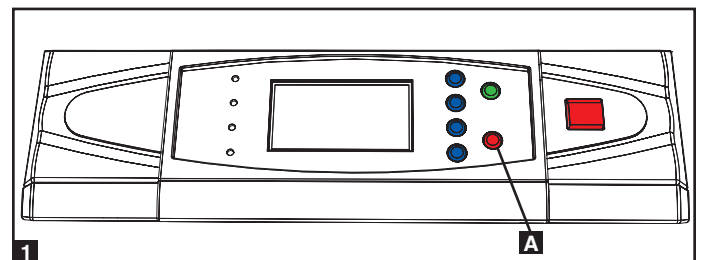


9-6 Shutdown Procedure (Single UPS)

Warning: The UPS system shutdown procedure will eliminate the AC power output for all loads. Before shutdown, confirm that all loads are turned off or place the UPS system in manual bypass mode to keep loads powered by the reserve (bypass) power source.

- 1 If the UPS is in NORMAL mode (green LED ON, LCD displays “Load Protected-On Line Mode”), then you must stop the inverter by pressing and holding the red OFF button **A** until the UPS beeps, then release the button. The UPS should transfer to Bypass.
- 2 Confirm the UPS is in BYPASS (amber Bypass LED is ON; LCD displays “Load Unprotected-On Auto Bypass”). Do not proceed if it is not on BYPASS.
- 3 Turn OFF the OUTPUT circuit breaker **Q4**.
- 4 Turn OFF the MAIN INPUT circuit breaker **Q1**.
- 5 Turn OFF the BYPASS UNIT circuit breaker **Q2**.
- 6 Wait until the Power Module fans power OFF and the LCD goes blank (this may take a minute or two), then turn OFF the BATTERY BREAKER (on the SU20KX and SU40KX units, the BATTERY BREAKER is on the back of the UPS; on the SU60KX and SU80KX units, the BATTERY BREAKER is on the back of the battery cabinet).

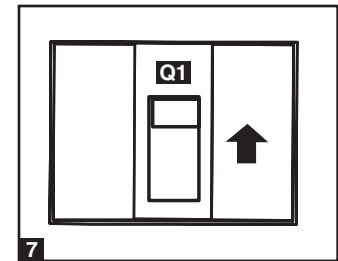
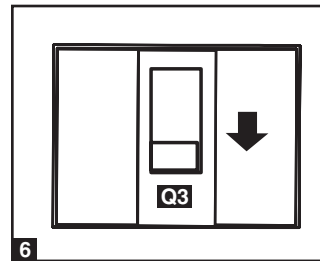
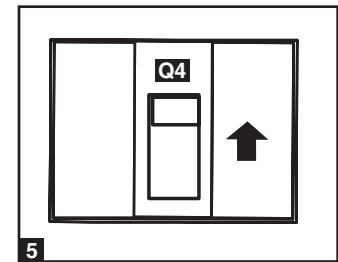
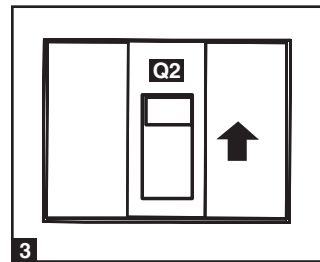
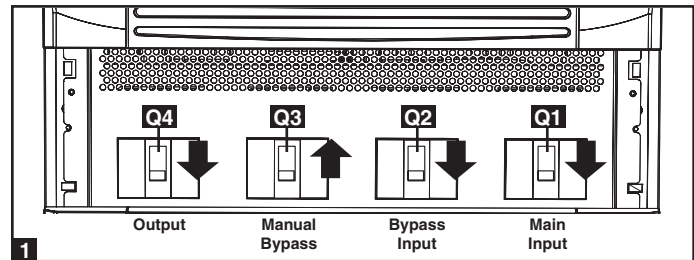
Note: If the UPS system remains off for an extended period of time, it should be turned on periodically to allow the batteries to recharge. The UPS system should be turned on and the batteries should be recharged at least one uninterrupted 24-hour period every 3 months. Failure to recharge the batteries periodically may cause irreversible battery damage.



9-6 Shutdown Procedure (Single UPS) (continued)

To transfer the critical load to NORMAL mode from Manual Bypass:

- 1 Confirm the UPS is in MANUAL BYPASS (the MANUAL BYPASS circuit breaker **Q3** is ON; the OUTPUT **Q4**, BYPASS INPUT **Q2** and MAIN INPUT **Q1** circuit breakers are OFF).
- 2 Turn ON the BATTERY BREAKER (on the SU20KX and SU40KX units, the BATTERY BREAKER is on the back of the UPS; on the SU60KX and SU80KX units, the BATTERY BREAKER is on the back of the battery cabinet).
- 3 Turn ON the BYPASS INPUT circuit breaker **Q2** (the amber Bypass LED should come on and the LCD will display “Load Unprotected-On Manual Bypass”).
- 4 Confirm the amber BYPASS LED is ON. Do not proceed if it is not ON.
- 5 Turn ON the OUTPUT circuit breaker **Q4**.
- 6 Turn OFF the MANUAL BYPASS circuit breaker **Q3**. The LCD will display “Load Unprotected-On Auto Bypass”.
- 7 Turn ON the MAIN INPUT circuit breaker **Q1**. The Power Module fans will turn ON.
- 8 Press and hold the green ON button until the UPS beeps, then release the button. The UPS will perform a self-test diagnostic and the LCD will display “Self Diagnosis”. After the UPS self-test is completed, the UPS will transfer to NORMAL mode (green LED ON and LCD displays “Load Protected-On Line Mode”).
- 9 Confirm there are no active alarms present (“!” on the display and audible beeping). If an alarm is present, press the UP or DOWN arrows to display the active alarm. Correct the action as required.
- 10 Scroll through the Measure Menu and confirm all input and output power readings are within the recommended specifications.
- 11 If any problems are noted, contact your technical support personnel for further assistance.
- 12 The critical load is now supported by conditioned battery back-up power.



9-7 Preliminary Checklist (Parallel UPS)

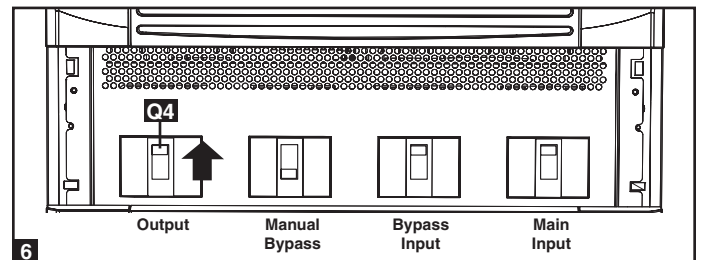
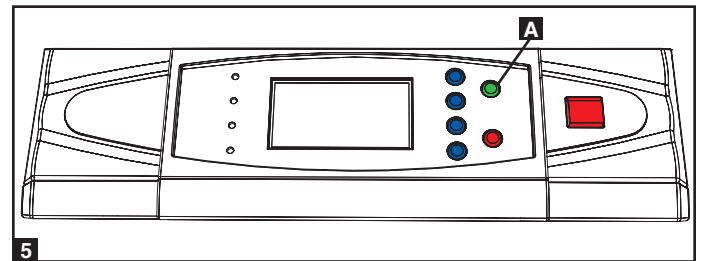
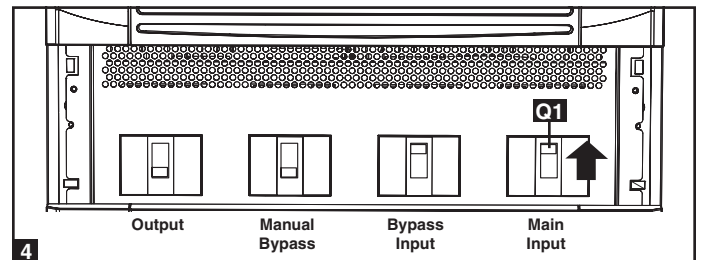
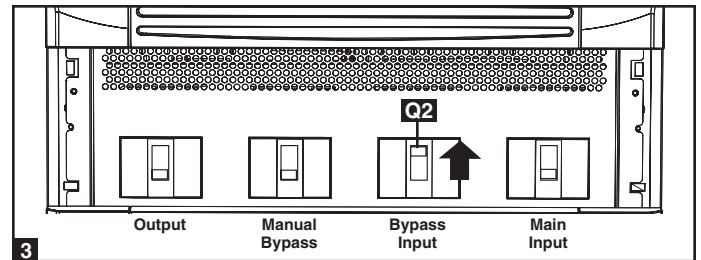
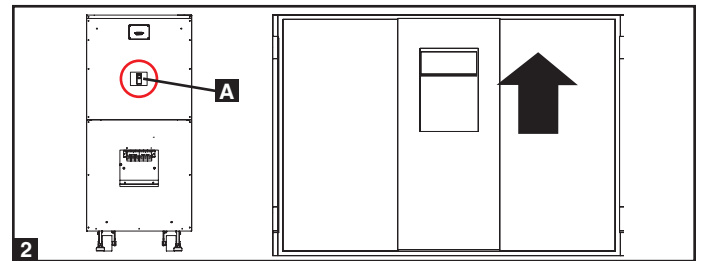
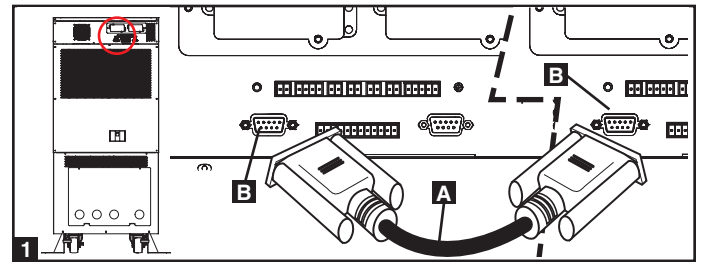
Warning: Parallel configuration requires exactly two UPS systems (1+1 redundancy or capacity). Do not attempt to link more than two UPS systems via parallel configuration. The UPS systems must have the same rating and capacity for parallel UPS installation. Attempting to link dissimilar UPS systems will damage the UPS systems and create a serious risk of personal injury and property damage.

- All circuit breaker switches should be off, including the breakers of the external battery cabinets.
- Confirm that no voltage potential exists between Neutral and Ground.
- Confirm that the input power source matches the rating (voltage, frequency and phase) of the UPS systems.
- Each UPS must have a different “Parallel ID” that indicates the UPS systems are being run in parallel. See [Section 10-5-5](#) for more details.

Note: After start-up, the UPS systems will perform a brief self-test and display the results on the LCD screen. After a successful self-test, the UPS systems will provide AC power to the connected equipment load.

9-8 Start-Up Procedure (Parallel UPS)

- 1 Connect the parallel configuration cable **A** to the DB9 parallel configuration port **B** of each UPS system. *Note: Before starting up the Parallel UPS system, ensure that the “Parallel ID” is different for each UPS and parallel group is set. (See [Section 10-5-5](#) for more details.*
- 2 If the UPS systems have external battery cabinets connected, switch on the external battery cabinet circuit breaker switch **A** of each battery pack. On the SU20KX or SU40KX, turn ON the battery breaker on the back of the UPS.
- 3 Switch on the bypass input circuit breaker switch **Q2** of each UPS system. After a brief initialization process, the LCD screen will show “ON AUTO BYPASS” and the “BYPASS” LED will illuminate.
- 4 Switch on the main input circuit breaker switch **Q1** of each UPS system.
- 5 Press the ON button **A** of one of the UPS systems for 3 seconds (until you hear a beep), then release the button. The inverter will activate and synchronize with the bypass source. Press the ON button for the other UPS system for 3 seconds (until you hear a beep), then release the button. When the inverter of each UPS system is operating normally, they will automatically switch from auto bypass (reserve) mode to online (normal) mode at the same time. The “BYPASS” LED will darken and the “NORMAL” LED will illuminate.
- 6 Check the output voltage of each UPS system. The phase deviation between each UPS system should be less than 5V. If the phase deviation is within the acceptable range, switch on the output circuit breaker switch **Q4** of each UPS system. *Note: For more information on checking the output voltage of each UPS system, see [Section 10-4](#).*

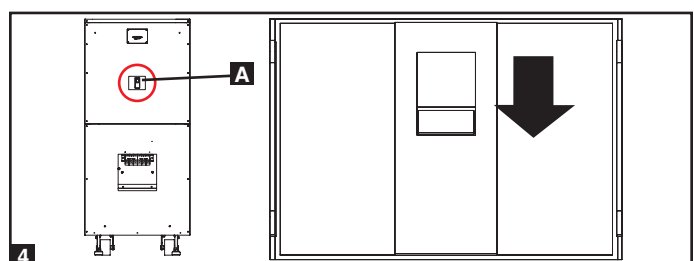
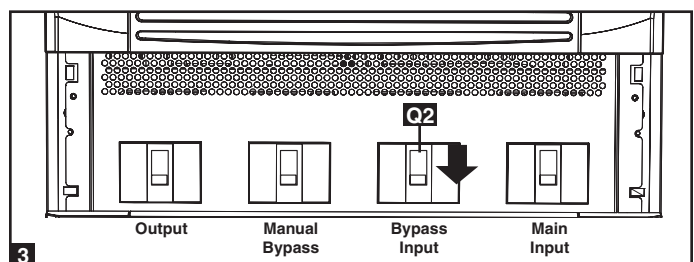
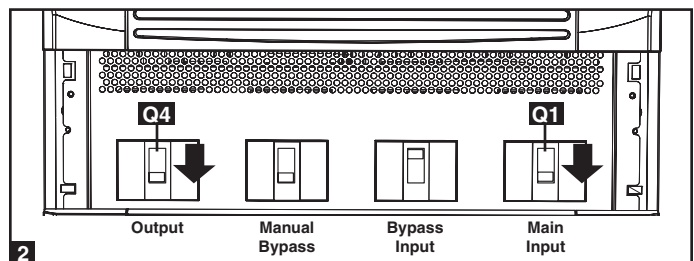
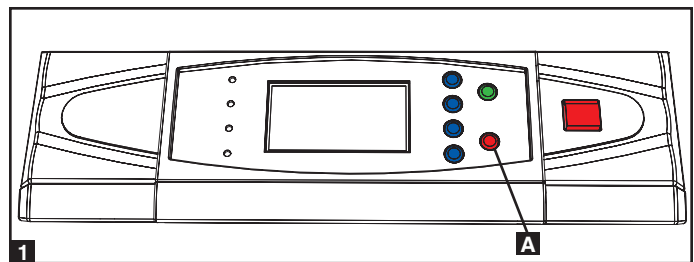


9-9 Shutdown Procedure (Parallel UPS)

Warning: The UPS system shutdown procedure will eliminate the AC power output for all loads. Before shutdown, confirm that all loads are turned off or place the UPS systems in manual bypass mode to keep loads powered by the bypass (reserve) power source.

- 1 For the UPS system you wish to shut down, press the OFF button **A** for 3 seconds (until you hear a beep), then release the button. If the other UPS system can support the connected equipment loads alone, the UPS system that was turned off will shut down its inverter and its LCD screen will read “LOAD NOT POWERED”. The other UPS system’s LCD screen will read “ONLINE MODE”. If the total connected equipment load is too large to be handled by a single UPS system, both UPS systems will shut down their inverters and switch to bypass mode, and their LCD screens will read “ON AUTO BYPASS”.
- 2 For the UPS system you wish to shut down, switch off the main input circuit breaker switch **Q1**, then switch off the output circuit breaker switch **Q4**.
- 3 For the UPS system you wish to shut down, switch off the bypass input circuit breaker switch **Q2**.
- 4 When the UPS system is completely shut down, the LCD screen will be completely off. If the UPS systems have external battery cabinets connected, switch off the external battery cabinet circuit breaker switch **A** of each battery pack. On the SU20KX or SU40KX, turn OFF the battery breaker on the back of the UPS.

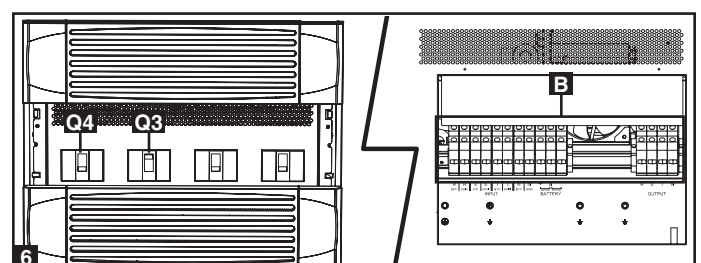
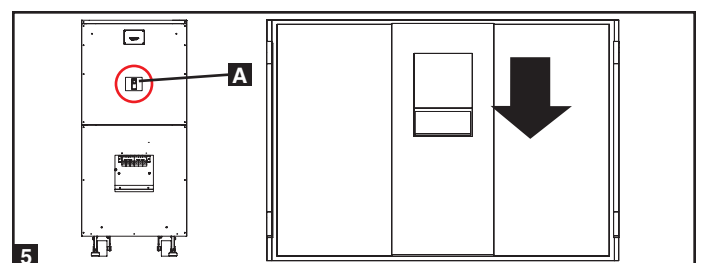
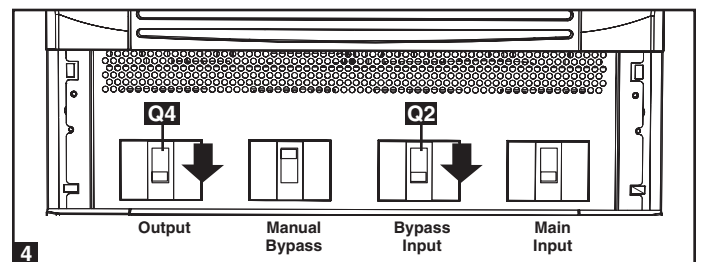
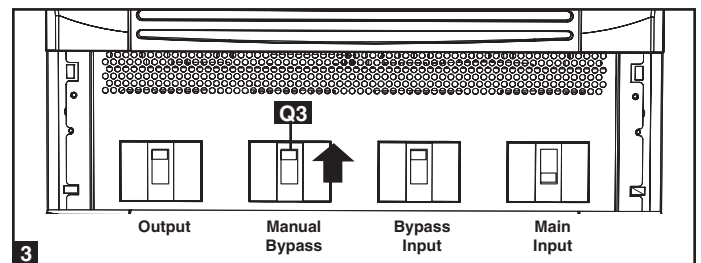
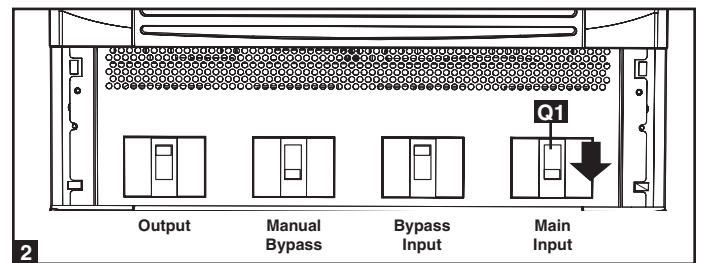
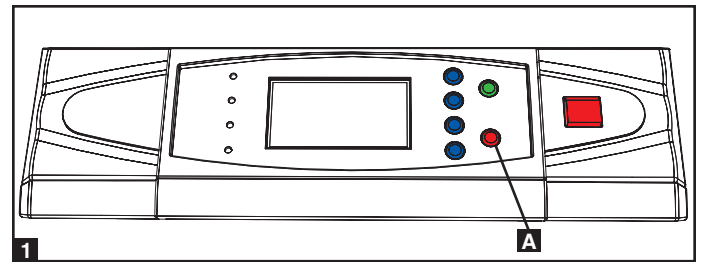
Note: If the UPS system remains off for an extended period of time, it should be turned on periodically to allow the batteries to recharge. The UPS system should be turned on and the batteries should be recharged at least one uninterrupted 24-hour period every 3 months. Failure to recharge the batteries periodically may cause irreversible battery damage.



9-10 Manual Bypass Procedure (Parallel UPS)

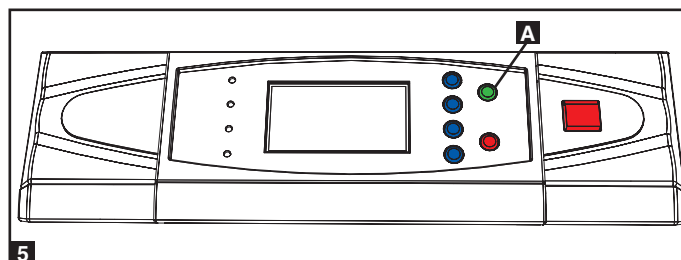
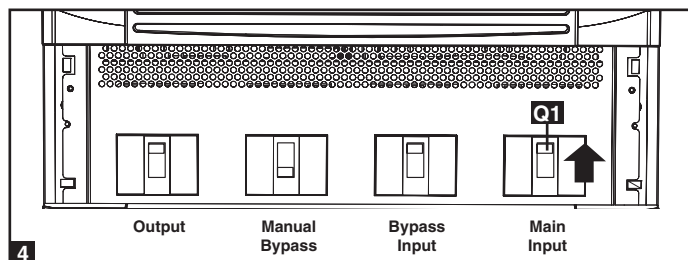
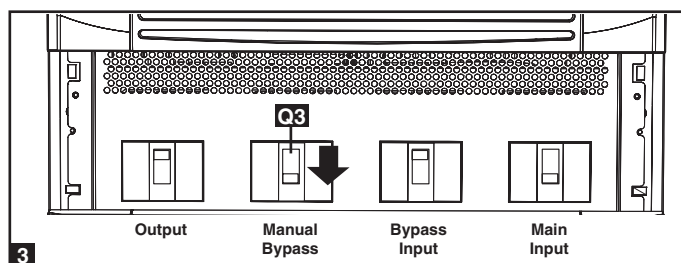
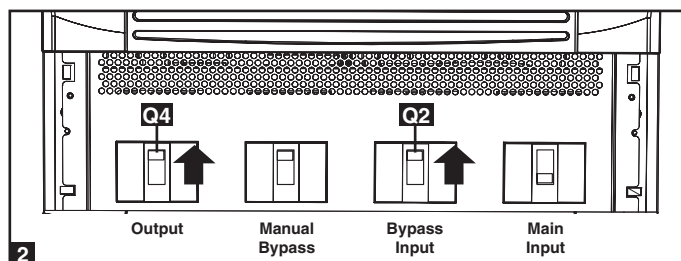
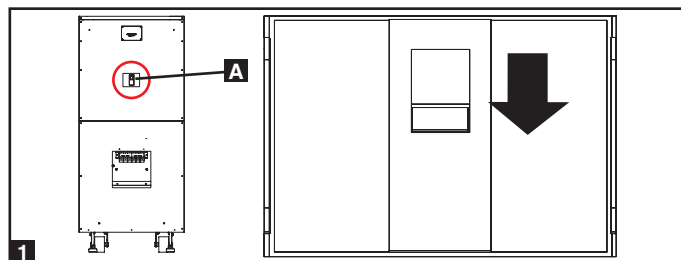
Warning: When the UPS system is in manual bypass, the inverter shuts down. Connected equipment loads are powered by the bypass (reserve) power source and will not receive battery backup during a utility power failure.

- 1 For the first UPS system you wish to shut down, press the OFF button **A** for 3 seconds (until you hear a beep), then release the button. If the other UPS system can support the connected equipment loads alone, the UPS system that was turned off will shut down its inverter and its LCD screen will read “LOAD NOT POWERED”. The other UPS system’s LCD screen will read “ONLINE MODE”. If the total connected equipment load is too large to be handled by a single UPS system, both UPS systems will shut down their inverters and switch to bypass mode, and their LCD screens will read “ON AUTO BYPASS”. Repeat step 1 for the second UPS system you wish to shut down.
- 2 Switch off the main input circuit breaker switch **Q1** of each UPS system.
- 3 Confirm that both UPS systems are shut down, then switch on the manual bypass input circuit breaker switch **Q3** of each UPS system. The bypass (reserve) power source will power the loads and the LCD screen will read “ON MANUAL BYPASS”.
- 4 Switch off the bypass input circuit breaker switch **Q2** and the output circuit breaker switch **Q4** of each UPS system. The LCD screen will turn off completely.
- 5 If the UPS systems have external battery cabinets connected, switch off the external battery cabinet circuit breaker switch **A** of each battery pack. On the SU20KX or SU40KX, turn OFF the battery breaker on the back of the UPS.
- 6 In this mode, only the manual bypass path (including the manual bypass circuit breaker **Q3**), the load terminals of the output circuit breaker switch **Q4** and the terminal block **B** contain hazardous voltage, allowing qualified service personnel to perform maintenance or repair. *Note: Qualified service personnel may prefer to de-energize the UPS systems completely, depending on local codes and the nature of the maintenance or repair.*



9-11 Switching from Manual Bypass to Normal Mode (Parallel UPS)

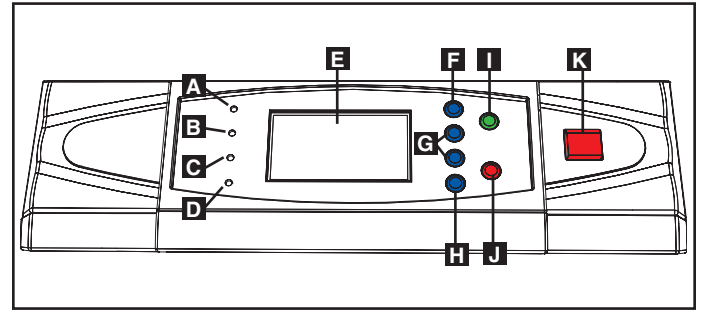
- 1** If the UPS systems have external battery cabinets connected, switch off the external battery cabinet circuit breaker switch **A** of each battery pack. On the SU20KX or SU40KX, turn OFF the battery breaker on the back of the UPS.
- 2** Switch on the bypass input circuit breaker switch **Q2** and the output circuit breaker switch **Q4** of each UPS system.
- 3** Confirm that both UPS systems are shut down, then switch off the manual bypass input circuit breaker switch **Q3** of each UPS system. The LCD screen will read “ON AUTO BYPASS”.
- 4** Switch on the main input circuit breaker switch **Q1** of each UPS system.
- 5** Press the ON button **A** of the first UPS systems for 3 seconds (until you hear a beep), then release the button. Press the ON button for the second UPS system for 3 seconds (until you hear a beep), then release the button. When the inverter of each UPS system is operating normally, they will switch to online (normal) mode at the same time.



10 – Display and Configuration

10-1 Control Panel Diagram

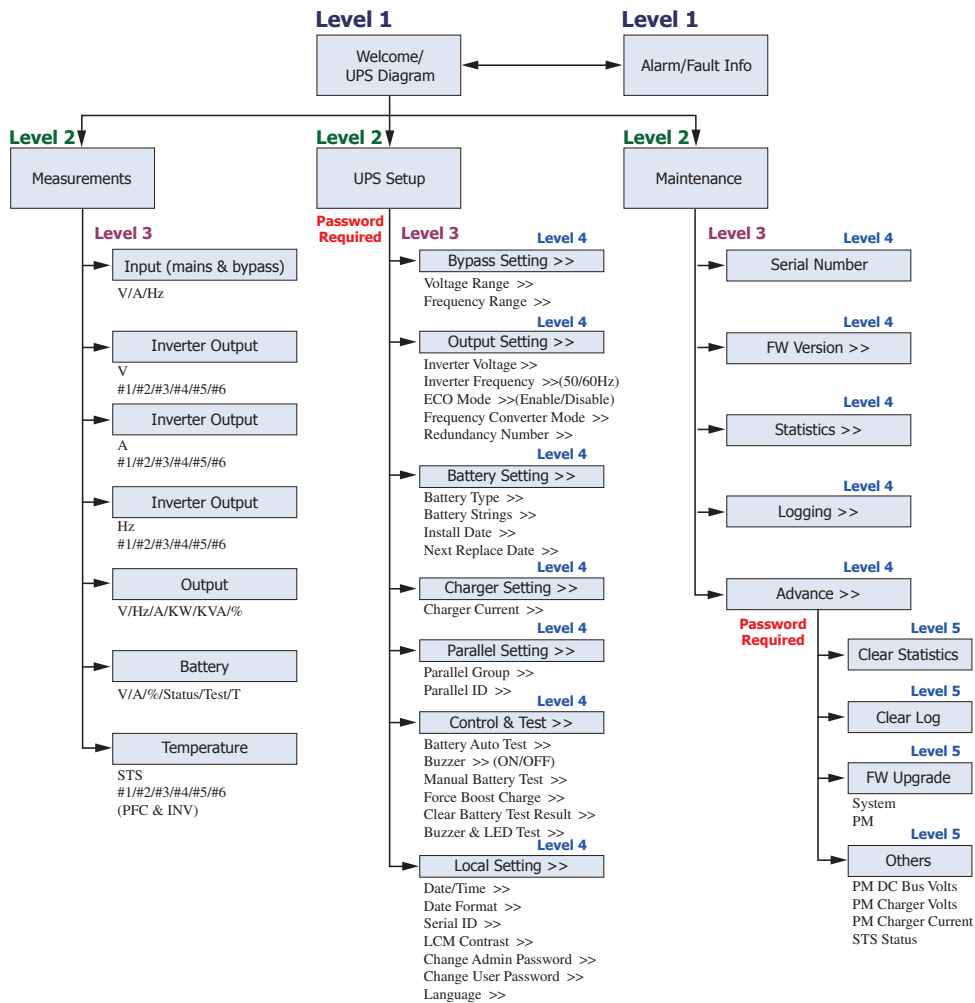
- A** “NORMAL” (Green) LED: Illuminated when the UPS input power is normal.
- B** “BATTERY” (Amber) LED: Illuminated when the UPS is in Battery Backup mode.
- C** “BYPASS” (Amber) LED: Illuminated when the UPS is in Manual Bypass mode.
- D** “FAULT” (Red) LED: Illuminated when any fault occurs.
- E** LCD Status Display: Multi-language display.
- F** “ESC” (Escape) Button: Escape/Page Up.
- G** Scroll Buttons (▲ and ▼): Scroll cursor Up or Down.
- H** Enter Button (↵): Confirm settings.
- I** ON Button: Press and hold for 3 seconds to start up the UPS (turns Inverter ON).
- J** OFF Button: Press and hold for 3 seconds to power OFF the UPS (turns Inverter OFF).
- K** “EPO” (Emergency Power Off) Button: Pressing the EPO button will completely remove power from the UPS output.



Control Panel

10-2 Display Hierarchy

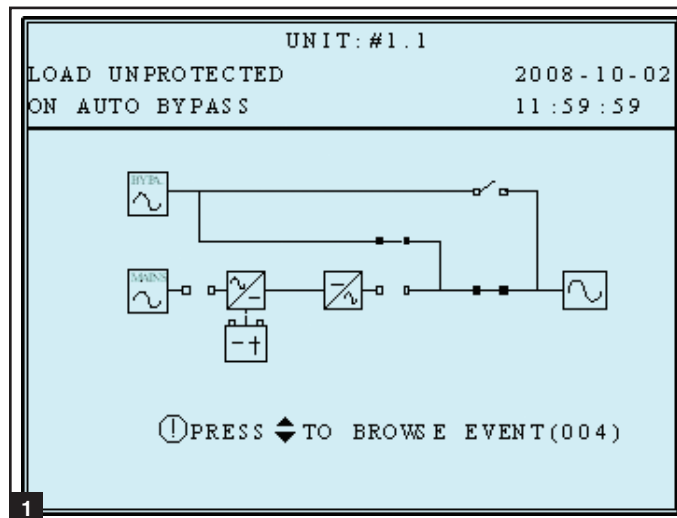
The Tripp Lite E3 Series UPS features a user-friendly LCD screen to show messages and display UPS Status screens.



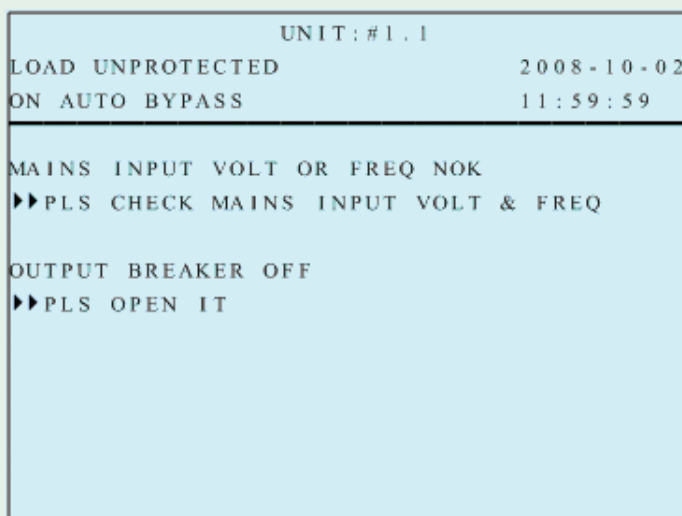
10 – Display and Configuration (continued)

10-3 Default Display

- 1 After the UPS system starts up and completes the self-test, the LCD status screen will show the default display. The default display includes a status message and diagram that shows the operational status of the UPS system.



When any event occurs, you will see the sign “!” flashes. You can press “▼” to see the details. For example:



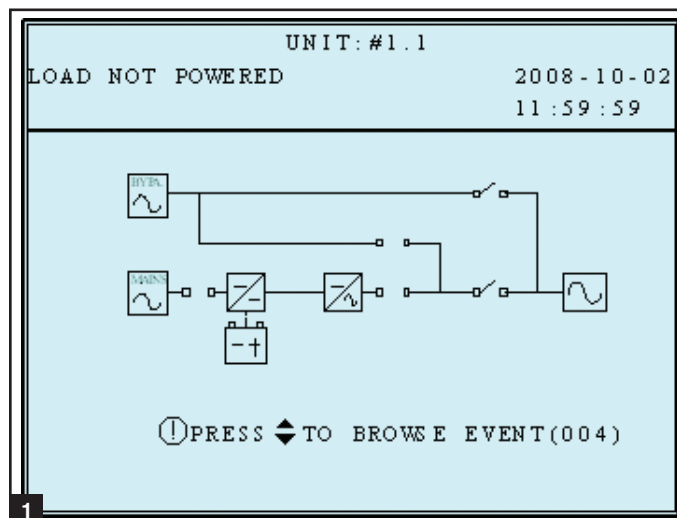
Press “▼” again to go to the next message. If there is no further message, the screen will return to the default screen.

10-3-1 Status Display

- 1 The UPS system output is off and the connected equipment loads are not powered. This condition may be due to automatic UPS shutdown or manually switching off the output circuit breaker switch.

Possible causes:

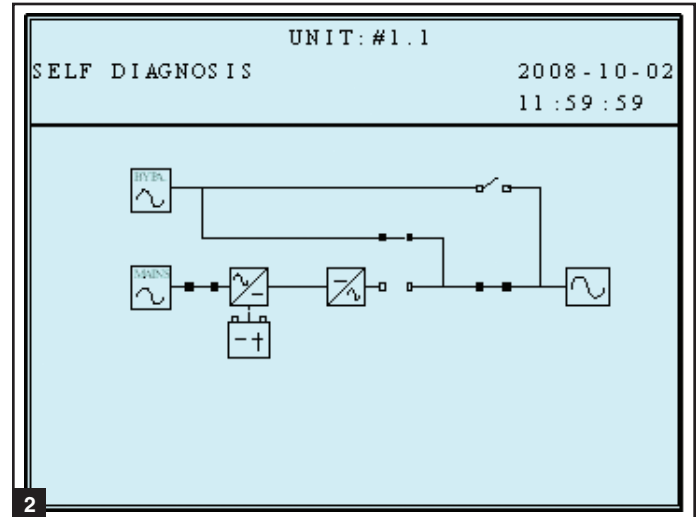
- The UPS automatically shuts down by itself.
- Manually switch off the output circuit breaker.



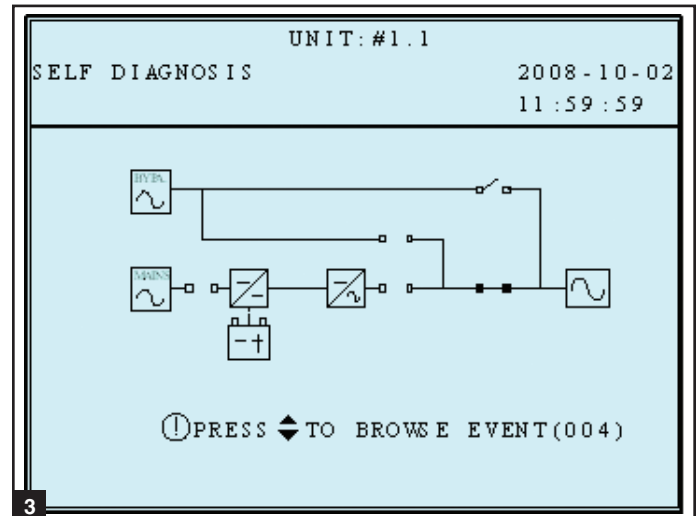
10 – Display and Configuration (continued)

10-3-1 Status Display (continued)

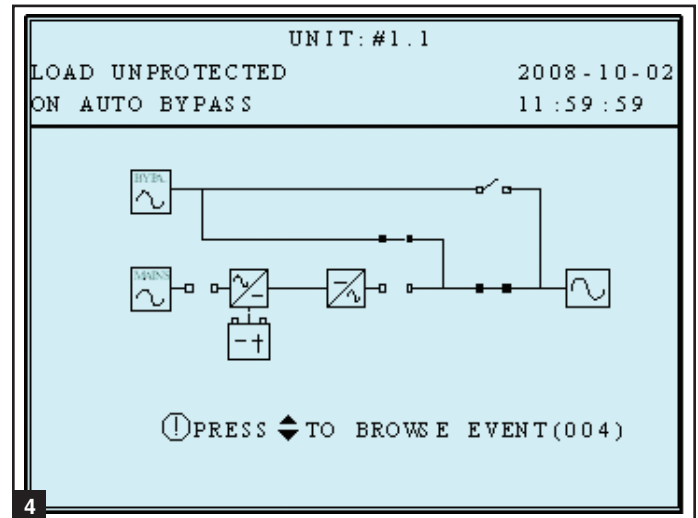
2 The loads are supplied by bypass source due to initial startup of the UPS.



3 The UPS is starting up by battery power.



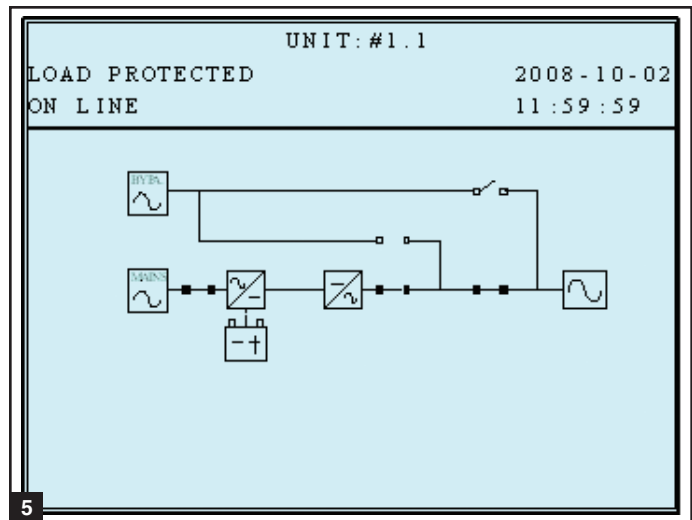
4 The UPS system is in auto bypass mode. Connected equipment loads will lose power if the bypass power source fails.



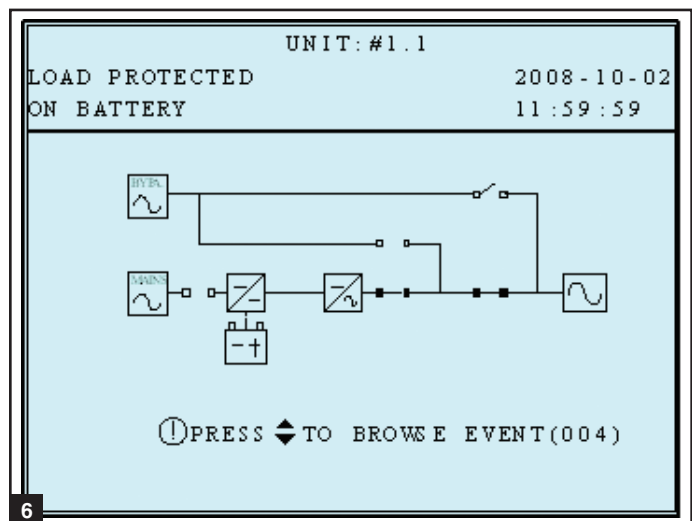
10 – Display and Configuration (continued)

10-3-1 Status Display (continued)

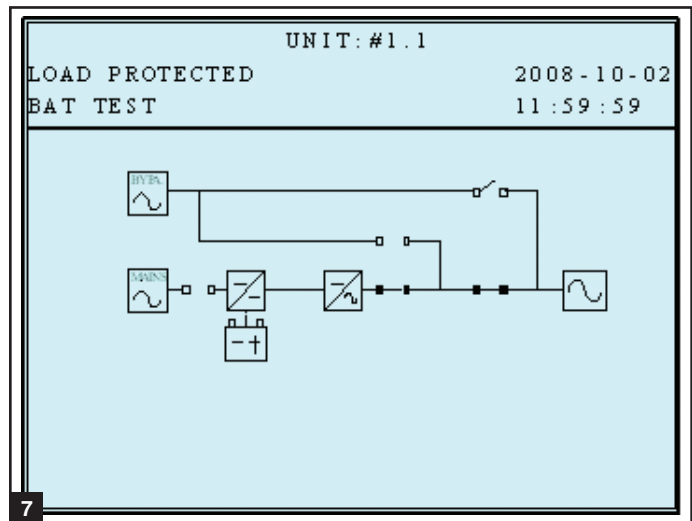
5 The UPS system is operating in online (normal) mode. Connected equipment loads will receive battery backup power if the mains (utility or generator) power source fails.



6 The UPS is in battery backup mode. The loads are supplied by battery power.



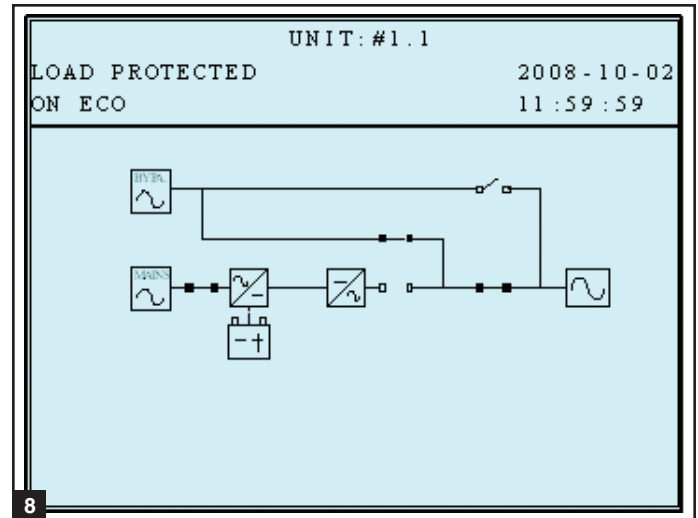
7 The UPS is performing the “battery test”.



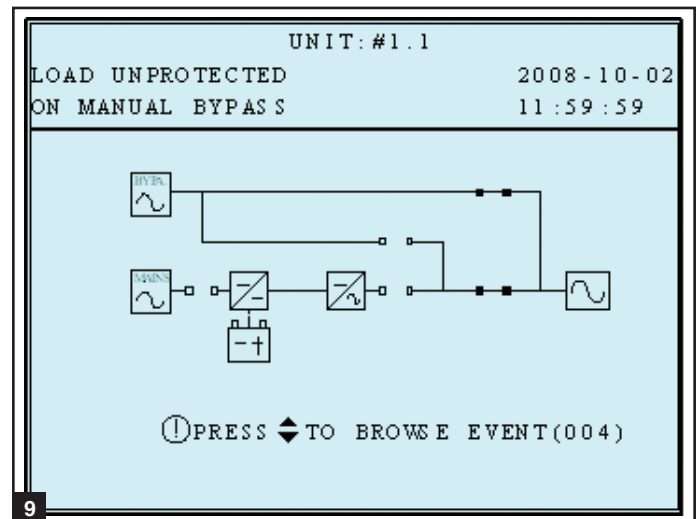
10 – Display and Configuration (continued)

10-3-1 Status Display (continued)

8 The UPS system is operating in economy mode, and connected equipment loads are being powered by the bypass source.

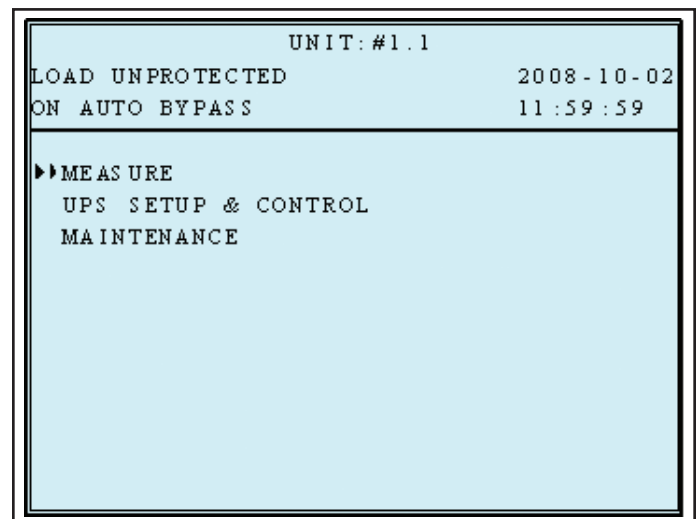


9 The UPS system is in manual bypass mode in order to allow qualified service personnel to perform maintenance or repair on the UPS system. Connected equipment loads will lose power if the bypass power source fails.



10-4 Main Menu

From the default display, press the enter button (↵) to access the main menu. Press the scroll down button (▼) or the scroll up button (▲) to move the cursor. Press the enter button (↵) to select one of the available menu options.

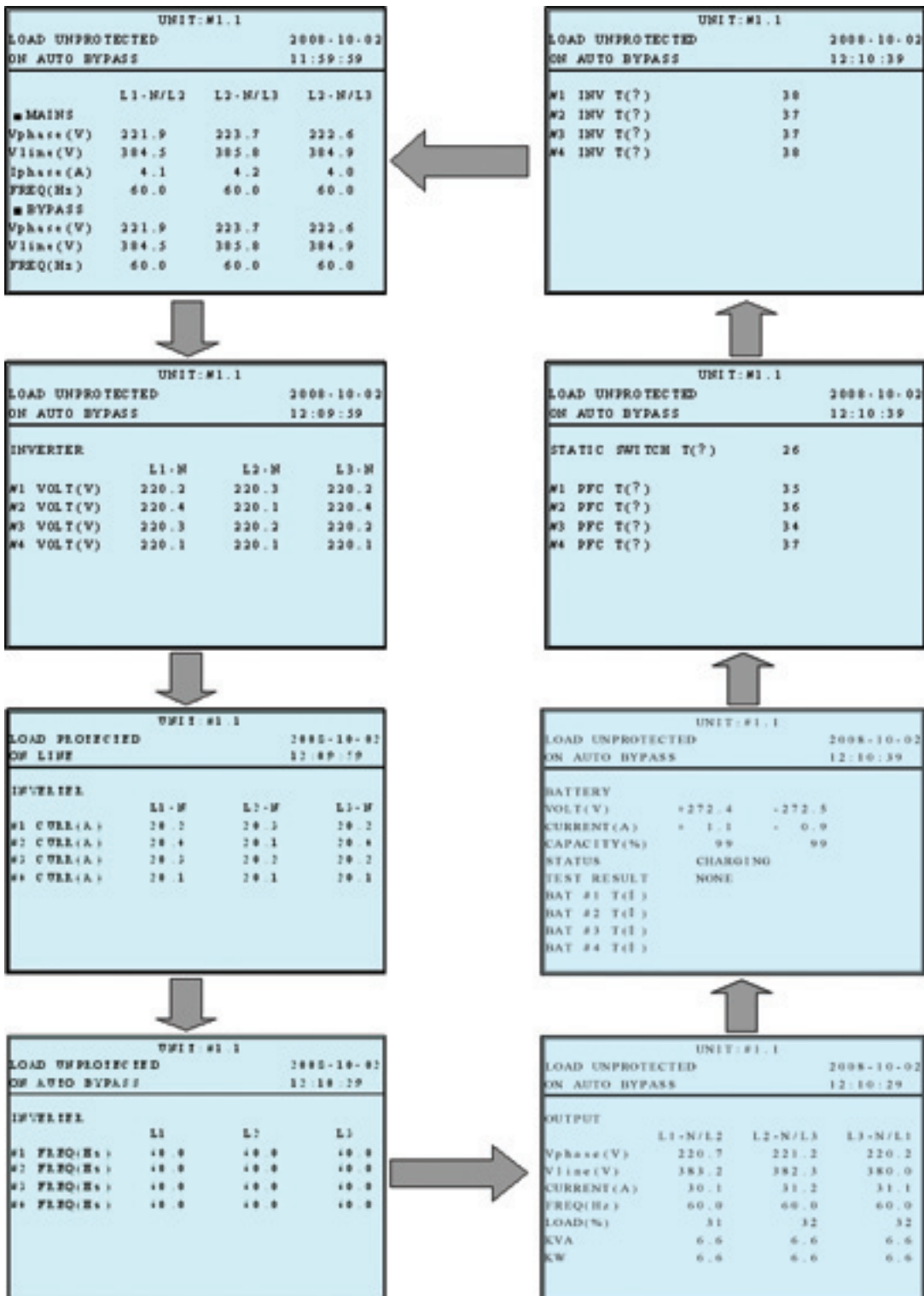


10 – Display and Configuration (continued)

10-4 Main Menu (continued)

UPS System “Measure Menu”

1. Press the enter button (↵) to select “MEASURE” from the main menu.
2. Use the scroll buttons (▲ or ▼) to scroll through the available data screens. Press the “ESC” button to return to the previous menu.



10

10-5 UPS Setup

Before changing the setting of each SETUP, you have to login first.

- 1 Accessing the UPS system setup menu requires a password. From the login screen, press the enter button (↵) to select whether to log in as an administrator or user.

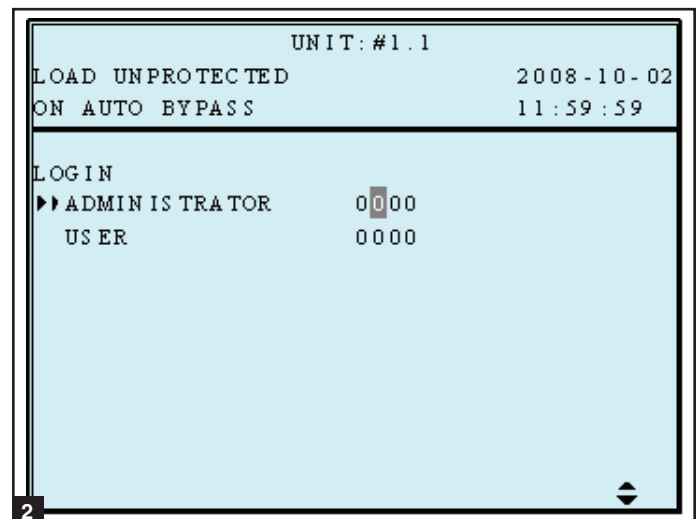
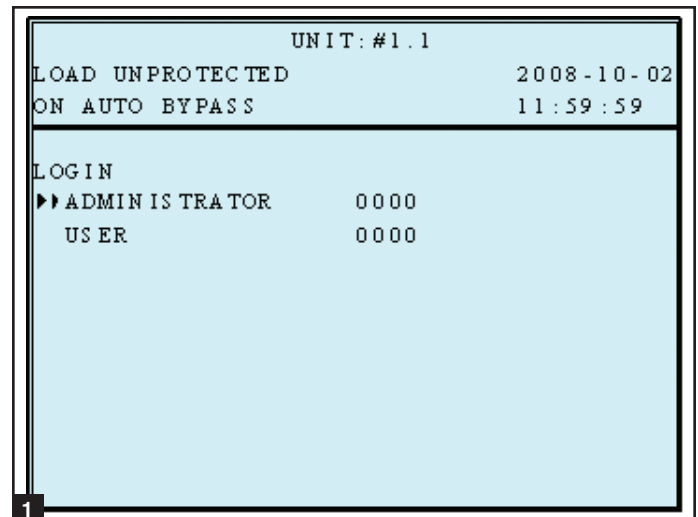
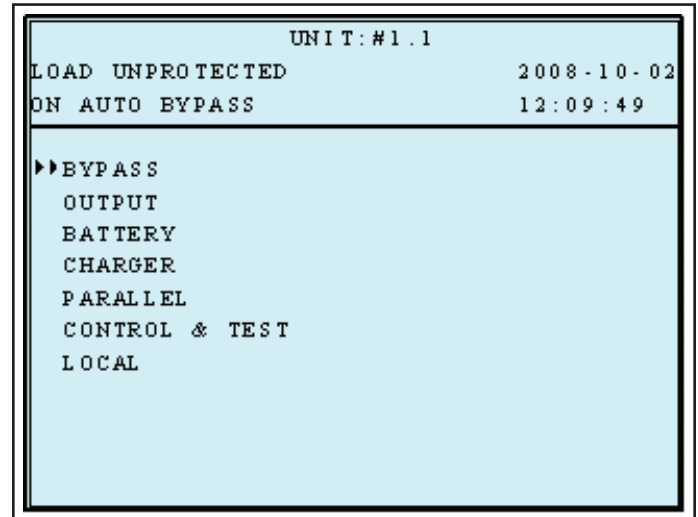
ADMINISTRATOR:

Qualified service personnel

User:

The authorization is only to check the parameter but not to configure.

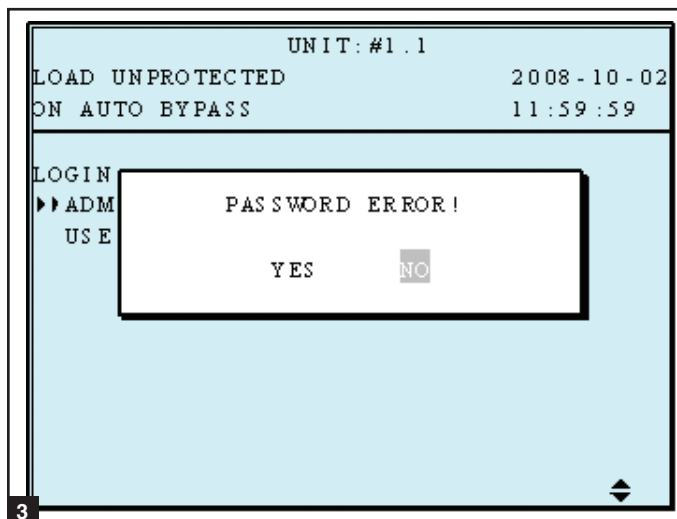
- 2 The password consists of 4 numerals. Press the scroll down button (▼) or the scroll up button (▲) to select the first numeral, then press the enter button (↵) to enter the numeral choice. After entering the last numeral, press the enter button (↵) to confirm the password choice. The default user password is 0000. The default administrator password is 0000. Only qualified service personnel should have access to the administrator password.



10 – Display and Configuration (continued)

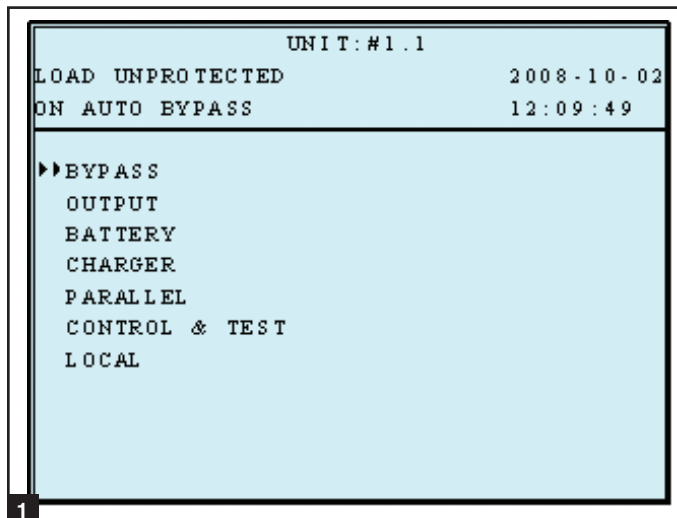
10-5 UPS Setup (continued)

- 3 If the password is wrong, press "←" to reselect.

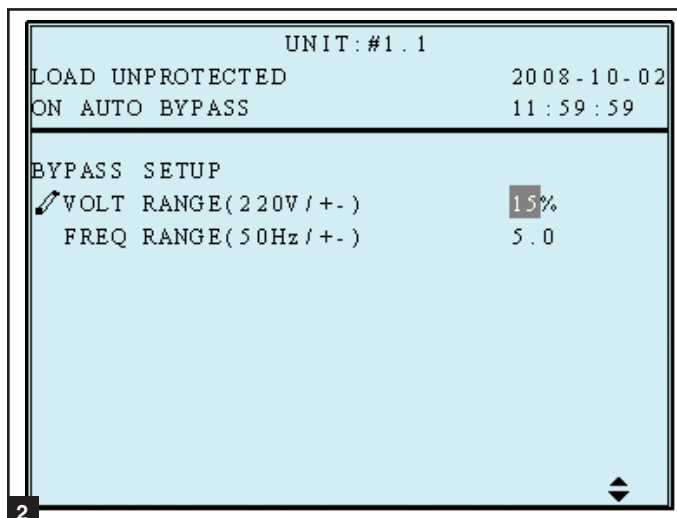


10-5-1 Bypass Setup

- 1 Enter the UPS system setup menu. Use the scroll buttons (▲, ▼) to move the cursor to "BYPASS SETUP", then press the enter button (↵).



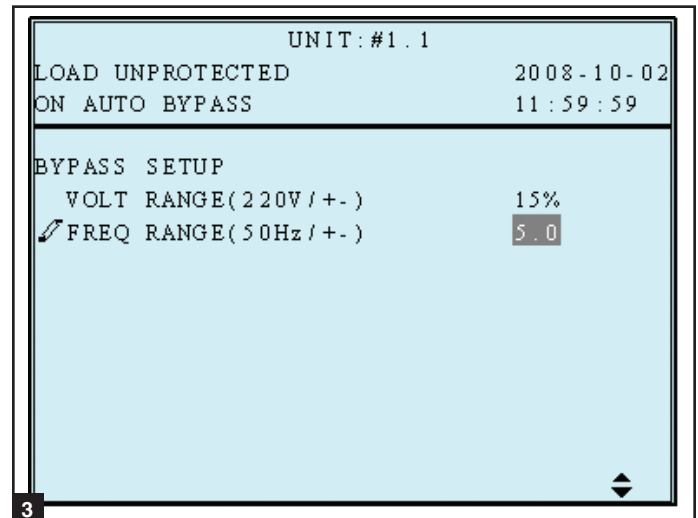
- 2 From the "VOLTAGE RANGE" screen, use the scroll buttons (▲, ▼) to select a bypass voltage range and press the enter button (↵) to confirm the setting.



10-5-1 Bypass Setup (continued)

- From the “FREQUENCY RANGE” screen, use the scroll buttons (▲, ▼) to select a bypass frequency range and press the enter button (↵) to confirm the setting.

Press “ESC” to return to the “UPS SETUP” menu.



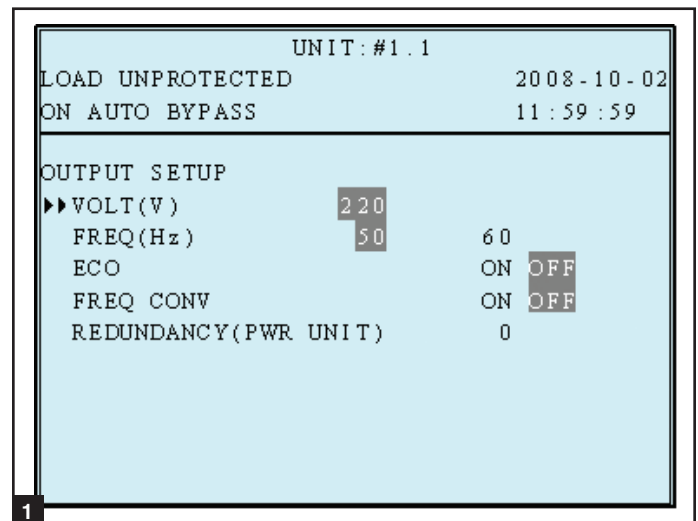
10-5-2 Output Setup

Use “▲” or “▼” to select “OUTPUT SETUP”, then press “↵” to confirm.



All parameters in this segment can only be changed when UPS is in “Bypass Mode”.

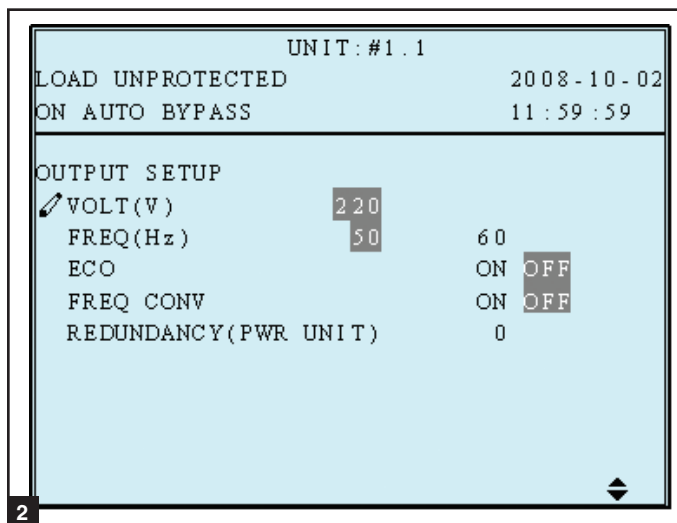
- Enter the UPS system setup menu. Use the scroll buttons (▲, ▼) to move the cursor to “OUTPUT SETUP”, then press the enter button (↵).



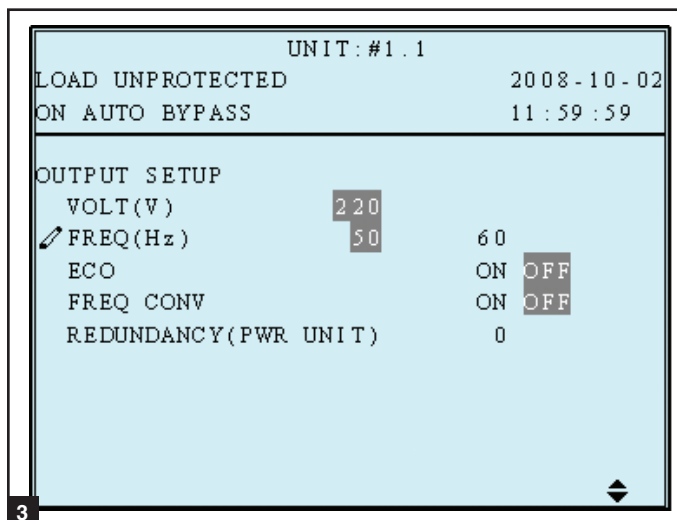
10-5-2 Output Setup (continued)

2 Output Voltage

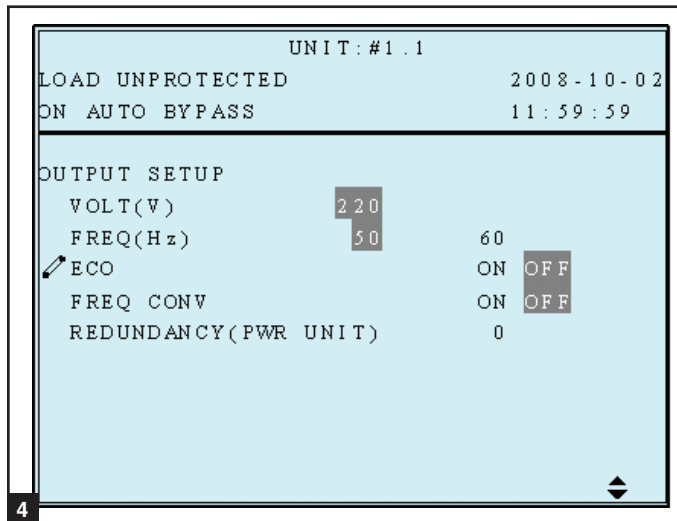
Do not change the default voltage setting as it will negatively affect UPS performance.



3 From the “FREQUENCY” screen, use the scroll buttons (▲,▼) to select the desired setting and press the enter button (↵) to confirm the setting. *Note: The output frequency setting is only used when the UPS system starts from battery or when frequency converter mode is enabled.*

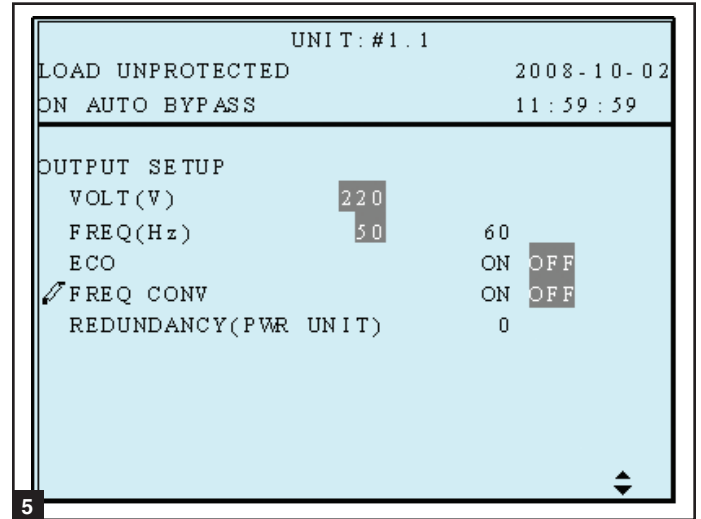


4 From the “ECO MODE” screen, use the scroll buttons (▲,▼) to select the desired setting and press the enter button (↵) to confirm the setting.



10-5-2 Output Setup (continued)

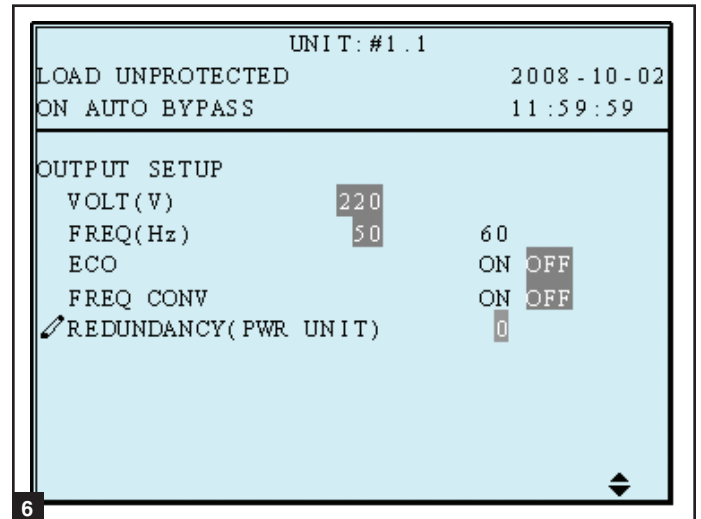
- 5** From the “FREQ CONVERTER MODE” screen, use the scroll buttons (▲,▼) to select the desired setting and press the enter button (↵) to confirm the setting. In frequency converter mode, the UPS will convert the incoming electrical power frequency to a different output frequency. Therefore, 60Hz can change to 50Hz output or 50Hz input can change to 60Hz output. When in frequency converter mode, bypass power is not an available source (the UPS will not transfer to bypass).



6 Redundancy

Use “▲” or “▼” to select the desired number of modules for redundancy (usually one) for redundancy, then press “↵” to confirm.

This feature allows the user to determine an acceptable power output limit to guarantee a redundancy of N+1. When this feature is enabled, the UPS will send an alarm when power usage exceeds 80% of the “non-redundant” power modules while maintaining the number of redundant power modules set. For example, on an 80kVA UPS, if a Redundancy Setup is set to “1 Power Module”, the UPS will trigger an alarm when you exceed 80% of 60kVA as to guarantee one power module for N+1 redundancy.



Press “ESC” to return to the “UPS SETUP” menu.

10-5-3 Battery Setup

Use “▲” or “▼” to select “BATTERY”, then press “↵” to confirm.



All parameters in this segment can only be changed when UPS is in “Bypass Mode”.

10-5-3 Battery Setup (continued)

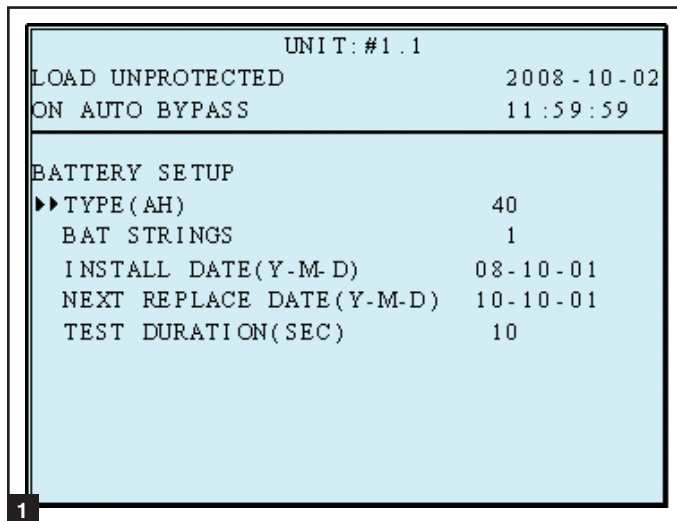
- 1 Enter the UPS system setup menu. Use the scroll buttons (▲, ▼) to move the cursor to “BATTERY SETUP”, then press the enter button (↵).

At UPS startup, you must enter information about the battery, including amp hour rating, number of strings and charger current. Use the following formulas as a guide.

TYPE (AH) – Internal batteries are 9 AH per string. The AH rating for external batteries is equal to the number after the “V” in the model name. *For example, BP480V26B = 26 AH.* When internal and external batteries are used, total the values of each battery string. *For example, SU40KX and BP480V26B = 58 AH (9+9+40).*

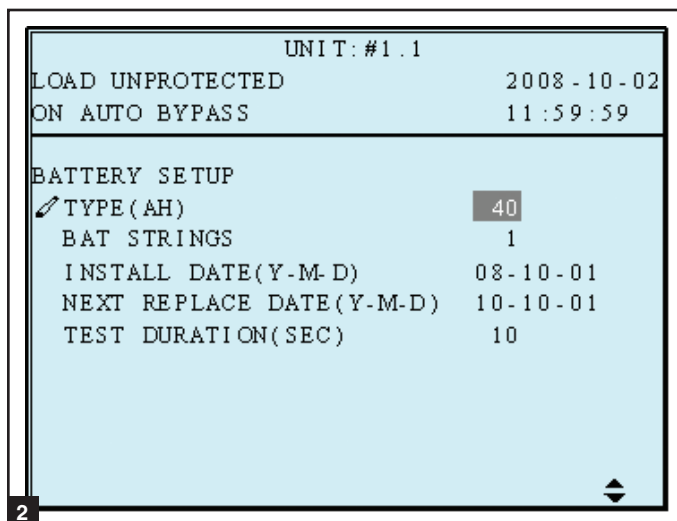
BAT STRINGS – If only internal batteries are used, enter the number of strings. *For example, SU40KX has two internal battery strings, so enter “2”.* If both internal and external batteries are used, do not count the internal battery. *For example, SU40KX with BP480V55, enter “1”.*

CHARGER CURRENT – See [Section 10-5-4](#) for information about setting the charger current.

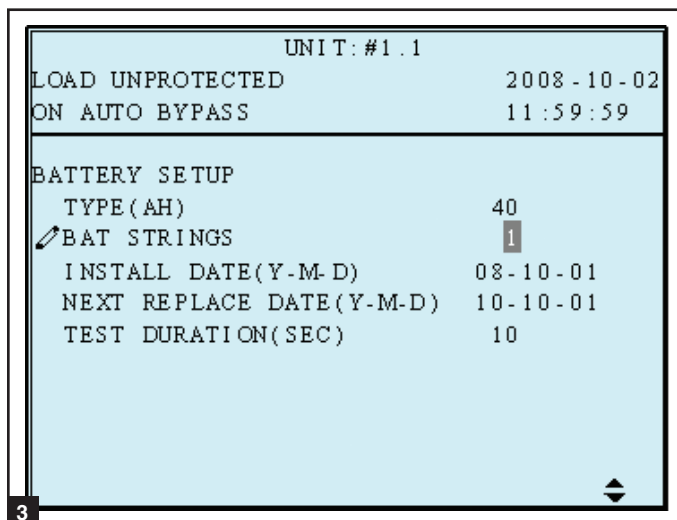


- 2 From the “EXT BAT TYPE” screen, use the scroll buttons (▲, ▼) to select the desired settings and press the enter button (↵) to confirm the settings. *Note: See step 1 for additional guidance on AH settings.*

BP480V26B = 26 AH
 BP480V40C = 40 AH
 BP480V55 = 55 AH
 BP480V78 = 78 AH
 BP480V103 = 103 AH
 BP480V140 = 140 AH

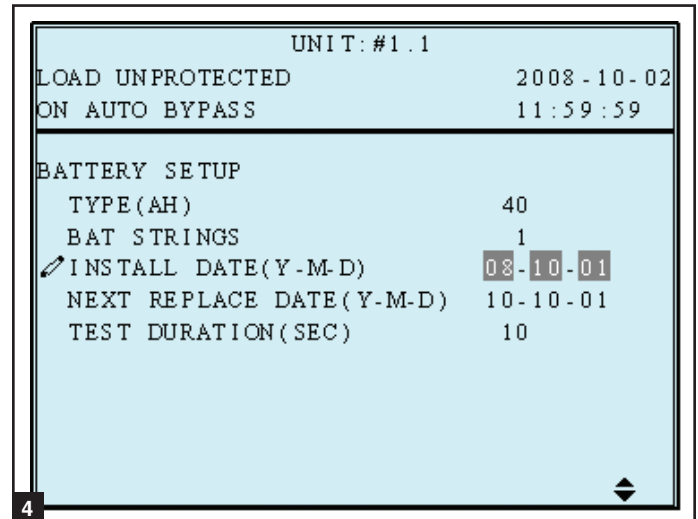


- 3 **Battery Strings**
 Use “▲” or “▼” to select the desired number of battery strings, then press “↵” to confirm. *Note: See step 1 for information about battery string settings.*



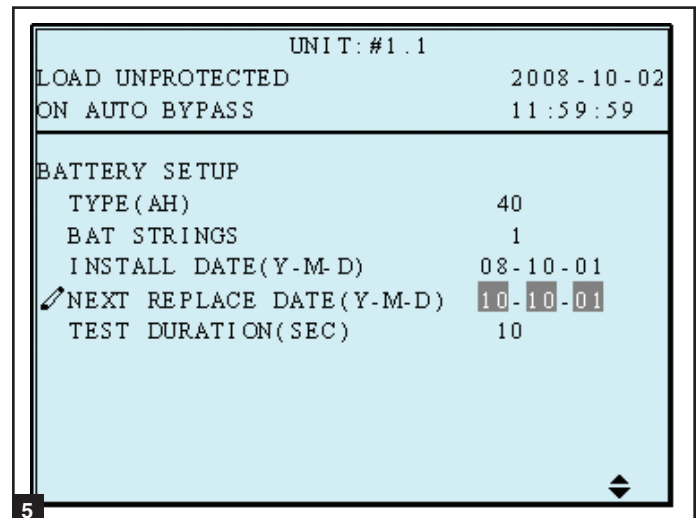
10-5-3 Battery Setup (continued)

- 4 From the “INSTALL DATE” screen, use the scroll buttons (▲, ▼) to select the desired settings and press the enter button (↵) to confirm the settings.



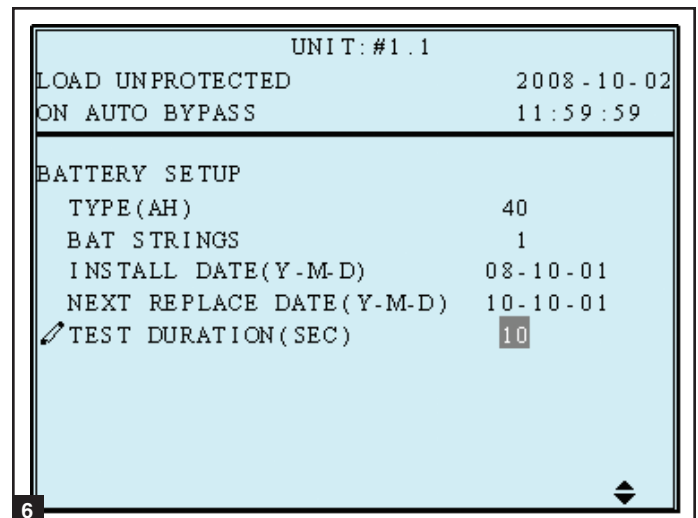
5 **Battery Next Replace Date**

Use “▲” or “▼” to set the next replace date, then press “↵” to confirm. (When the selected date is reached, the UPS will alarm and a message will be shown in the LCD display.)



- 6 From the “TEST DURATION” screen, use the scroll buttons (▲, ▼) to select the desired setting and press the enter button (↵) to confirm the setting.

Press “ESC” to return to the “UPS SETUP” menu.



10-5-4 Charger Setup

Use “▲” or “▼” to select “CHARGER”, then press “←” to confirm.

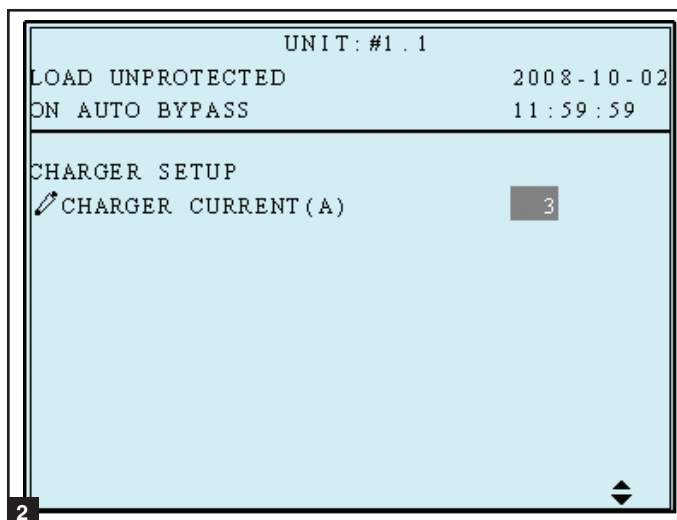
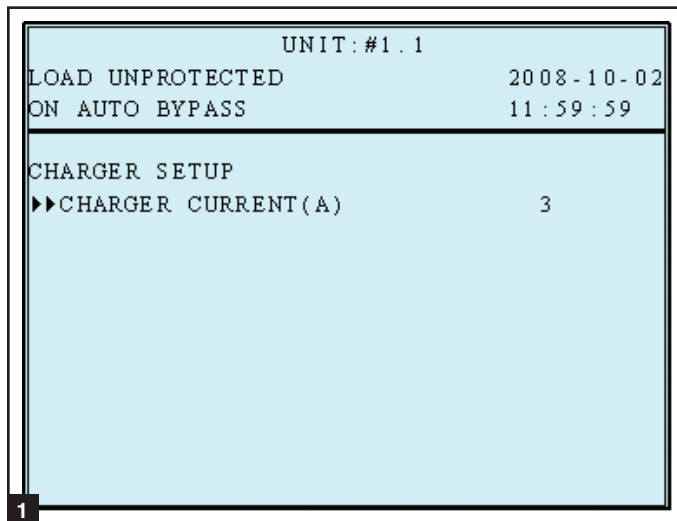
- 1 From the “CHARGER CURRENT” screen, use the scroll buttons (▲,▼) to select the desired setting and press the enter button (←) to confirm the setting. *Note: The default charger current setting is 7A.*

Each internal power module has a 5 amp charger. Charger current can be set from a minimum of 2 amps total to a maximum of 5 amps per internal power module, multiplied by the number of modules. *For example, the SU60KX has three internal power modules, so its charger current range is 2-15 amps.* Set the charger current value based on the size of the battery system. See [Section 10-5-3](#) for more information about determining the size of the battery system.

Warning: Setting the charger current too high may damage batteries and reduce their operational lifespan. Consult the factory for guidance before changing the default setting.

- 2 Press “▲” or “▼” to change the charging current, then press “←” to confirm.

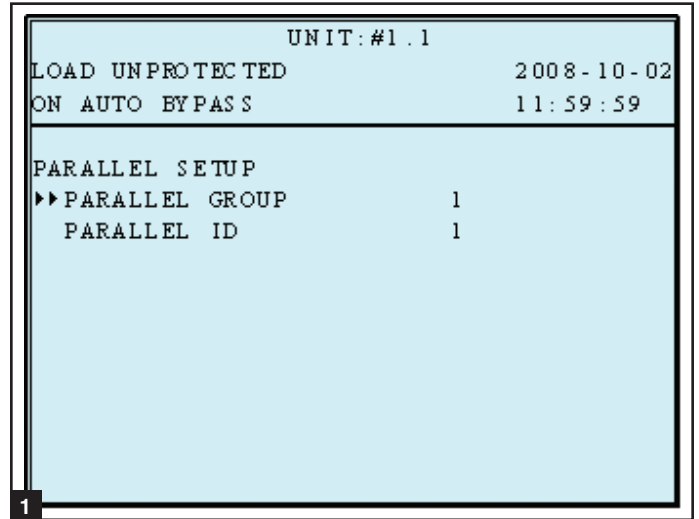
Press “ESC” to return to the “UPS SETUP” menu.



10-5-5 Parallel Setup

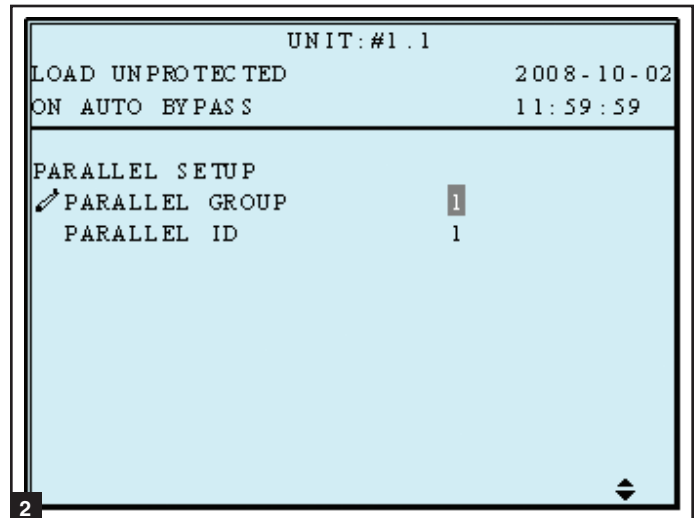
Use “▲” or “▼” to select “PARALLEL”, then press “←” to confirm.

- 1 Use “▲” or “▼” to select the desired item, then press “←” to confirm.



- 2 **Parallel Group**

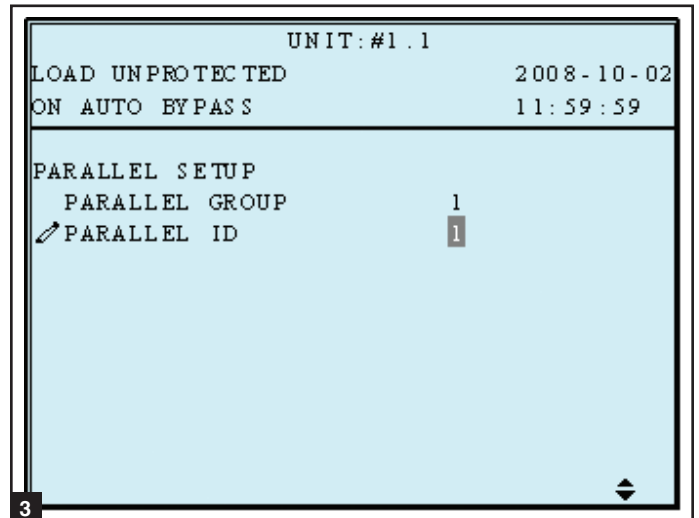
The parallel group setting tells the UPS that it is operating in parallel. Group 1 is the default setting. See [Section 7 – Wiring](#) for wiring considerations. *Note: Possible settings are 1 or 2.*



- 3 **Parallel ID**

Identifies the UPS number (1-8) within the group. When paralleling UPS systems, each must have a unique Parallel ID.

Press “ESC” to return to the “UPS SETUP” menu.

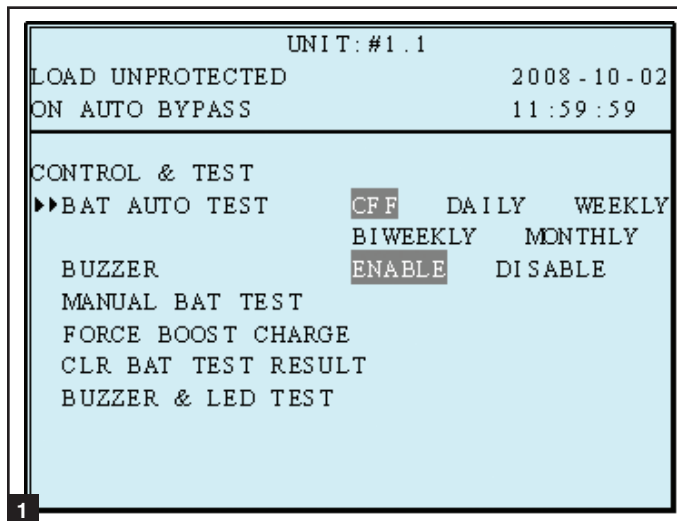


10 – Display and Configuration (continued)

10-5-6 Control & Test Setup

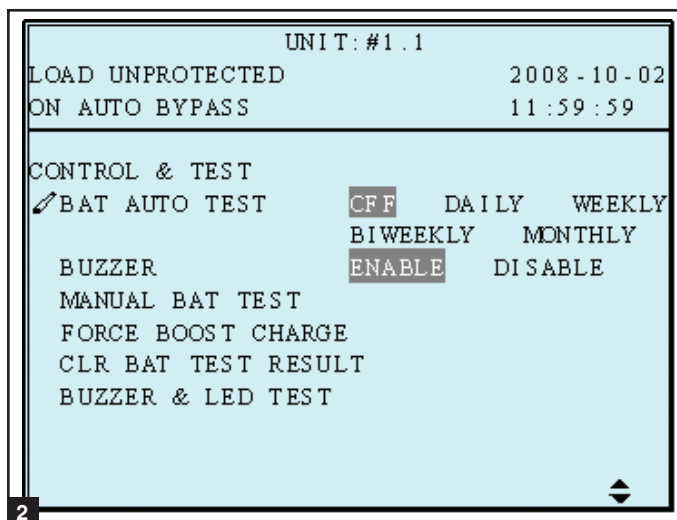
Use “▲” or “▼” to select “CONTROL & TEST”, then press “←” to confirm.

- 1 Use “▲” or “▼” to select the desired item, then press “←” to confirm.



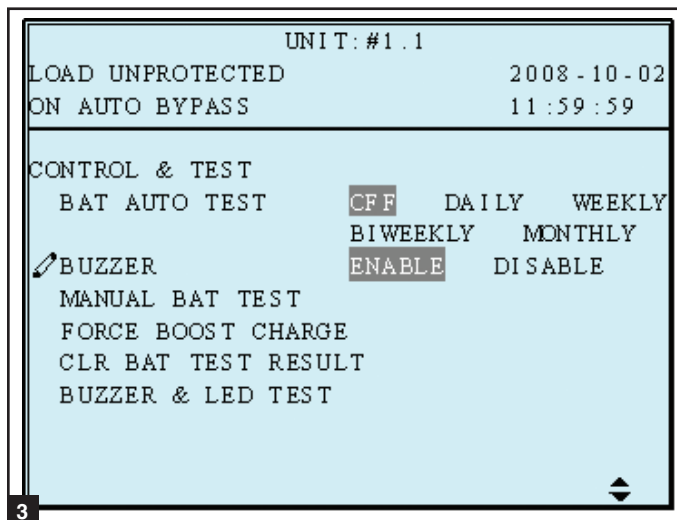
- 2 **Battery Auto Test**

Use “▲” or “▼” to select the desired item, then press “←” to confirm. Allows for scheduling of a battery test frequency for the duration selected in [Section 10-5-3](#) step 6.



- 3 **Buzzer**

Use “▲” or “▼” to select enable or disable the buzzer, then press “←” to confirm. Silences the audible alarm.

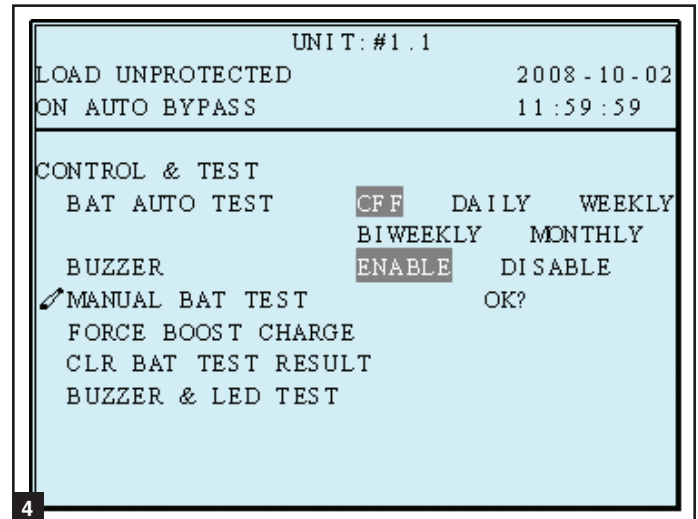


10-5-6 Control & Test Setup (continued)

4 Manual Battery Test

Press "←" to execute "MANUAL BAT TEST". Allows you to run a battery test at a non-scheduled time at the user's discretion.

(This item is only accessible for administrator! The Password will be needed.)



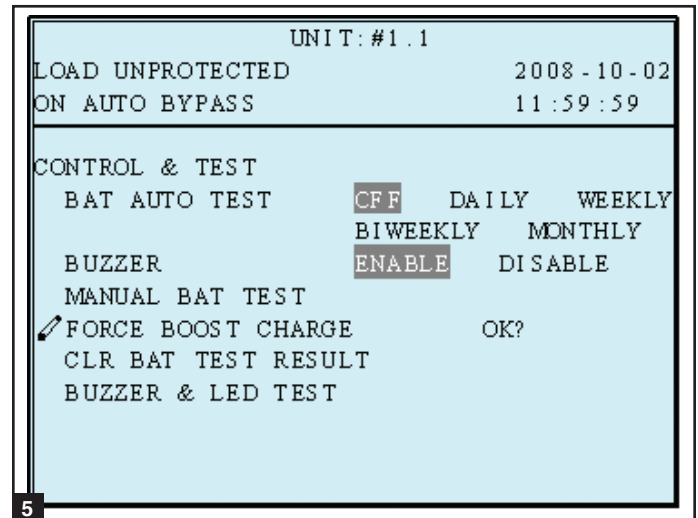
UNIT: #1.1
LOAD UNPROTECTED 2008-10-02
ON AUTO BYPASS 11:59:59

CONTROL & TEST
BAT AUTO TEST CFF DAILY WEEKLY
BIWEEKLY MONTHLY
BUZZER ENABLE DISABLE
✎ MANUAL BAT TEST OK?
FORCE BOOST CHARGE
CLR BAT TEST RESULT
BUZZER & LED TEST

4

5 Force Boost Charge

Press "←" to execute "FORCE BOOST CHARGE" Enables activating the boost charge which is at a voltage of 20% higher than the nominal setting. Warning: Boosting battery charge rate for extended periods may damage the battery system.



UNIT: #1.1
LOAD UNPROTECTED 2008-10-02
ON AUTO BYPASS 11:59:59

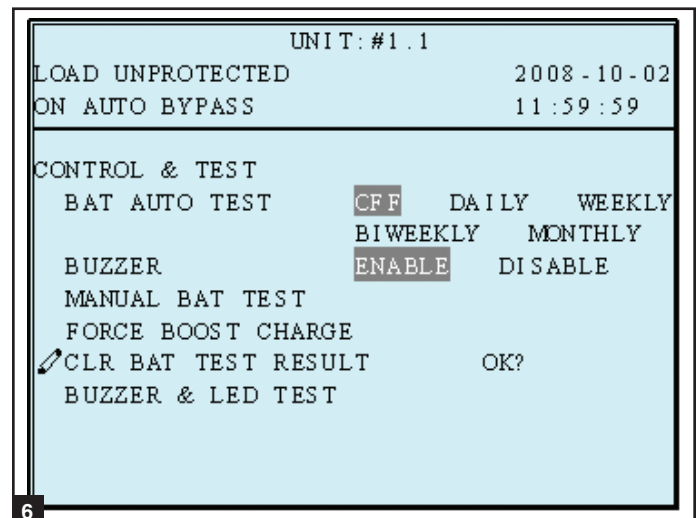
CONTROL & TEST
BAT AUTO TEST CFF DAILY WEEKLY
BIWEEKLY MONTHLY
BUZZER ENABLE DISABLE
✎ FORCE BOOST CHARGE OK?
CLR BAT TEST RESULT
BUZZER & LED TEST

5

6 Clear Battery Test Result

Press "←" to execute "CLR BAT TEST RESULT". This will clear all battery test results in log.

Note: Clearing event logs may invalidate warranty claims. All warranty claims must be accompanied by supporting event log information.



UNIT: #1.1
LOAD UNPROTECTED 2008-10-02
ON AUTO BYPASS 11:59:59

CONTROL & TEST
BAT AUTO TEST CFF DAILY WEEKLY
BIWEEKLY MONTHLY
BUZZER ENABLE DISABLE
✎ CLR BAT TEST RESULT OK?
BUZZER & LED TEST

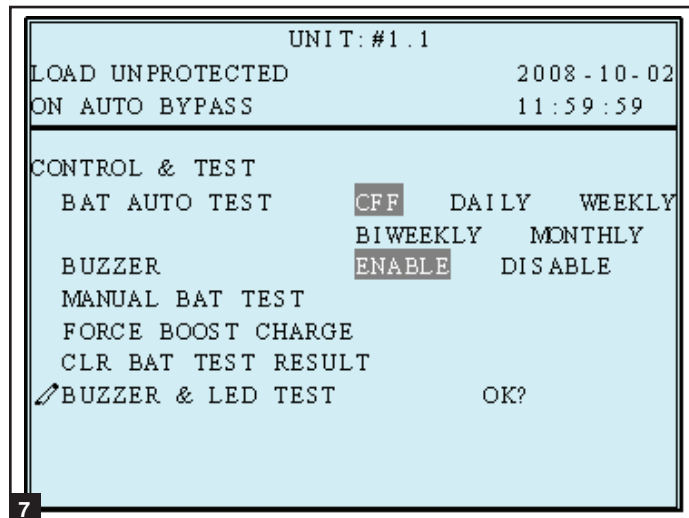
6

10 – Display and Configuration (continued)

10-5-6 Control & Test Setup (continued)

- 7 Select “BUZZER AND LED TEST” to initiate test of the control panel LEDs and audible alarm. You must enter the administrator password to confirm the operation.

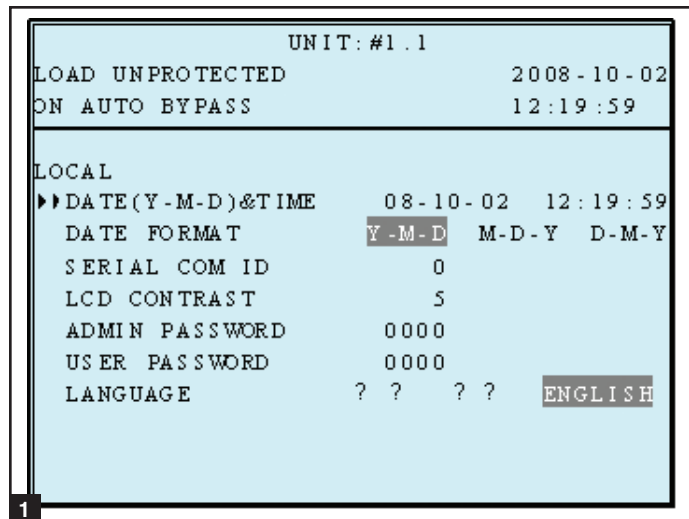
Press “ESC” to return to the “UPS SETUP” menu.



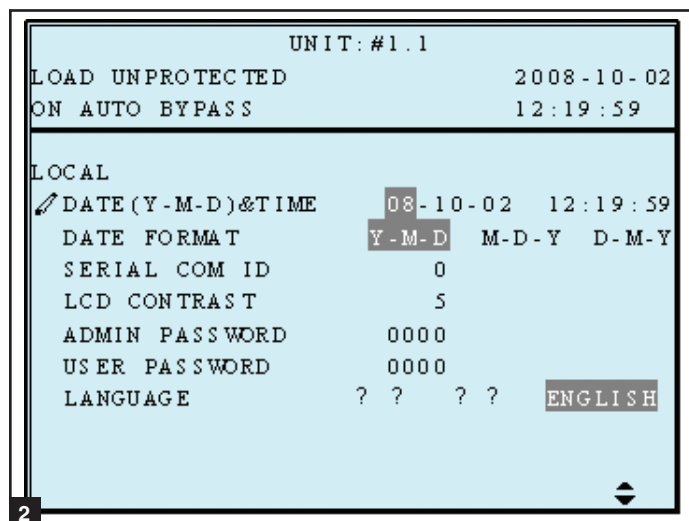
10-5-7 Local Setup

Use “▲” or “▼” to select “LOCAL SETUP”, then press “↵” to confirm.

- 1 Use “▲” or “▼” to select the desired item, then press “↵” to confirm.



- 2 From the “DATE/TIME CHANGE” screen, use the scroll buttons (▲,▼) to select the desired settings and press the enter button (↵) to confirm the settings. *Note: Changing this setting does not require an administrator login – a user login is sufficient.*

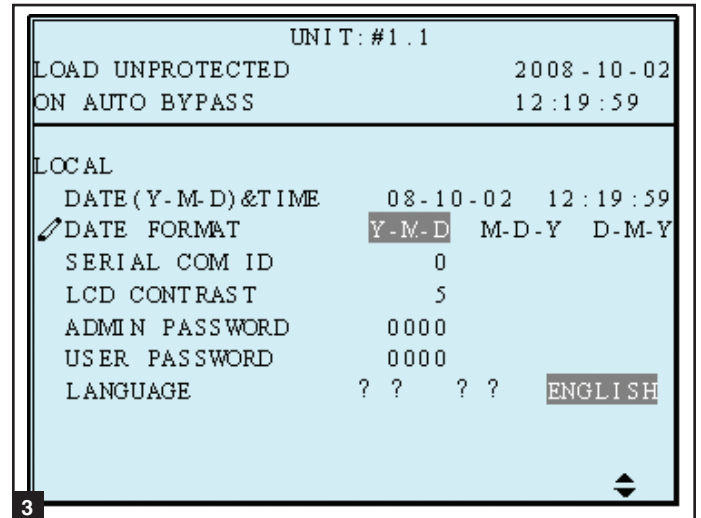


10-5-7 Local Setup (continued)

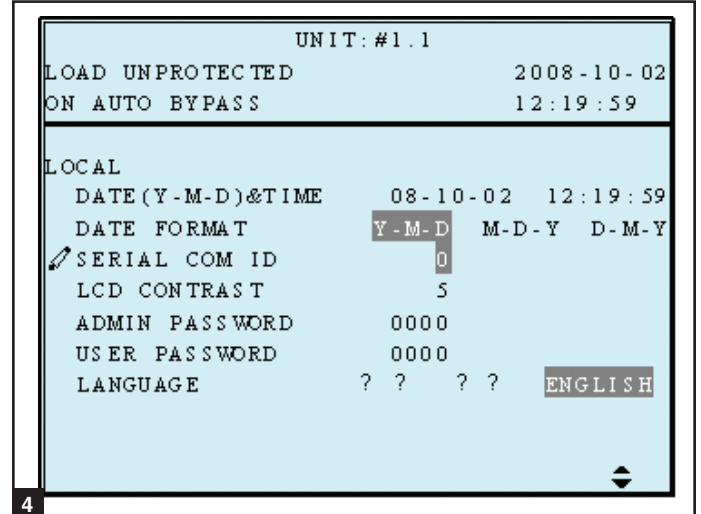
3 Date Format

Use “▲” or “▼” to change the date format, then press “←” to confirm.

(This item is user accessible!)



- 4 From the “SERIAL COM ID” screen, use the scroll buttons (▲, ▼) to select the desired serial port ID and press the enter button (←) to confirm the setting. *Note: This setting does not apply to standard RS-232 connections. It only applies for RS-485/RS-422 communications.*



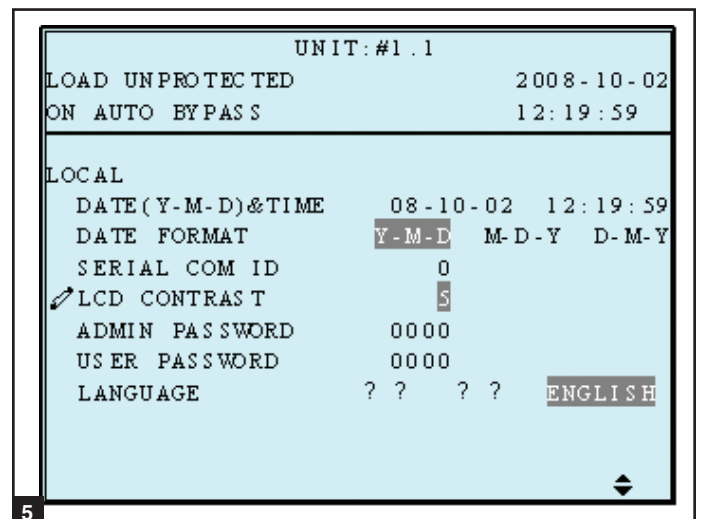
For standard RS232 connection, this ID is not used. If using the RS485/RS422 converter of other brands to connect to RS232 port, the ID can be set to 00, 01.....99.

5 LCD Contrast

Use “▲” or “▼” to set the contrast of LCD screen, then press “←” to confirm. Changes the contrast ratio of the LCD.

(This item is user accessible!)

1 is the lowest and 5 is the highest level.

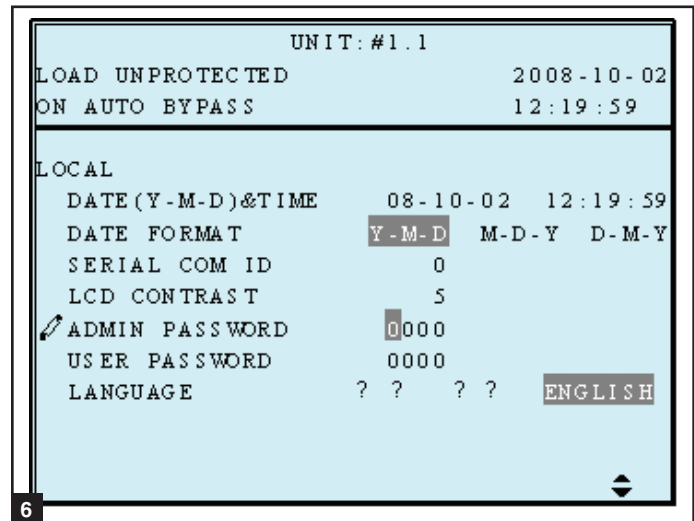


10 – Display and Configuration (continued)

10-5-7 Local Setup (continued)

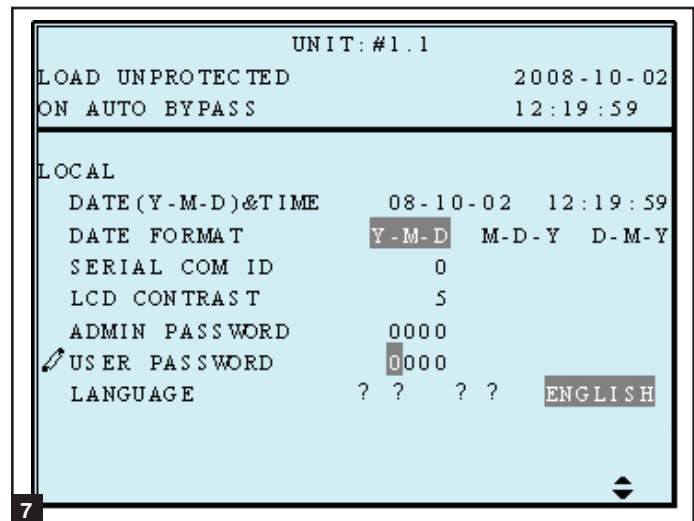
6 Administrator Password

From the “PASSWORD CHANGE” screen, use the scroll buttons (▲,▼) and the enter button (↵) to select the desired menu choice. Use the scroll buttons (▲,▼) to select the desired settings and press the enter button (↵) to confirm the settings. *Note: The administrator password should be used by qualified service personnel only.*



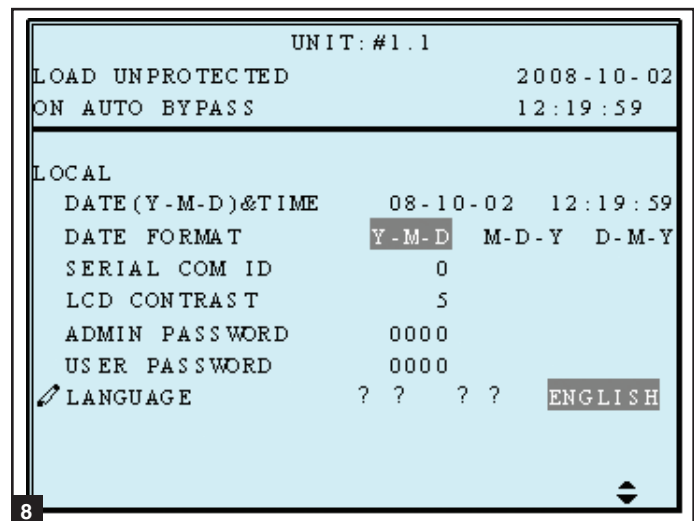
7 User Password

The password consists of 4 digits. From the “PASSWORD CHANGE” screen, use the scroll buttons (▲,▼) and the enter button (↵) to select the desired menu choice. Use the scroll buttons (▲,▼) to select the desired settings and press the enter button (↵) to confirm the settings.



8 Language

Use “▲” or “▼” to select the language of LCD screen, then press “↵” to confirm. Select from a variety of languages to display on the LCD.



Press “ESC” to return to the “UPS SETUP” menu.

10

10-6 Maintenance

Use “▲” or “▼” to select “MAINTENANCE” in the main menu, then press “←” to confirm.

The first item is the series number of the UPS unit.

- 1 Use “▲” or “▼” to select the desired item, then press “←” to confirm.

```

UNIT: #1.1
LOAD UNPROTECTED          2008-10-02
ON AUTO BYPASS            11:59:59
-----
MAINTENANCE
S / N                      E1E08200013W0
▶ FW VERSION
STATISTICS
EVENT LOG
ADVANCED
    
```

- 2 **Firmware Version**

Use “▲” or “▼” to select the F/W version item, then press “←” to confirm.

(The display will show the firmware version of the system and each power module.)

```

UNIT: #1.1
LOAD UNPROTECTED          2008-10-02
ON AUTO BYPASS            11:59:59
-----
SYSTEM      TRIPPNLR 0 0
PM          PFC          INV
#1 H101010101110001    H101010201120002
#2 H101010101110001    H101010201120002
#3 H101010101110001    H101010201120002
#4 H101010101110001    H101010201120002
    
```

- 3 **Statistics**

Use “▲” or “▼” to read the statistics data, then press “←” to confirm.

(The display will show the “counts on battery”, “counts on bypass” and “total operation time”.)

```

UNIT: #1.1
LOAD UNPROTECTED          2008-10-02
ON AUTO BYPASS            11:59:59
-----
ON BAT COUNTS              10
ON BYPASS COUNTS           123
OPERATION TIME(Y-D-H-M)    00-003-04-59
    
```

10-6 Maintenance (continued)

4 Event Log

Use “▲” or “▼” to read the event log, then press “←” to confirm.

```
UNIT: #1.1
LOAD UNPROTECTED          2008-10-02
ON AUTO BYPASS            11:59:59

<001> 08-10-02 08:10:46
  Bypass Freq Abnormal
<002> 08-10-02 08:10:58
  Mains Input Voltage Abnormal
<003> 08-10-02 08:10:58
  Mains Input Freq Abnormal
<004> 08-10-02 08:10:59
  Output Breaker Off
<005> 08-10-02 08:10:59
  On Bypass
```

5 Advance

Use “▲” or “▼” to select the “ADVANCED” item, then press “←” to confirm.

The “ADVANCED” item includes “clear statistics”, “clear event log” “firmware upgrade” and “other status monitor for service”.

(This item is only accessible for administrator! The Password will be required to confirm again.)

Warning: Clearing or erasing the event log may invalidate warranty claims. All warranty claims must be accompanied by supporting event log information.

```
UNIT: #1.1
LOAD UNPROTECTED          2008-10-02
ON AUTO BYPASS            11:59:59

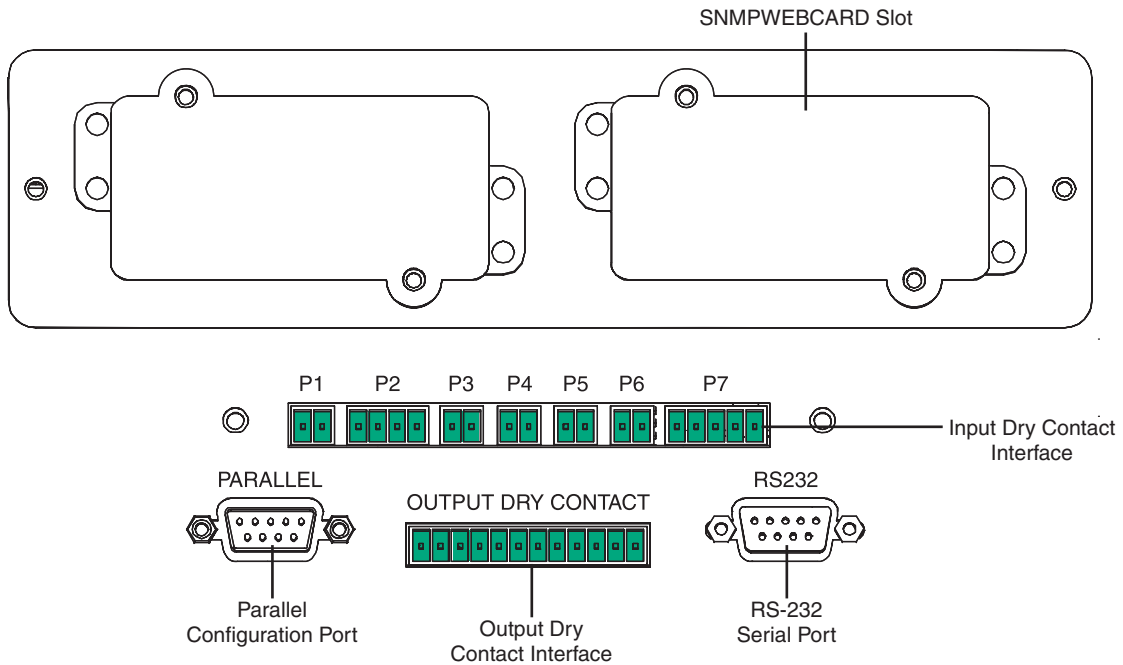
ADVANCED
▶▶CLR STATISTICS
  CLR EVENT LOG
  FW UPGRADE
  OTHERS
```

Press “ESC” to return to the “UPS SETUP” menu.

11 – Communications

Note: The communications connections described in this section are optional. The UPS system will function properly without these connections.

11-1 Communications Interfaces



Note: The following connectors are provided with the UPS: P1, P2 and a 12 position strip for the output dry contacts. P3 and P7 are only shipped with the optional BP480V26B or BP480V40C matching battery cabinet.

11-2 SNMPWEBCARD Slot

Remove the cover panel to install a Tripp Lite SNMPWEBCARD accessory. The SNMPWEBCARD accessory provides an Ethernet interface for the UPS system and enables remote monitoring and control via SNMP, Web browser or telnet. Visit www.tripplite.com for more information about ordering the SNMPWEBCARD accessory.

11-3 Input Dry Contact Interface

The input dry contact interface receives contact-closure signals that allow the UPS system to receive commands and monitor external battery conditions:

P1—Remote Emergency Power Off (EPO) (See [Section 11-4](#).)

P2—Auxiliary Dry Contact Inputs (2 sets) (Input Contact A: Pin 1,2 Rated for 12V DC minimum 0.1A (nominal); Input Contact B: Pin 3,4 Rated for 12V DC minimum 0.1A (nominal). See [Section 11-5](#).)

P3—External Battery Cabinet Temperature 1 (Temperature Sensor Inputs from external battery cabinets. See [Section 11-6](#).)

P4—External Battery Cabinet Temperature 2 (Temperature Sensor Inputs from external battery cabinets. See [Section 11-6](#).)

P5—External Battery Cabinet Temperature 3 (Temperature Sensor Inputs from external battery cabinets. See [Section 11-6](#).)

P6—External Battery Cabinet Temperature 4 (Temperature Sensor Inputs from external battery cabinets. See [Section 11-6](#).)

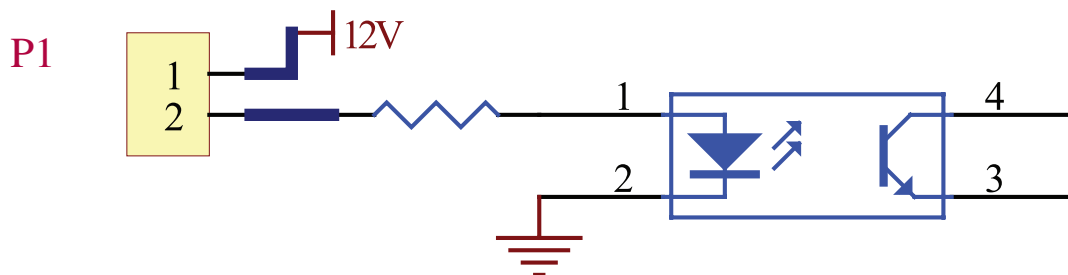
P7—External Battery Status (For use with battery status cable supplied with external battery cabinets-BP480V26B or BP480V40C.)

Note: Do not apply voltages to the REPO contacts or auxiliary dry contacts. Damage to the UPS may result. For the REPO, the switch must be latching in order to keep output power OFF from the UPS output.

11 – Communications (continued)

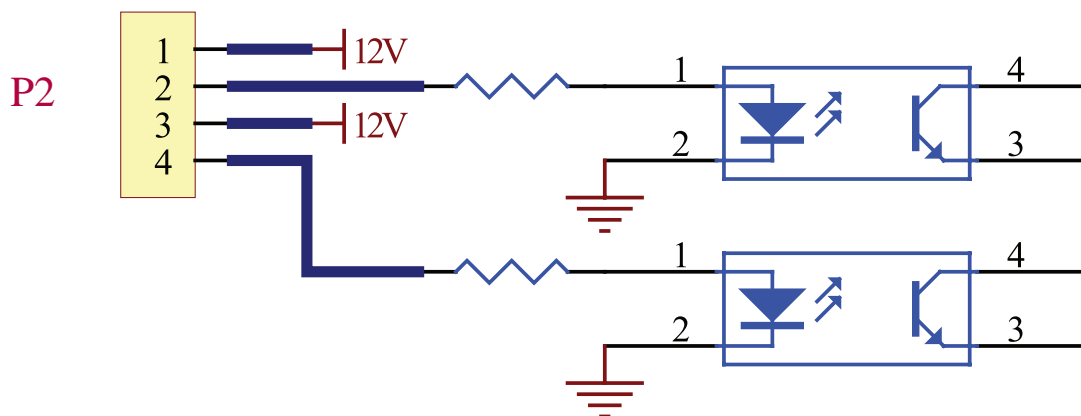
11-4 Remote Emergency Power Off (EPO) Circuit Diagram

The Remote Emergency Power Off (EPO) input connection (P1) allows you to connect the UPS system to your facility's EPO circuit. Connecting the UPS system to the EPO circuit enables remote emergency shutdown of the UPS system's output. Connect EPO input to a user-supplied remote switch, following the circuit diagram below. This contact is normally open. User supplied REPO button must be latching type and in a normally closed position. When opened, the UPS goes to bypass. The inverter must then be restarted by pressing the ON button to return to on-line mode. Contact rated for 12V DC minimum, 0.1A (nominal).



11-5 Auxiliary Dry Contact Input Circuit Diagram

The auxiliary dry contact input connections (P2) allow the UPS system to receive external signals. These contacts are normally open. External contacts rated for 12V DC minimum, 0.1A (nominal).



11-6 External Battery Cabinet Temperature Inputs

The external battery cabinet temperature input connections (P3, P4, P5, P6) allow the UPS system to receive signals from an optional accessory that monitors the temperature of external battery cabinets. Visit www.tripplite.com/support for more information.

11-7 External Battery Status Input

The external battery cabinet status input connection (P7) allows the UPS system to receive external battery cabinet status signals through an optional cable. Pin 1 = +12V; Pin 2 = detection cable connected; Pin 3 = battery cabinet breaker status (signal active= breaker on; signal inactive = off); Pin 4 = reserved; Pin 5 = reference voltage. Visit www.tripplite.com/support for more information.

11-8 Output Dry Contact Interface Detail

The UPS system has six dry contact output connections. These contacts can be normally open or normally closed.

Default Messages

Contact	Message	Description
Pin 1-2	Load on inverter	The UPS system is working normally.
Pin 3-4	Load on auto bypass	The UPS system is in bypass mode.
Pin 5-6	Mains input failure with load on inverter	Utility power is absent (blackout) or abnormal. The UPS system is in battery backup mode.
Pin 7-8	Battery low	The UPS system is in battery backup mode, and battery voltage is lower than 220V.
Pin 9-10	Bypass input abnormal	The bypass input is abnormal (frequency / phase).
Pin 11-12	Battery test failure	The battery voltage is lower than the reference value.

Optional Messages

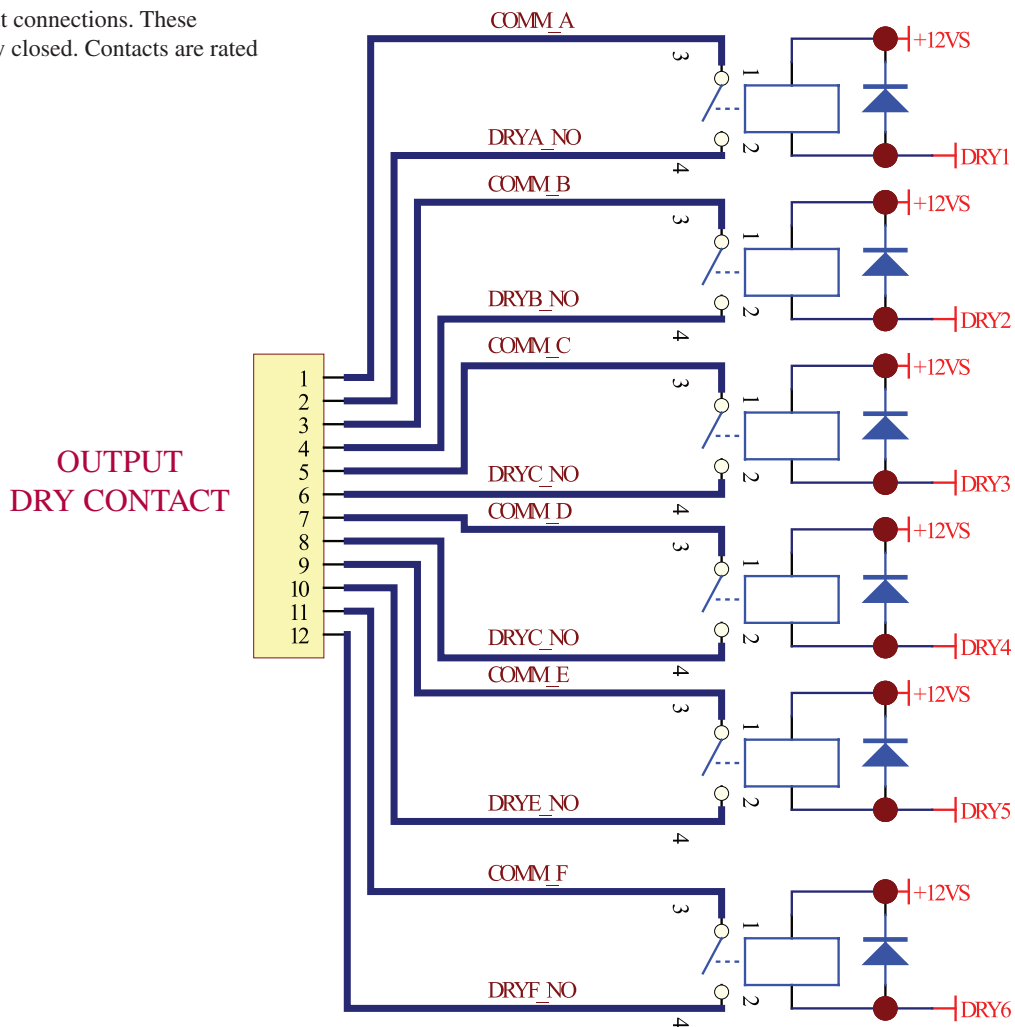
Message	Description
Internal communication failure	Communication with one of the internal components is not normal.
External parallel communication failure	In a parallel redundancy installation, the parallel communication is not normal.
Output overload warning/shutdown	The load exceeds the capacity of the UPS system.
Power module fault shutdown	The UPS system has shut down due to an internal power module failure.
Power module warning	An internal power module has an error, but the UPS system can still function normally.
EPO activated	The UPS system's output is disabled by the emergency power off (EPO) function.
Load on manual bypass	The UPS system is in manual bypass mode.
Battery cabinet over temperature warning/shutdown	The temperature of the external battery cabinet is too high.
Output voltage abnormal	The UPS system's output voltage is too high or too low.
Battery need replace	According to the data in the "BAT DATE SETTING", the UPS system is overdue for battery replacement. (See Section 10-5-3 for more information.)
Bypass over temperature warning/shutdown	The temperature of the bypass "static transfer switch" is too high.
Battery ground fault	The battery has a grounding error.
Bypass static switch fault	The bypass "static transfer switch" is abnormal.

Note: If you require optional messages to be enabled, contact Tripp Lite.

11 – Communications (continued)

11-9 Output Dry Contact Circuit Diagram

The UPS system has six dry contact output connections. These contacts can be normally open or normally closed. Contacts are rated for 250V AC/28V DC; 8A.



11-10 RS-232 Serial Port Circuit Diagram

The RS-232 DB9 serial port connects the UPS system to a workstation or server (cable included). By communicating with the UPS system through this port, Tripp Lite's PowerAlert UPS management software (included) can monitor and control the UPS system. PowerAlert also serves as an SNMP proxy allowing the UPS system to appear as an SNMP-manageable device on the network.

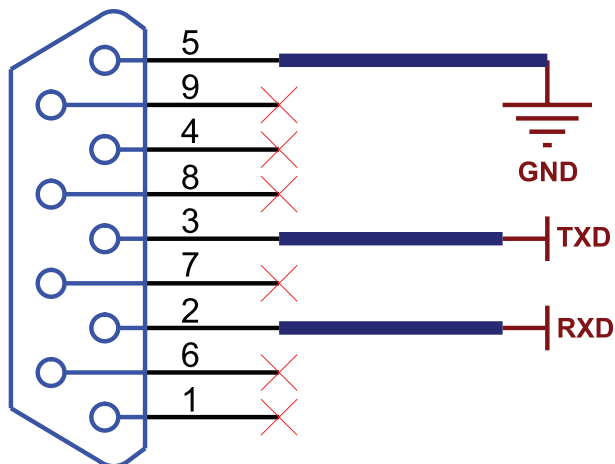
RS-232 signals and operations include: load level, battery status, battery level, operation mode, AC input voltage, AC output voltage, AC input frequency, internal temperature, set shut-down delay time, enable/disable alarm and remote shutdown.

Hardware

Baud Rate: 2400 BPS
Data Length: 8 bits
Stop Bit: 1 bit
Parity: NONE

Pin Assignment

Pin 2: TXD (Transmit Data)
Pin 3: RXD (Receive Data)
Pin 5: GND (Signal Ground)



11-11 Parallel Configuration Port

The parallel configuration port allows the UPS system to be connected to another UPS system of identical type and capacity for use in a parallel (1+1) configuration for increased capacity or increased fault-tolerance. **Warning: Use only the parallel configuration cable that is included with the UPS system. Attempting to use an incompatible cable may damage the UPS systems and create a serious risk of personal injury and property damage.**

12 – Specifications

12-1 UPS System Technical Specifications

Optional Messages

		Model (Capacity)	SU20KX (20kVA/16kW)	SU40KX (40kVA/32kW)	SU60KX (60kVA/48kW)	SU80KX (80kVA/64kW)	
Input	Input Voltage	220/380V, 230/400V or 240/415V AC, 3Ø, 4-wire + ground					
	Voltage Regulation	-25% / +20%					
	Harmonic Distortion	< 4% (Full Load)					
	PFC (Full Load)	> 0.99					
	Frequency	50 / 60 Hz					
	Frequency Tolerance	45 ~ 65 Hz					
Output	Output Voltage	220/380V, 230/400V or 240/415V AC, 3Ø, 4-wire + ground					
	Output Frequency	50 / 60 Hz					
	Total Harmonic (Linear Load)	≤3%					
	Voltage Regulation	Static	±1%				
	Frequency Regulation	Dynamic	±7% (10% ~ 90% Linear Load)				
		Interior Oscillator	±0.05 Hz				
		Synchronized	±5%				
Overload	≤125% : 10 minutes; ≤150% : 1 minute						
Audible Warning	Battery Backup	Intermittent					
	UPS Abnormal	Continuous					
Display	LED	UPS Status: Normal • Bypass • Backup • Fault					
	LCD	Input/Output • Bypass • Inverter • Frequency • Loading • Battery Voltage UPS abnormal messages with intelligent self-diagnosis.					
Interface	Standard	RS-232, Dry Contact					
	Optional	SNMPWEBCARD					
Others	Parallel Redundancy	Yes (1+1 for 2 UPS systems of the same type and capacity only.)					
	EPO	Standard (Local and Remote)					
	SRAM Event Log	500 Records					
	Parameter Configuration	Yes					
	Hot Standby Installation	Optional					
	Battery Temperature Compensation	Optional					
	Battery Cold-Start	Standard					
Overall	Efficiency	Normal	94%				
		ECO	97%				
	Transfer Time	0 ms					
	Temperature	32° F ~ 104° F (0° C ~ 40° C)					
	Humidity (non-condensing)	90%					
	Noise (1 m)	65 dBA	68 dBA	70 dBA	70 dBA		
	Dimensions (Power Module)	Width	520 mm (20.47 in)				
		Depth	850 mm (33.46 in)				
		Height	1165 mm (45.86 in)				
	Weight (Power Module)	267 kg (589 lb*)	412 kg (908 lb*)	210 kg (463 lb)	244 kg (538 lb)		

* With internal batteries.

12-2 UPS System Floor Loading Table

Model	SU20KX	SU40KX	SU60KX	SU80KX
Weight	267 kg	412 kg	210 kg	244 kg
Floor Loading	600 kg/m ²	927 kg/m ²	475 kg/m ²	552 kg/m ²

12-3 Battery Pack Floor Loading Table

Model	BP480V26B (40 12V batteries; 26AH each)	BP480V40C (40 12V batteries; 40AH each)
Weight	470 kg (1036 lb)	700 kg (1543 lb)
Floor Loading	1064 kg/m ²	1575 kg/m ²

13 – Storage and Service

Storage

The UPS system must be stored in a clean, secure environment with a temperature less than 40° C (104° F) and a relative humidity less than 90% (non-condensing). Store the UPS system in its original shipping container if possible. If installation occurs more than 6 months after you receive the UPS system, recharge the batteries for at least 24 hours prior to use. Do not rely on the UPS system to provide backup power to connected equipment until the batteries are fully charged. *Note: If the UPS system remains off for an extended period of time, it should be turned on periodically to allow the batteries to recharge. The UPS system should be turned on and the batteries should be recharged at least one uninterrupted 24-hour period every 3 months. Failure to recharge the batteries periodically may cause irreversible battery damage.*

Service

Your Tripp Lite product is covered by the warranty described in this manual. A variety of Extended Warranty and On-Site Service Programs are also available from Tripp Lite. For more information on service, visit www.tripplite.com/support. Before returning your product for service, follow these steps:

1. Review the installation and operation procedures in this manual to insure that the service problem does not originate from a misreading of the instructions.
2. If the problem continues, do not contact or return the product to the dealer. Instead, visit www.tripplite.com/support.
3. If the problem requires service, visit www.tripplite.com/support and click the Product Returns link. From here you can request a Returned Material Authorization (RMA) number, which is required for service. This simple on-line form will ask for your unit's model and serial numbers, along with other general purchaser information. The RMA number, along with shipping instructions will be emailed to you. Any damages (direct, indirect, special or consequential) to the product incurred during shipment to Tripp Lite or an authorized Tripp Lite service center is not covered under warranty. Products shipped to Tripp Lite or an authorized Tripp Lite service center must have transportation charges prepaid. Mark the RMA number on the outside of the package. If the product is within its warranty period, enclose a copy of your sales receipt. Return the product for service using an insured carrier to the address given to you when you request the RMA.

14 – Warranty

Limited Warranty

Seller warrants this product, if used in accordance with all applicable instructions, to be free from original defects in material and workmanship for a period of 2 years (except U.S., Canada and Mexico: 1 year) from the date of initial purchase. If the product should prove defective in material or workmanship within that period, Seller will repair or replace the product, in its sole discretion. Service under this Warranty includes parts and Tripp Lite service center labor. On-site service plans are available from Tripp Lite through authorized service partners (in most areas). Visit www.tripplite.com for details. International customers should contact Tripp Lite support at intlservice@tripplite.com.

THIS WARRANTY DOES NOT APPLY TO NORMAL WEAR OR TO DAMAGE RESULTING FROM ACCIDENT, MISUSE, ABUSE OR NEGLIGENCE. SELLER MAKES NO EXPRESS WARRANTIES OTHER THAN THE WARRANTY EXPRESSLY SET FORTH HEREIN. EXCEPT TO THE EXTENT PROHIBITED BY APPLICABLE LAW, ALL IMPLIED WARRANTIES, INCLUDING ALL WARRANTIES OF MERCHANTABILITY OR FITNESS, ARE LIMITED IN DURATION TO THE WARRANTY PERIOD SET FORTH ABOVE; AND THIS WARRANTY EXPRESSLY EXCLUDES ALL INCIDENTAL AND CONSEQUENTIAL DAMAGES. (Some states do not allow limitations on how long an implied warranty lasts, and some states do not allow the exclusion or limitation of incidental or consequential damages, so the above limitations or exclusions may not apply to you. This Warranty gives you specific legal rights, and you may have other rights which vary from jurisdiction to jurisdiction).

Tripp Lite; 1111 W. 35th Street; Chicago IL 60609; USA

WARNING: The individual user should take care to determine prior to use whether this device is suitable, adequate or safe for the use intended. Since individual applications are subject to great variation, the manufacturer makes no representation or warranty as to the suitability or fitness of these devices for any specific application.

Regulatory Compliance Identification Numbers

For the purpose of regulatory compliance certifications and identification, your Tripp Lite product has been assigned a unique series number. The series number can be found on the product nameplate label, along with all required approval markings and information. When requesting compliance information for this product, always refer to the series number. The series number should not be confused with the marketing name or model number of the product.



WEEE Compliance Information for Tripp Lite Customers and Recyclers (European Union)

Under the Waste Electrical and Electronic Equipment (WEEE) Directive and implementing regulations, when customers buy new electrical and electronic equipment from Tripp Lite they are entitled to:

- Send old equipment for recycling on a one-for-one, like-for-like basis (this varies depending on the country)
- Send the new equipment back for recycling when this ultimately becomes waste

Tripp Lite has a policy of continuous improvement. Specifications are subject to change without notice.

Note on Labeling

These symbols are used on the label:

V~	AC Voltage
V==	DC Voltage
Ø	Phase
⊕	Ground



1111 W. 35th Street, Chicago, IL 60609 USA • www.tripplite.com/support

Manual del Propietario

Sistemas UPS SmartOnline™ Trifásicos

Modelos: SU20KX, SU40KX, SU60KX, SU80KX
Entrada/Salida: 220/380V, 230/400V o 240/415V CA, 3φ, 4 hilos + PE

No es apropiado para aplicaciones móviles.



1111 W. 35th Street, Chicago, IL 60609 USA • www.tripplite.com

Derechos de Autor © 2013 Tripp Lite. Todas las marcas registradas son totalmente propiedad de sus respectivos dueños.

Contenido

1	Introducción	63
2	Instrucciones de Seguridad Importantes	64
3	Características y Funciones del Panel de Control	66
4	Características y Funciones del Panel Frontal y Trasero	67
5	Instalación del Gabinete	69
5-1	Preparación	69
5-2	Desempaque	69
5-3	Colocación	70
6	Conexión de la Batería Interna (Únicamente modelos SU20KX y SU40KX)	71
6-1	Diagramas de Cableado de la Batería Interna	71
6-2	Procedimiento de Conexión de la Batería Interna	73
7	Cableado	76
7-1	Advertencias Sobre el Cableado	76
7-2	Preparación del Cableado	76
7-3	Diagrama del Bloque de Terminal del Sistema UPS	77
7-4	Diagramas del Cableado del Gabinete de Baterías Externas	77
7-5	Información Eléctrica y Cables	78
7-6	Cableado del Gabinete de Baterías Externas	79
7-7	Cableado de Entrada/Salida CA (Un solo UPS)	80
7-8	Cableado de Entrada/Salida CA (UPS en Paralelo –Una Entrada)	81
7-9	Cableado de Entrada/Salida CA (UPS en Paralelo – Entrada Dual)	81
8	Modos de Operación	82
8-1	Modo En Línea (Normal) (Un solo UPS)	82
8-2	Modo en Respaldo (Un solo UPS)	82
8-3	Modo en Derivación Automática (Un solo UPS)	82
8-4	Modo en Derivación Manual (Un solo UPS)	82
8-5	Modo En Línea (UPS en Paralelo)	83
8-6	Modo en Respaldo (UPS en Paralelo)	83
8-7	Modo en Derivación Automática (UPS en Paralelo)	83
8-8	Modo en Derivación Manual (UPS en Paralelo)	84
8-9	Modo Hot Standby (UPS en Paralelo)	84
9	Arranque, Apagado y Derivación	85
9-1	Diagramas del Panel de Control e Interruptor de Circuitos	85
9-2	Lista de Control Preliminar (Un solo UPS)	85
9-3	Procedimiento de Arranque Normal (Un solo UPS)	85
9-4	Procedimiento de Arranque con la Batería (Un solo UPS)	86
9-5	Procedimiento de Derivación Manual (Un solo UPS)	87
9-6	Procedimiento de Apagado (Un solo UPS)	87
9-7	Revisión Preliminar (UPS en Paralelo)	88
9-8	Procedimiento de Arranque (UPS en Paralelo)	89
9-9	Procedimiento de Apagado (UPS en Paralelo)	90
9-10	Procedimiento de Derivación Manual (UPS en Paralelo)	91
9-11	Cambiando de Derivación Manual a Normal (UPS en Paralelo)	92

10	Pantalla y Configuración	93
10-1	Diagrama del Panel de Control	93
10-2	Jerarquía de Despliegue	93
10-3	Pantalla Predeterminada	94
10-3-1	Pantalla de Estado	94
10-4	Menú Principal	97
10-5	Configuración del UPS	99
10-5-1	Configuración de Derivación	100
10-5-2	Configuración de Salida	101
10-5-3	Configuración de Batería	103
10-5-4	Configuración del Cargador	106
10-5-5	Configuración en Paralelo	107
10-5-6	Configuración de Control y Prueba	108
10-5-7	Configuración Local	110
10-6	Mantenimiento	113
11	Comunicaciones	115
11-1	Interfaces de Comunicaciones	115
11-2	Ranura SNMPWEBCARD	115
11-3	Interfaz de Entrada de Contacto Seco	115
11-4	Diagrama de Circuito de Apagado de Emergencia Remoto (EPO)	116
11-5	Diagrama de Circuito de Entrada Auxiliar de Contacto Seco	116
11-6	Entradas de Temperatura del Gabinete Baterías Externas	116
11-7	Entrada del Estado de la Batería Externa	116
11-8	Detalle de la Interfaz de Salida de Contacto Seco	117
11-9	Diagrama de Circuito de Salida de Contacto Seco	118
11-10	Diagrama de Circuito del Puerto Serial RS-232	118
11-11	Puerto de configuración en paralelo	118
12	Especificaciones	119
12-1	Especificaciones Técnicas del Sistema UPS	119
12-2	Tabla de Carga al Piso del Sistema UPS	119
12-3	Tabla de Carga al Piso del Módulo de Baterías	119
13	Almaceneaje y Servicio	120
14	Garantía	120
English		1
Français		121
Русский		181

Los Sistemas UPS SmartOnline Trifásicos de Tripp Lite (Modelos SU20KX, SU40KX, SU60KX y SU80KX) son ideales para respaldar y proteger centros de datos, telecomunicaciones (VoIP), redes, instalaciones industriales sistemas de seguridad y emergencias y mucho más.

Características Avanzadas:

- Doble conversión genuinamente en línea con tecnología en el inversor IGBT superior
- Corriente de entrada baja de Tasa de Distorsión Armónica (THD) permite la adecuación del tamaño del generador 1:1 para máxima eficiencia y ahorro en costos
- Redundancia Interna N+1 del módulo de potencia (SU40KX, SU60KX y SU80KX)
- Capacidad de redundancia paralela o “hot standby” (1+1) incorporada para capacidad incrementada o tolerancia a fallas
- Capacidad hasta 80kVA en un tamaño de base compacto; hasta 160kVA en configuración en paralelo
- Factor de potencia de alta entrada y alta eficiencia con baja pérdida termal y bajo ruido
- Diseño simplificado, fácil de reparar, larga vida, sistema de alta disponibilidad
- Energía Auxiliar redundante y circuitos de control
- Diseño de doble entrada con entrada para rectificador y derivación separadas
- Todos los modelos soportan gabinetes para baterías externas para tiempo de respaldo extendido
- Pantalla LCD de alta resolución simplifica la operación y entrega información operacional detallada incluyendo diagramas de bloque del sistema



2 – Instrucciones de Seguridad Importantes

CONSERVE ESTAS INSTRUCCIONES

Todas las secciones de este manual contiene instrucciones y advertencias que deberán ser seguidas durante la instalación y operación de los sistemas UPS descritos en este manual. Lea cuidadosamente todas las instrucciones antes de intentar mover, instalar u operar los Sistemas UPS descritos en este manual. El fallar en adherirse a estas instrucciones invalida la garantía y causa daños a la propiedad y/o lesiones personales.

Advertencias Sobre la Ubicación del UPS

- Instale el sistema UPS en un ambiente controlado al interior, lejos del exceso de humedad, temperaturas extremas, líquidos y gases inflamables, conductores contaminantes, polvo y luz solar directa.
- Instale el sistema UPS en un área nivelada, estructuralmente sólida.
- El sistema UPS es extremadamente pesado. Extremar las precauciones cuando mueva o levante la unidad.
- Opere el UPS únicamente a temperaturas en el interior entre 32° F y 104° F (0° C y 40° C). Para mejores resultados, mantenga la temperatura en el interior entre 62° F y 84° F (entre 17° C y 29° C).
- Deje un espacio adecuado alrededor de todos los lados del UPS para una ventilación apropiada. No Obstruya, cubra o inserte objetos en las aberturas de ventilación externa del gabinete.
- No coloque ningún objeto sobre la unidad, especialmente los que contengan líquidos.
- No monte la unidad con el panel delantero o trasero hacia abajo (en ningún ángulo). Montándolo de esta manera inhibirá seriamente el enfriamiento interno de la unidad, causando finalmente daño al equipo que no está cubierto por la garantía.
- No instale el UPS cerca de medios de almacenaje magnéticos ya que esto puede resultar en corrupción de la información. Mantenga todos los medios con información magnética grabada a una distancia mínima de 60 cm (24 pulgadas) del sistema UPS.
- No intente apilar el sistema UPS. Tratar de apilar el sistema UPS puede causar un daño permanente y crea el riesgo de una seria lesión personal.
- Las ruedas del sistema UPS están diseñadas únicamente ligeros ajustes dentro del área de instalación final, no están diseñadas para mover al UPS sobre distancias considerables
- Las ruedas no están diseñadas para brindar un soporte a largo plazo al sistema UPS después de la instalación final. Es necesario instalarlo con los soportes para montaje. Use los niveladores/puntales para proporcionar un adecuado soporte a largo plazo.
- Cuando mueva el sistema UPS, empujelo del frente o de atrás, no de los lados.
- No intente desempacar o mover el sistema UPS sin ayuda.

Advertencias para Conectar el UPS

- **La fuente de alimentación para el sistema UPS debe ser de régimen trifásico de acuerdo con la placa de identificación del equipo. También debe estar puesta a tierra adecuadamente y conectada de acuerdo con todas las normas, códigos y regulaciones sobre el cableado eléctrico aplicables en el ámbito nacional y local.**
- El sistema UPS contiene alto voltaje peligroso que potencialmente pueden causar lesiones personales o incluso la muerte por descargas eléctricas.
- El sistema UPS tiene su propia fuente de energía (batería - interna y/o externa). Las terminales de salida pueden estar vivas aun cuando el UPS no esté conectado a una fuente de suministro de CA.
- Si el sistema UPS recibe energía de un generador CA operado por un motor, con frecuencia regulada con calidad para ordenadores.
- El uso de este equipo en aplicaciones de soporte de vida en donde la falla de este equipo pueda hacer suponer que causará la falla del equipo de soporte de vida o significativamente afectar su seguridad o efectividad no es recomendado. No use este equipo en presencia de una mezcla anestésica inflamable con aire, oxígeno u óxido nítrico.
- El sistema UPS está diseñado para alimentar cargas de ordenadores modernos y sus dispositivos periféricos asociados. No use el sistema UPS para alimentar cargas inductivas puras o capacitivas.
- El cableado de entrada y salida debe ser llevado a cabo únicamente por electricistas entrenados y calificados.
- Debido a la alta filtración de corriente, una adecuada conexión a tierra es esencial antes de conectar el suministro de corriente CA.
- Aísle el sistema UPS antes de trabajar en el circuito. Un dispositivo de desconexión de fácil acceso debe ser incorporado en el cableado permanente. El dispositivo de desconexión debe desconectar todos los conductores de línea simultáneamente cuando se abre.

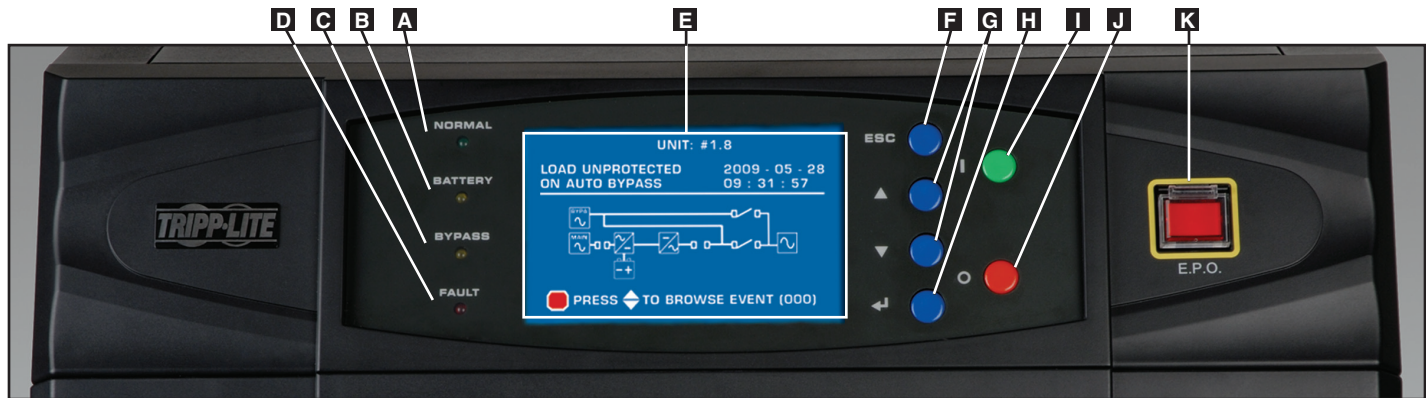
Advertencias Sobre la Batería

- El sistema UPS no requiere mantenimiento de rutina. No hay partes útiles para el usuario en el interior. Por la razón que sea únicamente personal de servicio calificado debe abrir los paneles de acceso.
- Las baterías presentan un riesgo de descarga eléctrica y quemaduras derivadas del alta corriente de un corto circuito, las baterías deben ser reemplazadas por personal de servicio capacitado que observe las debidas precauciones. Apague el sistema UPS antes de conectar o desconectar las baterías internas. Use herramientas con asas/mangos aislantes. No abra las baterías. No puentee o haga corto circuito con las terminales de la batería con ningún objeto.
- Reemplace las baterías por baterías equivalentes disponibles en Tripp Lite. No opere el sistema UPS sin baterías.
- Las baterías son reciclables. Refiérase a las regulaciones locales para los requerimientos de disposición y destrucción de las baterías.
- No arroje las baterías al fuego, mutile las baterías o abra las tapas de la batería.
- Los fusibles de la batería deberán ser reemplazados únicamente por personal calificado. Los fusible quemados deberán ser reemplazados únicamente por fusibles del mismo número y tipo.
- Existen voltajes potencialmente letales dentro de esta unidad en tanto la suministro de la batería este conectado. El servicio y reparación deberá ser hecho únicamente por personal capacitado, con el sistema UPS apagado o puesto en modo de derivación. Desconecte las baterías internas (si están presentes) antes de efectuar cualquier servicio apagando el interruptor de circuitos de las baterías internas y quitando el/los fusible(s) de la batería. Desconecte las baterías externas (si están presentes) apagando el interruptor de circuitos del gabinete de baterías externas y desconectando los cables de las baterías externas del sistema UPS.
- No conecte o desconecte las baterías cuando el sistema UPS esté operando con el suministro de las bacterias o cuando la unidad no esté en modo de derivación.
- No quite las fundas protectoras de plástico que cubren las baterías internas.
- Las baterías internas y externas deben ser reemplazadas por baterías equivalentes disponibles de Tripp Lite.
- Antes de conectar un gabinete de baterías externas al sistema UPS, lea la documentación del gabinete de baterías externas. Use únicamente gabinetes para baterías externas que hayan sido aprobadas por Tripp Lite.
- Si el sistema UPS permanece apagado por periodos extendidos, deberá encenderse periódicamente para permitir que las baterías se recarguen. El sistema UPS deberá encenderse y recargarse de forma ininterrumpida por un período de 24 horas cada 3 meses. Fallar en recargar las baterías periódicamente puede causar daños irreversibles a las baterías.

Advertencias en la Instalación del Cableado Eléctrico

- Vea la [Sección 7-1](#) para Advertencias sobre la instalación del cableado eléctrico

3 – Características y Funciones del Panel de Control Panel



- A LED “NORMAL” [En Línea]:** Esta luz verde se ilumina para indicar que el sistema UPS está en modo en línea (Normal). La fuente primaria de suministro CA está presente y dentro de los parámetros de operación estándar
- B LED “BATTERY” [Batería]:** Esta luz ámbar se ilumina cuando el sistema UPS está en modo de respaldo, descargando las baterías para suministrar energía al equipo conectado. También sonará una alarma.
- C LED “BYPASS” [Derivación]:** Esta luz ámbar se ilumina cuando el sistema UPS está en modo de derivación (derivación automática o derivación manual). No habrá respaldo de la batería disponible al equipo conectado mientras el sistema UPS esté en modo de derivación, pero las cargas del equipo conectado será soportado la fuente de energía de derivación (reserva).
- D LED “FAULT” [Falla]:** Esta luz roja se ilumina cuando hay una falla del sistema UPS o de la corriente de entrada. La información de diagnóstico disponible se mostrará en la pantalla LCD.
- E Pantalla LCD de Estado:** Esta pantalla LCD de Estado iluminada muestra texto y gráficos para indicar un amplio rango de condiciones de operación e información de diagnóstico del sistema UPS. *Nota: La luz de la pantalla LCD se apagará 10 minutos después de estar inactiva. Encienda la luz momentáneamente presionando el botón ON [Encendido] o cualquiera de los botones de recorrido.*
- F Botón “ESC” (Escape):** Presione este botón para regresar a la página o menú anterior.
- G Botones de Recorrido (▲ y ▼):** Presione estos botones para mover el cursor arriba y abajo y navegar los menús y pantallas. Estos botones también sirven para introducir datos en varias pantalla.
- H Botón Entrar (↵):** Presione este botón para seleccionar una partida del menú o confirmar un cambio de parámetros.
- I Botón de Encendido:** Presione este botón y manténgalo así por 3 segundos para encender el inversor del Sistema UPS.
- J Botón de Apagado:** Presione este botón y manténgalo así por 3 segundos para apagar el inversor del Sistema UPS. Si el sistema UPS está en modo en línea (normal), cambiará a modo de derivación automática. *Nota: al desconectar (OFF) el inversor la fase de conversión del UPS no se apaga y por lo tanto, la batería conectada todavía sigue cargando si se necesita.*

Nota: después de desconectar (OFF) el inversor, si el disyuntor del circuito de la batería o el disyuntor del circuito de la alimentación CA principales están abiertos y permanecen abiertos durante un período prolongado de tiempo, las baterías se deben recargar periódicamente. Como mínimo, las baterías se deben cargar durante un período ininterrumpido de 24 horas cada 3 meses para mantener su vida útil al máximo. Si las baterías no se recargan pueden sufrir daños irreparables.

- K Botón “EPO” (Apagado de Emergencia):** Presione este botón para apagar la salida del sistema UPS y también deshabilitar la salida de derivación.

Si el sistema UPS está en modo de respaldo cuando se activa el botón EPO:

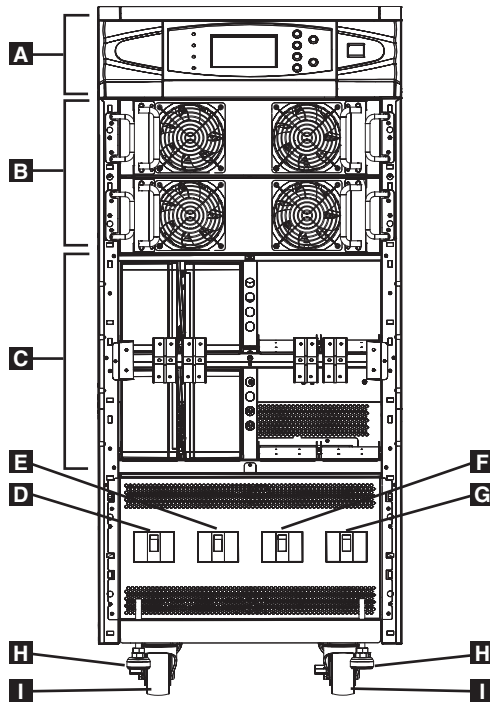
- La salida principal y la salida de derivación se apagan, la alarma suena, los ventiladores se apagan después de un minuto y los circuitos de control permanecen activos.
- Soltando el botón EPO (presionándolo nuevamente) apaga el sistema UPS completamente, incluyendo la alarma y los circuitos de control. Presione el botón de encendido por 3 segundos para arrancar nuevamente el sistema UPS.

Si el sistema UPS está en línea (modo normal) cuando se activa el botón EPO:

- La salida principal y la salida de derivación se apagan, la alarma suena, los ventiladores y los circuitos de control permanecen activos.
- Soltando el botón EPO (presionándolo nuevamente) apaga la alarma y pone al sistema UPS en modo de derivación automática. Presione el botón de encendido por 3 segundos para regresar el sistema UPS a modo en línea (normal).

Vea la [Sección 10 – Pantalla y Configuración](#) para información detallada acerca de los menús del panel de control y las pantallas.

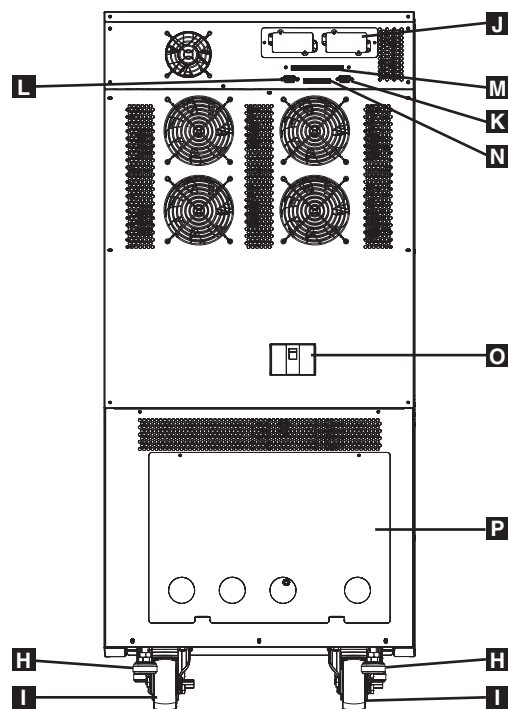
4 – Características y Funciones del Panel Frontal y Trasero



Se muestra el SU40KX (frente)

Nota: Los modelos Individuales pueden variar de los diagramas. La unidad se muestra con los biselados frontales removidos.

- A Panel de Control:** El panel de control permite al operador monitorear y controlar el sistema UPS. Vea la [Sección 3 – Características y funciones del Panel del Control](#) para mayor información.
- B Módulos de Potencia Internos:** Los módulos de potencia internos de 20kVA pueden remplazarse en el campo sin apagar las cargas del equipo conectado. La cantidad de módulos de potencia internos varía por modelo. Los módulos internos de potencia son capaces de una redundancia N+1 en los modelos SU40KX, SU60KX y SU80KX.
- C Compartimiento del Módulo de Batería Internas (SU20KX y SU40KX únicamente):** las baterías internas deben ser conectadas por un electricista calificado. Vea la [Sección 6 – Conexión de la Batería Interna](#) para mayor información.
- D Interruptor de Circuitos de Salida (Q4):** Controla la salida de energía CA.
- E Interruptor de Circuitos de la Derivación Manual (Q3):** Controla la energía CA de entrada al sistema UPS durante una operación de derivación manual.
- F Interruptor de Circuitos de Entrada de Derivación (Q2):** Controla la energía CA de entrada al UPS durante una operación de derivación automática.
- G Interruptor de Circuitos Principal de Entrada (Q1):** Controla la energía CA de entrada al sistema UPS durante la operación en línea (normal).
- H Niveladores/Puntales:** Los niveladores/puntales proporcionan soporte por largo tiempo al sistema UPS.
- I Ruedas:** Las ruedas están diseñadas para ajustes de posicionamientos pequeños dentro del área de ubicación final únicamente. No están diseñadas para mover el UPS por largas distancias. Las ruedas no están diseñadas para proporcionar un soporte por largo tiempo al UPS después de la instalación final. Utilice los niveladores/puntales para proporcionar soporte a largo plazo.



Se muestra el SU40KX (parte posterior)

Nota: Los modelos Individuales pueden variar de los diagramas. La unidad se muestra con los biselados frontales removidos.

- H Niveladores/Puntales:** Los niveladores/puntales proporcionan soporte por largo tiempo al sistema UPS.
- I Ruedas:** Las ruedas están diseñadas para ajustes de posicionamientos pequeños dentro del área de ubicación final únicamente. No están diseñadas para mover el UPS por largas distancias. Las ruedas no están diseñadas para proporcionar un soporte por largo tiempo al UPS después de la instalación final. Utilice los niveladores/puntales para proporcionar soporte a largo plazo.
- J Ranura para Accesorios:** Remueva la tapa para instalar un accesorio SNMPWEBCARD de Tripp Lite. El accesorio SNMPWEBCARD proporciona una interfaz Ethernet para el sistema UPS y permite el monitoreo y control remoto vía SNMP, navegador de Web o telnet. Para más información acerca del accesorio SNMPWEBCARD, visite www.tripplite.com.
- K Puerto de Comunicaciones Seriales RS-232:** Este puerto DB9 conecta al sistema UPS a una estación de trabajo o servidor compatibles, permitiendo automáticamente apagar el equipo durante apagones prolongados y monitorear las operaciones y las condiciones de la energía.
- L Puerto de configuración en paralelo:** Este puerto DB9 conecta al sistema UPS a otro sistema UPS de i tipo y capacidad idénticos para usarse en una configuración de redundancia paralela (1+1). Vea la **Sección 7 – Cableado** y la **Sección 8 - Modos de Operación** para mayor información.
- M Interfaz de Entrada de Contacto Seco:** Esta interfaz recibe señales de contacto seco que permiten al sistema UPS recibir ordenes y monitorear las condiciones de la batería externas. Vea la **Sección 11 – Comunicaciones** para mayor información.
- N Interfaz de Salida de Contacto Seco:** Esta interfaz permite al sistema UPS enviar información vía de comunicaciones de contacto seco. Vea la **Sección 11 – Comunicaciones** para mayor información.
- O Interruptor de Circuitos de las Baterías Internas (Q5) (SU20KX y SU40KX únicamente):** Controla la energía de entrada/salida de las baterías internas del sistema UPS.
- P Tapa del Bloque de Terminales:** Remueva la tapa del bloque de terminales para acceder a las terminales de conexión de entrada, entrada de derivación, gabinete de baterías externas, salida y tierra del sistema UPS. Conduits cableados pasan a través de las perforaciones circulares [knockouts] en la tapa de terminales del bloque de terminales. Vea la **Sección 7 – Cableado** para mayor información, incluyendo un diagrama detallado del bloque de terminales.

5 – Instalación del Gabinete



Lea la **Sección 2 – Instrucciones de Seguridad Importantes** Antes de la Instalación

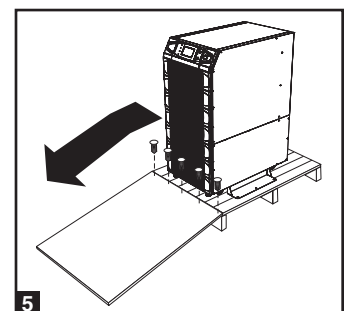
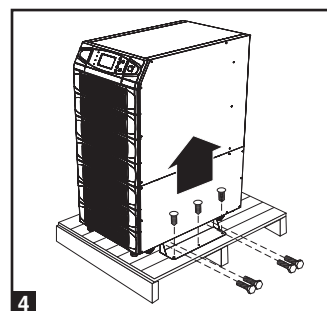
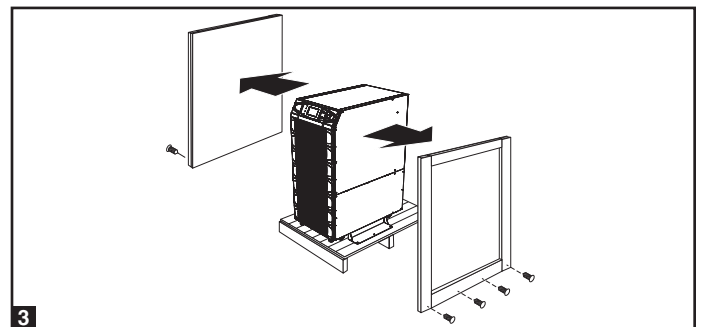
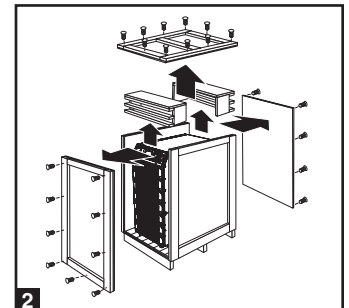
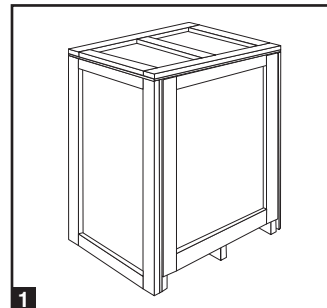


5-1 Preparación

El sistema UPS debe instalarse en un área estructuralmente sólida en un piso nivelado que sea capaz de soportar el peso de del sistema UPS, el gabinete de baterías externas y otro equipo que vaya a ser instalado cerca. El sitio de la instalación debe contar con un circuito CA dedicado que sea compatible con los requerimientos de entrada del sistema UPS. (Vea la **Sección 12 – Especificaciones** para los detalles de requerimientos de entrada y de la carga del piso) Antes de desempacar la unidad, debe llevar el contenedor de embarque cerca del lugar de la instalación final para minimizar la distancia que necesitará mover a unidad después de que el contenedor de embarque haya sido removido. Si planea almacenar el sistema UPS por un período prolongado antes de instalarlo, siga las instrucciones en la **Sección 13 – Almacenaje y Servicio**. (Instrucciones de desempaque y almacenaje también están impresas en la hoja “Unpacking and Storage Instructions” [Instrucciones de desempaque y almacenaje] pegadas al contenedor de embarque) **Advertencia: No intente desempacar o mover el sistema UPS sin ayuda.**

5-2 Desempaque

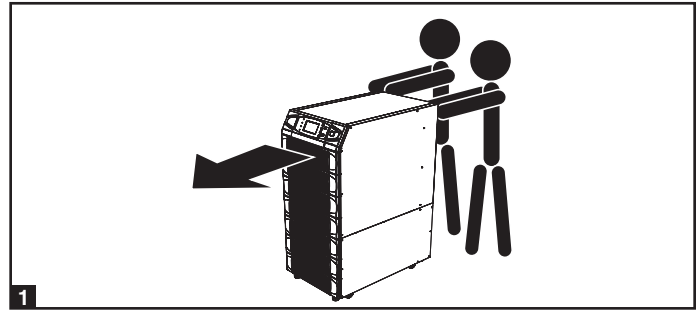
- 1** Inspeccione el contenedor de embarque por daños visibles. Si determina que la unidad ha sido dañada durante el embarque, comuníquese con Tripp Lite por asistencia. No intente usar el sistema UPS si ha sido dañado o manejado inadecuadamente.
- 2** Confirme que contenedor de embarque está hacia arriba y use un desatornillador para quitar el panel superior, panel frontal y panel trasero. También quite el plástico y el material de acojinamiento interior. Confirme que el nombre del modelo y tipo indicado en la parte posterior del gabinete sea el mismo del que usted ordenó. Examine gabinete en busca de cualquier daño o partes sueltas. Confirme que el contenedor de embarque incluye los accesorios que se deben embarcar con la unidad. El sistema UPS debe incluir un cable serial RS-232, un cable de redundancia en paralelo, un conector para EPO remoto, un conector de entrada de contacto seco (4 contactos), un conector de salida de contacto seco (12 contactos) y un CD-ROM con el software. Si algo falta o está dañado comuníquese con Tripp Lite por asistencia.
- 3** Confirme que la unidad está estable, y entonces remueva los paneles laterales del contenedor de embarque.
- 4** Remueva los tornillos de las abrazaderas de embarque que aseguran la unidad a la tarima y a continuación remueva las abrazaderas del sistema UPS. **Advertencia: Extreme precauciones ya que la unidad podría voltearse inesperadamente.**
- 5** Use varias de los tornillos que quitó en el paso 2 para fijar el panel superior del contenedor de embarque a la orilla frontal de la tarima de embarque. La superficie suave del panel debe estar hacia arriba de tal forma que puede ser usada como rampa para rodar la unidad de la tarima de embarque. No intente usar el panel superior como rampa si se encuentra rajada o dañada estructuralmente en cualquier forma. Asegúrese de que las ruedas debajo de la unidad no están aseguradas. Extreme precauciones y con la ayuda de varios asistentes, lentamente rueda la unidad rampa abajo.



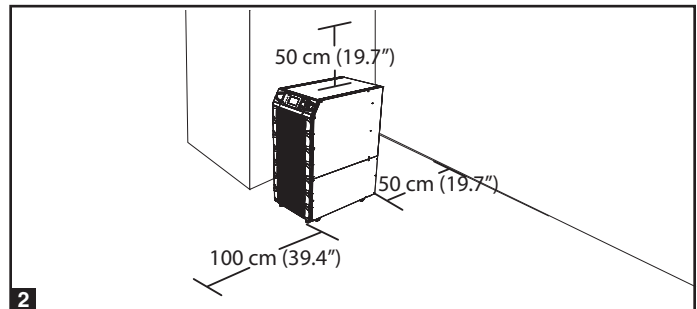
5 – Instalación del Gabinete (continuación)

5-3 Colocación

1 Use las ruedas para mover el sistema UPS por cortas distancias sobre una superficie nivelada, suave y estable. No intente usar las ruedas para mover el sistema UPS por largas distancias. El sistema UPS deberá moverse cerca del sitio de ubicación final dentro de su contenedor de embarque antes de desempacarlo del contenedor de embarque. Use un dispositivo mecánico de la suficiente capacidad para mover el contenedor de embarque. **Advertencia: El sistema UPS puede volcarse si es movido en un área inestable. Extreme precauciones cuando mueva el sistema UPS. Empuje el sistema UPS del frente o de atrás, y no de los lados.**



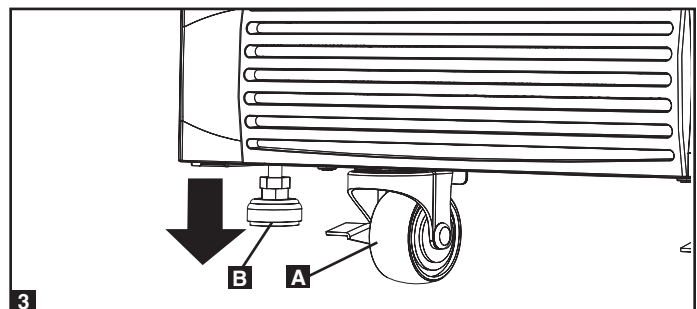
2 Posicione el sistema en un área estructuralmente sólida con un piso nivelado que sea capaz de soportar el peso del sistema UPS los gabinetes de baterías externas y otros equipos que vayan a ser instalados cerca. La instalación también deberá contar con un circuito CA dedicado que sea compatible con los requerimientos de entrada del sistema UPS. (Vea la **Sección 12 - Especificaciones** para más información acerca de los requerimientos de entrada y los requerimientos de resistencia/carga del piso). El sistema UPS debe instalarse en un entorno limpio, seguro con una humedad relativa menor al 90% (sin condensación). Opere el sistema UPS a temperaturas interiores entre 17° C y 29° C (62° F y 84° F). Prevenga daños al cableado utilizando conduits protectores adecuados. A fin de mantener un adecuado flujo de aire y acceso para servicio, debe mantener el siguiente espacio libre:



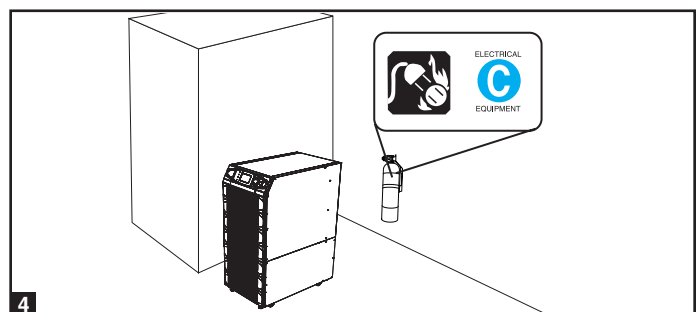
- Por lo menos 100 cm de espacio libre al frente del sistema UPS.
- Por lo menos 50 cm de espacio libre atrás del sistema UPS.
- Por lo menos 50 cm de espacio libre arriba del sistema UPS.

Advertencia: El ventilador de enfriamiento circula el aire del frente hacia atrás. No utilice ningún aire acondicionado o ventilador que dirija el aire directamente hacia la parte de atrás del sistema UPS.

3 Después de mover el sistema UPS a su ubicación final, asegure las ruedas **A** y use los niveladores **B** para estabilizar el gabinete. Asegúrese que los cuatro niveladores hacen un contacto firme con el suelo.



4 Para casos de emergencia, instale cerca del sistema UPS un extintor certificado para incendios de equipos eléctricos (Certificado Clase C o su equivalente exacto con un agente extintor no conductivo).



6 – Conexión de la Batería Interna (Únicamente Modelos SU20KX y SU40KX)



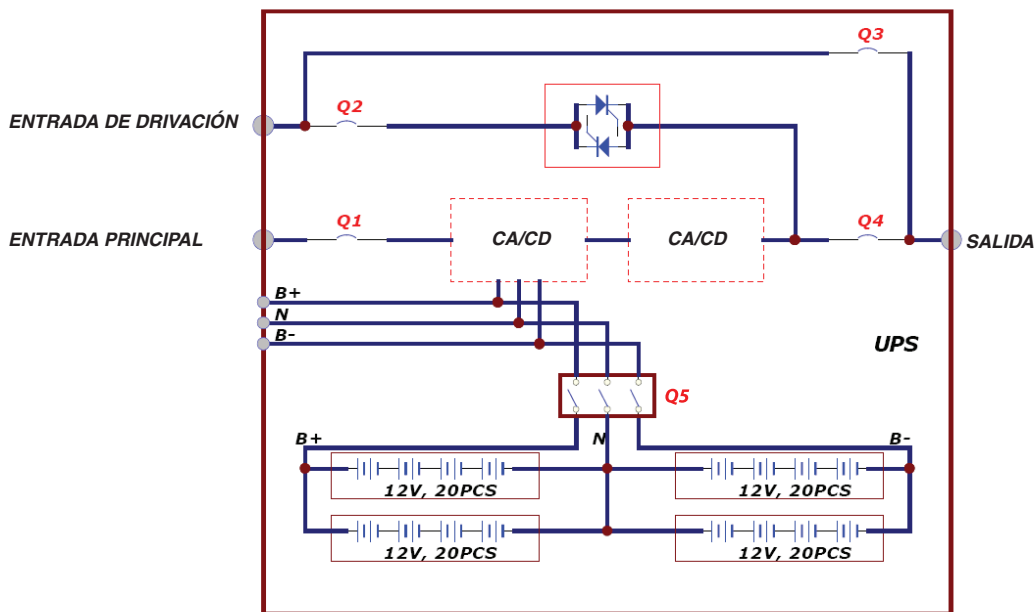
¡PELIGRO! ¡RIESGO DE ALTO VOLTAJE LETAL!

Alto voltaje potencialmente letal existe dentro de las baterías, aun y cuando no estén conectadas al sistema UPS. Las conexiones de la batería deberá ser efectuado únicamente por personal de servicio calificado, siguiendo todas las precauciones indicadas en este manual y adherirse a todos los códigos eléctricos locales. Antes de proceder lea la [Sección 2 – Instrucciones de Seguridad Importantes](#).

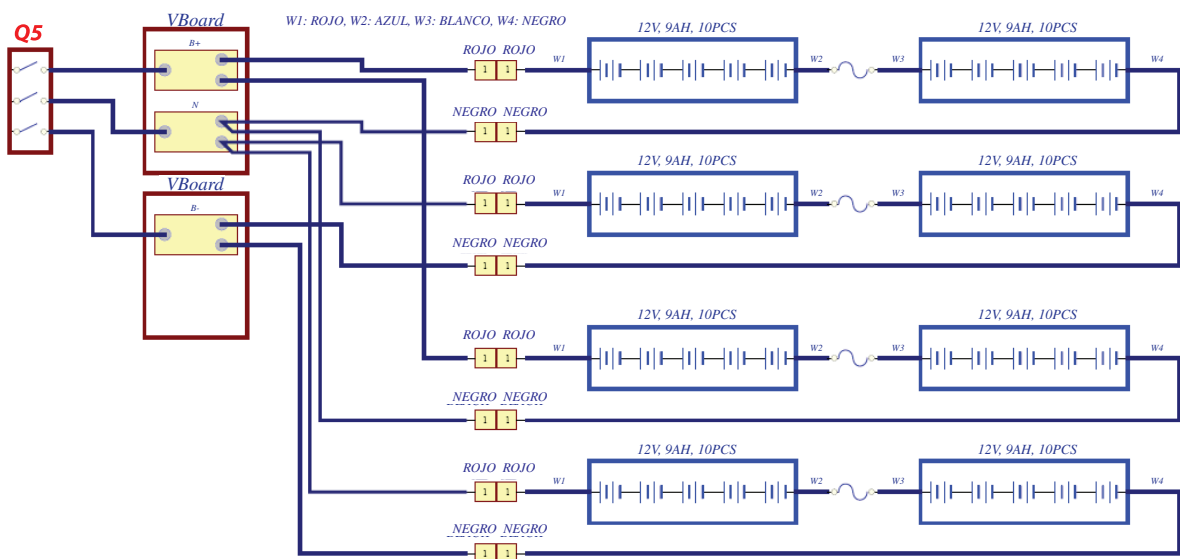
Las conexiones para la batería interna es únicamente para los modelos SU20KX y SU40KX. Cada módulo de baterías externas consiste de dos cadenas de baterías: una cadena con un cable negro y otra cadena con un cable rojo. La cantidad de baterías internas varían por modelo.

6-1 Diagramas de Cableado de la Batería Interna

Revise los diagramas del cableado de la batería interna antes de conectar las baterías internas. El sistema UPS hasta cuatro módulos de baterías internas (cada módulo consiste de dos cadenas, cada cadena consiste de 10 baterías). El número de baterías internas varía por modelo.



Se muestra el SU40KX

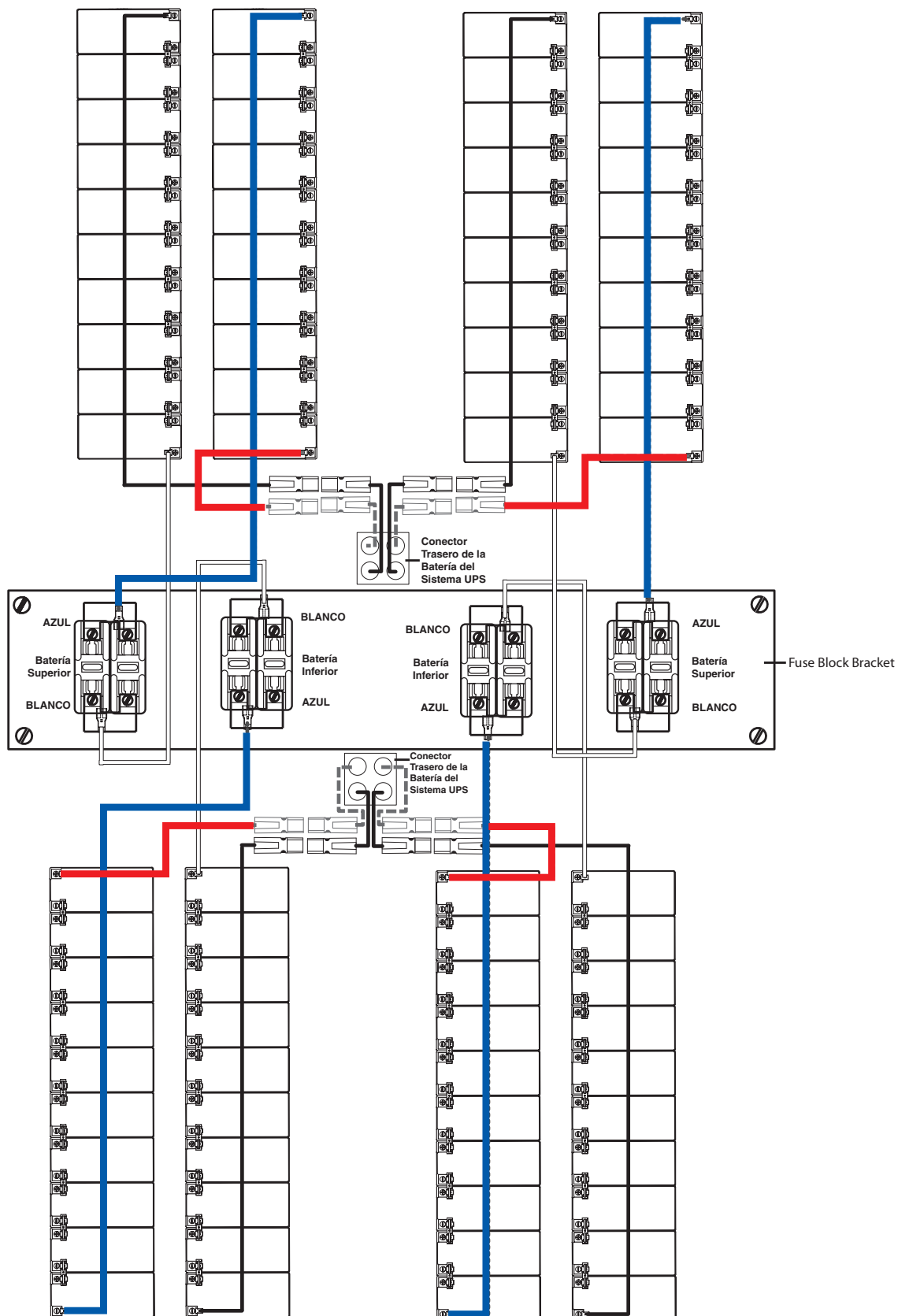


Se muestra el SU40KX

6

6 – Conexión de la Batería Interna (continuación)

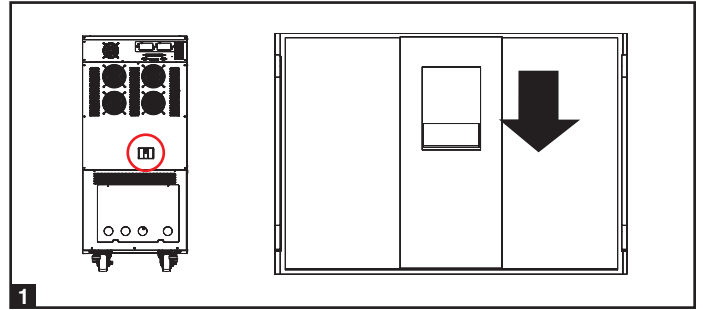
6-1 Diagrama de Cableado de la Batería Interna (continuación)



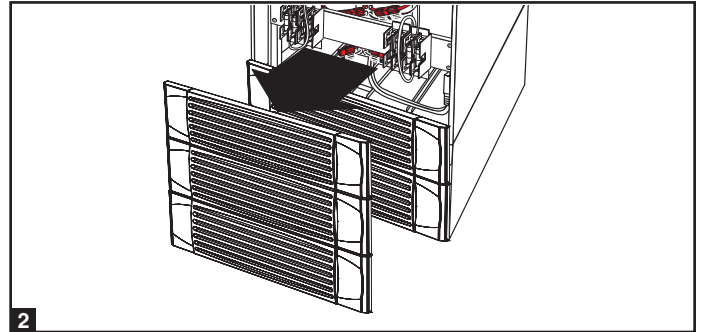
Se muestra el SU40KX

6-2 Procedimiento para la Conexión de la Batería Interna

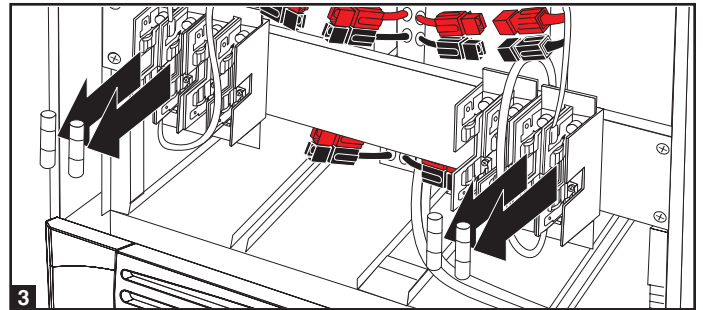
- 1 Coloque el sistema UPS en derivación (o apáguelo completamente) y apague el interruptor de circuitos de la batería interna, localizado en la parte trasera del sistema UPS.



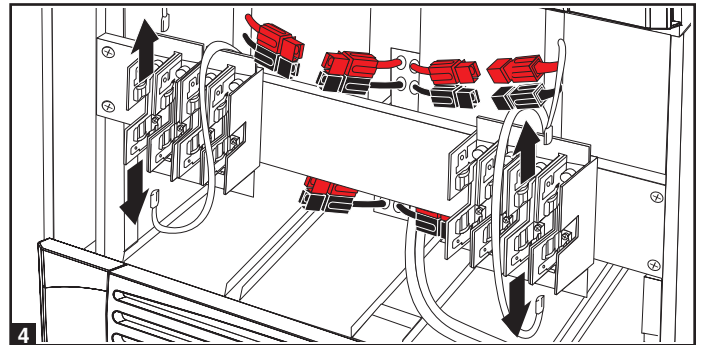
- 2 Remueva los biseles de acceso a la batería, localizados al frente del sistema UPS.



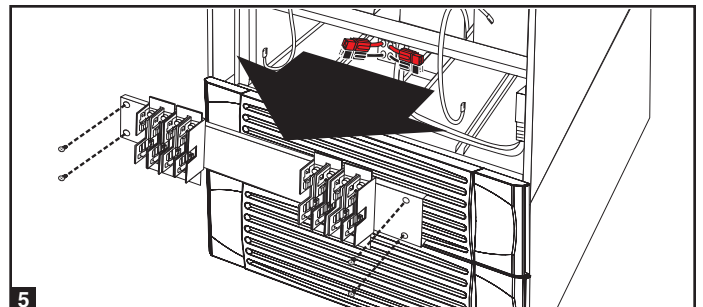
- 3 Remueva los cartuchos de fusibles de cada bloque de fusibles.



- 4 Desconecte los cables de puenteo [jumpers] azul y blanco conectado a cada bloque de fusibles. **Advertencia: Cuando desconecte los cables de puenteo, jálelos hacia fuera del bloque de fusibles con una fuerza uniforme. No los menea de lado a lado, ya que esto puede dañar al conector.**



- 5 Remueva el soporte de los fusibles. Observe su orientación antes de removerlos.

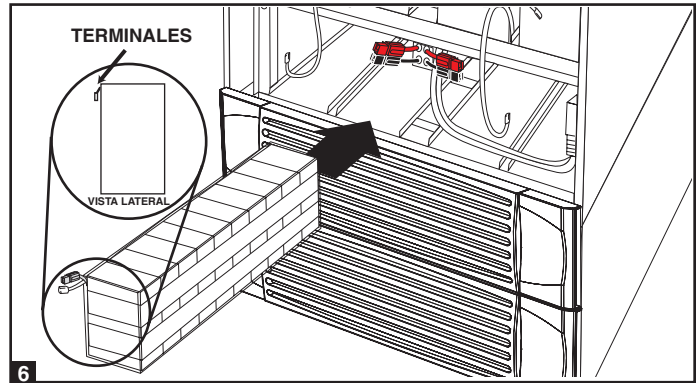


6 – Conexión de la Batería Interna (continuación)

6-2 Procedimiento para la Conexión de la Batería Interna (continuación)

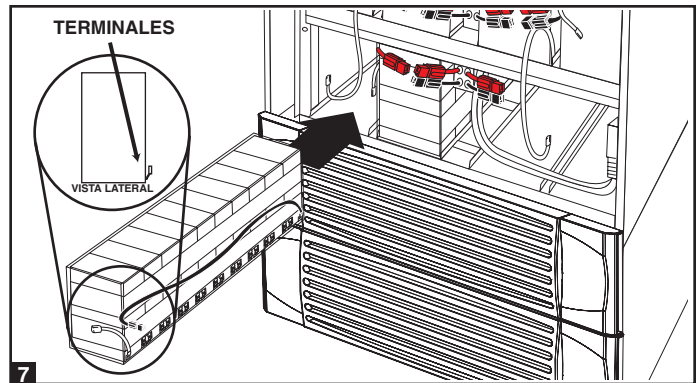
- 6** Deslice una cadena de baterías con un cable rojo en una ranura vacía dentro del compartimiento de baterías. Asegúrese que la cadena de baterías está orientada como se muestra en el diagrama.

Nota: Empiece con las ranuras vacías de hasta abajo del compartimiento y trabaje hacia las ranuras vacías de la parte superior del compartimiento de la batería.

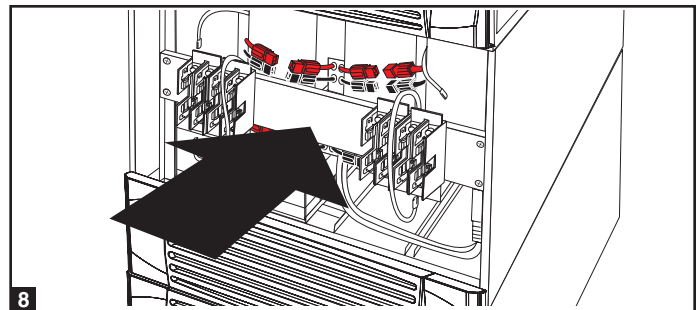


- 7** Deslice una cadena de baterías con un cable negro en una ranura vacía dentro del compartimiento de baterías, junto a la cadena de baterías que insertó en el paso 6. Asegúrese que la cadena de baterías está orientada como se muestra en el diagrama. Repita los pasos 6 y 7 conforme se necesite hasta que todas las cadenas de baterías hayan sido insertadas en las ranuras vacías.

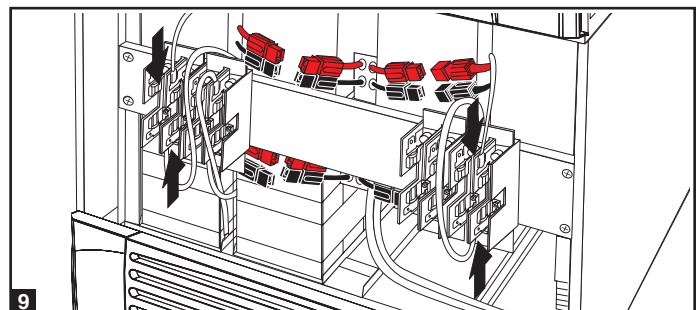
Nota: Dependiendo del modelo de sistema UPS, algunas de las ranuras del compartimiento de baterías pueden permanecer vacías.



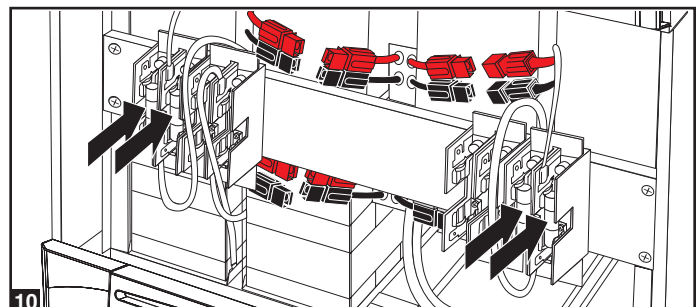
- 8** Reconecte el soporte del bloque de fusibles. (Las letras en el bloque de fusibles deberán estar hacia arriba cuando están orientadas correctamente.)



- 9** Conecte los cables de puenteo azul y blanco en cada módulo de baterías internas al bloque de fusibles correspondientes. La rotulación junto al bloque de fusibles identifica el bloque de fusibles correcto para cada cable.

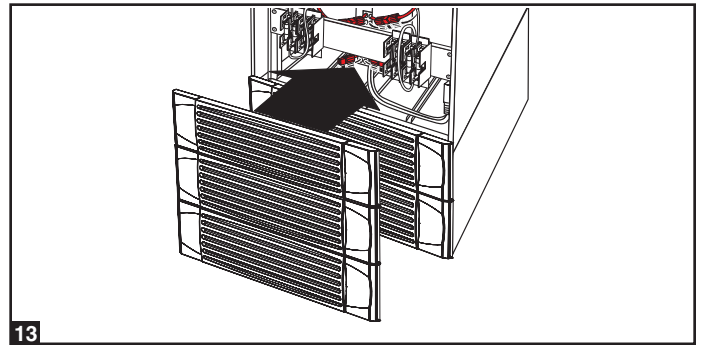
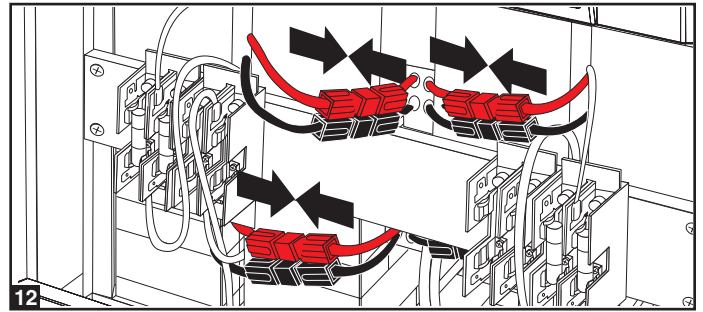
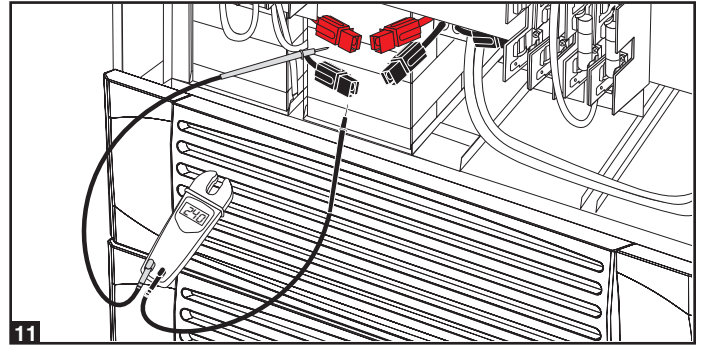


- 10** Inserte el cartucho de fusibles en cada bloque de fusibles. Los fusibles son intercambiables. Asegúrese que estén firmemente insertados en su lugar. **Advertencia: Los cartuchos de fusibles de la batería deben insertarse al último debido a la posibilidad de arcos voltaicos entre los conectores. Los fusibles quemados deben ser reemplazados por un electricista calificado. Reemplace los fusibles únicamente por fusibles del mismo tipo y número.**



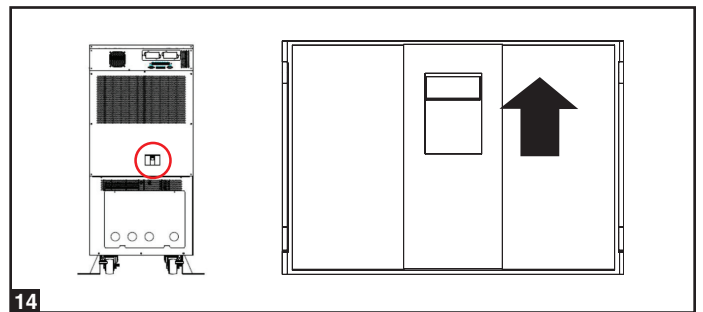
6-2 Procedimiento para la Conexión de la Batería Interna (continuación)

- 11** Use un voltímetro (suministrado por el usuario) para probar el voltaje de cada módulo de baterías internas. Observando la polaridad correcta conecte el sensor **negro** del voltímetro al conector **negro** del módulo de baterías; conecte el sensor **rojo** del voltímetro al conector **rojo** del módulo de baterías. Asegúrese que los sensores del voltímetro toquen los contactos metálicos dentro de los conectores del módulo de baterías. El rango de voltaje CC aceptable está entre 220V y 280V CC (240V CC nominales). Si varias pruebas con el voltímetro arrojan resultados fuera del rango CC aceptable, comuníquese con Tripp Lite por asistencia para determinar las posibles causas las lecturas incorrectas de voltaje antes de proceder.
- 12** Conecte el cable **negro** por cada módulo de baterías internas al conector **negro** más cercano localizado dentro del compartimiento de baterías del sistema UPS. Conecte el cable **rojo** por cada módulo de baterías internas al conector **rojo** más cercano localizado dentro del compartimiento de baterías del sistema UPS. **Advertencia: Observe la polaridad correcta conectando negativo con negativo (negro con negro) y positivo (rojo con rojo). Fallar en observar la polaridad correcta dañara el sistema UPS y creará un serio riesgo de lesiones personales y daños al a propiedad.**
- 13** Vuelva a colocar los bisel de acceso a la batería.



- 14** Seguir el procedimiento adecuado para reiniciar el UPS y volver a transferir la carga crítica a la alimentación protegida.

Nota: Si necesita remover o reemplazar las baterías internas, modifique los pasos 6 y 7 removiendo y/o reemplazando los módulos de baterías internas existentes conforme se requiera.



7 – Cableado



¡PELIGRO! ¡RIESGO DE ALTO VOLTAJE LETAL!

Todo el cableado deberá ser llevado a cabo por un electricista calificado, conforme a todas las advertencias de este manual y todos los códigos de electricidad y seguridad aplicables. Un cableado incorrecto puede dañar al sistema UPS y causar serias lesiones personales y daños a la propiedad. Antes de proceder lea la [Sección 2 – Instrucciones de Seguridad Importantes](#).

7-1 Advertencias sobre el Cableado

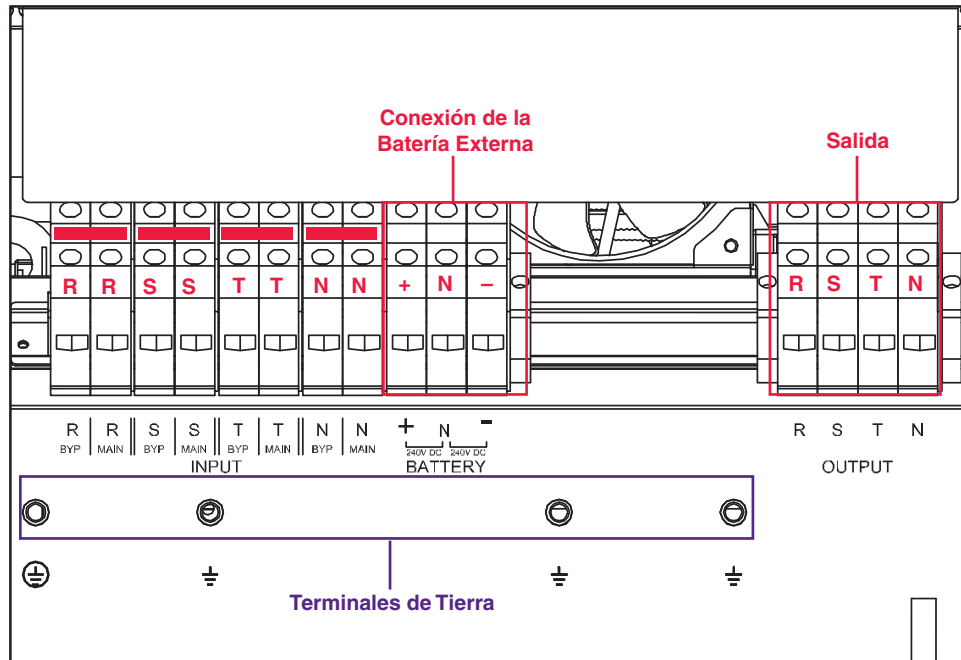
- Desconecte todas las fuentes de energía de entrada y salida del sistema UPS antes de instalar los cables o hacer conexiones eléctricas.
- Use cables flexibles de longitud suficiente que permitan dar servicio al sistema UPS. La longitud máxima del cable es 10 m (32.8 pies).
- Use conteras/virolas para cubrir las terminaciones de los cables y evitar terminaciones deshilachadas que puedan hacer corto con el bloque de terminales del sistema UPS.
- Use cables VW-1, FT-1 o mejores.
- Use fundas para cables y abrazaderas para los conectores.
- Los conductores neutros deben ser del mismo calibre que los conductores de corriente.
- Apriete todas las conexiones con una fuerza de torsión de por lo menos 3.95 N·m (35 in·lb)
- Confirme que los cables están marcados correctamente de acuerdo a su propósito, polaridad, fase y diámetro.
- Si la fuente de energía de entrada /salida es wye-wye, entonces “Neutro” y “Tierra” no deben ser conectados.
- Si la fuente de energía de entrada tiene $V_{NG} > 0$, instale un transformador de aislamiento antes del sistema UPS y la fuente de energía de entrada, y entonces conecte el “neutro” y “Tierra” del sistema UPS juntos.
- Para equipos que requieran una conexión neutra a un sistema de distribución de energía IT, el dispositivo de desconexión debe ser un dispositivo de cuatro polos y debe desconectar todos los conductores de línea y el conductor neutro. Si un dispositivo de desconexión interrumpe al conductor neutro, debe simultáneamente interrumpir todos los conductores de línea.
- Permita que las baterías se carguen ininterrumpidamente durante 24 horas después de la conexión inicial de cableado.
- Observe la polaridad correcta conectando negativo con negativo y positivo con positivo. Fallar en observar la polaridad correcta dañará al sistema UPS y crea un serio riesgo de lesiones personales y daños a la propiedad.
- Observe la fase adecuada conectando R con R, S con S, T con T y N con N. Fallar en observar la polaridad correcta dañará al sistema UPS y crea un serio riesgo de lesiones personales y daños a la propiedad.
- El UPS modelo KX cubierto por este manual puede ser alimentado por una sola fuente o por dos fuentes. Si se desea, puede suministrarse una fuente separada en derivación (reserva) a las terminales de alimentación del UPS. Los sistemas UPS se embarcan de fábrica con los puentes de terminal requeridos (cuatro en total) instalados para facilitar las conexiones de una sola fuente de alimentación. Si se desea alimentación doble, retire los puentes de terminal antes de cablear ambas fuentes de CA, la principal y la de derivación.

7-2 Preparación del Cableado

- Desconecte todas las fuentes de energía de entrada y salida (CA y CC) del sistema UPS y del gabinete de baterías externas (Si lo hubiera).
- Marque correctamente de acuerdo a su propósito, polaridad, fase y diámetro.
- Revise los diagramas en la [Sección 7-3](#) y la [Sección 7-4](#) para familiarizarse con el bloque de terminales.
- Consulte la tabla en la [Sección 7-5](#) para encontrar las características eléctricas de entrada/salida correctas para el sistema UPS.

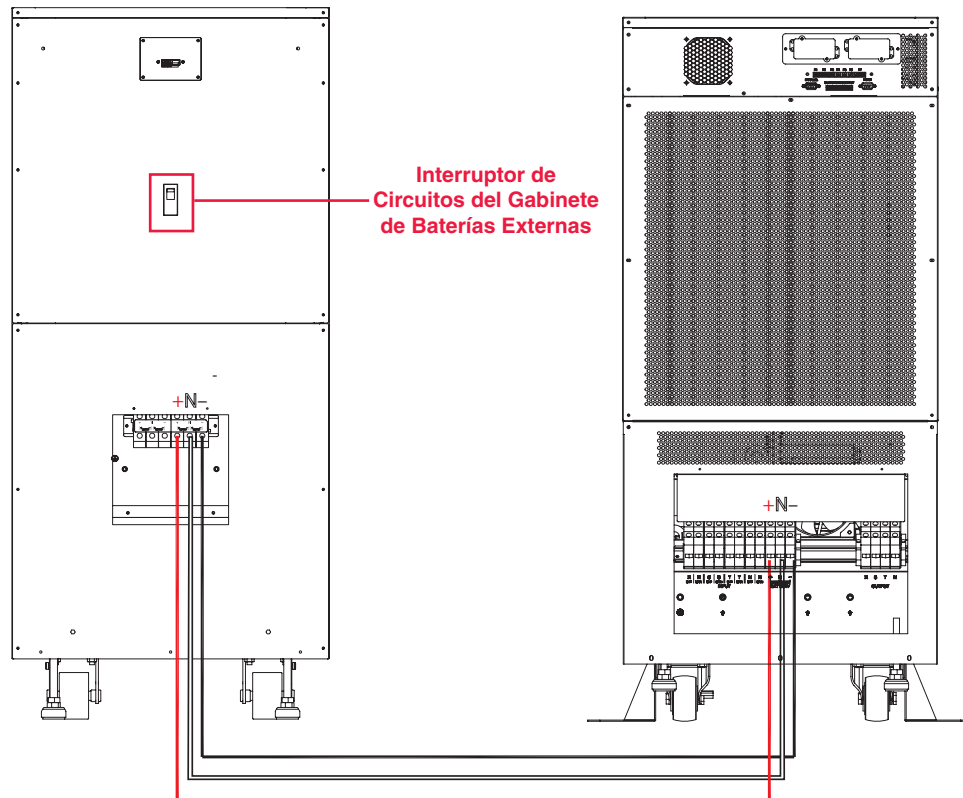
Nota: Si la fuente de energía de entrada/salida del sistema UPS es wye-wye, entonces el “Neutro” y “Tierra” no deben conectarse. Si la fuente de energía de entrada tiene $V_{NG} > 0$, instale un transformador de aislamiento antes del sistema UPS y la fuente de energía de entrada y entonces conecte el “Neutro” y la “Tierra” del sistema UPS juntos.

7-3 Diagrama del Bloque de Terminales del Sistema UPS



Se muestra la configuración típica de alimentación sencilla (con puentes de terminales instalados en fábrica [x4])

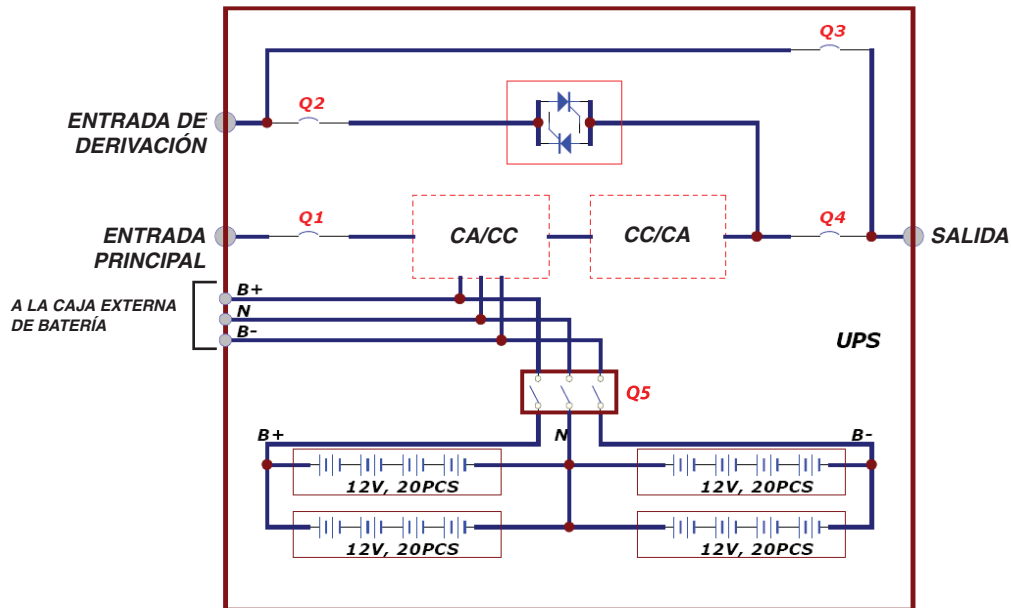
7-4 Diagramas del Cableado del Gabinete de Baterías Externas



SU80KX y BP480V40C se muestran sólo como ejemplo. Para las especificaciones exactas, consulte la documentación del gabinete de baterías; el cableado de la batería debe protegerse en un tubo conductor.

7 – Cableado (continuación)

7-4 Diagramas del Cableado del Gabinete de Baterías Externas (continuación)



SU40KX shown

Cajas externas de batería

Caja B: 26AH, fusibles de 125A

Caja C: 40AH, fusibles de 160A

Caja de 10 años: 55AH, 78AH, 103AH, 140AH y disyuntor de circuito de 250A

7-5 Información Eléctrica y Cables

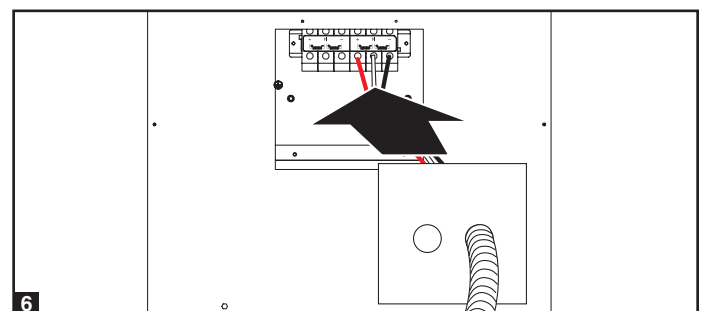
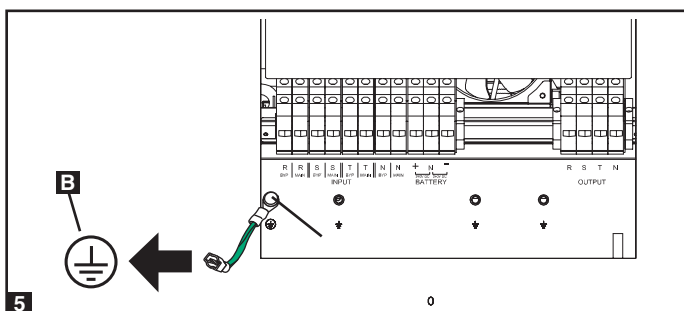
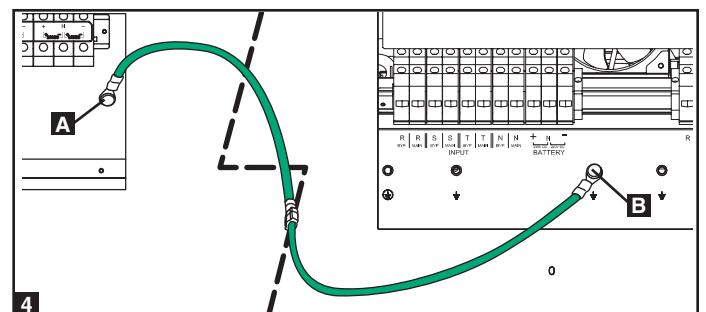
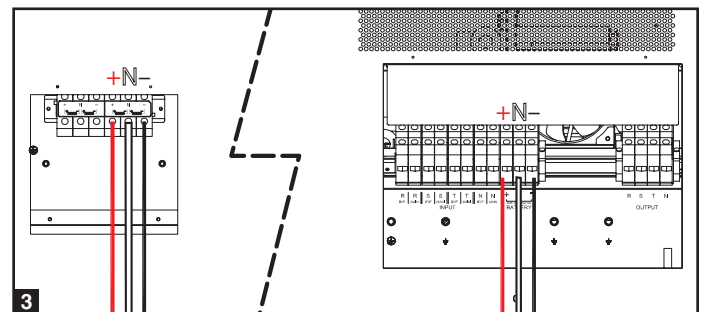
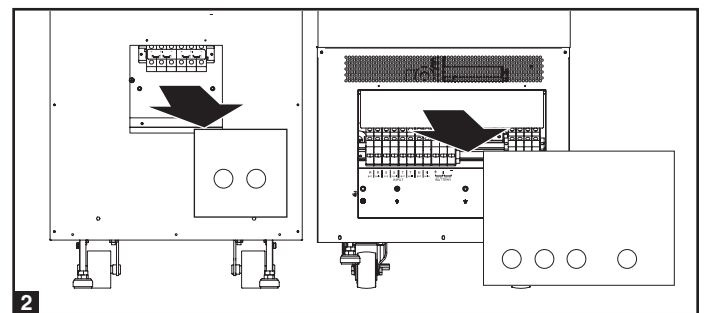
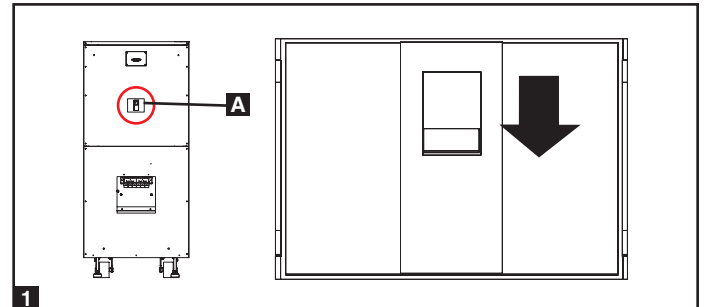
Modelo	Alimentación	Salida	Tamaño Máximo Recomendado de Alimentación, de Derivación (si se usa), y del Breaker de Salida	Calibre del Cable de Alimentación, Reserva y Salida	Corriente de Batería a Carga Máxima a VCD Nominal	Corriente de Batería a Carga Máxima a LVC [Bajo Voltaje]	Calibre Recomendado de Cable de Batería
SU20KX	220/380V, 230/400V ó 240/415V CA, 3Φ, 4 hilos + Tierra Física	220/380V, 230/400V ó 240/415V CA, 3Φ, 4 hilos + Tierra Física	50A	10 mm ² (#8 AWG)	35A	42A	50 mm ² (1/0 AWG)
SU40KX	220/380V, 230/400V ó 240/415V CA, 3Φ, 4 hilos + Tierra Física	220/380V, 230/400V ó 240/415V CA, 3Φ, 4 hilos + Tierra Física	75A (80A)	25 mm ² (#4 AWG)	69A	83A	50 mm ² (1/0 AWG)
SU60KX	220/380V, 230/400V ó 240/415V CA, 3Φ, 4 hilos + Tierra Física	220/380V, 230/400V ó 240/415V CA, 3Φ, 4 hilos + Tierra Física	125A	50 mm ² (#1 AWG)	103A	124A	50 mm ² (1/0 AWG)
SU80KX	220/380V, 230/400V ó 240/415V CA, 3Φ, 4 hilos + Tierra Física	220/380V, 230/400V ó 240/415V CA, 3Φ, 4 hilos + Tierra Física	150A	50 mm ² (1/0 AWG)	138A	165A	50 mm ² (1/0 AWG)

7-6 Cableado del Gabinete de Baterías Externas

Advertencia: los gabinetes de baterías externas varían. Lea la documentación del gabinete de baterías externas antes de tratar de conectarlo al sistema UPS. Use únicamente gabinetes de baterías externas que estén aprobados por Tripp Lite.

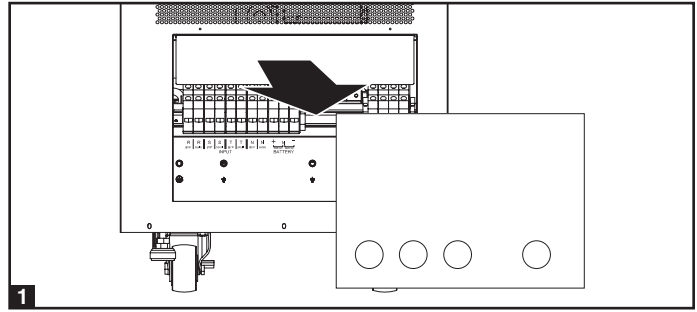
Nota: Se requiere un gabinete de baterías externas los modelos SU60KX y SU80KX. Es opcional con los modelos SU20KX y SU40KX. Contacte a Tripp Lite por información para ordenar los gabinetes de baterías externas.

- 1** Desconecte todas las entradas y salidas (CA y CC) del sistema UPS y del gabinete de baterías externas y confirme que el interruptor de circuitos **A** esté apagado. (Si el sistema UPS ya ha sido cableado a una fuente de energía CA, vea la [Sección 9-6](#) para instrucciones de apagado.)
- 2** Remueva las tapas del bloque de terminales del sistema UPS y del gabinete de baterías externas.
- 3** Conecte las terminales de conexión del sistema UPS del gabinete de baterías externas positivo (+), neutro (N) y negativo (-) a las terminales correspondientes positivo (+), neutro (N) y negativo (-) de las terminales de conexión de las baterías externas del sistema UPS. Vea la [Sección 7-3](#) y la documentación del gabinete de baterías externas para diagramas del bloque de terminales. Vea la [Sección 7-4](#) para los diagramas de conexión. Vea la [Sección 7-5](#) para los requerimientos del calibre de los cables. Los cables de estar protegidos por conduits flexibles y enrutados a través de las perforaciones circulares [knockouts] correspondientes en la tapa del bloque de terminales. **Advertencia: Observe la polaridad correcta conectando negativo con negativo y positivo con positivo. Fallar en observar la polaridad correcta dañará al sistema UPS y crea un riesgo de lesiones personales y daños a la propiedad.**
- 4** Conecte la terminal de tierra del gabinete de baterías externas **A** a la terminal de tierra correspondiente del sistema UPS **B** con un cable de tierra 4 AWG (5.189 mm). Mantenga siempre conectado el cable de tierra después de la instalación.
- 5** Conecte la terminal de tierra **A** del sistema UPS a la tierra física de sus instalaciones **B** con un cable de tierra 4 AWG (5.189 mm). Mantenga siempre conectado el cable de tierra después de la instalación.
- 6** Vuelva a colocar la tapa del bloque de terminales del gabinete de baterías externas. Si no tiene planes de cablear la entrada/salida CA del sistema UPS en este momento, vuelva a colocar la tapa del bloque de terminales del sistema UPS.

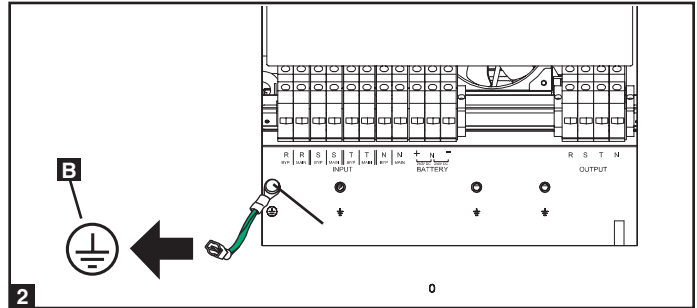


7-7 Cableado de la Entrada/Salida CA (Un Solo UPS)

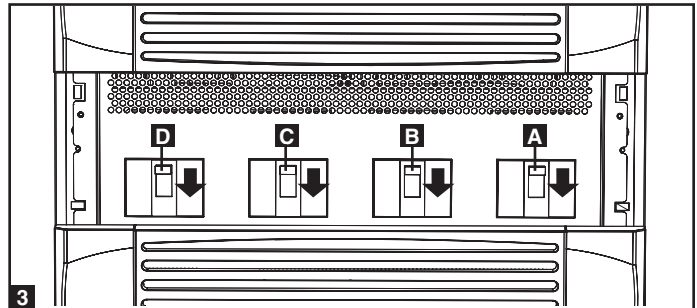
1 Después de desactivar todas las entradas y salidas (CA y CC) del sistema UPS, quite la tapa del bloque de terminales del sistema UPS.



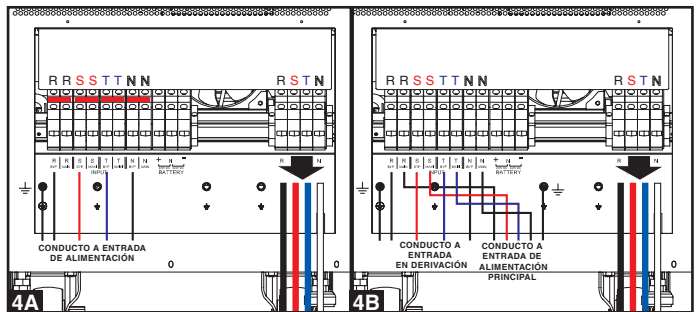
2 Si no conectó el cable de tierra en la **Sección 7-6**, conecte la terminal de tierra **A** del sistema UPS a la tierra física **B** de sus instalaciones con un cable de tierra 4 AWG (5.189 mm). Mantenga siempre conectado el cable de tierra después de la instalación.



3 Remueva el bisel frontal del sistema UPS para dejar descubiertos los interruptores de circuitos. Primero, confirme que tanto el interruptor de circuitos de la entrada principal **A** como el interruptor de circuitos de la entrada de derivación **B** estén apagados. Segundo, confirme que el interruptor del interruptor de circuito de derivación manual **C** esté apagado. Tercero, confirme que el interruptor de circuitos de salida **D** esté apagado.



4 Confirme la fase de cada cable, entonces conecte los cables de acuerdo al diagrama de bloque de terminales del sistema UPS en la **Sección 7-3**. Vea la **Sección 7-5** para los requerimientos del calibre del cable. El cableado deberá estar protegidos por conduits flexibles y enrutados a través de las perforaciones circulares [knockouts] adecuadas en el bloque de terminales **Advertencia:** Observe las fases correctas conectando R con R, S con S, T con T y N con N. Fallar en observar la fase correcta dañará al sistema UPS y crea un riesgo de lesiones personales y daños a la propiedad.



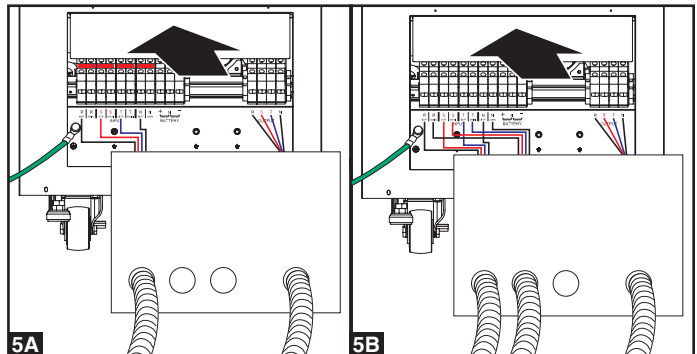
4A Entrada de Alimentación Sencilla

4B Entrada de Alimentación Doble

5 Vuelva a colocar la tapa del bloque de terminales del sistema the UPS.

5A Entrada de Alimentación Sencilla

5A Entrada de Alimentación Doble

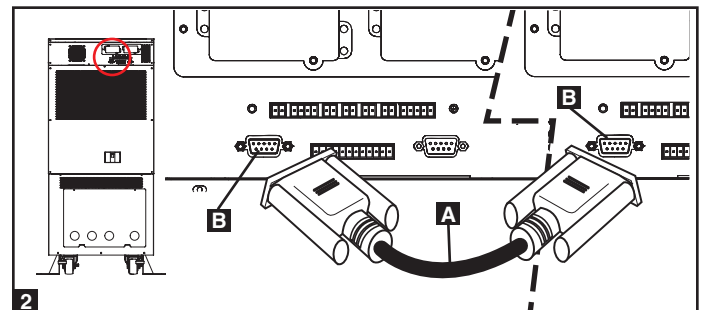
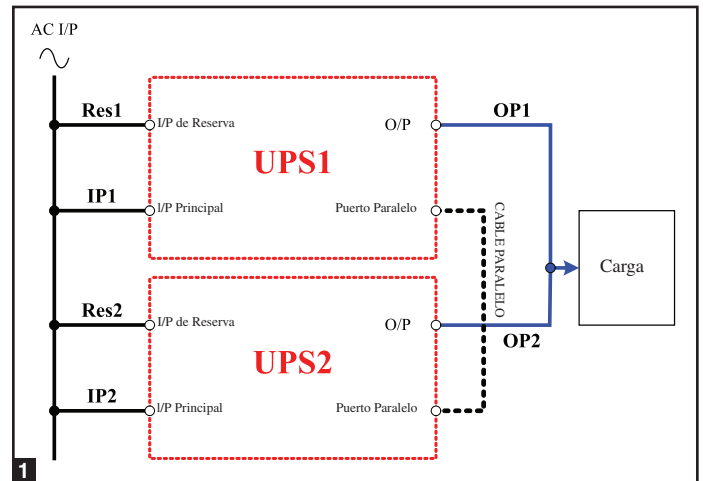


7-8 Cableado de la Entrada/Salida CA (UPS en Paralelo – Fuente única de entrada)

Advertencias del UPS en instalación paralela:

- La longitud total del cable de entrada debe ser igual a la longitud total del cable de salida a fin de prevenir la distribución desequilibrada de la carga entre los dos sistemas UPS en modo de reserva (i.e. $Res1 + OP1 = Res2 + OP2$; la desviación debe ser $<10\%$).
- La configuración paralela solamente soporta 2 sistemas UPS (1+1 de redundancia o capacidad). No intente conectar más de dos sistemas UPS mediante una configuración paralela.
- Los sistemas UPS deben tener igual régimen y capacidad para la instalación UPS en paralelo. Al intentar conectar sistemas UPS que no sean iguales estos pueden resultar dañados y crear un riesgo grave de lesiones personales y daños materiales.
- Cada UPS debe tener su grupo paralelo fijado en 2 y una “ID de paralelo” diferente que indique que los sistemas UPS se están utilizando en paralelo. (En la [Sección 10-5-5](#) encontrará más información).

- 1 Siga los pasos en la [Sección 7-7](#), Cableando los sistemas UPS, como se muestra en el diagrama.
- 2 Conecte el cable, incluido, de redundancia en paralelo **A** al puerto de redundancia en paralelo **B** de cada sistema UPS.

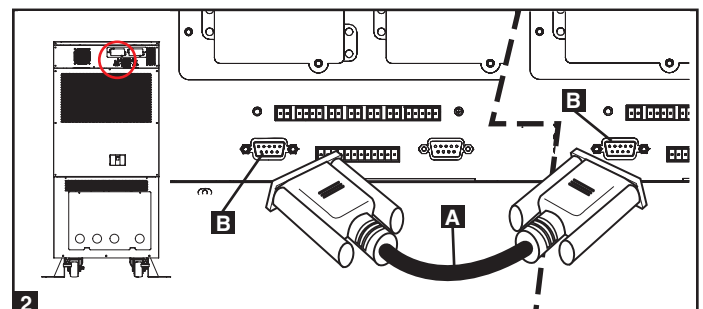
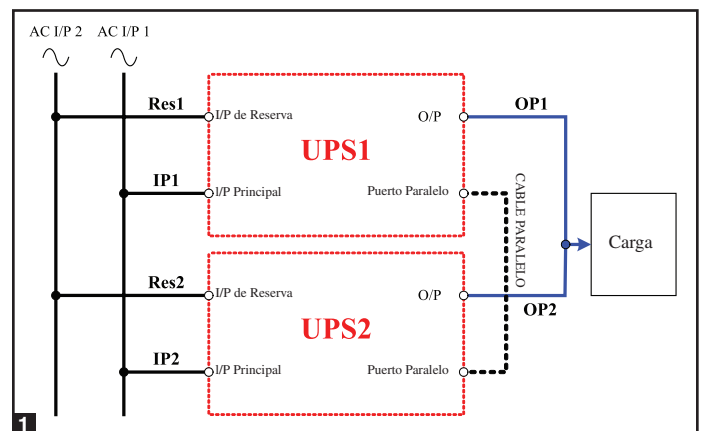


7-9 Cableado de la Entrada/Salida CA (UPS en Paralelo – Fuentes de entrada doble)

Advertencias del UPS en instalación paralela:

- La longitud total del cable de entrada debe ser igual a la longitud total del cable de salida a fin de prevenir la distribución desequilibrada de la carga entre los dos sistemas UPS en modo de reserva (i.e. $Res1 + OP1 = Res2 + OP2$; la desviación debe ser $<10\%$).
- La configuración paralela solamente soporta 2 sistemas UPS (1+1 de redundancia o capacidad). No intente conectar más de dos sistemas UPS mediante una configuración paralela.
- Los sistemas UPS deben tener igual régimen y capacidad para la instalación UPS en paralelo. Al intentar conectar sistemas UPS que no sean iguales estos pueden resultar dañados y crear un riesgo grave de lesiones personales y daños materiales.
- Cada UPS debe tener su grupo paralelo fijado en 2 y una “ID de paralelo” diferente que indique que los sistemas UPS se están utilizando en paralelo. (En la [Sección 10-5-5](#) encontrará más información).

- 1 Siga los pasos en la [Sección 7-7](#), Cableando los sistemas UPS, como se muestra en el diagrama.
- 2 Conecte el cable UPS paralelo incluido **A** al puerto paralelo **B** de cada sistema UPS.

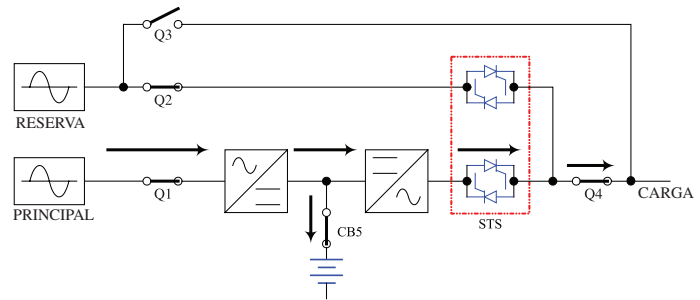


8 – Modos de Operación

Esta sección proporciona una descripción básica de los modos de operación del sistema UPS. Para una mayor información sobre como cambiar de modos de operación, refiérase a la [Sección 9 – Arranque, Apagado y Derivación](#).

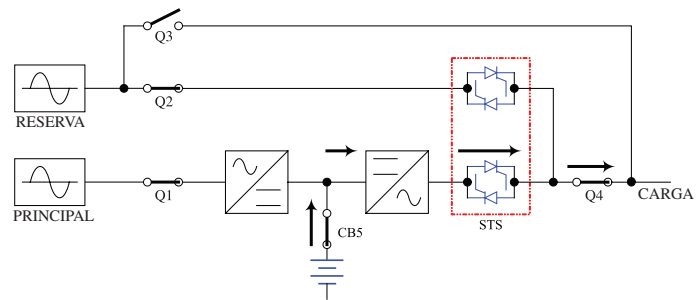
8-1 Modo En Línea (Normal) (Un Solo UPS)

En modo en línea (normal), el rectificador del sistema UPS convierte la energía CA entrante del servicio público a energía CC que carga las baterías y alimenta al inversor. El inversor transforma la energía CC en energía CA de precisión regulada y de onda sinusoidal pura que soporta la operación del equipo conectado. Esta tecnología de doble conversión aísla al equipo conectado de todos los problemas de energía y asegura que el equipo conectado la energía ideal todo el tiempo.



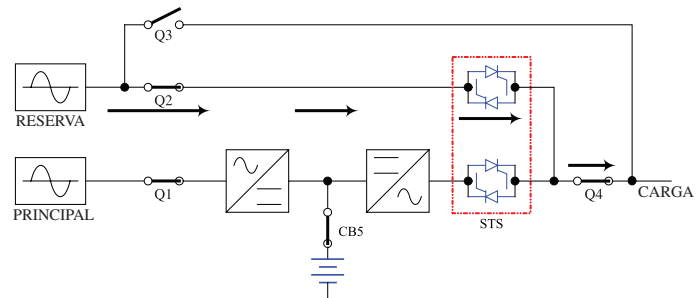
8-2 Modo de Respaldo (Un Solo UPS)

Cuando ocurre un apagón o cualquier otro problema de energía extremo, el sistema UPS automáticamente cambia de modo normal a modo de respaldo. Las baterías del sistema UPS (internas y/o externas) suministran energía CC de emergencia al inversor. El inversor convierte la energía CC en energía CA de precisión regulada y de onda sinusoidal pura que respalda la operación del equipo conectado.



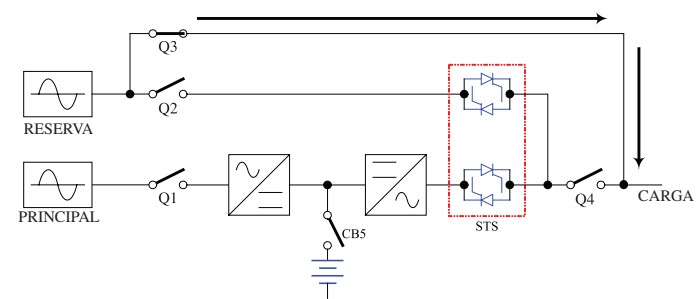
8-3 Modo de Derivación Automática (Un Solo UPS)

Si el inversor funciona mal debido a temperatura excesiva, sobrecarga, corto circuito de salida, voltaje anormal o problemas con la batería, el inversor se apagará. Si el sistema UPS detecta una fuente de energía derivada (reserva) que se ajuste a los parámetros normales, el sistema UPS automáticamente cambiara a modo de derivación automática para continuar alimentando de energía al equipo conectado. Cuando todos los problemas hayan sido eliminados, el sistema UPS regresa al modo en línea (normal) automáticamente.



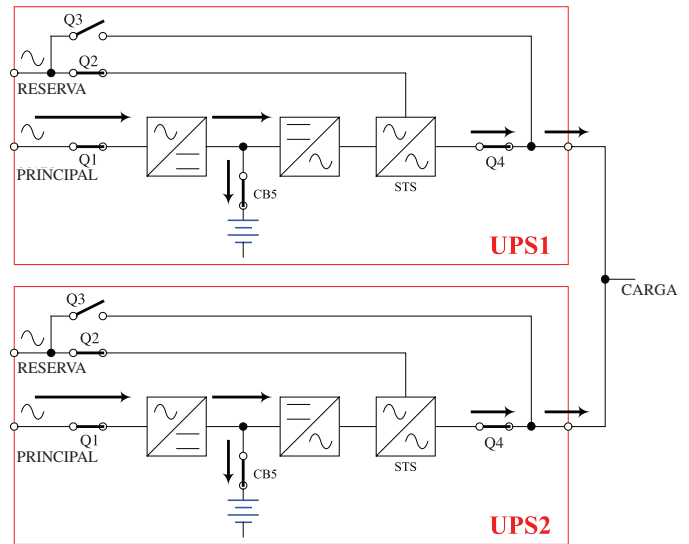
8-4 Modo de Derivación Manual (Un Solo UPS)

Si se requiere dar mantenimiento o reparar al sistema UPS, puede derivar el sistema UPS manualmente. Después de confirmar que existe energía en derivación, detenga el inversor oprimiendo el botón OFF y contestando "SI" a la pregunta "¿Transferir a Modo en Derivación?" (esto transfiere al UPS a la derivación estática), conmute después el sistema UPS al modo de derivación manual. (Para el procedimiento completo de derivación manual, consulte la [Sección 9-5.](#)) Esto permite a los técnicos de servicio efectuar los trabajos de mantenimiento o reparación sin interrumpir el flujo de de energía CA al equipo conectado. **Advertencia: El sistema UPS debe desactivarse completamente antes de efectuar cualquier mantenimiento o reparación apagándola completamente después de cambiar a modo de derivación manual.**



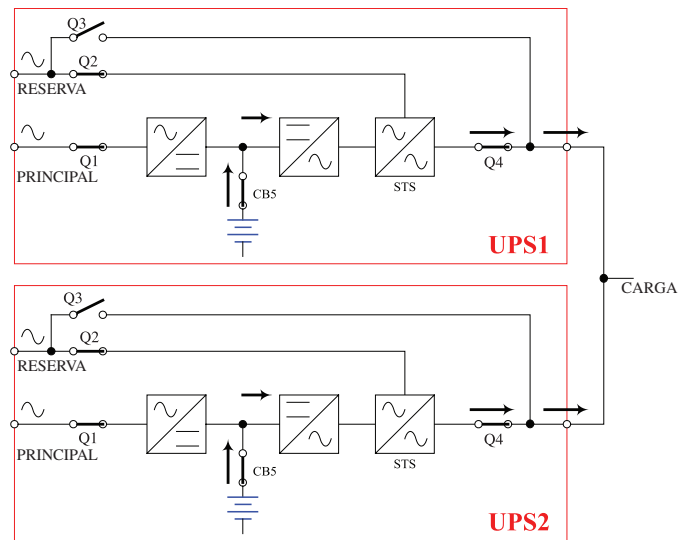
8-5 Modo En Línea (UPS en Paralelo)

La redundancia en paralelo (1+1) proporciona redundancia del sistema UPS o un incremento en su capacidad total. Bajo redundancia en paralelo, la carga total es compartida por los dos sistemas UPS. Si uno de los sistemas UPS falla, la carga total de los equipos conectados es soportada por el sistema UPS que queda. Si la carga total excede la capacidad del sistema UPS que queda, cambiará a modo de derivación automático.



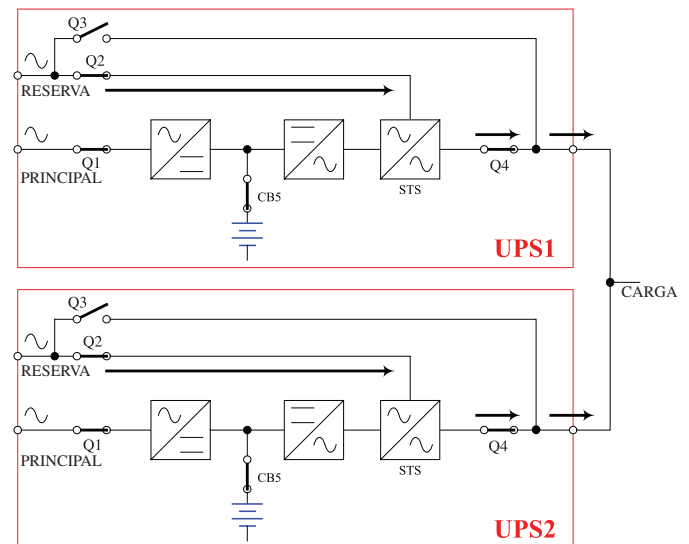
8-6 Modo de Respaldo (UPS en Paralelo)

Es similar al Modo de Respaldo para un solo sistema UPS (Sección 8-2), excepto que la carga total del equipo conectado es compartida por los sistemas UPS en paralelo (1+1).



8-7 Modo de Derivación Automática (UPS en Paralelo)

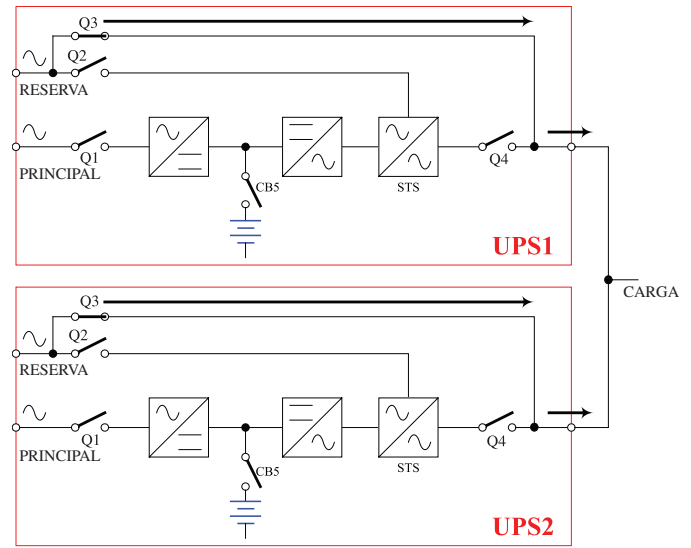
Es similar al Modo de Derivación Automática para un solo sistema UPS (Sección 8-3), excepto que con sistemas UPS en paralelo (1+1).



8 – Modos de Operación (continuación)

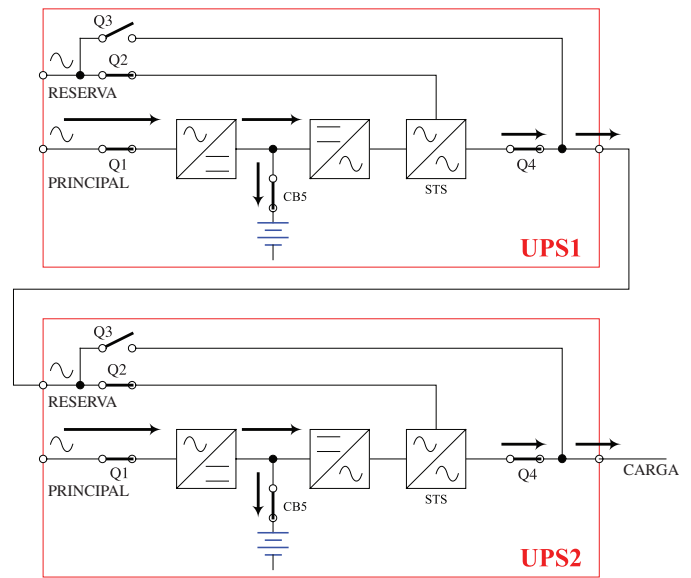
8-8 Modo de Derivación Manual (UPS en Paralelo)

Es similar al Modo de Derivación Manual para un solo sistema UPS (Sección 8-4), excepto que con sistemas UPS en paralelo (1+1). *Nota:* Ambos sistemas UPS deben estar en Modo de Derivación Manual.



8-9 Modo Hot Standby (UPS en Paralelo)

Para mayor tolerancia a fallas, el sistema UPS redundante actúa como la fuente de energía derivación (reserve) para el sistema UPS principal.

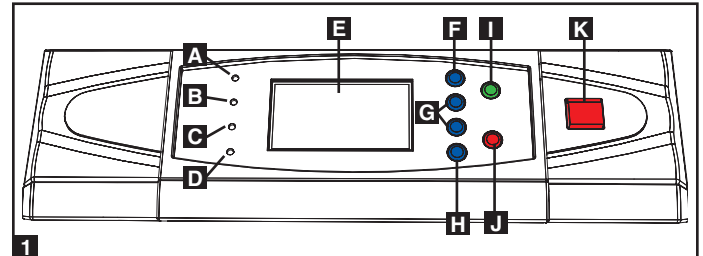


9 – Arranque, Apagado y Derivación

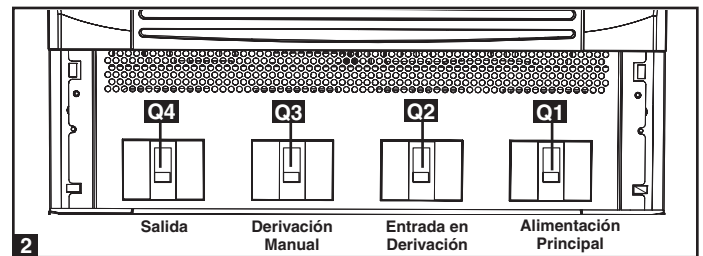
Advertencia: El voltaje de salida del sistema UPS está predeterminado a 220/380V. Si requiere un voltaje de salida de 230/400V ó 240/415V, debe cambiar el voltaje de salida del sistema UPS accediendo al menú de configuración de salida descrito en la [Sección 10-5-2](#). Debe colocar el sistema UPS en el modo en derivación antes de cambiar el voltaje de salida. No conecte su equipo a la salida del sistema UPS hasta que haya establecido los parámetros correctos.

9-1 Diagramas de Panel de Control y los Breakers

- A** LED “NORMAL”
- B** LED “BATTERY” (batería)
- C** LED “BYPASS” (derivación)
- D** LED “FAULT” (falla)
- E** Pantalla LCD de Estado
- F** Botón “ESC” (Escape)
- G** Botones de Desplazamiento de la Pantalla (▲ y ▼)
- H** Botón Enter (↵)
- I** Botón ON (encendido)
- J** Botón OFF (apagado)
- K** Botón "EPO", (Emergency Power Off [Apagado de Emergencia])
- Q1** Breaker del Circuito de Alimentación Principal
- Q2** Breaker de Derivación de la Alimentación
- Q3** Breaker de la Derivación Manual
- Q4** Breaker del Circuito de Salida



Panel de Control



Breakers (Panel Frontal del Sistema UPS)

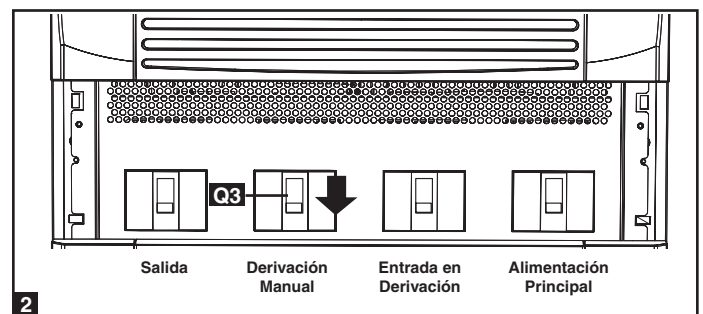
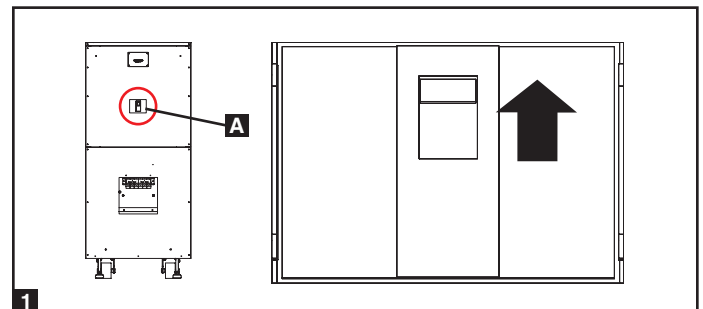
9-2 Lista Preliminar de Comprobación (Un solo UPS)

- Todos los breakers deben estar apagados, incluyendo el breaker del gabinete de la batería externa (si lo hay).
- Confirme que no exista voltaje potencial entre Neutro y Tierra.
- Confirme que la fuente de alimentación concuerde con la especificación (voltaje, frecuencia y fases) del sistema UPS.

Nota: Después del arranque, el sistema UPS realizará un breve autodiagnóstico y mostrará los resultados en la pantalla LCD. Después de un autodiagnóstico exitoso, el sistema UPS proporcionará energía de CA a la carga del equipo conectado.

9-3 Procedimiento Estándar de Arranque (Un solo UPS)

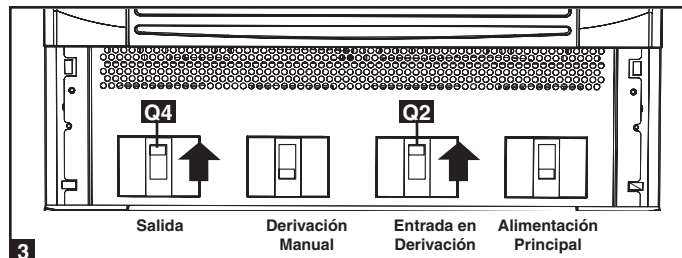
- 1** Si hay un conectado un gabinete de batería externa, encienda el breaker **A** del gabinete de batería externa. En el SU20KX o SU40KX, encienda el breaker de la batería en la parte posterior del UPS.
- 2** Confirme que el breaker del circuito de derivación **Q3** esté apagado.



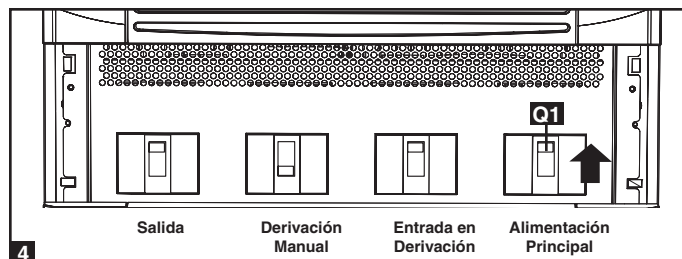
9 – Arranque, Apagado y Derivación (continuación)

9-3 Procedimiento Estándar de Arranque (Un solo UPS) (continuación)

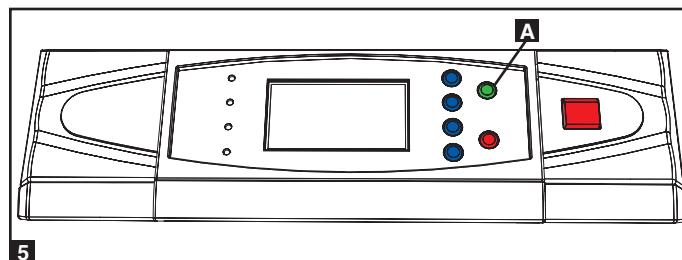
3 Encienda el breaker de alimentación en derivación **Q2** y después el breaker del circuito de salida **Q4**. Después de un breve proceso de inicio, la pantalla LCD mostrará “ON AUTO BYPASS”, se encenderá el LED “BYPASS” y la salida del sistema UPS será alimentada por la fuente de alimentación de la derivación (reserva).



4 Encienda el breaker del circuito de alimentación principal **Q1**. Si la fuente de alimentación de CA está normal, el sistema UPS está listo para arrancar.



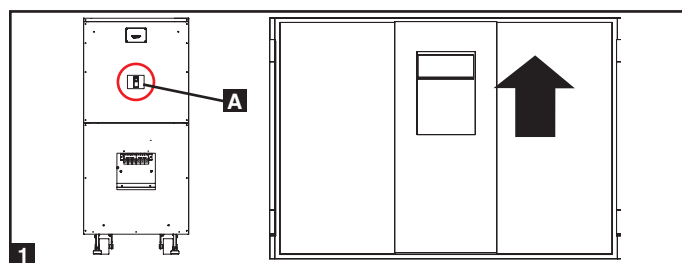
5 Oprima el botón ON **A** durante 3 segundos (hasta escuchar un bip), después suelte el botón. El inversor se activará y sincronizará con la fuente en derivación, entonces cambiará automáticamente desde el modo en derivación automática (reserva) al modo en línea (normal). El LED “BYPASS” se apagará y se encenderá el LED “NORMAL”.



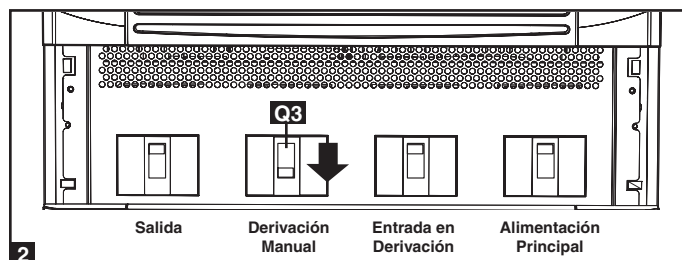
9-3 Procedimiento de Arranque por Batería (Un solo UPS)

Nota: Para llevar a cabo esta operación, la batería debe estar cargada al menos parcialmente.

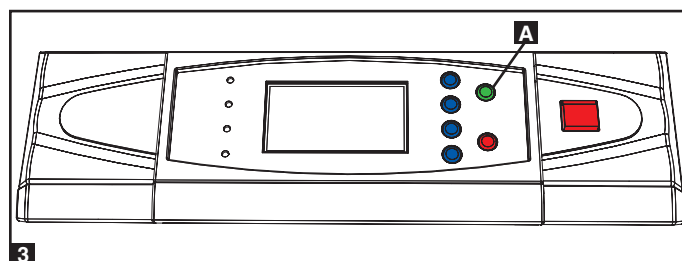
1 Si hay un conectado un gabinete de batería externa, encienda el breaker **A** del gabinete de batería externa. En el SU20KX o SU40KX, encienda el breaker de la batería en la parte posterior del UPS.



2 Confirme que el breaker del circuito de derivación **Q3** esté apagado.



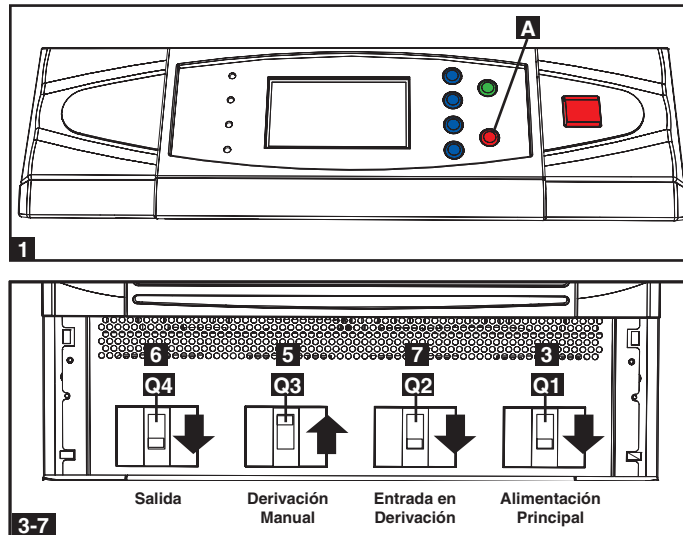
3 Oprima el botón ON **A** durante 3 segundos (hasta escuchar un bip), después suelte el botón. Se activará el inversor y usará energía CD almacenada en la batería para alimentar CA al equipo conectado. Se encenderá el LED “BATTERY”.



9-5 Procedimiento de Derivación Manual (Un solo UPS)

Advertencia: El colocar el sistema UPS en derivación manual desactivará el inversor y alimentará todas las cargas desde la fuente de la derivación manual (reserva), pero el sistema UPS aún continuará energizado. Antes de ejecutar el mantenimiento o reparación en el sistema UPS, apague y desenergice completamente el sistema UPS siguiendo los pasos en la Sección 9-6. Aunque las cargas del equipo conectado estarán energizadas por la fuente de energía en derivación (reserva), no recibirán respaldo por batería en caso de una falla de energía de la red pública.

- 1** Si el UPS está en modo NORMAL (LED verde encendido, el LCD muestra “Carga Protegida – Modo En Línea”), usted debe detener el inversor oprimiendo y sosteniendo el botón rojo de apagado (“O”) **A** hasta que el UPS emita un bip, entonces suelte el botón y conteste “SÍ” a la pregunta “¿Transferir a Modo en Derivación?”. El UPS debe transferirse a Derivación.
- 2** Confirme que el UPS esté en modo de BYPASS (Derivación) (El LED ámbar de derivación está encendido; el LCD muestra “Carga No Protegida – En Derivación Automática”). No proceda si no está en modo de BYPASS (Derivación).
- 3** Apague el breaker de la ALIMENTACIÓN PRINCIPAL **Q1**.
- 4** Espere hasta que se apaguen los ventiladores del Módulo de Potencia (esto puede tomar uno o dos minutos), apague entonces el breaker de la batería. En la unidad de 40K, el breaker DE LA BATERÍA (para la batería interna) está en la parte posterior del UPS; en las unidades de 60K y 80K, el breaker DE LA BATERÍA está en la parte posterior del gabinete de batería correspondiente. *Nota: Algunos gabinetes de baterías externas pueden tener el breaker DE LA BATERÍA detrás de la puerta frontal o en otro lado.*
- 5** Encienda el breaker del circuito de DERIVACIÓN MANUAL **Q3**. El LCD mostrará “Carga No Protegida – En Derivación Manual” y se escuchará una alarma acústica.
- 6** Apague el breaker de la SALIDA **Q4**.
- 7** Apague el breaker de la ALIMENTACIÓN EN DERIVACIÓN **Q2**. El LCD de la unidad se borrará después de algunos segundos.
- 8** La carga crítica es ahora soportada por la energía de la red pública sin acondicionar.

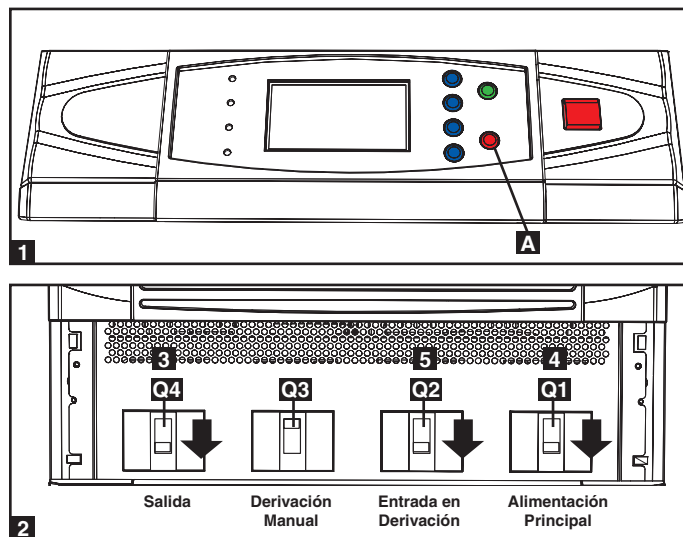


9-6 Procedimiento de Apagado (Un solo UPS)

Advertencia: El procedimiento de apagado del sistema UPS eliminará la salida de CA para todas las cargas. Antes de apagar, confirme que todas las cargas estén apagadas o coloque el sistema UPS en modo de derivación manual para mantener energizadas las cargas por la fuente de energía de reserva (derivación).

- 1** Si el UPS está en modo NORMAL (LED verde encendido, el LCD muestra “Carga Protegida – Modo En Línea”), usted debe detener el inversor oprimiendo y sosteniendo el botón rojo de apagado **A** hasta que el UPS emita un bip, entonces suelte el botón. El UPS debe transferirse a Derivación.
- 2** Confirme que el UPS esté en DERIVACIÓN (El LED ámbar de derivación está encendido; el LCD muestra “Carga No Protegida – En Derivación Automática”). No proceda si no está en modo de Derivación.
- 3** Apague el breaker de la SALIDA **Q4**.
- 4** Apague el breaker de la ALIMENTACIÓN PRINCIPAL **Q1**.
- 5** Apague el breaker de DERIVACIÓN de la UNIDAD **Q2**.
- 6** Espere hasta que se apaguen los ventiladores del Módulo de Potencia y se borre el LCD (esto puede tomar uno o dos minutos), apague entonces el breaker de la BATERÍA (en las unidades SU20KX y SU40KX el breaker de la BATERÍA está en la parte posterior del UPS, en las unidades SU60KX y SU80KX el breaker de la BATERÍA está en la parte posterior del gabinete de la batería).

Nota: Si el sistema UPS permanece apagado por un período prolongado, debe encenderse para permitir recargar las baterías. Debe encenderse el UPS y recargarse las baterías por un período de al menos 24 horas ininterrumpidas cada 3 meses. El no cargar las baterías periódicamente puede causar un daño irreversible a la batería.

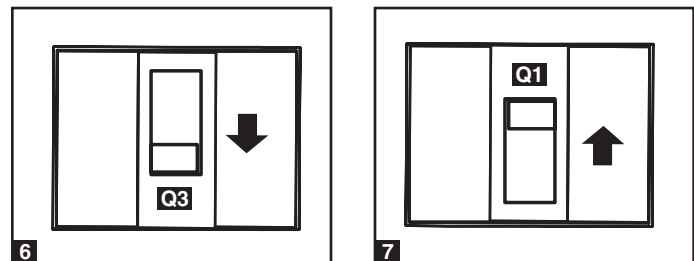
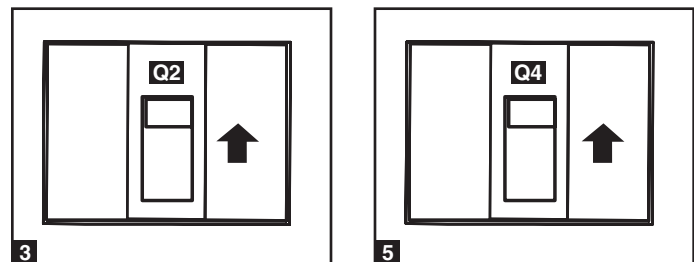
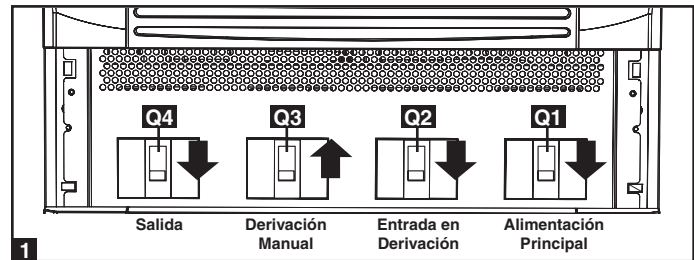


9 – Arranque, Apagado y Derivación (continuación)

9-6 Procedimiento de Apagado (Un solo UPS) (continuación)

Para transferir la carga crítica al modo NORMAL desde la Derivación Manual:

- 1 Confirme que el UPS esté en DERIVACIÓN MANUAL (el breaker del circuito de DERIVACIÓN MANUAL **Q3** está ENCENDIDO; los breakers de SALIDA **Q4**, ENTRADA EN DERIVACIÓN **Q2** y ENTRADA PRINCIPAL **Q1** están APAGADOS).
- 2 Encienda el breaker de la BATERÍA (en las unidades SU20KX y SU40KX el breaker de la BATERÍA está en la parte posterior del UPS, en las unidades SU60KX y SU80KX el breaker de la BATERÍA está en la parte posterior del gabinete de la batería).
- 3 Encienda el breaker del circuito de ENTRADA EN DERIVACIÓN **Q2** (El LED ámbar de la derivación debe encenderse y el LCD mostrará “Carga no Protegida - en Derivación Manual”).
- 4 Confirme que el LED ámbar de derivación esté encendido. No proceda si no está en encendido.
- 5 Encienda el breaker de la SALIDA **Q4**.
- 6 Apague el breaker del circuito de DERIVACIÓN MANUAL **Q3**. El LCD mostrará “Carga No Protegida - En Derivación Automática”.
- 7 Encienda el breaker de la ALIMENTACIÓN PRINCIPAL **Q1**. Se apagarán los ventiladores del Módulo de Potencia.
- 8 Oprima y sostenga el botón verde de encendido hasta que el UPS emita un bip, entonces suelte el botón. El UPS realizará un autodiagnóstico y el LCD mostrará “Autodiagnóstico”. Después de completado el autodiagnóstico del UPS, éste transferirá al modo NORMAL (LED verde encendido y el LCD muestra “Carga Protegida-Modo En Línea”).
- 9 Confirme que no haya alarmas activas (“!” en la pantalla y bip audible). Si hay una alarma, oprima las flechas UP y DOWN para mostrar la alarma activa. Corrija la acción según se requiera.
- 10 Navegue en el Menú de Medición y confirme que todas las lecturas de energía de entrada y salida estén dentro de las especificaciones recomendadas.
- 11 Si se nota cualquier problema, póngase en contacto con personal de soporte técnico para asistencia adicional.
- 12 La carga crítica es ahora soportada por la energía acondicionada de respaldo de la batería.



9-7 Lista Preliminar de Comprobación (UPS en paralelo)

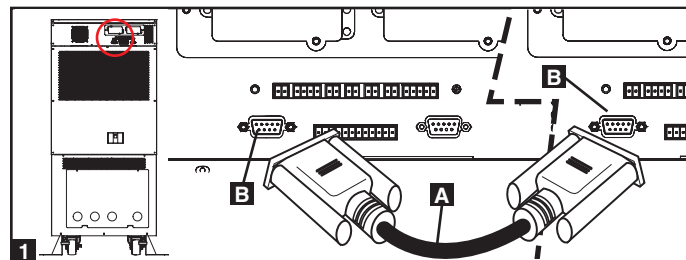
Advertencia: La configuración en paralelo requiere exactamente dos sistemas UPS (capacidad o redundancia 1+1). No intente enlazar más de dos sistemas UPS mediante la configuración en paralelo. Los sistemas UPS deben tener la misma especificación y capacidad para instalación en paralelo de UPS. El intento de enlazar sistemas UPS no similares dañará los sistemas UPS y creará un riesgo severo de lesiones personales y daño a la propiedad.

- Todos los breakers deben estar apagados, incluyendo los breakers de los gabinetes de baterías externas.
- Confirme que no exista voltaje potencial entre Neutro y Tierra.
- Confirme que la fuente de alimentación concuerde con la especificación (voltaje, frecuencia y fases) de los sistemas UPS.
- Cada UPS debe tener una “Parallel ID” diferente que indique que los sistemas UPS están trabajando en paralelo. Ver [Sección 10-5-5](#) para más detalles.

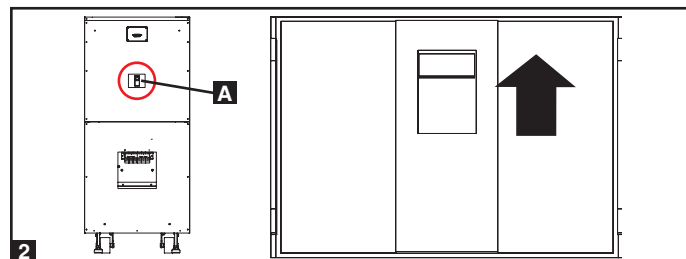
Nota: Después del arranque, los sistemas UPS realizarán un breve autodiagnóstico y muestran los resultados en la pantalla LCD. Después de un autodiagnóstico exitoso, los sistemas UPS proporcionarán energía de CA a la carga del equipo conectado.

9-8 Procedimiento de Arranque (UPS en paralelo)

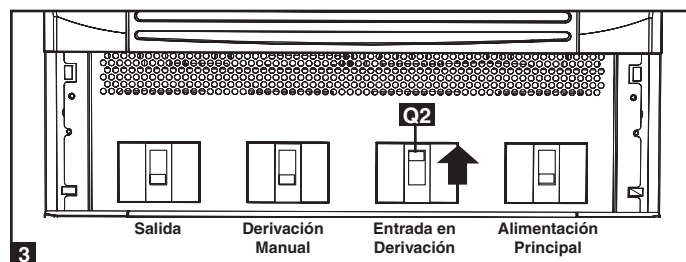
1 Conecte el cable de configuración en paralelo **A** al puerto DB9 de configuración en paralelo **B** de cada sistema UPS. *Nota: Antes de arrancar el sistema UPS en paralelo, cerciórese que la “Parallel ID” sea diferente para cada UPS y esté establecido el grupo paralelo. (Ver Sección 10-5-5 para más detalles.*



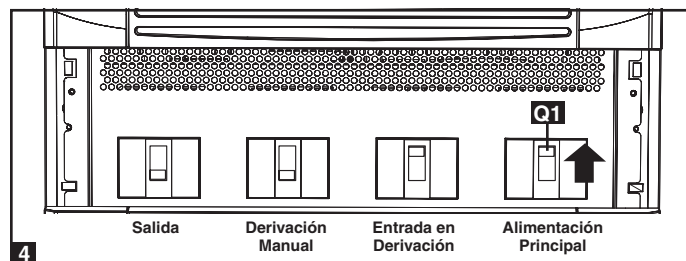
2 Si el sistema UPS tiene conectados gabinetes de baterías externas, encienda el breaker **A** del gabinete de baterías externas de cada módulo de baterías. En el SU20KX o SU40KX, encienda el breaker de la batería en la parte posterior del UPS.



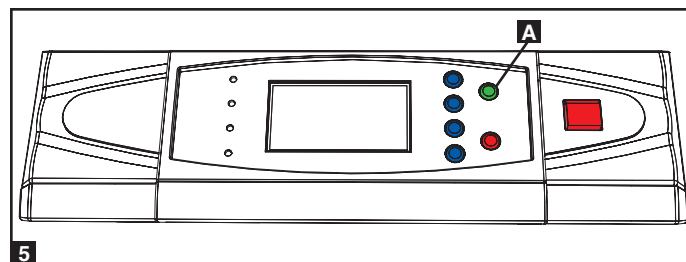
3 Encienda el breaker del circuito de derivación **Q2** de cada sistema UPS. Después de un breve proceso de inicio, la pantalla LCD mostrará “ON AUTO BYPASS” y se encenderá el LED “BYPASS”.



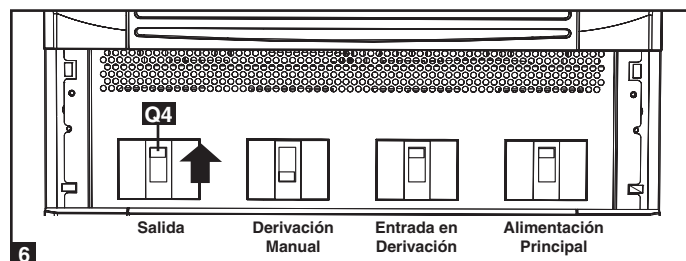
4 Encienda el breaker del circuito de alimentación principal **Q1** de cada sistema UPS.



5 Oprima el botón ON **A** de uno de los sistemas UPS durante 3 segundos (hasta escuchar un bip), después suelte el botón. Se activará el inversor y se sincronizará con la fuente en derivación. Oprima el botón ON para el otro sistema UPS durante 3 segundos (hasta escuchar un bip), después suelte el botón. Cuando el inversor de cada sistema UPS esté operando normalmente, conmutarán automáticamente del modo de derivación automática (reserva) al modo en línea (normal) simultáneamente. El LED “BYPASS” se apagará y se encenderá el LED “NORMAL”.



6 Compruebe el voltaje de salida de cada sistema UPS. La desviación de fase entre cada sistema UPS debe ser inferior a 5V. Si la desviación de fase está dentro del rango aceptable, encienda el breaker de salida **Q4** de cada sistema UPS. *Nota: Para más información sobre la comprobación del voltaje de salida de cada sistema UPS, vea la Sección 10-4.*



9-9 Procedimiento de Apagado (UPS en Paralelo)

Advertencia: El procedimiento de apagado del sistema UPS eliminará la salida de CA para todas las cargas. Antes de apagar, confirme que todas las cargas estén apagadas o coloque los sistemas UPS en modo de derivación manual para mantener energizadas las cargas por la fuente de energía de reserva (derivación).

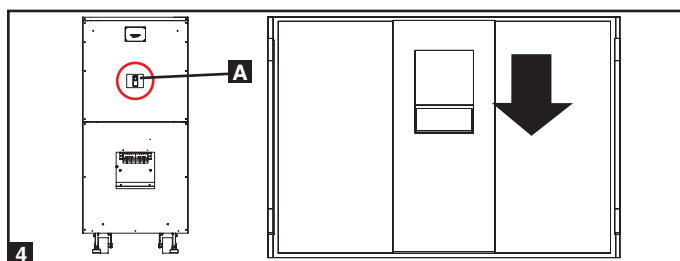
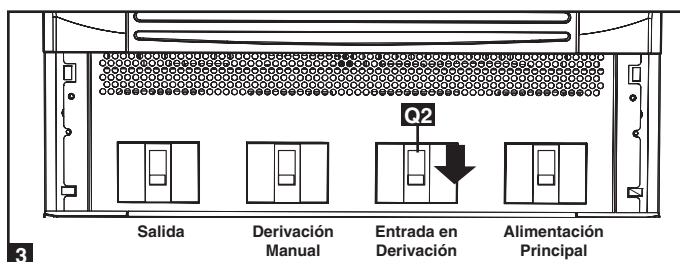
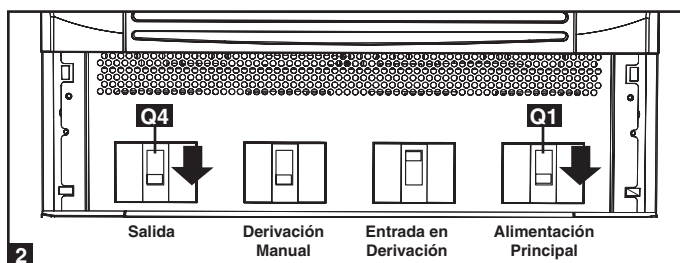
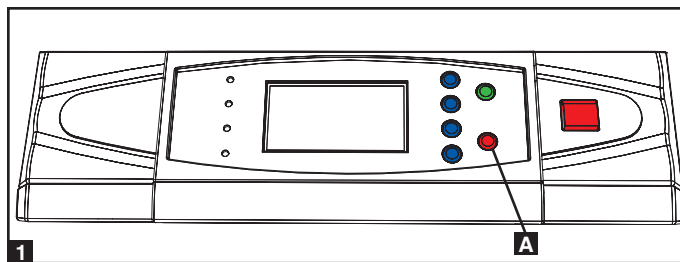
1 Para el sistema UPS que desea apagar, oprima el botón OFF **A** durante 3 segundos (hasta escuchar un bip), después suelte el botón. Si el otro sistema UPS puede soportar solo la carga del equipo conectado, el sistema UPS que fue apagado apagará su inversor y su pantalla LCD indicará “CARGA NO ALIMENTADA”. La pantalla LCD del otro sistema UPS indicará “MODO EN LÍNEA”. Si la carga total del equipo conectado es demasiado grande para ser manejada por un solo sistema UPS, ambos sistemas UPS apagarán sus inversores y conmutarán al modo en derivación y sus pantallas LCD indicarán “EN DERIVACIÓN AUTOMÁTICA”.

2 Para el sistema UPS que desea apagar, apague el breaker de la entrada principal **Q1**, después apague el breaker del circuito de salida **Q4**.

3 Para el sistema UPS que desea apagar, apague el breaker de la entrada en derivación **Q2**.

4 Cuando esté completamente apagado el sistema UPS, la pantalla LCD estará completamente apagada. Si el sistema UPS tiene conectados gabinetes de baterías externas, encienda el breaker **A** del gabinete de baterías externas de cada módulo de baterías. En el SU20KX o SU40KX, apague el breaker de la batería en la parte posterior del UPS.

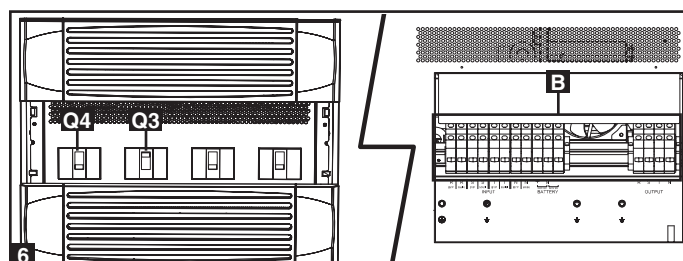
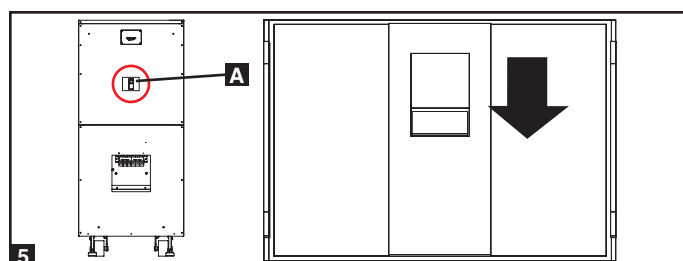
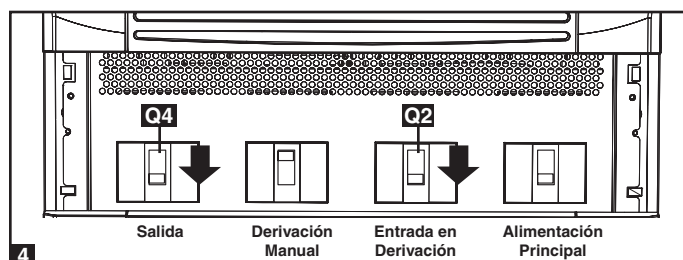
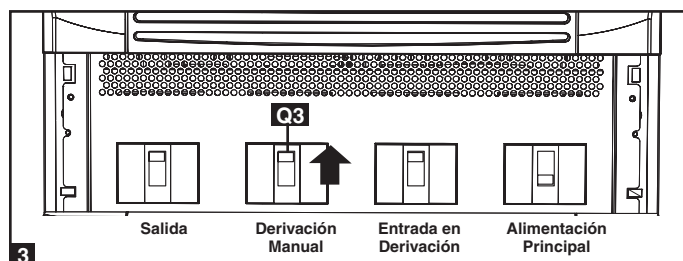
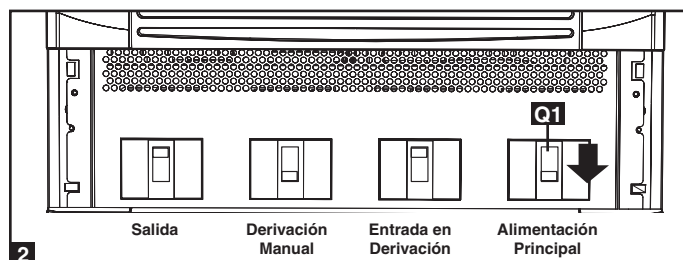
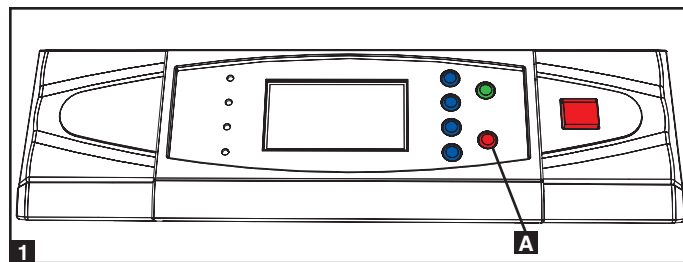
Nota: Si el sistema UPS permanece apagado por un período prolongado, debe encenderse para permitir recargar las baterías. Debe encenderse el UPS y recargarse las baterías por un período de al menos 24 horas ininterrumpidas cada 3 meses. El no cargar las baterías periódicamente puede causar un daño irreversible a la batería.



9-10 Procedimiento de Derivación Manual (UPS en Paralelo)

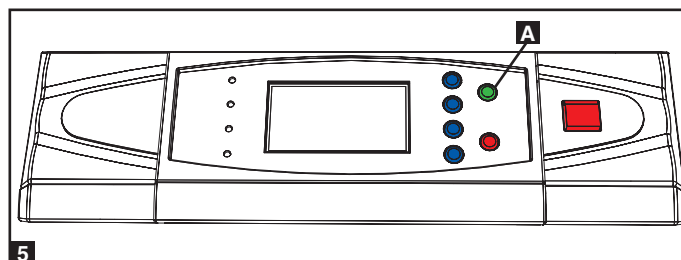
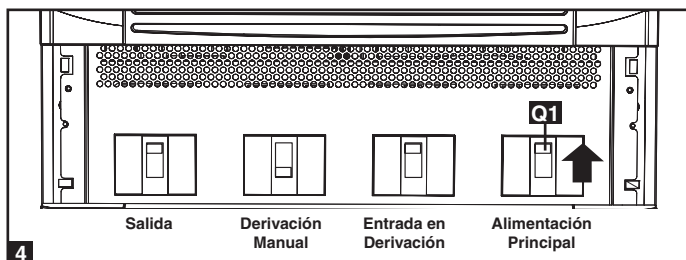
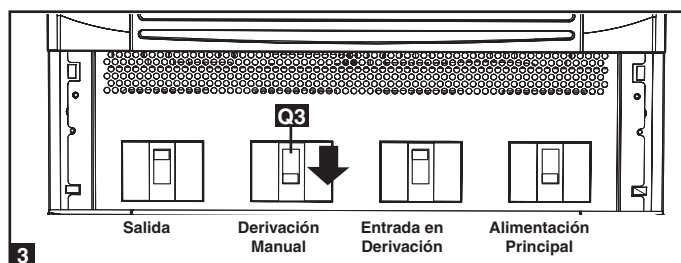
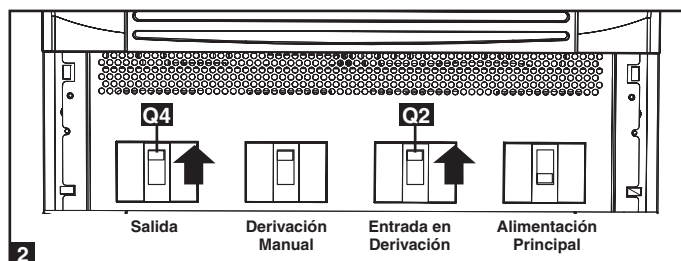
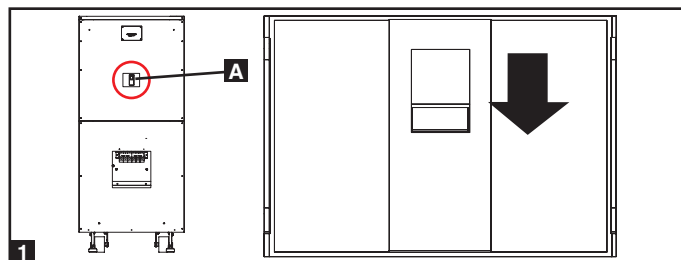
Advertencia: Cuando el sistema UPS está en derivación manual, se apaga el inversor. Las cargas del equipo conectado están energizadas por la fuente de energía en derivación (reserva) y no recibirán respaldo de la batería durante una falla de energía de la red pública.

- 1 Para el primer sistema UPS que desea apagar, oprima el botón OFF **A** durante 3 segundos (hasta escuchar un bip), después suelte el botón. Si el otro sistema UPS puede soportar solo la carga del equipo conectado, el sistema UPS que fue apagado apagará su inversor y su pantalla LCD indicará “CARGA NO ALIMENTADA”. La pantalla LCD del otro sistema UPS indicará “MODO EN LÍNEA”. Si la carga total del equipo conectado es demasiado grande para ser manejada por un solo sistema UPS, ambos sistemas UPS apagarán sus inversores y conmutarán al modo en derivación y sus pantallas LCD indicarán “EN DERIVACIÓN AUTOMÁTICA”. Repita el paso 1 para el segundo sistema UPS que desea apagar.
- 2 Apague el breaker del circuito de alimentación principal **Q1** de cada sistema UPS.
- 3 Confirme que ambos sistemas UPS estén apagados, encienda entonces el breaker del circuito en derivación manual **Q3** de cada sistema UPS. La fuente de energía en derivación (reserva) energizará las cargas y la pantalla LCD indicará “EN DERIVACIÓN MANUAL”.
- 4 Apague el breaker de alimentación en derivación **Q2** y el breaker del circuito de salida **Q4** de cada sistema UPS. La pantalla LCD se apagará completamente.
- 5 Si el sistema UPS tiene conectados gabinetes de baterías externas, encienda el breaker **A** del gabinete de baterías externas de cada módulo de baterías. En el SU20KX o SU40KX, apague el breaker de la batería en la parte posterior del UPS.
- 6 En este modo, sólo la trayectoria de la derivación manual (incluyendo el breaker del circuito en derivación manual **Q3**), las terminales de carga del breaker del circuito de salida **Q4** y el bloque de terminales **B** contienen voltaje peligroso, permitiendo al personal de servicio calificado realizar mantenimiento o reparaciones. *Nota: El personal de servicio calificado puede preferir desenergizar completamente los sistemas UPS, dependiendo de los códigos locales y la naturaleza del mantenimiento o reparación.*



9-11 Conmutación de Modo de Derivación Manual a Normal (UPS en Paralelo)

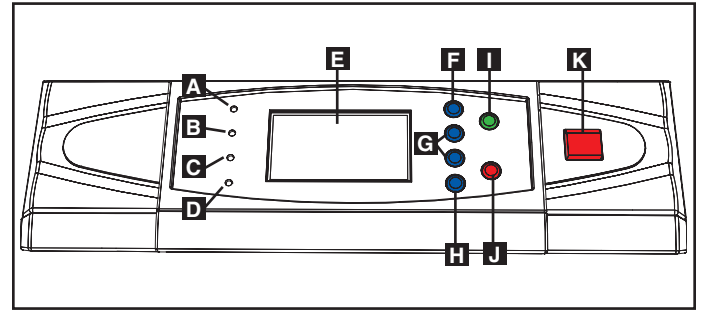
- 1** Si el sistema UPS tiene conectados gabinetes de baterías externas, encienda el breaker **A** del gabinete de baterías externas de cada módulo de baterías. En el SU20KX o SU40KX, apague el breaker de la batería en la parte posterior del UPS.
- 2** Encienda el breaker de alimentación en derivación **Q2** y el breaker del circuito de salida **Q4** de cada sistema UPS.
- 3** Confirme que ambos sistemas UPS estén apagados, apague entonces el breaker del circuito en derivación manual **Q3** de cada sistema UPS. La pantalla LCD indicará ad “EN DERIVACIÓN AUTOMÁTICA”.
- 4** Encienda el breaker del circuito de alimentación principal **Q1** de cada sistema UPS.
- 5** Oprima el botón ON **A** del primer sistema UPS durante 3 segundos (hasta escuchar un bip), después suelte el botón. Oprima el botón ON para el segundo sistema UPS durante 3 segundos (hasta escuchar un bip), después suelte el botón. Cuando el inversor de cada sistema UPS esté operando normalmente, conmutarán automáticamente al modo en línea (normal) simultáneamente.



10 – Pantalla y Configuración

10-1 Diagrama del Panel de Control

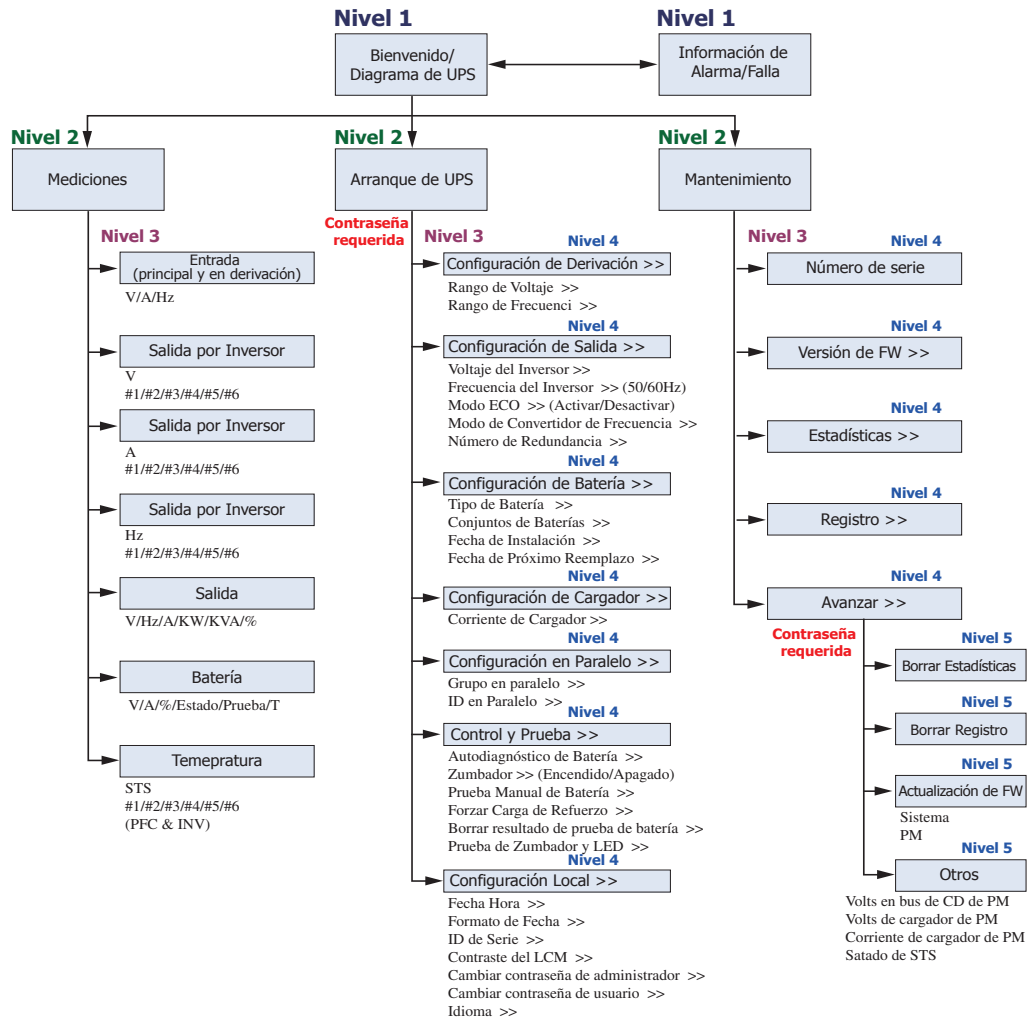
- A** LED “NORMAL” (Verde): Encendido cuando la energía de alimentación al UPS es normal.
- B** LED “BATTERY” [Batería] (Ámbar): Encendido cuando el UPS está en modo de Respaldo por Batería.
- C** LED “BYPASS” [Derivación] (Ámbar): Encendido cuando el UPS está en modo de Derivación Manual.
- D** LED “FAULT” [Falla] (Rojo): Encendido cuando ocurre alguna falla.
- E** Pantalla de Estado de LCD: Pantalla multilingüe.
- F** Botón “ESC” (Escape): Escape/Página Anterior.
- G** Botones de Desplazamiento (▲ y ▼): Desplaza el cursor Arriba o Abajo.
- H** Botón Enter (↵): Confirma las configuraciones.
- I** Botón “ON” [Encendido]: Oprima y sostenga por 3 segundos para arrancar el UPS (enciende el Inversor).
- J** Botón “OFF” [Apagado]: Oprima y sostenga por 3 segundos para apagar el UPS (apaga el Inversor).
- K** Botón “EPO”, [Apagado de Emergencia]: El oprimir el botón EPO retirará completamente la energía de la salida del UPS.



Panel de Control

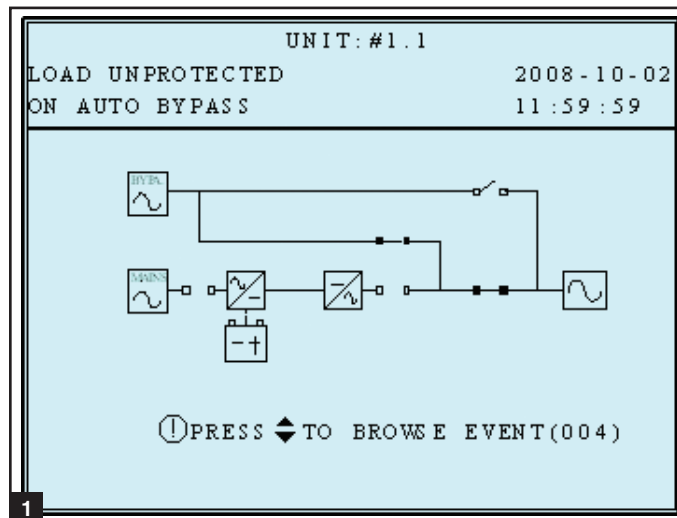
10-2 Jerarquía de Pantalla

El UPS Serie E3 de Tripp Lite cuenta con una pantalla LCD amigable con el usuario para mostrar mensajes y mostrar las pantallas del estado del UPS.

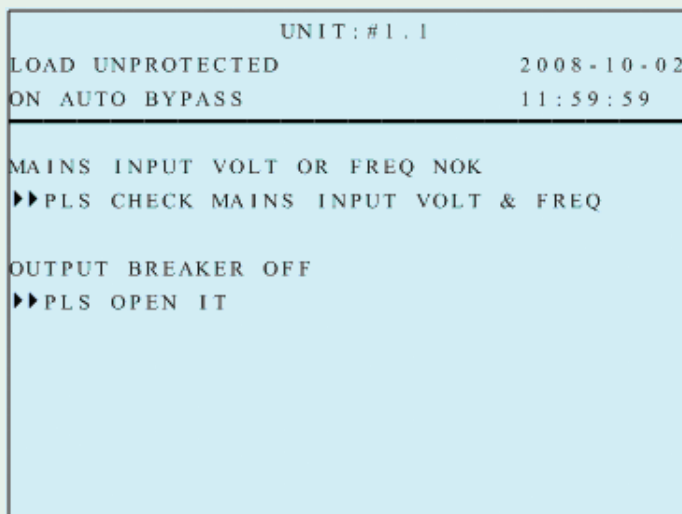


10-3 Pantalla Predeterminada

- 1 Después que arranque el sistema UPS y complete el autodiagnóstico, la pantalla de LCD de estado mostrará la pantalla predeterminada. La pantalla predeterminada incluye un mensaje y diagrama de estado que muestra el estado operacional del sistema UPS.



Cuando ocurra algún evento, usted verá destellando el signo “!”. Puede oprimir “▼” para ver los detalles. Por ejemplo:



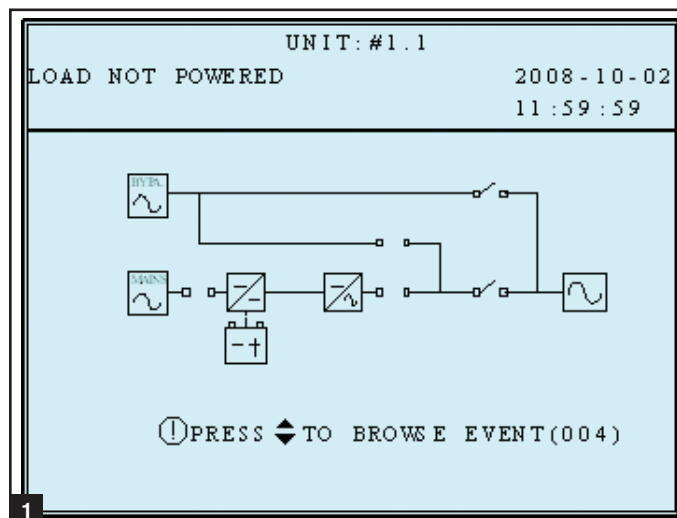
Oprima “▼” nuevamente para ir al siguiente mensaje. Si no hay mensajes adicionales, la pantalla regresará a la pantalla predeterminada.

10-3-1 Pantalla de Estado

- 1 La salida del sistema UPS está apagada y las cargas del equipo conectado no son alimentadas. Esta condición puede deberse a un apagado automático del UPS o apagado manual del breaker de salida.

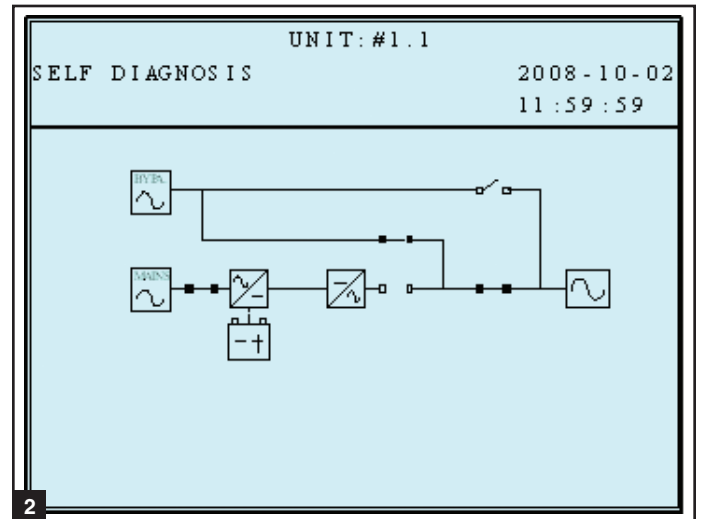
Causas Posibles:

- El UPS se apaga automáticamente por sí solo.
- Apague manualmente el breaker de salida.

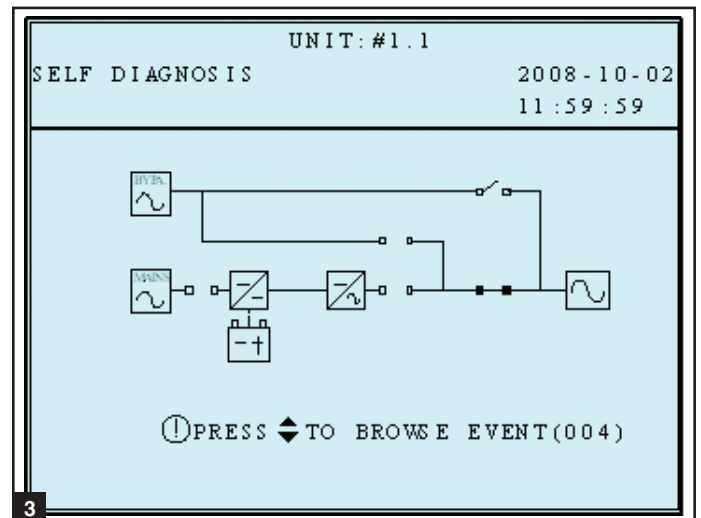


10-3-1 Pantalla de Estado (continuación)

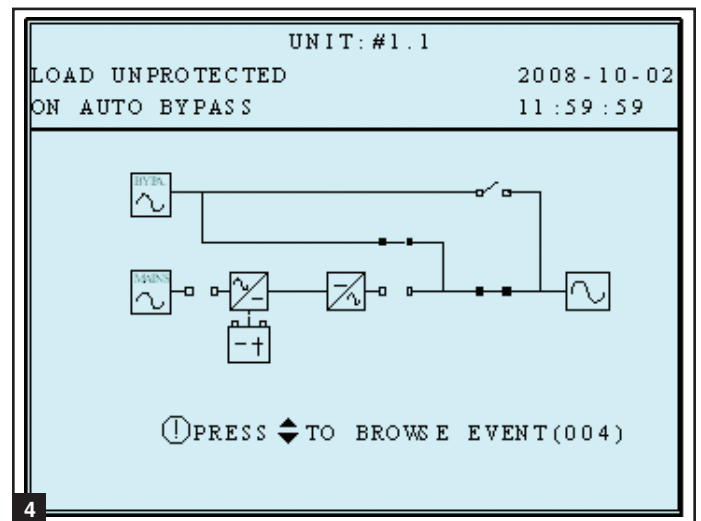
2 Las cargas son alimentadas por la fuente en derivación debido al arranque inicial del UPS.



3 El UPS es arrancando mediante la energía de la batería.

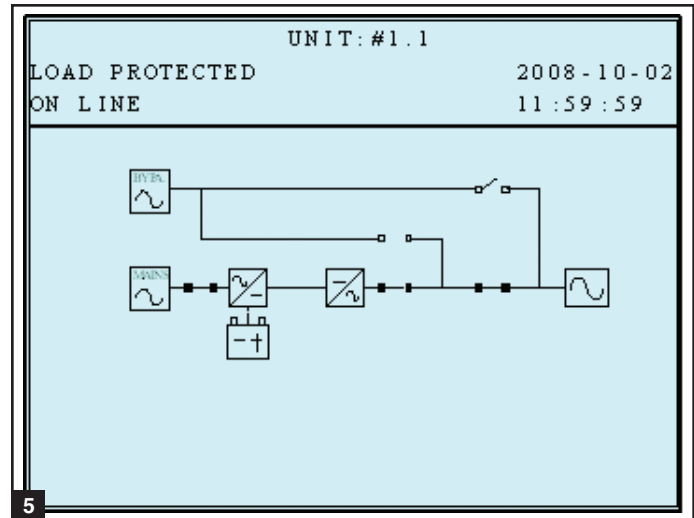


4 El sistema UPS está en modo de derivación automática. Las cargas del equipo conectado perderán energía si falla la fuente de alimentación de la derivación.

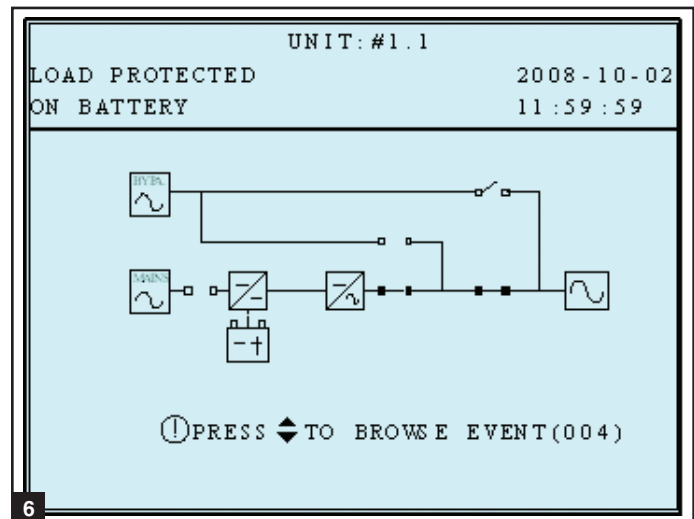


10-3-1 Pantalla de Estado (continuación)

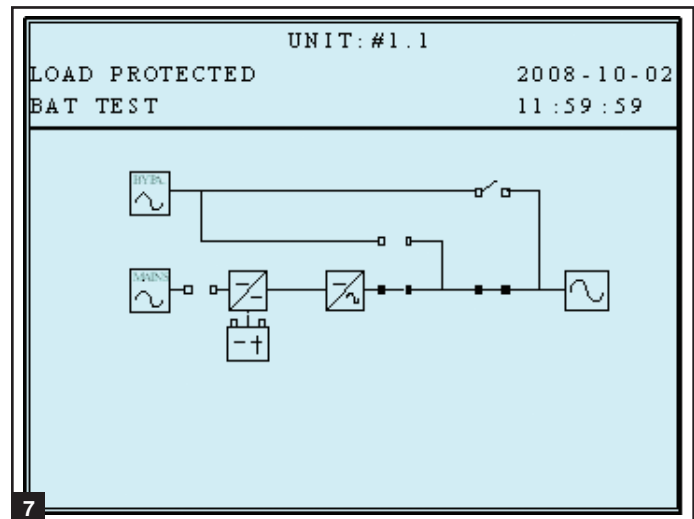
5 El sistema UPS está funcionando en modo en línea (normal). Las cargas del equipo conectado recibirán energía de respaldo de la batería si falla la fuente de energía principal (de la red o de generador).



6 El UPS está en modo de respaldo por batería. Las cargas son alimentadas por energía de la batería.



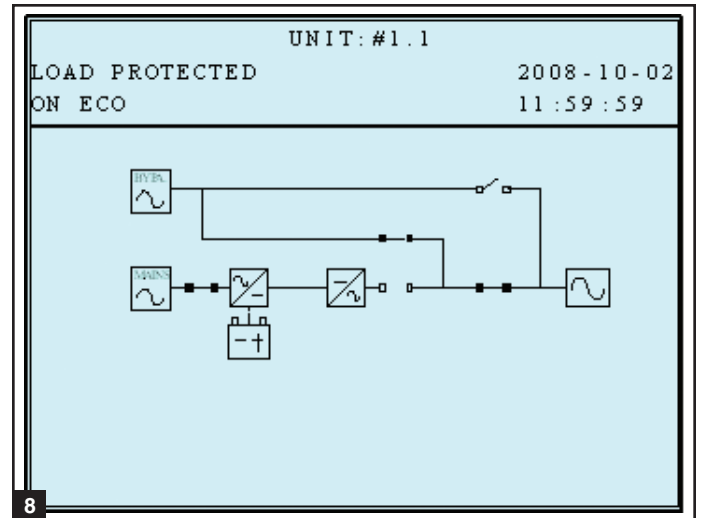
7 El UPS está ejecutando la “prueba de la batería”.



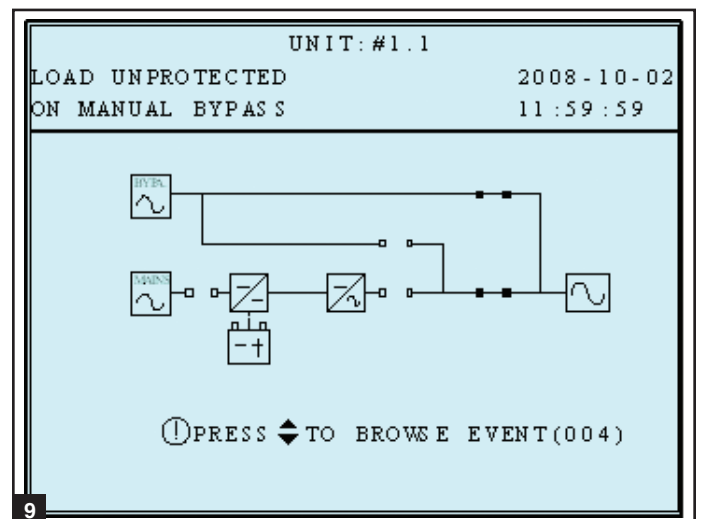
10 – Pantalla y Configuración (continuación)

10-3-1 Pantalla de Estado (continuación)

8 El sistema UPS está funcionando en modo económico y las cargas del equipo conectado están siendo alimentadas por la fuente de la derivación.

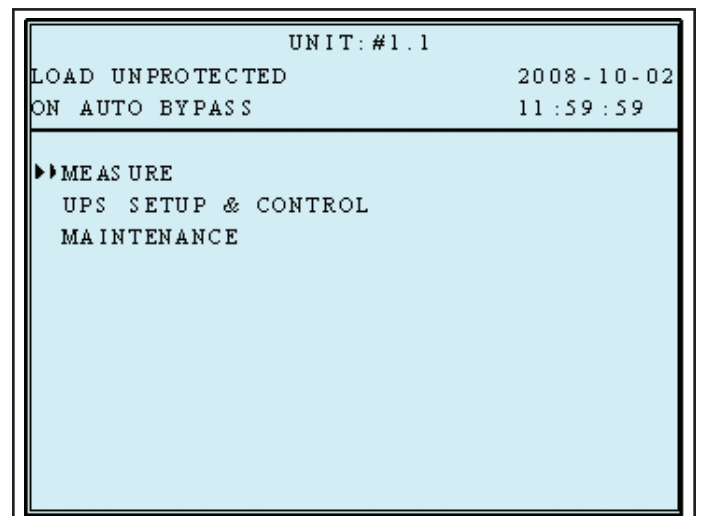


9 El sistema UPS está en modo de derivación manual a fin de permitir que el personal de servicio calificado ejecute el mantenimiento o reparación del sistema UPS. Las cargas del equipo conectado perderán energía si falla la fuente de alimentación de la derivación.



10-4 Menú Principal

Desde la pantalla predeterminada, oprima el botón enter (↵) para acceder al menú principal. Oprima el botón de desplazamiento hacia abajo (▼) o el botón de desplazamiento hacia arriba (▲) para mover el cursor. Oprima el botón enter (↵) para seleccionar una de las opciones de menú disponibles.

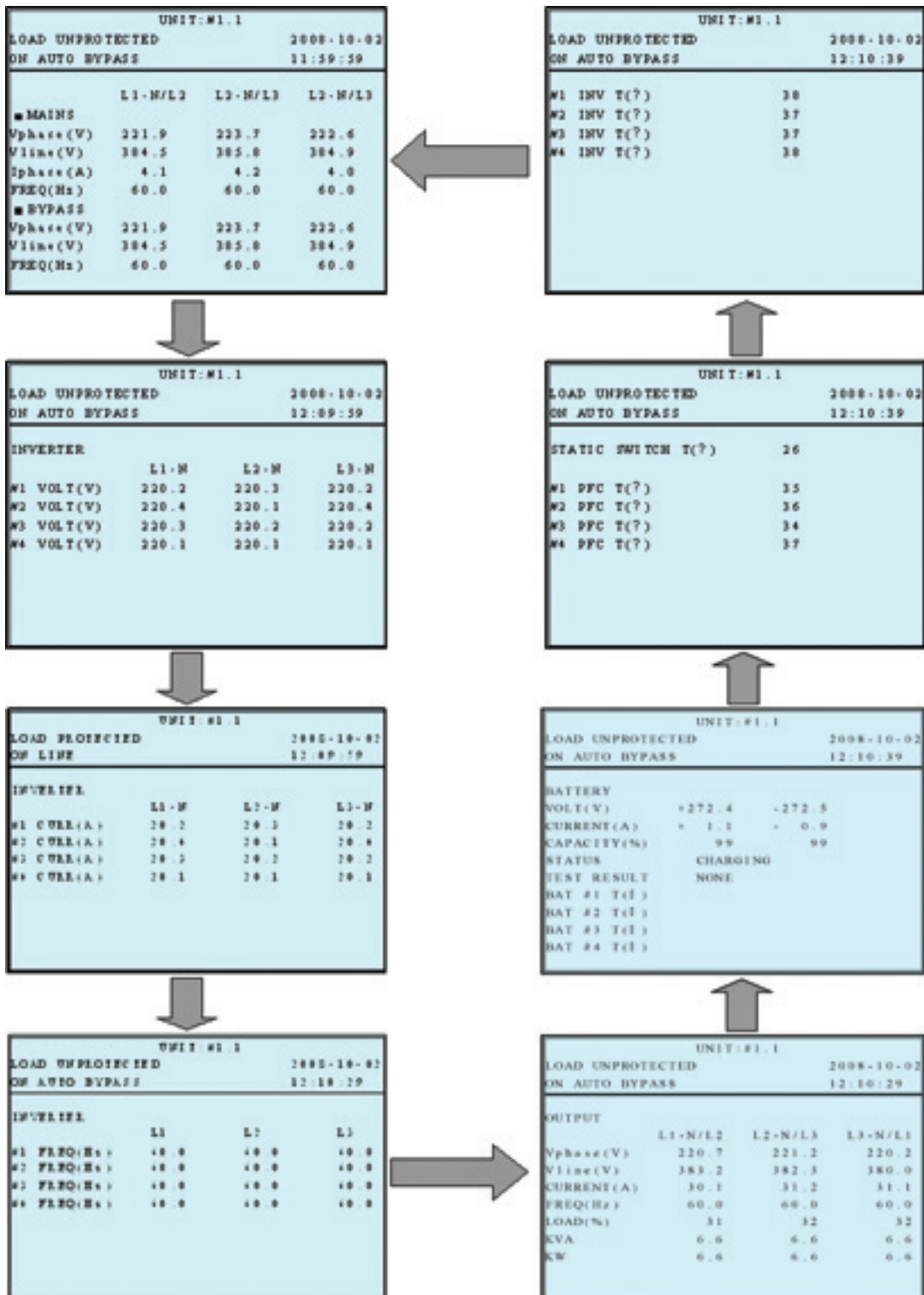


10 – Pantalla y Configuración (continuación)

10-4 Menú Principal (continuación)

“Measure Menu” [Menú de Medición] del Sistema UPS

1. Oprima el botón enter (↵) para seleccionar “MEASURE” en el menú principal.
2. Use los botones de desplazamiento (▲ o ▼) para navegar a través las pantallas de datos. Oprima el botón “ESC” para regresar al menú anterior.



10-5 Configuración del UPS

Antes de cambiar el parámetro de cada CONFIGURACIÓN, debe primero iniciar sesión en el equipo.

- 1 El acceso al menú de configuración del sistema UPS requiere una contraseña. Desde la pantalla de ingreso, oprima el botón enter (↵) para seleccionar si el ingreso es como administrador o como usuario.

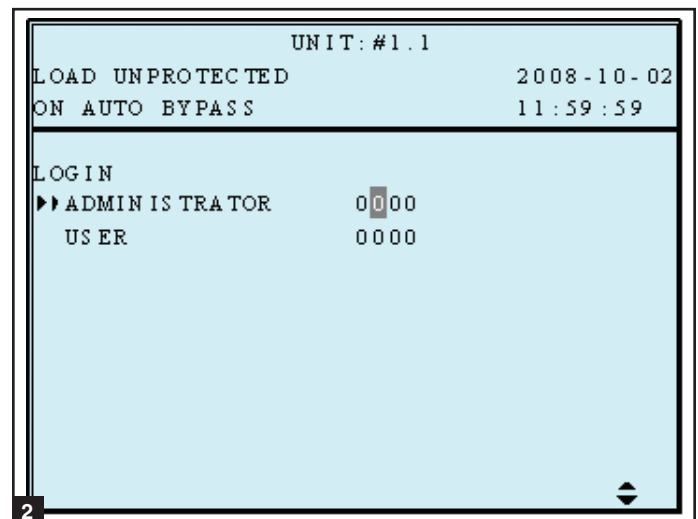
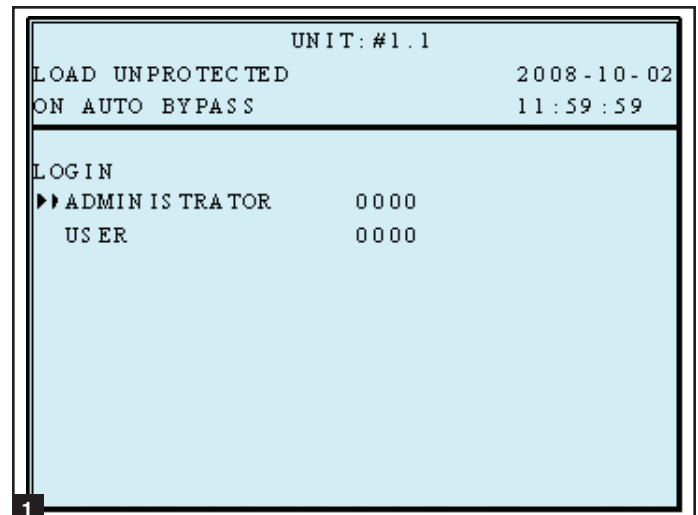
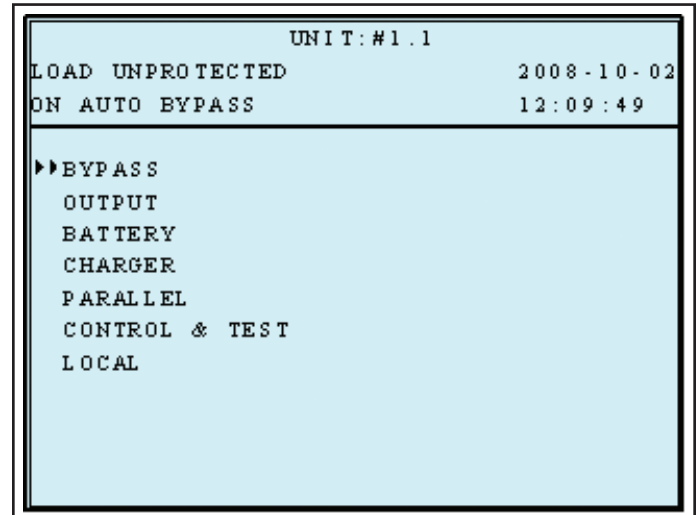
ADMINISTRADOR:

Personal de servicio calificado

Usuario:

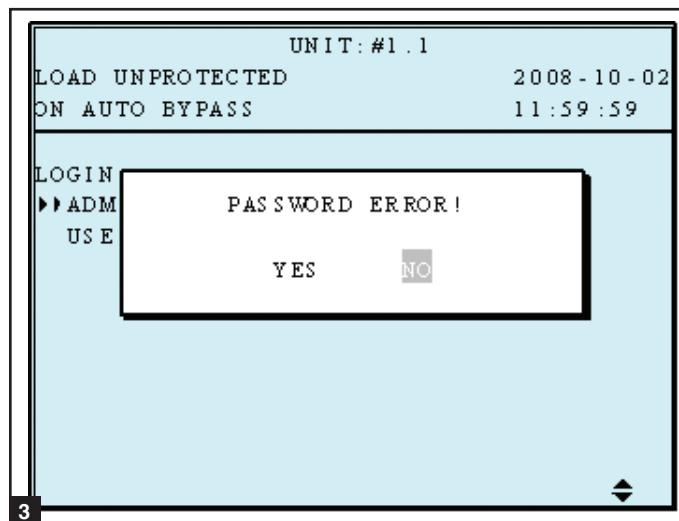
La autorización es sólo para revisar el parámetro pero no para configurarlo.

- 2 La contraseña consta de 4 dígitos. Oprima el botón de desplazamiento hacia abajo (▼) o el botón de desplazamiento hacia arriba (▲) para seleccionar el primer dígito, entonces oprima el botón enter (↵) para ingresar la elección numérica. Después de ingresar el último dígito, oprima el botón enter (↵) para confirmar la elección de contraseña. La contraseña predeterminada del usuario es 0000. La contraseña predeterminada del administrador es 0000. Sólo personal de servicio calificado debe tener acceso a la contraseña del administrador.



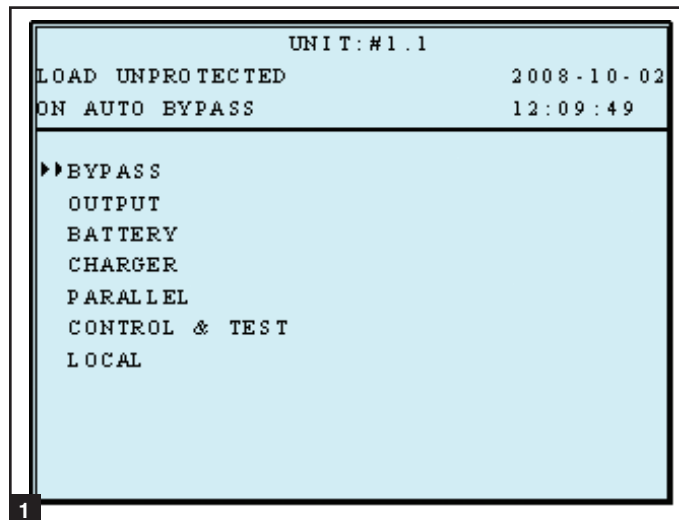
10-5 Configuración del UPS (continuación)

- 3 Si la contraseña es errónea, oprima "←" para reseleccionar.

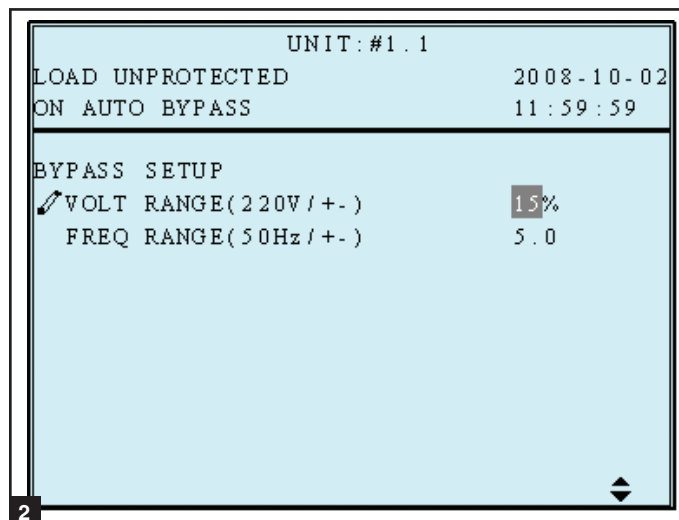


10-5-1 Configuración de Derivación

- 1 Ingrese al menú de configuración del sistema UPS. Use los botones de desplazamiento (▲, ▼) mover el cursor a "BYPASS SETUP" [Configuración de Derivación], entonces oprima el botón enter (↵).



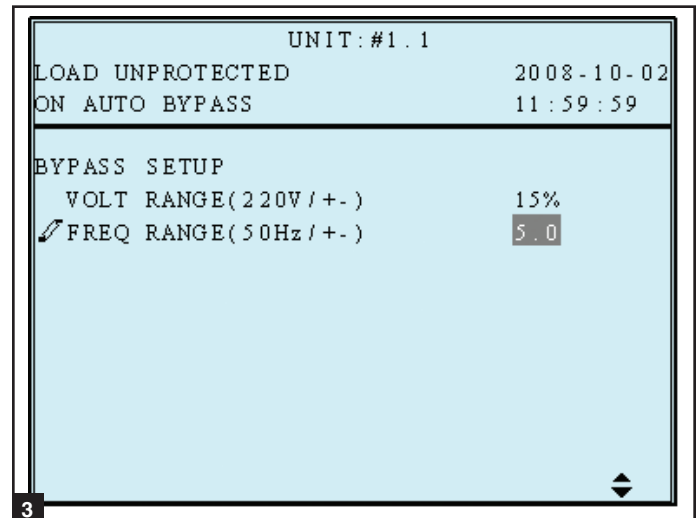
- 2 Desde la pantalla de "VOLTAGE RANGE" [Rango de voltaje], use los botones de desplazamiento (▲, ▼) para seleccionar un rango de voltaje para la derivación y oprima el botón enter (↵) para confirmar el parámetro.



10-5-1 Configuración de Derivación (continuación)

- Desde la pantalla de "FREQUENCY RANGE" [Rango de frecuencia], use los botones de desplazamiento (▲,▼) para seleccionar un rango de frecuencia para la derivación y oprima el botón enter (↵) para confirmar el parámetro.

Oprima "ESC" para regresar al menú "UPS SETUP".



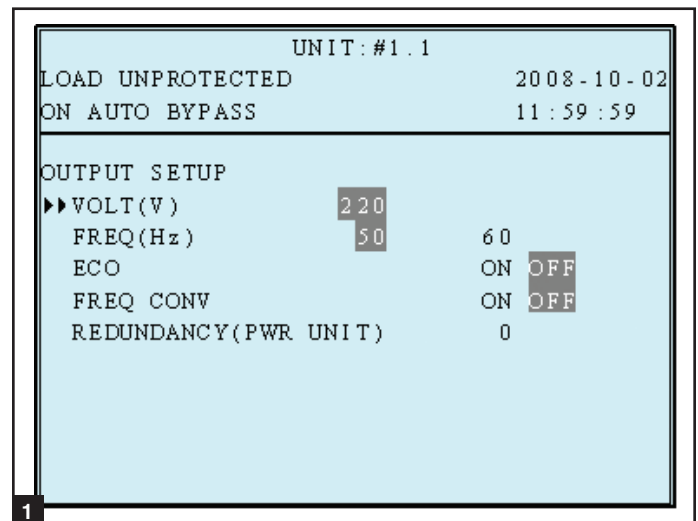
10-5-2 Configuración de Salida

Use "▲" o "▼" para seleccionar "OUTPUT SETUP" [Configuración de Salida], entonces oprima "↵" para confirmar.



Todos los parámetros en este segmento pueden cambiarse solamente cuando el UPS esté en "Modo en Derivación".

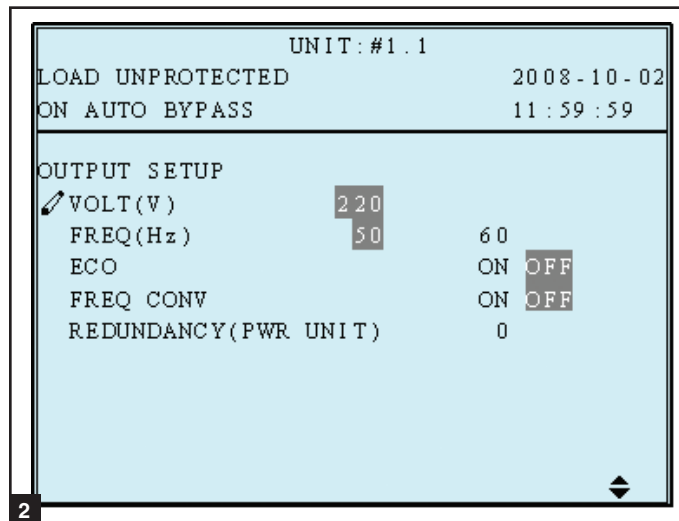
- Ingrese al menú de configuración del sistema UPS. Use los botones de desplazamiento (▲,▼) para mover el cursor a "OUTPUT SETUP", entonces oprima el botón enter (↵).



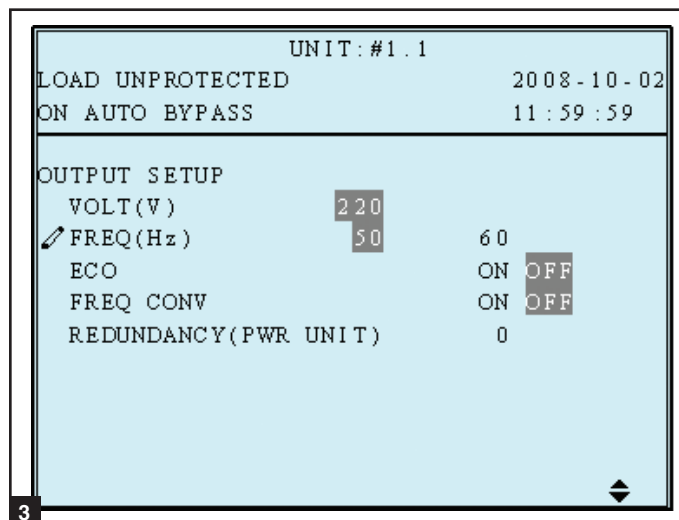
10-5-2 Configuración de Salida (continuación)

2 Voltaje de Salida

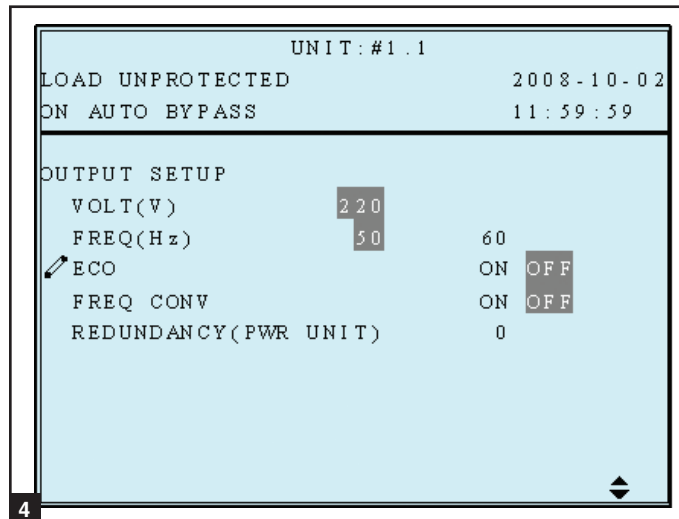
No cambie la configuración de voltaje predeterminada ya que afectará negativamente el rendimiento del UPS.



3 Desde la pantalla de “FREQUENCY”, use los botones de desplazamiento (▲,▼) para seleccionar la configuración deseada y oprima el botón enter (↵) para confirmar el parámetro. *Nota: La configuración de la frecuencia de salida se usa solamente cuando el sistema UPS arranca desde batería o cuando está activado el modo de convertidor de frecuencia.*

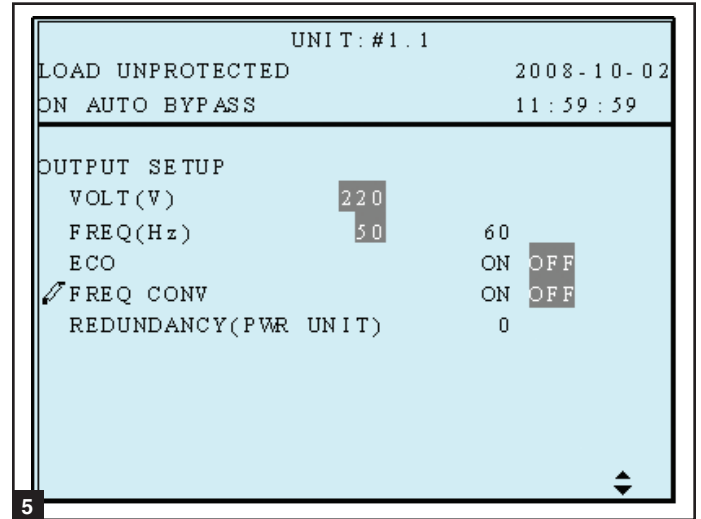


4 Desde la pantalla de “ECO MODE”, use los botones de desplazamiento (▲,▼) para seleccionar la configuración deseada y oprima el botón enter (↵) para confirmar el parámetro.



10-5-2 Configuración de Salida (continuación)

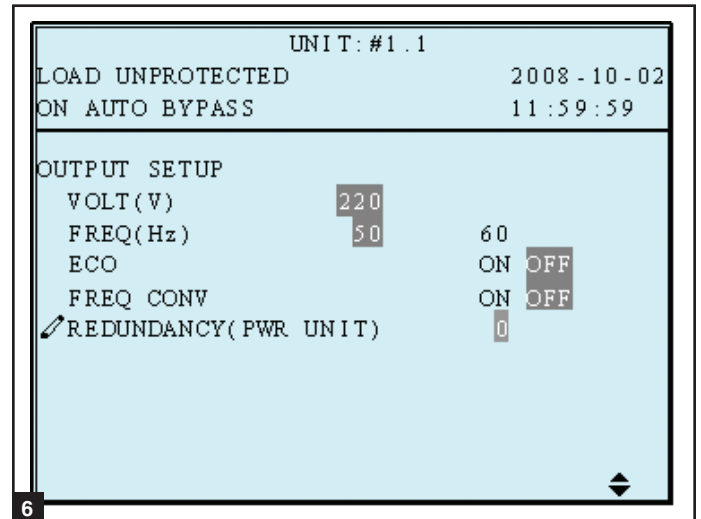
- 5 Desde la pantalla de “FREQ CONVERTER MODE”, use los botones de desplazamiento (▲,▼) ara seleccionar la configuración deseada y oprima el botón enter (↵) para confirmar el parámetro. En modo de convertidor de frecuencia, el UPS convertirá la frecuencia de la energía eléctrica entrante a una frecuencia diferente de salida. Por lo tanto, una entrada de 60Hz puede cambiarse a una salida de 50Hz o una entrada de 50Hz puede cambiarse a una salida de 60Hz. Cuando está en modo de convertidor de frecuencia, la energía en derivación no es una fuente disponible (el UPS no se transferirá a derivación).



Redundancia

- 6 Use “▲” o “▼” para seleccionar el número deseado de módulos para redundancia (usualmente uno) para redundancia, entonces oprima “↵” para confirmar.

Esta característica permite al usuario determinar un límite aceptable de salida de energía para garantizar una redundancia de N+1. Cuando esta característica esté activada, el UPS enviará una alarma cuando el uso de potencia exceda el 80% de los módulos de potencia “no redundantes” mientras mantiene el número de módulos de potencia redundantes establecidos. Por ejemplo, en un UPS de 80kVA, si una Configuración de Redundancia está establecida en “1 Módulo de Potencia”, el UPS disparará una alarma cuando usted exceda el 80% of 60kVA para garantizar un módulo de potencia para redundancia N+1.



Oprima “ESC” para regresar al menú “UPS SETUP”.

10-5-3 Configuración de Batería

Use “▲” o “▼” para seleccionar “BATTERY” [Batería], entonces oprima “↵” para confirmar.



Todos los parámetros en este segmento pueden cambiarse solamente cuando el UPS esté en “Modo en Derivación”.

10-5-3 Configuración de Batería (continuación)

- Ingrese al menú de configuración del sistema UPS. Use los botones de desplazamiento (▲, ▼) para mover el cursor a "BATTERY SETUP", entonces oprima el botón enter (↵).

Al arranque del UPS, usted debe ingresar la información acerca de la batería, incluyendo la especificación de amperes hora, número de celdas y corriente del cargador. Use las siguientes fórmulas como guía.

TIPO (AH) – Las baterías internas son de 9 AH por cadena. La especificación de AH para baterías externas es igual al número después de la "V" en el nombre del modelo. *Por ejemplo, BP480V26B = 26 AH.* Cuando se usan baterías internas y externas, sume los valores de cada cadena de baterías. *Por ejemplo, SU40KX y BP480V26B = 58 AH (9+9+40).*

CADENAS DE BATERÍAS – Si sólo se usan baterías internas, ingrese el número de cadenas. *Por ejemplo, SU40KX tiene dos cadenas de baterías internas, por lo tanto ingrese "2".* Si se usan baterías internas y externas, no cuente la batería interna. *Por ejemplo, SU40KX con BP480V55, ingrese "1".*

CORRIENTE DEL CARGADOR – Para información acerca de la configuración de corriente del cargador, consulte la [Sección 10-5-4](#).

UNIT: #1.1

LOAD UNPROTECTED	2008-10-02
ON AUTO BYPASS	11:59:59

BATTERY SETUP

▶ TYPE (AH)	40
BAT STRINGS	1
INSTALL DATE (Y-M-D)	08-10-01
NEXT REPLACE DATE (Y-M-D)	10-10-01
TEST DURATION (SEC)	10

- Desde la pantalla de "EXT BAT TYPE", use los botones de desplazamiento (▲, ▼) para seleccionar la configuración deseada y oprima el botón enter (↵) para confirmar los parámetros. *Nota: Para orientación adicional acerca de las configuraciones de AH, consulte el paso 1.*

BP480V26B = 26 AH
 BP480V40C = 40 AH
 BP480V55 = 55 AH
 BP480V78 = 78 AH
 BP480V103 = 103 AH
 BP480V140 = 140 AH

UNIT: #1.1

LOAD UNPROTECTED	2008-10-02
ON AUTO BYPASS	11:59:59

BATTERY SETUP

✎ TYPE (AH)	40
BAT STRINGS	1
INSTALL DATE (Y-M-D)	08-10-01
NEXT REPLACE DATE (Y-M-D)	10-10-01
TEST DURATION (SEC)	10

- Cadenas de Baterías**
 Use "▲" o "▼" para seleccionar el número deseado de cadenas de baterías, entonces oprima "↵" para confirmar. *Nota: Para información acerca de la configuración de las cadenas de baterías, consulte el paso 1.*

UNIT: #1.1

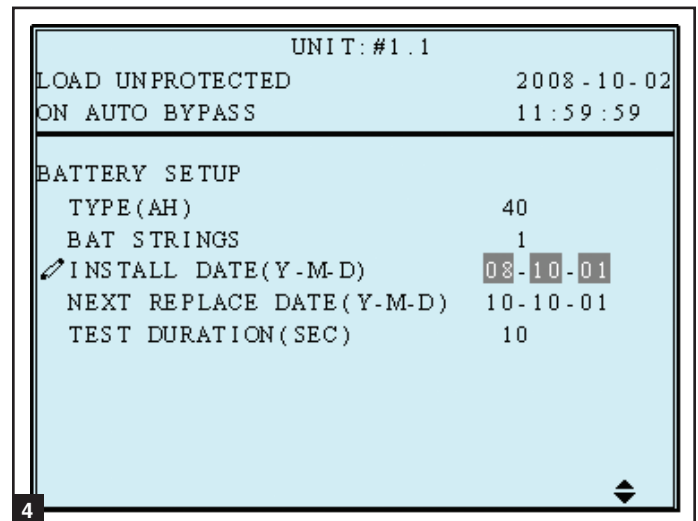
LOAD UNPROTECTED	2008-10-02
ON AUTO BYPASS	11:59:59

BATTERY SETUP

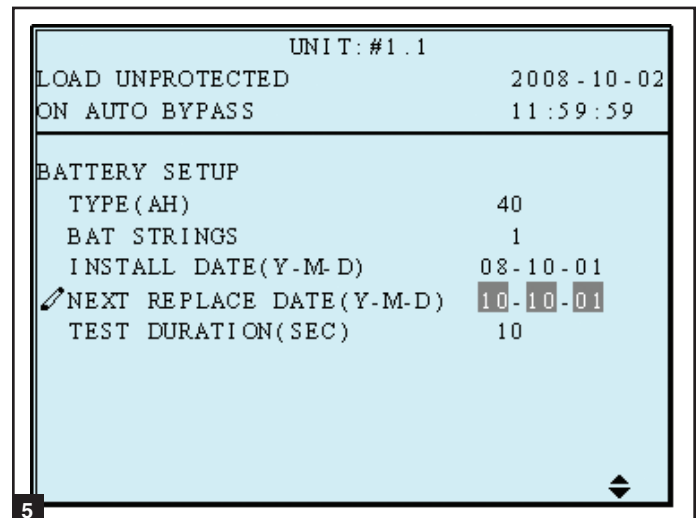
TYPE (AH)	40
✎ BAT STRINGS	1
INSTALL DATE (Y-M-D)	08-10-01
NEXT REPLACE DATE (Y-M-D)	10-10-01
TEST DURATION (SEC)	10

10-5-3 Configuración de Batería (continuación)

- 4 Desde la pantalla de “EXT BAT TYPE”, use los botones de desplazamiento (▲,▼) para seleccionar la configuración deseada y oprima el botón enter (↵) para confirmar los parámetros.

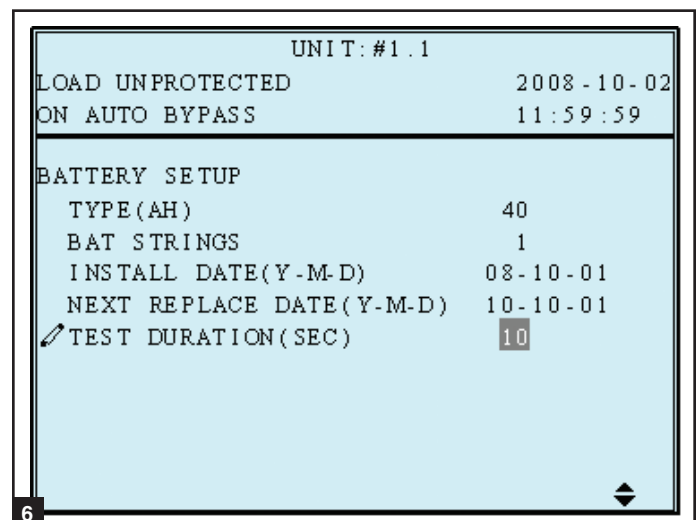


- 5 **Fecha del Próximo Reemplazo de la Batería**
Use “▲” o “▼” para establecer la próxima fecha de reemplazo, oprima entonces “↵” para confirmar. (Cuando se llegue a la fecha seleccionada, el UPS emitirá una alarma y se mostrará un mensaje en la pantalla LCD.)



- 6 Desde la pantalla “TEST DURATION” [Duración de la Prueba], use los botones de desplazamiento (▲,▼) para seleccionar la configuración deseada y oprima el botón enter (↵) para confirmar los parámetros.

Oprima “ESC” para regresar al menú “UPS SETUP” [Configuración del UPS].



10-5-4 Configuración del Cargador

Use “▲” o “▼” para seleccionar “CHARGER” [Cargador], entonces oprima “←” para confirmar.

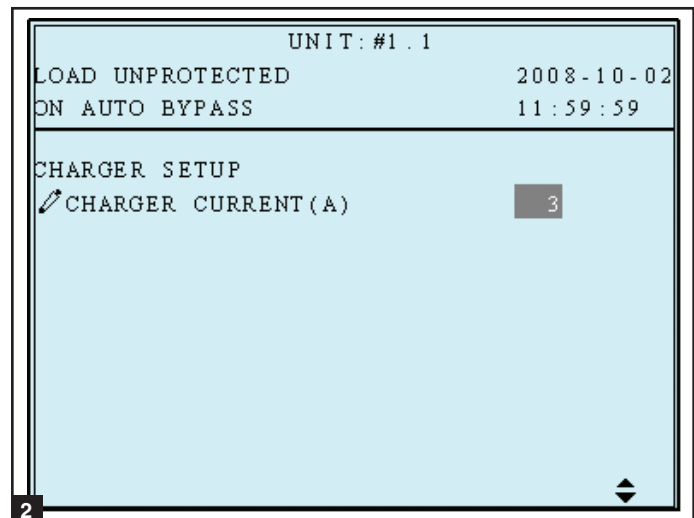
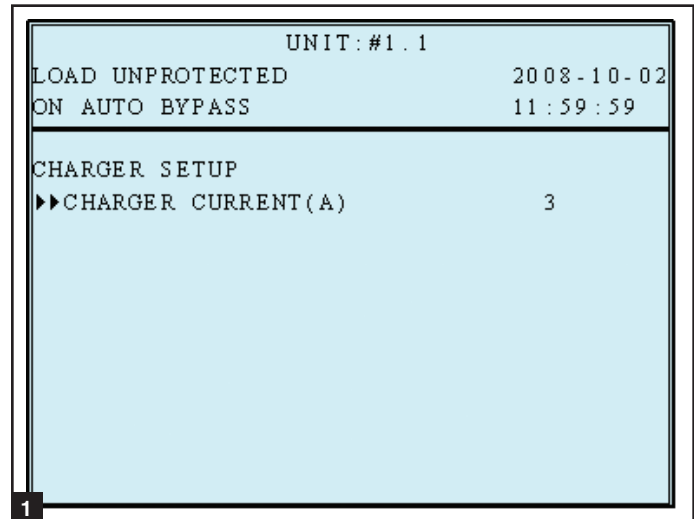
- 1 Desde la pantalla de "CHARGER CURRENT" [Corriente del Cargador], use los botones de desplazamiento (▲,▼) para seleccionar la configuración deseada y oprima el botón enter (←) para confirmar el parámetro. *Nota: La configuración predeterminada para la corriente del cargador es 7A.*

Cada módulo de potencia interno tiene un cargador de 5 amperes. La corriente del cargador puede configurarse desde un mínimo de 2 Amperes totales hasta un máximo de 5 Amperes por módulo de potencia interno, multiplicado por el número de módulos. *Por ejemplo, el SU60KX tiene tres módulos de potencia internos, así que su rango de corriente de cargador es de 2-15 Amperes.* Establezca el valor de corriente del cargador en base al tamaño del sistema de baterías. Para más información acerca de la determinación del tamaño del sistema de baterías, consulte la [Sección 10-5-3](#).

Advertencia: Establecer la corriente del cargador demasiado alta puede dañar las baterías y reducir su vida útil. Para orientación antes de cambiar la configuración predeterminada, consulte a la fábrica.

- 2 Oprima “▲” o “▼” para cambiar la corriente de carga, después oprima “←” para confirmar.

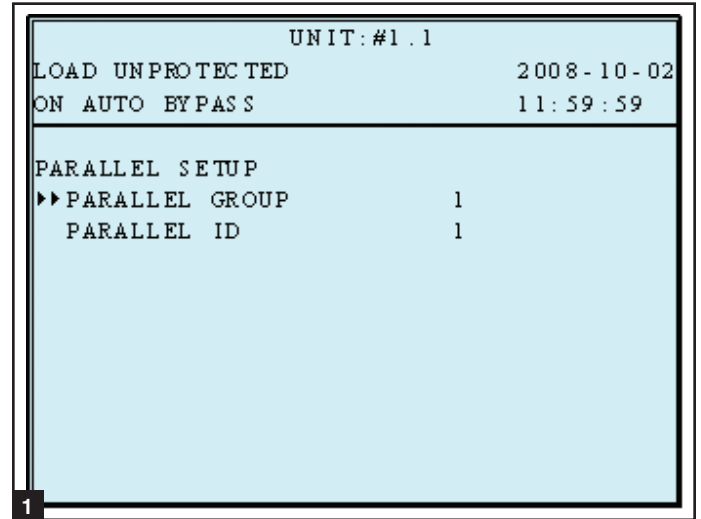
Oprima “ESC” para regresar al menú “UPS SETUP”.



10-5-5 Configuración en Paralelo

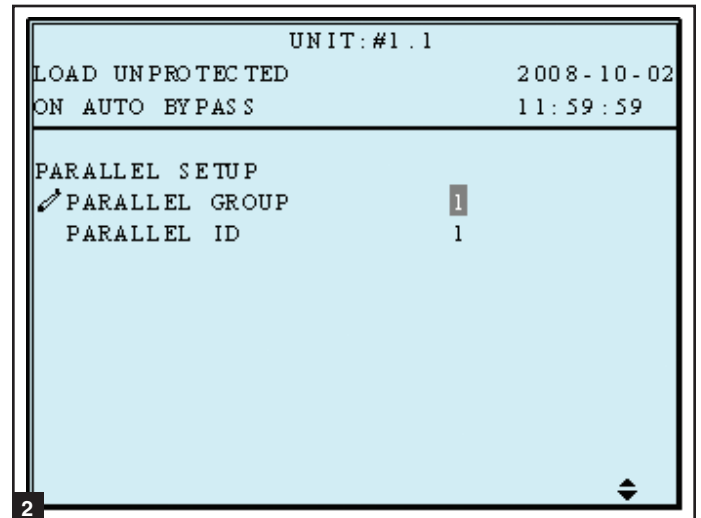
Use “▲” o “▼” para seleccionar “PARALLEL”, entonces oprima “←” para confirmar.

- 1 Use “▲” o “▼” para seleccionar el rubro deseado, entonces oprima “←” para confirmar.



- 2 **Grupo en Paralelo**

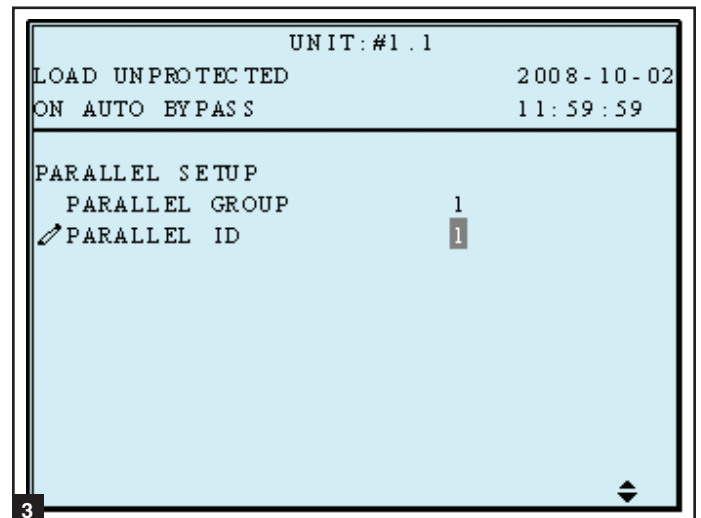
La configuración del grupo en paralelo le dice al UPS que está operando en paralelo. El Grupo 1 es la configuración predeterminada. Para consideraciones de cableado, consulte la **Sección 7 – Cableado**. *Nota: Las configuraciones posibles son 1 ó 2.*



- 3 **Parallel ID**

Identifica el número de UPS (1-8) dentro del grupo. Al configurar en paralelo los sistemas UPS, cada uno debe tener una ID única de Paralelo.

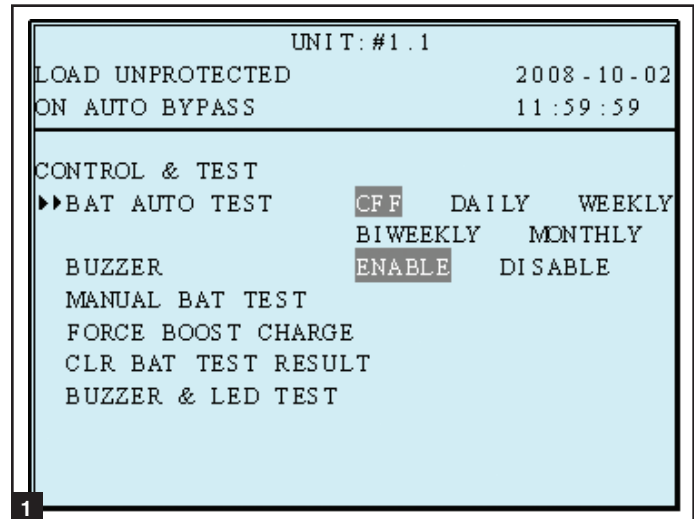
Oprima “ESC” para regresar al menú “UPS SETUP”.



10-5-6 Configuración de Control y Prueba

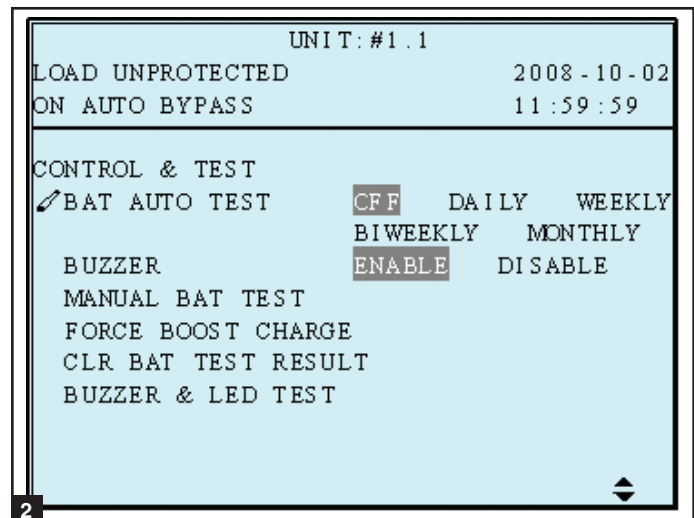
Use “▲” o “▼” para seleccionar “CONTROL & TEST” [Control y Prueba], entonces oprima “←” para confirmar.

- 1 Use “▲” o “▼” para seleccionar el rubro deseado, entonces oprima “←” para confirmar.



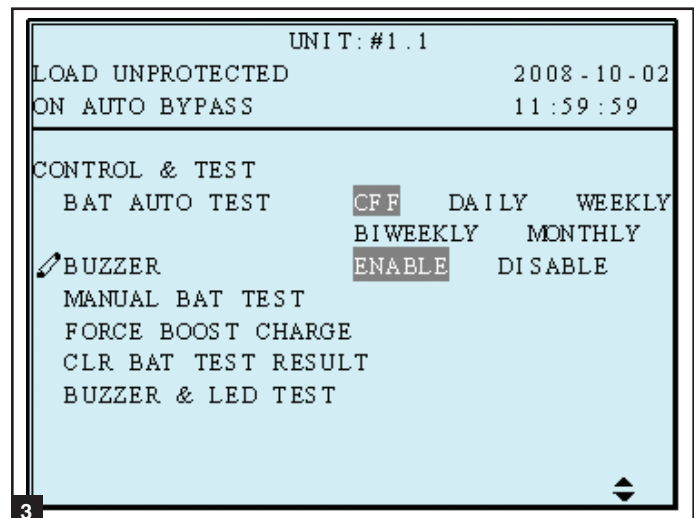
- 2 Autodiagnóstico de Batería

Use “▲” o “▼” seleccionar el rubro deseado, entonces oprima “←” para confirmar. Permite la programación de una frecuencia de prueba de las baterías para la duración seleccionada en el paso 6 de la [Sección 10-5-3](#).



- 3 Zumbador

Use “▲” o “▼” para seleccionar activar o desactivar el zumbador, entonces oprima “←” para confirmar. Silencia la alarma audible.



10-5-6 Configuración de Control y Prueba (continuación)

4 Prueba Manual de la Batería

Oprima "←" para ejecutar "MANUAL BAT TEST". Le permite correr una prueba de la batería a un tiempo no programado a discreción del usuario.

(¡Sólo el administrador puede acceder a este rubro! Se necesitará la contraseña).

UNIT: #1.1
LOAD UNPROTECTED 2008-10-02
ON AUTO BYPASS 11:59:59

CONTROL & TEST
BAT AUTO TEST CFF DAILY WEEKLY
BIWEEKLY MONTHLY
BUZZER ENABLE DISABLE
✎ MANUAL BAT TEST OK?
FORCE BOOST CHARGE
CLR BAT TEST RESULT
BUZZER & LED TEST

4

5 Forzar Carga con el Elevador

Oprima (←) para ejecutar "FORCE BOOST CHARGE". Permite la activación de la carga reforzada que está a un voltaje 20% superior que el parámetro nominal. Advertencia: Elevar la tasa de carga de la batería por períodos prolongados de tiempo puede dañar al sistema de batería.

UNIT: #1.1
LOAD UNPROTECTED 2008-10-02
ON AUTO BYPASS 11:59:59

CONTROL & TEST
BAT AUTO TEST CFF DAILY WEEKLY
BIWEEKLY MONTHLY
BUZZER ENABLE DISABLE
✎ FORCE BOOST CHARGE OK?
CLR BAT TEST RESULT
BUZZER & LED TEST

5

6 Borrar Resultados de Prueba de Batería

Oprima "←" para ejecutar "CLR BAT TEST RESULT". Esto borrará todos los resultados de prueba de la batería en el registro.

Nota: El borrar los registros de eventos puede invalidar las reclamaciones de garantía. Todas las reclamaciones de garantía deben acompañarse de la información del registro de eventos que las apoyen.

UNIT: #1.1
LOAD UNPROTECTED 2008-10-02
ON AUTO BYPASS 11:59:59

CONTROL & TEST
BAT AUTO TEST CFF DAILY WEEKLY
BIWEEKLY MONTHLY
BUZZER ENABLE DISABLE
✎ CLR BAT TEST RESULT OK?
BUZZER & LED TEST

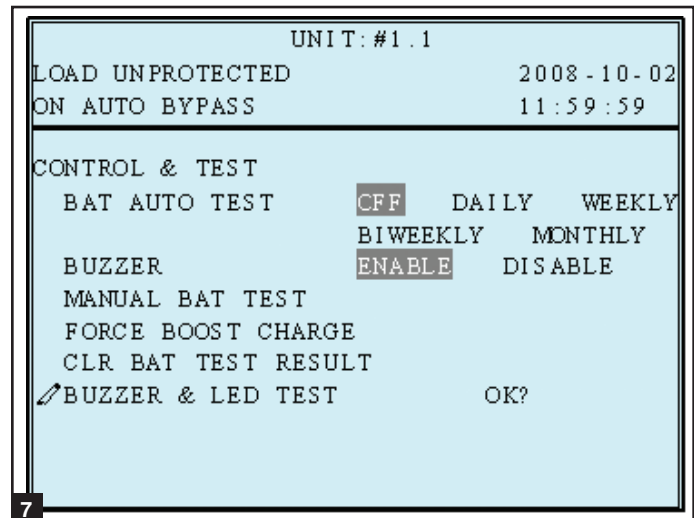
6

10 – Pantalla y Configuración (continuación)

10-5-6 Configuración de Control y Prueba (continuación)

- 7 Seleccione “BUZZER AND LED TEST” [Prueba del zumbador y LEDs] para iniciar la prueba de los LEDs del panel de control y la alarma audible. Para confirmar la operación, debe ingresar la contraseña de administrador.

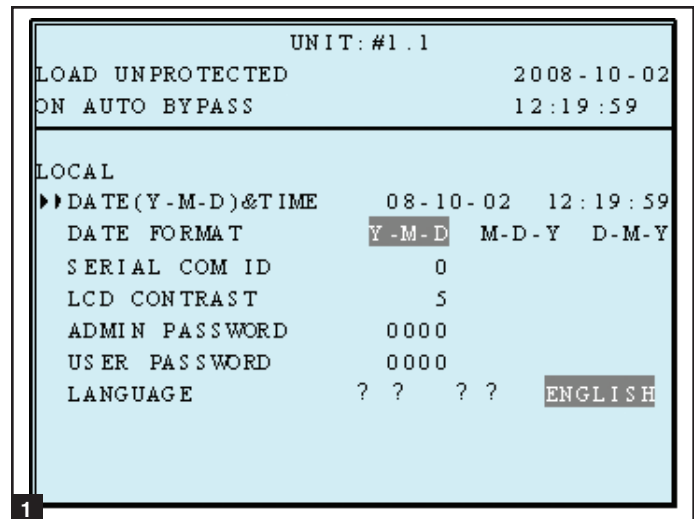
Oprima “ESC” para regresar al menú “UPS SETUP”.



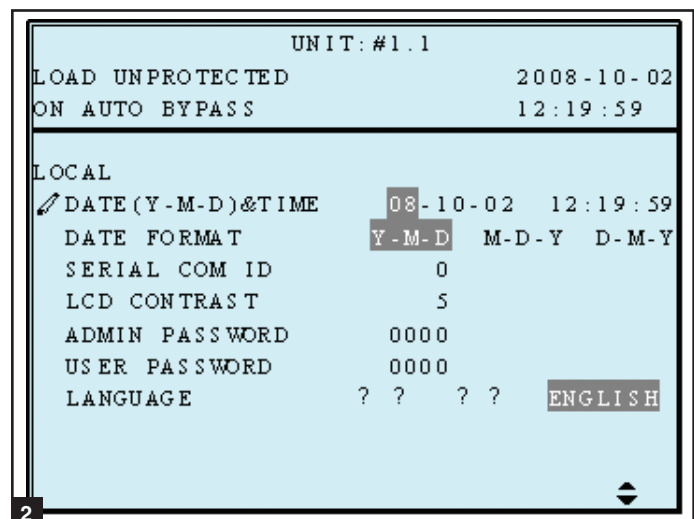
10-5-7 Configuración Local

Use “▲” o “▼” para seleccionar “LOCAL SETUP” [Configuración Local], entonces oprima “←” para confirmar.

- 1 Use “▲” o “▼” para seleccionar el rubro deseado, entonces oprima “←” para confirmar.



- 2 Desde la pantalla de “DATE/TIME CHANGE” [Cambio de fecha/hora] use los botones de desplazamiento (▲,▼) para seleccionar la configuración deseada y oprima el botón enter (↵) para confirmar los parámetros. *Nota: El cambiar este parámetro no requiere un ingreso de administrador - es suficiente un ingreso de usuario.*

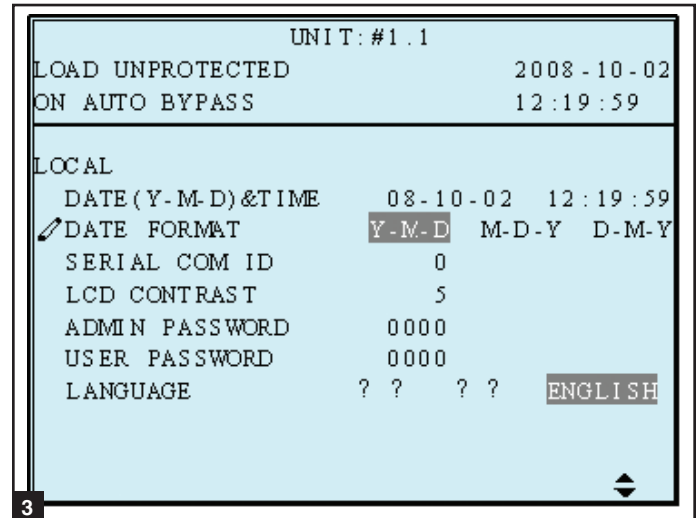


10-5-7 Configuración Local (continuación)

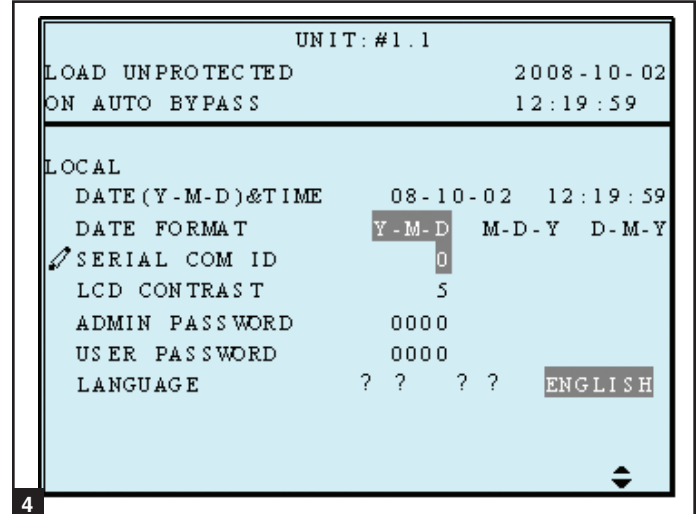
3 Formato de Fecha

Use “▲” o “▼” para cambiar el formato de fecha, entonces oprima “←” para confirmar.

(¡Este rubro es accesible al usuario!)



- 4 Desde la pantalla de “SERIAL COM ID”, use los botones de desplazamiento (▲,▼) para seleccionar la ID del puerto serial deseado y oprima el botón enter (←) para confirmar el parámetro. *Nota: Esta configuración no aplica para conexiones RS-232 estándar. Sólo aplica para comunicaciones RS-485/RS-422.*



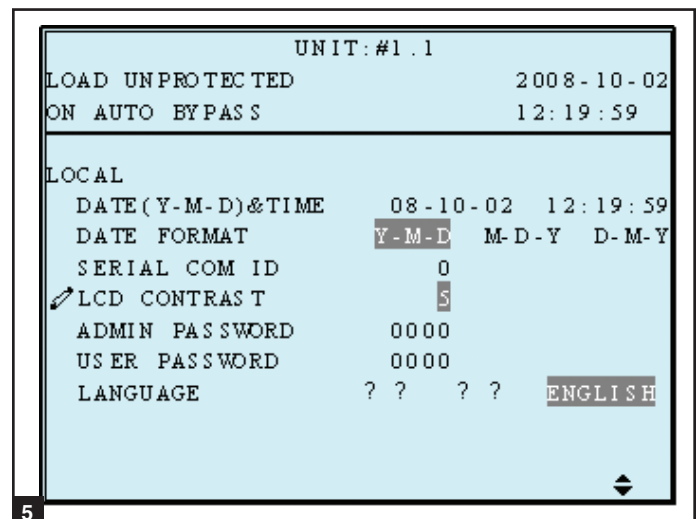
Esta ID no se usa para conexión RS232 estándar. Si usa el convertidor RS485/RS422 de otras marcas para conectar al puerto RS232, la ID puede establecerse en 00, 01.....99.

5 Contraste de LCD

Use “▲” o “▼” para calibrar el contraste de la pantalla LCD, entonces oprima “←” para confirmar. Cambia la relación de contraste del LCD.

(¡Este rubro es accesible al usuario!)

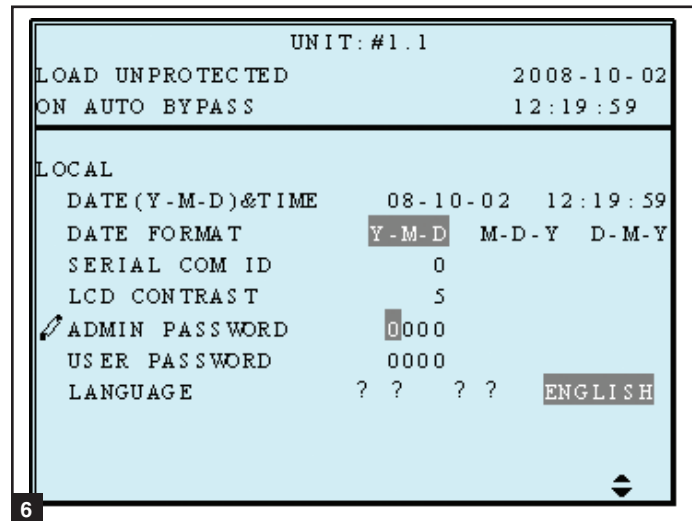
1 es el nivel más bajo y 5 es el más alto.



10-5-7 Configuración Local (continuación)

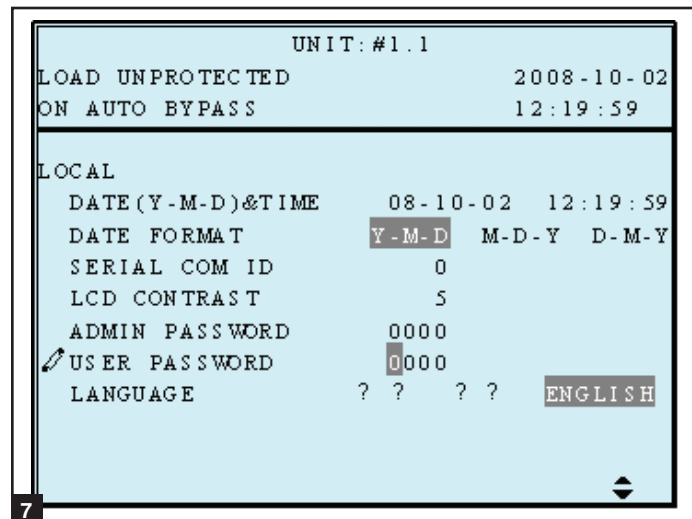
6 Contraseña del Administrador

Desde la pantalla “PASSWORD CHANGE” [Cambio de Contraseña], use los botones de desplazamiento (▲,▼) y a continuación el botón enter (↵) para seleccionar su elección del menú. Use los botones de desplazamiento (▲,▼) para seleccionar la configuración deseada y oprima el botón enter (↵) para confirmar los parámetros. *Nota: La contraseña del administrador sólo debe ser usada por personal de servicio calificado.*



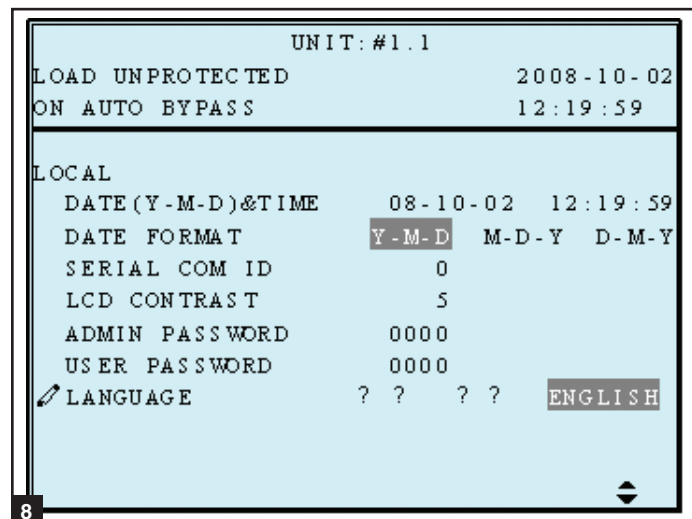
7 Contraseña del Usuario

La contraseña consta de 4 dígitos. Desde la pantalla “PASSWORD CHANGE” [Cambio de Contraseña], use los botones de desplazamiento (▲,▼) y a continuación el botón enter (↵) para seleccionar su elección del menú. Use los botones de desplazamiento (▲,▼) para seleccionar la configuración deseada y oprima el botón enter (↵) para confirmar los parámetros.



8 Idioma

Use “▲” o “▼” para seleccionar el idioma de la pantalla LCD, entonces oprima “↵” para confirmar. Seleccione de una variedad de idiomas para mostrar en el LCD.



Oprima “ESC” para regresar al menú “UPS SETUP” [Configuración del UPS].

10-6 Mantenimiento

Use “▲” o “▼” para seleccionar “MAINTENANCE” [Mantenimiento] en el menú principal, entonces oprima “←” para confirmar.

El primer rubro es el número de serie de la unidad UPS.

- 1 Use “▲” o “▼” para seleccionar el rubro deseado, entonces oprima “←” para confirmar.

```
UNIT: #1.1
LOAD UNPROTECTED      2008-10-02
ON AUTO BYPASS        11:59:59

MAINTENANCE
S / N                  E1E08200013W0
▶ FW VERSION
STATISTICS
EVENT LOG
ADVANCED
```

1

- 2 **Versión de Firmware**

Use “▲” o “▼” para seleccionar el rubro de la versión de F/W, entonces oprima “←” para confirmar.

(La pantalla mostrará la versión de firmware del sistema y de cada módulo de potencia).

```
UNIT: #1.1
LOAD UNPROTECTED      2008-10-02
ON AUTO BYPASS        11:59:59

SYSTEM                TRIPPNLR 0 0
PM                    PFC                    INV
#1 H101010101110001  H101010201120002
#2 H101010101110001  H101010201120002
#3 H101010101110001  H101010201120002
#4 H101010101110001  H101010201120002
```

2

- 3 **Estadísticas**

Use “▲” o “▼” para leer los datos estadísticos, entonces oprima “←” para confirmar.

(La pantalla mostrará los “conteos en respaldo por batería”, “conteos en derivación” y el “tiempo total de operación”).

```
UNIT: #1.1
LOAD UNPROTECTED      2008-10-02
ON AUTO BYPASS        11:59:59

ON BAT COUNTS         10
ON BYPASS COUNTS      123
OPERATION TIME(Y-D-H-M) 00-003-04-59
```

3

10-6 Mantenimiento (continuación)

4 Registro de Eventos

Use “▲” o “▼” para leer el registro de eventos, entonces oprima “←” para confirmar.

```
UNIT:#1.1
LOAD UNPROTECTED          2008-10-02
ON AUTO BYPASS            11:59:59

<001> 08-10-02 08:10:46
  Bypass Freq Abnormal
<002> 08-10-02 08:10:58
  Mains Input Voltage Abnormal
<003> 08-10-02 08:10:58
  Mains Input Freq Abnormal
<004> 08-10-02 08:10:59
  Output Breaker Off
<005> 08-10-02 08:10:59
  On Bypass
```

5 Avanzado

Use “▲” o “▼” para seleccionar el rubro "ADVANCED" [Avanzado], entonces oprima “←” para confirmar.

El rubro “ADVANCED” incluye “borrar estadísticas”, “borrar registro de eventos” “actualización de firmware” y “monitoreo de otros estados para servicio”.

(¡Sólo el administrador puede acceder a este rubro! Se requerirá la Contraseña nuevamente para confirmar.)

Advertencia: El borrar el registro de eventos puede invalidar las reclamaciones de garantía. Todas las reclamaciones de garantía deben acompañarse de la información del registro de eventos que las apoyen.

```
UNIT:#1.1
LOAD UNPROTECTED          2008-10-02
ON AUTO BYPASS            11:59:59

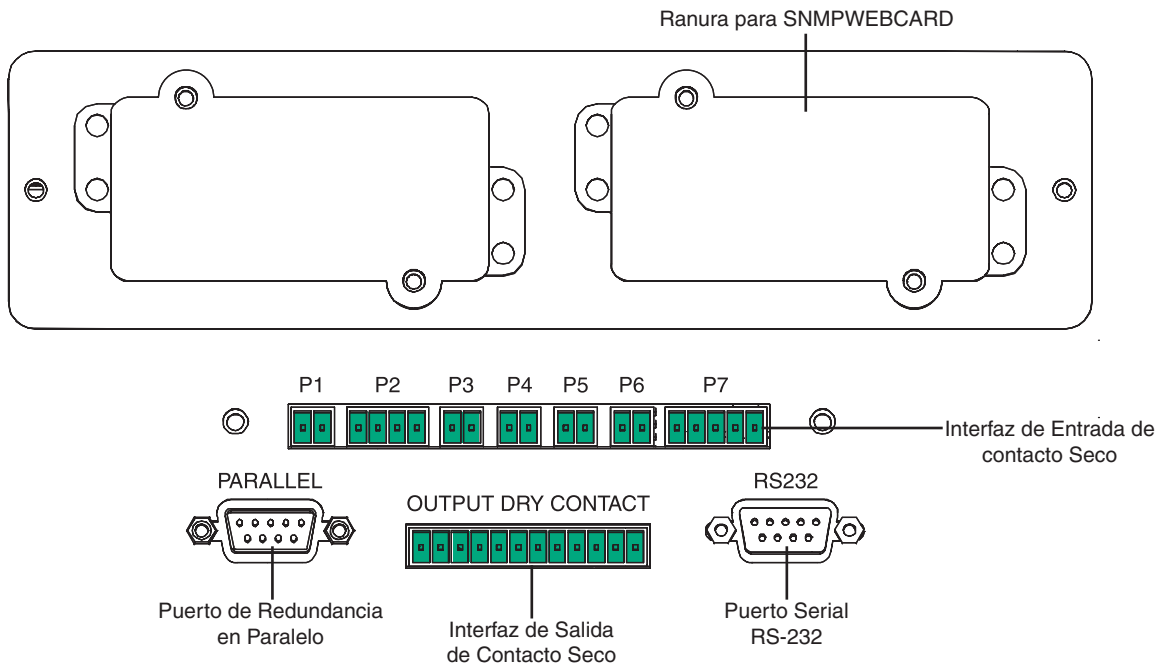
ADVANCED
▶CLR STATISTICS
CLR EVENT LOG
FW UPGRADE
OTHERS
```

Oprima “ESC” para regresar al menú “UPS SETUP”.

11 – Comunicaciones

Nota: Las conexiones para comunicaciones descritas en esta sección son opcionales. El sistema UPS funcionara correctamente sin estas conexiones.

11-1 Interfases de Comunicaciones



Nota: Los siguientes conectores son suministrados con el UPS: P1, P2 y una barra de 12 posiciones para los contactos secos de salida. P3 y P7 se embarcan solamente con el BP480V26B o BP480V40C opcional que concuerda con el gabinete de la batería.

11-2 Ranura para SNMPWEBCARD

Remueva la tapa del panel para instalar el accesorio SNMPWEBCARD de Tripp Lite. El accesorio SNMPWEBCARD proporciona una interfaz Ethernet para el sistema UPS y permite monitoreo remoto y control vía SNMP, navegador Web o telnet. Para más información acerca de pedidos del accesorio SNMPWEBCARD, visite www.tripplite.com.

11-3 Interfaz de Entrada de Contacto Seco

La interfaz de entrada de contacto seco recibe instrucciones de cierre de contacto que permiten al sistema UPS recibir ordenes y monitorear las condiciones de la batería externa:

P1—Apagado remoto de emergencia (EPO) (Consulte la **Sección 11-4.**)

P2—Entradas de contacto seco auxiliares (2 lotes) (Contacto de entrada A: Clavija 1,2 de régimen para 12V CC mínimo 0,1A (nominal); Contacto de entrada B: Clavija 3,4 de régimen para 12V CC mínimo 0,1A (nominal). Consulte la **Sección 11-5.**)

P3—Temperatura 1 de la caja de batería externa (Entrada del sensor de temperatura desde las cajas de batería externas. Consulte la **Sección 11-6.**)

P4— Temperatura 2 de la caja de batería externa (Entrada del sensor de temperatura desde las cajas de batería externas. Consulte la **Sección 11-6.**)

P5— Temperatura 3 de la caja de batería externa (Entrada del sensor de temperatura desde las cajas de batería externas. Consulte la **Sección 11-6.**)

P6— Temperatura 4 de la caja de batería externa (Entrada del sensor de temperatura desde las cajas de batería externas. Consulte la **Sección 11-6.**)

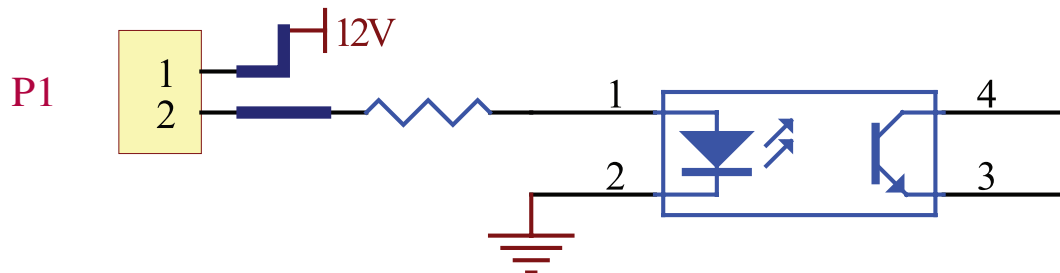
P7—Estado de la batería externa (para uso con cable de estado de batería suministrado con las cajas de batería externas: BP480V26B o BP480V40C.)

Nota: no aplique voltajes a los contactos REPO o a los contactos secos auxiliares. Se pueden producir daños en el UPS. Para el REPO, el interruptor debe estar bloqueado con el fin de mantener desconectada la salida de potencia desde la salida del UPS.

11 – Comunicaciones (continuación)

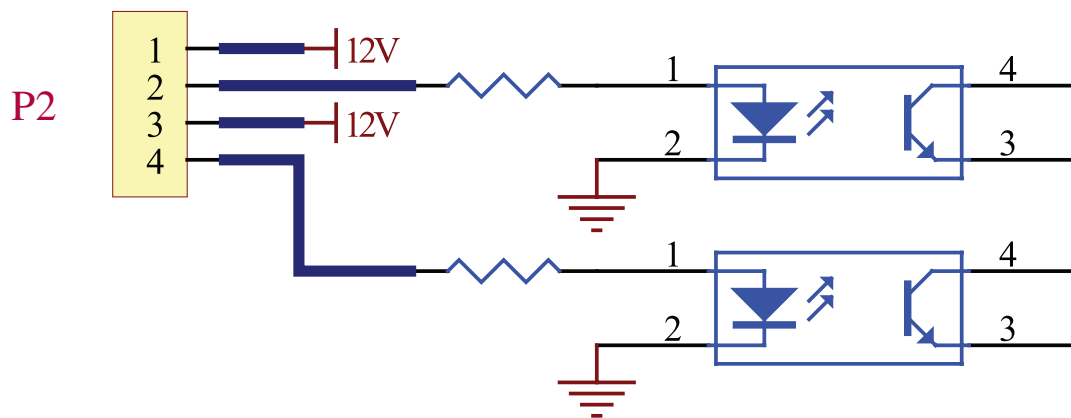
11-4 Diagrama de Circuitos del Apagado de Emergencia Remoto (EPO)

La conexión de entrada del Apagado de Emergencia Remoto (EPO) (P1) le permite conectar el sistema UPS al circuito EPO de sus instalaciones. Conectar el sistema UPS al circuito EPO permite el cierre de emergencia remoto de la salida del sistema UPS. Conecte la entrada EPO a un interruptor remoto, proporcionado por el usuario, siguiendo el diagrama de circuito de abajo. Este contacto normalmente está abierto. El botón REPO proporcionado por el usuario debe ser de seguridad y en una posición normalmente cerrada. Al abrir, el UPS se va a derivación. El inversor debe reiniciarse oprimiendo el botón ON para regresar al modo en línea. Contacto especificado para 12V CD mínimo, 0.1A (nominal).



11-5 Diagrama de Circuitos de la Entrada Auxiliar de Contacto Seco

Las conexiones de la entrada auxiliar del contacto seco (P2) le permite al sistema UPS recibir señales externas. Estos contactos normalmente están abiertos. Contactos externos especificados para 12V CD mínimo, 0.1A (nominal).



11-6 Entradas la Temperatura del Gabinete de Baterías Externas

Las conexiones de entrada de la temperatura del gabinete de baterías externas (P3, P4, P5, P6) permiten al sistema UPS recibir señales de un accesorio opcional que monitorea la temperatura de los gabinetes de baterías externas. Para más información, visite www.tripplite.com/support.

11-7 Entrada del Estado de las Baterías Externas

La conexión de entrada del estado del gabinete de baterías externas (P7) le permite al sistema UPS recibir señales externas del estado del gabinete de baterías externas mediante un cable opcional. Pin 1 = +12V; Pin 2 = Cable de detección conectado; Pin 3 = Estado del interruptor de circuitos del gabinete de baterías (señal activa= interruptor de circuitos encendido; señal inactiva = apagado); Pin 4 = reservado; Pin 5 = voltaje de referencia. Para más información, visite www.tripplite.com/support.

11-8 Detalle de la Interfaz de Salida del Contacto Seco

El sistema UPS tiene seis conexiones de salida de contacto seco. Estos contactos pueden estar normalmente abiertos o normalmente cerrados.

Mensajes Predeterminados

Contacto	Mensaje	Descripción
Pin 1-2	Carga en el inversor	El sistema UPS está trabajando normalmente.
Pin 3-4	Carga en derivación automática	El sistema UPS está en modo de derivación.
Pin 5-6	Falla de la entrada principal con carga en el inversor	No hay energía del servicio público (Apagón) o anormal. El sistema UPS está en modo de respaldo.
Pin 7-8	Batería baja	El sistema UPS está en modo de respaldo, y el voltaje de la batería es menor a 220V.
Pin 9-10	Entrada de la derivación anormal	La entrada de la derivación es anormal (frecuencia / fase).
Pin 11-12	Falla en la prueba de la batería	El voltaje de la batería es más bajo que el valor de referencia.

Mensajes Opcionales

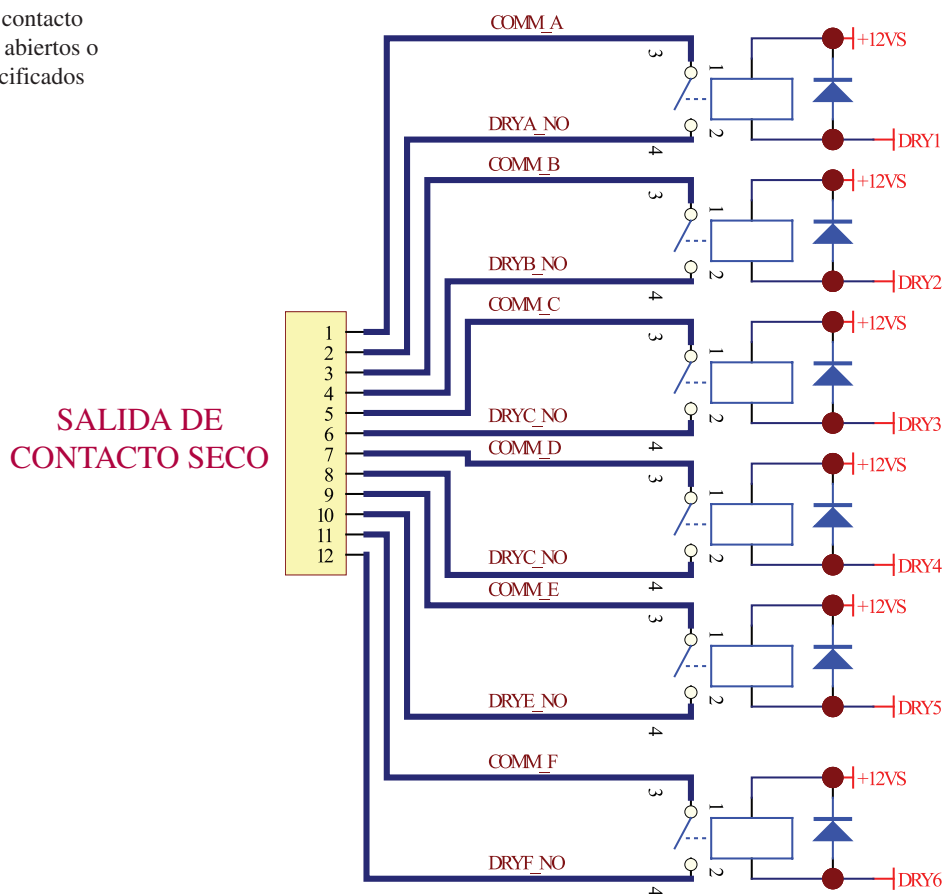
Mensaje	Descripción
Falla de comunicación interna	La comunicación con uno de los componentes internos no es normal.
Falla externa en la comunicación en paralelo	En una instalación de redundancia en paralelo, la comunicación en paralelo no es normal.
Advertencia/apagado por sobrecarga en la salida	La carga excede la capacidad del sistema UPS.
Apagado por falla en el módulo de potencia	Se ha apagado el sistema UPS debido a una falla del módulo de potencia interno.
Advertencia del módulo de potencia	Un módulo de potencia interno tiene un error, pero el sistema UPS aun puede funcionar normalmente.
EPO activado	La salida del sistema UPS está deshabilitada por la función de Apagado de Emergencia (EPO).
Derivación manual o automática	El sistema UPS está en modo derivación manual.
Advertencia/apagado por sobre calentamiento del gabinete de baterías	La temperatura del gabinete de baterías externas es demasiado alta.
Voltaje de Salida anormal	El voltaje de salida del sistema UPS es demasiado alta o demasiado baja.
La batería necesita ser remplazada	De acuerdo a la información de la fecha en "BAT DATE SETTING", [Establecimiento de la fecha de la batería] el sistema UPS esta retrasado en el remplazo de la batería. (Vea la Sección 10-5-3 para más información.)
Advertencia/apagado por sobre temperatura en la derivación	La temperatura del "interruptor de transferencia estático" [static transfer switch] (STS) de la derivación es demasiado alta.
Falla en la tierra de la batería	La batería tiene un error en la conexión a tierra.
Falla del interruptor estático (STS) de la derivación	El "interruptor de transferencia estático" [static transfer switch] (STS) de la derivación está irregular.

Nota: Si necesita habilitar mensajes opcionales, comuníquese con Tripp Lite.

11 – Comunicaciones (continuación)

11-9 Diagrama de Circuitos de la Salida Contacto Seco

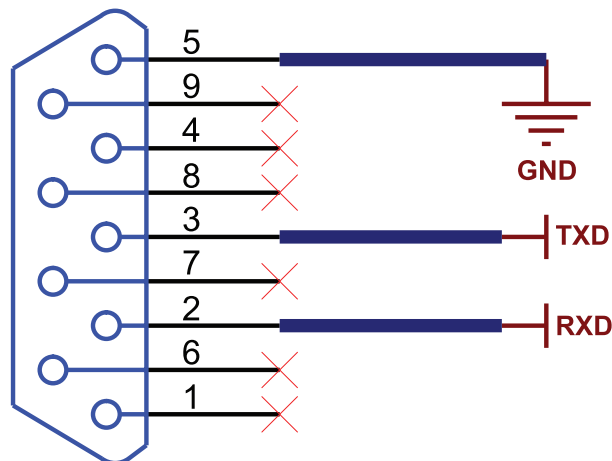
El sistema UPS tiene seis contactos de salida de contacto seco. Estos contactos pueden estar normalmente abiertos o normalmente cerrados. Los contactos están especificados para 250V AC/28V CD; 8A.



11-10 Diagrama de Circuitos del Puerto Serial RS-232

El puerto serial RS-232 DB9 conecta al sistema UPS a una estación de trabajo o servidor (cable incluido). Al comunicarse con el sistema UPS por este puerto, el software para administración de UPS PowerAlert (incluido) de Tripp Lite puede comunicar y controlar el Sistema UPS. PowerAlert también sirve como un SNMP proxy permitiendo al sistema UPS aparecer como un dispositivo SNMP en la red.

Las señales y operaciones del RS-232 incluyen: nivel de carga, estado de la batería, nivel de la batería, modo de operación, Voltaje CA de entrada, Voltaje CA de salida, frecuencia CA de entrada, temperatura de entrada, establecer el tiempo de retraso para apagar el UPS, habilitar/deshabilitar la alarma y apagado remoto.



Hardware

Tasa de Bauds: 2400
Longitud de Datos BPS: 8 bits
Bit de Parada: 1bit
Paridad: NINGUNA

Asignación de Pines

Pin 2: TXD (Transmisión de Datos)
Pin 3: RXD (Recepción de Datos)
Pin 5: Tierra (Señal de Tierra)

11-11 Puerto de configuración en paralelo

El puerto de configuración en paralelo permite la conexión de otro sistema UPS de tipo y capacidad idénticos para su uso en una configuración en paralelo (1+1) y así disponer de mayor capacidad o poder aumentar la tolerancia a fallos. **Advertencia: utilice solamente el cable de configuración en paralelo que se incluye con el sistema UPS. Si intenta utilizar un cable incompatible puede dañar el sistema UPS y causar un riesgo grave de lesiones personales y daños materiales.**

12 – Especificaciones

12-1 Especificaciones Técnicas del Sistema UPS

		Modelo (Capacidad)	SU20KX (20kVA/16kW)	SU40KX (40kVA/32kW)	SU60KX (60kVA/48kW)	SU80KX (80kVA/64kW)		
Entrada	Voltaje de Entrada		220/380V, 230/400V o 240/415V AC, 3Ø, 4 hilos,+ tierra, wye					
	Regulación de Voltaje		-25% ~ +20%					
	Distorsión Armónica		< 4% (Carga Llena/Plena Carga)					
	PFC (Carga Llena/Plena Carga)		> 0.99					
	Frecuencia		50 / 60 Hz					
	Tolerancia de Frecuencia		45 ~ 65 Hz					
Salida	Voltaje de Salida		220/380V, 230/400V o 240/415V AC, 3Ø, 4 hilos,+ tierra, wye					
	Frecuencia de Salida		50 / 60 Hz					
	Armónica Total (Carga lineal)		<3%					
	Regulación de voltaje	Estático		±1%				
		Regulación de Frecuencia	Dinámico		±7% (10% ~ 90% Carga Lineal)			
			Oscilador Interior		±0.05 Hz			
	Sincronizado		±5%					
Sobrecarga		<125% : 10 minutos; <150% : 1 minuto						
Advertencia Audible	Respaldo de Batería		Intermitente					
	Mensajes de Errores		En Forma Continua					
Display/ Visualización	LED		Estado del UPS: Normal • Derivación Respaldo • Falla					
	LCD		Entrada/Salida • Derivación Inversor • Frecuencia • Carga • Voltaje de la Batería • Mensajes anormales del UPS con auto diagnostico inteligente.					
Interfaz	Estándar		RS-232, Contacto Seco					
	Opcional		SNMPWEBCARD					
Otros	Redundancia en Paralelo		Sí (1+1 para 2 sistemas UPS del mismo tipo y capacidad únicamente.)					
	EPO		Estándar (Local y Remoto)					
	SRAM de Registro de Eventos		500 Registros					
	Parámetro de configuración		Sí					
	Instalación Hot Standby		Opcional					
	Compensación de la Temperatura de la Batería		Opcional					
	Arranque en Frío con la Batería		Estándar					
En Conjunto	Eficiencia	Normal		94%				
		ECO		97%				
	Tiempo de Transferencia		0 ms					
	Temperatura		32° F ~ 104° F (0° C ~ 40° C)					
	Humedad (sin condensación)		90%					
	Ruido (1 m)		65 dBA	68 dBA	70 dBA	70 dBA		
	Dimensiones (Módulo de Potencia)	Ancho		520 mm				
		Fondo		850 mm				
		Alto		1165 mm				
Peso (Módulo de Potencia)		267 kg*	412 kg*	210 kg	244 kg			

* Con Baterías Internas.

12-2 Tabla de Resistencia/Carga del Piso del Sistema UPS

Modelo	SU20KX	SU40KX	SU60KX	SU80KX
Peso	267 kg	412 kg	210 kg	244 kg
Carga/Resistencia	600 kg/m ²	927 kg/m ²	475 kg/m ²	552 kg/m ²

12-3 Tabla de Resistencia/Carga del Piso de los Módulos de Baterías

Modelo	BP480V26B (40 Baterías de 12V; 26AH cada uno)	BP480V40C (40 Baterías de 12V; 40AH cada una)
Peso	470 kg	700 kg
Carga/Resistencia	1064 kg/m ²	1575 kg/m ²

13 – Almacenaje y Servicio

Almacenaje

El sistema UPS debe ser almacenado en un ambiente limpio, seguro con una temperatura menor de 40° C (104° F) y una humedad relativa menor del 90% (sin condensación). Si es posible almacene el sistema UPS en su contenedor de embarque original. Si la instalación se efectúa más de 6 meses después que recibió el sistema UPS, recargue las baterías por lo menos durante 24 horas antes de usarlas. No confíe en el sistema UPS para proporcionar respaldo a los equipos conectados hasta que las baterías estén completamente cargadas. *Nota: Si el sistema UPS permanece apagado por periodos extendidos, deberá encenderse periódicamente para permitir que las baterías se recarguen. El sistema UPS deberá encenderse para recargar las baterías de forma ininterrumpida por un período de 24 horas cada 3 meses. Fallar en recargar las baterías periódicamente puede causar daños irreversibles a las baterías del UPS.*

Servicio

El sistema UPS está cubierto por la garantía limitada descrita en este manual. Programas de servicio de revisión del sitio, programas de servicio de arranque, programas de servicio de mantenimiento preventivo y opciones de garantía en sitio (2, 3 ó 4 años) también están disponibles. Para más información, visite www.tripplite.com/support.

14 – Garantía

Garantía Limitada

El Vendedor garantiza este producto, si es usado de acuerdo a las instrucciones aplicables verificadas por el Servicio de Instalación Inicial de Tripp Lite de estar libre de defectos de origen en materiales y mano de obra por un periodo de 2 años (excepto los Estados Unidos, Canadá y México. 1 año) a partir de la fecha de la compra inicial. Si el producto mostrara defectos en materiales o mano de obra dentro de ese periodo, el Vendedor reparará o reemplazará el producto a su completa discreción. El servicio bajo esta garantía incluye partes y mano de obra del Centro de Servicio de Tripp Lite. Planes de servicio en sitio están disponibles de Tripp Lite a través de "Service Partners" autorizados (en la mayoría de las áreas). Comuníquese con el Servicio a Clientes de Tripp Lite al (773) 869-1234 para más información. Clientes internacionales deberán contactar al soporte de Tripp Lite en intlservice@tripplite.com

ESTA GARANTIA NO APLICA POR EL USO NORMAL O DAÑOS RESULTANTES DE ACCIDENTES, MAL USO, ABUSO O NEGLIGENCIA. EL VENDEDOR NO EXPRESA OTRAS GARANTIAS QUE NO SEA LA GARANTIA EXPRESAMENTE ESTABLECIDA AQUI. EXCEPTO POR LO PROHIBIDO POR LAS LEYES APLICABLES, TODAS LAS GARANTIAS IMPLICADAS, INCLUYENDO TODAS LAS GARANTIAS DE MERCANTIBILIDAD O CONVENIENCIA, SON LIMITADAS AL PERIODO ESTABLECIDO CON ANTERIORIDAD ARRIBA, Y ESTA GARANTIA EXPRESAMENTE EXCLUYE TODOS LOS DAÑOS INCIDENTALES Y CONSEQUENTES. (Algunos estados no permiten limitaciones sobre la duración de una garantía implícita y algunos estados no permiten la exclusión o limitación de daños incidentales o consecuentes, de modo que las limitaciones o exclusiones de arriba no puedan aplicarse a Usted. Esta garantía le da derechos legales específicos y usted puede tener otros derechos que varían de jurisdicción en jurisdicción)

Tripp Lite; 1111 W. 35th Street; Chicago IL 60609; USA

ADVERTENCIA: Los usuarios deberán tener cuidado en determinar, en forma individual, antes de usar este dispositivo si es adecuado o seguro para el uso que se le quiere dar. Dado que las aplicaciones individuales están sujetas a una gran variedad, el fabricante no garantiza ni establece la adecuación, conveniencia o correctibilidad de su uso para una aplicación específica.

Cumplimiento con las Normas de Números de Identificación

Para fines de identificación y certificación del cumplimiento de las normas, a su producto Tripp Lite se le ha asignado un número de serie único. El número de serie lo puede encontrar en la etiqueta de la placa de identificación del producto junto con los símbolos de aprobación e información requeridos. Cuando solicite información sobre el cumplimiento de normas para este producto, siempre refiérase al número de serie. El número de serie no de ser confundido con el nombre de identificación ni con el número de modelo del producto.

Información de sobre Cumplimiento de la WEEE para Clientes de Tripp Lite y Recicladores (Unión Europea)



Según la Directiva de Residuos de Aparatos Eléctricos y Electrónicos (Waste Electrical and Electronic Equipment, WEEE) y sus reglamentos, cuando los clientes compran nuevos equipos eléctricos y electrónicos a Tripp Lite, tienen derecho a:

- Enviar equipos antiguos para reciclaje según una base de uno por uno, entre productos similares (esto varía dependiendo del país)
- Enviar el equipo nuevo de vuelta para reciclaje cuando este se convierta finalmente en desecho

La política de Tripp Lite es la de una mejora constante. Especificaciones sujetas a cambios sin previo aviso.

Nota Sobre el Etiquetado

Se usan dos símbolos en las etiquetas:

V~	Voltaje CA
V---	Voltaje CC
Ø	Fase
⊕	Tierra



1111 W. 35th Street, Chicago, IL 60609 USA • www.tripplite.com

Manuel du propriétaire

Onduleurs triphasés SmartOnline™

Modèles : SU20KX, SU40KX, SU60KX, SU80KX
Entrée/Sortie : 220/380 V, 230/400 V ou 240/415 V CA, 3 ϕ , 4 fils + PE

Ne convient pas aux applications mobiles.



1111 W. 35th Street, Chicago, IL 60609 USA • www.triplite.com

Tous droits réservés © 2013 Tripp Lite. Toutes les marques de commerce sont la propriété de leurs titulaires respectifs.

Table des matières

1	Introduction	123
2	Instructions importantes concernant la sécurité	124
3	Caractéristiques du tableau de commande	126
4	Fonctionnalités des panneaux avant et arrière	127
5	Installation du boîtier	129
5-1	Préparation	129
5-2	Déballage du produit	129
5-3	Mise en place	130
6	Connexion de la batterie interne (Modèles SU20KX et SU40KX seulement)	131
6-1	Schémas de câblage de la batterie interne	131
6-2	Procédure de connexion de la batterie interne	133
7	Câblage	136
7-1	Avertissements concernant le câblage	136
7-2	Préparation du câblage	136
7-3	Schéma du bornier de l'onduleur	137
7-4	Schémas de câblage du boîtier externe de la batterie	137
7-5	Données électriques et de câblage	138
7-6	Câblage du boîtier externe de la batterie	139
7-7	Câblage entrée/sortie CA (Onduleur unique)	140
7-8	Câblage entrée/sortie CA (Onduleur parallèle - entrée unique)	141
7-9	Câblage entrée/sortie CA (Onduleur parallèle à deux entrées)	141
8	Modes de fonctionnement	142
8-1	Mode en ligne (Normal) (Onduleur unique)	142
8-2	Mode batterie de secours (Onduleur unique)	142
8-3	Mode dérivation automatique (Onduleur unique)	142
8-4	Mode dérivation manuel (Onduleur unique)	142
8-5	Mode en ligne (Onduleur parallèle)	143
8-6	Mode batterie de secours (Onduleur parallèle)	143
8-7	Mode dérivation automatique (Onduleur parallèle)	143
8-8	Mode dérivation manuelle (Onduleur parallèle)	144
8-9	Mode secours immédiat (Onduleur parallèle)	144
9	Démarrage, arrêt et dérivation	145
9-1	Schémas du tableau de commande et du coupe-circuit	145
9-2	Liste de contrôle préliminaire (Onduleur unique)	145
9-3	Procédure de démarrage normal (Onduleur unique)	145
9-4	Procédure de démarrage sur batterie (Onduleur unique)	146
9-5	Procédure de dérivation manuelle (Onduleur unique)	147
9-6	Procédure d'arrêt (Onduleur unique)	147
9-7	Liste de contrôle préliminaire (Onduleur parallèle)	148
9-8	Procédure de démarrage (Onduleur parallèle)	149
9-9	Procédure d'arrêt (Onduleur parallèle)	150
9-10	Procédure de dérivation manuelle (Onduleur parallèle)	151
9-11	Passage du mode dérivation manuelle au mode normal (Onduleur parallèle)	152

10	Affichage et configuration	153
10-1	Schéma du tableau de commande	153
10-2	Hierarchie d'affichage	153
10-3	Affichage par défaut	154
10-3-1	Affichage d'état	154
10-4	Menu principal	157
10-5	Configuration de l'onduleur	159
10-5-1	Configuration de la dérivation	161
10-5-2	Configuration de la sortie	161
10-5-3	Configuration de la batterie	163
10-5-4	Configuration du chargeur	166
10-5-5	Configuration en parallèle	167
10-5-6	Configuration des contrôles et des tests	168
10-5-7	Configuration locale	170
10-6	Entretien	173
11	Communications	175
11-1	Interfaces de communication	175
11-2	Fente SNMPWEBCARD	175
11-3	Interface d'entrée à contact sec	175
11-4	Schéma du circuit de l'interrupteur d'urgence à distance	176
11-5	Schéma du circuit auxiliaire d'entrée à contact sec	176
11-6	Entrées de température du boîtier de la batterie externe	176
11-7	Entrée d'état de la batterie externe	176
11-8	Détail de l'interface de sortie à contact sec	177
11-9	Schéma du circuit de sortie à contact sec	178
11-10	RS 232 Schéma du circuit du port série	178
11-11	Port de configuration parallèle	178
12	Spécifications	179
12-1	Spécifications techniques de l'onduleur	179
12-2	Tableau de la charge sur le plancher de l'onduleur	179
12-3	Tableau de la charge sur le plancher du bloc-batterie	179
13	Entreposage et entretien	180
14	Garantie	180
English		1
Español		61
Русский		181

Les onduleurs triphasés SmartOnline de Tripp Lite (Modèles SU20KX, SU40KX, SU60KX et SU80KX) sont idéaux pour sauvegarder et protéger les données des centres informatiques, des réseaux de télécommunication (VoIP), des réseaux, des établissements industriels, des systèmes de sécurité/d'urgence et plus.

Caractéristiques de pointe :

- Technologie supérieure de double conversion en ligne avec inverseur IGBT.
- Courant faible à l'entrée THD permettant un calibrage 1/1 du générateur pour une efficacité et une économie de coûts maximum.
- Module d'alimentation à redondance interne N+1 (SU40KX, SU60KX et SU80KX)
- Fonction de redondance (1+1) active ou passive intégrée pour une capacité et une tolérance aux pannes accrues.
- Capacité pouvant atteindre jusqu'à 80 kVA dans un faible encombrement; jusqu'à 160 kVA dans une configuration de capacité en parallèle
- Facteur de puissance élevé à l'entrée, efficacité élevée combinée à une faible perte thermique et un faible bruit.
- Conception de système simplifiée, facile à réparer, à durée de vie prolongée et grande disponibilité.
- Circuits auxiliaires d'alimentation et de contrôle redondants.
- Conception à deux entrées séparées pour redresseur et dérivation.
- Tous les modèles proposent des boîtiers de batterie externe pour un temps d'exécution prolongé sur batterie de secours.
- L'écran d'état ACL à haute résolution simplifie l'opération et fournit des renseignements opérationnels détaillés, incluant les schémas fonctionnels du système.



2 – Instructions importantes concernant la sécurité

CONSERVEZ CES INSTRUCTIONS

Toutes les sections de ce manuel contiennent des instructions et des avertissements qui doivent être suivis durant l'installation et l'exploitation de l'onduleur décrit dans ce manuel. Lire soigneusement toutes les instructions avant de tenter de déplacer, d'installer ou de faire fonctionner l'onduleur décrit dans ce manuel. Un non respect des instructions pourrait invalider la garantie et causer des dommages matériels et/ou des blessures.

Avertissements concernant l'emplacement

- Installer l'onduleur dans un environnement intérieur contrôlé, à l'abri de l'humidité, des variations extrêmes de température, des liquides et gaz inflammables, des contaminants conducteurs, de la poussière et de la lumière directe du soleil.
- Installer l'onduleur dans un emplacement à niveau et à structure portante solide.
- L'onduleur est extrêmement lourd; soyez extrêmement prudent lorsque vous le déplacez ou le soulevez.
- Faire fonctionner l'onduleur à des températures intérieures variant entre 0 °C et 40 °C uniquement. Pour de meilleurs résultats, maintenir la température intérieure entre 17 °C et 29 °C.
- Laisser un espace adéquat de tous les côtés de l'onduleur pour permettre une ventilation appropriée. Ne pas bloquer, recouvrir ou insérer des objets dans les ouvertures de ventilation externes du boîtier.
- Ne pas placer d'objets quelconques sur l'appareil, particulièrement s'ils contiennent des liquides.
- Ne pas installer l'appareil en plaçant le panneau avant ou arrière vers le sol (ou à angle). Un tel montage peut gravement inhiber le refroidissement interne de l'appareil, provoquant éventuellement des dommages non couverts sous garantie.
- Ne pas installer l'onduleur près de supports magnétiques, parce que cela peut entraîner la corruption des données. Maintenir tous les supports magnétiques enregistrés à un minimum de 60 cm de distance de l'onduleur.
- Ne pas tenter d'empiler l'onduleur. Empiler l'onduleur pourrait causer des dommages permanents et générer un risque de blessures personnelles graves.
- Les roulettes ne sont conçues que pour effectuer des ajustements mineurs de position à l'intérieur de la zone d'installation définitive. Les roulettes ne sont pas conçues pour déplacer l'onduleur sur de plus longues distances.
- Les roulettes ne sont pas conçues pour supporter l'onduleur à long terme après son installation définitive. Utiliser les vérins de calage pour supporter l'appareil à long terme.
- Toujours déplacer l'onduleur en poussant vers l'avant ou vers l'arrière, jamais vers les côtés.
- Ne pas tenter de déballer ou de déplacer l'onduleur sans aide.

Avertissements concernant les connexions

- **L'onduleur doit être alimentée par un courant triphasé dont les valeurs correspondent à celles de la plaque signalétique de l'équipement. Elle doit aussi être correctement reliée à la terre et câblée conformément à tous les codes, réglementations et standards de câblages électriques locaux et nationaux applicables.**
- L'onduleur contient des éléments sous haute tension dangereux qui présentent un risque de blessure ou de mort par électrocution.
- L'onduleur possède sa propre source d'énergie (batterie – interne et/ou externe). Les bornes de sortie peuvent être sous tension même lorsque l'onduleur n'est pas connecté au CA.
- Si l'onduleur est alimenté par une génératrice de CA à moteur, la génératrice doit fournir une puissance propre, filtrée, convenable pour les ordinateurs.
- L'utilisation de cet appareil pour des systèmes de maintien des fonctions vitales, où l'on pourrait s'attendre à ce qu'une défaillance de cet appareil puisse raisonnablement causer la défaillance du système de maintien des fonctions vitales ou affecter sa sécurité ou son efficacité de façon significative n'est pas recommandée. Ne pas utiliser cet appareil en présence d'un mélange anesthésique inflammable à l'air, à l'oxygène ou à l'oxyde de diazote.
- L'onduleur est conçu pour l'alimentation d'ordinateurs modernes et des dispositifs périphérique associés. Ne pas utiliser l'onduleur pour l'alimentation de charges inductives ou capacitives pures.
- Le câblage d'entrée/sortie ne doit être effectué que par un électricien formé et qualifié.
- En raison d'un fort courant de fuite, il est essentiel d'avoir une bonne connexion de mise à la terre avant de brancher l'alimentation en CA.
- Isoler l'onduleur avant d'effectuer des travaux sur le circuit. Un dispositif de débranchement facilement accessible doit être incorporé dans le câblage fixe. Le déconnecteur doit déconnecter tous les conducteurs série simultanément lorsqu'il est ouvert.

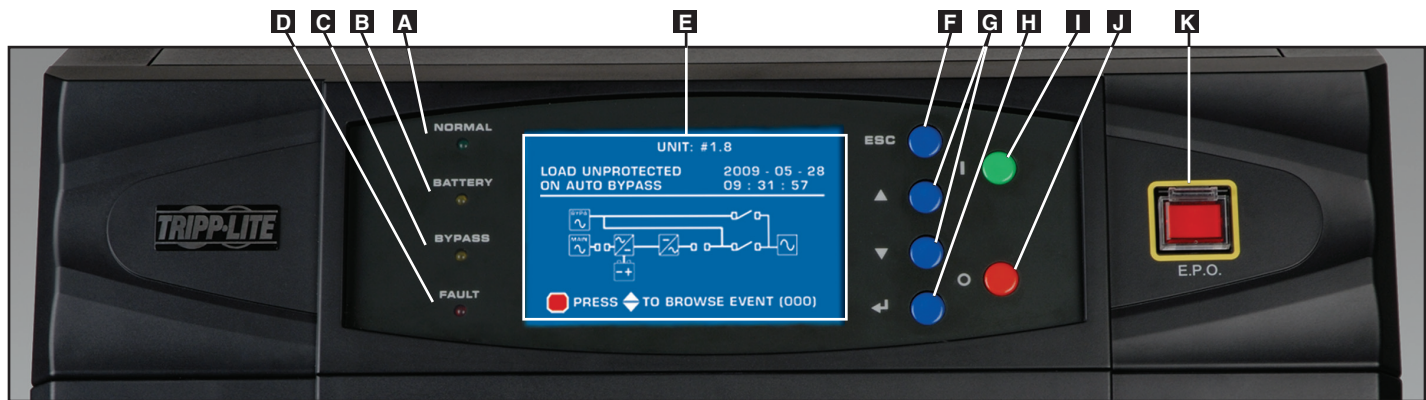
Avertissements concernant la batterie

- L'onduleur ne requiert pas d'entretien régulier. Il ne comporte aucune pièce à entretenir à l'intérieur. Seul un personnel qualifié devrait être autorisé à ouvrir les panneaux d'accès, pour quelque raison que ce soit.
- Les batteries présentent un risque de choc électrique et de brûlures causés par le courant de court-circuit élevé. La connexion de la batterie ou son remplacement ne devrait être effectué que par un personnel de service qualifié, en observant les précautions appropriées. Éteindre l'onduleur avant de brancher ou débrancher les batteries internes. Utiliser des outils à manche isolé. Ne pas ouvrir les batteries. Ne pas court-circuiter ou joindre les bornes de la batterie avec un objet.
- Remplacer les batteries par des batteries équivalentes, disponibles chez Tripp Lite. Ne pas faire fonctionner l'onduleur sans batteries.
- Les batteries sont recyclables. Se reporter à la réglementation locale en matière d'élimination.
- Ne pas éliminer les batteries en les brûlant, ne pas les mutiler ou ouvrir l'enveloppe de la batterie.
- Les fusibles de la batterie ne doivent être remplacés que par un personnel de service qualifié. Les fusibles brûlés doivent être remplacés par des fusibles de même type et portant un numéro identique.
- Tant que la batterie est branchée, l'onduleur présente un risque de surtension potentiellement mortel. L'entretien et les réparations ne doivent être effectués que par un personnel formé, alors que l'onduleur est désactivé ou mis en mode de dérivation. Débrancher les batteries internes (si les batteries sont présentes) avant d'exécuter tout entretien en fermant le disjoncteur pour mettre les batteries internes hors circuit et en enlevant le(s) fusible(s) de la batterie. Débrancher les batteries externes (si les batteries sont présentes) en fermant le disjoncteur pour mettre les batteries externes hors circuit et en débranchant le câblage de la batterie externe de l'onduleur.
- Ne pas brancher ou débrancher les batteries lorsque l'onduleur est alimenté par les batteries ou lorsque l'appareil n'est pas en mode de dérivation.
- Ne pas enlever les gaines de plastique couvrant les batteries internes.
- Les batteries internes et externes doivent être remplacées par des batteries équivalentes disponibles chez Tripp Lite.
- Lire la documentation concernant le boîtier de la batterie externe avant de connecter le boîtier de la batterie externe à l'onduleur. N'utiliser que les boîtiers de batterie externe approuvés par Tripp Lite.
- Si l'onduleur reste éteint pendant une durée de temps prolongée, il devrait être activé périodiquement afin que les batteries se rechargent. L'onduleur doit être activé et les batteries doivent être rechargées pendant une période ininterrompue d'au moins 24 heures tous les 3 mois. L'omission de recharger périodiquement les batteries peut causer des dommages irréversibles à la batterie.

Avertissements concernant le câblage

- Voir la [Section 7-1](#) pour les avertissements concernant le câblage.

3 – Caractéristiques du tableau de commande



- A** **Témoin DEL « NORMAL »** : Ce voyant vert allumé indique que l'onduleur est en mode en ligne (normal). L'alimentation du secteur en CA est présente et fonctionne à l'intérieur des limites des paramètres normaux d'exploitation.
- B** **Témoin DEL « BATTERY »** : Ce voyant ambre s'allume lorsque l'onduleur est en mode batterie de secours, s'alimentant à partir des batteries pour fournir le courant à l'appareil qui y est branché. Une alarme sonore se fera également entendre.
- C** **Témoin DEL « BYPASS »** : Ce voyant ambre s'allume lorsque l'onduleur est en mode de dérivation (dérivation automatique ou dérivation manuelle). Le courant provenant de la batterie de secours ne sera pas disponible tant que l'onduleur est en mode de dérivation, mais les besoins en courant de l'appareil seront fournis par la source d'alimentation électrique de dérivation (de réserve).
- D** **Témoin DEL « FAULT »** : Ce voyant rouge s'allume lors de toute défaillance de l'onduleur ou panne de courant. Les renseignements disponibles pour le diagnostic s'afficheront sur l'écran ACL.
- E** **Écran d'état ACL** : L'écran d'état ACL allumé affiche des renseignements sous forme de texte et de graphiques fournissant une grande quantité de données portant sur les conditions d'opération de l'onduleur et le diagnostic. *Remarque : L'écran ACL rétroéclairé s'éteindra après 10 minutes d'inactivité. Vous pouvez le réactiver en appuyant brièvement sur la touche ON ou sur une des touches de défilement.*
- F** **Touche « ESC » (échappement)** : Appuyer sur cette touche pour retourner à la page précédente ou au menu.
- G** **Touches de défilement (▲ et ▼)** : Appuyer sur ces touches pour déplacer le curseur vers le haut ou vers le bas et naviguer dans les menus et écrans du tableau de commande. Ces touches sont également utilisées pour l'entrée de données dans plusieurs écrans.
- H** **Touche d'entrée (←)** : Appuyer sur cette touche pour sélectionner une commande du menu ou confirmer un changement de paramètre.
- I** **Touche ON** : Presser et tenir cette touche pendant 3 secondes pour mettre l'inverseur de l'onduleur en marche.
- J** **Touche OFF** : Presser et tenir cette touche pendant 3 secondes pour éteindre l'inverseur de l'onduleur. Si l'onduleur est en mode en ligne (normal), il passera en mode de dérivation. *Remarque : La mise hors tension de l'onduleur n'interrompt pas la phase du convertisseur de l'onduleur et par conséquent, la batterie connectée continue de charger comme requis.*

Remarque : Après la mise hors tension de l'onduleur, si le coupe-circuit de la batterie ou le coupe-circuit de l'entrée secteur de CA sont et restent ouverts pendant une période de temps prolongée, les batteries devraient être régulièrement rechargées. Au minimum, les batteries devraient être rechargées pendant une période de 24 heures sans interruption tous les 3 mois pour préserver au maximum leur durée de vie. Ne pas recharger les batteries peut causer des dommages irréversibles à ces dernières.

- K** **Touche d'interrupteur d'urgence « EPO »** : appuyer sur cette touche pour activer l'arrêt d'urgence de la sortie de l'onduleur et désactiver la dérivation.

Si l'onduleur est en mode batterie de secours lorsque la touche EPO est activée :

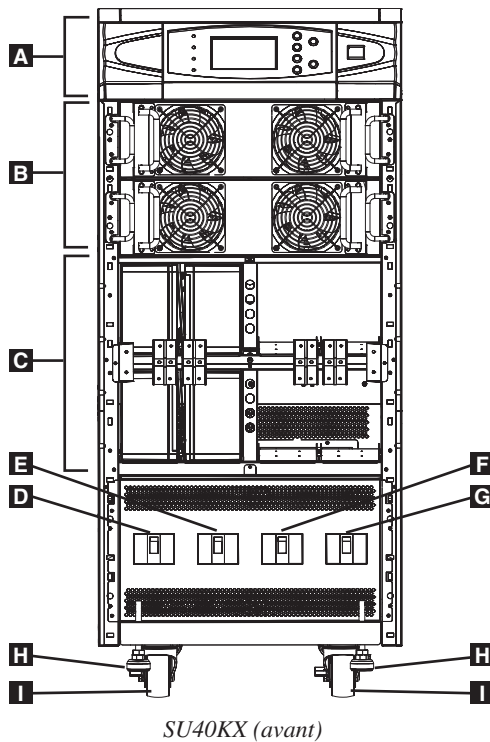
- La sortie principale et la sortie de dérivation sont désactivées, une alarme se fait entendre, la ventilation s'arrête après environ une minute et le circuit de commande reste activé.
- Le déclenchement de la touche EPO (en appuyant à nouveau) éteint complètement l'onduleur, y compris l'alarme et le circuit de commande. Appuyer sur la touche ON pendant 3 secondes pour redémarrer l'onduleur.

Si l'onduleur est en mode en ligne (normal) lorsque la touche EPO est activée :

- La sortie principale et la sortie de dérivation sont désactivées, une alarme se fait entendre, la ventilation et le circuit de commande restent activés.
- Le déclenchement de la touche EPO (en appuyant à nouveau) éteint l'alarme et met l'onduleur en mode de dérivation. Appuyer sur la touche ON pendant 3 secondes pour redémarrer l'onduleur.

Voir la [Section 10 – Affichage et Configuration](#) pour des renseignements détaillés à propos des menus et affichages du tableau de commande.

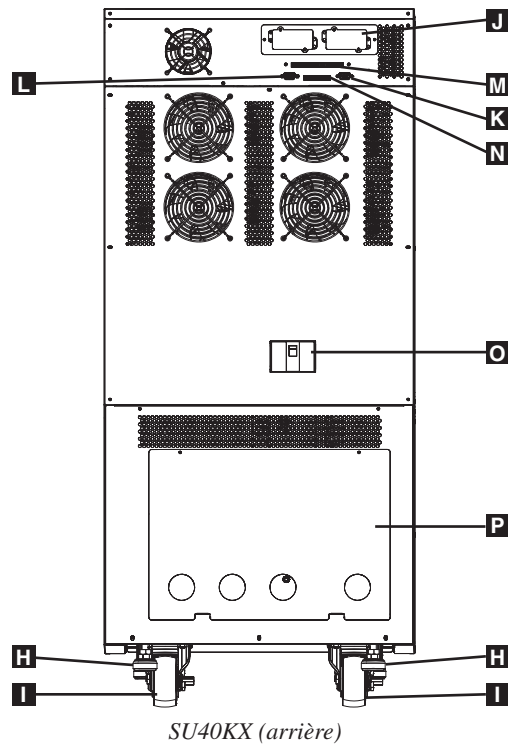
4 – Fonctionnalités des panneaux avant et arrière



SU40KX (avant)

Remarque : Les modèles individuels peuvent être différents du schéma. Les plaques avant ont été enlevées pour cette représentation de l'appareil.

- A** **Tableau de commande** : Le tableau de commande permet à l'opérateur de surveiller et de contrôler l'onduleur. Voir la [Section 3 – Caractéristiques du tableau de commande](#) pour plus d'information.
- B** **Modules d'alimentation internes** : Les modules d'alimentation internes de 20 kVA peuvent être remplacés sur le terrain sans qu'il soit nécessaire de couper le courant aux appareils qui y sont branchés. Le nombre de modules d'alimentation internes varie selon le modèle. Les modules d'alimentation internes sont capables d'une redondance n+1 dans les modèles SU40KX, SU60KX et SU80KX.
- C** **Compartiment du bloc batterie interne (SU20KX et SU40KX seulement)** : les batteries internes doivent être connectées par un électricien qualifié. Voir la [Section 6 – Connexion de la batterie interne](#) pour plus d'information.
- D** **Commutateur du disjoncteur de sortie (Q4)** : Contrôle la sortie du CA.
- E** **Commutateur du disjoncteur de dérivation manuelle (Q3)** : Contrôle l'entrée du CA à l'onduleur pendant qu'il fonctionne en mode de dérivation manuelle.
- F** **Commutateur du disjoncteur d'entrée de dérivation (Q2)** : Contrôle l'entrée du CA à l'onduleur pendant qu'il fonctionne en mode de dérivation automatique.
- G** **Commutateur du disjoncteur d'entrée principale (Q1)** : contrôle l'entrée du CA à l'onduleur pendant qu'il fonctionne en mode en ligne (normal).
- H** **Vérins de calage** : Les vérins de calage servent à supporter l'onduleur à long terme.
- I** **Roulettes** : Les roulettes ne sont conçues que pour effectuer des ajustements mineurs de position à l'intérieur de la zone d'installation définitive; elles ne sont pas conçues pour déplacer l'onduleur sur de plus longues distances. Les roulettes ne sont pas conçues pour supporter l'onduleur à long terme après son installation définitive. Utiliser les vérins de calage pour supporter l'appareil à long terme.



Remarque : Les modèles individuels peuvent être différents du schéma. Les plaques avant ont été enlevées pour cette représentation de l'appareil.

- H Vérins de calage :** Les vérins de calage servent à supporter l'onduleur à long terme.
- I Roulettes :** Les roulettes ne sont conçues que pour effectuer des ajustements mineurs de position à l'intérieur de la zone d'installation définitive; elles ne sont pas conçues pour déplacer l'onduleur sur de plus longues distances. Les roulettes ne sont pas conçues pour supporter l'onduleur à long terme après son installation définitive. Utiliser les vérins de calage pour supporter l'appareil à long terme.
- J Fente pour accessoires :** Enlever le panneau fermant cette fente pour installer l'accessoire SNMPWEBCARD de Tripp Lite. L'accessoire SNMPWEBCARD fournit une interface Ethernet pour l'onduleur et permet de surveiller et contrôler l'appareil à distance via SNMP, un navigateur pour le web ou telnet. Visitez www.tripplite.com pour de plus amples informations au sujet de l'accessoire SNMPWEBCARD.
- K Port de communication en série RS 232 :** Ce port DB9 connecte l'onduleur aux serveurs ou postes de travail compatibles, ce qui permet l'arrêt automatique pendant les pannes prolongées et la surveillance des conditions de fonctionnement et de l'alimentation.
- L Port de configuration parallèle :** Ce port DB9 connecte l'onduleur à un autre onduleur de catégorie et de capacité identique pour utilisation dans une configuration de redondance parallèle (1+1). Voir la [Section 7 – Câblage](#) et la [Section 8 – Modes de fonctionnement](#) pour plus d'information.
- M Interface d'entrée à contact sec :** Cette interface reçoit les signaux du contact sec qui permettent à l'onduleur de recevoir les commandes et de surveiller les conditions de la batterie externe. Voir la [Section 11 - Communications](#) pour plus d'information.
- N Interface de sortie à contact sec :** Cette interface permet à l'onduleur d'envoyer de l'information via les transmissions de données par contact sec. Voir la [Section 11 – Communications](#) pour plus d'information.
- O Commutateur du disjoncteur de batterie interne (Q5) (SU20KX et SU40KX seulement) :** Contrôle l'entrée/sortie de courant des batteries internes de l'onduleur.
- P Couvercle du bornier :** Enlever le couvercle du bornier pour accéder aux bornes de connexion d'entrée, de dérivation, du boîtier de la batterie externe, de sortie et de mise à la masse de l'onduleur. Les conduits de câblage passent au travers des alvéoles circulaires défonçables qui se trouvent dans le couvercle du bornier. Voir la [Section 7 – Câblage](#) pour plus d'information, incluant un schéma détaillé du bornier.

5 – Installation du boîtier



Lire la **Section 2 – Instructions importantes concernant la sécurité** avant l'installation

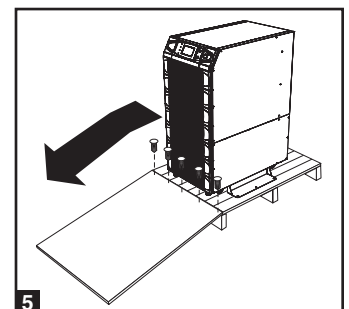
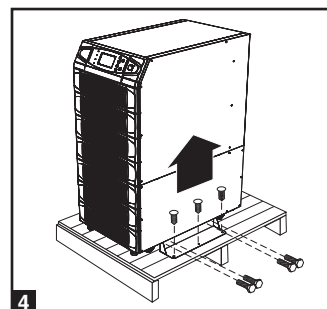
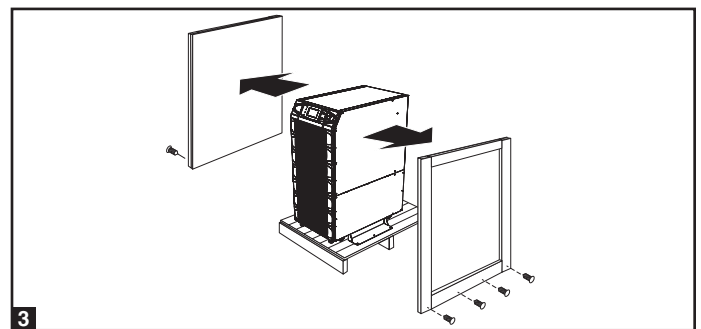
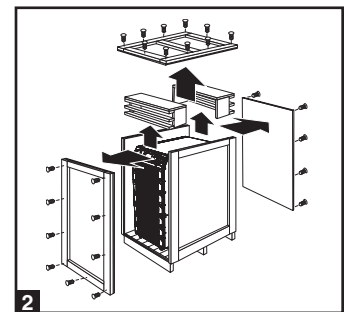
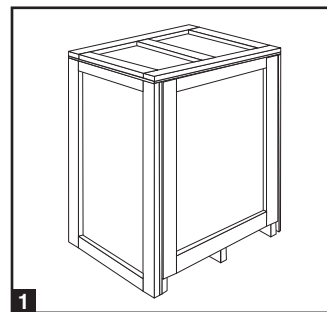


5-1 Préparation

L'onduleur doit être installé dans une zone à structure portante solide, sur un sol à niveau capable de supporter le poids de l'onduleur, de tout boîtier de batterie externe et de tout autre appareil installé à proximité. L'emplacement choisi pour l'installation doit également disposer d'un circuit CA spécialisé compatible avec les exigences d'entrée de l'onduleur. (Voir la **Section 12 – Spécifications** pour des détails sur les exigences en matière d'entrée et de charge sur le plancher.) Avant de déballer l'appareil, il est recommandé de transporter le contenant d'expédition à proximité du site d'installation définitif de manière à minimiser la distance sur laquelle l'appareil devra être déplacé une fois que le contenant d'expédition protecteur aura été enlevé. Si vous comptez entreposer l'onduleur pendant une période de temps prolongée avant sa mise en fonction, suivez les instructions apparaissant à la **Section 13 – Entreposage et entretien**. (Des instructions pour le déballage et pour l'entreposage apparaissent aussi sur le feuillet « Déballage du produit et instructions pour l'entreposage » fixé au contenant d'expédition). **Avertissement : ne pas tenter de déballer ou de déplacer l'onduleur sans aide.**

5-2 Déballage du produit

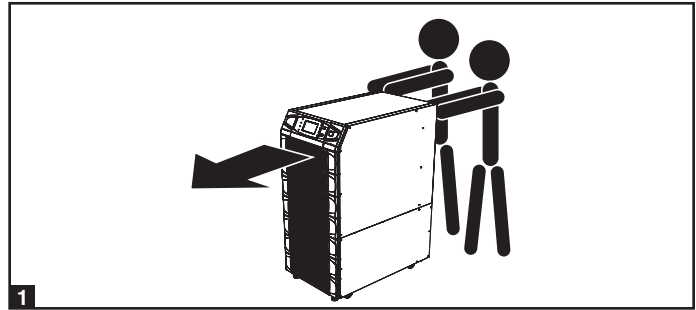
- 1 Inspecter le(s) contenant(s) d'expédition à la recherche de dommages visibles. Si vous jugez que l'appareil a été endommagé pendant le transport, communiquez avec Tripp Lite pour obtenir de l'aide. Ne pas tenter d'utiliser l'onduleur s'il a été endommagé ou manipulé de façon inadéquate.
- 2 Assurez-vous que le contenant d'expédition soit en position debout et utilisez un tournevis pour enlever le panneau supérieur et les panneaux avant et arrière. Enlever également le film de plastique et le rembourrage intérieur anti-chocs. Vérifier que le nom et les spécifications du modèle apparaissant à l'arrière du boîtier correspondent à l'appareil que vous avez commandé. Examiner le boîtier à la recherche de tout dommage ou de pièces mobiles. Vérifier que les accessoires devant être expédiés avec l'appareil sont dans le contenant d'expédition. Le système d'onduleur doit inclure un câble série RS 232, un câble parallèle de redondance, un connecteur à distance EPO, un connecteur d'entrée à contact sec (4 contacts), un connecteur de sortie à contact sec (12 contacts) ainsi qu'un logiciel sur CD-ROM. Si un élément est manquant ou endommagé, communiquer avec Tripp Lite pour obtenir de l'assistance.
- 3 Vérifier que l'appareil est stable, puis enlever les panneaux de côté du contenant d'expédition.
- 4 Enlever les boulons des supports d'expédition fixant l'appareil à la palette, puis enlever les supports d'expédition de l'onduleur. **Avertissement : soyez extrêmement prudents, car l'appareil pourrait basculer de manière inattendue.**
- 5 Utiliser plusieurs des vis retirées à l'étape 2 pour attacher le panneau supérieur du contenant d'expédition à la bordure avant de la palette d'expédition. La surface lisse du panneau doit être placée vers le haut de façon à ce qu'il puisse être utilisé en tant que rampe pour faire rouler l'appareil hors de la palette d'expédition. Ne pas utiliser le panneau supérieur comme rampe s'il est fissuré ou endommagé de toute autre manière. Assurez-vous que les roulettes fixées sous l'appareil soient déverrouillées. Avec une extrême prudence, faire rouler l'appareil doucement sur la rampe, en vous faisant aider de plusieurs personnes.



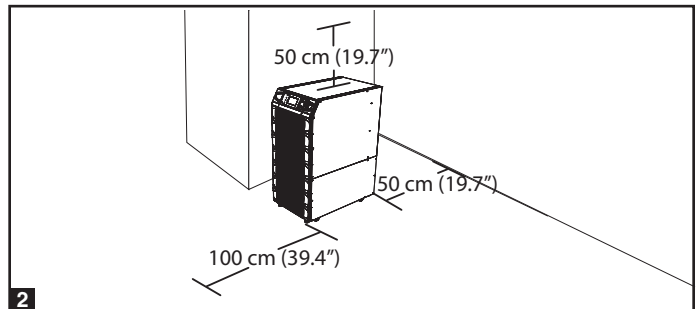
5 – Installation du boîtier (suite)

5-3 Mise en place

1 Utiliser les roulettes pour déplacer l'onduleur sur de courtes distances et sur une surface de niveau, lisse et stable. Ne pas tenter d'utiliser les roulettes pour déplacer l'onduleur sur de plus longues distances. Avant de déballer l'appareil, il est recommandé de transporter l'onduleur dans son contenant d'expédition à proximité du site d'installation définitif. Utiliser un appareil mécanique suffisamment puissant pour déplacer le contenant d'expédition. **Avertissement : L'onduleur pourrait basculer s'il est déplacé sur une surface instable. Soyez extrêmement prudent lorsque vous déplacez l'onduleur. Toujours déplacer l'onduleur en poussant vers l'avant ou vers l'arrière, jamais vers les côtés.**



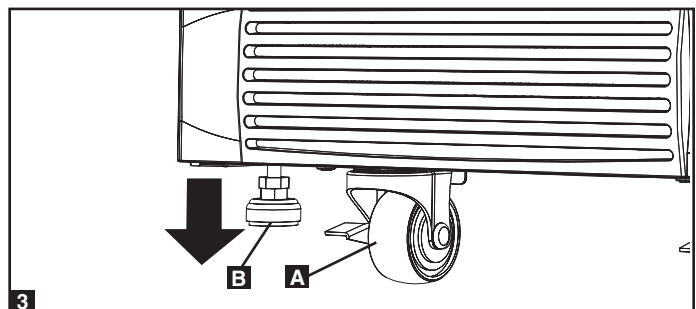
2 L'onduleur doit être installé dans une zone à structure portante solide, sur un sol à niveau capable de supporter le poids de l'onduleur, de tout boîtier de batterie externe et de tout autre appareil installé à proximité. L'emplacement choisi pour l'installation doit également disposer d'un circuit CA spécialisé compatible avec les exigences d'entrée de l'onduleur. (Voir la **Section 12 – Spécifications** pour des détails sur les exigences en matière d'entrée et de charge sur le plancher). L'onduleur doit être installé dans un environnement propre et sécuritaire et où l'humidité relative ne dépasse pas 90 % (sans condensation). Faire fonctionner l'onduleur à des températures intérieures variant entre 0 °C et 40 °C uniquement). Utiliser des conduits protecteurs adaptés pour éviter d'endommager les câbles. Les espaces de dégagement suivants sont nécessaires pour assurer une circulation d'air adéquate et permettre l'entretien :



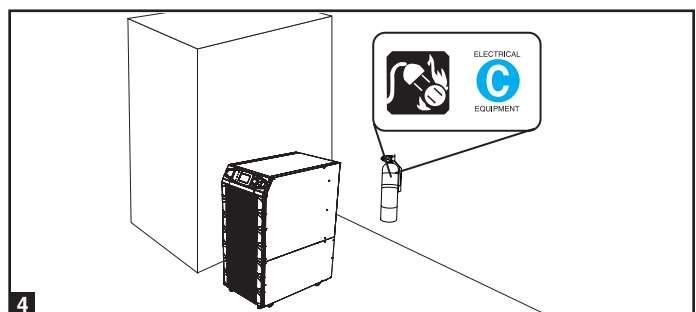
- Au moins 100 cm de dégagement en avant de l'onduleur.
- Au moins 50 cm de dégagement derrière l'onduleur.
- Au moins 50 cm de dégagement au dessus de l'onduleur.

Avertissement : Le système de ventilation déplace l'air de l'avant vers l'arrière. Ne pas utiliser un système de climatisation ou un ventilateur qui souffle l'air directement vers l'arrière de l'onduleur.

3 Après avoir déplacé l'onduleur vers son emplacement final, bloquer les roulettes **A** et utiliser les vérins de calage **B** pour stabiliser le boîtier. Vérifier que chacun des quatre vérins de calage entre en contact avec le plancher.



4 En cas d'urgence, installer un extincteur approuvé pour les incendies causés par l'appareillage électrique (de Classe C ou son équivalent exact, utilisant un agent extincteur non conducteur) près de l'onduleur.



6 – Connexion de la batterie interne (Modèles SU20KX et SU40KX seulement)



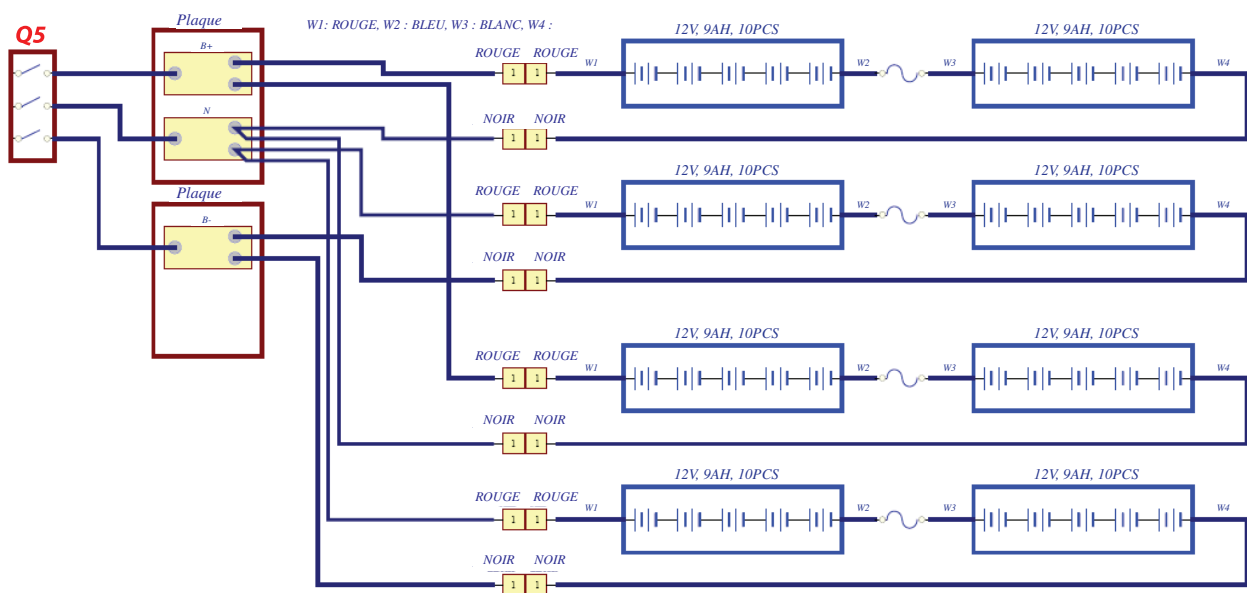
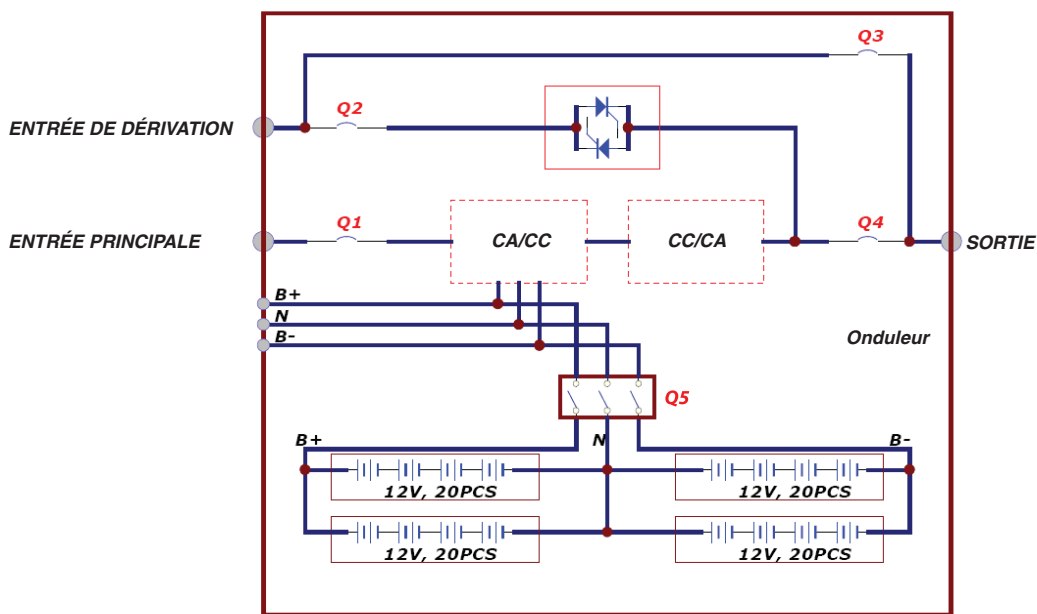
DANGER! HAUTE TENSION POTENTIELLEMENT MORTELLE!

Les batteries présentent un danger de haute tension potentiellement mortel, même lorsqu'elles ne sont pas connectées à un onduleur. La connexion de la batterie ne doit être effectuée que par un personnel de service qualifié, en respectant toutes les précautions décrites dans ce manuel ainsi que le code de l'électricité local. Lire la [Section 2 – Instructions importantes concernant la sécurité](#) avant l'installation.

Connexion de la batterie interne pour les modèles SU20KX et SU40KX seulement. Chaque bloc-batterie interne se compose de deux chaînes de batteries : une chaîne ayant un câble noir et une chaîne ayant un câble rouge. Le nombre de blocs-batteries internes varie selon le modèle.

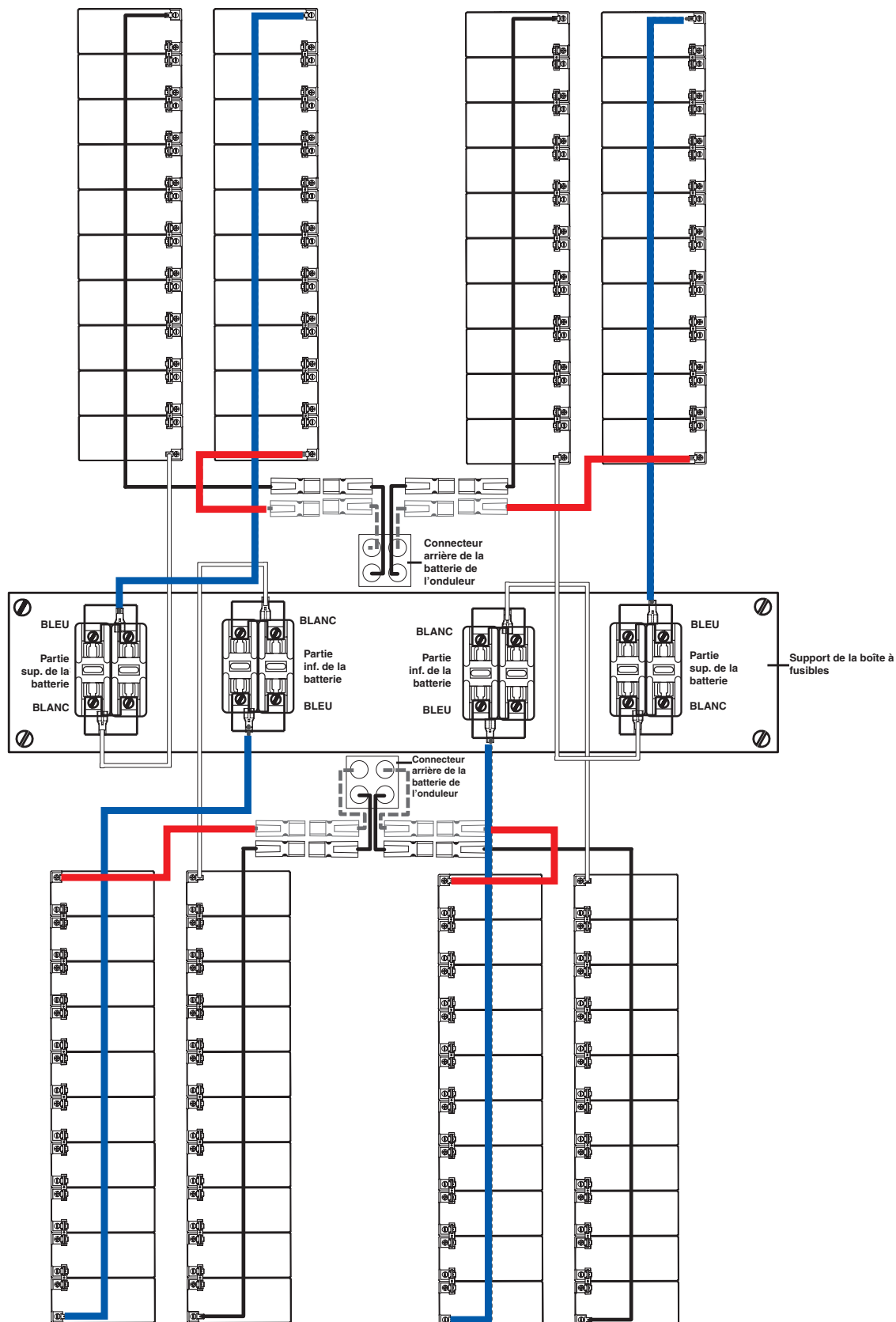
6-1 Schémas de câblage des batteries internes

Examiner les schémas de câblage des batteries internes avant de connecter les batteries internes. L'onduleur peut comporter jusqu'à quatre blocs-batteries internes (chaque bloc se compose de deux chaînes; chaque chaîne se compose de 10 batteries). Le nombre de blocs-batteries internes varie selon le modèle.



6 – Connexion de la batterie interne (suite)

6-1 Schémas de câblage des batteries internes (suite)

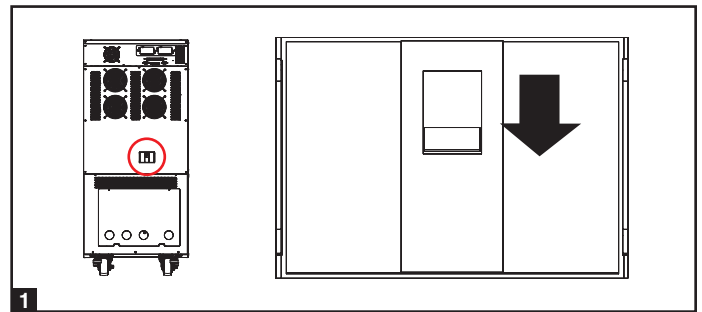


SU40KX

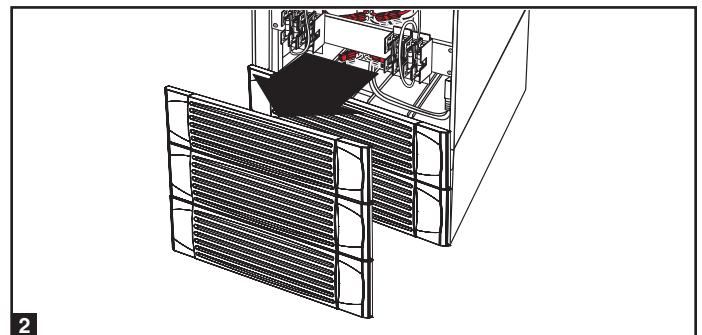
6 – Connexion de la batterie interne (suite)

6-2 Procédure de connexion de la batterie interne

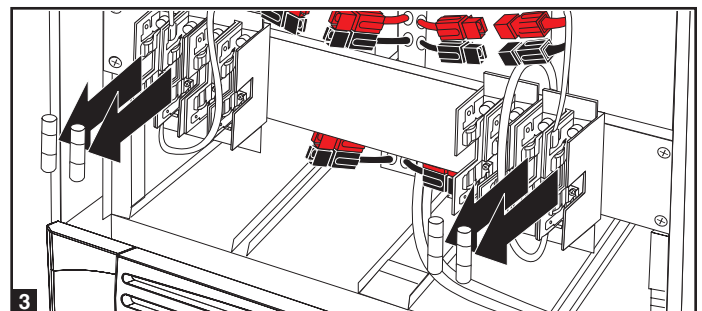
- 1 Placer l'onduleur en mode de dérivation (ou l'éteindre complètement) et éteindre le commutateur du disjoncteur de la batterie interne situé à l'arrière de l'onduleur.



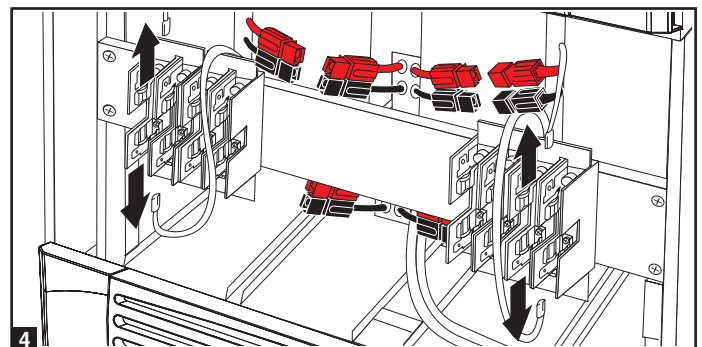
- 2 Enlever les plaques d'accès à la batterie situées à l'avant de l'onduleur.



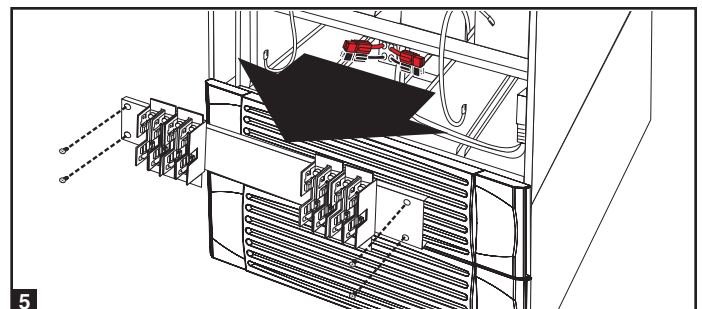
- 3 Enlever les fusibles à cartouche de la batterie de chaque boîte à fusibles.



- 4 Débrancher les câbles de pontage bleus et blancs attachés à chaque boîte à fusibles. **Avertissement : Pour débrancher les câbles de pontage, les tirer directement à partir de la boîte à fusibles avec un geste régulier. Ne pas les déplacer de droite à gauche, cela pourrait endommager le raccord.**



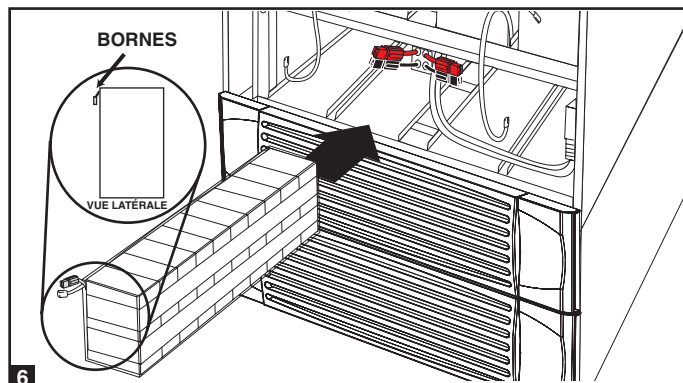
- 5 Enlever le support de la boîte à fusibles. Noter son orientation avant de le démonter.



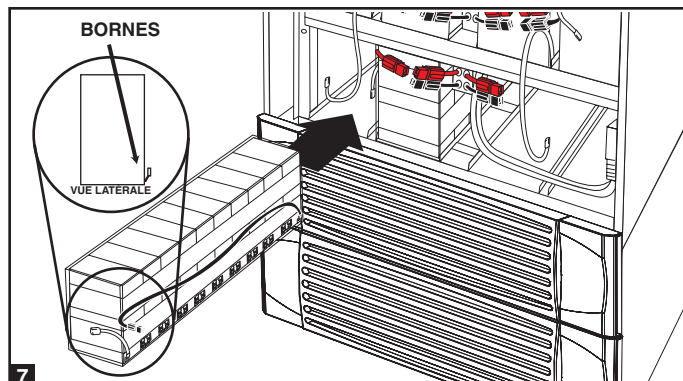
6 – Connexion de la batterie interne (suite)

6-2 Procédure de connexion de la batterie interne (suite)

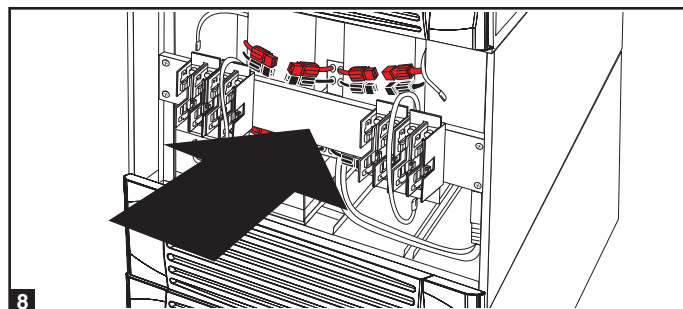
- 6** Glisser une chaîne de batteries ayant un câble rouge dans une fente vide à l'intérieur du compartiment de la batterie. S'assurer que la chaîne de batteries soit orientée tel que montré dans le schéma.
Remarque : Commencer par les fentes vides situées dans la partie inférieure du compartiment de la batterie et continuer en direction des fentes vides situées dans la partie supérieure du compartiment de la batterie.



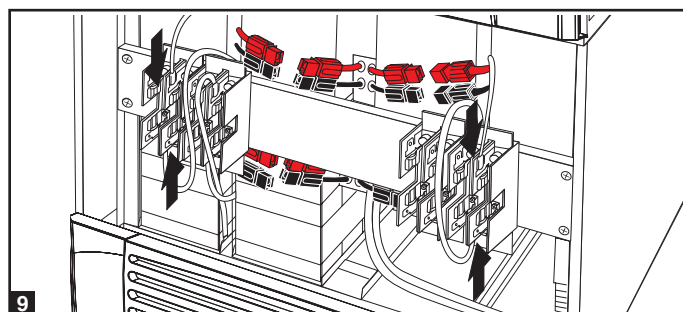
- 7** Glisser une chaîne de batteries ayant un câble noir dans une fente vide à l'intérieur du compartiment de la batterie, à côté de la chaîne de batteries que vous avez insérée à l'étape 6. S'assurer que la chaîne de batteries soit orientée tel que montré dans le schéma. Répéter les étapes 6 et 7 selon les besoins jusqu'à ce que toutes les chaînes de batteries aient été insérées dans les fentes vides de la batterie. *Remarque : Il est possible que certaines des fentes du compartiment de la batterie demeurent vides, en fonction du modèle de l'onduleur.*



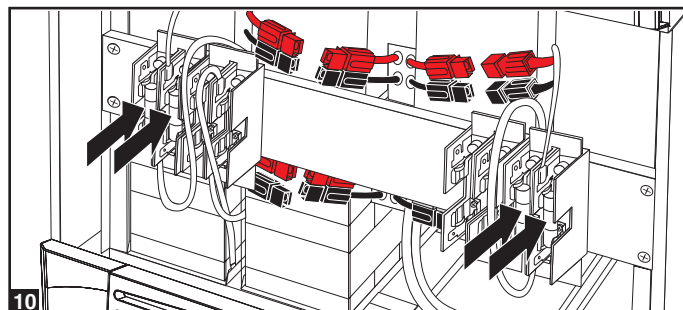
- 8** Raccorder le support de la boîte à fusibles. (Les lettres apparaissant sur le support de la boîte à fusibles doivent être à l'endroit lorsqu'il est positionné correctement).



- 9** Brancher les câbles de pontage bleus et blancs de chaque bloc-batterie interne à la boîte à fusibles correspondante. L'étiquette apposée à côté de la boîte à fusibles identifie la correspondance entre les boîtes à fusibles et les câbles.



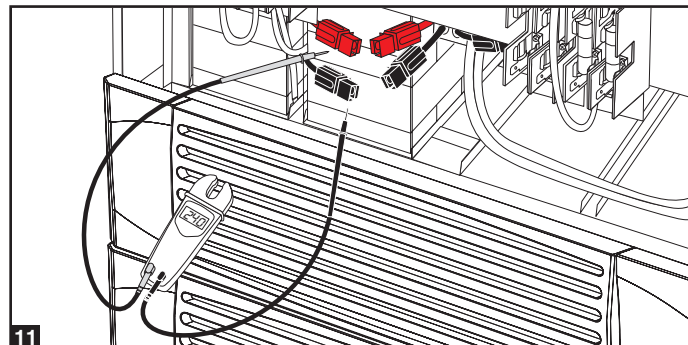
- 10** Insérer les fusibles à cartouche de la batterie dans chaque boîte à fusibles. Les fusibles sont interchangeables. S'assurer que les fusibles sont enclenchés fermement en place. **Avertissement :** Les fusibles à cartouche de la batterie doivent être insérés en dernier en raison du risque de production d'arc électrique des connecteurs. Les fusibles grillés doivent être remplacés par un électricien qualifié. Toujours remplacer par des fusibles de même catégorie et capacité.



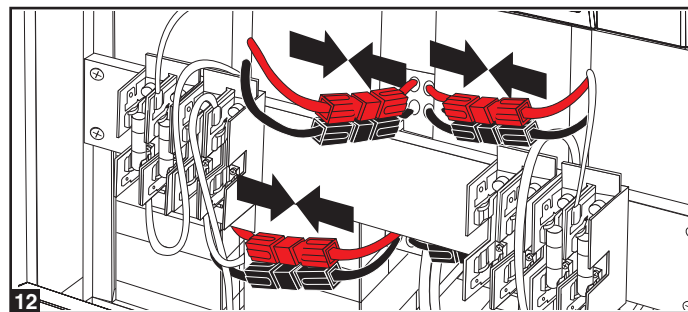
6 – Connexion de la batterie interne (suite)

6-2 Procédure de connexion de la batterie interne (suite)

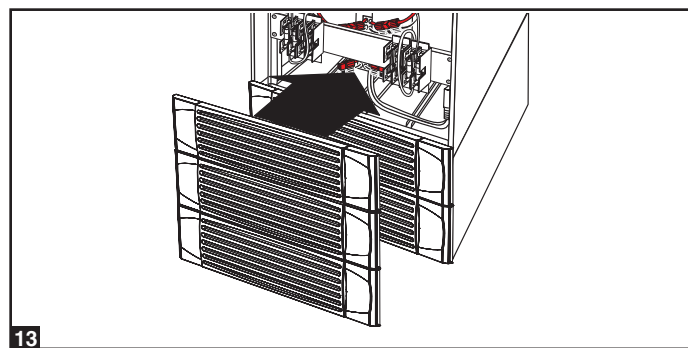
11 Utiliser un voltmètre (fourni par l'utilisateur) pour tester la tension de chaque bloc-batterie interne. Tout en respectant la polarité spécifique, brancher la sonde **noire** du voltmètre au connecteur **noir** du bloc-batterie; brancher la sonde **rouge** du voltmètre au connecteur **rouge** du bloc-batterie. S'assurer que les sondes du voltmètre touchent les contacts à l'intérieur des connecteurs du bloc-batterie. La plage acceptable de tension CC du bloc-batterie se situe entre 220 V et 280 V CC (puissance nominale de 240 V CC). Si plusieurs tests de voltmètre produisent des résultats situés en dehors de la plage acceptable de tension CC, communiquer avec Tripp Lite pour obtenir de l'aide afin de déterminer les causes possibles des lectures de tension incorrectes avant de continuer.



12 Brancher le câble **noir** de chaque bloc-batterie interne au connecteur **noir** situé à l'intérieur du compartiment de la batterie de l'onduleur le plus près. Brancher le câble **rouge** de chaque bloc-batterie interne au connecteur **rouge** situé à l'intérieur du compartiment de la batterie de l'onduleur le plus près.
Avertissement : respecter la polarité spécifique en reliant les fils négatifs (noir avec noir) et positifs (rouge avec rouge). Ne pas respecter la polarité endommagera l'onduleur et créera un risque sérieux de blessure et de dommages matériels.

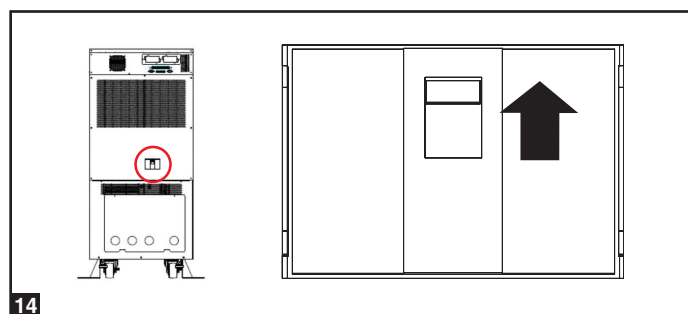


13 Remettre les plaques d'accès à la batterie en place.



14 Suivez la bonne procédure pour redémarrer l'onduleur et transférez de nouveau la charge critique vers le courant protégé.

Remarque : Si vous devez enlever ou remplacer des blocs-batteries internes, modifier les étapes 6 et 7 en enlevant et/ou remplaçant les blocs-batteries internes en place, suivant les besoins.



7 – Câblage



DANGER! HAUTE TENSION POTENTIELLEMENT MORTELLE!

Tout câblage doit être exécuté par un électricien qualifié, conformément aux avertissements spécifiés dans ce manuel et à tous les codes de l'électricité et de sécurité applicables. Un câblage incorrect peut sérieusement endommager l'onduleur, causer des blessures graves et des dommages matériels. Lire la [Section 2 – Instructions importantes concernant la sécurité](#) avant l'installation.

7-1 Avertissements concernant le câblage

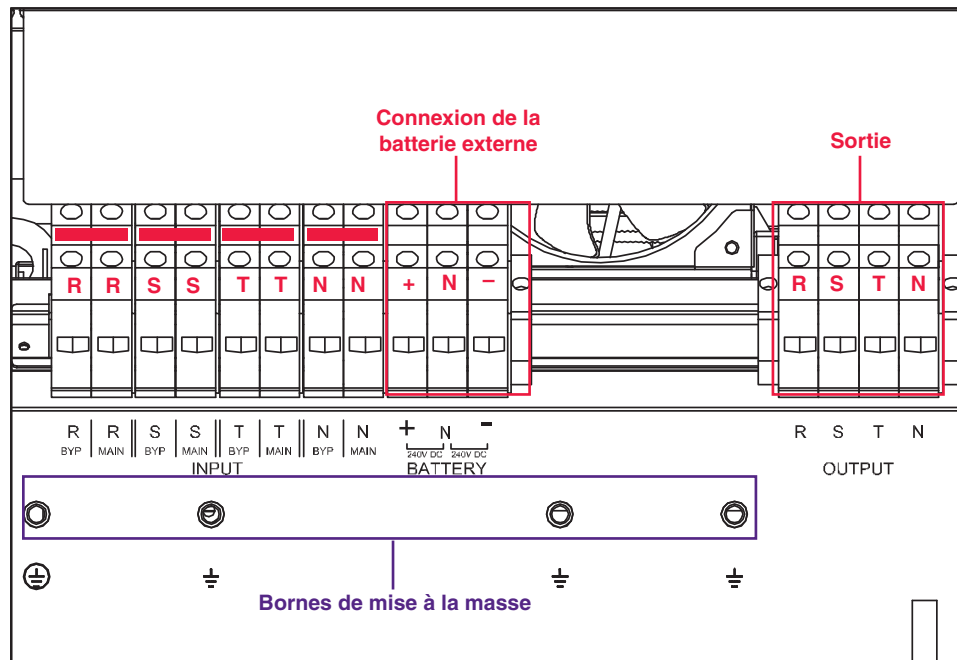
- Mettre toutes les entrées et sorties de courant de l'onduleur hors tension avant d'installer des câbles ou d'établir des connexions électriques.
- Utiliser un câble flexible d'une longueur suffisante pour permettre de faire l'entretien de l'onduleur. La longueur maximum du câble est de 10 m.
- Utiliser des capsules de contact pour couvrir les extrémités des câbles et éviter que les bouts effilochés ne provoquent un court-circuit au bornier de l'onduleur.
- Utiliser un câblage de calibre VW-1, FT-1 ou mieux.
- Utiliser des gaines et des serre-câbles.
- Le conducteur neutre doit être de la même taille que les conducteurs de courant.
- Serrer toutes les connexions avec une force de serrage d'au moins 3,95 N·m. (35 po·lb)
- Vérifier que tous les câbles sont correctement marqués, selon leur usage, polarité, phase et diamètre.
- Si la source d'alimentation électrique entrée/sortie de l'onduleur est montée en double étoile, le fil neutre et le fil de mise à la terre ne doivent pas être connectés.
- Si la source d'alimentation électrique à l'entrée a $V_{NG} > 0$, installer un transformateur d'isolation en amont de l'onduleur et de l'entrée de la source d'alimentation électrique, puis connecter ensemble le fil neutre et le fil de mise à la terre.
- Dans le cas d'un appareil nécessitant une connexion neutre à un système de distribution de courant IT, le dispositif de débranchement doit être un dispositif tétrapolaire et doit débrancher tous les conducteurs d'alimentation ainsi que le conducteur neutre. Si un dispositif de débranchement déconnecte le conducteur neutre, il doit simultanément déconnecter tous les autres conducteurs d'alimentation.
- Permettre aux batteries de se recharger sans interruption pendant 24 heures après avoir terminé le premier câblage.
- Respecter la polarité spécifique en reliant les négatifs aux négatifs et les positifs aux positifs. Ne pas respecter la bonne polarité endommagera l'onduleur. et provoquera un risque sérieux de blessure et de dommages matériels.
- Respecter la phase spécifique en reliant R à R, S à S, T à T et N à N. Ne pas respecter la polarité endommagera l'onduleur et créera un risque sérieux de blessure et de dommages matériels.
- L'onduleur de modèle KX couvert par le présent manuel peut avoir une alimentation simple ou double. Une source de dérivation indépendante (réserve) peut être fournie aux bornes d'entrée de l'onduleur au besoin. Les onduleurs sont expédiés de l'usine avec les bretelles de borne requises (quatre au total) installées pour faciliter les connexions d'alimentation simple. Si une entrée d'alimentation double est souhaitée, enlever les bretelles des bornes avant de câbler la source du climatiseur principal et la source de dérivation.

7-2 Préparation du câblage

- Mettre toutes les entrées et sorties de l'onduleur (CA et CC) ainsi que le boîtier de la batterie externe (si présent) hors tension .
- Marquer tous câbles en fonction de leur usage, polarité, phase et diamètre exacts.
- Revoir les schémas de la [Section 7-3](#) et de la [Section 7-4](#) pour vous familiariser avec les borniers.
- Consulter le tableau à la [Section 7-5](#) pour trouver les caractéristiques électriques d'entrée/sortie exactes de l'onduleur.

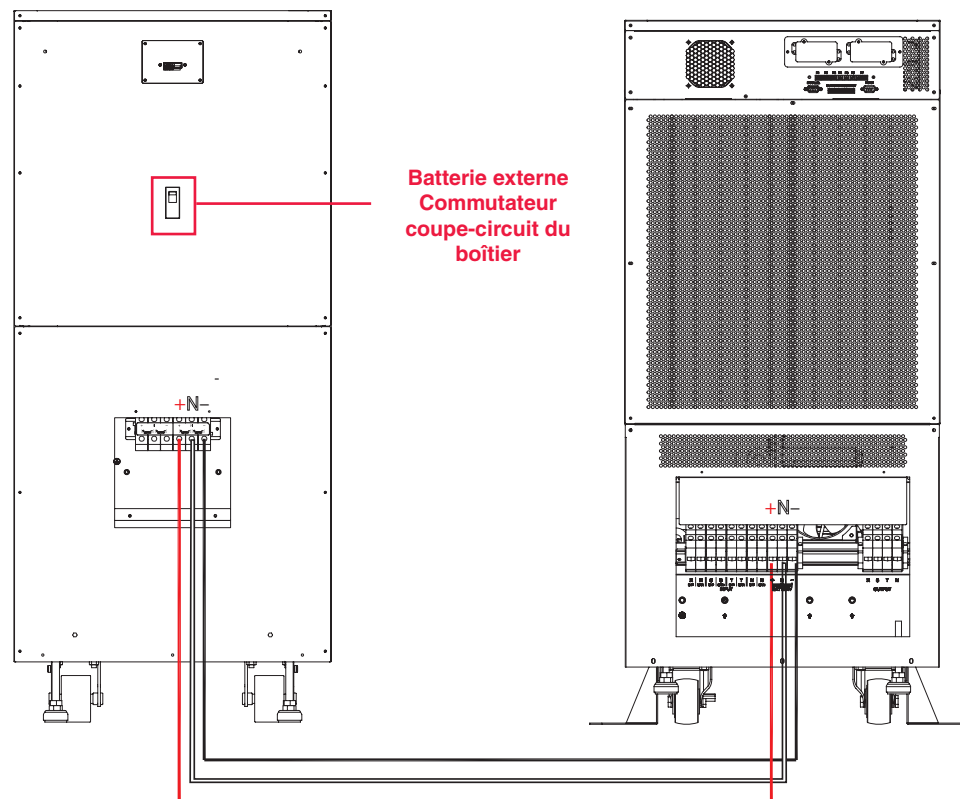
Remarque : si la source d'alimentation électrique entrée/sortie de l'onduleur est montée en double étoile, le fil neutre et le fil de mise à la terre ne doivent pas être connectés. Si la source d'alimentation électrique à l'entrée présente une tension neutre-terre $V_{NG} > 0$, installer un transformateur d'isolation en amont de l'onduleur et de l'entrée de la source d'alimentation électrique, puis connecter ensemble le fil neutre et le fil de mise à la terre.

7-3 Schéma du bornier de l'onduleur



Configuration typique d'une alimentation simple illustrée (avec bretelles de bornes installées en usine [x4])

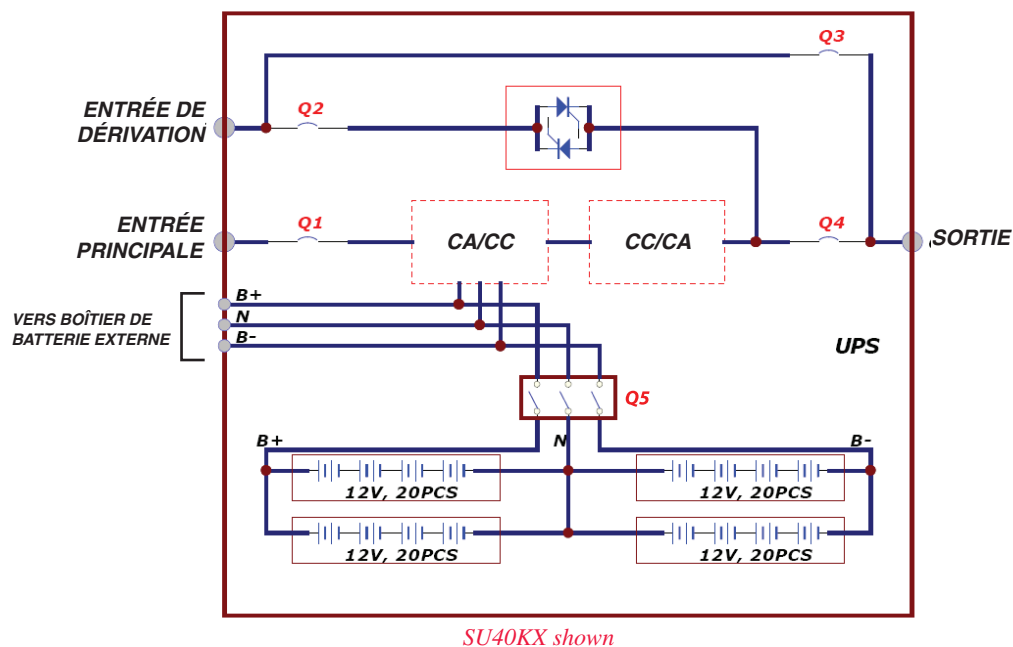
7-4 Schémas de câblage du boîtier externe de la batterie



SU80KX et BP480V40C montrés à titre d'illustration seulement. Consulter la documentation de l'armoire de batteries pour les spécifications exactes; le câblage de la batterie doit être protégé par le conduit.

7 – Câblage (suite)

7-4 Schémas de câblage du boîtier externe de la batterie (suite)



Boîtiers de batteries externes

Boîtier B : Fusibles 26AH, 125A

Boîtier C : Fusibles 40AH, 160A

Boîtier de 10 ans : 55AH, 78AH, 103AH, 140AH ; Coupe-circuit de 250A

7-5 Données électriques et de câblage

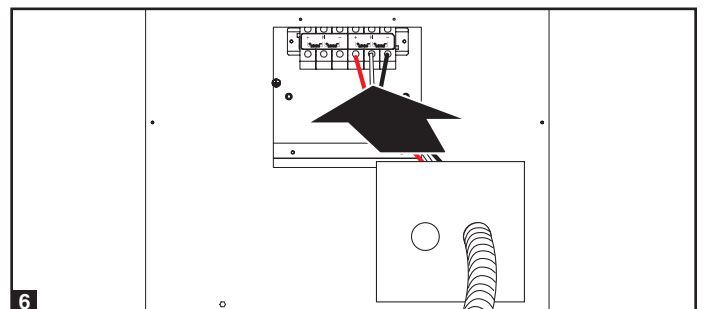
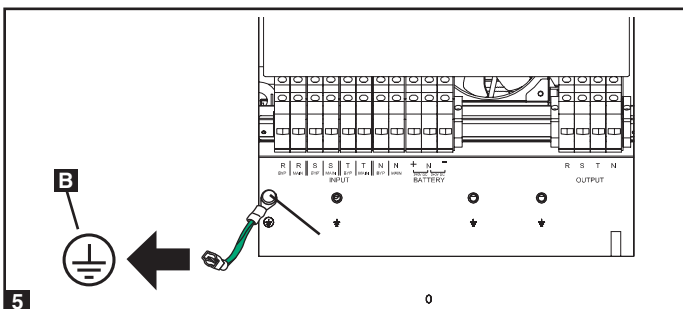
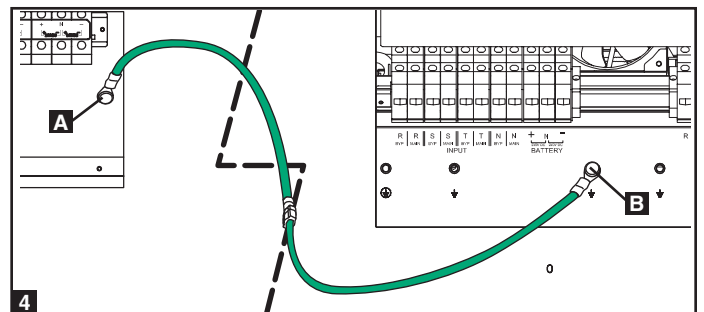
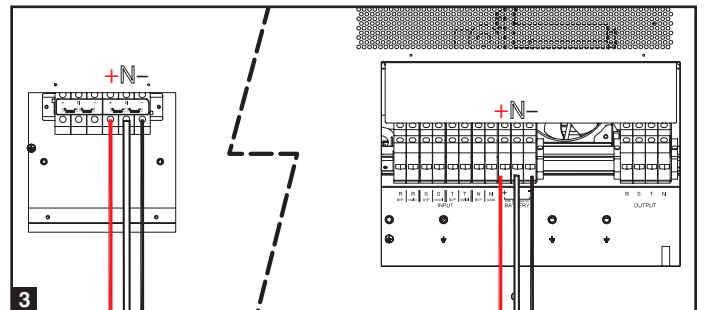
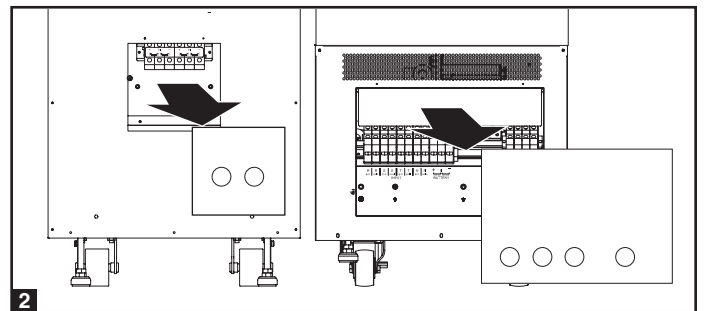
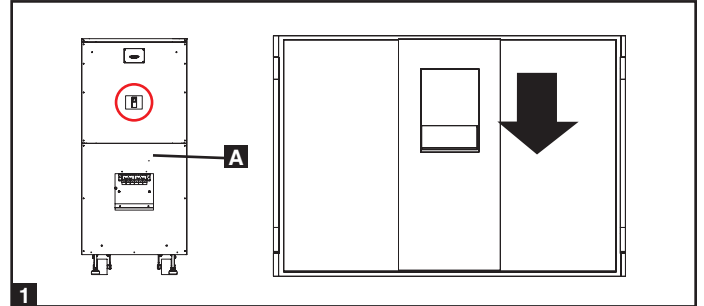
Modèle	Entrée	Sortie	Maximum recommandé Type de disjoncteur d'entrée, de dérivation (le cas échéant) et de sortie	Taille du câble à l'entrée, réserve, et sortie	Courant de la batterie au maximum Charge à VCC nominal	Courant de la batterie au maximum Charge à LVC	Taille recommandée pour le câble de la batterie
SU20KX	220/380 V, 230/400 V ou 240/415 V CA, 3Φ (triphasé), 4 fils + PE	220/380 V, 230/400 V ou 240/415 V CA, 3Φ (triphasé), 4 fils + PE	50A	10 mm ² (#8 AWG)	35A	42A	50 mm ² (1/0 AWG)
SU40KX	220/380 V, 230/400 V ou 240/415 V CA, 3Φ (triphasé), 4 fils + PE	220/380 V, 230/400 V ou 240/415 V CA, 3Φ (triphasé), 4 fils + PE	75A (80A)	25 mm ² (#4 AWG)	69A	83A	50 mm ² (1/0 AWG)
SU60KX	220/380 V, 230/400 V ou 240/415 V CA, 3Φ (triphasé), 4 fils + PE	220/380 V, 230/400 V ou 240/415 V CA, 3Φ (triphasé), 4 fils + PE	125A	50 mm ² (#1 AWG)	103A	124A	50 mm ² (1/0 AWG)
SU80KX	220/380 V, 230/400 V ou 240/415 V CA, 3Φ (triphasé), 4 fils + PE	220/380 V, 230/400 V ou 240/415 V CA, 3Φ (triphasé), 4 fils + PE	150A	50 mm ² (1/0 AWG)	138A	165A	50 mm ² (1/0 AWG)

7-6 Schémas de câblage du boîtier externe de la batterie

Avertissement : Les boîtiers de batterie externe varient. Lire la documentation du boîtier de la batterie externe avant de tenter de le brancher à l'onduleur. N'utiliser que les boîtiers de batterie externe approuvés par Tripp Lite.

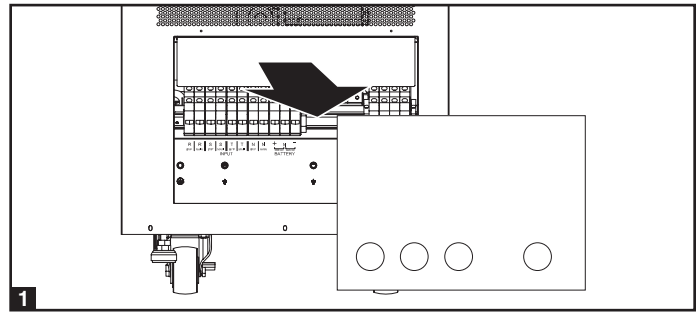
Remarque : Un boîtier de batterie externe est requis avec les modèles SU60KX et SU80KX. Il est facultatif avec les modèles SU20KX et SU40KX. Communiquer avec Tripp Lite pour obtenir des renseignements sur les commandes de boîtiers de batterie externe.

- 1** Mettre toutes les entrées et sorties (CA et CC) de l'onduleur et du boîtier de la batterie externe hors tension et vérifier que le commutateur du coupe-circuit du boîtier de la batterie externe **A** est en position OFF. (Si l'onduleur a déjà été câblé à une source d'alimentation électrique en CA, voir la Procédure d'arrêt à la [Section 9-6](#)).
- 2** Enlever les couvercles des borniers de l'onduleur et du boîtier de la batterie externe.
- 3** Brancher les bornes de connexion à l'onduleur positives (+), neutres (N) et négatives (-) du boîtier de la batterie externe aux bornes de connexion au boîtier de la batterie externe positives (+), neutres (N) et négatives (-) correspondantes de l'onduleur. Voir les schémas de borniers à la [Section 7-3](#) et dans la documentation du boîtier de la batterie externe. Voir la [Section 7-4](#) pour les schémas de câblage. Voir la [Section 7-5](#) pour le calibre des câbles. Les câbles doivent être protégés par des conduits flexibles et passés au travers des alvéoles défonçables appropriées dans le couvercle du bornier. **Avertissement :** Respecter la polarité spécifique en reliant les négatifs aux négatifs et les positifs aux positifs. Ne pas respecter la polarité endommagera l'onduleur et créera un risque sérieux de blessure et de dommages matériels.
- 4** Brancher la borne de connexion **A** du boîtier de la batterie externe à la borne de connexion **B** correspondantes de l'onduleur à l'aide d'un câble de masse de calibre 4 AWG (5,189 mm). Maintenir le fil de mise à la terre connecté en tout temps après l'installation.
- 5** Brancher la borne de mise à la terre **A** de l'onduleur à la prise de terre **B** correspondante de votre établissement à l'aide d'un câble de masse de calibre 4 AWG (5,189 mm). Maintenir le fil de mise à la terre connecté en tout temps après l'installation.
- 6** Replacer le couvercle du bornier du boîtier de la batterie externe. Si vous ne comptez pas procéder au câblage entrée/sortie CA de l'onduleur pour le moment, remplacer le couvercle du bornier de l'onduleur.

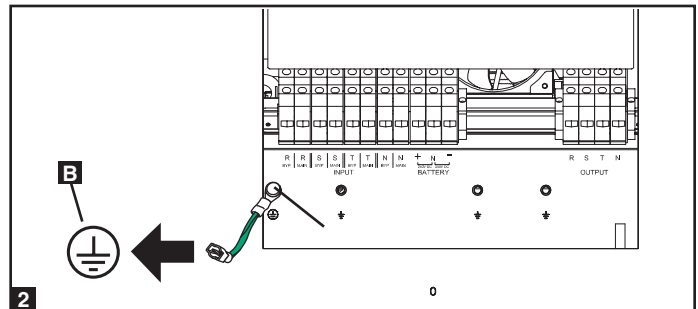


7-7 Câblage entrée/sortie CA (Onduleur unique)

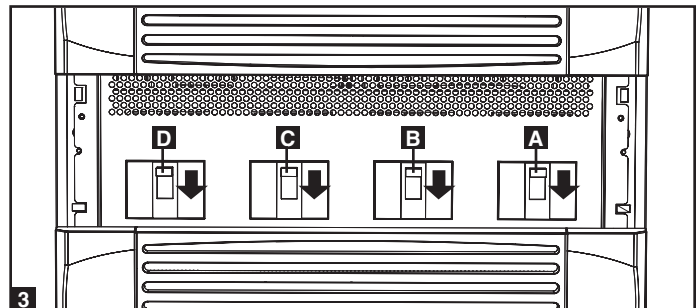
- Après avoir mis toutes les entrées/sorties (CA et CC) de l'onduleur, enlever le couvercle du bornier de onduleur.



- Si vous n'avez pas branché le fil de mise à la terre à la Section 7-6, brancher la borne de mise à la terre **A** de l'onduleur à la prise de terre **B** correspondante de votre établissement à l'aide d'un câble de masse de calibre 4 AWG (5,189 mm). Maintenir le fil de mise à la terre connecté en tout temps après l'installation.

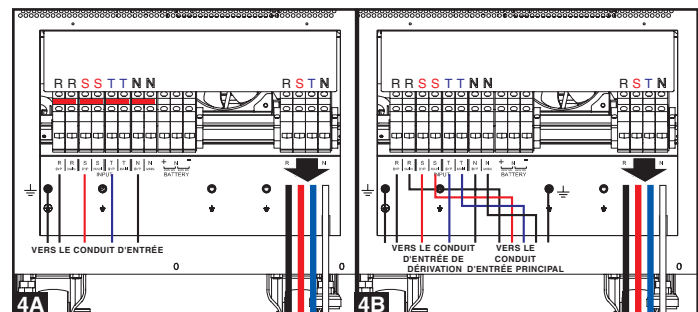


- Enlever la plaque frontale de l'onduleur afin d'exposer les disjoncteurs. Tout d'abord, vérifier que le commutateur du disjoncteur d'entrée principale **A** et que le commutateur du disjoncteur de l'entrée de dérivation **B** sont tous deux en position fermée. Ensuite, vérifier que le commutateur du disjoncteur de dérivation manuelle **C** est en position fermée. Troisièmement, vérifier que le commutateur du disjoncteur de sortie **D** est en position fermée.



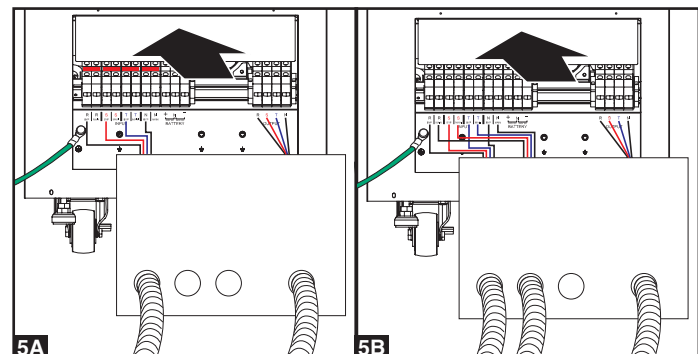
- Vérifier la phase de chaque câble, puis brancher les câbles d'après le schéma du bornier de l'onduleur à la Section 7-3. Voir la Section 7-5 pour le calibre des câbles. Les câbles doivent être protégés par des conduits flexibles et passés au travers des alvéoles défonçables appropriées dans le couvercle du bornier. **Avvertissement : respecter la phase spécifique en reliant R à R, S à S, T à T et N à N. Ne pas respecter la polarité endommagera l'onduleur et créera un risque sérieux de blessure et de dommages matériels.**

- 4A** Entrée à alimentation simple
- 4B** Entrée à alimentation double



- Replacer le couvercle du bornier de l'onduleur.

- 5A** Entrée à alimentation simple
- 5B** Entrée à alimentation double

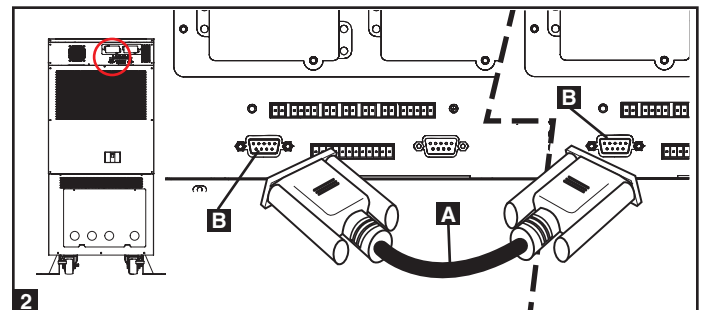
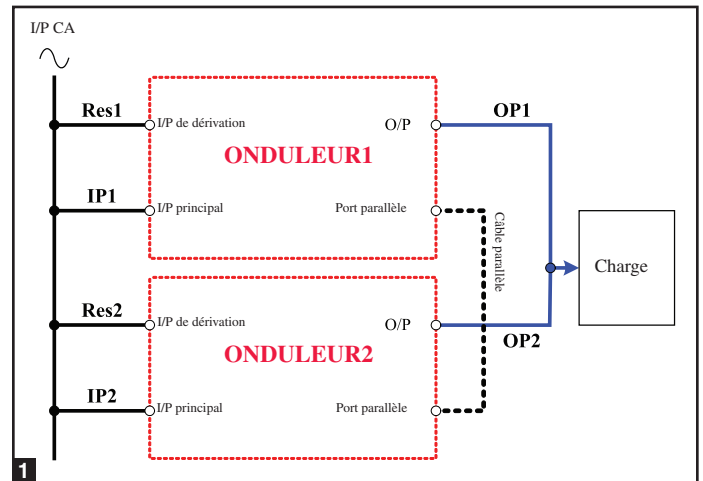


7-8 Câblage entrée/sortie CA (Onduleur parallèle – Source d'entrée unique)

Mises en garde sur l'onduleur parallèle :

- La longueur totale du câble d'entrée doit être égale à la longueur du câble de sortie pour éviter l'asymétrie des charges entre deux onduleur en mode de dérivation. (c'est-à-dire que l'écart entre $Res1 + OP1 = Res2 + OP2$; doit être $<10\%$).
- Une configuration parallèle ne supporte que 2 onduleurs (1+1 redondance ou capacité). N'essayez pas de relier plus de deux onduleurs par configuration parallèle.
- Les onduleurs doivent avoir le même voltage et la même capacité pour l'installation de l'onduleur en parallèle. Tenter de relier des onduleurs différents endommagerait ces derniers et créerait un risque sérieux de blessures personnelles et de dommages matériels.
- Le groupe parallèle de chaque onduleur doit être réglé sur 2 et avoir une « ID parallèle » différente indiquant que les onduleurs sont exécutés en parallèle. (Voir [Section 10-5-5](#) pour plus de détails.)

- 1 Suivre les étapes de la [Section 7-7](#), pour câbler l'onduleur tel que montré dans le schéma.
- 2 Connectez le câble inclus de l'onduleur parallèle **A** au port parallèle **B** de chaque onduleur.

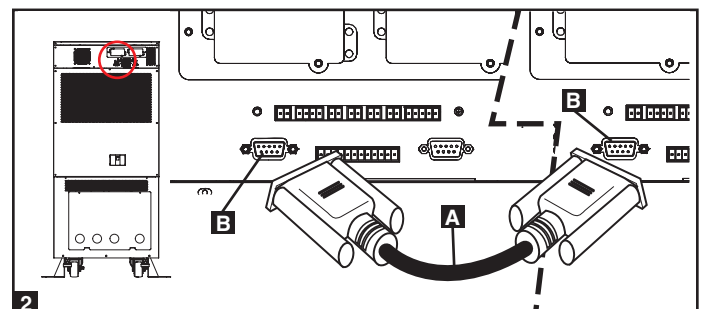
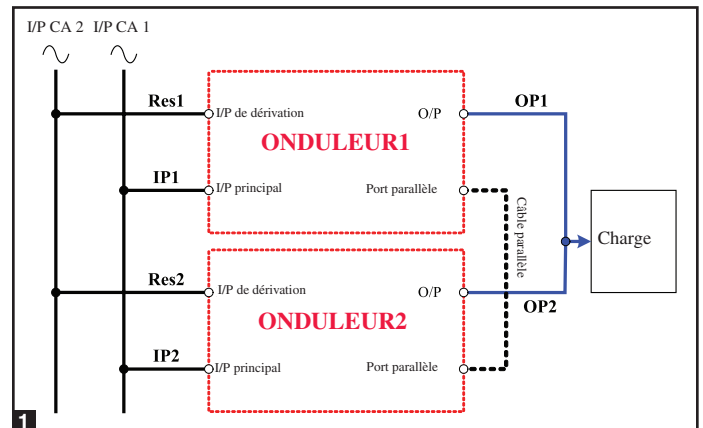


7-9 Câblage entrée/sortie CA (Onduleur parallèle – Sources d'entrée doubles)

Mises en garde sur l'onduleur parallèle :

- La longueur totale du câble d'entrée doit être égale à la longueur du câble de sortie pour éviter l'asymétrie des charges entre deux onduleurs en mode de dérivation (c'est-à-dire que l'écart entre $Res1 + OP1 = Res2 + OP2$; doit être $<10\%$).
- Une configuration parallèle ne supporte que 2 onduleurs (1+1 redondance ou capacité). N'essayez pas de relier plus de deux onduleurs par configuration parallèle.
- Les onduleurs doivent avoir le même voltage et la même capacité pour l'installation de l'onduleur en parallèle. Tenter de relier des onduleurs différents endommagerait ces derniers et créerait un risque sérieux de blessures personnelles et de dommages matériels.
- Le groupe parallèle de chaque onduleur doit être réglé sur 2 et avoir une « ID parallèle » différente indiquant que les onduleurs sont exécutés en parallèle. (Voir [Section 10-5-5](#) pour plus de détails.)

- 1 Suivre les étapes de la [Section 7-7](#) pour câbler l'onduleur tel que montré dans le schéma.
- 2 Connectez le câble inclus de l'onduleur parallèle **A** au port parallèle **B** de chaque onduleur.

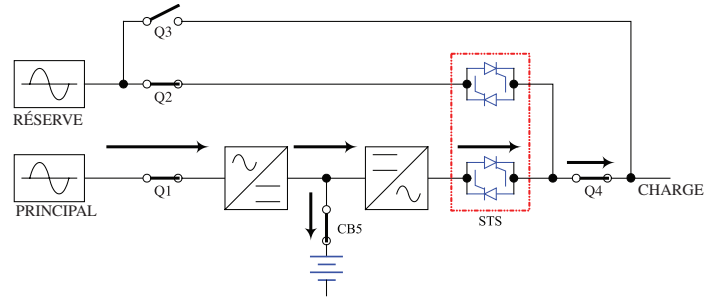


8 – Modes de fonctionnement

Cette section présente une description de base des modes de fonctionnement de l'onduleur. Pour plus d'information concernant la commutation entre les modes de fonctionnement, se reporter à la [Section 9 – Démarrage, arrêt et dérivation](#).

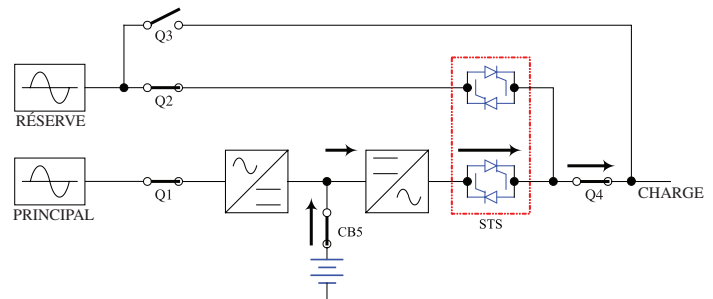
8-1 Mode en ligne (Normal) (Onduleur unique)

En mode en ligne (normal), le redresseur de l'onduleur convertit l'alimentation électrique en CA (du service public) en CC qui charge les batteries et alimente l'inverseur. L'inverseur transforme le CC en une onde sinusoïdale pure de CA, réglée avec précision, qui supporte le fonctionnement des appareils qui y sont branchés. Cette technologie de double conversion technologie isole les appareils qui y sont branchés de tout problème de courant et garantit que ces appareils soient alimentés par le courant idéal en tout temps.



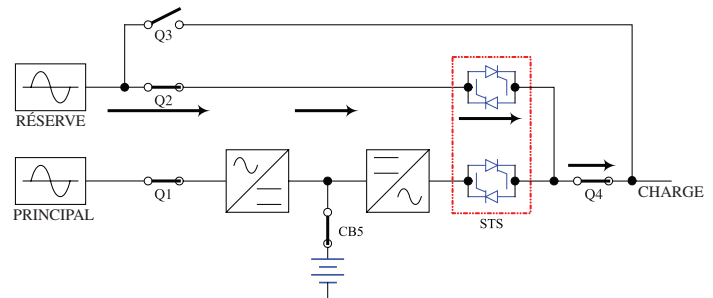
8-2 Mode batterie de secours (Onduleur unique)

Quand une panne totale ou tout autre événement extrême survient, l'onduleur passe automatiquement du mode normal au mode batterie de secours. Les batteries de l'onduleur (internes et/ou externes) fournissent un courant CC d'urgence à l'inverseur. L'inverseur transforme le CC en une onde sinusoïdale pure de CA, réglée avec précision, qui supporte le fonctionnement des appareils qui y sont branchés.



8-3 Mode dérivation automatique (Onduleur unique)

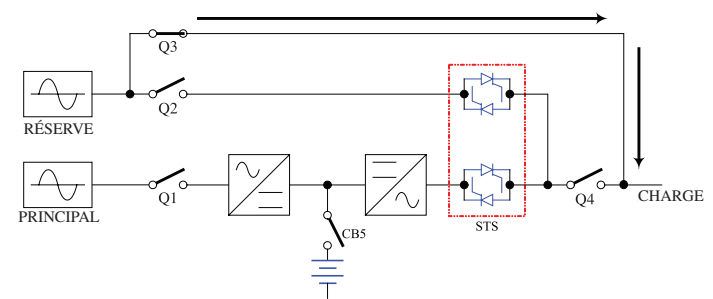
Si l'inverseur est défectueux en raison d'une température excessive, d'une surcharge, d'un court-circuit à la sortie, d'une tension anormale ou de problèmes de batterie, il s'éteindra. Si l'onduleur détecte une source de courant de dérivation (réserve) conforme aux paramètres normaux, il passera automatiquement en mode de dérivation afin d'alimenter les appareils qui y sont branchés de façon continue. Lorsque tous les problèmes sont éliminés, l'onduleur repassera automatiquement en mode en ligne (normal).



8-4 Mode dérivation manuel (Onduleur unique)

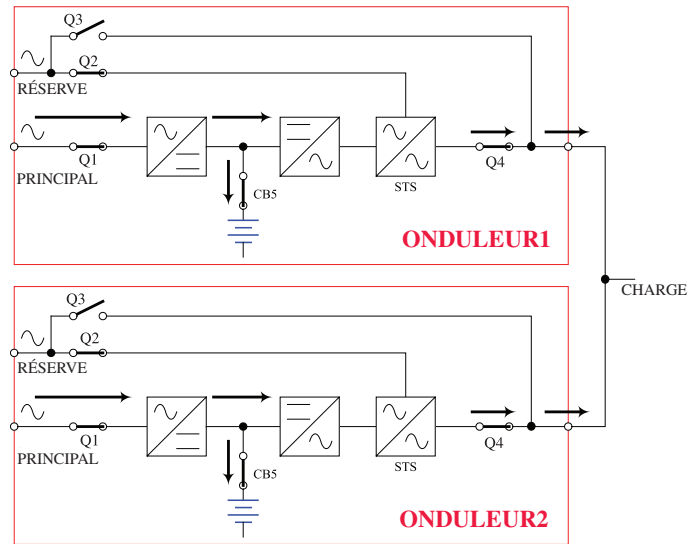
Si l'onduleur nécessite des travaux d'entretien ou des réparations, vous pouvez manuellement contourner l'onduleur et permettre l'alimentation par dérivation (réserve). Après avoir confirmé que l'alimentation de dérivation est présente, arrêter l'inverseur en appuyant sur le bouton OFF (arrêt) et en répondant « YES » (oui) à la question « Transfer to Bypass Mode? » (Passer en mode de dérivation ?) (ceci permet de faire passer l'onduleur en dérivation statique), puis faire passer l'onduleur en mode de dérivation manuelle. (Voir la [Section 9-5](#) pour la procédure complète de dérivation manuelle.) Cela permet aux techniciens de service de procéder à l'entretien ou à la réparation sans interrompre le flux de CA aux appareils qui y sont branchés.

Avertissement : L'onduleur doit être mis complètement hors tension avant d'effectuer un entretien soit une réparation en l'éteignant complètement après être passé en mode de dérivation manuelle.



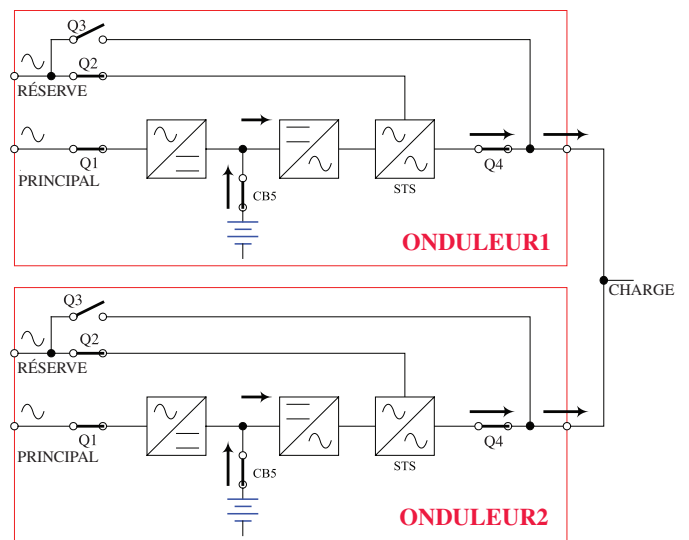
8-5 Mode en ligne (Onduleur parallèle)

La redondance parallèle (1+1) fournit une redondance à l'onduleur, donc une capacité totale accrue. Sous redondance parallèle, toute la charge est partagée par deux onduleurs. Si un des onduleurs est défectueux, la charge entière de tous les appareils qui y sont branchés est soutenue par l'autre onduleur. Si la charge totale dépasse la capacité de l'onduleur restant, il passera en mode de dérivation automatique.



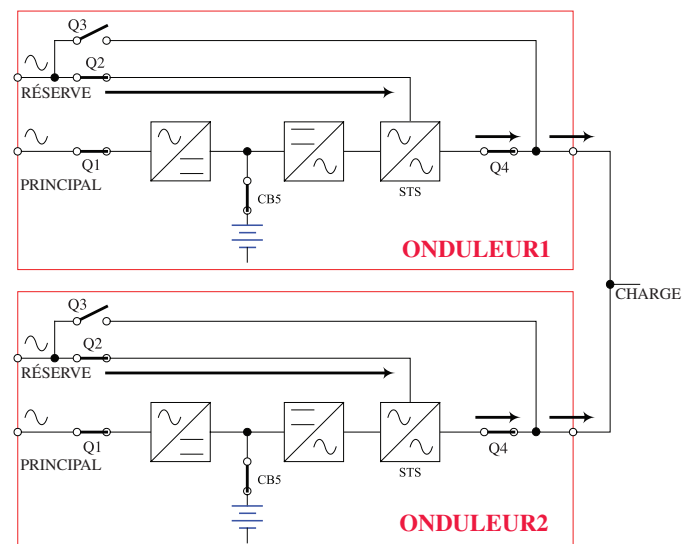
8-6 Mode batterie de secours (Onduleur parallèle)

Ce mode est semblable au mode batterie de secours pour un onduleur unique (Section 8-2), sauf que la charge totale des appareils branchés est partagée par l'onduleur parallèle (1+1).



8-7 Mode de dérivation automatique (Onduleur parallèle)

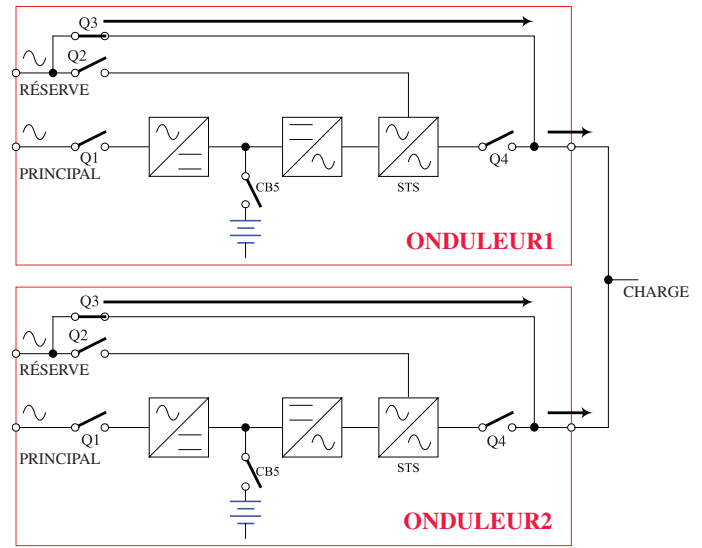
Semblable au mode de dérivation automatique pour un onduleur unique (Section 8-3), sauf avec un onduleur parallèle (1+1).



8 – Modes de fonctionnement (suite)

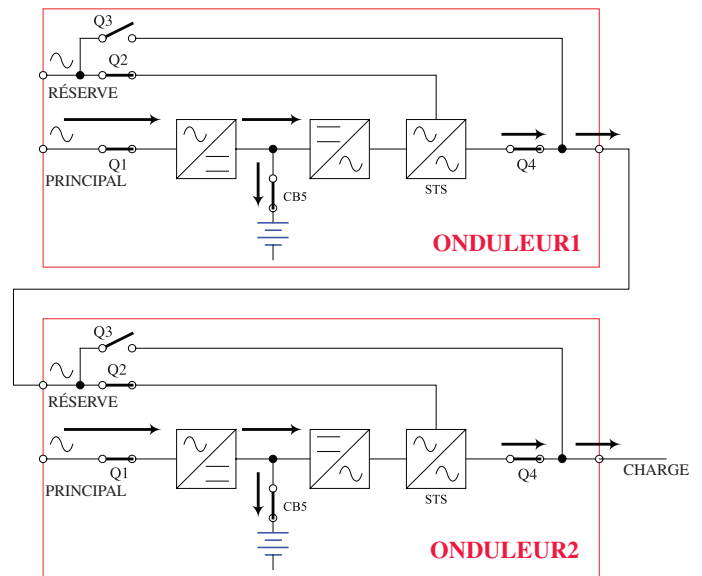
8-8 Mode de dérivation manuelle (Onduleur parallèle)

Semblable au mode de dérivation manuel pour un onduleur unique (Section 8-4), sauf avec un onduleur parallèle (1+1). Remarque : Les deux onduleurs doivent être mis en mode de dérivation manuelle.



8-9 Mode de secours immédiat (Onduleur parallèle)

Pour une tolérance aux fautes accrue, l'onduleur redondant remplit les fonctions de source d'alimentation électrique de dérivation (réserve) pour l'onduleur principal.

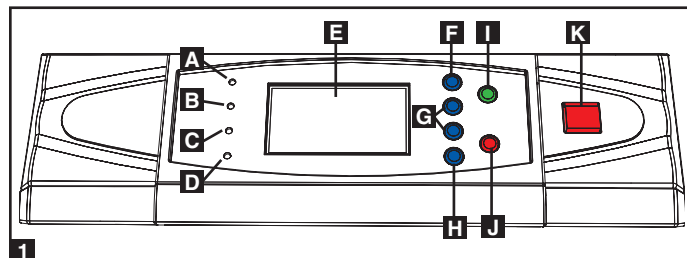


9 – Démarrage, arrêt et dérivation

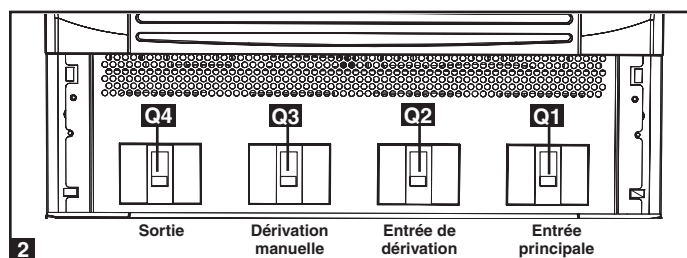
Avertissement : La tension de sortie de l'onduleur est configurée par défaut à 220/380 V. Si une tension de sortie de 230/400 V ou 240/415 V est requise, la tension de sortie de l'onduleur doit être changée en accédant au menu de configuration de sortie décrit dans la [Section 10-5-2](#). L'onduleur doit être mis en mode de dérivation avant de changer la tension de sortie. Ne pas connecter l'équipement à la sortie de l'onduleur avant d'avoir configuré les bons paramètres.

9-1 Schémas du panneau de commande et des disjoncteurs

- A** DEL « NORMAL »
- B** DEL « BATTERY » (batterie)
- C** DEL « BYPASS » (dérivation)
- D** DEL « FAULT » (défaillance)
- E** Écran d'état ACL
- F** Bouton « ESC » (échappement)
- G** Boutons de défilement (▲ et ▼)
- H** bouton de saisie (←)
- I** Bouton ON (sous tension)
- J** Bouton OFF (hors tension)
- K** Bouton « EPO » (arrêt d'urgence)
- Q1** Interrupteur du disjoncteur d'entrée principale
- Q2** Interrupteur du disjoncteur d'entrée de dérivation
- Q3** Interrupteur du disjoncteur de dérivation manuelle
- Q4** Interrupteur du disjoncteur de sortie



Panneau de commande



Interrupteurs de disjoncteurs (panneau avant de l'onduleur)

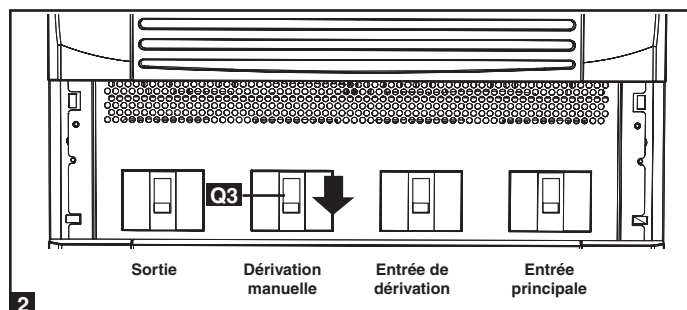
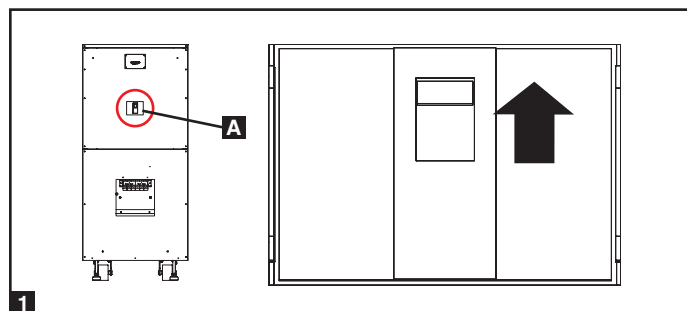
9-2 Liste de vérification préliminaire (onduleur simple)

- Tous les interrupteurs de disjoncteurs doivent être hors tension, y compris le disjoncteur de l'armoire de batteries externes (le cas échéant).
- Confirmer qu'il n'existe aucune tension potentielle entre le neutre et la mise à la terre.
- Confirmer que la source d'alimentation d'entrée correspond aux valeurs nominales (tension, fréquence et phase) de l'onduleur.

Remarque : Après le démarrage, l'onduleur va effectuer un bref auto-test et va afficher les résultats sur l'écran ACL. Une fois l'auto-test réussi, l'onduleur va fournir une alimentation CA à la charge de l'équipement connecté.

9-3 Procédure de démarrage standard (onduleur simple)

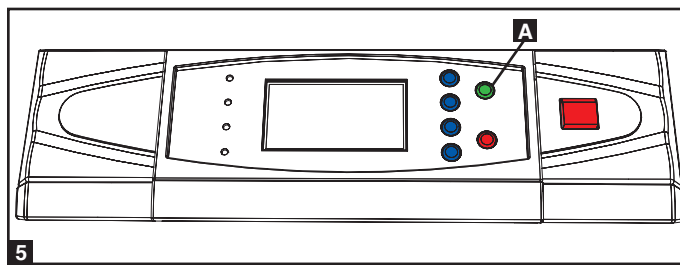
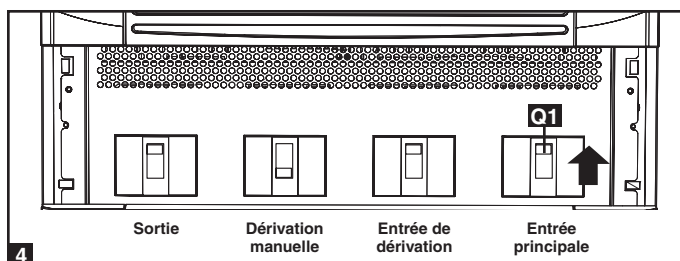
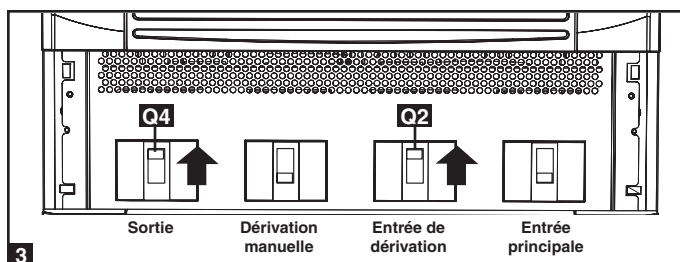
- 1** Si une armoire de batteries externes est connectée, mettre sous tension l'interrupteur du disjoncteur **A** de l'armoire de batteries externes. Pour le SU20KX ou le SU40KX, mettre sous tension le disjoncteur de la batterie à l'arrière de l'onduleur.
- 2** Confirmer que le commutateur du disjoncteur de dérivation manuelle Q3 **Q3** est hors tension.



9 – Démarrage, arrêt et dérivation (suite)

9-3 Procédure de démarrage standard (onduleur simple) (suite)

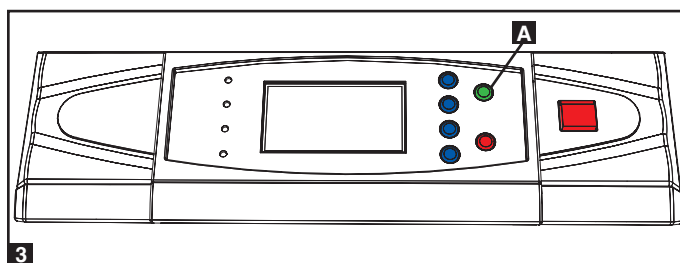
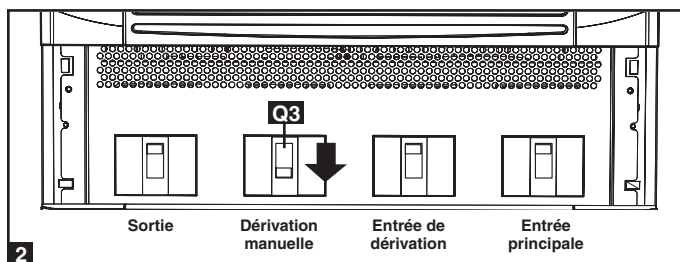
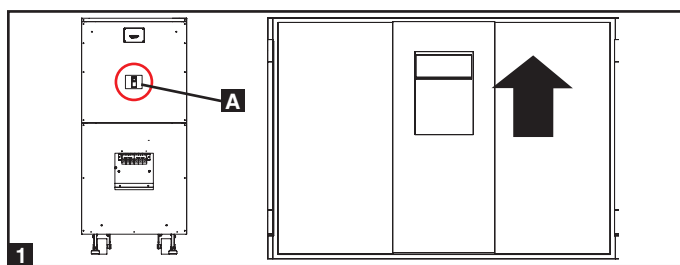
- 3 Mettre sous tension l'interrupteur du disjoncteur d'entrée de dérivation **Q2** puis l'interrupteur du disjoncteur de sortie **Q4**. Après un bref processus d'initialisation, l'écran ACL affichera « ON AUTO BYPASS » (en dérivation automatique), la DEL « BYPASS » (dérivation) va s'allumer et la sortie de l'onduleur sera alimentée par la source d'alimentation en dérivation (réserve).
- 4 Mettre sous tension l'interrupteur du disjoncteur d'entrée principale **Q1**. Si la source d'alimentation d'entrée CA est normale, l'onduleur est prêt pour le démarrage.
- 5 Appuyer sur le bouton ON (marche) **A** pendant 3 secondes (jusqu'à ce qu'un bip se fasse entendre), puis relâcher le bouton. L'inverseur va s'activer et se synchroniser avec la source de dérivation, puis va automatiquement passer du mode de dérivation automatique (réserve) au mode en ligne (normal). La DEL « BYPASS » (dérivation) va s'assombrir et la DEL « NORMAL » va s'allumer.



9-4 Procédure de démarrage sur batterie (onduleur simple)

Remarque : La batterie doit être au moins partiellement chargée pour permettre la réussite de cette opération.

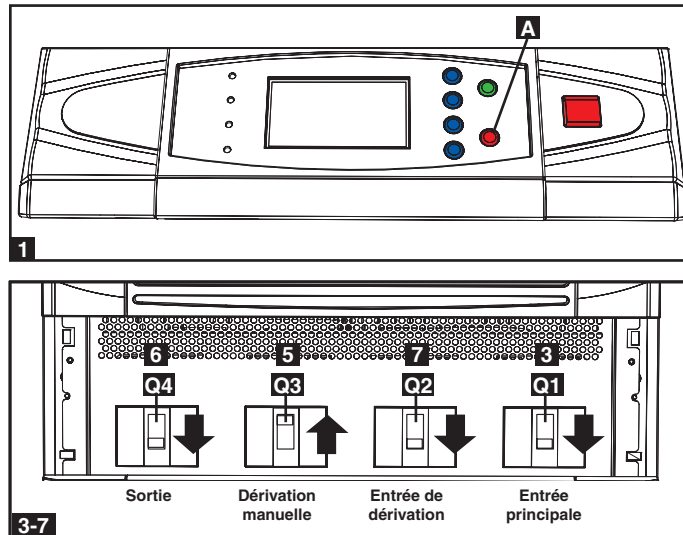
- 1 Si une armoire de batteries externes est connectée, mettre sous tension l'interrupteur du disjoncteur **A** de l'armoire de batteries externes. Pour le SU20KX ou le SU40KX, mettre sous tension le disjoncteur de la batterie à l'arrière de l'onduleur.
- 2 Confirmer que le commutateur du disjoncteur de dérivation manuelle **Q3** est hors tension.
- 3 Appuyer sur le bouton ON (marche) **A** pendant 3 secondes (jusqu'à ce qu'un bip se fasse entendre), puis relâcher le bouton. L'inverseur sera activé et utilisera l'alimentation par batterie CC stockée pour fournir de l'alimentation CA à l'équipement connecté. La DEL « BATTERY » (batterie) va s'allumer.



9-5 Procédure de dérivation manuelle (onduleur simple)

Avertissement : Le fait de mettre l'onduleur en dérivation manuelle aura pour effet de désactiver l'inverseur et d'alimenter toutes les charges du cheminement de la source de dérivation manuelle (réserve), mais l'onduleur sera toujours alimenté. Avant d'effectuer l'entretien ou des réparations sur l'onduleur, mettre hors tension et couper complètement l'alimentation de l'onduleur en suivant les étapes de la Section 9-6. Bien que les charges de l'équipement connecté seront alimentées par la source d'alimentation par dérivation (réserve), elles ne recevront pas d'alimentation de secours de la batterie advenant une panne de courant.

- 1 Si l'onduleur se trouve en mode NORMAL (DEL verte allumée, l'écran ACL affiche « Load Protected – On Line Mode » (charge protégée – mode en ligne)), arrêter alors l'inverseur en appuyant et en maintenant le bouton rouge OFF (« O ») (arrêt) **A** jusqu'à ce que l'onduleur émette un bip, puis relâcher le bouton et répondre « YES » (oui) à la question « Transfer to Bypass Mode? » (Passer en mode de dérivation?). L'onduleur devrait passer en mode de dérivation.
- 2 Confirmer que l'onduleur se trouve en mode BYPASS (dérivation) (la DEL de dérivation ambre est allumée; l'écran ACL affiche « Load Unprotected – On Auto Bypass » (charge non protégée – en dérivation automatique)). Ne pas poursuivre s'il ne se trouve pas en mode BYPASS (dérivation).
- 3 Mettre hors tension le disjoncteur MAIN INPUT (entrée principale). **Q1**.
- 4 Attendre l'arrêt des ventilateurs du module de puissance (cela peut exiger une ou deux minutes), puis mettre hors tension le BATTERY BREAKER (disjoncteur de la batterie). Sur l'appareil de 40K, le BATTERY BREAKER (disjoncteur de la batterie) se trouve à l'arrière de l'onduleur, sur les appareils de 60K et 80K, le BATTERY BREAKER (disjoncteur de la batterie) se trouve derrière l'armoire de batteries correspondante. *Remarque : Le BATTERY BREAKER (disjoncteur de la batterie) de certaines armoires de batteries externes se trouve derrière la porte avant ou ailleurs.*
- 5 Mettre sous tension le disjoncteur MANUAL BYPASS (dérivation manuelle) **Q3**. L'écran ACL affichera « Load Unprotected – On Manual Bypass » (charge non protégée – en dérivation manuelle) et une alarme audible se fera entendre.
- 6 Mettre hors tension le disjoncteur OUTPUT (sortie) **Q4**.
- 7 Mettre hors tension le disjoncteur BYPASS INPUT (entrée de dérivation) **Q2**. L'écran ACL de l'appareil n'affichera aucune donnée après quelques secondes.
- 8 La charge critique est maintenant supportée par l'alimentation du secteur sans condition.

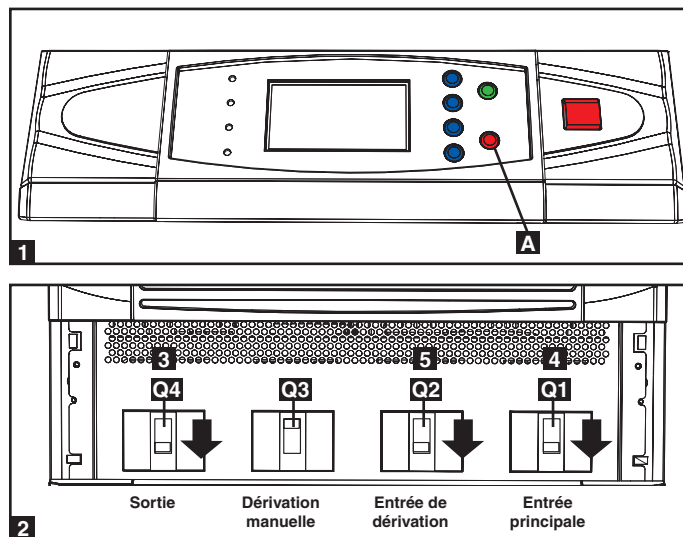


9-6 Procédure d'arrêt (onduleur simple)

Avertissement : La procédure de mise hors tension de l'onduleur va éliminer la sortie de l'alimentation CA de toutes les charges. Avant la mise hors tension, confirmer que toutes les charges sont hors tension ou mettre l'onduleur en mode de dérivation manuelle pour garder les charges alimentées par la source d'alimentation de réserve (dérivation).

- 1 Si l'onduleur se trouve en mode NORMAL (DEL verte allumée, l'écran ACL affiche « Load Protected – On Line Mode » (charge protégée – mode en ligne)), arrêter alors l'inverseur en appuyant et en maintenant le bouton rouge OFF (arrêt) **A** jusqu'à ce que l'onduleur émette un bip, puis relâcher le bouton. L'onduleur devrait passer en mode de dérivation.
- 2 Confirmer que l'onduleur se trouve en mode BYPASS (dérivation) (la DEL de dérivation ambre est allumée; l'écran ACL affiche « Load Unprotected – On Auto Bypass » (charge non protégée – en dérivation automatique)). Ne pas poursuivre s'il ne se trouve pas en mode BYPASS (dérivation).
- 3 Mettre hors tension le disjoncteur OUTPUT (sortie) **Q4**.
- 4 Mettre hors tension le disjoncteur MAIN INPUT (entrée principale) **Q1**.
- 5 Mettre hors tension le disjoncteur BYPASS UNIT (unité de dérivation) **Q2**.
- 6 Attendre l'arrêt des ventilateurs du module de puissance et que l'écran ACL n'affiche aucune donnée (cela peut exiger une ou deux minutes), puis mettre hors tension le BATTERY BREAKER (disjoncteur de la batterie). (Sur les unités SU20KX et SU40KX40K, le BATTERY BREAKER (disjoncteur de la batterie) se trouve à l'arrière de l'onduleur, sur les unités SU60KX et SU80KX, le BATTERY BREAKER (disjoncteur de la batterie) se trouve derrière l'armoire de batteries.)

Remarque : Si l'onduleur demeure hors tension pendant une période prolongée, il est recommandé de le mettre périodiquement sous tension pour permettre aux batteries de se recharger. L'onduleur devrait être mis sous tension et les batteries devraient être rechargées pendant au moins une période de 24 heures ininterrompue tous les 3 mois. Si les batteries ne sont pas rechargées périodiquement, cela risque de causer des dommages irréversibles aux batteries.

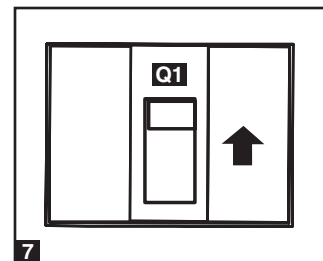
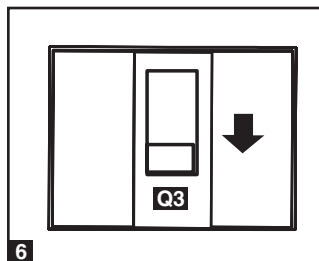
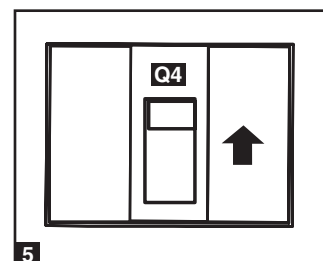
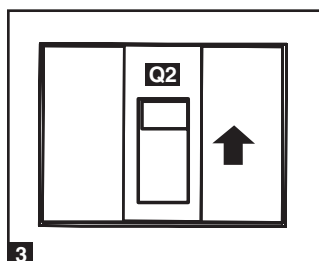
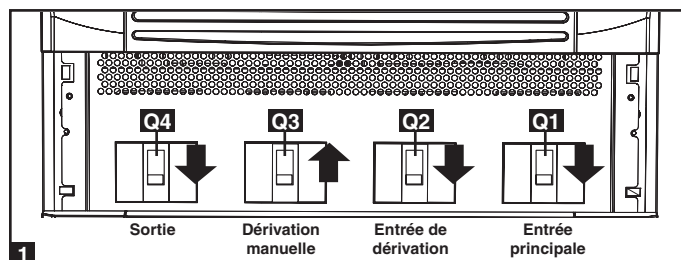


9 – Démarrage, arrêt et dérivation (suite)

9-6 Shutdown Procedure (Single UPS) (continued)

Pour transférer la charge critique en mode NORMAL à partir du mode de dérivation manuelle :

- 1 Confirmer que l'onduleur se trouve en mode MANUAL BYPASS (dérivation manuelle) (le disjoncteur MANUAL BYPASS (dérivation manuelle) **Q3** est sous tension; les disjoncteurs OUTPUT (sortie) **Q4**, BYPASS INPUT (entrée de dérivation) **Q2** et MAIN INPUT (entrée principale **Q1** se trouvent hors tension).
- 2 Mettre sous tension le BATTERY BREAKER (disjoncteur de la batterie). (Sur les unités SU20KX et SU40KX, le BATTERY BREAKER (disjoncteur de la batterie) se trouve à l'arrière de l'onduleur, sur les unités SU60KX et SU80KX, le BATTERY BREAKER (disjoncteur de la batterie) se trouve derrière l'armoire de batteries.)
- 3 Mettre sous tension le disjoncteur BYPASS INPUT (entrée de dérivation) **Q2** (la DEL de dérivation ambre devrait s'allumer et l'écran ACL affichera « Load Unprotected-On Manual Bypass » (charge non protégée – en dérivation manuelle).
- 4 Confirmer que la DEL ambre BYPASS (dérivation) est allumée. Ne pas poursuivre si elle n'est pas allumée.
- 5 Mettre sous tension le disjoncteur OUTPUT (sortie) **Q4**.
- 6 Mettre hors tension le disjoncteur MANUAL BYPASS (dérivation manuelle) **Q3**. L'écran ACL affichera « Load Unprotected-On Auto Bypass » (charge non protégée - en dérivation automatique).
- 7 Mettre sous tension le disjoncteur MAIN INPUT (entrée principale) **Q1**. Les ventilateurs du module de puissance seront mis sous tension.
- 8 Appuyer et maintenir le bouton vert ON (marche) jusqu'à ce que l'onduleur émette un bip, puis relâcher le bouton. L'onduleur va effectuer un auto-test de diagnostic et l'écran ACL affichera « Self Diagnosis » (auto-diagnostic). Une fois l'auto-diagnostic de l'onduleur complété, l'onduleur va passer en mode NORMAL (DEL verte allumée et l'écran ACL affiche « Load Protected-On Line Mode » (charge protégé - en mode en ligne)).
- 9 Confirmer qu'il n'y a aucune alarme active présente (« ! » sur l'écran et bip audible). Si une alarme est présente, appuyer sur les flèches UP (vers le haut) ou DOWN (vers le bas) pour afficher l'alarme active. Corriger l'action le cas échéant.
- 10 Parcourir le Measure Menu (menu des mesures) et confirmer que toutes les lectures de l'alimentation d'entrée et de sortie se situent à l'intérieur des spécifications recommandées.
- 11 Si un problème est détecté, contacter le personnel de soutien technique pour obtenir de l'aide.
- 12 La charge critique est maintenant supportée par l'alimentation par batterie de secours conditionnée.



9-7 Liste de vérifications préliminaire (onduleurs en parallèle)

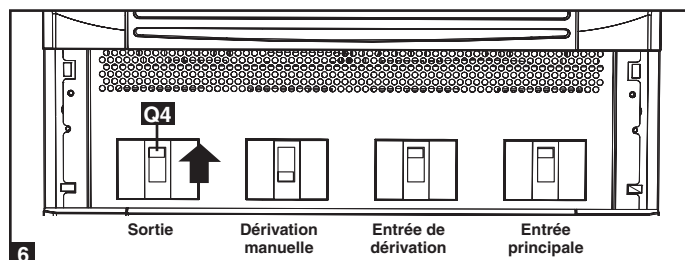
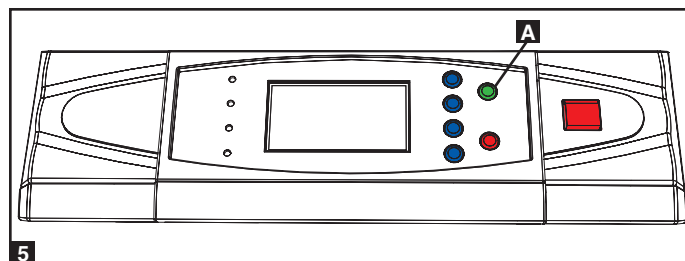
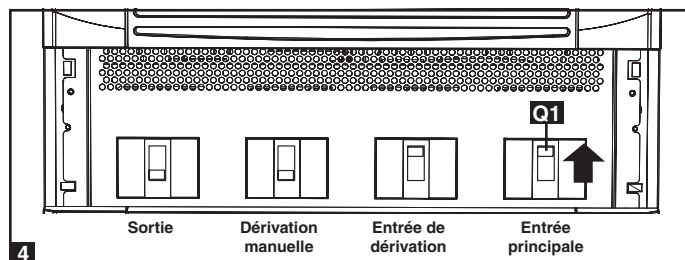
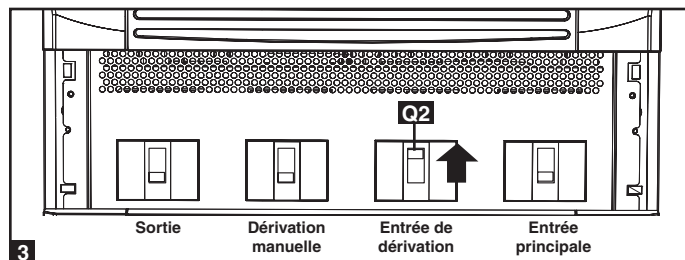
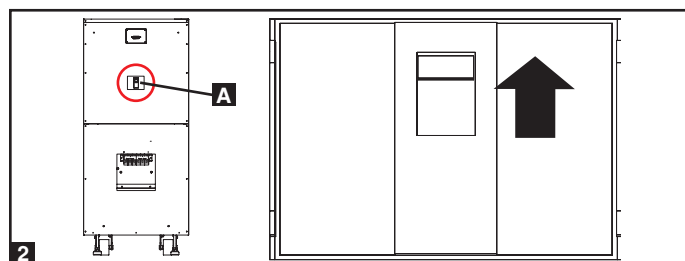
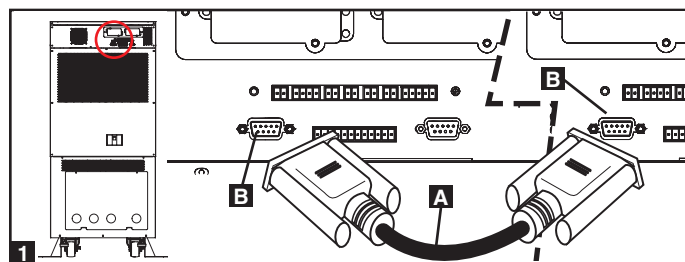
Avertissement : La configuration en parallèle exige exactement deux onduleurs (pour une redondance ou une capacité 1+1). Ne pas tenter de lier plus de deux onduleurs via une configuration en parallèle. Les onduleurs doivent avoir les mêmes valeurs nominales et la même capacité pour une installation en parallèle des onduleurs. Tenter de lier des onduleurs dissemblables aura pour effet d'endommager les onduleurs et de créer un risque sérieux de dommages à la propriété et de blessures.

- Tous les interrupteurs de disjoncteur doivent être hors tension, y compris les disjoncteurs de batterie des armoires de batteries externes.
- Confirmer qu'il n'existe aucune tension potentielle entre le neutre et la mise à la terre.
- Confirmer que la source d'alimentation d'entrée correspond aux valeurs nominales (tension, fréquence et phase) des onduleurs.
- Chaque onduleur doit avoir un « Parallel ID » différent qui indique que les onduleurs fonctionnent en parallèle. Voir la [Section 10-5-5](#) pour plus de détails.

Remarque : Après le démarrage, les onduleurs vont effectuer un bref auto-test et vont afficher les résultats sur l'écran ACL. Une fois l'auto-test réussi, les onduleurs vont fournir une alimentation CA à la charge de l'équipement connecté.

9-8 Procédure de démarrage (onduleurs en parallèle)

- 1 Connecter le câble de configuration en parallèle **A** vers le port de configuration en parallèle DB9 **B** de chaque onduleur. *Remarque : Avant de démarrer le système d'onduleurs en parallèle, s'assurer que le « Parallel ID » est différent pour chaque onduleur et que le groupe en parallèle est configuré. (Voir la [Section 10-5-5](#) pour plus de détails.*
- 2 Si des armoires de batteries externes sont connectées aux onduleurs, mettre sous tension l'interrupteur du disjoncteur de l'armoire de batteries externes **A** de chaque module de batteries. Pour le SU20KX ou le SU40KX, mettre sous tension le disjoncteur de la batterie à l'arrière de l'onduleur.
- 3 Mettre sous tension l'interrupteur du disjoncteur d'entrée de dérivation **Q2** de chaque onduleur. Après un bref processus d'initialisation, l'écran ACL affichera « ON AUTO BYPASS » (en dérivation automatique) et la DEL « BYPASS » (dérivation) va s'allumer.
- 4 Mettre sous tension l'interrupteur du disjoncteur d'entrée principale **Q1** de chaque onduleur.
- 5 Appuyer sur le bouton ON (marche) **A** d'un des onduleurs pendant 3 secondes (jusqu'à ce qu'un bip se fasse entendre), puis relâcher le bouton. L'inverseur va s'activer et se synchroniser avec la source de dérivation. Appuyer sur le bouton ON (marche) de l'autre onduleur pendant 3 secondes (jusqu'à ce qu'un bip se fasse entendre), puis relâcher le bouton. Lorsque l'inverseur de chaque onduleur fonctionne normalement, tous ces inverseurs vont automatiquement passer du mode de dérivation automatique (réserve) au mode en ligne (normal) en même temps. La DEL « BYPASS » (dérivation) va s'assombrir et la DEL « NORMAL » va s'allumer.
- 6 Vérifier la tension de sortie de chaque onduleur. La déviation de phase entre chaque onduleur devrait être inférieure à 5 V. Si la déviation de phase se situe à l'intérieur de la plage acceptable, mettre sous tension l'interrupteur du disjoncteur de sortie **Q4** de chaque onduleur. *Remarque : Pour de plus amples informations sur la façon de vérifier la tension de sortie de chaque onduleur, voir la [Section 10-4](#).*



9-9 Procédure d'arrêt (onduleurs en parallèle)

Avertissement : La procédure de mise hors tension de l'onduleur va éliminer la sortie de l'alimentation CA de toutes les charges. Avant la mise hors tension, confirmer que toutes les charges sont hors tension ou mettre les onduleurs en mode de dérivation manuelle pour garder les charges alimentées par la source d'alimentation de dérivation (réserve).

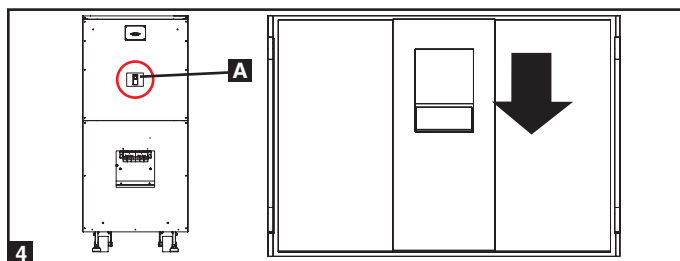
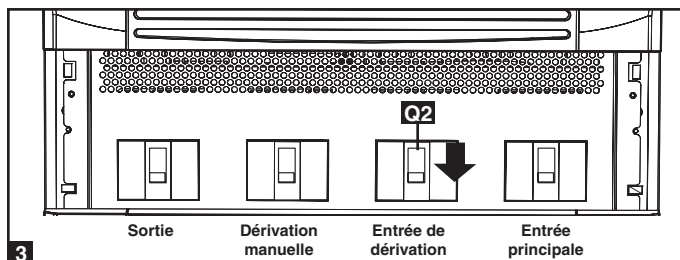
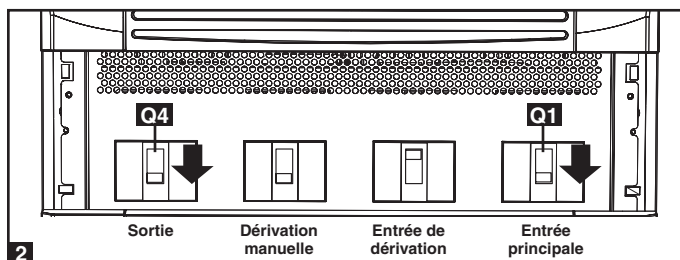
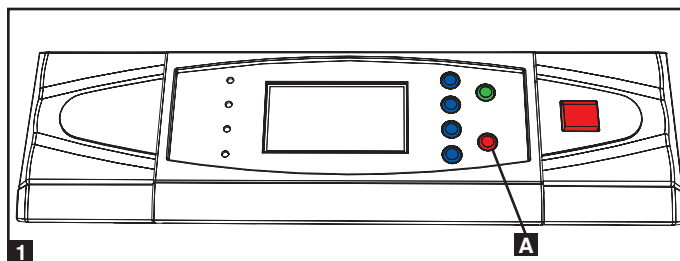
1 Pour l'onduleur que vous souhaitez mettre hors tension, appuyer sur le bouton OFF (arrêt) **A** pendant 3 secondes (jusqu'à ce qu'un bip se fasse entendre), puis relâcher le bouton. Si l'autre onduleur peut, à lui seul, supporter les charges de l'équipement connecté, l'onduleur qui a été mis hors tension va mettre hors tension son inverseur et son écran ACL affichera « LOAD NOT POWERED » (charge non alimentée). L'écran ACL de l'autre onduleur affichera « ONLINE MODE » (mode en ligne). Si la charge totale de l'équipement connecté est trop importante pour être prise en charge par un seul onduleur, les deux onduleurs mettront hors tension leur inverseur et passeront en mode de dérivation et leur écran ACL affichera « ON AUTO BYPASS » (en dérivation automatique).

2 Pour l'onduleur que vous souhaitez mettre hors tension, mettre hors tension l'interrupteur du disjoncteur d'entrée principale **Q1**, puis mettre hors tension l'interrupteur du disjoncteur de sortie. **Q4**.

3 Pour l'onduleur que vous souhaitez mettre hors tension, mettre hors tension l'interrupteur du disjoncteur d'entrée de dérivation **Q2**.

4 Une fois l'onduleur complètement hors tension, l'écran ACL sera complètement désactivé. Si des armoires de batteries externes sont connectées aux onduleurs, mettre hors tension l'interrupteur du disjoncteur de l'armoire de batteries externes **A** de chaque module de batteries. Pour le SU20KX ou le SU40KX, mettre hors tension le disjoncteur de la batterie à l'arrière de l'onduleur.

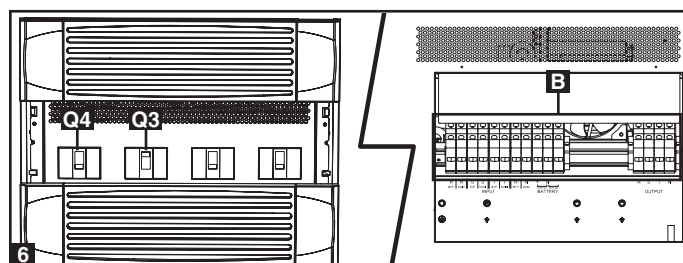
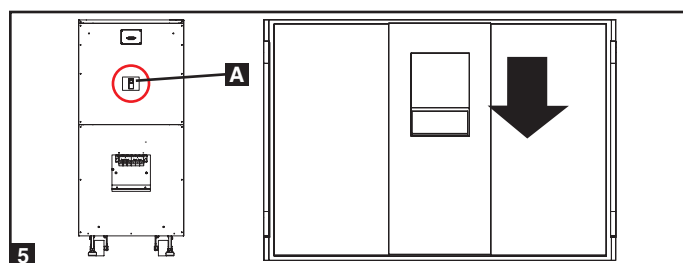
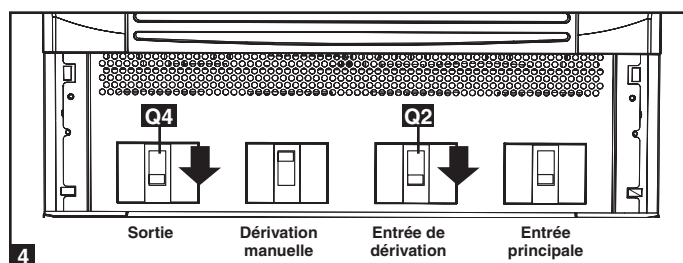
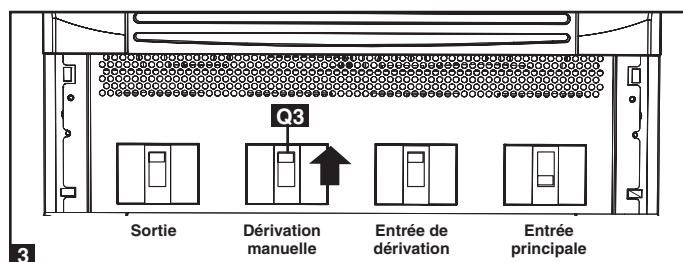
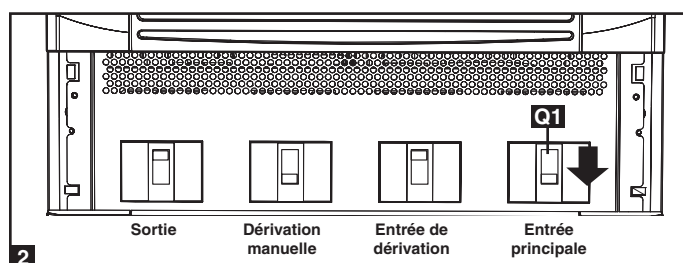
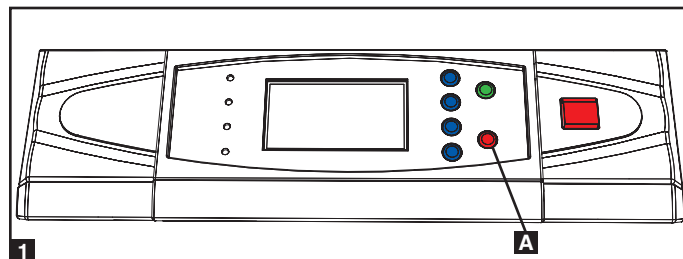
Remarque : Si l'onduleur demeure hors tension pendant une période prolongée, il est recommandé de le mettre périodiquement sous tension pour permettre aux batteries de se recharger. L'onduleur devrait être mis sous tension et les batteries devraient être rechargées pendant au moins une période de 24 heures ininterrompue tous les 3 mois. Si les batteries ne sont pas rechargées périodiquement, cela risque de causer des dommages irréversibles aux batteries.



9-10 Procédure de dérivation manuelle (onduleurs en parallèle)

Avertissement : Lorsque le système d'onduleurs se trouve en mode de dérivation manuelle, l'inverseur se met hors tension. Les charges de l'équipement connecté sont alimentées par la source d'alimentation par dérivation (réserve) et elles ne recevront pas d'alimentation de secours de la batterie advenant une panne de courant.

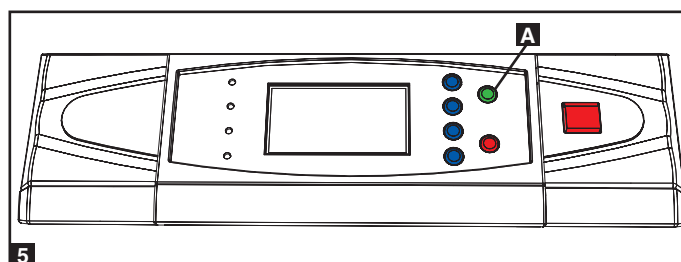
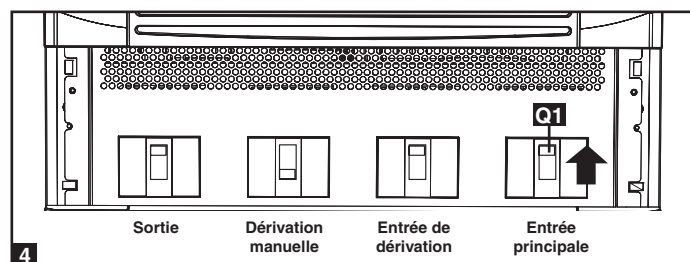
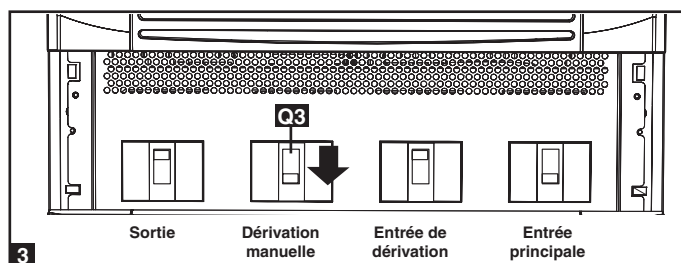
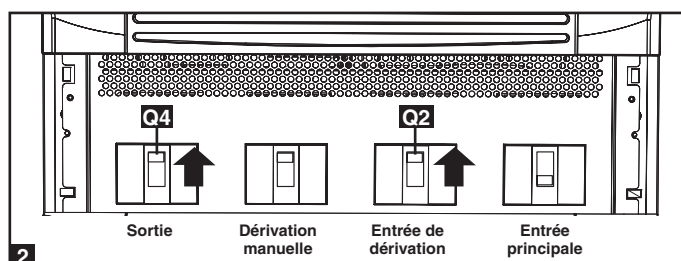
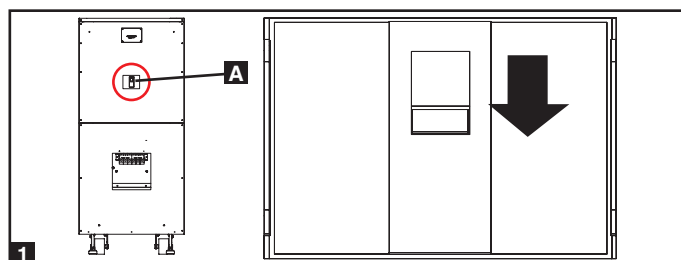
- 1 Pour le premier onduleur que vous souhaitez mettre hors tension, appuyer sur le bouton OFF (arrêt) **A** pendant 3 secondes (jusqu'à ce qu'un bip se fasse entendre), puis relâcher le bouton. Si l'autre onduleur peut, à lui seul, supporter les charges de l'équipement connecté, l'onduleur qui a été mis hors tension va mettre hors tension son inverseur et son écran ACL affichera « LOAD NOT POWERED » (charge non alimentée). L'écran ACL de l'autre onduleur affichera « ONLINE MODE » (mode en ligne). Si la charge totale de l'équipement connecté est trop importante pour être prise en charge par un seul onduleur, les deux onduleurs mettront hors tension leur inverseur et passeront en mode de dérivation et leur écran ACL affichera « ON AUTO BYPASS » (en dérivation automatique). Répéter l'étape 1 pour le second onduleur que vous souhaitez mettre hors tension.
- 2 Mettre hors tension l'interrupteur du disjoncteur d'entrée principale **Q1** de chaque onduleur.
- 3 Confirmer que les deux onduleurs sont hors tension, puis mettre sous tension l'interrupteur du disjoncteur d'entrée de dérivation manuelle **Q3** de chaque onduleur. La source d'alimentation par dérivation (réserve) va alimenter les charges et l'écran ACL affichera « ON MANUAL BYPASS » (en dérivation manuelle).
- 4 Mettre hors tension l'interrupteur du disjoncteur d'entrée de dérivation **Q2** et l'interrupteur du disjoncteur de sortie **Q4** de chaque onduleur. L'écran ACL va s'éteindre complètement.
- 5 Si des armoires de batteries externes sont connectées aux onduleurs, mettre hors tension l'interrupteur du disjoncteur de l'armoire de batteries externes **A** de chaque module de batteries. Pour le SU20KX ou le SU40KX, mettre hors tension le disjoncteur de la batterie à l'arrière de l'onduleur.
- 6 Dans ce mode, seulement le cheminement de dérivation manuelle (y compris le disjoncteur de dérivation manuelle **Q3**), les bornes de charge de l'interrupteur du disjoncteur de sortie **Q4** et le bloc de jonction **B** renferment une tension dangereuse, permettant au personnel d'entretien qualifié d'effectuer l'entretien ou des réparations. *Remarque :* Il peut arriver que le personnel d'entretien qualifié préfère désactiver complètement les onduleurs selon les codes locaux et la nature de l'entretien ou de la réparation.



9 – Démarrage, arrêt et dérivation (suite)

9-11 Passer au mode normal à partir du mode de dérivation manuelle (onduleur en parallèle)

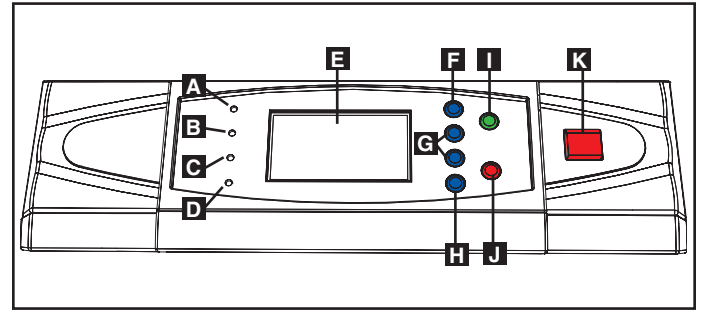
- 1** Si des armoires de batteries externes sont connectées aux onduleurs, mettre hors tension l'interrupteur du disjoncteur de l'armoire de batteries externes **A** de chaque module de batteries. Pour le SU20KX ou le SU40KX, mettre hors tension le disjoncteur de la batterie à l'arrière de l'onduleur.
- 2** Mettre sous tension l'interrupteur du disjoncteur d'entrée de dérivation manuelle **Q2** et l'interrupteur du disjoncteur de sortie **Q4** de chaque onduleur.
- 3** Confirmer que les deux onduleurs sont hors tension, puis mettre hors tension l'interrupteur du disjoncteur d'entrée de dérivation manuelle **Q3** de chaque onduleur. L'écran ACL affichera « ON AUTO BYPASS » (en dérivation automatique).
- 4** Mettre sous tension l'interrupteur du disjoncteur d'entrée principale **Q1** de chaque onduleur.
- 5** Appuyer sur le bouton ON (marche) **A** du premier onduleur pendant 3 secondes (jusqu'à ce qu'un bip se fasse entendre), puis relâcher le bouton. Appuyer sur le bouton ON (marche) du second onduleur pendant 3 secondes (jusqu'à ce qu'un bip se fasse entendre), puis relâcher le bouton. Lorsque l'inverseur de chaque onduleur fonctionne normalement, tous ces inverseurs vont passer en mode en ligne (normal) en même temps.



10 – Affichage et configuration

10-1 Schéma du panneau de commande

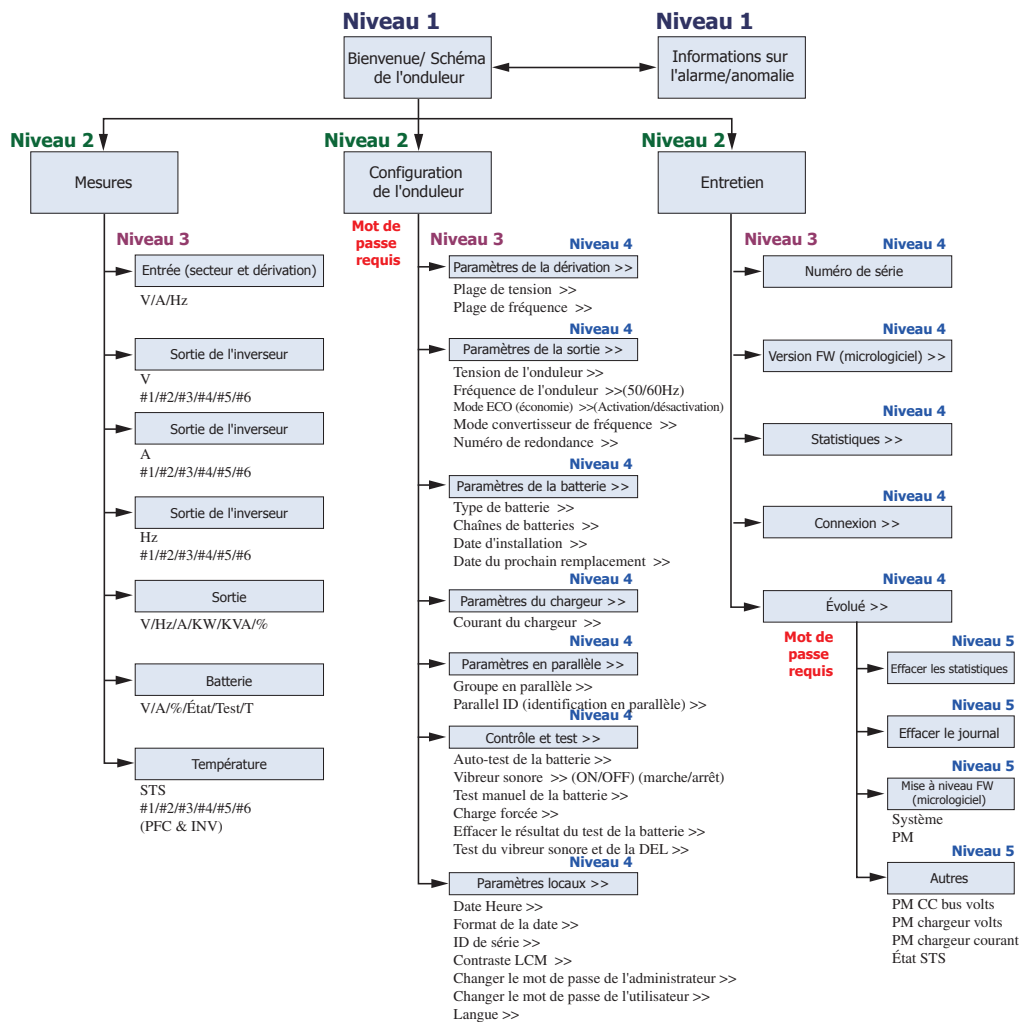
- A** DEL « NORMAL » (verte) : allumée lorsque la puissance d'entrée de l'onduleur est normale.
- B** DEL « BATTERY » (batterie) (ambre) : allumée lorsque l'onduleur se trouve en mode batterie de secours.
- C** DEL « BYPASS » (dérivation) (ambre) : allumée lorsque l'onduleur se trouve en mode de dérivation manuelle.
- D** DEL « FAULT » (anomalie) (rouge) : allumée pour signaler toute anomalie.
- E** Affichage d'état ACL : affichage multi-langue.
- F** Bouton « ESC » (sortie) : Sortie/Page arrière.
- G** Boutons de défilement (▲ et ▼) : faire défiler le curseur vers le haut ou vers le bas.
- H** Bouton « Enter » (entrée) (↵) : confirme les configurations.
- I** Bouton « ON » (marche) : appuyer et maintenir pendant 3 secondes pour activer l'onduleur (met l'inverseur sous tension).
- J** Bouton « OFF » (arrêt) : appuyer et maintenir pendant 3 secondes pour désactiver l'onduleur (met l'inverseur hors tension).
- K** Bouton « EPO » (arrêt d'urgence) : Le fait d'appuyer sur le bouton « EPO » aura pour effet d'éliminer complètement toute tension de la sortie de l'onduleur.



Panneau de commande

10-2 Hiérarchie de l'affichage

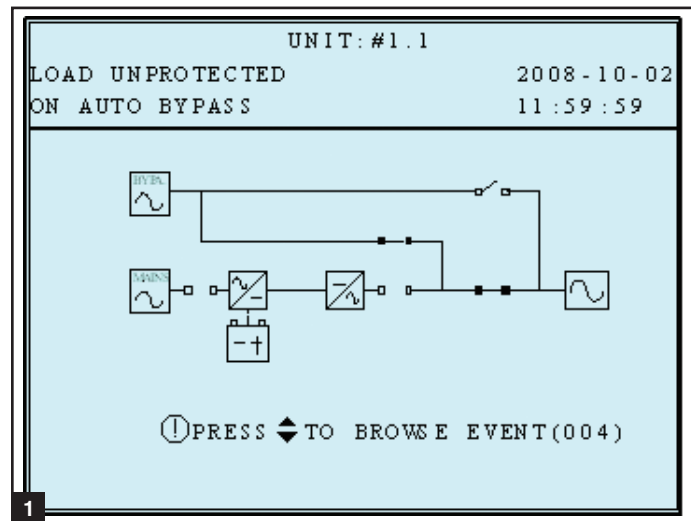
L'onduleur de série E3 de Tripp Lite comporte un écran ACL convivial pour afficher des messages et les écrans d'état de l'onduleur.



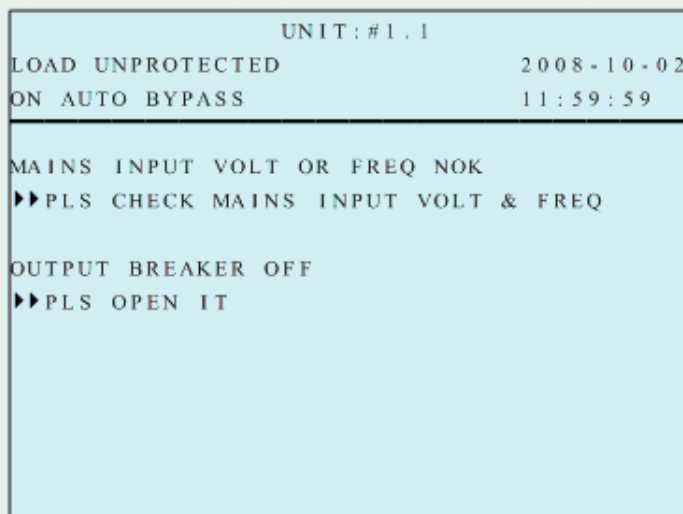
10

10-3 Affichage par défaut

- 1 Après le démarrage de l'onduleur et la complétion de l'auto-test, l'écran d'état ACL affichera l'affichage par défaut. L'affichage par défaut inclut un message de l'état et un diagramme qui illustre l'état opérationnel de l'onduleur.



Lorsqu'un événement survient, le symbole « ! » clignote. Vous pouvez appuyer sur « ▼ » pour voir les détails. Par exemple :



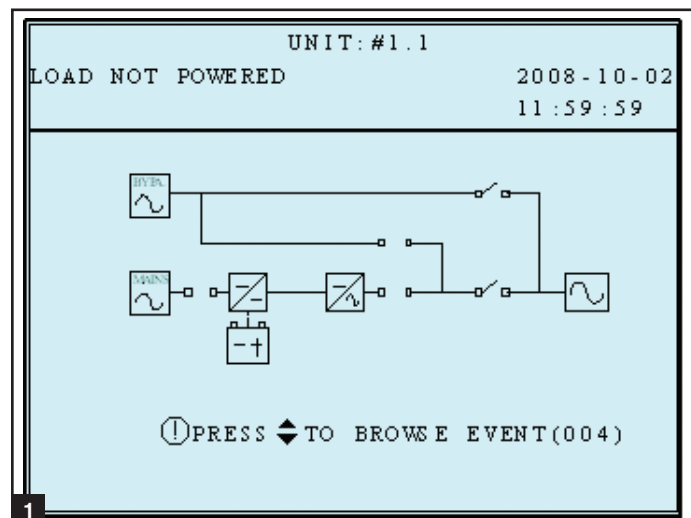
Appuyer de nouveau sur « ▼ » pour passer au message suivant. S'il n'y a aucun autre message, l'écran retournera à l'écran par défaut.

10-3-1 Affichage d'état

- 1 La sortie de l'onduleur est hors tension et les charges de l'équipement connecté ne sont pas alimentées. Cette condition pourrait être attribuable à l'arrêt automatique de l'onduleur ou à la mise hors tension manuelle du disjoncteur du circuit de sortie.

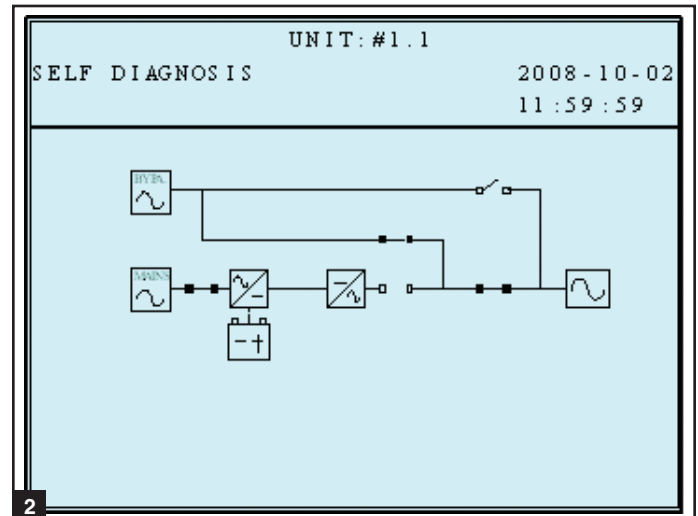
Causes possibles :

- L'onduleur se met lui-même automatiquement hors tension.
- Met manuellement hors tension le disjoncteur du circuit de sortie.

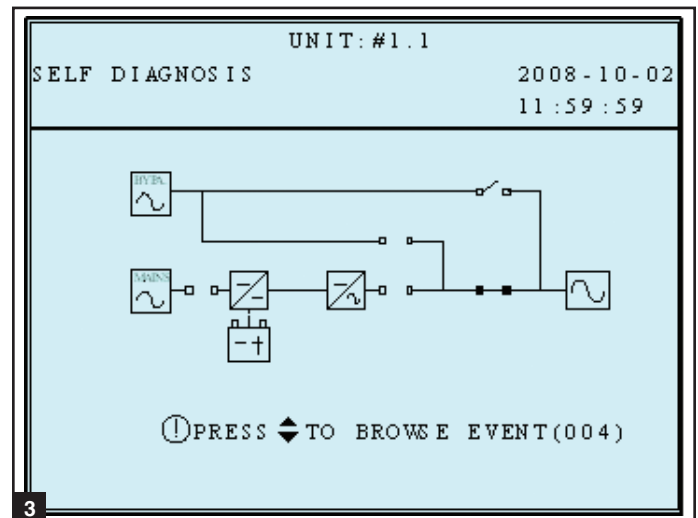


10-3-1 Affichage d'état (suite)

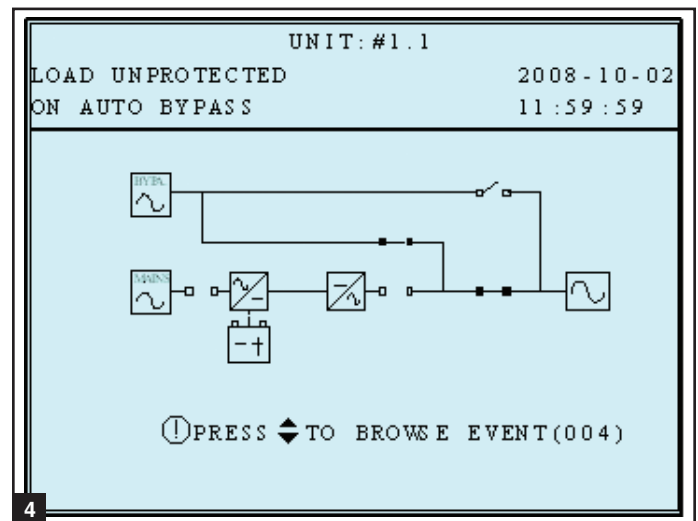
2 Les charges sont fournies par la source de dérivation en raison du démarrage initial de l'onduleur.



3 L'onduleur démarre par alimentation par batterie.



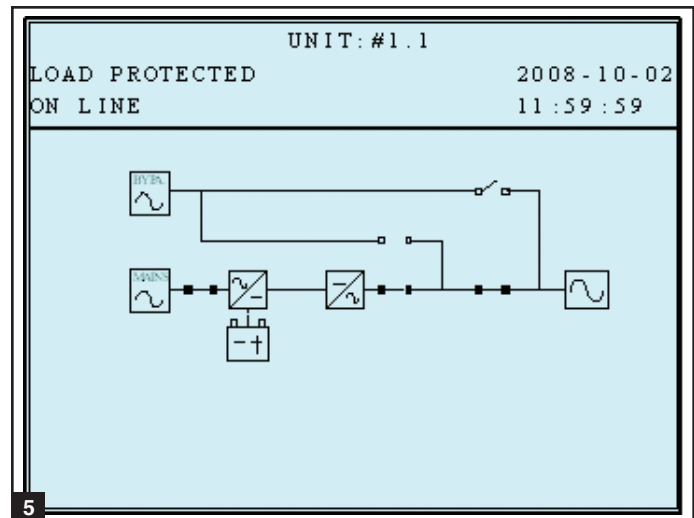
4 L'onduleur se trouve en mode de dérivation automatique. Les charges de l'équipement connecté perdront l'alimentation si la source de dérivation tombe en panne.



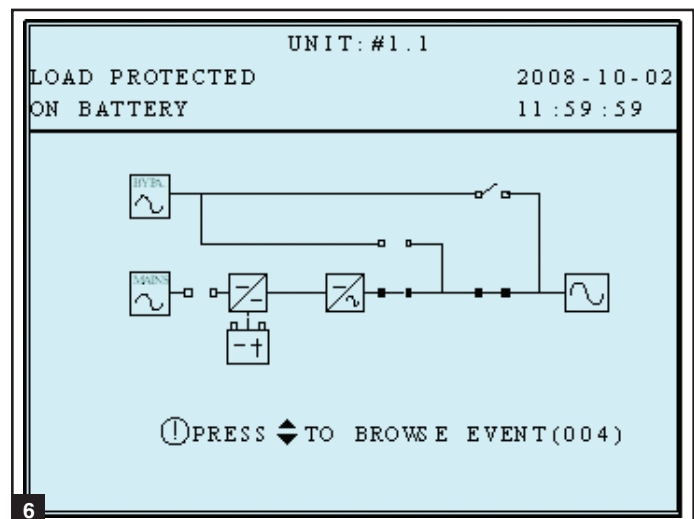
10 – Affichage et configuration (suite)

10-3-1 Affichage d'état (suite)

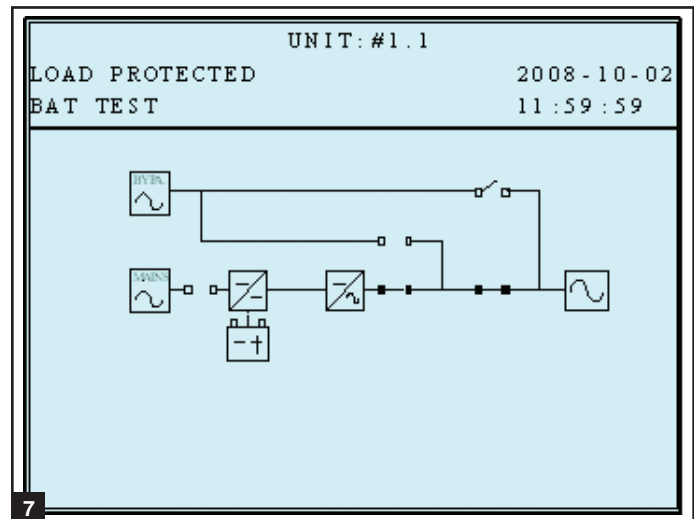
5 L'onduleur fonctionne en mode en ligne (normal). Les charges de l'équipement connecté recevront de l'alimentation des batteries de secours si la source de puissance principale (service public ou générateur) tombe en panne.



6 L'onduleur se trouve en mode batterie de secours. Les charges sont fournies par l'alimentation par batterie.



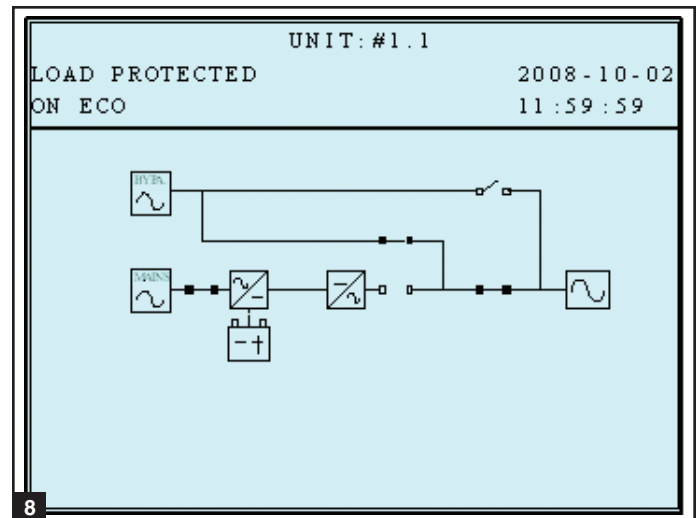
7 L'onduleur effectue le « test de batterie ».



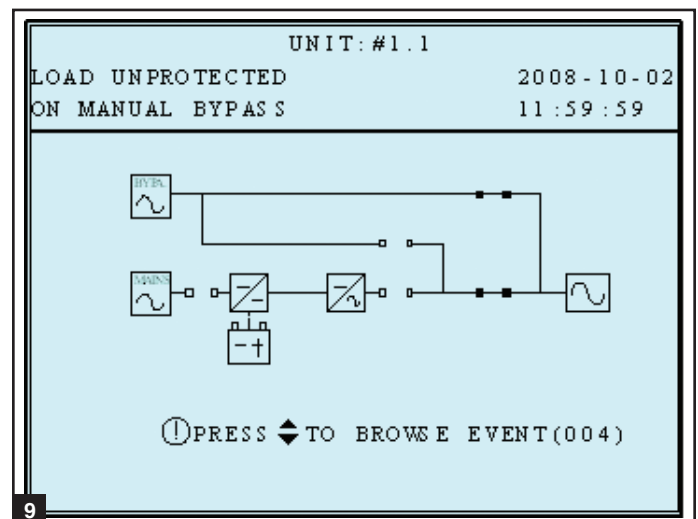
10 – Affichage et configuration (suite)

10-3-1 Affichage d'état (suite)

8 L'onduleur fonctionne en mode économie et les charges de l'équipement connecté sont alimentées par la source de dérivation.

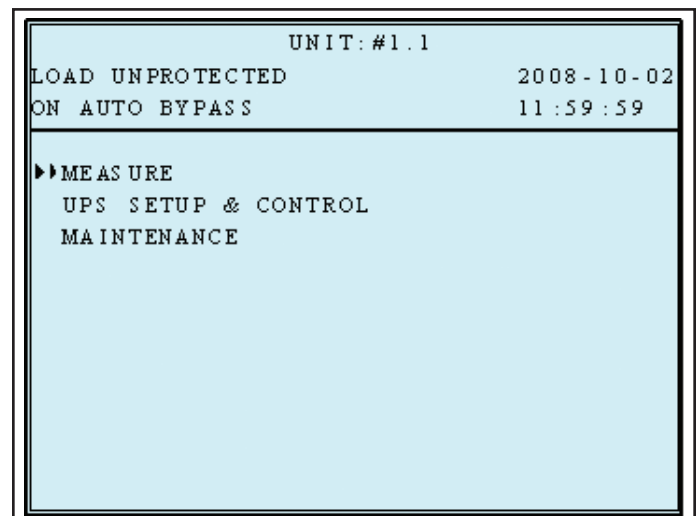


9 L'onduleur se trouve en mode de dérivation manuelle afin de permettre au personnel d'entretien qualifié d'effectuer l'entretien ou la réparation de l'onduleur. Les charges de l'équipement connecté perdront l'alimentation si la source de dérivation tombe en panne.



10-4 Menu principal

À partir de l'affichage par défaut, appuyer sur le bouton (←) pour accéder au menu principal. Appuyer sur le bouton de défilement vers le bas (▼) ou le bouton de défilement vers le haut (▲) pour déplacer le curseur. Appuyer sur le bouton Entrée (↵) pour sélectionner une des options du menu disponibles.

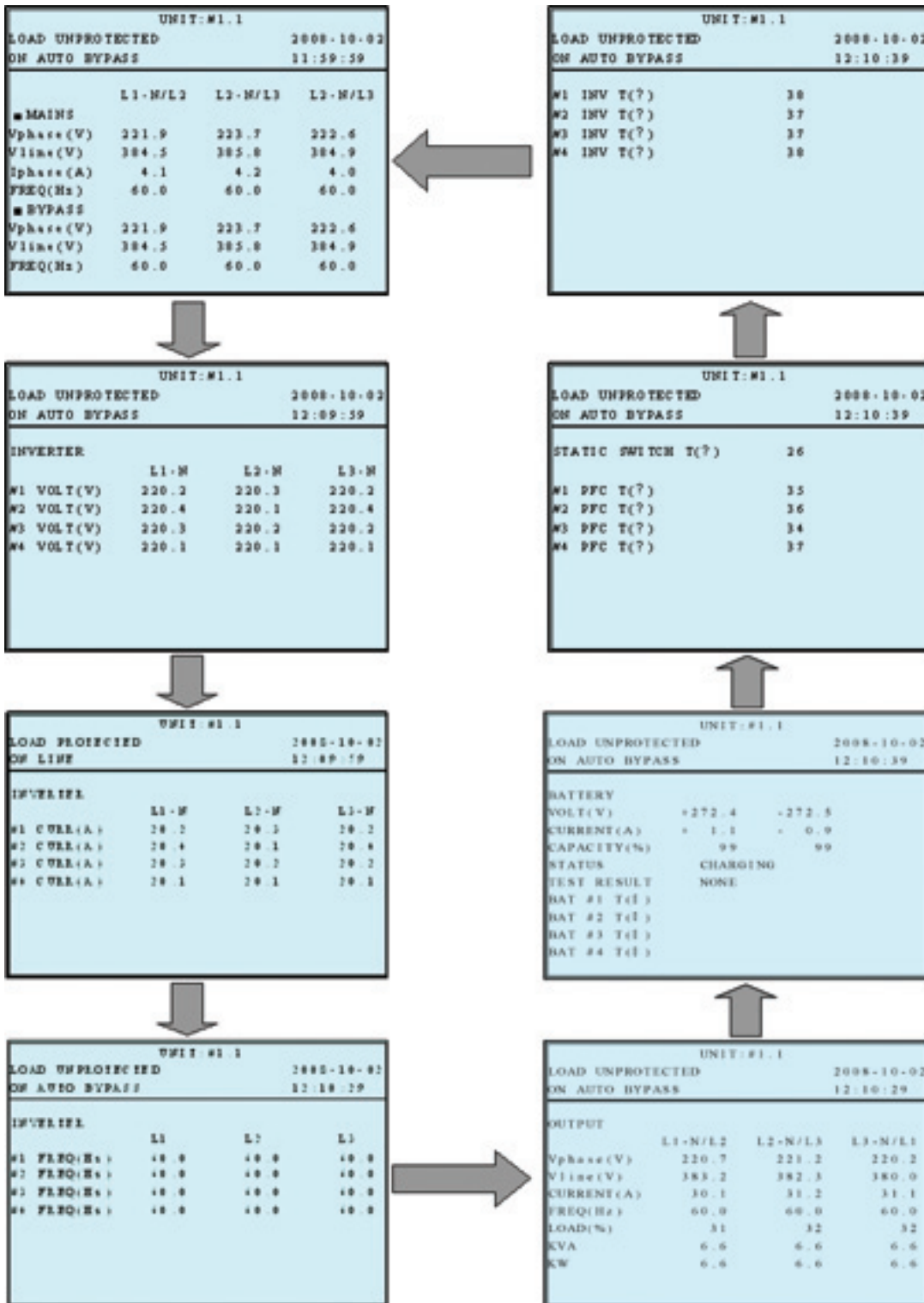


10 – Affichage et configuration (suite)

10-4 Menu principal (suite)

« Measure Menu » (menu des mesures) de l'onduleur

- Appuyer sur le bouton « Enter » (Entrée) (↵) pour sélectionner « MEASURE » à partir du menu principal.
- Utiliser les boutons de défilement (▲ ou ▼) pour faire défiler les écrans de données disponibles. Appuyer sur le bouton « ESC » pour retourner au menu précédent.



10-5 Configuration de l'onduleur

Avant de changer le réglage de chaque CONFIGURATION, vous devez d'abord ouvrir une session.

- 1 Un mot de passe est nécessaire pour accéder au menu de configuration de l'onduleur. À partir de l'écran de connexion, appuyer sur le bouton « Enter » (Entrée) (↵) pour sélectionner si vous souhaitez vous connecter en tant qu'administrateur ou en tant qu'utilisateur.

ADMINISTRATEUR :
personnel d'entretien qualifié

Utilisateur :
L'autorisation est uniquement pour vérifier le paramètre et non pas pour configurer.

- 2 Le mot de passe comporte 4 chiffres. Appuyer sur le bouton de défilement vers le bas (▼) ou sur le bouton de défilement vers le haut (▲) pour sélectionner le premier chiffre, puis appuyer sur le bouton « Enter » (Entrée) (↵) pour saisir le chiffre choisi. Après avoir saisi le dernier chiffre, appuyer sur le bouton « Enter » (↵) pour confirmer le mot de passe choisi. Le mot de passe par défaut de l'utilisateur est 0000. Le mot de passe par défaut de l'administrateur est 0000. Seul le personnel d'entretien qualifié devrait avoir accès au mot de passe de l'administrateur.

```
UNIT: #1.1
LOAD UNPROTECTED      2008-10-02
ON AUTO BYPASS        12:09:49

▶▶ BYPASS
  OUTPUT
  BATTERY
  CHARGER
  PARALLEL
  CONTROL & TEST
  LOCAL
```

```
UNIT: #1.1
LOAD UNPROTECTED      2008-10-02
ON AUTO BYPASS        11:59:59

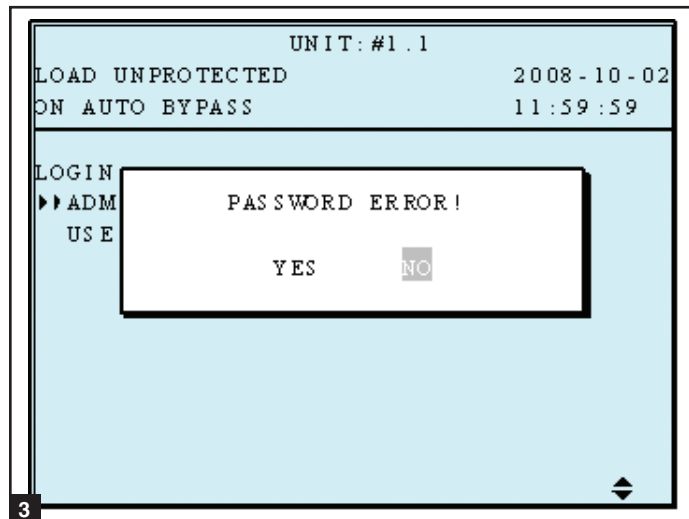
LOGIN
▶▶ ADMIN IS TRATOR    0000
  USER                0000
```

```
UNIT: #1.1
LOAD UNPROTECTED      2008-10-02
ON AUTO BYPASS        11:59:59

LOGIN
▶▶ ADMIN IS TRATOR    0000
  USER                0000
```

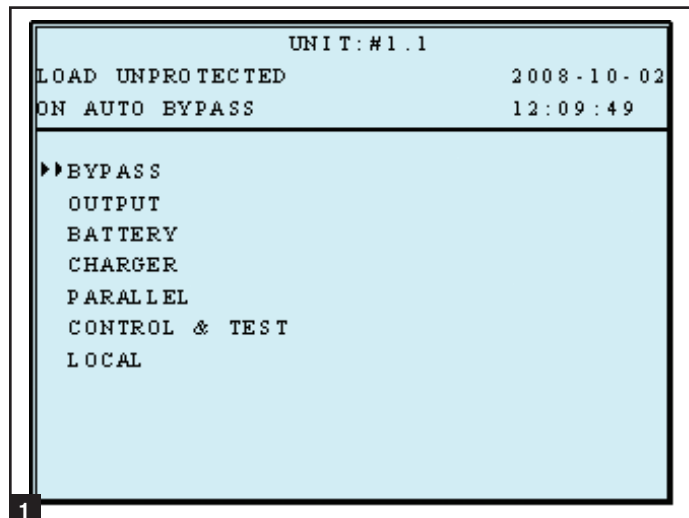
10-5 Configuration de l'onduleur (suite)

- 3** Si le mot de passe est incorrect, appuyer sur « ← » pour sélectionner à nouveau.

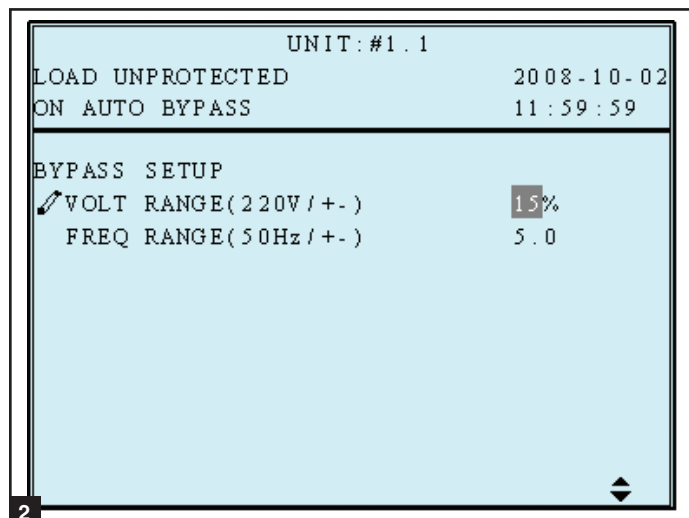


10-5-1 Configuration de la dérivation

- 1** Accéder au menu de configuration de l'onduleur. Utiliser les boutons de défilement (▲, ▼) pour déplacer le curseur sur BYPASS SETUP » (configuration de la dérivation), puis appuyer sur le bouton « Enter » (Entrée) (↵).



- 2** À partir de l'écran « VOLTAGE RANGE » (gamme de la tension), utiliser les boutons de défilement (▲, ▼) pour sélectionner une gamme de tension de dérivation, puis appuyer sur le bouton « Enter » (Entrée) (↵) pour confirmer le paramètre.

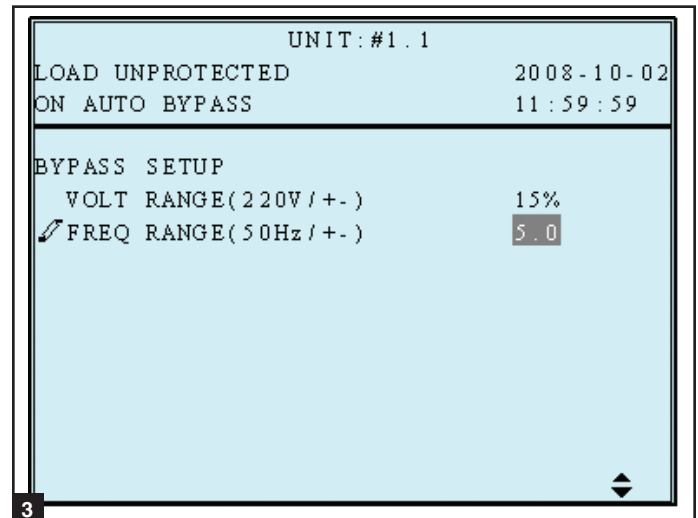


10 – Affichage et configuration (suite)

10-5-1 Configuration de la dérivation (suite)

- À partir de l'écran « FREQUENCY RANGE » (gamme de la fréquence), utiliser les boutons de défilement (▲, ▼) pour sélectionner une gamme de fréquence de dérivation, puis appuyer sur le bouton « Enter » (Entrée) (↵) pour confirmer la configuration.

Appuyer sur « ESC » (quitter) pour retourner au menu « UPS SETUP » (configuration de l'onduleur).



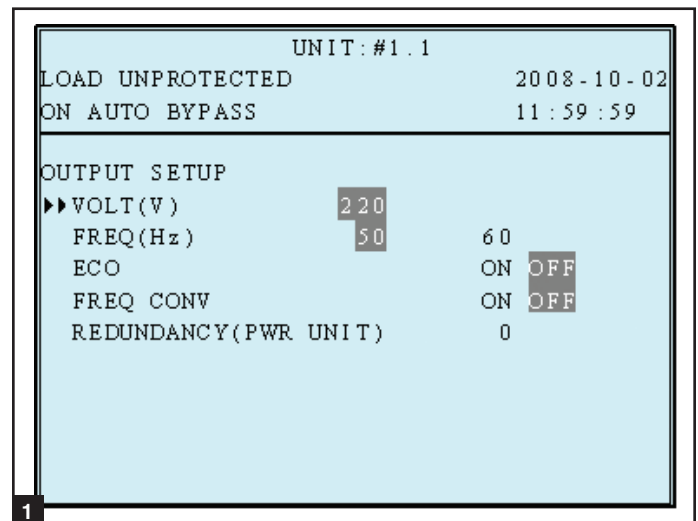
10-5-2 Configuration de la sortie

Utiliser « ▲ » ou « ▼ » pour sélectionner « OUTPUT SETUP » (configuration de la sortie), puis appuyer sur « ↵ » pour confirmer.



Les paramètres de ce segment ne peuvent être changés que lorsque l'onduleur se trouve en « Bypass Mode » (mode de dérivation).

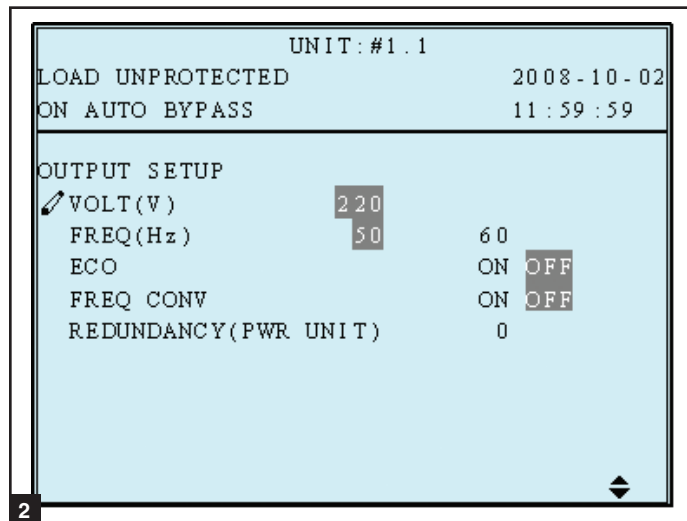
- Accéder au menu de configuration de l'onduleur. Utiliser les boutons de défilement (▲, ▼) pour déplacer le curseur sur « OUTPUT SETUP » (configuration de la sortie), puis appuyer sur le bouton « Enter » (Entrée) (↵).



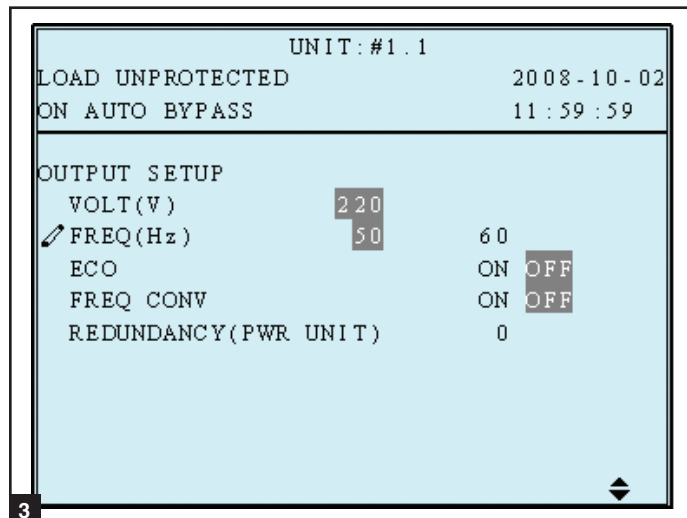
10-5-2 Configuration de la sortie (suite)

2 Tension de sortie

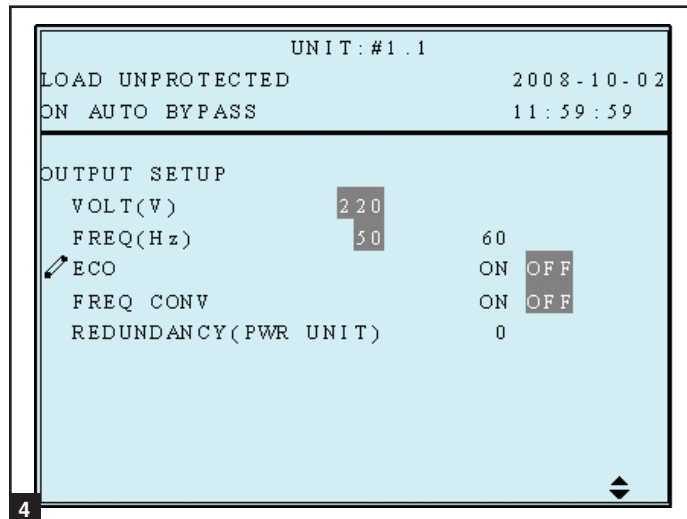
Ne pas changer le paramètre par défaut de la tension, car cela aura un effet négatif sur le rendement de l'onduleur.



3 À partir de l'écran « FREQUENCY » (fréquence), utiliser les boutons de défilement (▲,▼) pour sélectionner le paramètre désiré et appuyer sur « Enter » (Entrée) (↵) pour confirmer le paramètre.
Remarque : Le paramètre de la fréquence de sortie est utilisé seulement lorsque l'onduleur se met sous tension par batterie ou lorsque le mode de convertisseur de fréquence est activé.

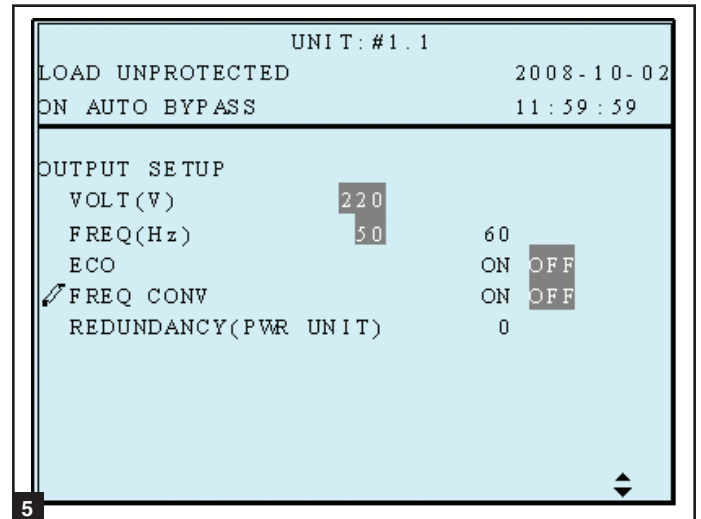


4 À partir de l'écran « ECO MODE » (mode économie), utiliser les boutons de défilement (▲,▼) pour sélectionner le paramètre désiré et appuyer sur « Enter » (Entrée) (↵) pour confirmer le paramètre.



10-5-2 Configuration de la sortie (suite)

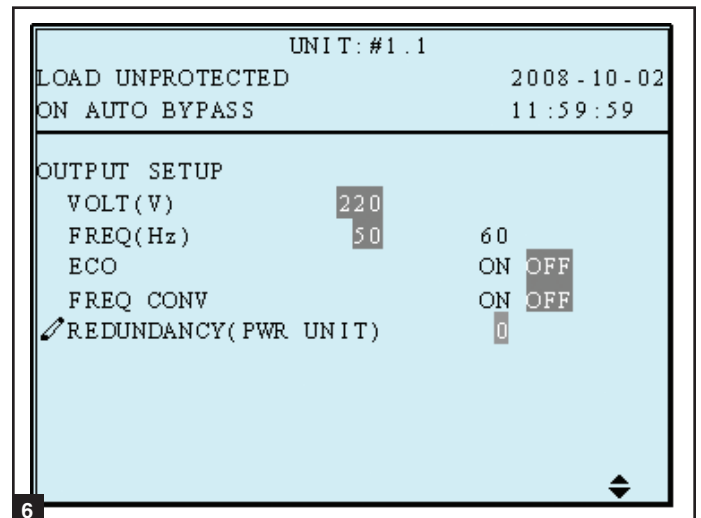
- 5 À partir de l'écran « ECO MODE » (mode économie), utiliser les boutons de défilement (▲, ▼) pour sélectionner le paramètre désiré et appuyer sur « Enter » (Entrée) (↵) pour confirmer le paramètre. En mode convertisseur de fréquence, l'onduleur va convertir la fréquence d'énergie électrique entrante en une fréquence de sortie différente. Par conséquent, 60 Hz peut passer à 50 Hz de sortie ou 50 Hz d'entrée peut passer à 60 Hz de sortie. En mode convertisseur de fréquence, la puissance de dérivation n'est pas une source disponible (l'onduleur ne transférera pas à dérivation).



Redondance

- 6 Utiliser « ▲ » ou « ▼ » pour sélectionner le nombre désiré de modules pour la redondance (normalement un seul), puis appuyer sur « ↵ » pour confirmer.

Cette fonction permet à l'utilisateur de déterminer une limite de puissance de sortie acceptable pour garantir une redondance de N+1. Lorsque cette fonction est activée, l'onduleur va envoyer un signal d'alarme lorsque la consommation d'électricité dépassera 80 % des modules de puissance « non redondants » tout en maintenant le nombre de modules de puissances redondants défini. Par exemple, sur un onduleur de 80 kVA, si le paramètre de redondance est réglé à « 1 Power Module » (module de puissance 1), l'onduleur va déclencher une alarme lorsque vous excédez 80 % de 60 kVA de façon à garantir un module de puissance pour une redondance de N+1.



Appuyer sur « ESC » (quitter) pour retourner au menu « UPS SETUP » (configuration de l'onduleur).

10-5-3 Configuration de la batterie

Utiliser « ▲ » ou « ▼ » pour sélectionner « BATTERY » (batterie), puis appuyer sur « ↵ » pour confirmer.



Les paramètres de ce segment ne peuvent être changés que lorsque l'onduleur se trouve en « Bypass Mode » (mode de dérivation).

10-5-3 Configuration de la batterie (suite)

- 1 Accéder au menu de configuration de l'onduleur. Utiliser les boutons de défilement (▲, ▼) pour déplacer le curseur sur « BATTERY SETUP » (configuration de la batterie), puis appuyer sur le bouton « Enter » (↵).

Au démarrage de l'onduleur, vous devez saisir les informations au sujet de la batterie, y compris la capacité nominale en ampères-heures, le nombre de chaînes et le courant du chargeur. Utiliser les formules suivantes comme guide.

TYPE (AH) – Les batteries internes sont de 9 Ah par chaîne. La capacité nominale Ah pour les batteries externes est égale au nombre après le « V » dans le nom du modèle. *Par exemple, BP480V26B = 26 Ah.* Lorsque des batteries internes et externes sont utilisées, faire la somme des valeurs de chaque chaîne de batteries. *Par exemple, SU40KX et BP480V26B = 58 Ah (9+9+40).*

CHAÎNES DE BATTERIES – Si uniquement des batteries internes sont utilisées, saisir le nombre de chaînes. *Par exemple, SU40KX possède deux chaînes de batteries internes, il faut alors saisir « 2 ».* Si des batteries internes et externes sont utilisées, ne pas compter les batteries internes. *Par exemple, SU40KX avec BP480V55, saisir « 1 ».*

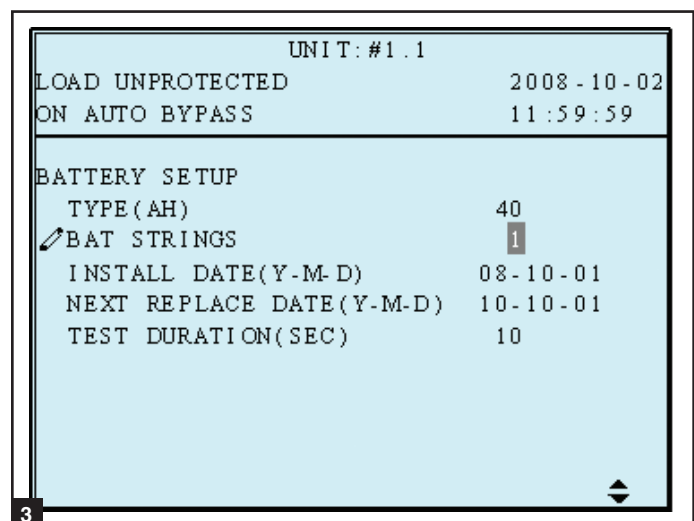
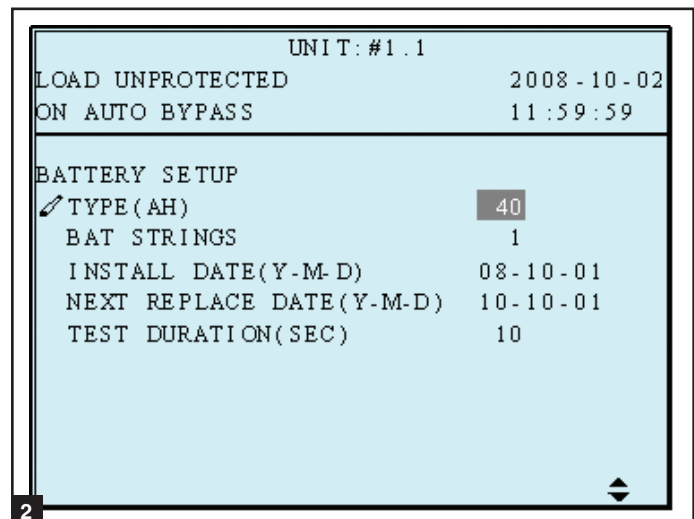
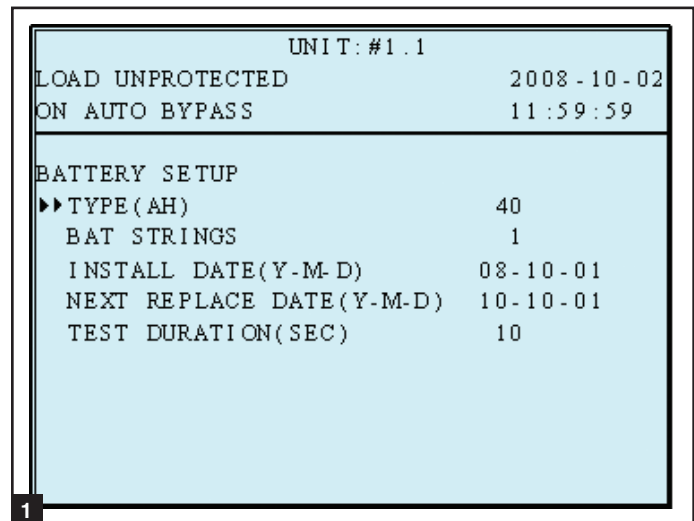
CHARGER CURRENT (courant du chargeur) – Voir la [Section 10-5-4](#) pour des renseignements au sujet de la configuration du courant du chargeur.

- 2 À partir de l'écran « EXT BAT TYPE » (type de batterie externe), utiliser les boutons de défilement (▲, ▼) pour sélectionner les paramètres désirés et appuyer sur le bouton « Enter » (Entrée) (↵) pour confirmer les paramètres. *Remarque : Consulter l'étape 1 pour de plus amples conseils sur les paramètres Ah.*

BP480V26B = 26 Ah
 BP480V40C = 40 Ah
 BP480V55 = 55 Ah
 BP480V78 = 78 Ah
 BP480V103 = 103 Ah
 BP480V140 = 140 Ah

- 3 **Chaînes de batteries**

Utiliser « ▲ » ou « ▼ » pour sélectionner le nombre désiré de chaînes de batteries, puis appuyer sur « ↵ » pour confirmer. *Remarque : Consulter l'étape 1 pour des informations au sujet des paramètres de chaîne de batteries.*



10-5-3 Configuration de la batterie (suite)

- 4** À partir de l'écran « INSTALL DATE » (date de l'installation), utiliser les boutons de défilement (▲,▼) pour sélectionner les paramètres désirés et appuyer sur le bouton « Enter » (Entrée) (↵) pour confirmer les paramètres.

UNIT: #1.1
LOAD UNPROTECTED 2008-10-02
ON AUTO BYPASS 11:59:59

BATTERY SETUP
TYPE(AH) 40
BAT STRINGS 1
✎INSTALL DATE(Y-M-D) 08-10-01
NEXT REPLACE DATE(Y-M-D) 10-10-01
TEST DURATION(SEC) 10

4

- 5** **Date du prochain remplacement de la batterie**
Utiliser « ▲ » ou « ▼ » pour établir la date du prochain remplacement, puis appuyer sur « ↵ » pour confirmer. (Une fois que la date fixée est atteinte, l'onduleur va donner l'alarme et un message s'affichera sur l'écran ACL.)

UNIT: #1.1
LOAD UNPROTECTED 2008-10-02
ON AUTO BYPASS 11:59:59

BATTERY SETUP
TYPE(AH) 40
BAT STRINGS 1
INSTALL DATE(Y-M-D) 08-10-01
✎NEXT REPLACE DATE(Y-M-D) 10-10-01
TEST DURATION(SEC) 10

5

- 6** À partir de l'écran « TEST DURATION » (durée du test), utiliser les boutons de défilement (▲,▼) pour sélectionner le paramètre désiré et appuyer sur le bouton « Enter » (Entrée) (↵) pour confirmer le paramètre.

Appuyer sur « ESC » (quitter) pour retourner au menu « UPS SETUP » (configuration de l'onduleur).

UNIT: #1.1
LOAD UNPROTECTED 2008-10-02
ON AUTO BYPASS 11:59:59

BATTERY SETUP
TYPE(AH) 40
BAT STRINGS 1
INSTALL DATE(Y-M-D) 08-10-01
NEXT REPLACE DATE(Y-M-D) 10-10-01
✎TEST DURATION(SEC) 10

6

10-5-4 Configuration du chargeur

Utiliser « ▲ » ou « ▼ » pour sélectionner « CHARGER » (chargeur), puis appuyer sur « ← » pour confirmer.

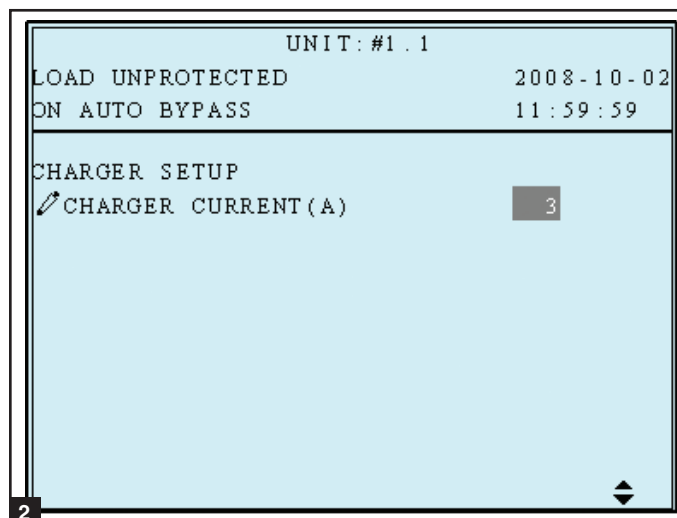
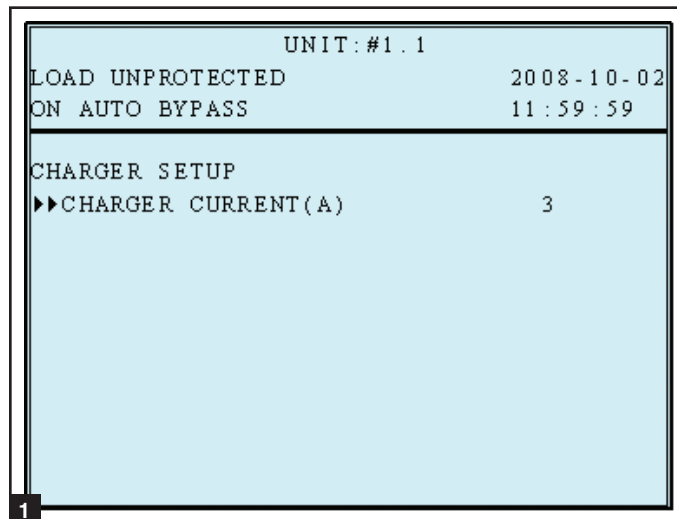
- 1 À partir de l'écran « CHARGER CURRENT » (courant du chargeur), utiliser les boutons de défilement (▲,▼) pour sélectionner le paramètre désiré et appuyer sur « Enter » (Entrée) (↵) pour confirmer le paramètre. *Remarque : Le paramètre par défaut du courant du chargeur est 7 A.*

Chaque module de puissance interne comporte un chargeur 5 ampères. Le courant du chargeur peut être configuré à un minimum de 2 ampères au total jusqu'à un maximum de 5 ampères par module de puissance interne, multiplié par le nombre de modules. *Par exemple, le SU60KX a trois modules de puissance internes, alors la gamme du courant de son chargeur est de 2 à 15 ampères.* Configurer la valeur du courant du chargeur en fonction de la taille du système d'alimentation par batteries. Consulter la [Section 10-5-3](#) pour de plus amples informations sur la façon de déterminer la taille du système d'alimentation par batteries.

Avertissement : Configurer le courant du chargeur de façon trop élevée pourrait endommager les batteries et réduire leur durée de vie utile. Consulter l'usine pour obtenir des conseils avant de changer le paramètre par défaut.

- 2 Appuyer sur « ▲ » ou « ▼ » pour changer le courant de chargement, puis appuyer sur « ← » pour confirmer.

Appuyer sur « ESC » (quitter) pour retourner au menu « UPS SETUP » (configuration de l'onduleur).



10-5-5 Configuration en parallèle

Utiliser « ▲ » ou « ▼ » pour sélectionner « PARALLEL » (parallèle), puis appuyer sur « ↵ » pour confirmer.

- 1 Utiliser « ▲ » ou « ▼ » pour sélectionner l'article désiré, puis appuyer sur « ↵ » pour confirmer.

```
UNIT:#1.1
LOAD UNPROTECTED          2008-10-02
ON AUTO BYPASS           11:59:59

PARALLEL SETUP
▶▶ PARALLEL GROUP         1
  PARALLEL ID            1
```

- 2 **Groupe parallèle**

Le paramètre du groupe parallèle dit à l'onduleur qu'il fonctionne en parallèle. Le groupe 1 est le paramètre par défaut. Voir la [Section 7 – Câblage](#) pour des recommandations concernant le câblage. *Remarque : Les paramètres possibles sont 1 ou 2.*

```
UNIT:#1.1
LOAD UNPROTECTED          2008-10-02
ON AUTO BYPASS           11:59:59

PARALLEL SETUP
✎ PARALLEL GROUP         1
  PARALLEL ID            1
```

- 3 **Parallel ID (Identification en parallèle)**

Identifie le numéro de l'onduleur (1 à 8) au sein du groupe. Lorsque des onduleurs sont installés en parallèle, chacun doit avoir une identification en parallèle unique.

Appuyer sur « ESC » (quitter) pour retourner au menu « UPS SETUP » (configuration de l'onduleur).

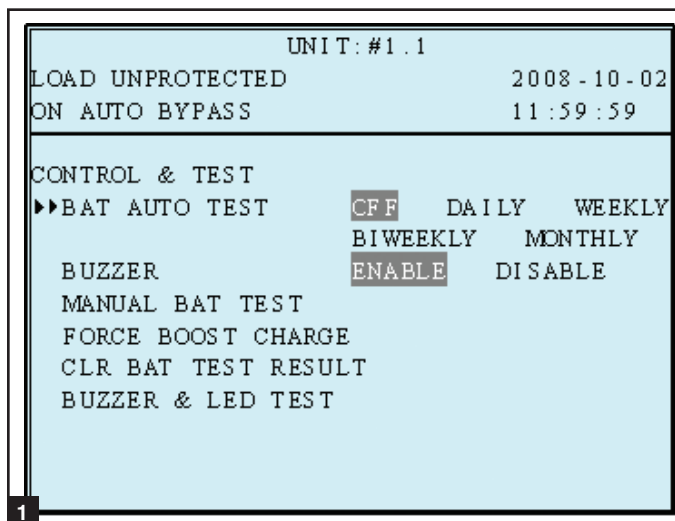
```
UNIT:#1.1
LOAD UNPROTECTED          2008-10-02
ON AUTO BYPASS           11:59:59

PARALLEL SETUP
  PARALLEL GROUP         1
✎ PARALLEL ID            1
```

10-5-6 Configuration des contrôles et des tests

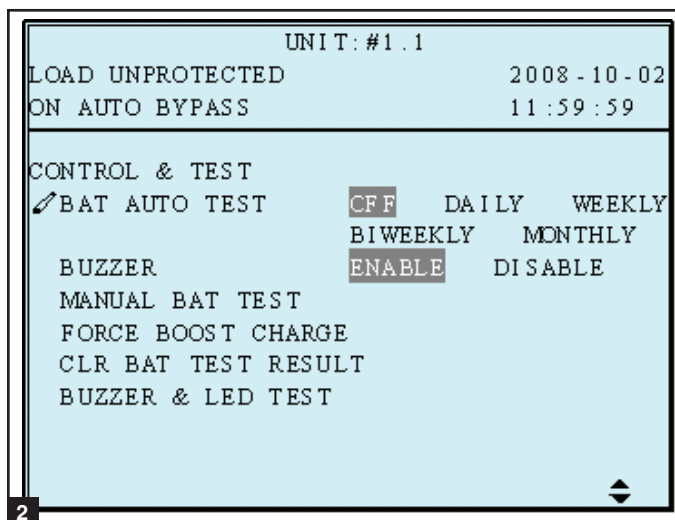
Utiliser « ▲ » ou « ▼ » pour sélectionner « CONTROL & TEST » (contrôle et test), puis appuyer sur « ← » pour confirmer.

- 1 Utiliser « ▲ » ou « ▼ » pour sélectionner l'article désiré, puis appuyer sur « ← » pour confirmer.



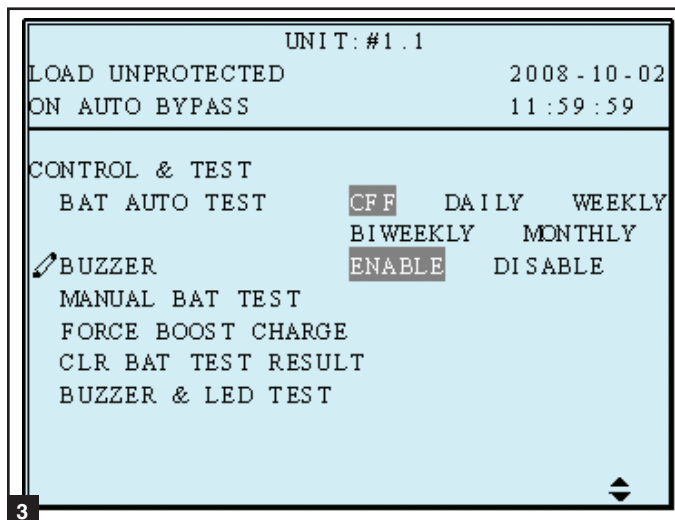
- 2 **Battery Auto Test (test automatique de la batterie)**

Utiliser « ▲ » ou « ▼ » pour sélectionner l'article désiré, puis appuyer sur « ← » pour confirmer. Permet la programmation de la fréquence des tests de batterie pour la durée sélectionnée à dans la [Section 10-5-3](#), à l'étape 6.



- 3 **Buzzer (vibreur sonore)**

Utiliser « ▲ » ou « ▼ » pour activer ou désactiver le vibreur sonore, puis appuyer sur « ← » pour confirmer. Met l'alarme audible en sourdine.



10-5-6 Configuration des contrôles et des tests (suite)

4 Manual Battery Test (test manuel de la batterie)

Appuyer sur « ←] » pour effectuer un « MANUAL BAT TEST » (test manuel de la batterie). Permet d'effectuer un test de la batterie en-dehors de l'horaire prévu à la discrétion de l'utilisateur.

(Cet article n'est accessible que par l'administrateur ! Un mot de passe est requis.)

UNIT: #1.1
LOAD UNPROTECTED 2008-10-02
ON AUTO BYPASS 11:59:59

CONTROL & TEST
BAT AUTO TEST CFF DAILY WEEKLY
BIWEEKLY MONTHLY
BUZZER ENABLE DISABLE
✎ MANUAL BAT TEST OK?
FORCE BOOST CHARGE
CLR BAT TEST RESULT
BUZZER & LED TEST

4

5 Force Boost Charge (charge forcée)

Appuyer sur « ←] » pour effectuer une « FORCE BOOST CHARGE » (charge forcée) permet l'activation de la charge forcée dont la tension est 20 % plus élevée que le paramètre normal. Avertissement : Le fait de forcer le taux de charge de la batterie pendant des périodes prolongées risque d'endommager le système de la batterie.

UNIT: #1.1
LOAD UNPROTECTED 2008-10-02
ON AUTO BYPASS 11:59:59

CONTROL & TEST
BAT AUTO TEST CFF DAILY WEEKLY
BIWEEKLY MONTHLY
BUZZER ENABLE DISABLE
✎ FORCE BOOST CHARGE OK?
CLR BAT TEST RESULT
BUZZER & LED TEST

5

6 Clear Battery Test Result (Effacer le résultat du test de la batterie)

Appuyer sur « ←] » pour « CLR BAT TEST RESULT » (effacer le résultat du test de la batterie). Cela permettra d'effacer tous les résultats du test de la batterie du journal.

Remarque : Le fait d'effacer des journaux d'événements risque d'annuler les réclamations au titre de la garantie. Toutes les réclamations au titre de la garantie doivent être accompagnées d'informations venant du journal des événements.

UNIT: #1.1
LOAD UNPROTECTED 2008-10-02
ON AUTO BYPASS 11:59:59

CONTROL & TEST
BAT AUTO TEST CFF DAILY WEEKLY
BIWEEKLY MONTHLY
BUZZER ENABLE DISABLE
✎ CLR BAT TEST RESULT OK?
BUZZER & LED TEST

6

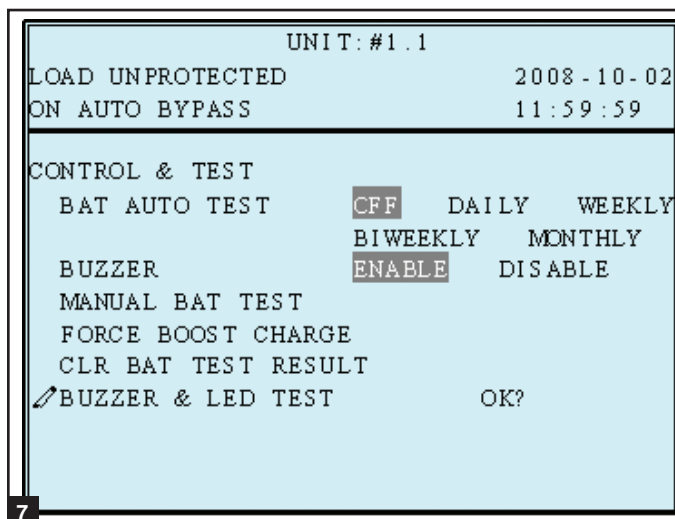
10 – Affichage et configuration (suite)

10-5-6 Configuration des contrôles et des tests

7 (suite)

Sélectionner « BUZZER AND LED TEST » (Test du vibreur sonore et de la DEL) pour initier le test des DEL du panneau de commande et de l'alarme audible. Vous devez saisir le mot de passe de l'administrateur pour confirmer l'opération.

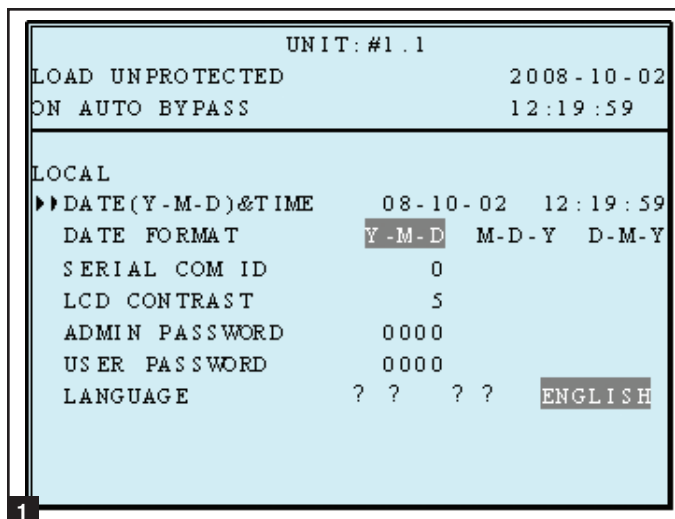
Appuyer sur « ESC » (quitter) pour retourner au menu « UPS SETUP » (configuration de l'onduleur).



10-5-7 Configuration locale

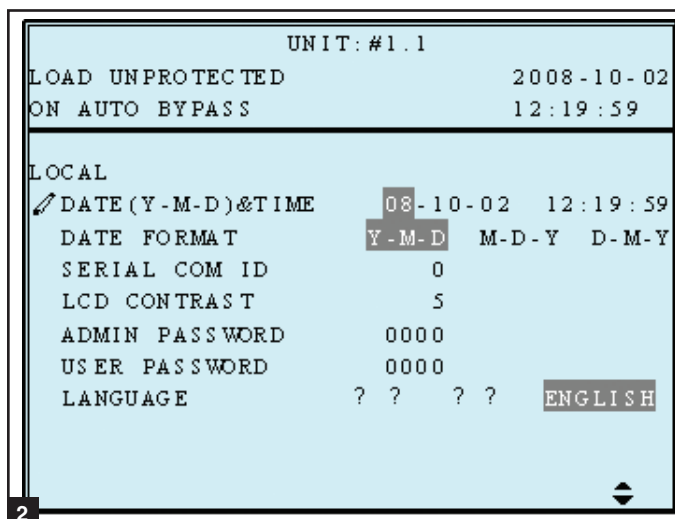
Utiliser « ▲ » ou « ▼ » pour sélectionner « LOCAL SETUP » (configuration locale), puis appuyer sur « ↵ » pour confirmer.

1 Utiliser « ▲ » ou « ▼ » pour sélectionner l'article désiré, puis appuyer sur « ↵ » pour confirmer.



2 À partir de l'écran « DATE/TIME CHANGE » (changement de la date/heure), utiliser les boutons de défilement (▲,▼) pour sélectionner les paramètres désirés, puis appuyer sur le bouton « Enter » (Entrée) (↵) pour confirmer les paramètres.

Remarque : Il n'est pas nécessaire d'avoir un nom d'administrateur pour changer ce paramètre – un nom d'utilisateur est suffisant.

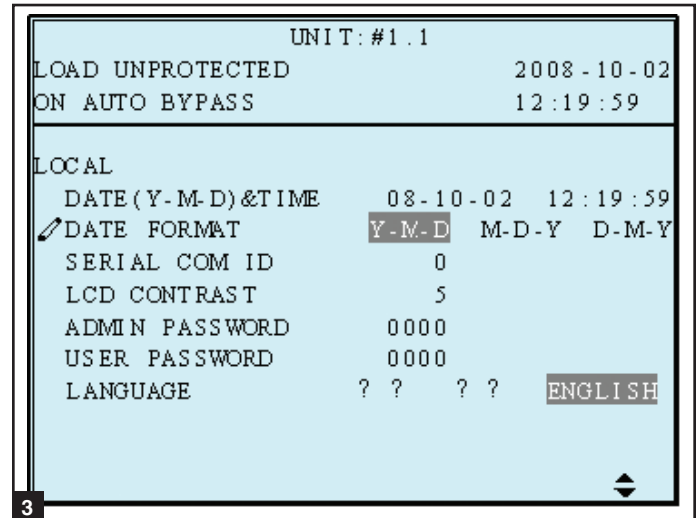


10-5-7 Configuration locale (suite)

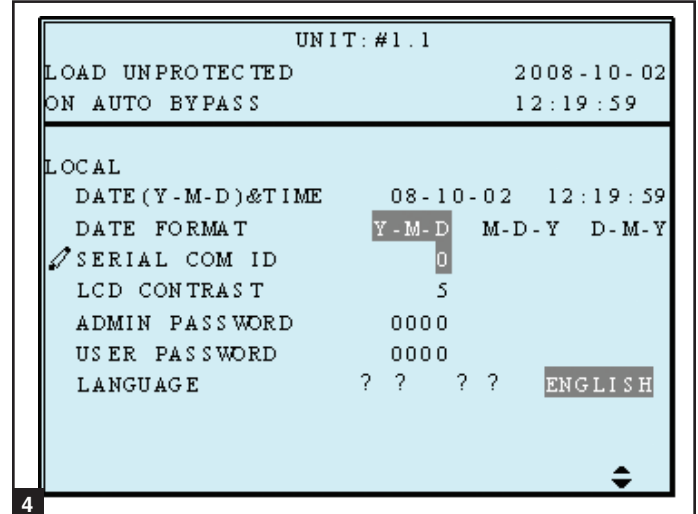
3 Format de la date

Utiliser « ▲ » ou « ▼ » pour changer le format de la date, puis appuyer sur « ← » pour confirmer.

(Cet article est accessible à l'utilisateur!)



- 4 À partir de l'écran « SERIAL COM ID », utiliser les boutons de défilement (▲,▼) pour sélectionner l'identification du port série et appuyer sur le bouton « Enter » (Entrée) (←) pour confirmer le paramètre. *Remarque : Ce paramètre ne s'applique pas aux connexions standards RS-232. Il s'applique uniquement aux communications RS-485/RS-422.*



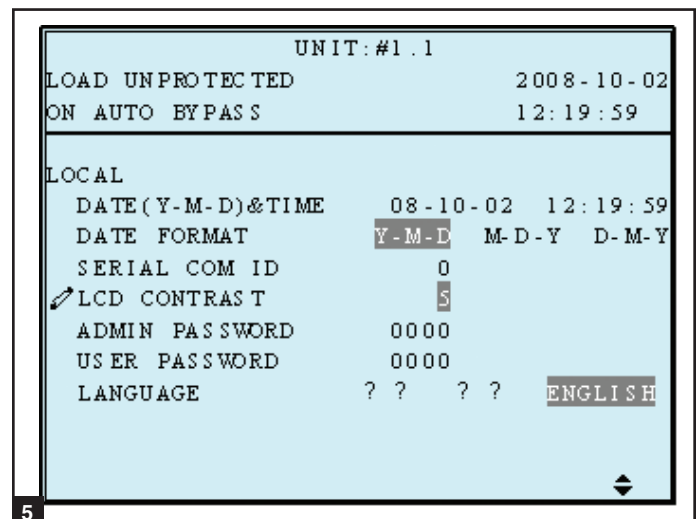
Cette identification n'est pas utilisée pour la connexion standard RS232. Si un convertisseur RS485/RS422 d'une autre marque est utilisé pour effectuer une connexion au port RS232, l'identification peut être configurée à 00, 01.....99.

5 Contraste ACL

Utiliser « ▲ » ou « ▼ » pour configurer le contraste de l'écran ACL, puis appuyer sur « ← » pour confirmer. Change le rapport de contraste de l'écran ACL.

(Cet article est accessible à l'utilisateur!)

1 est le niveau le plus bas et 5 est le niveau le plus haut.



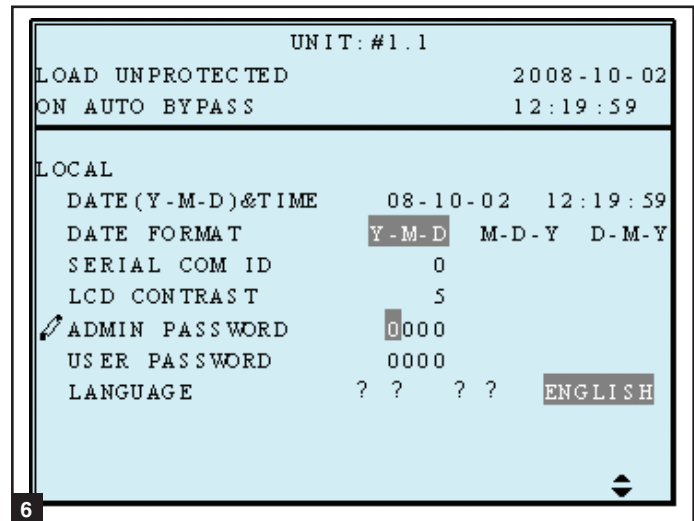
10 – Affichage et configuration (suite)

10-5-7 Configuration locale (suite)

6 Mot de passe de l'administrateur

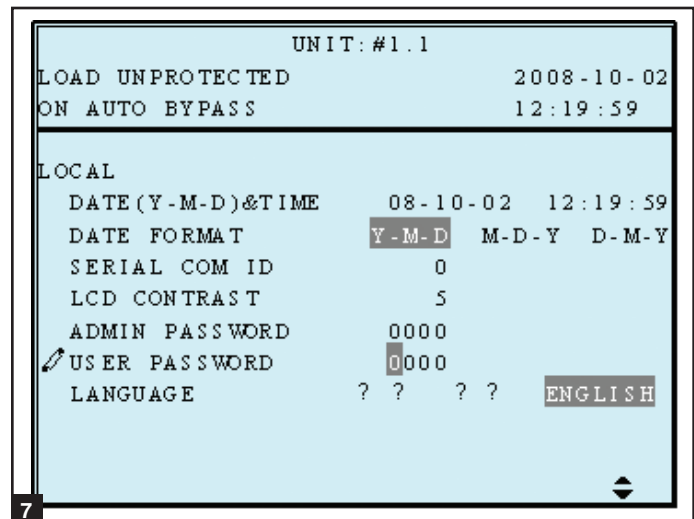
À partir de l'écran « PASSWORD CHANGE » (changer le mot de passe), utiliser les boutons de défilement (▲,▼) et le bouton « Enter » (Entrée) (↵) pour sélectionner le choix désiré sur le menu. Utiliser les boutons de défilement (▲,▼) pour sélectionner les paramètres désirés et appuyer sur le bouton « Enter » (Entrée) (↵) pour confirmer les paramètres.

Remarque : Le mot de passe de l'administrateur doit être utilisé par le personnel d'entretien qualifié seulement.



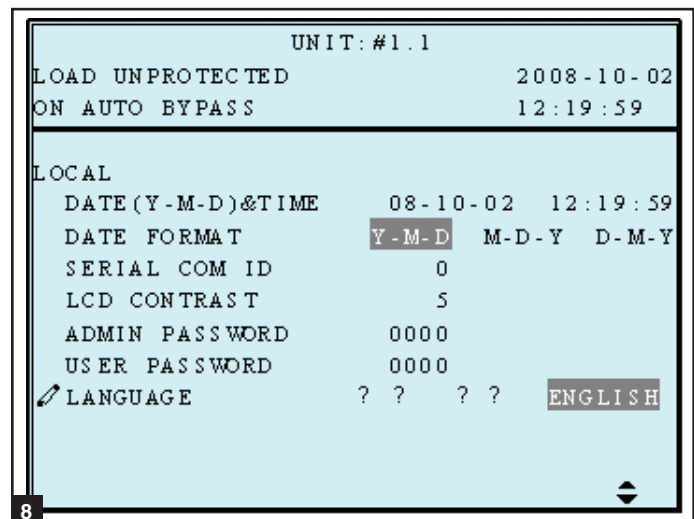
7 Mot de passe de l'utilisateur

Le mot de passe comporte 4 chiffres. À partir de l'écran « PASSWORD CHANGE » (changer le mot de passe), utiliser les boutons de défilement (▲,▼) et le bouton « Enter » (Entrée) (↵) pour sélectionner le choix désiré sur le menu. Utiliser les boutons de défilement (▲,▼) pour sélectionner les paramètres désirés et appuyer sur le bouton « Enter » (Entrée) (↵) pour confirmer les paramètres.



8 Langue

Utiliser « ▲ » ou « ▼ » pour sélectionner la langue de l'écran ACL, puis appuyer sur « ↵ » pour confirmer. Faire un choix à partir d'une variété de langues pouvant être affichées sur l'écran ACL.



Appuyer sur « ESC » (quitter) pour retourner au menu « UPS SETUP » (configuration de l'onduleur).

10-6 Entretien

Utiliser « ▲ » ou « ▼ » pour sélectionner « MAINTENANCE » (entretien) dans le menu principal, puis appuyer sur « ← » pour confirmer.

Le premier article est le numéro de série de l'onduleur.

- 1 Utiliser « ▲ » ou « ▼ » pour sélectionner l'article désiré, puis appuyer sur « ← » pour confirmer.

```
UNIT : #1 . 1
LOAD UNPROTECTED          2008-10-02
ON AUTO BYPASS            11:59:59

MAINTENANCE
S / N                      E1E08200013W0
▶ FW VERSION
STATISTICS
EVENT LOG
ADVANCED
```

- 2 **Version Firmware**

Utiliser « ▲ » ou « ▼ » pour sélectionner l'article de la version F/W, puis appuyer sur « ← » pour confirmer.

(L'écran affichera la version du micrologiciel du système et de chaque module de puissance.)

```
UNIT : #1 . 1
LOAD UNPROTECTED          2008-10-02
ON AUTO BYPASS            11:59:59

SYSTEM      TRIPP NLR 0 0
PM          PFC          INV
#1 H101010101110001    H101010201120002
#2 H101010101110001    H101010201120002
#3 H101010101110001    H101010201120002
#4 H101010101110001    H101010201120002
```

- 3 **Statistiques**

Utiliser « ▲ » ou « ▼ » pour lire les données statistiques, puis appuyer sur « ← » pour confirmer.

(L'écran affichera le « counts on battery » (total pour la batterie), le « counts on bypass » (total pour la dérivation) et le « total operation time » (durée totale de fonctionnement).)

```
UNIT : #1 . 1
LOAD UNPROTECTED          2008-10-02
ON AUTO BYPASS            11:59:59

ON BAT COUNTS              10
ON BYPASS COUNTS           123
OPERATION TIME(Y-D-H-M)    00-003-04-59
```

10-6 Entretien(suite)

4 Journal des événements

Utiliser « ▲ » ou « ▼ » pour lire le journal des événements, puis appuyer sur « ↵ » pour confirmer.

```
UNIT:#1.1
LOAD UNPROTECTED          2008-10-02
ON AUTO BYPASS            11:59:59

<001> 08-10-02 08:10:46
  Bypass Freq Abnormal
<002> 08-10-02 08:10:58
  Mains Input Voltage Abnormal
<003> 08-10-02 08:10:58
  Mains Input Freq Abnormal
<004> 08-10-02 08:10:59
  Output Breaker Off
<005> 08-10-02 08:10:59
  On Bypass
```

5 Évolué

Utiliser « ▲ » ou « ▼ » pour sélectionner un article « ADVANCED » (évolué), puis appuyer sur « ↵ » pour confirmer.

L'article « ADVANCED » inclut « clear statistics » (effacer les statistiques), « clear event log » (effacer le journal des événements), « firmware upgrade » (mise à jour du micrologiciel) et « other status monitor for service » (autre moniteur d'état de service).

(Cet article n'est accessible que par l'administrateur! Le mot de passe sera requis pour confirmer de nouveau.)

Avertissement : Le fait de nettoyer ou d'effacer le journal des événements risque d'annuler les réclamations au titre de la garantie. Toutes les réclamations au titre de la garantie doivent être accompagnées d'informations venant du journal des événements.

```
UNIT:#1.1
LOAD UNPROTECTED          2008-10-02
ON AUTO BYPASS            11:59:59

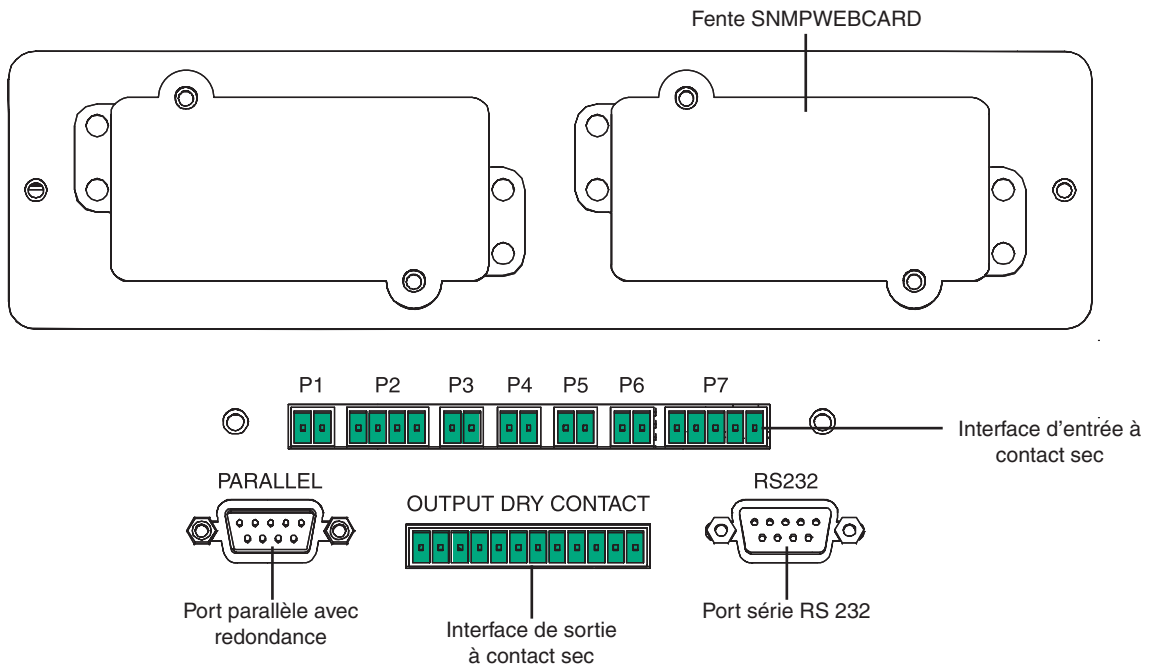
ADVANCED
▶▶CLR STATISTICS
  CLR EVENT LOG
  FW UPGRADE
  OTHERS
```

Appuyer sur « ESC » (quitter) pour retourner au menu « UPS SETUP » (configuration de l'onduleur).

11 – Communications

Remarque : les connexions de communication décrites dans cette section sont facultatives. L'onduleur fonctionnera correctement sans ces connexions.

11-1 Interfaces de communication



Remarque : Les connecteurs suivants sont fournis avec l'onduleur : P1, P2 et une bande à 12 positions pour les contacts secs de sortie. P3 et P7 ne sont expédiés qu'avec l'armoire de batteries BP480V26B ou BP480V40C correspondant.

11-2 Fente SNMPWEBCARD

Enlever le panneau fermant cette fente pour installer l'accessoire SNMPWEBCARD de Tripp Lite. L'accessoire SNMPWEBCARD fournit une interface Ethernet pour l'onduleur et permet de surveiller et contrôler l'appareil à distance via SNMP, un navigateur pour le web ou telnet. Visitez www.tripplite.com pour de plus amples informations sur la façon de commander l'accessoire SNMPWEBCARD.

11-3 Interface d'entrée à contact sec

L'interface d'entrée à contact sec reçoit les signaux de fermeture de contact qui permettent à l'onduleur de recevoir les commandes et de surveiller les conditions de la batterie externe :

P1—Désactivation du courant d'urgence (EPO) à distance (voir [Section 11-4](#).)

P2—Entrées de contacts secs auxiliaires (2 ensembles) (Contact d'entrée A : Broche 1,2 avec une tension de 12V CC minimum, 0,1A (valeurs nominales) ; Contact d'entrée B : Broche 3,4 avec une tension de 12V CC, minimum 0,1A (valeurs nominales) Voir [Section 11-5](#).)

P3—Température du boîtier de batterie externe 1 (Entrées du capteur de température depuis les boîtiers de batteries externes. Voir [Section 11-6](#).)

P4—Température du boîtier de batterie externe 2 (Entrées du capteur de température depuis les boîtiers de batteries externes. Voir [Section 11-6](#).)

P5—Température du boîtier de batterie externe 3 (Entrées du capteur de température depuis les boîtiers de batteries externes. Voir [Section 11-6](#).)

P6—Température du boîtier de batterie externe 4 (Entrées du capteur de température depuis les boîtiers de batteries externes. Voir [Section 11-6](#).)

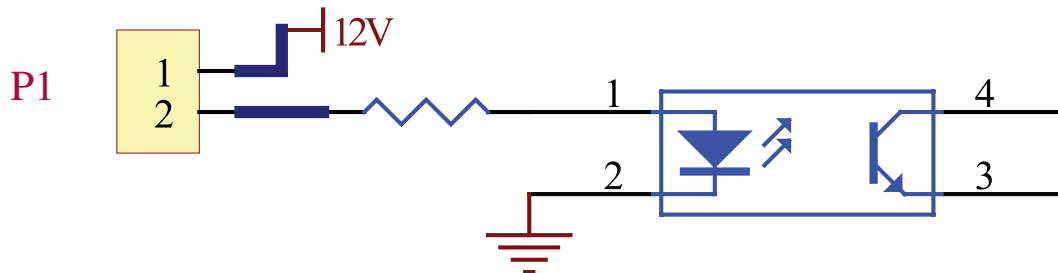
P7—Statut de la batterie externe (à utiliser avec le câble de statut de la batterie fourni avec les boîtiers de batteries externes BP480V26B ou BP480V40C.)

Remarque : N'appliquez pas de tensions aux contacts REPO ou aux contacts secs auxiliaires. Cela pourrait endommager l'onduleur. Pour le REPO, l'interrupteur doit être fermé afin de s'assurer que le courant de sortie n'atteigne pas la sortie de l'onduleur.

11 – Communications (suite)

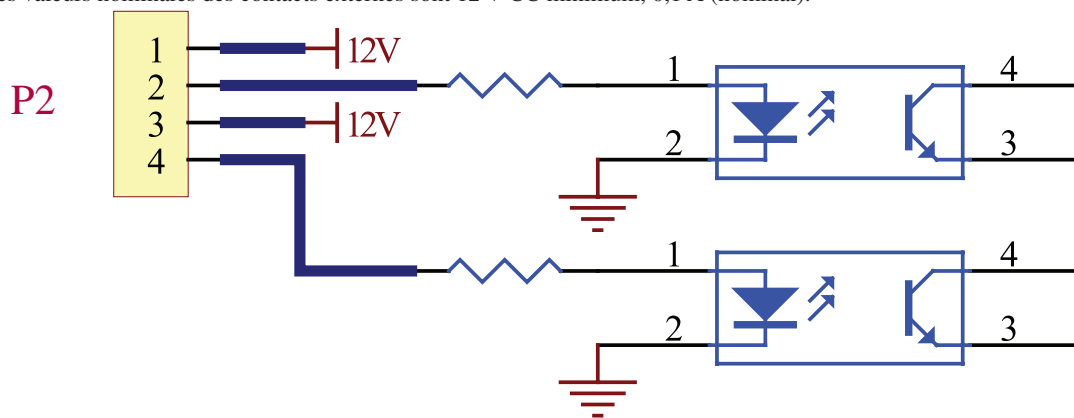
11-4 Schéma du circuit de l'interrupteur d'urgence à distance

La connexion d'entrée (P1) de l'interrupteur d'urgence à distance (EPO) vous permet de brancher votre onduleur au circuit EPO de votre établissement. Cette connexion de l'onduleur au circuit de l'EPO permet l'arrêt d'urgence et à distance de la sortie de l'onduleur. Brancher l'entrée EPO dans un commutateur à distance - fourni par l'utilisateur - en suivant le schéma de circuits ci-dessous. Ce contact est normalement ouvert. Le bouton REPO fourni par l'utilisateur doit être muni d'un dispositif de verrouillage et se trouver normalement en position fermée. Une fois ouvert, l'onduleur passe en dérivation. L'inverseur doit ensuite être redémarré en appuyant sur le bouton ON (marche) pour retourner en mode en ligne. Les valeurs nominales du contact sont 12 V CC minimum, 0,1 A (nominale).



11-5 Schéma du circuit auxiliaire d'entrée à contact sec

Les connexions d'entrée à contact sec auxiliaires (P2) permettent à l'onduleur de recevoir des signaux externes. Ces contacts sont normalement ouverts. Les valeurs nominales des contacts externes sont 12 V CC minimum, 0,1 A (nominal).



11-6 Entrées de température du boîtier de la batterie externe

Les connexions d'entrées de température du boîtier de la batterie externe (P3, P4, P5, P6) permettent à l'onduleur de recevoir des signaux d'un accessoire en option qui surveille la température des boîtiers de batterie externe. Visitez www.tripplite.com/support pour de plus amples informations.

11-7 Entrée d'état de la batterie externe

La connexion d'entrée d'état du boîtier de la batterie externe (P7) permet à l'onduleur de recevoir des signaux indiquant l'état du boîtier de la batterie externe grâce à un câble en option. Broche 1 = +12 V; Broche 2 = câble de détection connecté; Broche 3 = État du disjoncteur du boîtier de la batterie (signal actif = disjoncteur actif; signal inactif = disjoncteur inactif); Broche 4 = réservé; Broche 5 = Tension de référence. Visitez www.tripplite.com/support pour de plus amples informations.

11-8 Détail de l'interface de sortie à contact sec

L'onduleur possède six connexions de sortie à contact sec. Ces contacts peuvent être normalement ouverts ou fermés.

Messages par défaut

Contact	Message	Description
Broche 1-2	Charge sur inverseur	L'onduleur fonctionne normalement.
Broche 3-4	Charge sur dérivation automatique	L'onduleur est en mode de dérivation.
Broche 5-6	Défaillance de l'alimentation secteur - charge sur inverseur	L'alimentation provenant des services publics est (panne) ou anormale. L'onduleur est en mode batterie de secours.
Broche 7-8	Batterie faible	L'onduleur est en mode batterie de secours et le voltage de la batterie est inférieur à 220 V.
Broche 9-10	Entrée de dérivation anormale	L'entrée de dérivation est anormale (fréquence/phase).
Broche 11-12	Échec du test batterie	La tension de la batterie est inférieure à la valeur de référence.

Messages facultatifs

Message	Description
Échec de communication interne	La communication avec un des éléments internes n'est pas normale.
Échec de communication externe parallèle	Dans une configuration en redondance parallèle, la communication parallèle n'est pas normale.
Avertissement de surcharge à la sortie - Arrêt	La charge dépasse la capacité de l'onduleur.
Défaillance du module d'alimentation - arrêt	L'onduleur s'est arrêté à cause d'une défaillance interne du module d'alimentation.
Avertissement du module d'alimentation	Un des modules d'alimentation interne présente une erreur, mais l'onduleur peut encore fonctionner normalement.
EPO activé	La sortie de l'onduleur est coupée par l'interrupteur d'urgence (EPO).
Charge sur dérivation manuelle	L'onduleur est en mode dérivation manuelle.
Avertissement de température du boîtier de batterie - Arrêt	La température du boîtier de la batterie externe est trop élevée.
Tension de sortie anormale	La tension de sortie de l'onduleur est trop élevée ou trop faible.
Remplacer la batterie	D'après les données du « BAT DATE SETTING », la batterie de l'onduleur doit être remplacée au plus tôt. (Voir la Section 10-5-3 pour plus d'information.)
Avertissement de température de dérivation - Arrêt	La température du commutateur de transfert statique de dérivation est trop élevée.
Défaillance de mise à la terre de la batterie	La batterie présente une erreur de mise à la terre.
Défaillance du commutateur statique de dérivation	Le commutateur de transfert statique de dérivation est anormal.

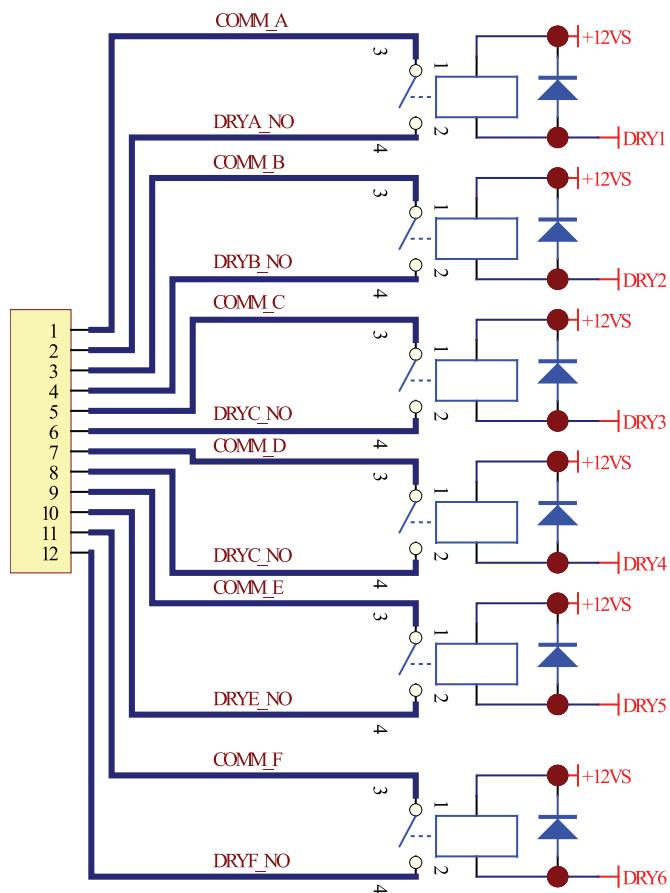
Remarque : Si vous désirez que les messages facultatifs soient activés, communiquer avec Tripp Lite.

11 – Communications (suite)

11-9 Schéma du circuit de sortie à contact sec

L'onduleur possède six connexions de sortie à contact sec. Ces contacts peuvent être normalement ouverts ou fermés. Les valeurs nominales des contacts sont 250 V CA/28 V CC; 8 A.

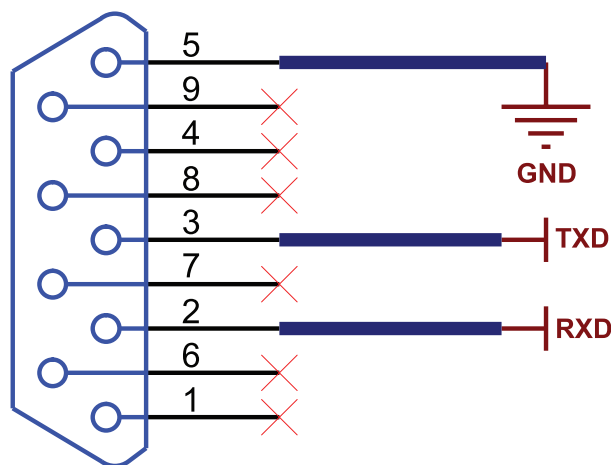
INTERFACE
DE SORTIE À
CONTACT SEC



11-10 Schéma du circuit du port série RS 232

Le port série RS 232 DB9 connecte l'onduleur à un poste de travail ou à un serveur (câble inclus). En communiquant avec l'onduleur via ce port, le logiciel de gestion d'onduleur PowerAlert de Tripp Lite (inclus) peut surveiller et contrôler l'onduleur. PowerAlert fait aussi office de mandataire SNMP, permettant que l'onduleur apparaisse à titre d'unité SNMP traitable sur le réseau.

Les signaux et opérations du port RS 232 incluent : Niveau de charge, état de la batterie, niveau de la batterie, mode fonctionnel, tension CA à l'entrée, tension CA tension à la sortie, fréquence CA à l'entrée, température interne, régler le délai d'attente avant l'arrêt, activer/désactiver l'alarme et l'arrêt à distance.



Matériel

Vitesse (Bauds) : 2400 BPS
Longueur des données : 8 bits
Bit d'arrêt : 1 bit
Parité : AUCUNE

Affectation des broches

Broche 2 : TXD (Transmettre les données)
Broche 3 : RXD (Recevoir les données)
Broche 5 : GND (Fil de terre de signalisation)

11-11 Port de configuration parallèle

Le port de configuration parallèle permet au onduleur d'être raccordé à un autre onduleur de capacité et de type identiques à des fins de configuration parallèle (1+1) pour une capacité ou une tolérance aux pannes accrue. **Attention : Utilisez uniquement le câble de configuration parallèle inclus avec le onduleur. Tenter d'utiliser un câble incompatible pourrait endommager les onduleurs et créer un risque sérieux de blessures personnelles et de dommages matériels.**

12 – Spécifications

12-1 Spécifications techniques de l'onduleur

		Modèle (Capacité)	SU20KX (20kVA/16kW)	SU40KX (40kVA/32kW)	SU60KX (60kVA/48kW)	SU80KX (80kVA/64kW)	
Entrée	Tension à l'entrée		220/380 V, 230/400 V ou 240/415 V CA, 3Ø, 4 fils + prise de terre, raccord en étoile				
	Régulation de tension		-25 % ~ +20 %				
	Distorsion harmonique		< 4 % (Pleine charge)				
	PFC (Pleine charge)		> 0,99				
	Fréquence		50 / 60 Hz				
	Tolérance de fréquence		45 ~ 65 Hz				
Sortie	Tension de sortie		220/380 V, 230/400 V ou 240/415 V CA, 3Ø, 4 fils + prise de terre, raccord en étoile				
	Fréquence de sortie		50 / 60 Hz				
	Distorsion harmonique totale (Charge linéaire)		≤ 3 %				
	Régulation de tension	Statique	± 1 %				
	Régulation de fréquence	Dynamique		± 7 % (10 % ~ 90 % charge linéaire)			
		Oscillateur interne		± 0,05 Hz			
		Synchronisé		± 5%			
Surcharge		≤ 125 % : 10 minutes; ≤ 150 % : 1 minute					
Avertissement sonore	Batterie de secours		Intermittent				
	Onduleur anormal		Continu				
Affichage	Témoin DEL		État de l'onduleur Normal • Dérivation • Batterie de secours • Faute				
	ACL		Entrée/sortie • Dérivation • Inverseur • Fréquence • Chargement Tension de la batterie • Messages d'anormalité de l'onduleur avec renseignements d'autodiagnostic.				
Interface	Standard		RS 232, à contact sec				
	En option		SNMPWEBCARD				
Autres	Redondance parallèle		OUI (1+1, pour 2 onduleurs du même type et de la même capacité seulement)				
	EPO		Standard (local et à distance)				
	Journal d'évènements SRAM		500 enregistrements				
	Configuration des paramètres		OUI				
	Mode secours immédiat		En option				
	Compensation thermique de la batterie		En option				
	Démarrage à froid de la batterie		Standard				
Sur l'ensemble	Efficacité	Normale	94 %				
		ECO	97 %				
	Temps de transfert		0 ms				
	Température		0 °C ~ 40 °C				
	Humidité (sans condensation)		90 %				
	Bruit (1 m)		65 dBA	68 dBA	70 dBA	70 dBA	
	Dimensions (Module d'alimentation)	Largeur	520 mm				
		Profondeur	850 mm				
		Hauteur	1165 mm				
	Poids (module d'alimentation)		267 kg*	412 kg*	210 kg	244 kg	

* Avec batteries internes.

12-2 Tableau de charge sur le plancher de l'onduleur

Modèle	SU20KX	SU40KX	SU60KX	SU80KX
Poids	267 kg	412 kg	210 kg	244 kg
Charge sur le plancher	600 kg/m ²	927 kg/m ²	475 kg/m ²	552 kg/m ²

12-3 tableau de charge sur le plancher du bloc-batterie

Modelo	BP480V26B (40 batteries 12V; 26 Ah chacune)	BP480V40C (40 batteries 12V; 26 Ah chacune)
Poids	470 kg	700 kg
Charge sur le plancher	1064 kg/m ²	1575 kg/m ²

13 – Entreposage et entretien

Entreposage

L'onduleur doit être entreposé dans un environnement propre et sécuritaire où la température ne dépasse pas 40 °C et l'humidité relative ne dépasse pas 90 % (sans condensation). Conserver l'onduleur dans son contenant d'expédition d'origine dans la mesure du possible. Si l'installation est faite plus de 6 mois après la livraison de l'onduleur, recharger les batteries pendant au moins 24 heures avant de l'utiliser. Il n'est pas recommandé de recourir à l'onduleur pour fournir une alimentation de secours aux appareils qui y sont branchés tant que les batteries ne sont pas pleinement chargées. *Remarque : Si l'onduleur reste éteint pendant une durée de temps prolongée, il devrait être activé périodiquement afin que les batteries se rechargent. L'onduleur doit être activé et les batteries doivent être rechargées pendant une période ininterrompue d'au moins 24 heures tous les 3 mois. L'omission de recharger périodiquement les batteries peut causer des dommages irréversibles à la batterie.*

Service

L'onduleur est couvert par la garantie limitée décrite dans ce manuel. Des programmes de service en option incluant la visite des lieux, la mise en route, l'entretien préventif et la garantie à exécuter sur les lieux (2, 3 ou 4 ans) sont également disponibles. Visitez www.tripplite.com/support pour de plus amples informations.

14 – Garantie

Garantie limitée

Le vendeur garantit ce produit, à condition qu'il soit utilisé conformément à toutes les instructions applicables, comme étant exempt de défauts initiaux tant au niveau du matériel que de la main d'œuvre pendant une période de deux (2) ans (à l'exception des États-Unis, du Canada et du Mexique où cette période est d'un (1) an) à partir de la date d'achat initial. Si le produit s'avère défectueux sur le plan matériel ou de la main-d'œuvre durant cette période, le vendeur le réparera ou le remplacera, à sa seule discrétion. Le service couvert par cette garantie comprend les pièces et la main d'œuvre effectuée au centre de service de Tripp Lite. Des programmes de garantie à exécuter sur les lieux sont disponibles par le biais de partenaires de services autorisés de Tripp Lite (dans la plupart des régions). Veuillez communiquer avec le service à la clientèle de Tripp Lite au +1-773-869-1234 pour plus de détails. Les clients internationaux doivent communiquer avec le service d'assistance de Tripp Lite à l'adresse intlservice@tripplite.com.

CETTE GARANTIE NE S'APPLIQUE PAS À L'USURE NORMALE OU AUX DOMMAGES DUS À UN ACCIDENT, UNE MAUVAISE UTILISATION, UN ABUS OU UNE NÉGLIGENCE. LE VENDEUR N'ACCORDE AUCUNE GARANTIE EXPRESSE AUTRE QUE CELLE CONTENUE DANS LES DISPOSITIONS CI-DESSUS SAUF DISPOSITIONS CONTRAIRES PRÉVUES PAR LA LOI, TOUTES LES GARANTIES IMPLICITES, Y COMPRIS LES GARANTIES DE QUALITÉ COMMERCIALE ET D'ADAPTATION À UN USAGE PARTICULIER, SONT LIMITÉES EN DURÉE À LA PÉRIODE DE GARANTIE PRÉCITÉE. CETTE GARANTIE EXCLUT EXPRESSÉMENT LES DOMMAGES ACCESSOIRES ET INDIRECTS. (Certains états n'autorisent pas les restrictions sur la durée d'une garantie implicite, et certains autres n'autorisent pas l'exclusion ni la restriction des dommages accessoires ou indirects. Par conséquent, ces restrictions ou exclusions pourraient ne pas s'appliquer à votre cas. Cette garantie vous donne des droits particuliers et vous pourriez avoir d'autres droits qui varient d'une juridiction à l'autre).

Tripp Lite; 1111 W. 35th Street; Chicago IL 60609; États-Unis

AVERTISSEMENT : L'utilisateur individuel doit prendre soin de déterminer, avant l'usage, si cet appareil est convenable, adéquat ou sûr vis-à-vis de l'usage auquel il est destiné. Dans la mesure où les applications individuelles sont sujettes à de grandes variations, le fabricant ne fait aucune représentation ou garantie à l'effet que ces appareils soient convenables ou adaptables à quelque application spécifique.

Numéros d'identification concernant l'application des règles

À des fins de certification et d'identification de conformité aux règlements, votre produit Tripp Lite a reçu un numéro de série unique. Ce numéro se retrouve sur la plaque signalétique du produit, ainsi que toutes les inscriptions et informations d'approbation requises. Toujours se référer au numéro de série quand vous demandez des renseignements sur la conformité de ce produit. Le numéro de série ne doit pas être confondu avec le nom de marque et le numéro de modèle du produit.



L'information de conformité WEEE pour les clients de Tripp Lite et recycleurs (Union européenne)

Sous les directives et règlements de déchet d'équipements électrique et électronique (Waste Electrical and Electronic Equipment, WEEE), lorsque les clients achètent le matériel électrique et électronique neuf de Tripp Lite ils sont autorisés à :

- Envoyer le vieux matériel pour le recyclage sur une base de un-contre-un et en nature (ceci varie selon le pays)
- Renvoyer le matériel neuf pour recyclage quand ceci devient éventuellement un rebut

Tripp Lite a instauré une politique d'amélioration continue. Les spécifications sont sujettes à changement sans préavis.

Note sur l'étiquetage

Ces caractères spéciaux sont utilisés sur l'étiquette :

V~	CA Voltage
V=	Voltage CC
Ø	Phase
⊕	Mise à la terre



1111 W. 35th Street, Chicago, IL 60609 USA • www.tripplite.com

Руководство пользователя

3-фазные системы бесперебойного питания SmartOnline™

Модели: SU20KX, SU40KX, SU60KX, SU80KX

Вход/Выход: 220/380В, 230/400В либо 240/415В AC, 3ф, 4-жилы + PE

Не подходит для передвижных систем



1111 W. 35th Street, Chicago, IL 60609 USA • www.tripplite.com

© 2013 Tripp Lite. Все торговые марки являются собственностью владельцев.

1	ведение	183
2	Важные инструкции по технике безопасности	184
3	Элементы панели управления	186
4	Элементы передней и задней панели	187
5	Монтаж электрического шкафа	189
5-1	Подготовка к монтажу	189
5-2	Распаковка	189
5-3	Размещение	190
6	Схема соединений внутренней батареи	191
<i>(только для моделей SU20KX и SU40KX)</i>		
6-1	Схема соединений внутренней батареи	191
6-2	Процедура выполнения соединений внутренней батареи	193
7	Схема соединений	196
7-1	Предупреждения по выполнению проводки	196
7-2	Подготовка к выполнению проводки	196
7-3	Схема клеммной колодки СБП	197
7-4	Схема соединений корпуса внешней батареи	197
7-5	Данные по электрическим и кабельным подключениям	198
7-6	Схема соединений корпуса внешней батареи	199
7-7	Подключение входа/выхода переменного тока (одинарная СБП)	200
7-8	Подключение входа/выхода переменного тока (параллельные СБП - один вход)	201
7-9	Подключение входа/выхода переменного тока (параллельные СБП - два входа)	201
8	Рабочие режимы	202
8-1	Интерактивный (нормальный) режим (одинарная СБП)	202
8-2	Режим работы резервной батареи (одинарная СБП)	202
8-3	Автоматический байпасный режим (одинарная СБП)	202
8-4	Ручной байпасный режим (одинарная СБП)	202
8-5	Интерактивный (нормальный) режим (параллельная СБП)	203
8-6	Режим работы резервной батареи (параллельные СБП)	203
8-7	Автоматический байпасный режим (параллельные СБП)	203
8-8	Ручной байпасный режим (параллельные СБП)	204
8-9	Режим работы горячего резерва (параллельные СБП)	204
9	Запуск, автоматическое выключение и работа в байпасном режиме	205
9-1	Схемы панели управления и выключателей	205
9-2	Предварительная проверка (одинарная СБП)	205
9-3	Процедура стандартного запуска (одинарная СБП)	205
9-4	Процедура стандартного запуска (одинарная СБП)	206
9-5	Ручной байпасный режим (одинарная СБП)	207
9-6	Предварительная проверка (одинарная СБП)	207
9-7	Предварительная проверка (параллельные СБП)	208
9-8	Процедура стандартного запуска (параллельные СБП)	209
9-9	Процедура автоматического выключения системы (параллельные СБП)	210
9-10	Ручной байпасный режим (параллельные СБП)	211
9-11	Переключение из ручного байпасного режима в нормальный режим работы (параллельные СБП)	212

10	Дисплей и конфигурация	213
10-1	Пульт управления	213
10-2	Иерархическая таблица	213
10-3	Сообщения, отображаемые по умолчанию	214
10-3-1	Отображение статуса	214
10-4	Главное меню	217
10-5	Начальная установка ИБП	219
10-5-1	Начальная установка обходной цепи	220
10-5-2	Начальная установка выходных параметров	221
10-5-3	Начальная установка батареи	223
10-5-4	Начальная установка зарядного устройства	226
10-5-5	Начальная установка параллельного соединения	227
10-5-6	Начальная установка параметров контроля и тестирования	228
10-5-7	Начальная установка локальных параметров	231
10-6	Техническое обслуживание	233
11	Соединение	235
11-1	Подключения системы передачи	235
11-2	Слот SNMPWEBCARD	235
11-3	Интерфейс входного соединения	235
11-4	Схема соединения удаленного аварийного отключения питания	236
11-5	Вспомогательная схема входящего соединения	236
11-6	Входное соединение внешнего батарейного отсека	236
11-7	Статус внешней батареи	236
11-8	Элемент интерфейса для выхода сигналов с сухого магнитоуправляемого контакта	237
11-9	Схема запасной цепи	238
11-10	Порт RS232 ввода-вывода соединительной схемы	238
11-11	Порт параллельной конфигурации	238
12	Спецификации	239
12-1	Технические характеристики СБП	239
12-2	Таблица приложения нагрузки СБП на пол	239
12-3	Таблица приложения нагрузки батарейного блока на пол	239
13	Хранение и сервисное обслуживание системы	240
14	Гарантийные обязательства	240
English		1
Español		61
Français		121

Интерактивная система бесперебойного питания на 3 фазы «Трип Лайт/Tripp Lite» компании «Смарт» (Модели SU20KX, SU40KX, SU60KX and SU80KX) идеальна для поддержки и защиты центров обработки данных, телекоммуникационных систем (VoIP-телефонии на базе IP), сетей, промышленных агрегатов, систем безопасности/аварийных систем и т.д.

Улучшенные характеристики:

- Интерактивное двойное преобразование тока по технологии IGBT
- Низкий THD (суммарный коэффициент гармоник) входного тока позволяет выполнять калибровку генератора один к одному для максимального КПД и снижении себестоимости системы.
- Резервирование силового блока N+1 (SU40KX, SU60KX и SU80KX)
- Встроенные параллельные блоки либо горячий резерв (1+1) с возможностью увеличения мощности либо для отказоустойчивости системы.
- Мощность до 80 кВА при компактных габаритах и до 160 кВА при параллельном подключении.
- Высокий коэффициент выходной мощности и КПД при низких тепловых потерях и низком уровне шума
- Долговечная система высокой готовности элементарной конструкции с простым техническим обслуживанием
- Резервные дополнительные силовые контуры и цепи управления
- Конструктивное решение двойного входа с отдельным выпрямителем и обводной линией
- Все модели поддерживают подключение внешних батарейных корпусов для длительной работы резервной батареи
- ЖК экран состояния с высоким разрешением упрощает работу с системой, снабжая оператора подробными рабочими данными, включая системные блок-схемы



СОХРАНИТЕ ДАННЫЕ ИНСТРУКЦИИ!

Все разделы данного руководства содержат инструкции и предупреждения, которые необходимо следовать во время монтажа и эксплуатации систем бесперебойного питания, описанных в данном руководстве. Внимательно прочитайте все инструкции до начала перемещения, монтажа либо эксплуатации систем бесперебойного питания (СБП), описанных в данном руководстве. Несоблюдение данных инструкций может аннулировать гарантийные обязательства производителя, а также привести к повреждениям имущества либо персонала.

Требования к размещению системы

- СБП следует устанавливать в помещении с контролем рабочих условий, беречь от действия влаги и прямых солнечных лучей, соблюдать температурный режим, не допускать хранения горючих жидкостей и газов, скопления токопроводящих веществ, пыли вблизи установки.
- Устанавливать СБП следует на ровной, прочной поверхности.
- Система имеет большой вес, при её передвижении либо поднятии следует соблюдать осторожность.
- При эксплуатации системы бесперебойного питания температура в помещении должна находиться в пределах от 32° F до 104° F (0° C и 40° C соответственно). Для наилучших показателей поддерживайте температуру в помещении в пределах от 62° F до 84° F (17° C и 29° C соответственно).
- Для вентиляции системы следует оставить необходимые зазоры со всех сторон корпуса. Не следует блокировать, закрывать внешние вентиляционные отверстия корпуса, которые должны быть свободны от посторонних предметов.
- Не следует помещать какие-либо предметы на установку, особенно емкости, содержащие жидкости.
- При монтаже установки её передняя либо задняя панели не должны находиться лицевой стороной, направленной вниз (под любым углом). Подобный монтаж создает серьезные препятствия для внутреннего охлаждения установки, повреждения которой при таких условиях аннулируют гарантийные обязательства производителя.
- Не следует устанавливать СБП вблизи средств с ЗУ на магнитном носителе, так как подобное расположение может привести к случаям нарушения целостности данных. Все записанные ЗУ на магнитном носителе должны храниться на расстоянии в 60 см (24 дюйма) от СБП.
- Не следует устанавливать СБП в стойку/на стеллаж с каким-либо оборудованием. Подобные попытки могут привести к необратимым повреждениям системы, создавая потенциальную угрозу серьезного травмирования персонала.
- Роликовые опоры предназначены для небольших коррекций положения установки исключительно на участке окончательного монтажа. Роликовые опоры не предназначены для передвижения СБП на большие расстояния.
- Роликовые опоры не предназначены для длительной поддержки системы бесперебойного питания после выполнения её окончательного монтажа. Для длительной поддержки системы в процессе эксплуатации используйте штанги.
- Передвигайте СБП за переднюю либо заднюю панель, а не за боковые стороны.
- Не следует распаковывать либо передвигать СБП без участия обслуживающего персонала.

Предупреждения по подключениям

- **Источник питания для системы ИБП согласно паспортной табличке оборудования должен быть трехфазным. Также соответствующим образом должны быть выполнены его заземление и монтаж проводки в соответствии со всеми применимыми национальными и местными стандартами прокладки электрических проводов, кодами и регламентами.**
- СБП является установкой с высоковольтным напряжением, электрический разряд которой потенциально опасен и может вызвать травмирование персонала с летальным исходом.
- СБП имеет свой источник энергии (внутреннюю и/или внешнюю батарею). Выходные клеммы могут находиться под напряжением, даже если система не подключена к источнику переменного тока.
- Если СБП питается от двигатель-генератора переменного тока, то выход с генератора должен быть качественным, чистым от гармоник, отфильтрованным с помощью ЧПУ типа CNC.
- Использование подобного оборудования для питания важнейших прикладных систем, сбой которых может вызвать сбой оборудования, обеспечивающего функциональность системы, либо повлиять на безопасность либо эффективность системы, не рекомендуется. Не следует использовать данное оборудование при наличии в воздухе горючих смесей с кислородом либо закисью азота.
- СБП спроектирована для питания современного компьютерного оборудования и периферийных устройств в нему. Не следует использовать СБП для питания чистой индуктивной либо ёмкостной нагрузки.
- Вводы и выходы электрической проводки должны выполняться квалифицированными электриками, прошедшими соответствующее обучение.
- Из-за чрезмерной утечки тока, подключение заземления необходимо выполнить до подключения источника переменного тока.
- До начала каких-либо работ с электрическим контуром СБП следует изолировать. В проводку следует включить размыкающее устройство с простым доступом к нему. Разъединительное устройство должно разъединять все провода линии одновременно в открытом положении.

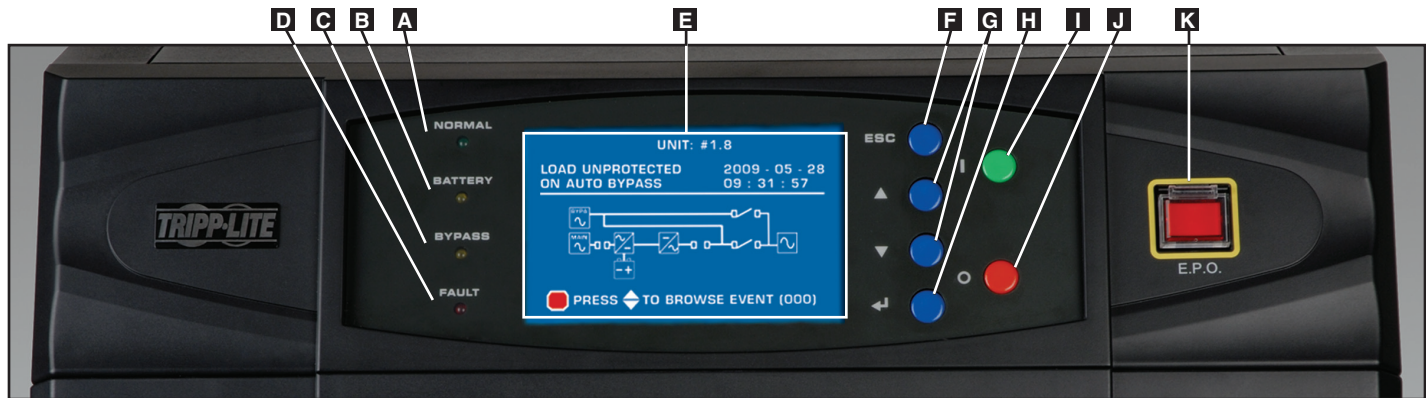
Предупреждения по батарее

- Система бесперебойного питания не требует текущего технического обслуживания. Внутри установки нет компонентов, которые могут обслуживаться пользователем. Панели могут открываться только квалифицированным обслуживающим техником по какой-либо причине.
- Батареи потенциально опасны из-за риска получения электрического удара и ожогов от высоковольтного тока. Подключение либо замена батареи должны выполняться только квалифицированным обслуживающим персоналом, соблюдая соответствующие меры предосторожности. До выполнения подключения/отключения внутренних батарей выключите систему бесперебойного питания. Пользуйтесь инструментом с заизолированными ручками. Не открывайте батареи. Не закорачивайте и не шунтируйте полюса батареи с помощью какого-либо предмета.
- Замена батарей возможна только на эквивалентные батареи "Трип Лайт" от производителя. Не запускайте СБП без батарей.
- Батареи могут быть отправлены на переработку. Требования к утилизации следует смотреть в правилах, действующих на местах.
- Не следует сжигать, снимать изоляционное покрытие с батареи либо спрессовывать её.
- Предохранители на батарее должны заменяться только квалифицированным обслуживающим персоналом. Перегоревшие предохранители должны заменяться типовыми предохранителями с идентичным номером.
- При подключенной батарее система бесперебойного питания является источником высоковольтного тока, удар которого смертелен. Обслуживание и ремонт системы должен выполняться квалифицированными электриками, прошедшими соответствующее обучение, при этом СБП должна быть выключена либо переведена в байпасный (обходной) режим. До начала выполнения каких-либо работ по обслуживанию системы отключите внутренние батареи (если батареи установлены), выключив переключатель внутренней батареи, и снимите предохранитель/предохранители с батареи. Отключите внешние батареи, выключив переключатель на корпусе внешней батареи (если батареи установлены), и отсоединив кабели подключения внешней батареи к СБП.
- Не следует подключать либо отключать батареи в случае, если СБП работает от батареи либо в случае, если установка не находится в байпасном режиме.
- Не снимайте пластиковые рукава изоляции внутренних батарей.
- Замена батарей возможна только на эквивалентные батареи "Трип Лайт" от производителя.
- До выполнения подключения шкафа с внешней батареей к системе бесперебойного питания, прочитайте документацию к блоку внешней батареи. Используйте только электрические шкафы с внешней батареей, которые были одобрены компанией «Трип Лайт».
- Если СБП в течение длительного времени выключена, то её следует периодически включать для подзарядки батарей. СБП должна включаться для непрерывной подзарядки батарей в течение 24 часов каждые 3 месяца. Невыполнение периодической подзарядки батарей может привести к необратимым повреждениям в них.

Предупреждения по проводке

- См. **Раздел 7-1** для предупреждений по проводке

3 - Элементы панели управления



- A ИНДИКАТОР “NORMAL”/НОРМАЛЬНОЙ РАБОТЫ:** Индикатор - зелёная лампочка указывает на то, что СБП находится в интерактивном (нормальном) режиме. В системе присутствует питание от первичного источника переменного тока, который работает в соответствии со стандартными параметрами.
- B ИНДИКАТОР “BATTERY”/БАТАРЕЯ:** Темно-желтый световой сигнал загорается при работе СБП в режиме использования резервной батареи, которые разряжаются для оборудования. Включается звуковой сигнал тревоги.
- C ИНДИКАТОР “BYPASS”/БАЙПАСНЫЙ РЕЖИМ:** Данный темно-жёлтый сигнал загорается при СБП в байпасном режиме (с автоматическим либо ручным управлением). Питание от резервных батарей подключенного оборудования в данном режиме СБП недоступно, работа подключенных нагрузок поддерживается параллельным (байпасным) резервным источником питания.
- D ИНДИКАТОР “FAULT”/СБОЙ СИСТЕМЫ:** Данный красный индикатор загорается в случае сбоя в работе СБП либо источника входной мощности. На ЖК-дисплей выводится информация по диагностике системы.
- E ЖК-экран состояния:** На ЖК-экран состояния системы с подсветкой выводится текст и графические символы: информация по рабочему состоянию СБП и диагностические данные. *Примечание: Подсветка гаснет, если экран не активируется в течение 10 минут. Подсветка экрана возвращается нажатием кнопки ON либо одной из кнопок прокрутки (вверх-вниз).*
- F КНОПКА “ESC” (Выход):** Чтобы вернуться на предыдущую страницу либо в предыдущее меню, нажмите данную кнопку.
- G КНОПКИ ПРОКРУТКИ (▲-▼):** Нажатие данных кнопок двигает курсор вверх-вниз, выполняется перемещение в меню и шаблонах панели управления. Данные кнопки также используются для ввода данных в некоторые шаблоны.
- H КНОПКА «ENTER» (←):** Нажмите данную кнопку, чтобы выбрать элемент меню либо подтвердить изменение настройки.
- I КНОПКА «ON»:** Нажмите и удерживайте данную кнопку в течение 3 секунд для включения преобразователя в системе бесперебойного питания.
- J КНОПКА «OFF»:** Нажмите и удерживайте данную кнопку в течение 3 секунд для выключения преобразователя в СБП. Если СБП находится в интерактивном (нормальном) режиме, она автоматически перейдет в байпасный режим. *Примечание: Переключение преобразователя в положение «выключено» не останавливает стадию преобразователя ИБП и поэтому подключенная батарея продолжает заряжаться.*
- Примечание: После выключения преобразователя, в случае если автоматический выключатель батареи или главный входной автоматический выключатель открыт и остается в открытом положении в течение длительного периода времени, батареи необходимо периодически подзаряжать. Как минимум, батареи должны заряжаться непрерывно в течение 24 часов каждые 3 месяца для обеспечения наиболее длительного срока эксплуатации. Если не подзаряжать батареи, это может привести к их необратимым повреждениям.*
- K КНОПКА “EPO” (ВЫКЛЮЧЕНИЕ АВАРИЙНОГО ИСТОЧНИКА ПИТАНИЯ):** Нажмите данную кнопку для отключения выхода с СБП, а также для блокировки выхода с байпасной линии.

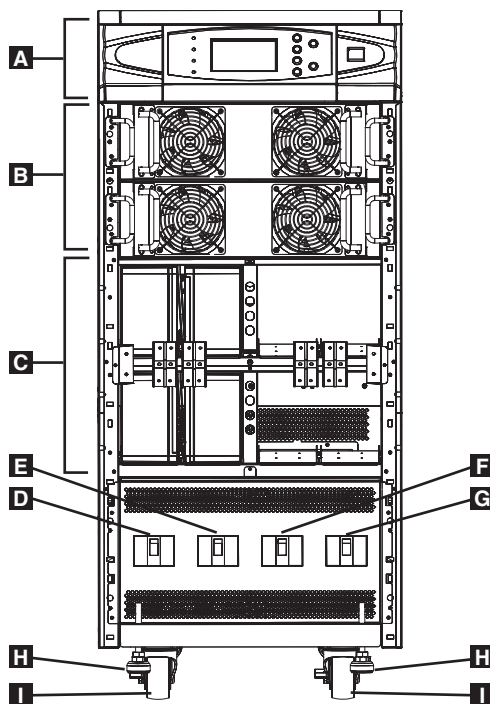
Если СБП находится в режиме работы резервной батареи при нажатии кнопки EPO:

- Главный и параллельный выход отключаются, срабатывает звуковой сигнал тревоги, вентиляторы прекращают работать через 1 минуту, схема цепи управления остается активной.
- Повторное нажатие кнопки EPO выключает систему бесперебойного питания полностью, включая цепь управления и сигнализацию. Для повторного запуска СБП нажмите кнопку ON и удерживайте её в течение 3 секунд.

Если СБП находится в интерактивном (нормальном) режиме работы при нажатии кнопки EPO:

- Главный и параллельный выход отключаются, срабатывает звуковой сигнал тревоги, вентиляторы прекращают работать через 1 минуту, схема цепи управления остается активной.
- Повторное нажатие кнопки EPO выключает систему сигнализации и переводит СБП в автоматический байпасный режим. Для возврата СБП в интерактивный (нормальный) нажмите кнопку ON и удерживайте её в течение 3 секунд.

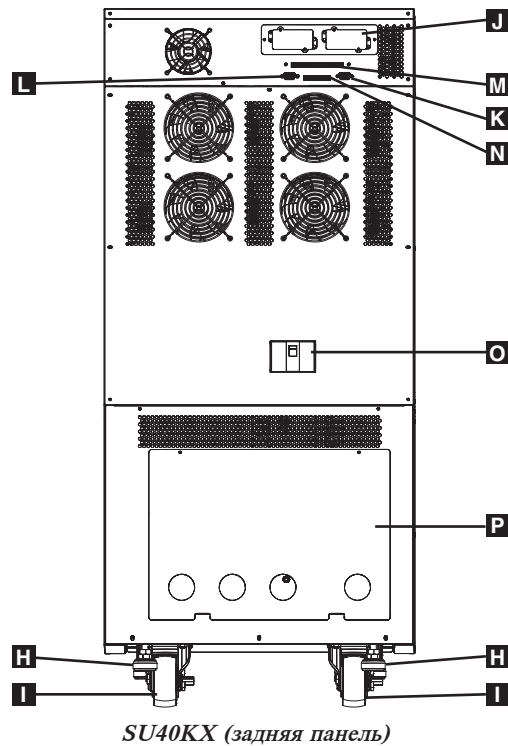
См. **Раздел 10 - Вывод на дисплее при конфигурировании системы** для более подробной информации о меню панели управления и состояниях дисплея.



SU40KX (лицевая панель)

Примечание: Схема некоторых моделей может иметь отличия. Блок показан со снятыми лицевыми гнездами/держателями.

- A** **Панель управления:** Панель управления позволяет оператору контролировать и управлять СБП. См. [Раздел 3 – Элемент панели управления](#) для более подробной информации.
- B** **Внутренние силовые блоки:** Внутрикорпусные силовые блоки на 20 КВ-А можно заменить без уменьшения мощности на подключенные нагрузки. Количество внутренних силовых блоков варьируется в зависимости от модели. Внутренние силовые блоки имеют резерв N+1 в моделях SU40KX, SU60KX и SU80KX.
- C** **Отделение для внутреннего батарейного источника питания (только для моделей SU20KX и SU40KX):** Внутренние батареи должны подключаться только квалифицированным электриком. См. [Раздел 6 – Подключение внутренней батареи](#) для более подробной информации.
- D** **Коммутационный переключатель выхода (Q4):** Контролирует выходную мощность переменного тока.
- E** **Коммутационный переключатель в байпасный режим с ручным управлением (Q3):** Контролирует входную мощность переменного тока на СБП во время работы в байпасном режиме с ручным управлением.
- F** **Коммутационный переключатель входа в байпасном режиме (Q2):** Контролирует входную мощность переменного тока на СБП во время работы в автоматическом байпасном режиме.
- G** **Главный коммутационный переключатель входа (Q1):** Контролирует входную мощность переменного тока на СБП во время работы в интерактивном (нормальном) режиме.
- H** **Штанги:** Штанги предназначены для длительной поддержки системы бесперебойного питания.
- I** **Роликовые опоры:** Роликовые опоры предназначены для небольших коррекций положения установки исключительно на участке монтажа, они не предназначены для передвижения СБП на большие расстояния. Роликовые опоры не предназначены для длительной поддержки системы бесперебойного питания после её окончательного монтажа. Для длительной поддержки системы в процессе эксплуатации используйте штанги.



SU40KX (задняя панель)

Примечание: Схема некоторых моделей может иметь отличия. Блок показан со снятыми лицевыми гнездами/держателями.

- H Штанги:** Штанги предназначены для длительной поддержки системы бесперебойного питания.
- I Роликовые опоры:** Роликовые опоры предназначены для небольших коррекций положения установки исключительно на участке монтажа, они не предназначены для передвижения СБП на большие расстояния. Роликовые опоры не предназначены для длительной поддержки системы бесперебойного питания после её окончательного монтажа. Для длительной поддержки системы в процессе эксплуатации используйте штанги.
- J Гнездо для подключения вспомогательного оборудования:** Снимите панель для установки SNMPWEBCARD (карты протокола сетевого управления) от «Трип Лайт». Карта SNMPWEBCARD обеспечивает интерфейс сети Ethernet для системы бесперебойного питания и предоставляет возможность дистанционного управления и контроля через протокол SNMP либо Telnet либо веб-браузер. Для получения более подробной информации о вспомогательном устройстве SNMPWEBCARD посетите страницу www.tripplite.com.
- K Порт системы последовательной передачи RS-232:** Порт DB9 обеспечивает подключения СБП к совместимым рабочим станциям либо серверам, предоставляя возможность автоматического выключения во время аварий в системе энергоснабжения, а также контроля рабочих условий и электропитания системы.
- L Порт параллельной конфигурации:** Порт DB9 обеспечивает подключения СБП к другой системе бесперебойного питания идентичного типа и мощности для использования в системах с параллельным резервированием (1+1). См. [Раздел 7 - Схема соединений](#) и [Раздел 8 - Рабочие режимы системы](#) для более подробной информации.
- M Интерфейс для входа сигналов с сухого магнитоуправляемого контакта:** Данный интерфейс получает сигналы с сухого магнитоуправляемого контакта, что позволяет СБП получать команды и контролировать условия работы внешних батарей. См. [Раздел 11 - Система передачи](#) для более подробной информации.
- N Интерфейс для выхода сигналов с сухого магнитоуправляемого контакта:** Данный интерфейс позволяет СБП рассылать данные с помощью сигналов с сухого магнитоуправляемого контакта. См. [Раздел 11 - Система передачи](#) для более подробной информации.
- O Автоматический переключатель внешней батареи (Q5) (только для моделей SU20KX и SU40KX):** Контролирует входную/выходную мощность внутренних батарей системы бесперебойного питания.
- P Изоляция клеммной колодки:** Снимите изоляцию клеммной колодки для доступа к силовым выводам, байпасным выводам, корпусу внешней батареи, клеммам подключения выхода и заземления. Провода в изоляции клеммной колодки проходят через кольцевые выталкиватели. См. [Раздел 7 - Схема соединений](#) для более подробной информации, включая подробную схему клеммной колодки.

5 - Монтаж электрического шкафа



Прочтите **Раздел 2 – Важные инструкции по технике безопасности** до начала монтажа

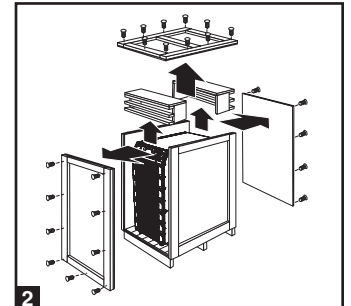
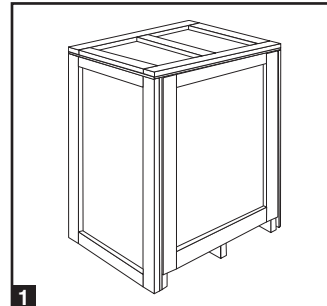


5-1 Подготовка к монтажу

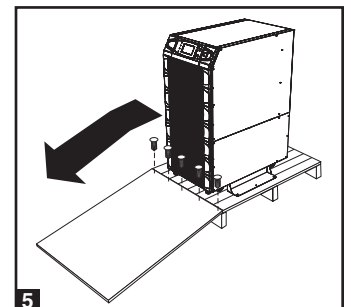
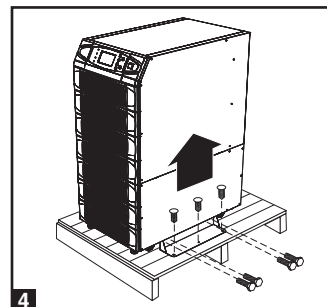
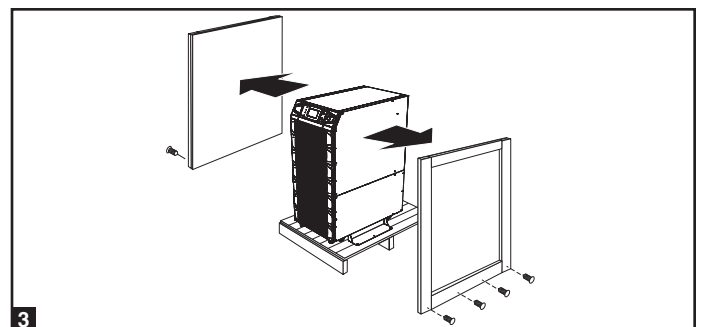
Система бесперебойного питания должна устанавливаться на поверхности с прочной структурой и ровным полом, способным выдержать вес системы, корпусы внешней батареи и другого смежного оборудования. Монтажная площадка должна иметь выделенную цепь переменного тока, совместимую с требованиями входа СБП. (См. **Раздел 12 – Спецификации** для подробной информации по требованиям для входа и приложению нагрузки на пол). До распаковки установки, переместите доставленный контейнер как можно ближе к монтажной площадке, чтобы уменьшить расстояние, необходимое для передвижения агрегата после снятия защитной упаковки. Если Вы планируете хранить СБП в течение продолжительного периода до её монтажа, следуйте инструкциям **Раздела 13 – Хранение и сервисное обслуживание**. (Инструкции по распаковке и хранению установки отпечатаны на отдельном листе "Инструкции по распаковке и хранению" и вложены в контейнер.) **Предупреждение: Не следует распаковывать либо передвигать СБП без участия обслуживающего персонала.**

5-2 Распаковка

- 1 Проверьте полученные контейнер(ы) на наличие явных повреждений. Если Вы определили, что установка была повреждена во время перевозки, обратитесь в «Трип Лайт» за поддержкой. Не пытайтесь использовать СБП, если она была повреждена либо получила повреждения в результате неправильного обращения.
- 2 Убедитесь, что контейнер установлен вертикально. Используйте отвертку для снятия верхней, передней и задней панели. Снимите пластмассовую обертку и амортизационный материал внутри установки. Убедитесь, что наименование модели и номинал на задней панели шкафа соответствуют заказываемой Вами модели. Проверьте шкаф на наличие поврежденных либо открепленных деталей. Убедитесь, что в контейнере имеются все дополнительные детали, которые поставляются с установкой. СБП должна включать: последовательный кабель RS-232, кабель для параллельного резервного подключения, соединительный зажим для дистанционной передачи EPO, входной разъём (на 4 контакта) для сигнала с сухого магнитоуправляемого контакта, разъём для выхода с сухого магнитоуправляемого контакта (на 12 контактов) и CD-ROM с программным обеспечением. При отсутствии либо повреждении перечисленных компонентов, обратитесь с «Трип Лайт» за поддержкой.
- 3 Убедитесь, что установка стабилизирована, затем снимите боковые панели контейнера.



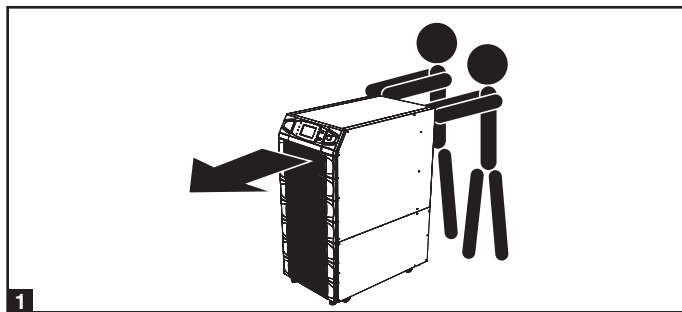
- 4 Удалите болты из держателей, которые крепят установку на паллеты, затем снимите держатели с системы бесперебойного питания. **Предупреждение: Будьте очень осторожны, так как установка может неожиданно сдвинуться.**
- 5 Используйте винты, снятые при выполнении шага 2 для крепления верхней панели контейнера к верхнему краю паллет. Гладкая поверхность панели должна быть направлена вверх таким образом, чтобы её можно было использовать в качестве наклонного мостка, чтобы скатить станок с паллет. Не следует использовать верхнюю панель в качестве мостка в случае, если она треснула либо имеет любые другие повреждения структуры. Убедитесь, что ролики на нижней панели установки не заблокированы. Очень осторожно скатите установку вниз по мосткам с помощью технических ассистентов.



5-3 Размещение

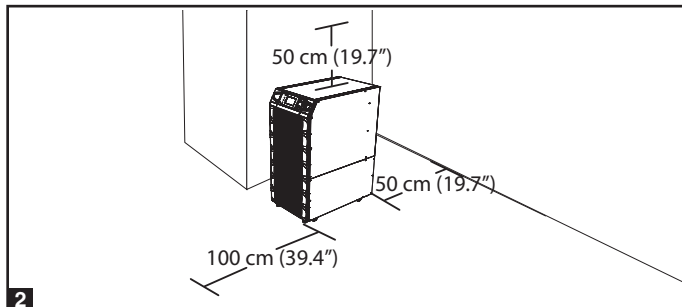
1 Для передвижения СБП на короткие расстояния по ровной, гладкой, стабилизированной поверхности используйте ролики. Не используйте ролики для передвижения СБП на большие расстояния. СБП должна быть передвинута близко к площадке окончательного монтажа в контейнере, до его распаковки. Используйте механическое средство достаточной мощности для передвижения контейнера.

Предупреждение: В случае перемещения по нестабилизированной поверхности система бесперебойного питания может опрокинуться. При передвижении СБП будьте предельно осторожны. Передвигайте СБП за переднюю либо заднюю панель, а не за боковые стороны.



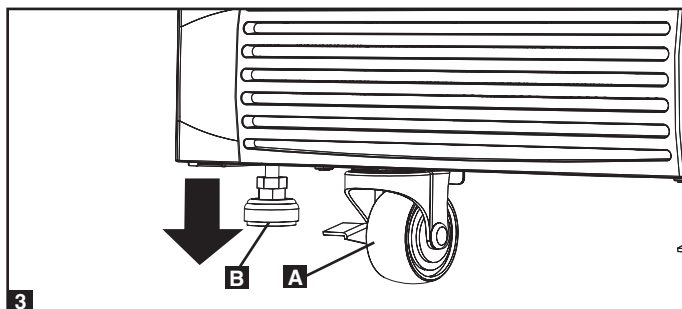
2 СБП следует размещать на поверхности с прочной структурой и ровным полом, способным выдержать вес системы, корпуса внешней батареи и другого смежного оборудования. Монтажная площадка должна иметь выделенную цепь переменного тока, совместимую с требованиями входа СБП. (См. Раздел 12 - Спецификации для подробной информации по требованиям для кабеля ввода и приложению нагрузки на пол). СБП должна быть установлена в чистом, безопасном помещении с относительной влажностью менее 90% (без конденсата). При эксплуатации системы бесперебойного питания температура в помещении должна находиться в пределах от 17° F до 29° F (62° C и 84° C соответственно). Следует предотвращать повреждения кабелей, используя подходящие защитные кабелепроводы. Чтобы обеспечить необходимый приток воздуха, а также доступ для сервисного обслуживания, Вы должны соблюдать следующие зазоры:

- Не менее 100 см перед СБП.
- Не менее 50 см сзади СБП.
- Не менее 50 см над СБП.

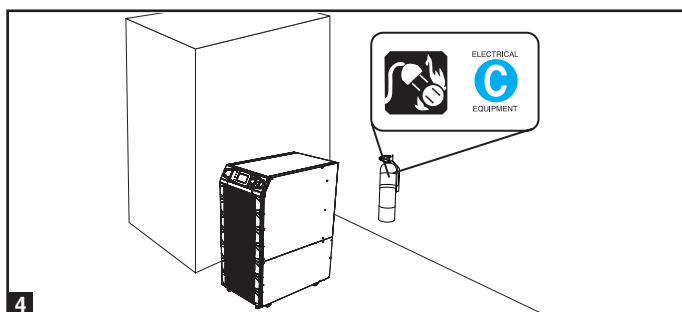


Предупреждение: Вентиляторы охлаждения циркулируют воздух из передней части установки в заднюю. Не используйте кондиционеры либо вентиляторы с прямым обдувом задней панели СБП.

3 После того, как СБП перемещена в окончательное положение, заблокируйте ролики **A** и используйте штанги **B** для стабилизации шкафа. Убедитесь, что все четыре штанги находятся в жестком контакте с полом.



4 Для аварийного использования установите огнетушитель для тушения возгораний электрического оборудования (Класса С либо эквивалентный, с огнегасящим составом, не проводящим электрический ток) возле СБП.



6 - Подключение внутренней батареи (только для моделей SU20KX и SU40KX)



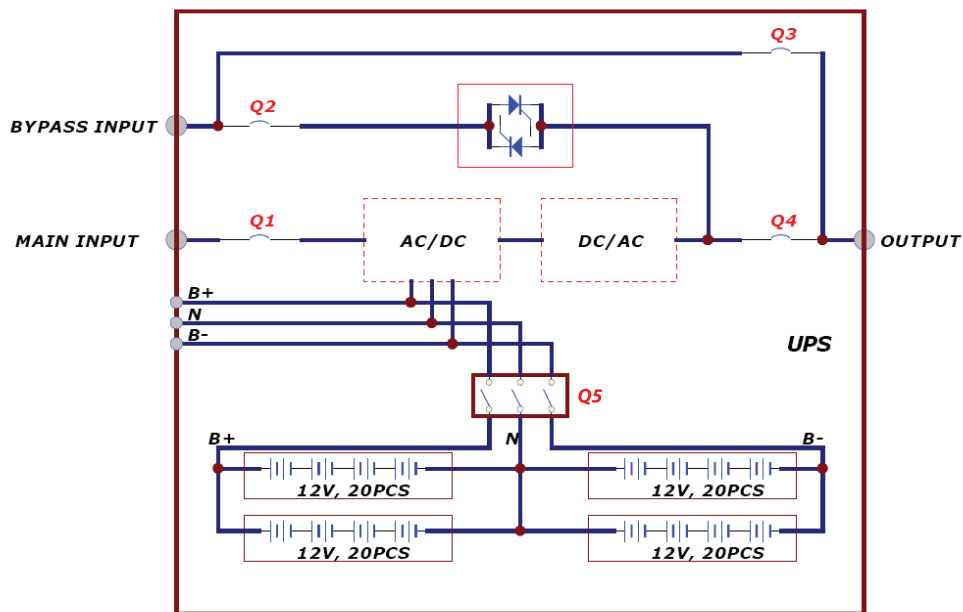
ОПАСНОСТЬ! РИСК УДАРА ВЫСОКОВОЛЬТНЫМ ТОКОМ СО СМЕРТЕЛЬНЫМ ИСХОДОМ!

Батареи являются источником высоковольтного тока, даже если не подключены к СБП, удар которого может привести к смерти пострадавшего. Подключение батареи должно выполняться только квалифицированным специалистом, который обязан выполнять все меры безопасности, перечисленные в данном руководстве, а также действующие нормы подключения электрического оборудования. Прочтите **Раздел 2 - Важные инструкции по технике безопасности** до начала монтажа

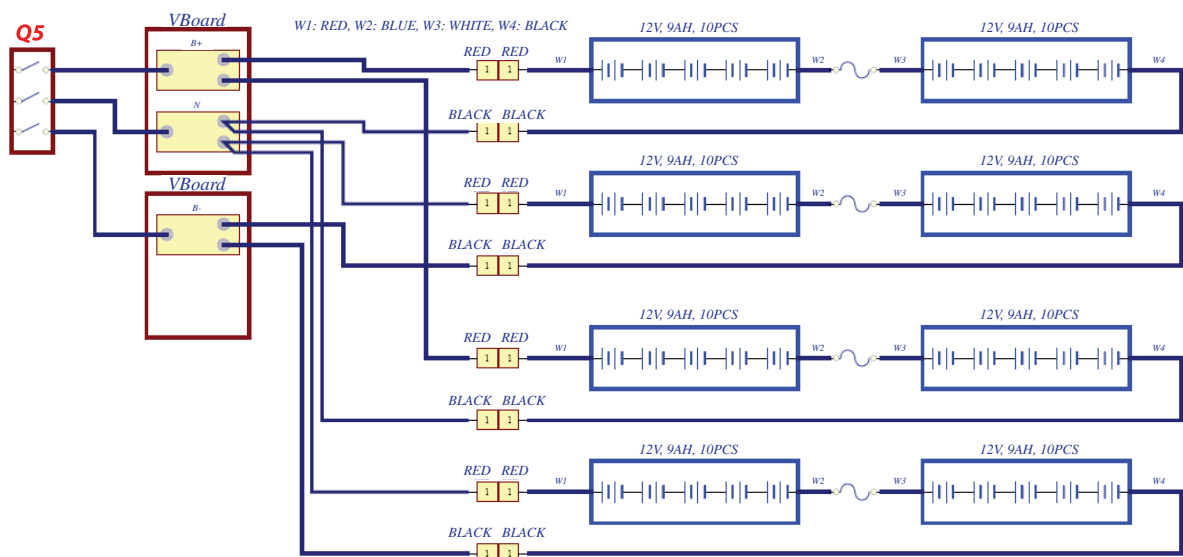
Подключение внутренней батареи выполняется (только для моделей SU20KX и SU40KX). Каждый батарейный блок состоит из двух батарейных секций: одна секция с черным кабелем, другая - с красным. Количество внутренних батарейных источников питания варьируется в зависимости от модели.

6-1 Схема подключений внутренней батареи

Пересмотрите схемы подключений внутренней батареи до начала выполнения соединений. СБП может принимать до четырех внутренних батарейных блоков, каждый из которых состоит из двух секций; каждая секция имеет 10 батарей). Количество внутренних батарейных источников питания варьируется в зависимости от модели.



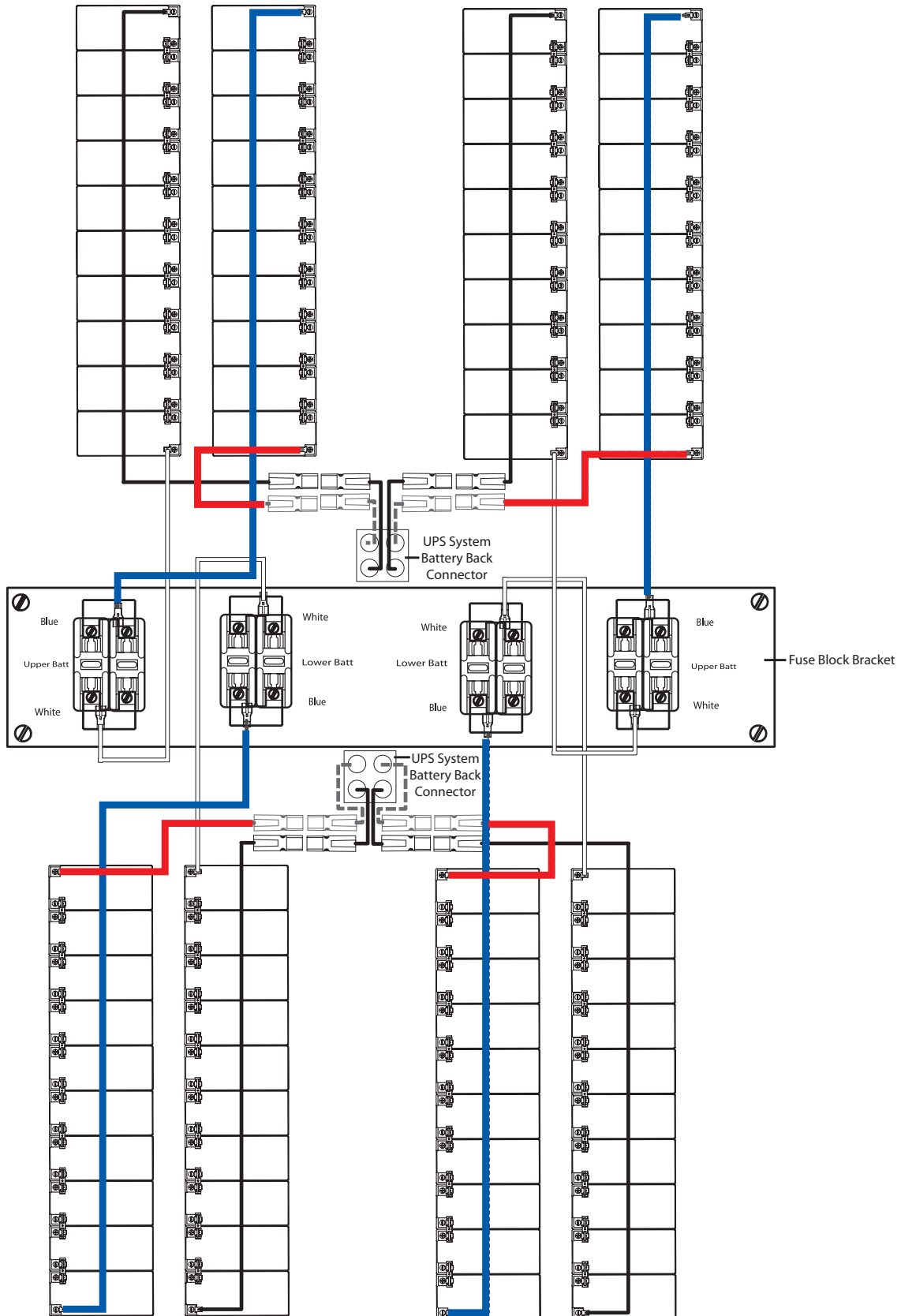
SU40KX shown



SU40KX shown

6 - Подключение внутренней батареи (продолжение)

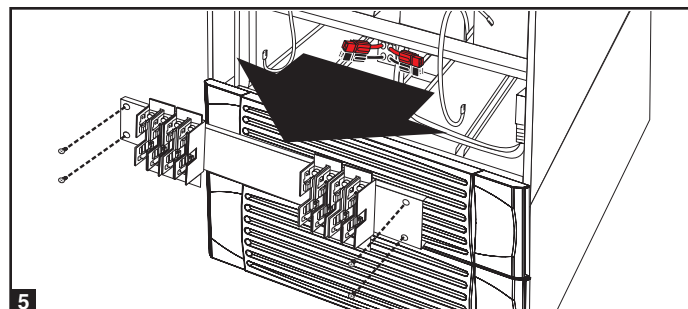
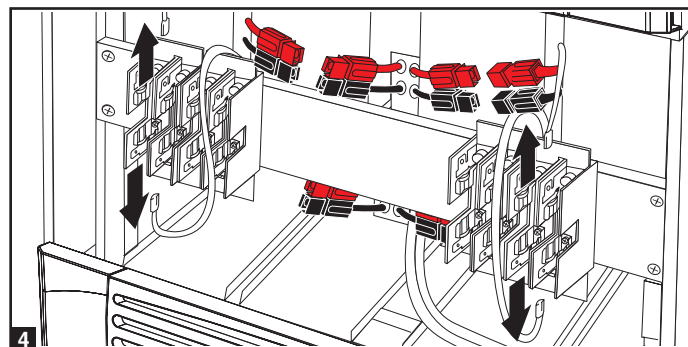
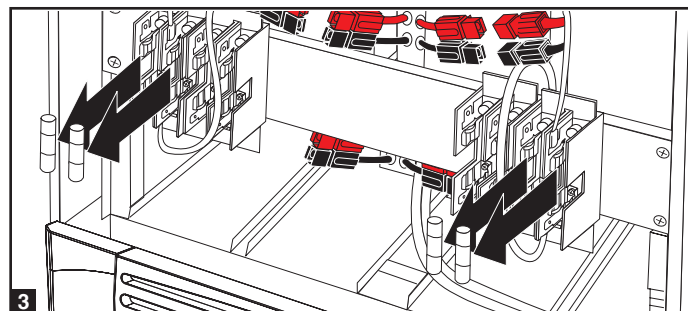
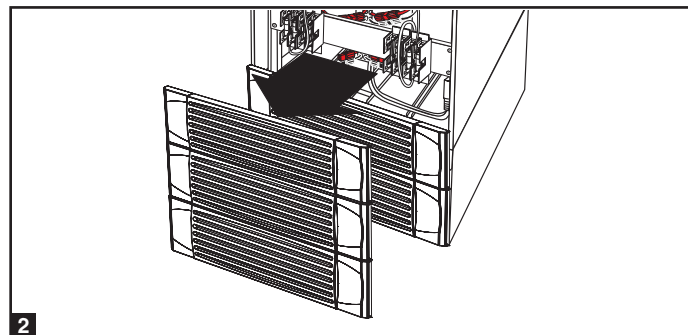
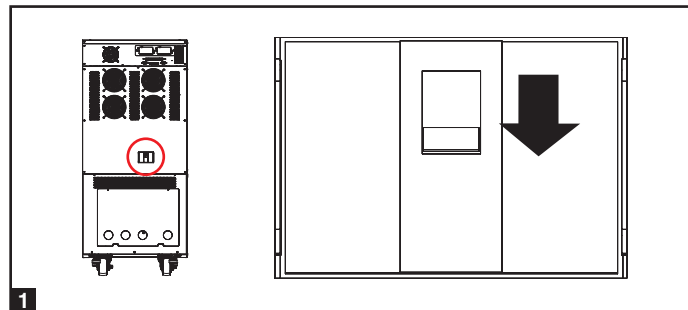
6-1 Схема подключений внутренней батареи (продолжение)



SU40KX shown

6-2 Процедура выполнения соединений внутренней батареи

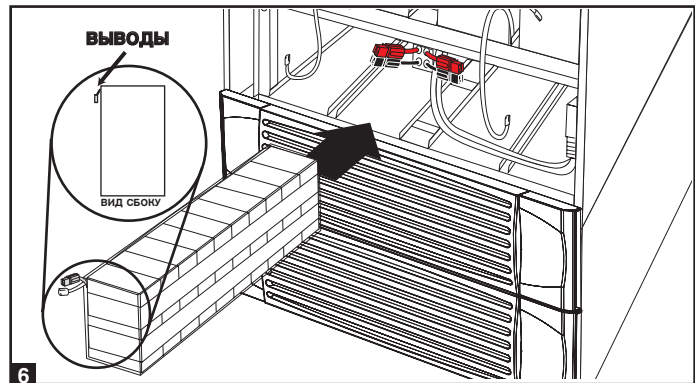
- 1** Переведите СБП в байпасный режим (либо полностью выключите её), переведите переключатель внутренней батареи, расположенный на задней панели СБП, в положение OFF.
- 2** Снимите держатели доступа к батарее, расположенные на лицевой панели СБП.
- 3** Снимите трубчатый плавкий предохранитель на каждом блоке предохранителей.
- 4** Отсоедините белую и голубую кабельную перемычки, подключенные к каждому блоку предохранителей.
Предупреждение: Вытягивайте кабельные перемычки из блока предохранителей с равномерным усилием. Не изгибайте кабель из стороны в сторону, так как это может повредить разъём.
- 5** Снимите держатель блока предохранителей. До начала снятия отметьте его ориентацию.



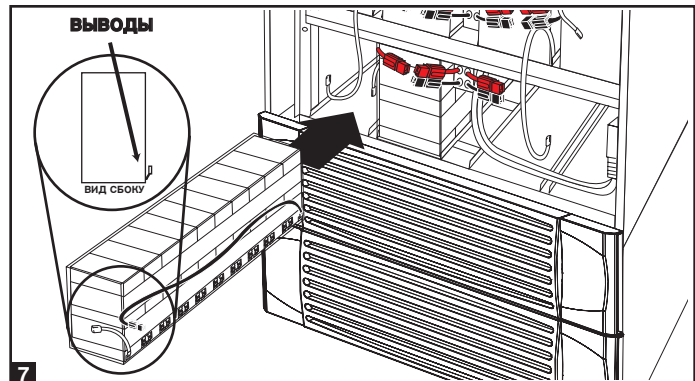
6 - Подключение внутренней батареи (продолжение)

6-2 Процедура выполнения соединений внутренней батареи (продолжение)

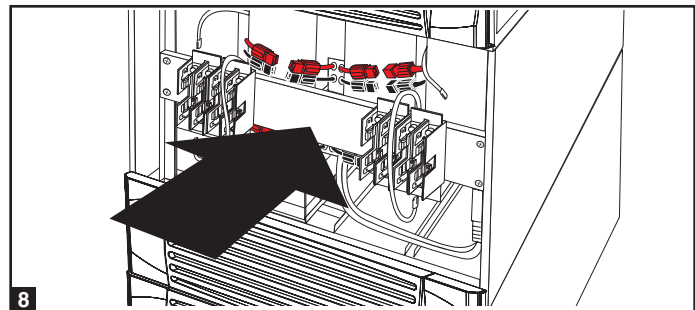
6 Секцию батареи с красным кабелем поместите в пустой паз внутри корпуса батареи. Убедитесь, что секция ориентирована таким же образом, как показано на схеме. *Примечание: Начинайте процедуру с пустых пазов внизу батарейного корпуса, заполняйте пазы по направлению кверху корпуса.*



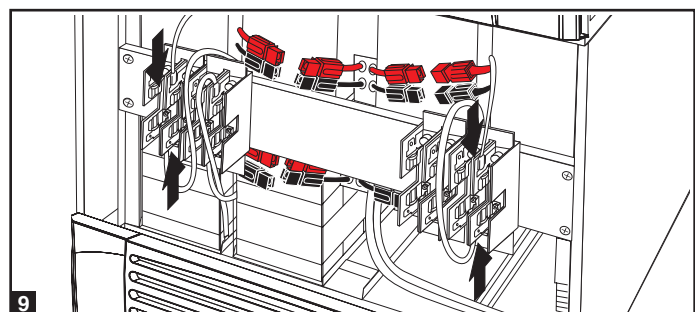
7 Переместите секцию батареи с чёрным кабелем в пустой паз в батарейном корпусе, рядом с секцией, которая была вставлена при выполнении шага 6. Убедитесь, что секция ориентирована таким же образом, как показано на схеме. Повторяйте шаги 6-7 по необходимости, до тех пор пока не вставите все батарейные секции в пустые пазы. *Примечание: В зависимости от модели СБП, некоторые пазы батарейного корпуса могут оставаться пустыми.*



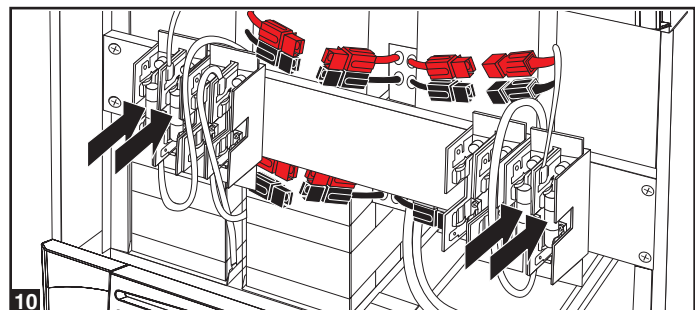
8 Подсоедините держатель блока предохранителей. (Буквы на держателе блока при правильной ориентации должны быть расположены вертикально.)



9 Подключите белую и голубую кабельные перемычки на каждом батарейном блоке на соответствующий блок предохранителей. Маркировка на блоке предохранителей указывает на правильный блок для каждого кабеля.

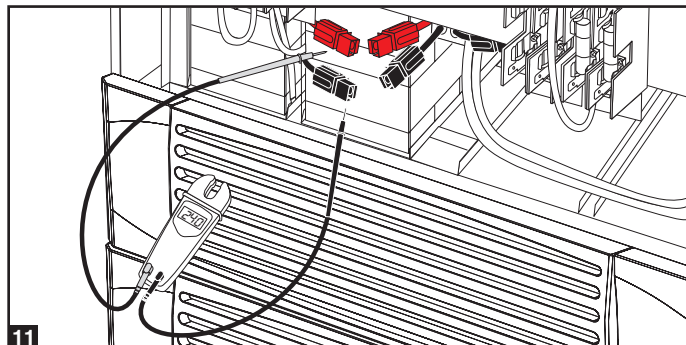


10 Вставьте трубчатый плавкий предохранитель в каждый блок предохранителей. Предохранители являются взаимозаменяемыми. Убедитесь, в плотном контакте предохранителей. **Предупреждение: Трубчатые плавкие предохранители батареи вставляются в последнюю очередь з-за возможного дугового пробоя разъёмов. Перегоревшие предохранители должны заменяться только квалифицированным электриком. Предохранители должны заменяться на идентичные, с таким же номером и номиналом.**

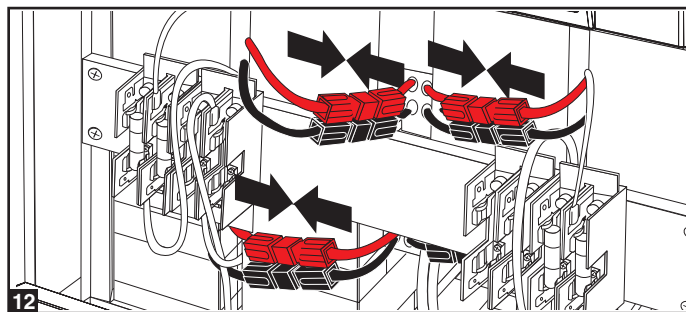


6-2 Процедура выполнения соединений внутренней батареи (продолжение)

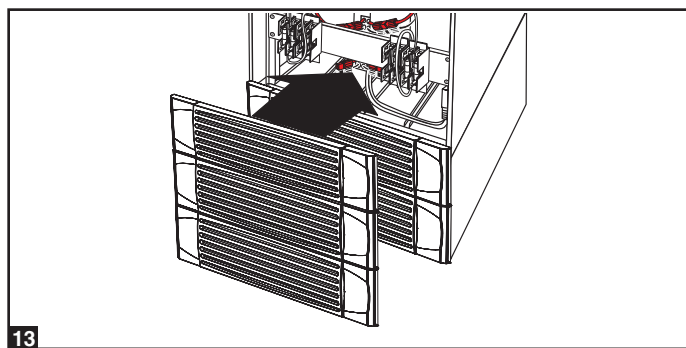
11 Используйте вольтметр (не входит в комплект, поставляется пользователем) для проверки напряжения на каждом блоке внутренней батареи. Соблюдая полярность, подключите черный пробник вольтметра к черному разъёму на батарейном блоке; подключите **красный** пробник к **красному** разъёму. Убедитесь, что пробники вольтметра находятся в контакте с разъёмами внутри батарейного блока. Допустимое напряжение постоянного тока в батарейном блоке 220-280 В (номинальное значение - 240 В). Если результаты ряда тестов, выполненных с помощью вольтметра, показывают превышение допустимых пределов напряжения, обратитесь за помощью в «Трип Лайт», чтобы определить возможные причины неправильных показателей напряжения во время процедуры.



12 Подключите чёрный кабель каждого из блоков внутренней батареи к ближайшему разъёму черного цвета, расположенному внутри корпуса батареи СБП. - Подключите **красный** кабель каждого из блоков внутренней батареи к ближайшему разъёму **красного** цвета, расположенному внутри корпуса батареи СБП. **Предупреждение: Соблюдайте полярность, подключая минус на минус (черный кабель и разъём) и плюс на плюс (красный кабель и разъём). Несоблюдение полярности может повредить СБП, создавая риск серьезного травмирования персонала и порчи имущества.**

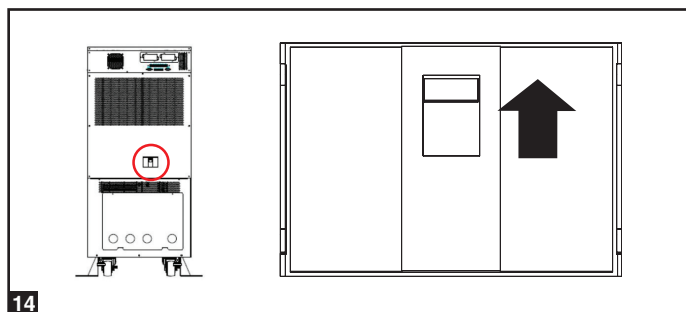


13 Поставьте гнезда/держатели доступа к батарее на место.



14 Следуйте соответствующей процедуре для перезапуска системы ИБП и повторного перенаправления критической нагрузки на защищенное электропитание.

Примечание: Если Вам нужно снять либо заменить внутренние батарейные блоки, выполните шаги 6-7, снимая и/или заменяя установленные блоки согласно необходимости.



7 - Схема соединений



ОПАСНОСТЬ! РИСК УДАРА ВЫСОКОВОЛЬТНЫМ ТОКОМ СО СМЕРТЕЛЬНЫМ ИСХОДОМ!

Все кабельные соединения должны выполняться квалифицированным электриком, согласно предупреждениям данного руководства, а также действующим правилам безопасности по подключению электрического оборудования. Кабельные соединения, выполненные неправильно, могут серьезно повредить СБП, создавая риск серьезного травмирования персонала и порчи имущества. Прочтите [Раздел 2 – Важные инструкции по технике безопасности](#) до начала процедуры.

7-1 Предупреждения по выполнению проводки

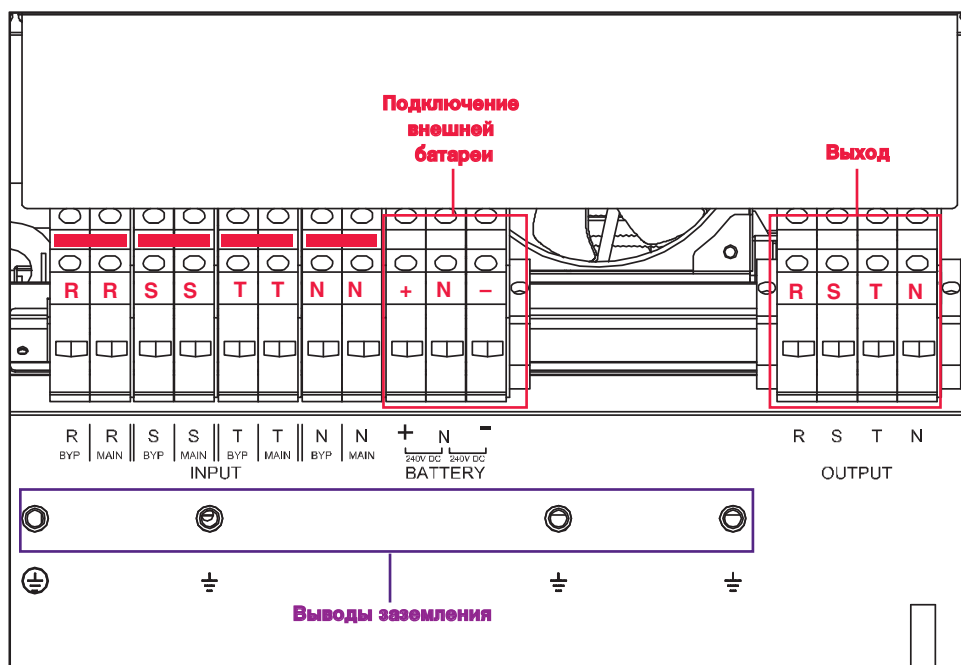
- До начала монтажных кабельных работ либо выполнения электрических подключений деактивируйте все источники входной и выходной мощности СБП.
- Используйте гибкий кабель достаточной длины, чтобы исключить трудности в обслуживании СБП. Максимальная длина кабеля – 10 м (32.8 фута).
- Используйте предохранительные колпачки для изоляции кабельных выводов, предотвращая появление потертых концов и их закорачивание на клеммной колодке.
- Используйте кабель номинал VW-1, FT-1 либо выше.
- Используйте кабельные муфты и фиксаторы соединителя.
- Кабель нейтрали должен быть идентичного класса с силовыми кабелями.
- Затяните все соединения с моментом не менее 3.95 Н-м (35 дюйм-фунт)
- Убедитесь, что все кабели имеют правильную маркировку: предназначение, полярность, фазу и диаметр.
- Если источники входной/выходной мощности соединяются по типу «звезда-звезда», тогда «нейтраль» и «земля» не должны соединяться.
- Если источник входной мощности имеет $V_{NG} > 0$, установите изоляционный трансформатор до входа на СБП и источник входной мощности, затем соедините «нейтраль» и «землю» СБП.
- Для оборудования, требующего подключения нейтрали к распределительной системе питания с контролем ИТ, размыкающее устройство должно быть 4-х полюсным и отключать все линейные и нейтральные провода. Если размыкающее устройство отключает нейтраль, то оно одновременно должно прерывать подачу питания на все линейные провода.
- Выполните непрерывную подзарядку батарей в течение 24 часов после выполнения первичных кабельных соединений.
- Соблюдайте полярность, подключая минус на минус и плюс на плюс. Несоблюдение полярности может повредить СБП, создавая риск серьезного травмирования персонала и порчи имущества.
- Соблюдайте соответствие по фазе, подключая R на R, S на S, T на T и N на N. Несоблюдение соответствия по фазе может повредить СБП, создавая риск серьезного травмирования персонала и порчи имущества.
- ИБП модели КХ, описываемый в настоящем руководстве, может запитываться от одного или двух источников. При желании ко входным клеммам ИБП может подключаться отдельный байпасный (резервный) источник. ИБП поставляются с завода-изготовителя с необходимыми клеммными переключателями (всего 4 шт.), которые устанавливаются для обеспечения подключений с использованием одного источника. При необходимости запитывания от двух источников снимите клеммные переключатели перед подключением сетевого и байпасного источников.

7-2 Подготовка к выполнению проводки

- Деактивируйте все источники входной и выходной мощности (переменного и постоянного тока) СБП и внешнего батарейного корпуса (при наличии).
- Промаркируйте все кабели: предназначение, полярность, фаза и диаметр.
- Пересмотрите схемы [Раздела 7-3](#) и [7-4](#), чтобы ознакомиться с расположением клеммных колодок.
- В таблице [Раздела 7-5](#) найдите необходимые электрические данные по кабелям ввода/вывода для СБП.

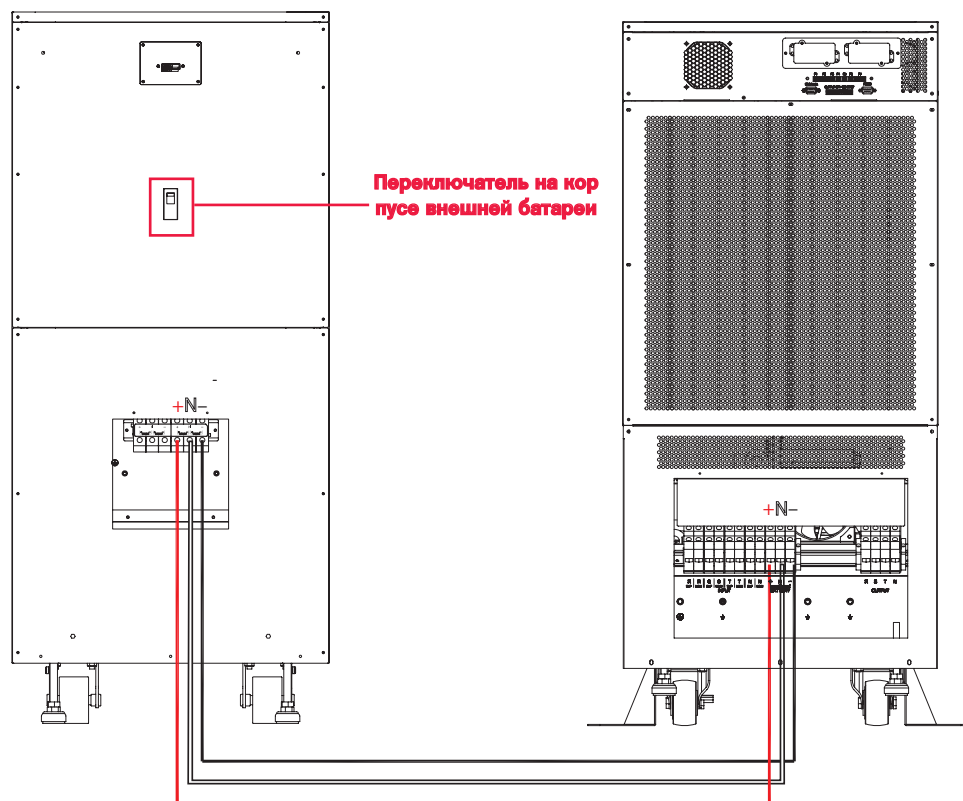
Примечание: Если источники входной/выходной мощности соединяются по типу «звезда-звезда», тогда «нейтраль» и «земля» не должны соединяться. Если источник входной мощности имеет $V_{NG} > 0$, установите изоляционный трансформатор до входа СБП и источника входной мощности, затем соедините «нейтраль» и «землю» СБП.

7-3 Схема клеммной колодки СБП



На рисунке изображена типовая конфигурация с использованием одного источника питания (с установленными на заводе-изготовителе клеммными перемычками [4 шт.])

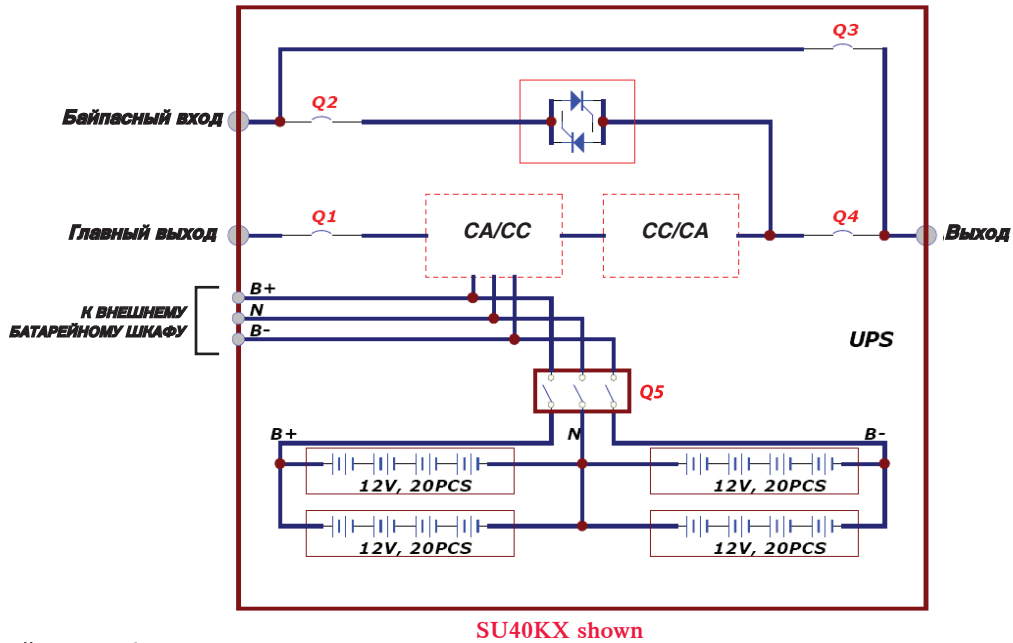
7-4 Схема соединений корпуса внешней батареи



Устройства SU80KX и BP480V40C показаны только для наглядности. Точные характеристики см. в документации к батарейному шкафу; кабели для подключения батарей должны помещаться в защитные кабельпроводы.

7 - Схема соединений (продолжение)

7-4 Схема соединений корпуса внешней батареи (продолжение)



Внешние батарейные шкафы

Шкаф В: 26 А-ч, предохранители 125 А

Шкаф С: 40 А-ч, предохранители 160 А

10-летний шкаф: 55 А-ч, 78 А-ч, 103 А-ч, 140 А-ч; автоматический выключатель 250 А

7-5 Данные по электрическим и кабельным подключениям

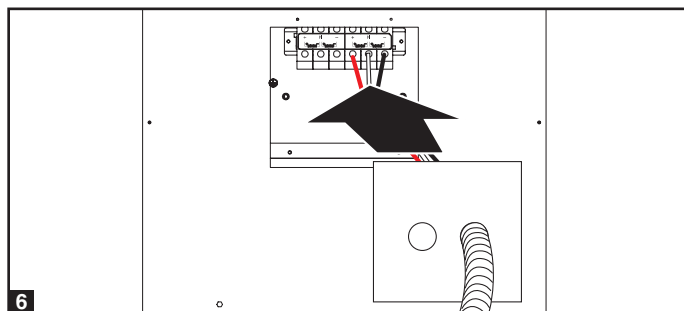
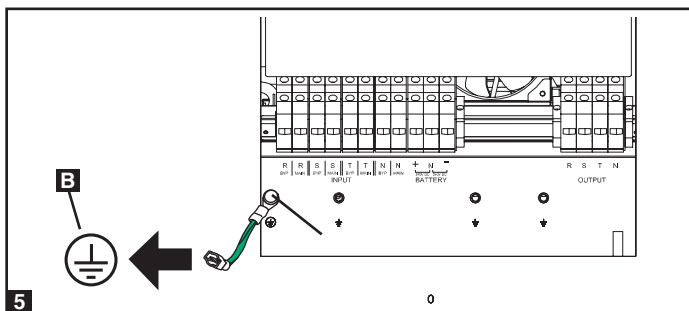
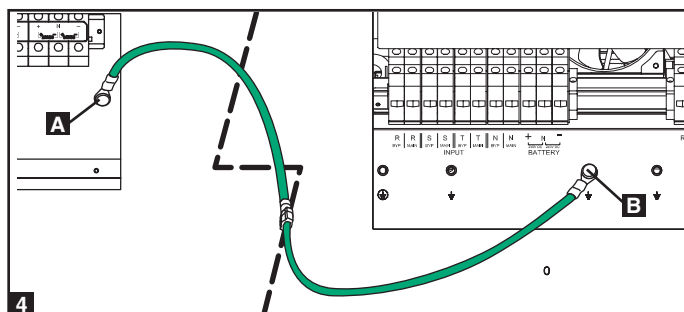
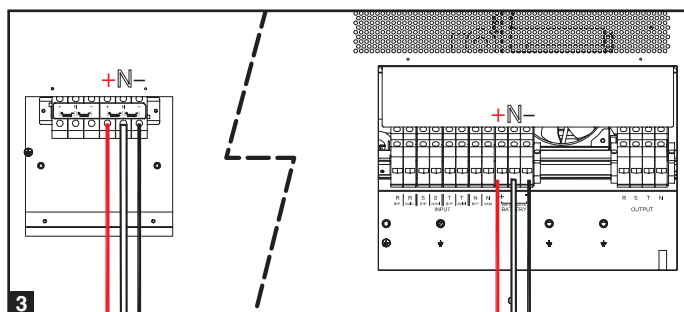
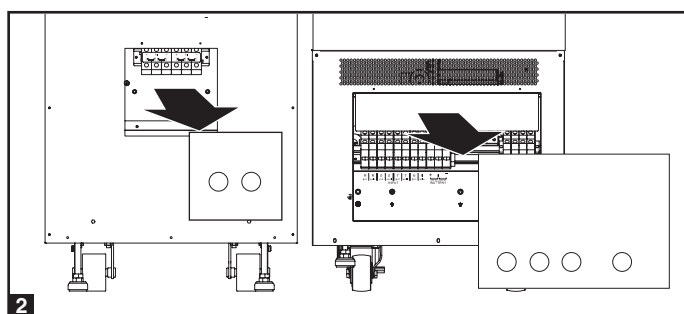
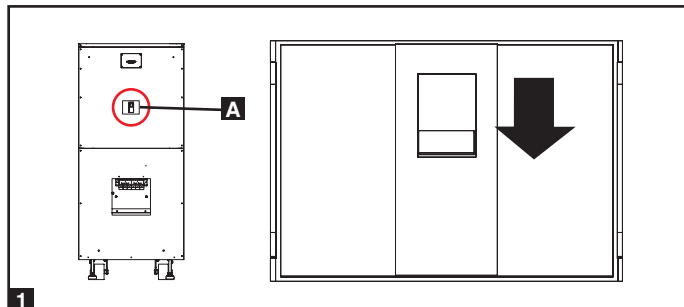
Модель	Вход	Выход	Рекомендуемый макс. номинал прерывателя для входа, выхода и обходной цепи (при использовании таковой)	Сечение провода для входа, резерва, и выхода	Ток через батарею при макс. нагрузке и номинальном напряжении постоянного тока	Ток через батарею при макс. нагрузке в НКУ	Рекомендуемое сечение провода для подключения батареи
SU20KX	220/380 В, 230/400 В или 240/415 В~, 3фазы, 4 провода + защитное заземление	220/380 В, 230/400 В или 240/415 В~, 3фазы, 4 провода + защитное заземление	50А	10 mm ² (#8 AWG)	35А	42А	50 mm ² (1/0 AWG)
SU40KX	220/380 В, 230/400 В или 240/415 В~, 3фазы, 4 провода + защитное заземление	220/380 В, 230/400 В или 240/415 В~, 3фазы, 4 провода + защитное заземление	75А (80А)	25 mm ² (#4 AWG)	69А	83А	50 mm ² (1/0 AWG)
SU60KX	220/380 В, 230/400 В или 240/415 В~, 3фазы, 4 провода + защитное заземление	220/380 В, 230/400 В или 240/415 В~, 3фазы, 4 провода + защитное заземление	125А	50 mm ² (#1 AWG)	103А	124А	50 mm ² (1/0 AWG)
SU80KX	220/380 В, 230/400 В или 240/415 В~, 3фазы, 4 провода + защитное заземление	220/380 В, 230/400 В или 240/415 В~, 3фазы, 4 провода + защитное заземление	150А	50 mm ² (1/0 AWG)	138А	165А	50 mm ² (1/0 AWG)

7-6 Схема соединений корпуса внешней батареи

Предупреждение: Корпусы внешней батареи могут иметь варианты в конструкции. Прочитайте документацию к корпусу внешней батареи до начала выполнения подключений к СБП. Используйте только электрические шкафы с внешней батареей, которые были одобрены компанией «Трип Лайт».

Примечание: Внешний батарейный корпус необходим для моделей SU60KX и SU80KX. Он является дополнительным в моделях S U20KX и SU40KX. Свяжитесь с фирмой «Трип Лайт» для информации по заказу внешнего батарейного корпуса.

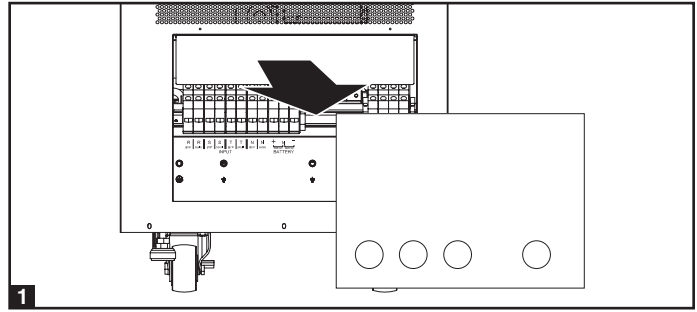
- 1 Деактивируйте все источники входной и выходной мощности (переменного и постоянного тока) СБП и внешнего батарейного корпуса и убедитесь, что выключатель внешней батареи **A** находится в положении OFF. (Если СБП уже подключена к источнику переменного тока, см. [Раздел 9-6](#) для инструкций по его выключению.)
- 2 Снимите изоляцию на клеммной колодке СБП и внешнего батарейного корпуса.
- 3 Подключите клеммы внешнего батарейного корпуса (плюс, нейтраль и минус) СБП к соответствующим выводам (плюса, нейтрали и минуса) внешней батареи системы бесперебойного питания. См. Раздел 7-3 схемы клеммной колодки в документации внешнего батарейного корпуса. См. [Раздел 7-4](#) для схем кабельных соединений. См. [Раздел 7-5](#) для требований к классу кабелей. Провода защищаются гибкими кабелепроводами и проводятся через кольцевые выталкиватели на шите клеммной колодки. **Предупреждение: Соблюдайте полярность, подключая минус на минус и плюс на плюс. Несоблюдение полярности может повредить СБП, создавая риск серьезного травмирования персонала и порчи имущества.**
- 4 Соедините вывод заземления **A** внешнего батарейного корпуса с соответствующим выводом заземления **B** СБП с помощью заземляющего кабеля стандарта 4 АСП (5.189 мм). Кабель заземления должен быть постоянно подключен.
- 5 Соедините вывод заземления **A** СБП с соответствующим выводом на землю **B** в помещении с помощью заземляющего кабеля стандарта 4 АСП (5.189 мм). Кабель заземления должен быть постоянно подключен.
- 6 Поставьте изоляционный щит клеммной колодки внешнего батарейного корпуса на место. Если Вы не планируете выполнить подключения входа/выхода переменного тока в СБП на этот раз, поставьте изоляционный щит клеммной колодки СБП на место.



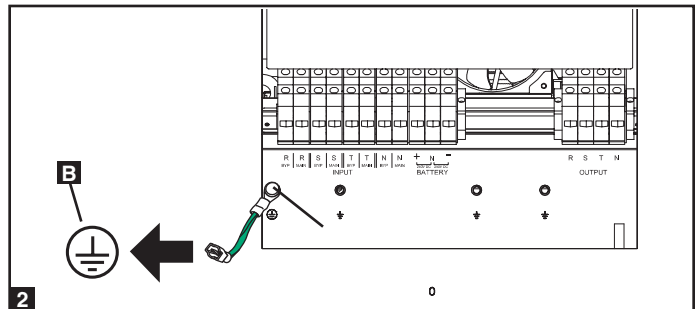
7 - Схема соединений (продолжение)

7-7 Подключение входа/выхода переменного тока (одинарная СБП)

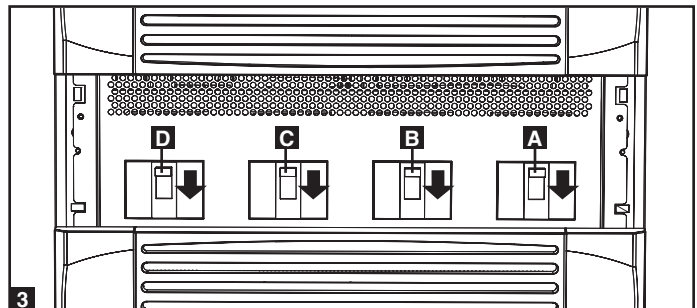
1 После того, как Вы деактивировали все источники входной и выходной мощности (переменного и постоянного тока) СБП, снимите изоляцию клеммной колодки системы.



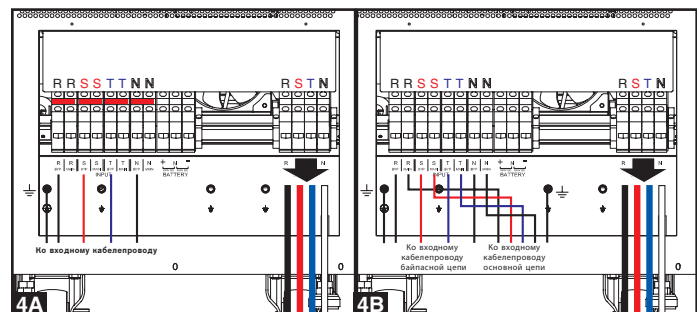
2 Если Вы не выполнили подключение кабеля заземления в **Р** разделе 7-6, соедините вывод заземления **A** СБП с соответствующим выводом на землю **B** в помещении с помощью заземляющего кабеля стандарта 4 АСП (5.189 мм). Кабель заземления должен быть постоянно подключен.



3 Снимите держатели на лицевой панели СБП, чтобы получить доступ к выключателям системы. Во-первых, убедитесь, что главный выключатель входа **A** и выключатель байпасного входа **B** находятся в положении OFF. Во-вторых, убедитесь, что ручной переключатель байпасного входа **C** находится в положении OFF. В-третьих, убедитесь, что переключатель выхода **D** находится в положении OFF.

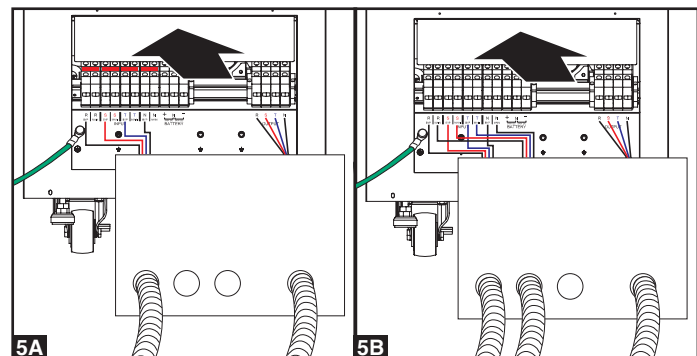


4 Проверьте фазу каждого кабеля, затем подключите их согласно схеме клеммной колодки СБП в **Разделе 7-3**. См. **Раздел 7-5** для требований к классу кабелей. Провода защищаются гибкими кабелепроводами и проводятся через кольцевые выталкиватели на щите клеммной колодки. **Предупреждение: Соблюдайте соответствие по фазе, подключая R на R, S на S, T на T и N на N. Несоблюдение соответствия по фазе может повредить СБП, создавая риск серьезного травмирования персонала и порчи имущества.**



4A Вход с питанием от одного источника
4B Вход с питанием от двух источников

5 Поставьте изоляционный щит клеммной колодки СБП на место.



5A Вход с питанием от одного источника
5B Вход с питанием от двух источников

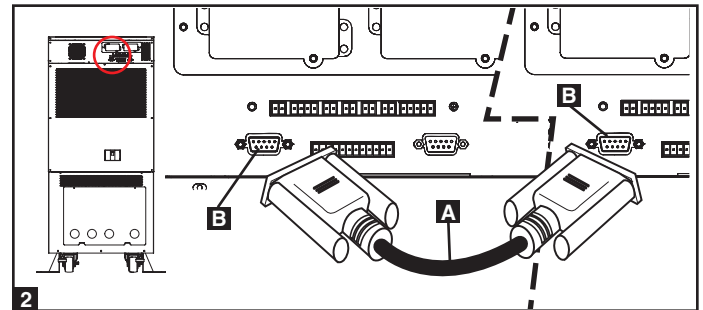
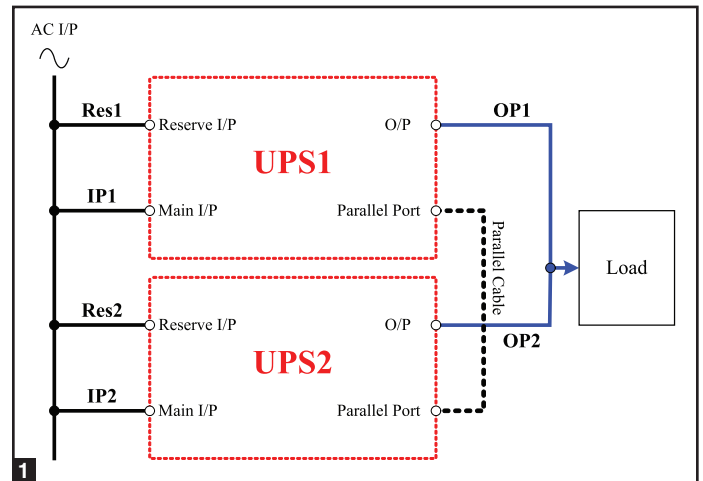
7 - Схема соединений (продолжение)

7-8 Подключение входа/выхода переменного тока (параллельные СБП – Единичный источник входного тока)

Предупреждение о параллельных системах ИБП:

- Общая длина кабеля входа должна быть равна общей длине кабеля выхода во избежание несимметричного распределения нагрузки между двумя СБП в резервном режиме (таким образом, $Res1 + OP1 = Res2 + OP2$; отклонение <10%).
- Параллельная конфигурация поддерживает только 2 системы ИБП (1 + 1 резервирование или пропускная способность). Не пытайтесь соединить более двух систем ИБП посредством параллельной конфигурации.
- Системы ИБП должны иметь одинаковые параметры и пропускную способность для параллельной установки ИБП. Попытка подключить разные системы ИБП вызовет их повреждение и создаст серьезный риск травм и порчи имущества.
- Каждый ИБП должен иметь собственную параллельную группу, установленную на 2, и собственный идентификатор параллели, указывающий на то, что системы ИБП работают параллельно. (Для получения более подробной информации см. [Раздел 10-5-5](#).)

- 1 Выполните шаги [Раздела 7-7](#), соединив кабели СБП, как показано на схеме.
- 2 Подсоедините входящий в комплект параллельный кабель ИБП **A** к параллельному порту **B** каждой системы ИБП.



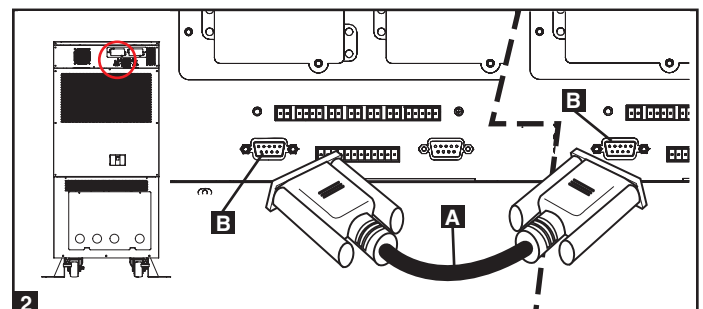
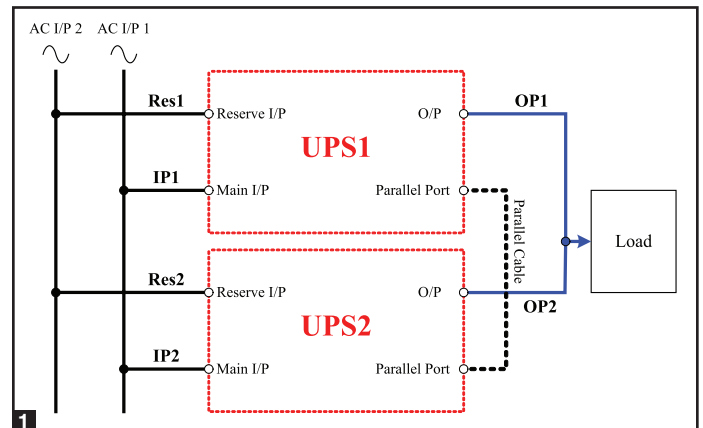
7

7-9 Подключение входа/выхода переменного тока (параллельные СБП – Dual Input Sources)

Предупреждение о параллельных системах ИБП:

- Общая длина кабеля входа должна быть равна общей длине кабеля выхода во избежание несимметричного распределения нагрузки между двумя СБП в резервном режиме (таким образом, $Res1 + OP1 = Res2 + OP2$; отклонение <10%).
- Параллельная конфигурация поддерживает только 2 системы ИБП (1 + 1 резервирование или пропускная способность). Не пытайтесь соединить более двух систем ИБП посредством параллельной конфигурации.
- Системы ИБП должны иметь одинаковые параметры и пропускную способность для параллельной установки ИБП. Попытка подключить разные системы ИБП вызовет их повреждение и создаст серьезный риск травм и порчи имущества.
- Каждый ИБП должен иметь собственную параллельную группу, установленную на 2, и собственный идентификатор параллели, указывающий на то, что системы ИБП работают параллельно. (Для получения более подробной информации см. [Раздел 10-5-5](#).)

- 1 Выполните шаги [Раздела 7-7](#), соединив кабели СБП, как показано на схеме.
- 2 Подсоедините входящий в комплект параллельный кабель ИБП **A** к параллельному порту **B** каждой системы ИБП.

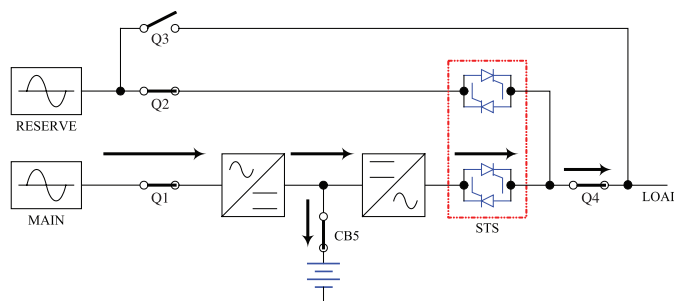


8 - Рабочие режимы

В данном разделе приводится описание рабочих режимов системы бесперебойного питания. Для более подробной информации о переключении рабочих режимов, обратитесь к [Разделу 9 - Запуск, автоматическое выключение и работа в байпасном режиме](#).

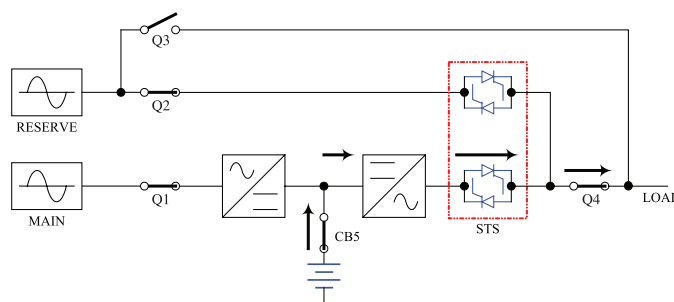
8-1 Интерактивный (нормальный) режим (одинарная СБП)

В интерактивном (нормальном) режиме, выпрямитель СБП преобразует входящий переменный ток в постоянный, который заряжает батареи и питает преобразователь системы. Преобразователь преобразует постоянный ток в отрегулированную, чистую синусоиду переменного тока, которая обеспечивает работу подключенного оборудования. Данная технология двойного преобразования тока изолирует подключаемое оборудование от проблем с электропитанием, гарантируя, что на оборудование бесперебойно подается ток с идеальными характеристиками.



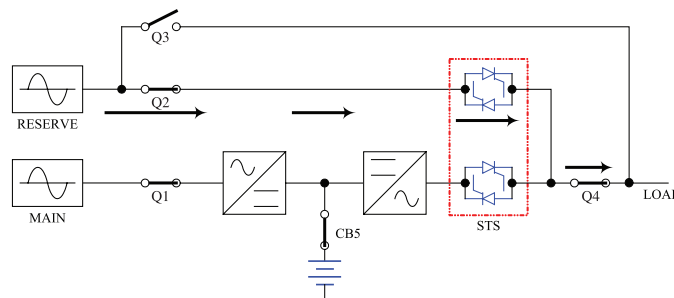
8-2 Режим работы от резервной батареи (одинарная СБП)

Во время аварий либо других чрезвычайных ситуаций в системе энергоснабжения СБП автоматически переходит из нормального режима в режим работы от резервной батареи. Батареи СБП (внутренняя и/или внешняя) подают постоянный ток на преобразователь. Преобразователь преобразует постоянный ток в отрегулированную, чистую синусоиду переменного тока, которая обеспечивает работу подключенного оборудования.



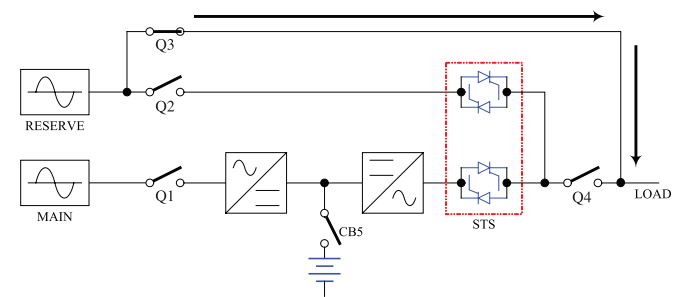
8-3 Автоматический байпасный режим (одинарная СБП)

Если происходит нарушение работы преобразователя из-за превышения температуры, перегрузки, закорачивания на выходе, проблем с напряжением либо батарей, инвертер автоматически отключается. СБП определяет байпасный (резервный) источник питания с нормальными характеристиками, затем система автоматически переключается в байпасный режим, продолжая снабжать питанием подключенное оборудование. При устранении всех проблем, СБП переключается обратно в интерактивный (нормальный) режим.



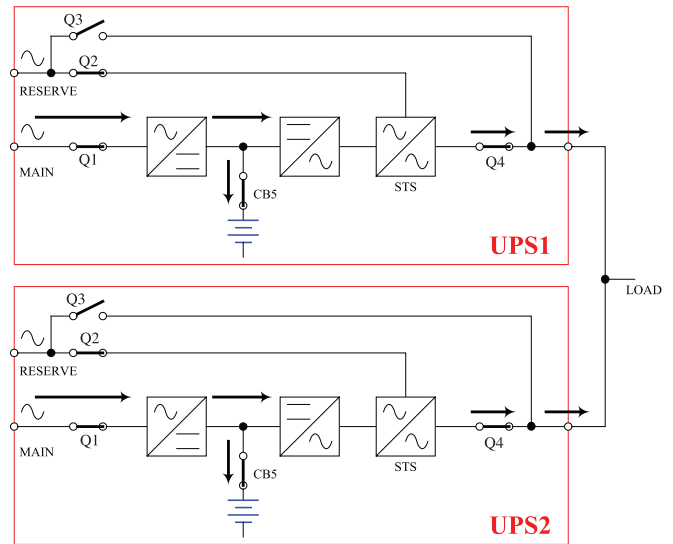
8-4 Ручной байпасный режим (одинарная СБП)

Если СБП требуется техническое обслуживание либо ремонт, Вы можете обвести систему и активировать байпасный (резервный) источник питания вручную. Убедившись в наличии питания по обходной цепи, выключите преобразователь, нажав на кнопку OFF и ответив "YES" ("ДА") на вопрос "Transfer to Bypass Mode?" ("Переключиться в режим работы по обходной цепи?") (при этом ИБП переходит в режим статической работы по обходной цепи), а затем переключите ИБП в режим ручной работы по обходной цепи. (Полное описание процедуры ручной работы по обходной цепи см. в [Разделе 9-5](#)). Это позволит технику выполнить работы по обслуживанию либо ремонту, не прерывая подачу переменного тока на подключенное оборудование. **Предупреждение: СБП должна быть полностью деактивирована до начала работ по обслуживанию либо ремонту, её следует полностью обесточить после перевода в ручной байпасный режим.**



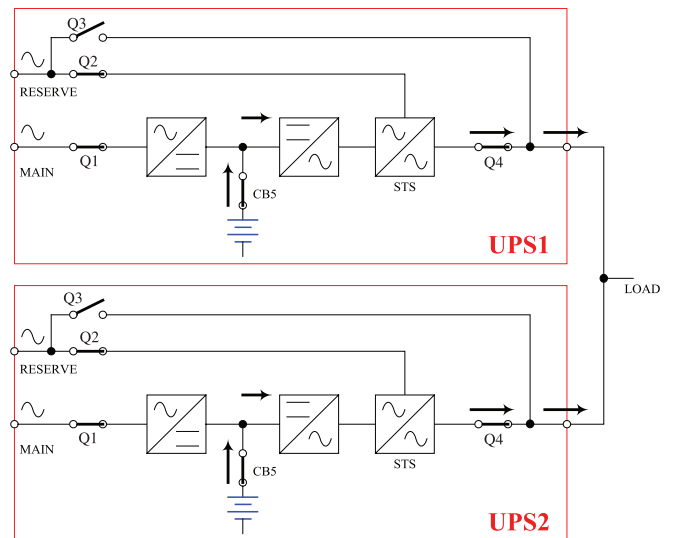
8-5 Интерактивный (нормальный) режим (параллельные СБП)

Параллельные резервные блоки (1+1) обеспечивает резерв СБП либо увеличивают мощность системы. При параллельном резерве общая нагрузка делится на две системы бесперебойного питания. Если происходит сбой работы одной из СБП, общая подключенная нагрузка будет поддерживаться СБП, оставшейся в работе. Если общая нагрузка превысит мощность СБП, оставшейся в работе, система перейдет в автоматический байпасный режим.



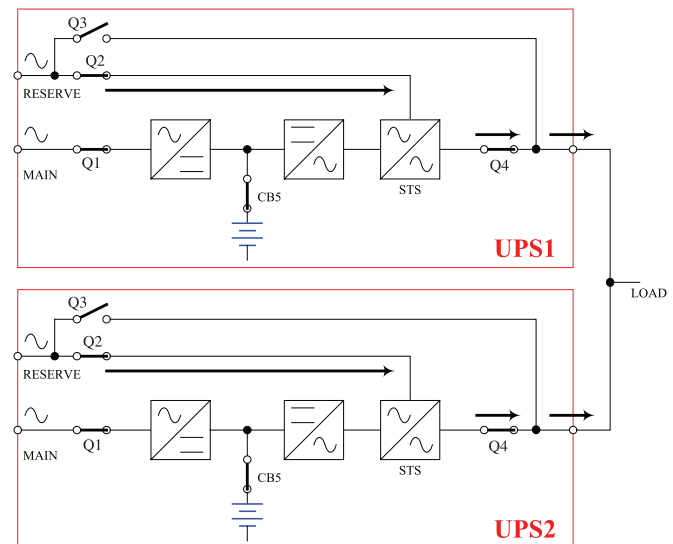
8-6 Режим работы резервной батареи (параллельные СБП)

Сходен с режимом работы резервной батареи для одинарной СБП (Раздел 8-2), кроме того факта, что общая подключенная нагрузка делится на параллельные (1+1) СБП.



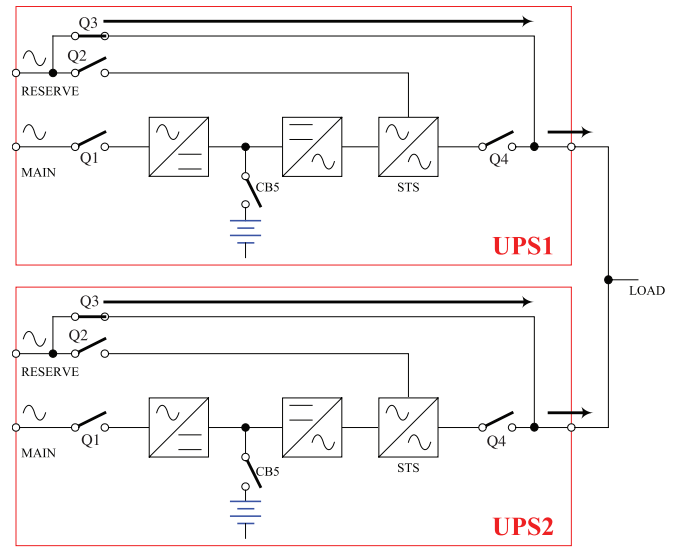
8-7 Modo de Derivaciyn Autom6tica (UPS en Paralelo)

Сходен с автоматическим байпасным режимом для одинарной СБП (Раздел 8-3), только для параллельных (1+1) СБП.



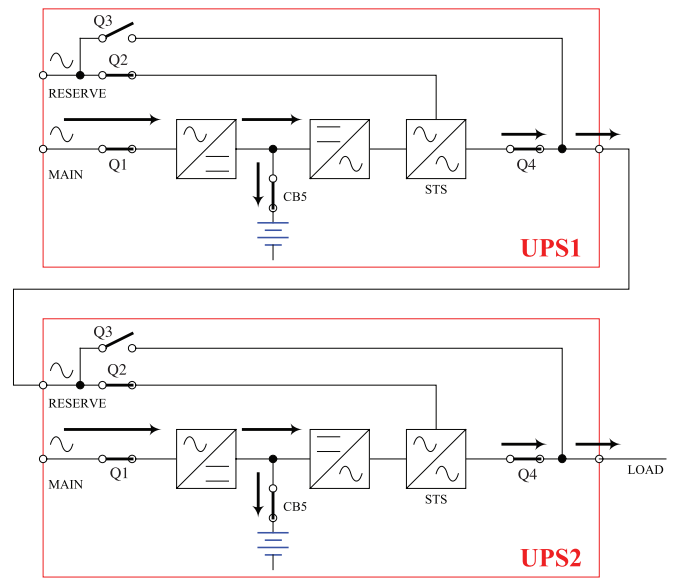
8-8 Ручной байпасный режим (параллельные СБП)

Сходен с ручным байпасным режимом для одинарной СБП (Раздел 8-4), только для параллельных (1+1) СБП. Примечание: Обе системы должны быть переведены в ручной обходной режим.



8-9 Режим работы горячего резерва (параллельные СБП)

Для дополнительной защиты от сбоев системы резервная СБП работает как байпасный источник питания для главной СБП.



9 – Начальный запуск, отключение и переключение на обходную цепь

Предупреждение. По умолчанию выходное напряжение ИБП установлено на 220/380 В. Если требуемый номинал выходного напряжения составляет 230/400 В или 240/415 В, то необходимо изменить выходное напряжение ИБП в меню начальной установки выходных параметров, как описано в разделе 10-5-2. Перед изменением выходного напряжения необходимо перевести ИБП в режим работы по обходной цепи. Не подключайте свое оборудование к выходу ИБП до установки надлежащих параметров.

9-1 Панель управления схемы соединения выключателей

A Светодиодный индикатор "NORMAL"

B Светодиодный индикатор "BATTERY"

C Светодиодный индикатор "BYPASS"

D Светодиодный индикатор "FAULT"

E ЖК-экран статуса

F Кнопка "ESC" (Выход)

G Кнопки прокрутки (▲ и ▼)

H Кнопка ввода (←|)

I Кнопка ON (ВКЛ)

J Кнопка OFF (ВЫКЛ)

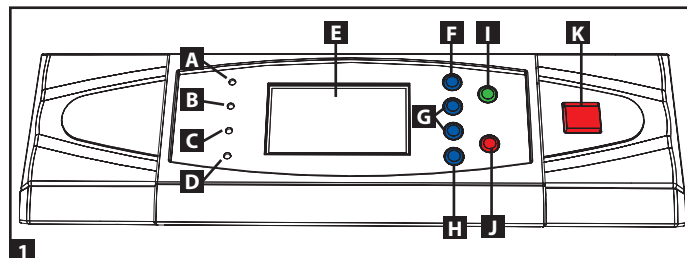
K Кнопка "EPO" (Аварийное отключение питания)

Q1 Главный входной автоматический выключатель

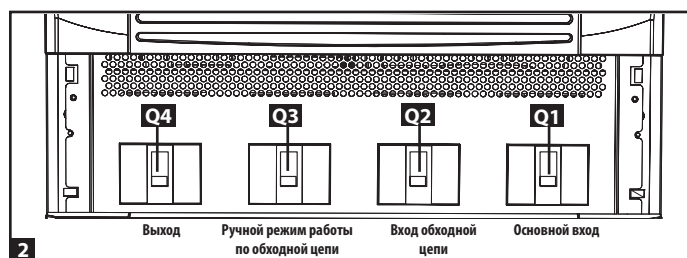
Q2 Автоматический выключатель на входе обходной цепи

Q3 Ручной выключатель обходной цепи

Q4 Выходной автоматический выключатель



Панель управления



Автоматические выключатели (передняя панель ИБП)

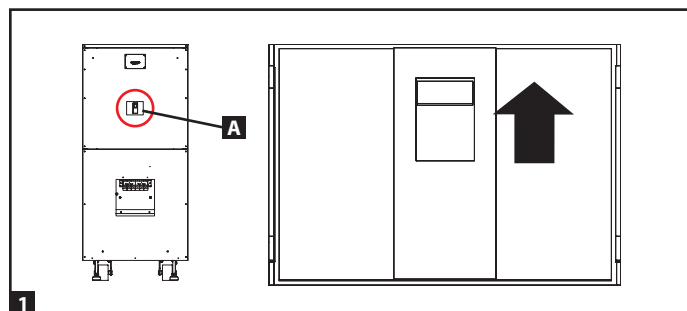
9-2 Ориентировочный перечень контрольных операций (при использовании одного ИБП)

- Все автоматические выключатели, в т.ч. выключатель внешнего батарейного шкафа (при наличии такового), должны находиться в выключенном состоянии.
- Убедитесь в отсутствии электрического потенциала между нулевым и заземляющим контактами.
- Убедитесь в том, что параметры входного источника питания соответствуют номинальным параметрам (напряжению, частоте и количеству фаз) ИБП.

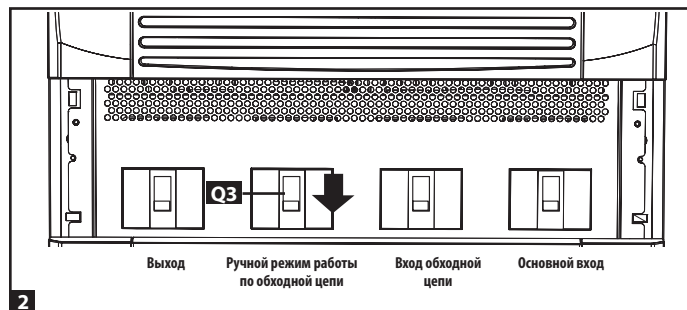
Примечание. После начального запуска ИБП производит короткий внутренний тест с отображением его результатов на ЖК-экране. После успешного прохождения внутреннего теста ИБП будет обеспечивать подачу электропитания переменного тока к подключенному оборудованию.

9-3 Типовая процедура начального запуска (при использовании одного ИБП)

1 При наличии подключенного внешнего батарейного шкафа переведите автоматический выключатель **A** внешнего батарейного шкафа в положение "вкл". При использовании ИБП модели SU20KX или SU40KX переведите выключатель на задней панели ИБП в положение "вкл".



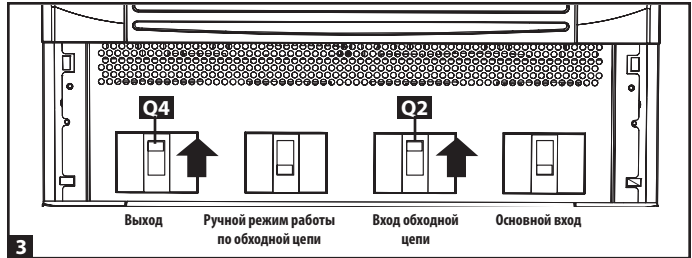
2 Убедитесь в том, что ручной выключатель обходной цепи **Q3** находится в выключенном состоянии.



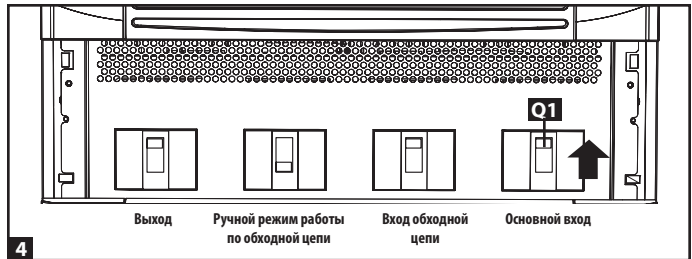
9 – Начальный запуск, отключение и переключение на обходную цепь (продолжение)

9-3 Типовая процедура начального запуска (при использовании одного ИБП) (продолжение)

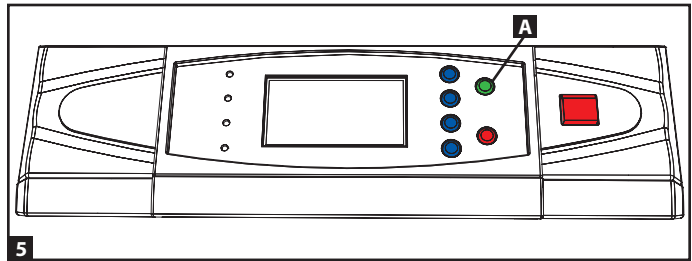
3 Переведите входной автоматический выключатель обходной линии **Q2**, а затем выходной автоматический выключатель **Q4** в положение "вкл". По завершении короткого процесса инициализации на ЖК-экран выводится сообщение "ON AUTO BYPASS", загорается светодиодный индикатор "BYPASS", и питание на выход ИБП подается с обходного (резервного) источника питания.



4 Переведите главный входной автоматический выключатель **Q1** в положение "вкл". При нормальном функционировании входного источника питания ИБП готов к начальному запуску.



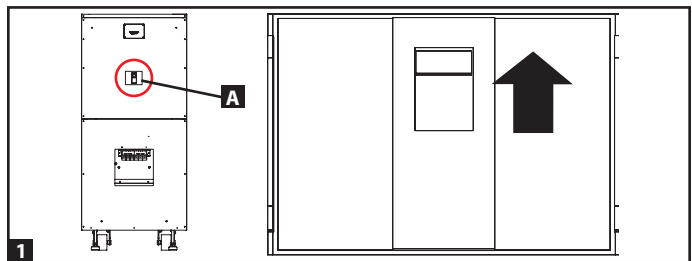
5 Нажмите кнопку ON **A** и удерживайте ее в течение 3 секунд (до срабатывания зуммера), после чего отпустите кнопку. В результате этого включается преобразователь, который сначала синхронизируется с обходным источником, а затем автоматически переключается из режима работы по обходной цепи (резервного режима) в режим онлайн (нормальный режим). При этом СИД "BYPASS" гаснет, а СИД "NORMAL" загорается.



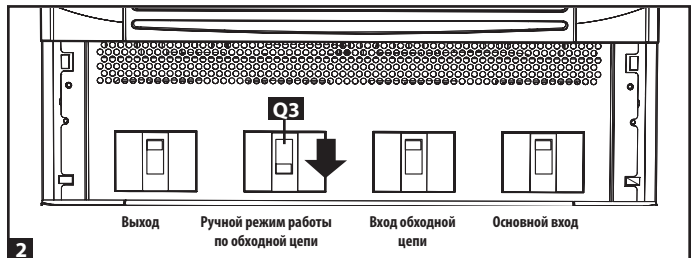
9-3 Процедура начального запуска батареи (при использовании одного ИБП)

Примечание. Для успешного выполнения данной операции батарея должна быть по меньшей мере частично заряжена.

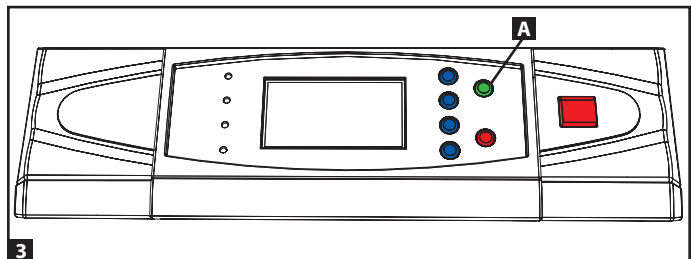
1 При наличии подключенного внешнего батарейного шкафа переведите автоматический выключатель **A** внешнего батарейного шкафа в положение "вкл". При использовании ИБП модели SU20KX или SU40KX переведите выключатель на задней панели ИБП в положение "вкл".



2 Убедитесь в том, что ручной выключатель обходной цепи **Q3** находится в выключенном состоянии.



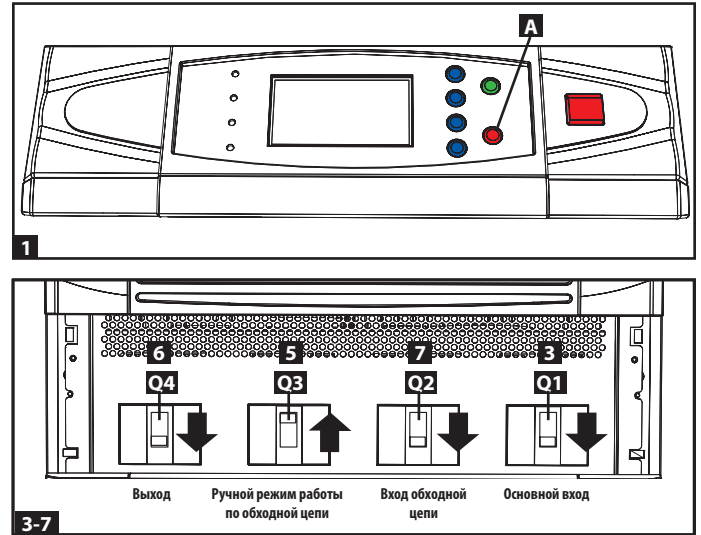
3 Нажмите кнопку ON **A** и удерживайте ее в течение 3 секунд (до срабатывания зуммера), после чего отпустите кнопку. В результате этого включается преобразователь, который использует электроэнергию, накопленную батареей постоянного тока, для подачи электропитания переменного тока к подключенному оборудованию. При этом загорается светодиодный индикатор "BATTERY".



9-5 Процедура переключения в ручной режим работы по обходной цепи (при использовании одного ИБП)

Предупреждение. При переходе ИБП в ручной режим работы по обходной цепи происходит отключение преобразователя, а электропитание всех потребителей осуществляется от обходного (резервного) источника питания с ручным управлением, но сам ИБП при этом остается запитанным. Перед проведением технического обслуживания или ремонта ИБП его необходимо полностью отключить и обесточить в соответствии с порядком действий, представленным в разделе 9-6. Несмотря на то что подключенные элементы оборудования будут запитываться от обходного (резервного) источника питания, они не будут получать резервное питание от батареи в случае отключения сетевого электричества.

- 1** При работе ИБП в нормальном режиме (включенном СИД зеленого цвета и наличии на ЖК-экране сообщения "Load Protected – On Line Mode" ("Нагрузка защищена – режим онлайн")) следует отключить преобразователь путем нажатия и удержания кнопки **A** OFF ("0") красного цвета до момента срабатывания зуммера ИБП, а затем отпустить эту кнопку и ответить "YES" ("ДА") на вопрос "Transfer to Bypass Mode?" ("Переключиться в режим работы по обходной цепи?"). После этого ИБП должен перейти в режим работы по обходной цепи.
- 2** Убедитесь в том, что ИБП находится в режиме работы по обходной цепи (при этом должен гореть СИД желтого цвета "Bypass"; а на ЖК-экране выведено сообщение "Load Unprotected – On Auto Bypass" ("Нагрузка не защищена – включен режим автоматической работы по обходной цепи")). Не производите дальнейшие действия в том случае, если ИБП не находится в режиме работы по обходной цепи.
- 3** Переведите автоматический выключатель MAIN INPUT в положение OFF (ВЫКЛ) **Q1**.
- 4** Дождитесь отключения вентиляторов силового модуля (это может занять от одной до двух минут), а затем переведите автоматический выключатель BATTERY BREAKER в положение OFF (ВЫКЛ). В устройстве модели 40K автоматический выключатель BATTERY BREAKER (предназначенный для управления внутренней батареей) располагается на задней панели ИБП; в устройствах моделей 60K и 80K автоматический выключатель BATTERY BREAKER располагается на задней панели соответствующего батарейного шкафа. *Примечание.* В некоторых моделях внешних батарейных шкафов автоматический выключатель BATTERY BREAKER может находиться за передней дверцей или в каком-либо ином месте.
- 5** Переведите выключатель MANUAL BYPASS в положение ON (ВКЛ) **Q3**. На ЖК-экран будет выведено сообщение "Load Unprotected – On Manual Bypass" ("Нагрузка не защищена – включен режим ручной работы по обходной цепи"), и раздастся предупредительный звуковой сигнал.
- 6** Переведите автоматический выключатель OUTPUT в положение OFF (ВЫКЛ) **Q4**.
- 7** Переведите переключатель BYPASS INPUT в положение OFF (ВЫКЛ) **Q2**. Через несколько секунд произойдет очистка ЖК-экрана устройства.
- 8** Теперь поддержка критически важных потребителей обеспечивается за счет сетевого электропитания с нерегулируемыми параметрами.

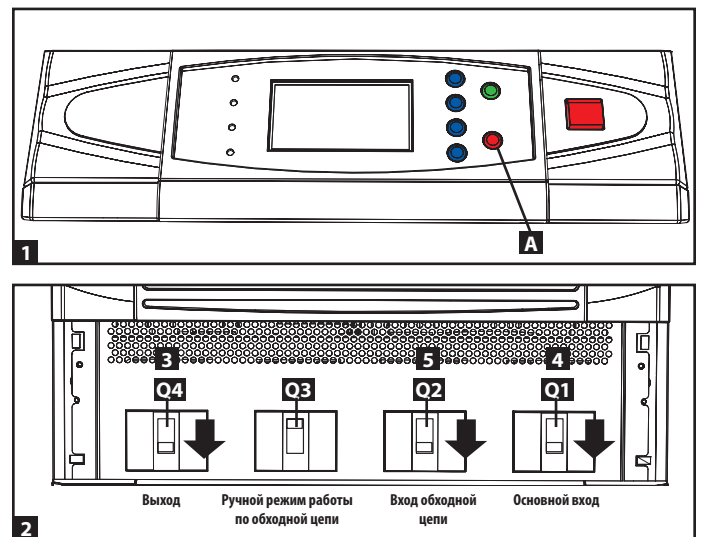


9-6 Процедура отключения (при использовании одного ИБП)

Предупреждение. В результате процедуры отключения ИБП подача на выход электропитания переменного тока для всех потребителей прекращается. Перед отключением убедитесь в том, что все потребители выключены, или переведите ИБП в режим ручной работы по обходной цепи для обеспечения электропитания потребителей от резервного (обходного) источника питания.

- 1** При работе ИБП в нормальном режиме (включенном СИД зеленого цвета и наличии на ЖК-экране сообщения "Load Protected – On Line Mode" ("Нагрузка защищена – режим онлайн")) следует отключить преобразователь путем нажатия и удержания кнопки OFF ("0") красного цвета до момента срабатывания зуммера ИБП, а затем отпустить эту кнопку **A**. После этого ИБП должен перейти в режим работы по обходной цепи.
- 2** Убедитесь в том, что ИБП находится в режиме работы по обходной цепи (при этом должен гореть СИД желтого цвета "Bypass"; а на ЖК-экране выведено сообщение "Load Unprotected – On Auto Bypass" ("Нагрузка не защищена – включен режим автоматической работы по обходной цепи")). Не производите дальнейшие действия в том случае, если ИБП не находится в режиме работы по обходной цепи.
- 3** Переведите автоматический выключатель OUTPUT в положение OFF (ВЫКЛ) **Q4**.
- 4** Переведите автоматический выключатель BYPASS INPUT в положение OFF (ВЫКЛ) **Q1**.
- 5** Переведите автоматический выключатель BYPASS UNIT в положение OFF (ВЫКЛ) **Q2**.
- 6** Дождитесь отключения питания вентиляторов силового модуля и очистки ЖК-экрана (это может занять от одной до двух минут), после чего переведите автоматический выключатель BATTERY BREAKER в положение OFF (ВЫКЛ) (на устройствах моделей SU20KX и SU40KX автоматический выключатель BATTERY BREAKER располагается на задней панели ИБП; на устройствах моделей SU60KX и SU80KX автоматический выключатель BATTERY BREAKER располагается на задней панели батарейного шкафа).

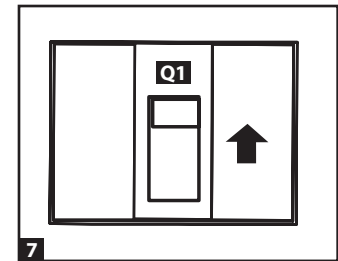
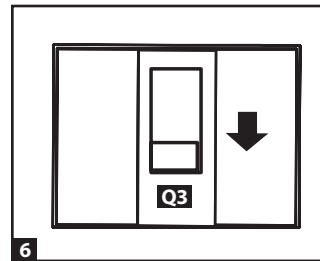
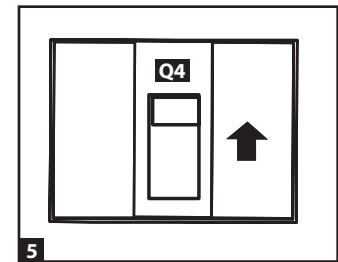
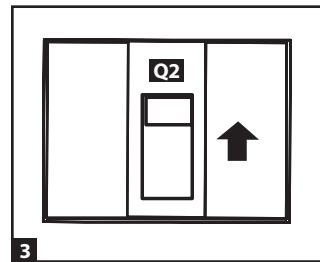
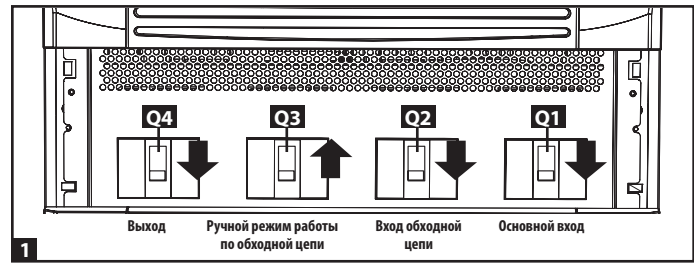
Примечание. В случае нахождения ИБП в выключенном состоянии на протяжении увеличенного периода времени его следует периодически включать с целью обеспечения возможности подзарядки батарей. ИБП должен включаться с целью подзарядки батарей не менее чем на 24 часа непрерывной работы каждые 3 месяца. Невыполнение требования относительно периодической подзарядки батарей может нанести им необратимый вред.



9-6 Процедура отключения (при использовании одного ИБП) (продолжение)

Для перевода критически важных нагрузок из НОРМАЛЬНОГО режима в режим ручной работы по обходной цепи:

- 1** Убедитесь в том, что ИБП находится в режиме ручной работы по обходной цепи MANUAL BYPASS (выключатель MANUAL BYPASS **Q3** находится в положении ON (ВКЛ), а выключатели OUTPUT **Q4**, BYPASS INPUT **Q2** и MAIN INPUT **Q1** – в положении OFF (ВЫКЛ).
- 2** Переведите автоматический выключатель BATTERY BREAKER в положение ON (ВКЛ) (на устройствах моделей SU20KX и SU40KX автоматический выключатель BATTERY BREAKER располагается на задней панели ИБП; на устройствах моделей SU60KX и SU80KX автоматический выключатель BATTERY BREAKER располагается на задней панели батарейного шкафа).
- 3** Переведите автоматический выключатель BYPASS INPUT в положение ON (ВКЛ) **Q2** (при этом должен загореться СИД желтого цвета Bypass, а на ЖК-экран выводится сообщение "Load Unprotected-On Manual Bypass" ("Нагрузка не защищена - Режим ручной работы по обходной цепи")).
- 4** Убедитесь в том, что СИД желтого цвета BYPASS горит. Не производите дальнейшие действия в том случае, если он не горит.
- 5** Переведите автоматический выключатель OUTPUT в положение ON (ВКЛ) **Q4**.
- 6** Переведите выключатель MANUAL BYPASS в положение OFF (ВЫКЛ) **Q3**. На ЖК-экран выводится сообщение "Load Unprotected-On Auto Bypass" ("Нагрузка не защищена - Режим автоматической работы по обходной цепи").
- 7** Переведите автоматический выключатель MAIN INPUT в положение ON (ВКЛ) **Q1**. После этого включаются вентиляторы силового модуля.
- 8** Нажмите кнопку ON зеленого цвета и удерживайте ее до срабатывания зуммера ИБП, после чего отпустите кнопку. ИБП произведет внутренний тест, а на ЖК-экране появится сообщение "Self Diagnosis" ("Самодиагностика"). После завершения внутреннего теста ИБП последний переходит в НОРМАЛЬНЫЙ режим (загорается СИД зеленого цвета, а на ЖК-экране появляется сообщение "Load Protected-On Line Mode" ("Нагрузка защищена - режим онлайн")).
- 9** Убедитесь в отсутствии активных предупредительных сигналов (значок "!" на дисплее, сопровождающийся звуковым сигналом). При наличии какого-либо предупредительного сигнала выведите активный сигнал на дисплей нажатием стрелок вверх или вниз. Внесите необходимые корректировки в работу устройства.
- 10** Пролитайте меню измерений и убедитесь в том, что все входные и выходные параметры электропитания находятся в рекомендуемых пределах.
- 11** В случае выявления каких-либо проблем обратитесь за помощью в службу технической поддержки.
- 12** Теперь поддержка критически важных потребителей обеспечивается за счет резервного электропитания от батареи с контролируруемыми параметрами.



9-7 Ориентировочный перечень контрольных операций (при использовании параллельно подключенных ИБП)

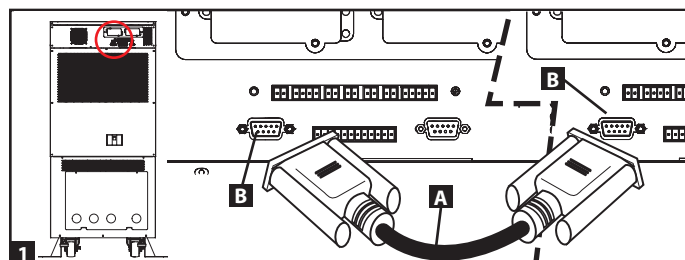
Предупреждение. Для параллельного подключения требуются два ИБП (1+1 в качестве резервного или дополнительной емкости). Не пытайтесь связывать между собой более двух ИБП посредством параллельного подключения. Для параллельной установки следует использовать ИБП одинакового номинала и емкости. Связывание между собой различных ИБП приведет к их повреждению и создаст серьезную угрозу травмы или имущественного ущерба.

- Все автоматические выключатели, в т.ч. выключатели внешних батарейных шкафов, должны находиться в выключенном состоянии.
- Убедитесь в отсутствии электрического потенциала между нулевым и заземляющим контактами.
- Убедитесь в том, что параметры входного источника питания соответствуют номинальным параметрам (напряжению, частоте и количеству фаз) ИБП.
- Каждый ИБП должен иметь свой "параллельный идентификатор", указывающий на то, что данные ИБП работают параллельно. Более подробную информацию см. в разделе 10-5-5.

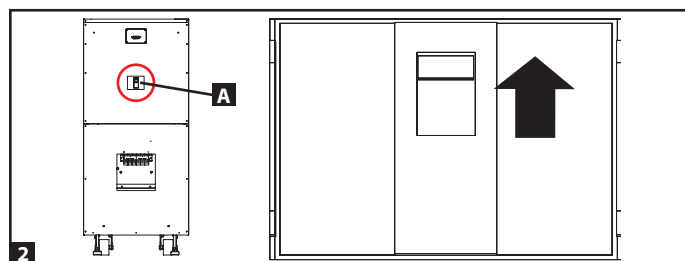
Примечание. После начального запуска ИБП производят короткий внутренний тест с отображением его результатов на ЖК-экране. После успешного прохождения внутреннего теста ИБП будут обеспечивать подачу электропитания переменного тока к подключенному оборудованию.

9-8 Процедура начального запуска (при использовании параллельно подключенных ИБП)

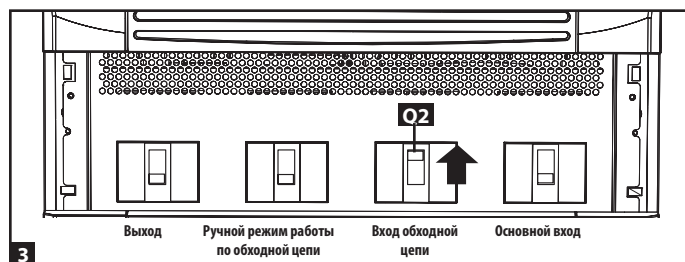
1 Вставьте разъемы кабеля для параллельного включения **A** в порты параллельного соединения DV9 **B** каждого ИБП. *Примечание. Перед начальным запуском параллельно подключенных ИБП убедитесь в том, что каждый ИБП имеет свой "параллельный идентификатор" и что группа параллельно подключенных ИБП находится в состоянии готовности. (Более подробную информацию см. в разделе 10-5-5).*



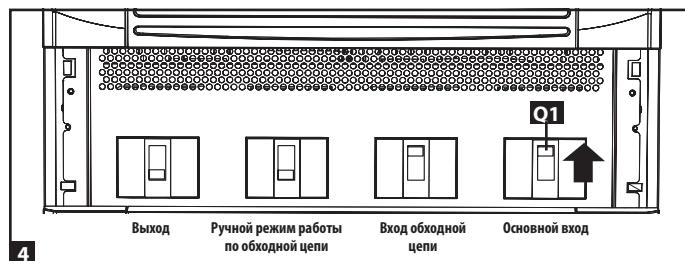
2 Если ИБП имеют подключенные внешние батарейные шкафы, переведите автоматический выключатель внешнего батарейного шкафа **A** каждого блока аккумуляторных батарей в положение "вкл.". При использовании ИБП модели SU20KX или SU40KX переведите выключатель на задней панели ИБП в положение "ВКЛ".



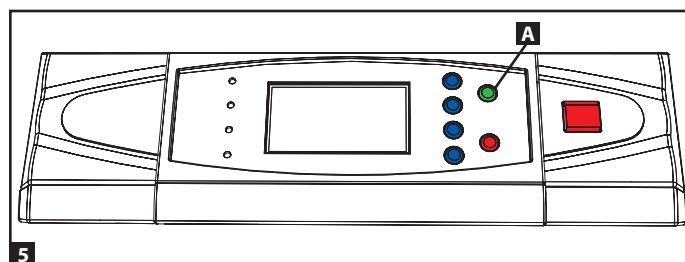
3 Переведите входной автоматический выключатель обходной цепи **Q2** каждого ИБП в положение "вкл.". По завершении короткого процесса инициализации на ЖК-экран выводится сообщение "ON AUTO BYPASS" и загорается светодиодный индикатор "BYPASS".



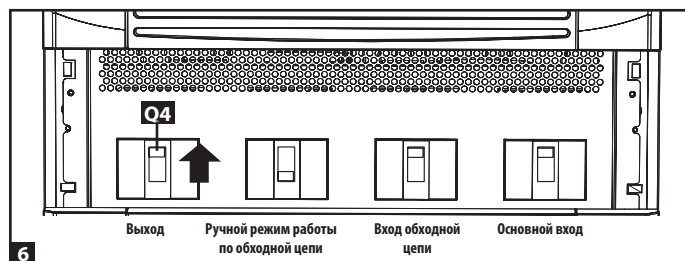
4 Переведите главный входной автоматический выключатель **Q1** каждого ИБП в положение "вкл.".



5 Нажмите кнопку ON **A** одного из ИБП и удерживайте ее в течение 3 секунд (до срабатывания зуммера), после чего отпустите кнопку. В результате этого включается преобразователь, который синхронизируется с обходным источником. Нажмите кнопку ON другого ИБП и удерживайте ее в течение 3 секунд (до срабатывания зуммера), после чего отпустите кнопку. При нормальной работе преобразователя каждого ИБП они одновременно автоматически переключаются из режима автоматической работы по обходной цепи (резервного режима) в режим онлайн (нормальный режим). При этом СИД "BYPASS" гаснет, а СИД "NORMAL" загорается.



6 Проверьте выходное напряжение каждого ИБП. Расхождение значений напряжения фаз между ИБП должно быть менее 5 В. Если расхождение значений напряжения фаз находится в приемлемом диапазоне, переведите выходной автоматический выключатель **Q4** каждого ИБП в положение "вкл.". *Примечание. Более подробную информацию о проверке выходного напряжения каждого ИБП см. в разделе 10-4.*



9-9 Процедура отключения (при использовании параллельно подключенных ИБП)

Предупреждение. В результате процедуры отключения ИБП подача на выход электропитания переменного тока для всех потребителей прекращается. Перед отключением убедитесь в том, что все потребители выключены, или переведите ИБП в режим ручной работы по обходной цепи для обеспечения электропитания потребителей от резервного (обходного) источника питания.

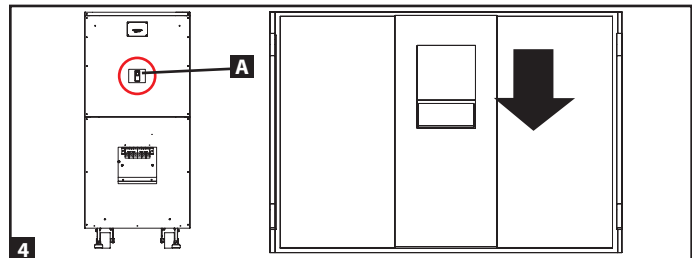
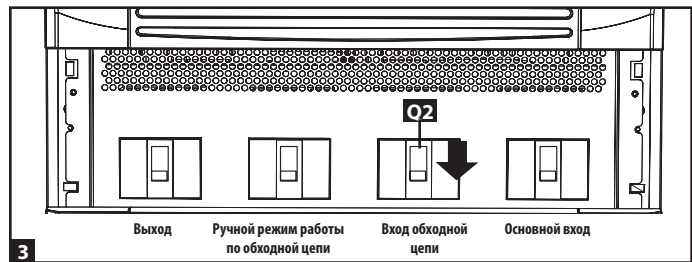
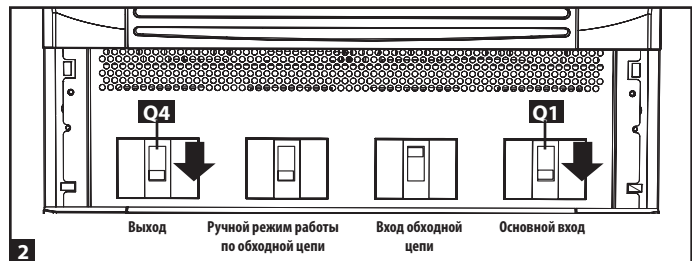
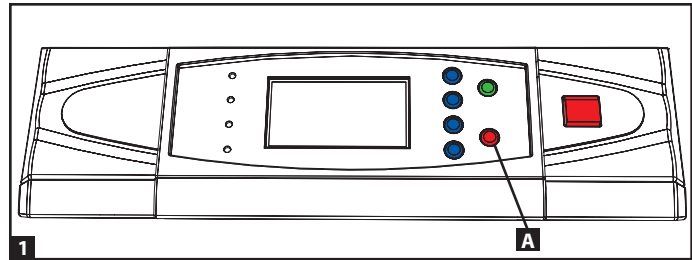
1 Нажмите кнопку OFF того ИБП, который хотите отключить **A**, и удерживайте ее в течение 3 секунд (до момента срабатывания зуммера), после чего отпустите кнопку. Если другой ИБП может поддерживать подключенных потребителей самостоятельно, то отключенный ИБП выключает свой преобразователь, а на его ЖК-экране появляется сообщение "LOAD NOT POWERED" ("ПОТРЕБИТЕЛЬ НЕ ЗАПИТАН"). При этом на ЖК-экран другого ИБП выводится сообщение "ONLINE MODE" ("РЕЖИМ ОНЛАЙН"). Если суммарная нагрузка, создаваемая подключенным оборудованием, слишком велика для одного ИБП, то оба ИБП выключают свои преобразователи и переключаются в режим работы по обходной цепи, а на их ЖК-экраны выводится сообщение "ON AUTO BYPASS" ("РЕЖИМ АВТОМАТИЧЕСКОЙ РАБОТЫ ПО ОБХОДНОЙ ЦЕПИ").

2 Переведите в положение "выкл." главный входной автоматический выключатель того ИБП, который хотите отключить **Q1**, а затем переведите в положение "выкл." выходной автоматический выключатель **Q4**.

3 Переведите в положение "выкл." входной автоматический выключатель обходной цепи того ИБП, который хотите отключить **Q2**.

4 После полного отключения ИБП ЖК-экран полностью гаснет. Если ИБП имеют подключенные внешние батарейные шкафы, переведите автоматический выключатель внешнего батарейного шкафа **A** каждого блока аккумуляторных батарей в положение "выкл.". При использовании ИБП модели SU20KX или SU40KX переведите выключатель на задней панели ИБП в положение "ВЫКЛ".

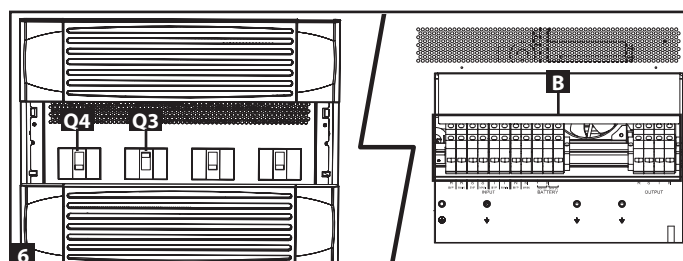
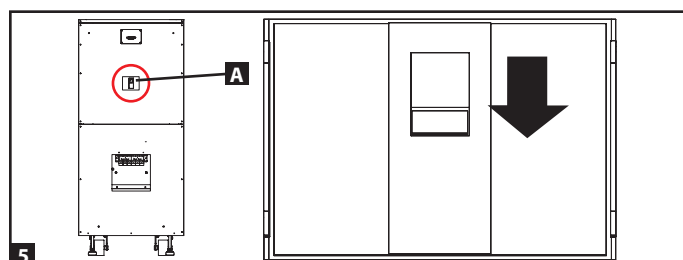
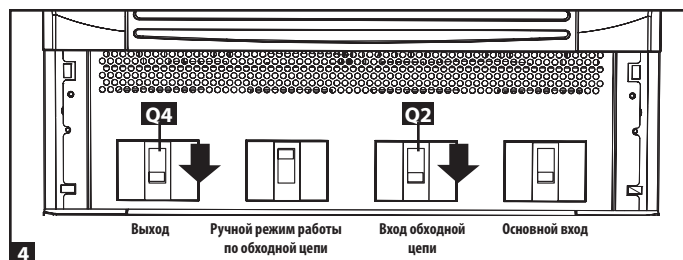
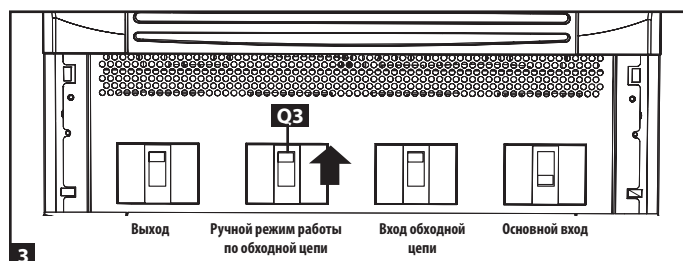
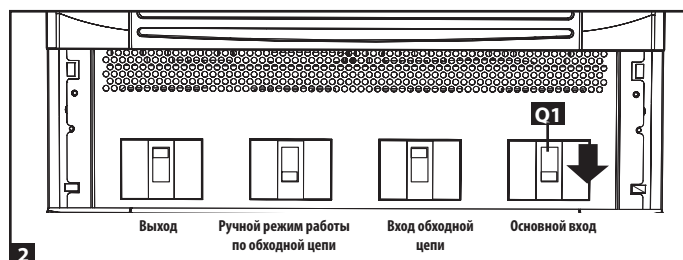
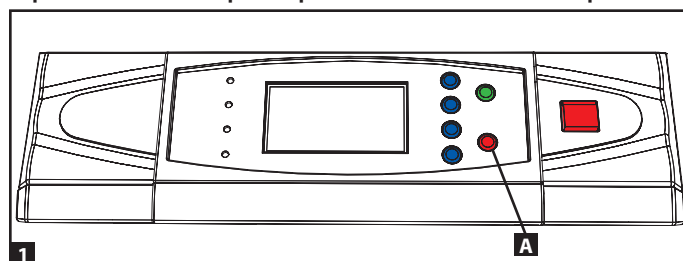
Примечание. В случае нахождения ИБП в выключенном состоянии на протяжении увеличенного периода времени его следует периодически включать с целью обеспечения возможности подзарядки батарей. ИБП должен включаться с целью подзарядки батарей не менее чем на 24 часа непрерывной работы каждые 3 месяца. Невыполнение требования относительно периодической подзарядки батарей может нанести им необратимый вред.



9-10 Процедура переключения в ручной режим работы по обходной цепи (при использовании параллельно подключенных ИБП)

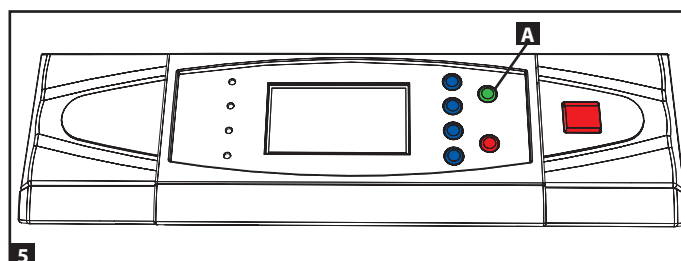
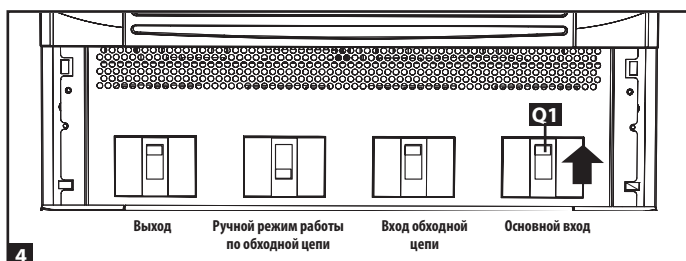
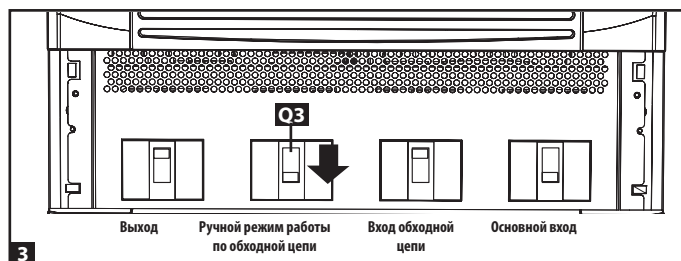
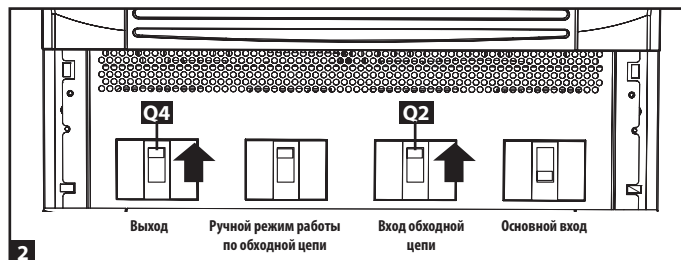
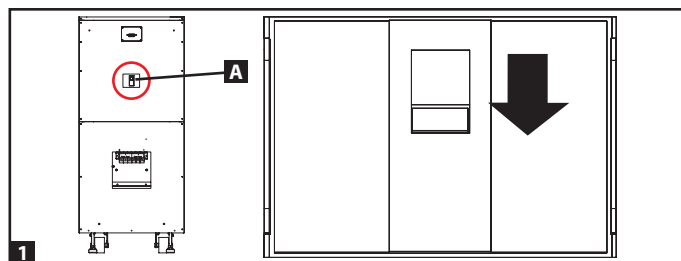
Предупреждение. При переходе ИБП в режим ручной работы по обходной цепи его преобразователь отключается. Подключенные элементы оборудования запитываются от обходного (резервного) источника питания и не будут получать резервное питание от батареи во время отключения сетевого электричества.

- 1 Нажмите кнопку OFF первого ИБП, который хотите отключить **A**, и удерживайте ее в течение 3 секунд (до момента срабатывания зуммера), после чего отпустите кнопку. Если другой ИБП может поддерживать подключенных потребителей самостоятельно, то отключенный ИБП выключает свой преобразователь, а на его ЖК-экране появляется сообщение "LOAD NOT POWERED" ("ПОТРЕБИТЕЛЬ НЕ ЗАПИТАН"). При этом на ЖК-экран другого ИБП выводится сообщение "ONLINE MODE" ("РЕЖИМ ОНЛАЙН"). Если суммарная нагрузка, создаваемая подключенным оборудованием, слишком велика для одного ИБП, то оба ИБП выключают свои преобразователи и переключаются в режим работы по обходной цепи, а на их ЖК-экраны выводится сообщение "ON AUTO BYPASS" ("РЕЖИМ АВТОМАТИЧЕСКОЙ РАБОТЫ ПО ОБХОДНОЙ ЦЕПИ"). Повторите шаг 1 для второго ИБП, который хотите отключить.
- 2 Переведите главный входной автоматический выключатель **Q1** каждого ИБП в положение "выкл."
- 3 Убедитесь в том, что оба ИБП отключены, а затем переведите в положение "вкл." входной выключатель ручной работы по обходной цепи **Q3** каждого ИБП. Потребители будут запитаны от обходного (резервного) источника питания, а на ЖК-экране появится сообщение "ON MANUAL BYPASS" ("РЕЖИМ РУЧНОЙ РАБОТЫ ПО ОБХОДНОЙ ЦЕПИ").
- 4 Переведите входной автоматический выключатель обходной линии **Q2**, а затем выходной автоматический выключатель **Q4** каждого ИБП в положение "выкл.". После этого ЖК-экран полностью погаснет.
- 5 Если ИБП имеют подключенные внешние батарейные шкафы, переведите автоматический выключатель внешнего батарейного шкафа **A** каждого блока аккумуляторных батарей в положение "выкл.". При использовании ИБП модели SU20KX или SU40KX переведите выключатель на задней панели ИБП в положение "ВЫКЛ".
- 6 В этом режиме опасное напряжение сохраняется только в управляемом вручную обходном тракте (включая автоматический выключатель перехода на ручную работу по обходной цепи **Q3**), зажимы выходного автоматического выключателя для подключения нагрузки **Q4** и клеммной колодке **B**, что позволяет квалифицированному сервисному персоналу производить необходимые операции по техническому обслуживанию или ремонту. *Примечание.* В зависимости от местных нормативных требований и характера производимого технического обслуживания или ремонта квалифицированный сервисный персонал может предпочесть полное обесточивание ИБП.



9-11 Переключение из режима ручной работы по обходной цепи в нормальный режим (при использовании параллельно подключенных ИБП)

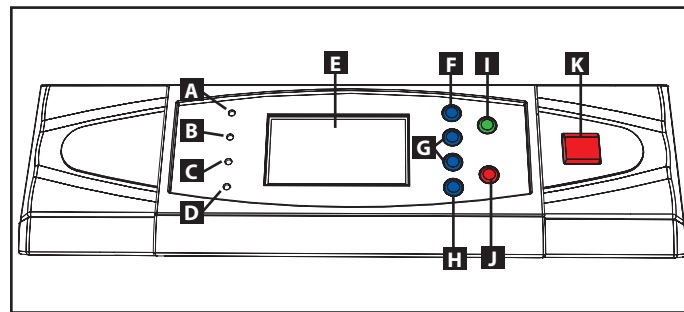
- 1** Если ИБП имеют подключенные внешние батарейные шкафы, переведите автоматический выключатель внешнего батарейного шкафа **A** каждого блока аккумуляторных батарей в положение "выкл.". При использовании ИБП модели SU20KX или SU40KX переведите выключатель на задней панели ИБП в положение "ВЫКЛ".
- 2** Переведите входной автоматический выключатель обходной линии **Q2**, а затем выходной автоматический выключатель **Q4** каждого ИБП в положение "вкл".
- 3** Убедитесь в том, что оба ИБП отключены, а затем переведите в положение "выкл." входной выключатель ручной работы по обходной цепи **Q3** каждого ИБП. На ЖК-экране появится сообщение "ON AUTO BYPASS" ("РЕЖИМ АВТОМАТИЧЕСКОЙ РАБОТЫ ПО ОБХОДНОЙ ЦЕПИ").
- 4** Переведите главный входной автоматический выключатель **Q1** каждого ИБП в положение "вкл".
- 5** Нажмите кнопку ON **A** первого ИБП и удерживайте ее в течение 3 секунд (до срабатывания зуммера), после чего отпустите кнопку. Нажмите кнопку ON второго ИБП и удерживайте ее в течение 3 секунд (до срабатывания зуммера), после чего отпустите кнопку. При нормальной работе преобразователя каждого ИБП они одновременно переключаются в режим онлайн (нормальный режим).



10 – Дисплей и конфигурация

10-1 Схема панели управления

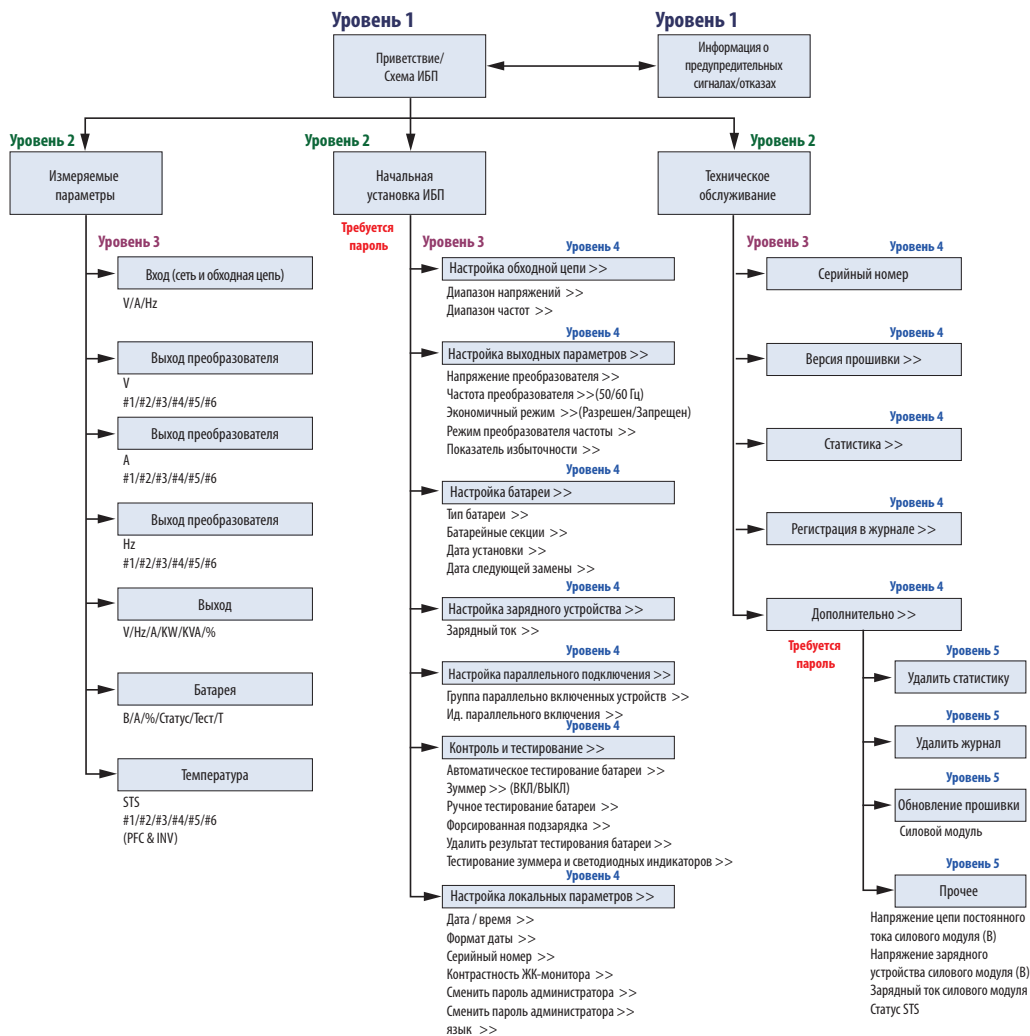
- A** СИД “NORMAL” (зеленый): горит при нормальных параметрах электропитания на входе ИБП.
- B** СИД BATTERY (желтый): горит при работе ИБП в режиме питания от батарей.
- C** СИД BYPASS (желтый): горит при работе ИБП в ручном режиме работы по обходной цепи.
- D** СИД FAULT (красный): горит в случае возникновения любой ошибки.
- E** ЖК-индикация состояния: многоязычная индикация.
- F** Кнопка ESC (Отмена): отмена/страница вверх.
- G** Кнопки прокрутки (▲ и ▼): перемещение курсора прокрутки вверх или вниз.
- H** Кнопка ввода данных (←|): подтверждение настроек.
- I** Кнопка ON: нажать и удерживать в течение 3 секунд для запуска ИБП (включение преобразователя).
- J** Кнопка OFF: нажать и удерживать в течение 3 секунд для выключения ИБП (отключение преобразователя).
- K** Кнопка EPO (аварийное отключение питания): при нажатии кнопки EPO происходит полное отключение электропитания на выходе ИБП.



Панель управления

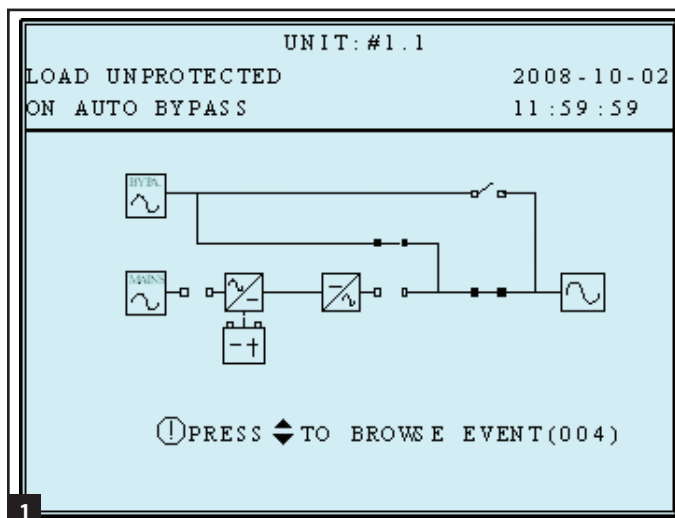
10-2 Иерархическая структура отображения информации

Отличительной особенностью ИБП Tripp Lite серии E3 является наличие удобного для использования ЖК-экрана для показа сообщений и отображения статуса ИБП.

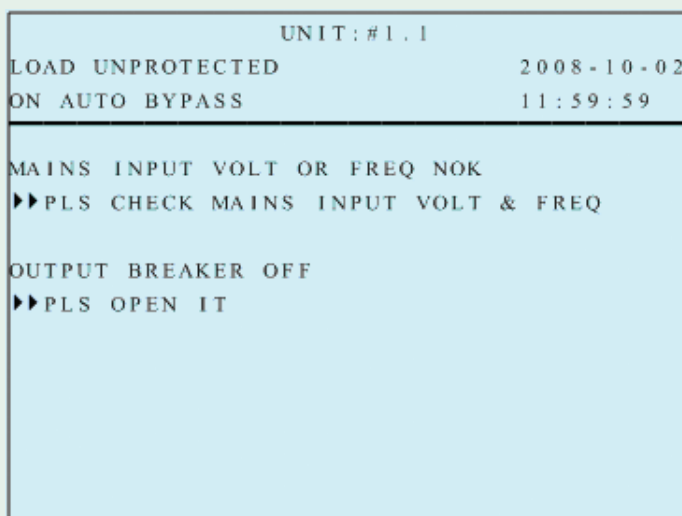


10-3 Сообщения, отображаемые по умолчанию

- 1** После запуска и завершения внутреннего теста ИБП на ЖК-экране статуса отображается индикация по умолчанию. Индикация по умолчанию, включает в себя сообщение о статусе и диаграмму, отображающую состояние готовности ИБП.



При возникновении любого события вы увидите мигающий символ "!". Для просмотра подробной информации можно воспользоваться кнопкой "▼". Например:



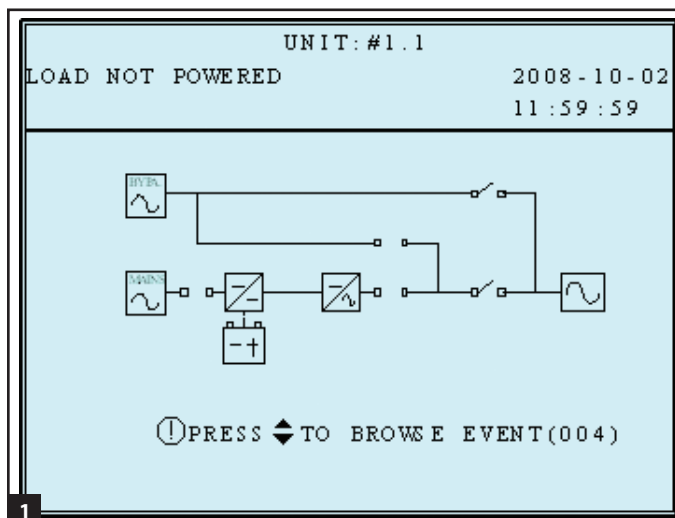
Повторно нажмите кнопку "▼" для перехода к следующему сообщению. При отсутствии непрочитанных сообщений будет отображен начальный экран.

10-3-1 Отображение статуса

- 1** Напряжение на выходе ИБП отсутствует, в связи с чем электропитание на подключенные к нему потребители не подается. Данное состояние может быть результатом автоматического отключения ИБП или ручного выключения выходного автоматического выключателя.

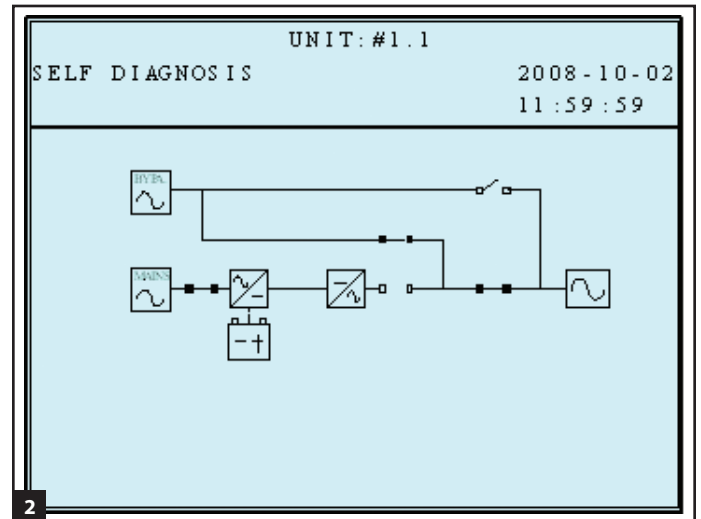
Возможные причины:

- Самопроизвольное автоматическое отключение ИБП.
- Отключение выходного автоматического выключателя вручную.

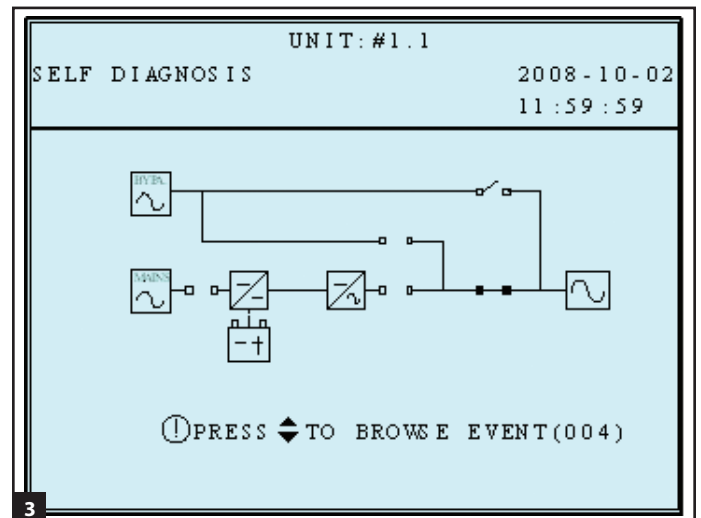


10-3-1 Отображение статуса (продолжение)

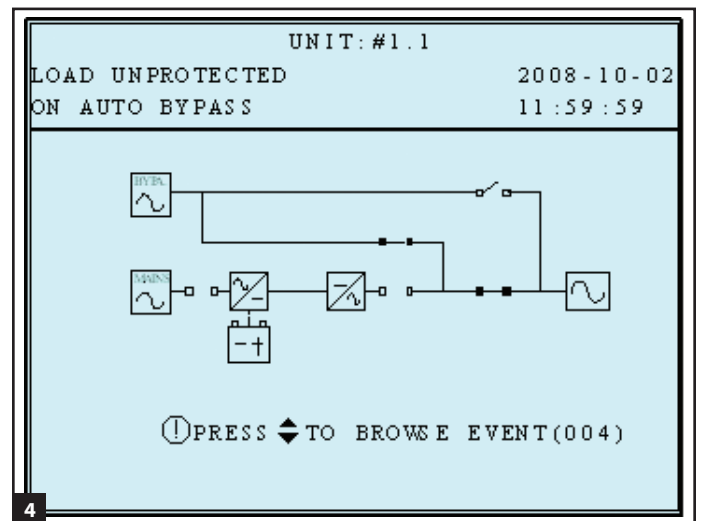
2 Питание потребителей осуществляется от обходного источника из-за первичного запуска ИБП.



3 Запуск ИБП производится за счет питания от батарей.

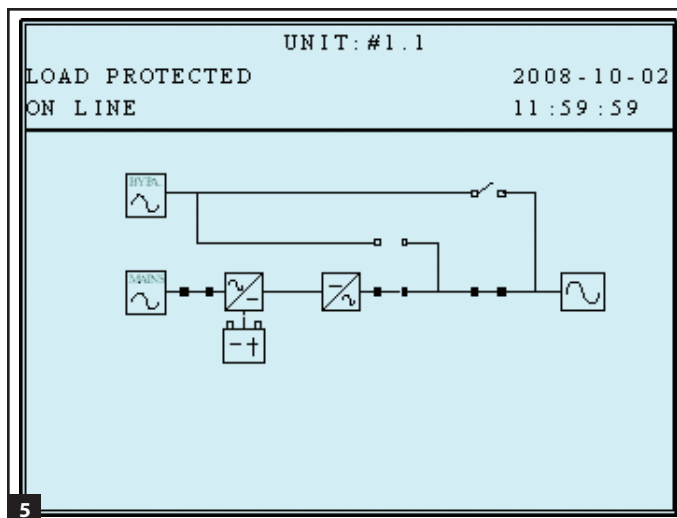


4 ИБП находится в автоматическом режиме работы по обходной цепи. В случае выхода из строя источника питания обходной цепи подключенные потребители останутся без электропитания.

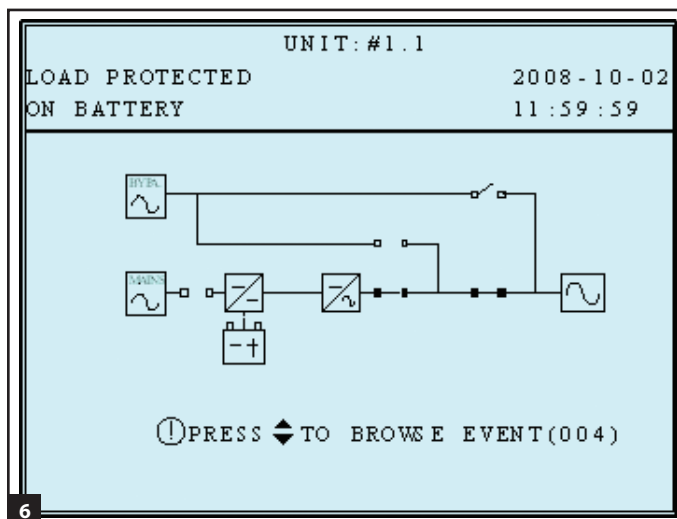


10-3-1 Отображение статуса (продолжение)

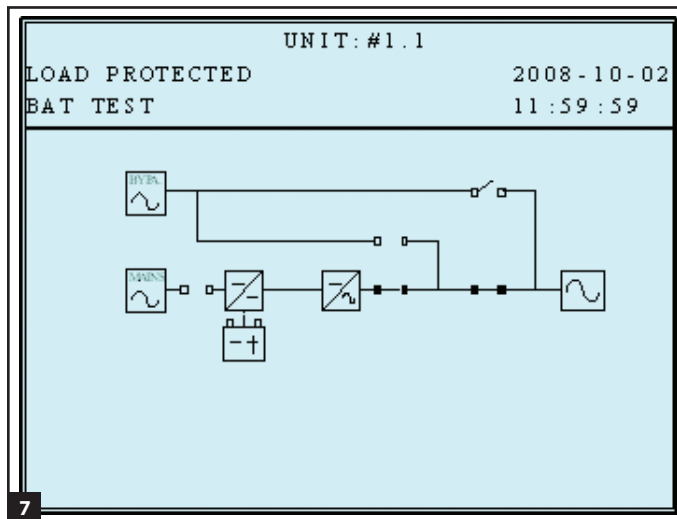
5 ИБП функционирует в режиме онлайн (нормальном режиме). В случае выхода из строя (сетевого или генераторного) источника питания переменного тока подключенные потребители будут питаться от батарей.



6 ИБП функционирует в режиме питания от батарей. Электропитание потребителей осуществляется от батарей.

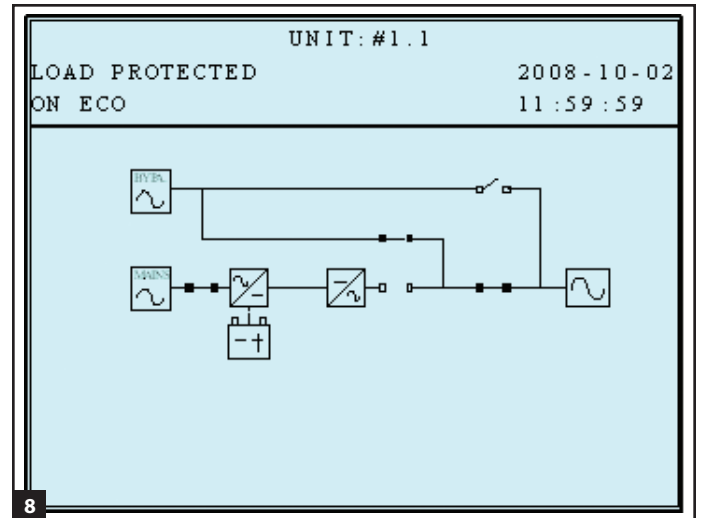


7 ИБП производит "тестирование батарей".

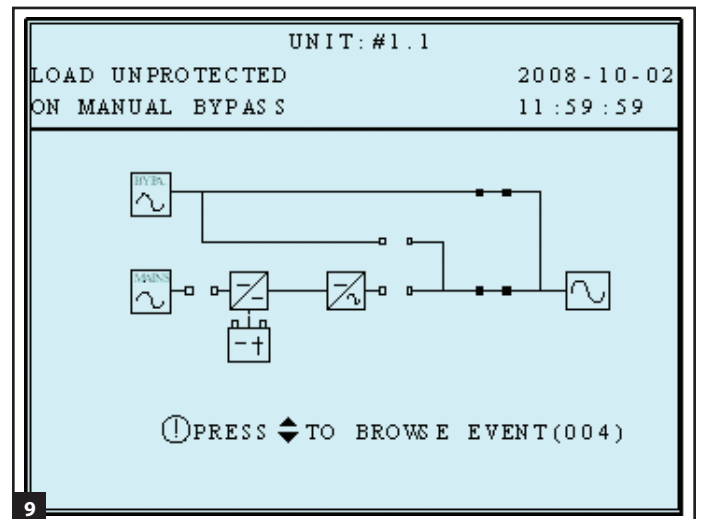


10-3-1 Отображение статуса (продолжение)

8 ИБП функционирует в экономичном режиме, а электропитание подключенных потребителей осуществляется от обходного источника.

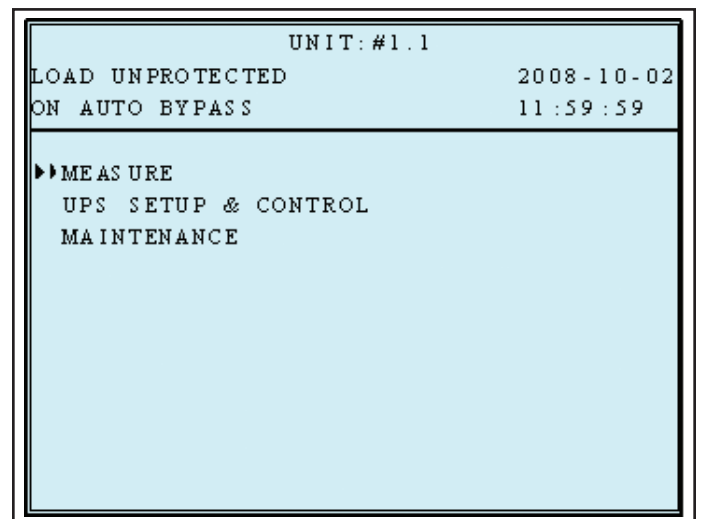


9 ИБП функционирует в режиме ручной работы по обходной цепи с целью обеспечения возможности технического обслуживания ИБП квалифицированным сервисным персоналом. В случае выхода из строя источника питания обходной цепи подключенные потребители останутся без электропитания.



10-4 Главное меню

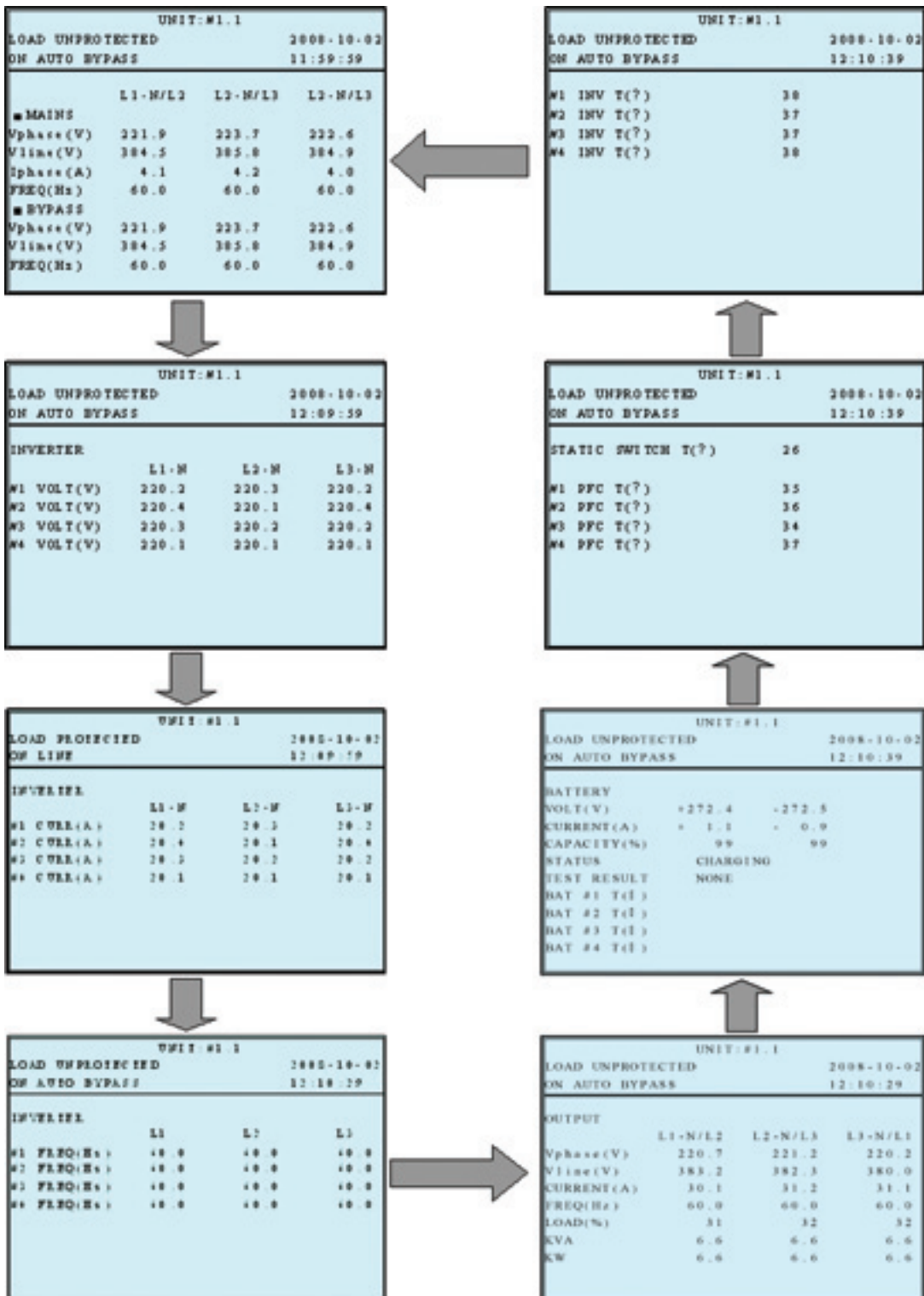
На заданном по умолчанию экране нажмите кнопку ввода данных (←) для перехода в главное меню. Нажмите кнопку прокрутки вниз (▼) или кнопку прокрутки вверх (▲) для перемещения курсора. Нажмите кнопку ввода данных (←) для выбора одной из доступных опций меню.



10-4 Главное меню (продолжение)

"Меню измерений" ИБП

1. Нажмите кнопку ввода данных (←) для выбора опции MEASURE из главного меню.
2. С помощью кнопок прокрутки (▲ или ▼) прокрутите экраны представления данных. Нажмите кнопку **ESC** для возврата в предыдущее меню.



10-5 Начальная установка ИБП

Перед изменением параметров каждой НАЧАЛЬНОЙ УСТАНОВКИ вам потребуется предварительно выполнить вход в систему.

- 1 Для входа в меню начальной установки ИБП требуется пароль. На экране входа в систему нажмите кнопку ввода данных (←) для выбора варианта прав доступа: в качестве администратора или в качестве пользователя.

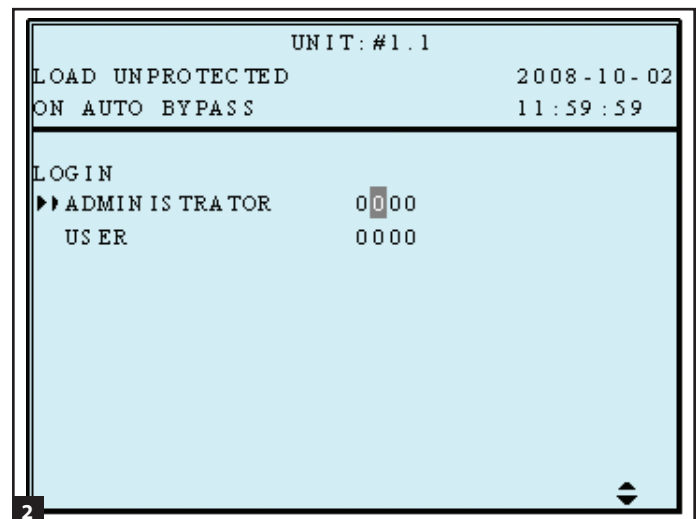
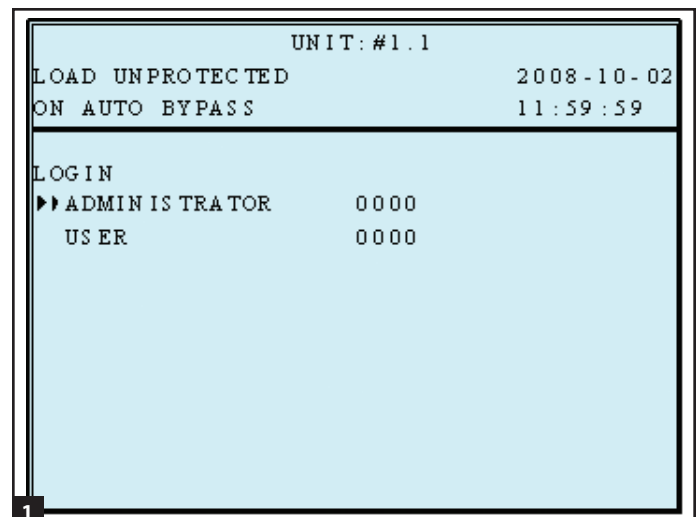
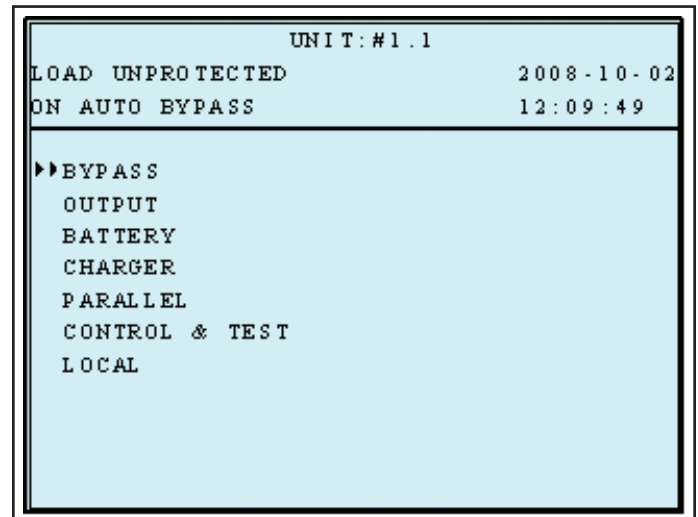
АДМИНИСТРАТОР:

квалифицированный сервисный персонал

Пользователь:

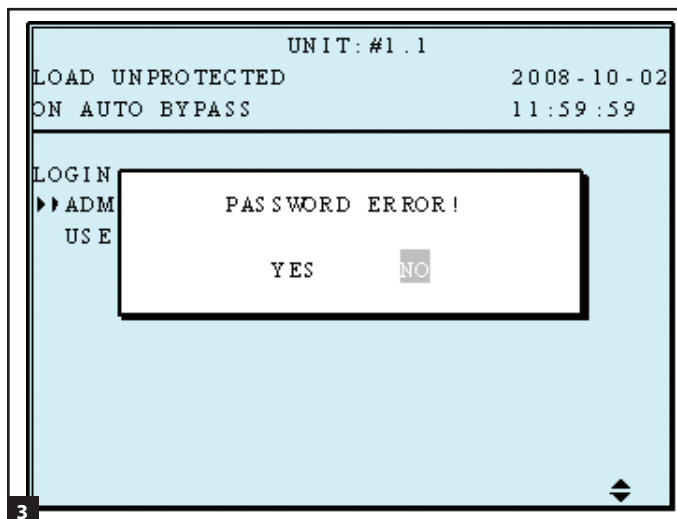
разрешается только контроль параметров без права конфигурирования.

- 2 Пароль состоит из 4 цифр. Нажмите кнопку прокрутки вниз (▼) или кнопку прокрутки вверх (▲) для выбора первой цифры, затем нажмите кнопку ввода данных (←) для ввода выбранной цифры. После ввода последней цифры нажмите кнопку ввода данных (←) для подтверждения выбранного пароля. Паролем пользователя по умолчанию является 0000. Паролем администратора по умолчанию является 0000. Доступ к паролю администратора должен иметь только квалифицированный сервисный персонал.



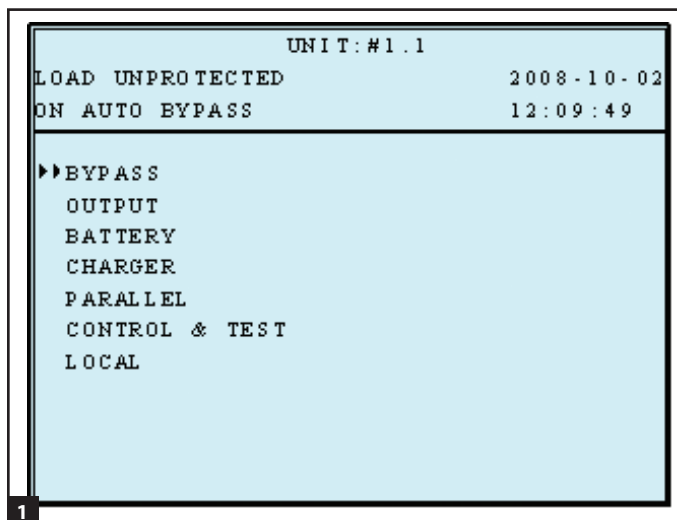
10-5 Начальная установка ИБП (продолжение)

- 3** В случае неверного пароля нажмите "←" для его повторного ввода.

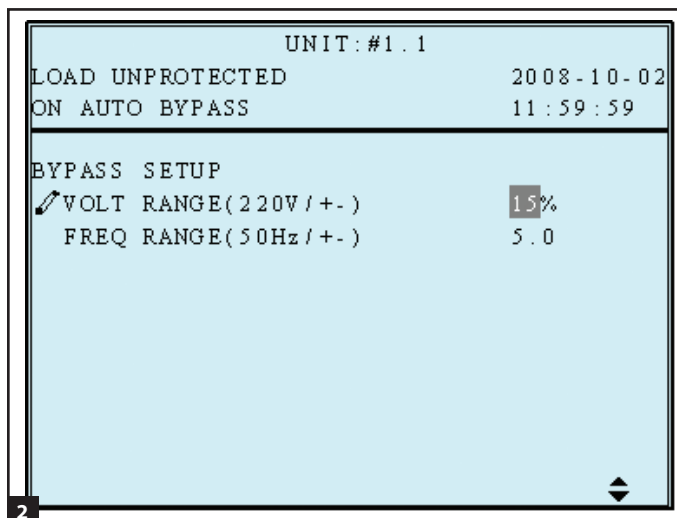


10-5-1 Начальная установка обходной цепи

- 1** Войдите в меню начальной установки ИБП. С помощью кнопок прокрутки (▲, ▼) переместите курсор на опцию BYPASS SETUP, а затем нажмите кнопку ввода данных (←).



- 2** На экране VOLTAGE RANGE с помощью кнопок прокрутки (▲, ▼) выберите диапазон напряжений обходной цепи и нажмите кнопку ввода данных (←) для подтверждения данной настройки.

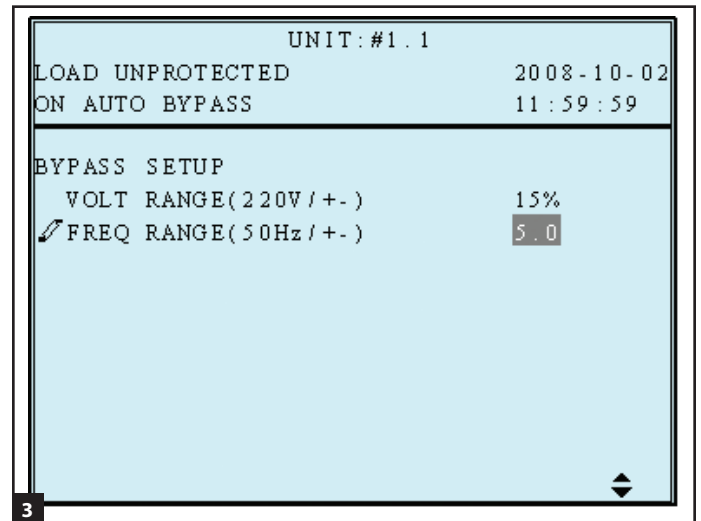


10-5-1 Начальная установка обходной цепи

(продолжение)

- На экране FREQUENCY RANGE с помощью кнопок прокрутки (▲, ▼) выберите диапазон частот обходной цепи и нажмите кнопку ввода данных (←) для подтверждения данной настройки.

Нажмите кнопку **ESC** для возврата в меню **UPS SETUP**.



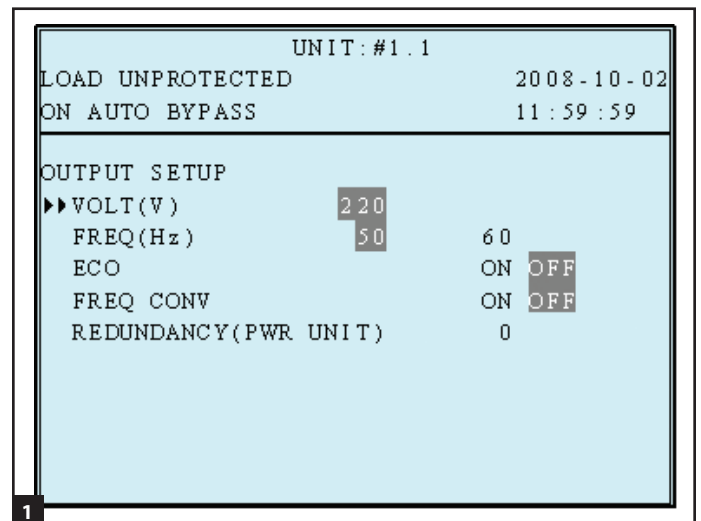
10-5-2 Начальная установка выходных параметров

С помощью кнопок "▲" или "▼" выберите опцию "OUTPUT SETUP", а затем нажмите кнопку "←" для подтверждения.



Все параметры в данном сегменте могут изменяться только при нахождении ИБП в режиме Bypass Mode.

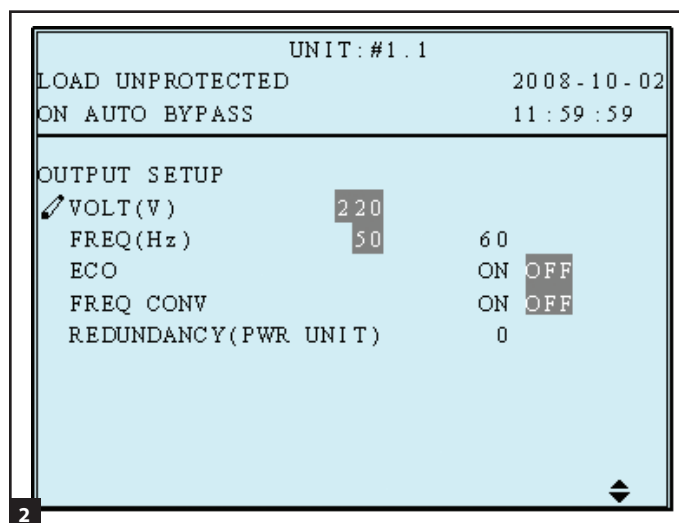
- Войдите в меню начальной установки ИБП. С помощью кнопок прокрутки (▲, ▼) переместите курсор на опцию OUTPUT SETUP, а затем нажмите кнопку ввода данных (←).



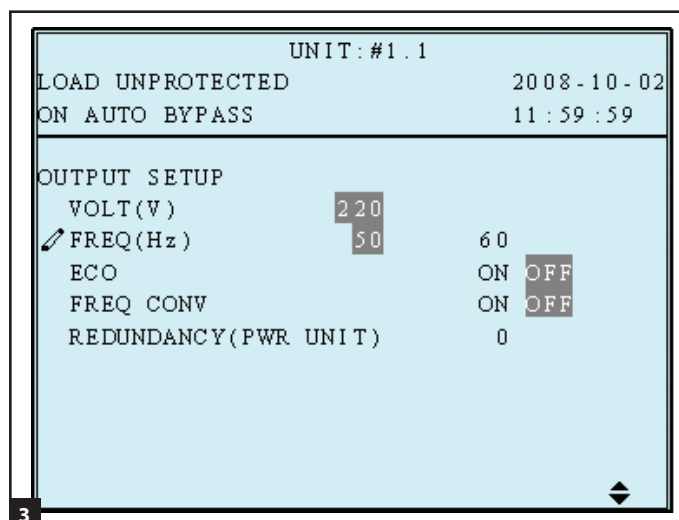
10-5-2 Начальная установка выходных параметров (продолжение)

2 Выходное напряжение

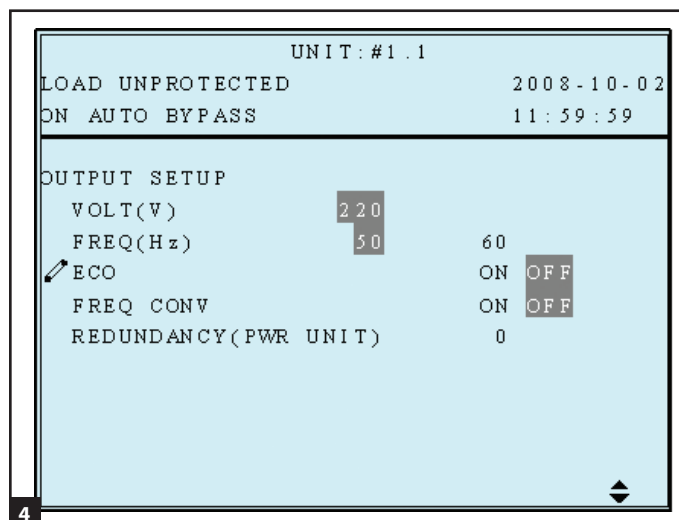
Не меняйте настройку напряжения, установленную по умолчанию, поскольку это негативно отразится на производительности ИБП.



3 На экране FREQUENCY с помощью кнопок прокрутки (▲,▼) выберите желаемую настройку и нажмите кнопку ввода данных (←) для подтверждения данной настройки. *Примечание. Настройка выходной частоты используется только в момент запуска ИБП от батареи или при переключении в режим преобразователя частоты.*

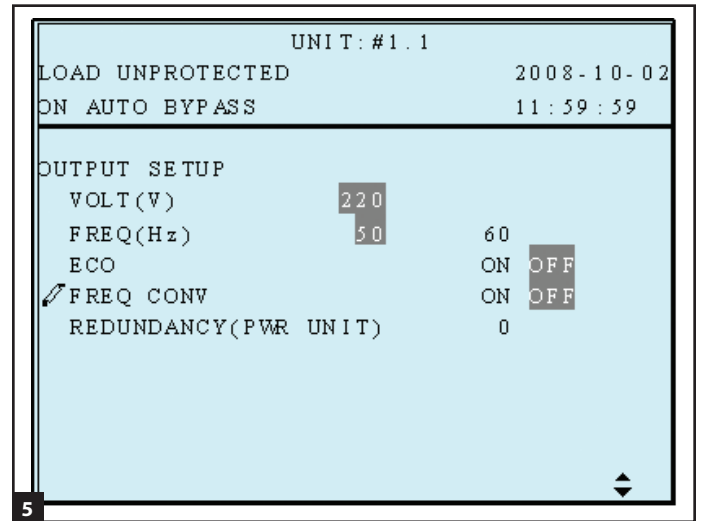


4 На экране ECO MODE с помощью кнопок прокрутки (▲,▼) выберите желаемую настройку и нажмите кнопку ввода данных (←) для подтверждения данной настройки.



10-5-2 Начальная установка выходных параметров (продолжение)

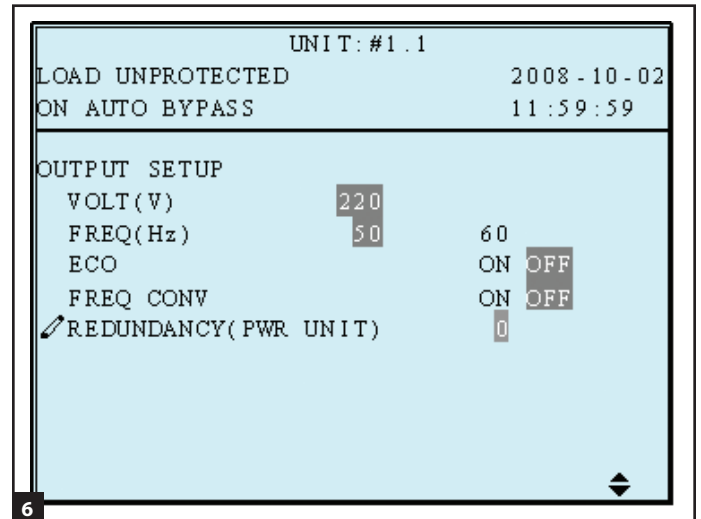
5 На экране FREQ CONVERTER MODE, с помощью кнопок прокрутки (▲, ▼) выберите желаемую настройку и нажмите кнопку ввода данных (↵) для подтверждения данной настройки. В режиме преобразователя частоты ИБП преобразует частоту питающей сети в отличную от нее выходную частоту. Таким образом, частота 60 Гц на входе может быть преобразована в 50 Гц на выходе, а 50 Гц на входе – в 60 Гц на выходе. При функционировании в режиме преобразователя частоты питание через обходную цепь не является доступным источником (ИБП не переключается на обходную цепь).



6 Резервирование

С помощью кнопок "▲" или "▼" выберите желаемое количество модулей (обычно один) для резервирования, а затем нажмите "↵" для подтверждения.

Эта возможность позволяет пользователю устанавливать предельное значение выходной мощности, гарантирующее резервирование по схеме N+1. При использовании этой возможности ИБП издает предупредительный сигнал в том случае, если потребляемая мощность превышает 80% от мощности "нерезервируемых" силовых модулей при сохранении установленного числа силовых модулей. Например, ИБП мощностью 80 кВА при начальной установке резервирования "1 Power Module" будет издавать предупредительный сигнал в случае превышения 80% от 60 кВА, что обеспечит резервирование одного силового модуля по схеме N+1.



Нажмите кнопку ESC для возврата в меню UPS SETUP.

10-5-3 Начальная установка батареи

С помощью кнопок "▲" или "▼" выберите опцию BATTERY, затем нажмите кнопку "↵" для подтверждения.



Все параметры в данном сегменте могут изменяться только при нахождении ИБП в режиме Bypass Mode.

10-5-3 Начальная установка батареи (продолжение)

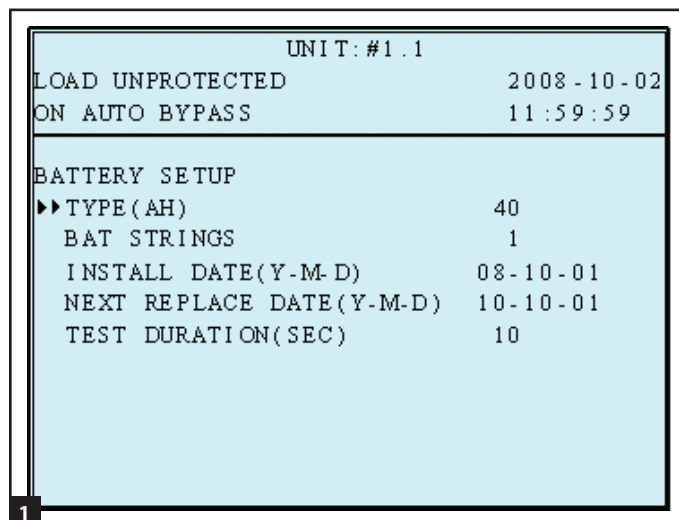
- 1 Войдите в меню начальной установки ИБП. С помощью кнопок прокрутки (▲, ▼) переместите курсор на опцию BATTERY SETUP, затем нажмите кнопку ввода данных (↵).

При запуске UPS вам необходимо ввести информацию о батарее, включая номинальную емкость в ампер-часах, количество секций и зарядный ток. В качестве ориентира используйте следующие формулы.

TYPE (AH) – Внутренние батареи имеют емкость 9 Ач на секцию. Номинальная емкость в Ач для внешних батарей равна числу, указанному после "V" в наименовании модели. Например, емкость батареи BP480V26B = 26 Ач. При совместном использовании внутренних и внешних батарей значения емкости для каждой секции суммируются. Например, емкость системы с использованием ИБП модели SU40KX и внешнего блока BP480V26B = 58 Ач (9+9+40).

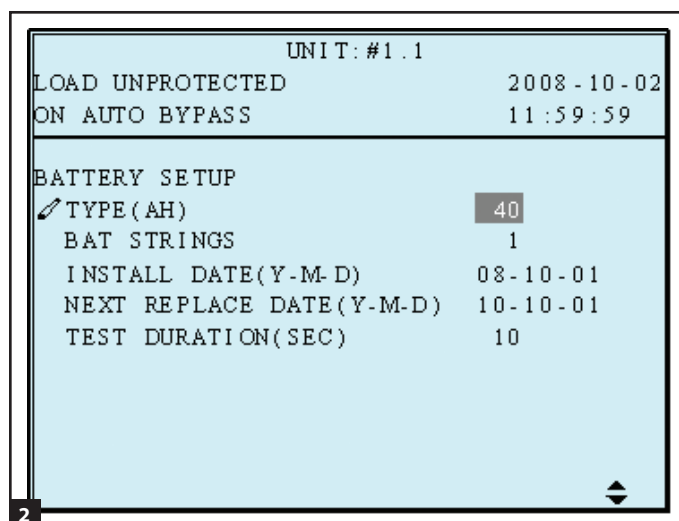
BAT STRINGS – Если используются только внутренние батареи, введите количество секций. Например, ИБП модели SU40KX имеет две секции внутренних батарей, поэтому следует ввести "2". В случае использования внутренних и внешних батарей внутренняя батарея не учитывается. Например, для ИБП модели SU40KX с блоком BP480V55 следует ввести "1".

CHARGER CURRENT – информацию о настройке зарядного тока см. в разделе 10-5-4.

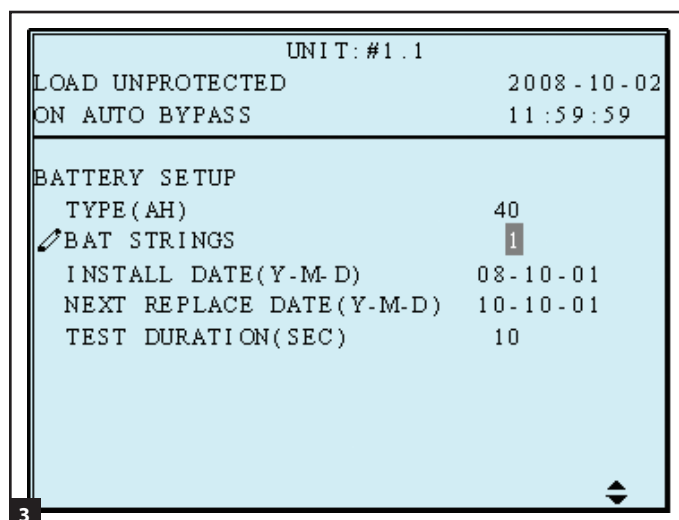


- 2 На экране EXT BAT TYPE с помощью кнопок прокрутки (▲, ▼) выберите желаемые настройки и нажмите кнопку ввода данных (↵) для подтверждения данных настроек. *Примечание. Дополнительные указания относительно настроек Ач см. в шаге 1.*

BP480V26B = 26 Ач
 BP480V40C = 40 Ач
 BP480V55 = 55 Ач
 BP480V78 = 78 Ач
 BP480V103 = 103 Ач
 BP480V140 = 140 Ач

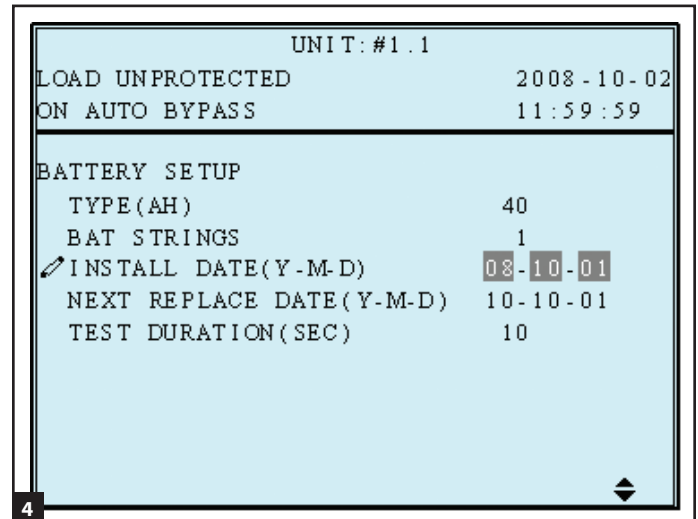


- 3 **Батарейные секции**
 С помощью кнопок "▲" или "▼" выберите желаемое число батарейных секций, а затем нажмите кнопку "↵" для подтверждения. *Примечание. Информацию относительно настроек батарейных секций см. в шаге 1.*



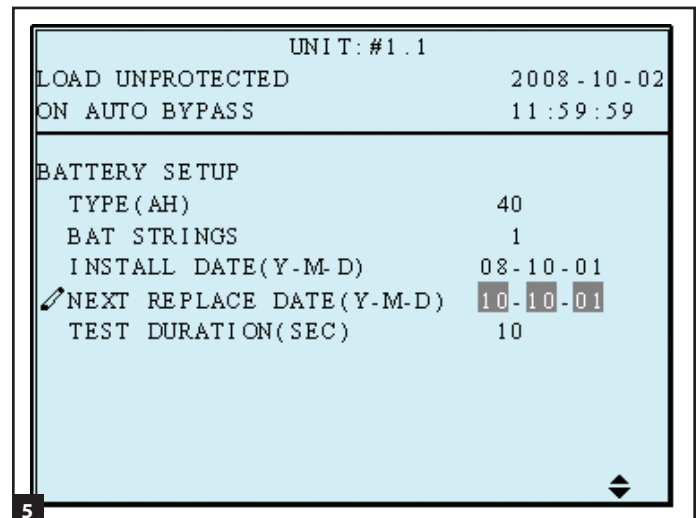
10-5-3 Начальная установка батареи (продолжение)

- 4** На экране INSTALL DATE с помощью кнопок прокрутки (▲, ▼) выберите желаемые настройки и нажмите кнопку ввода данных (←) для подтверждения данных настроек.



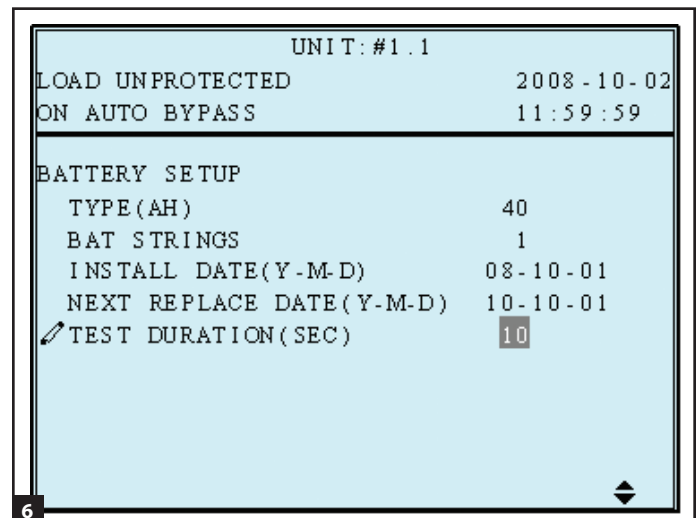
5 Дата следующей замены батареи

С помощью кнопок "▲" или "▼" установите дату следующей замены и затем нажмите "←" для подтверждения. (При наступлении установленного дня ИБП издает предупредительный сигнал, а на ЖК-дисплей выводится соответствующее сообщение.)



- 6** На экране "TEST DURATION" с помощью кнопок прокрутки (▲, ▼) выберите желаемые настройки и нажмите кнопку ввода данных (←) для подтверждения данных настроек.

Нажмите кнопку ESC для возврата в меню UPS SETUP.



10-5-4 Начальная установка зарядного устройства

С помощью кнопок "▲" или "▼" выберите опцию CHARGER, затем нажмите кнопку "←" для подтверждения.

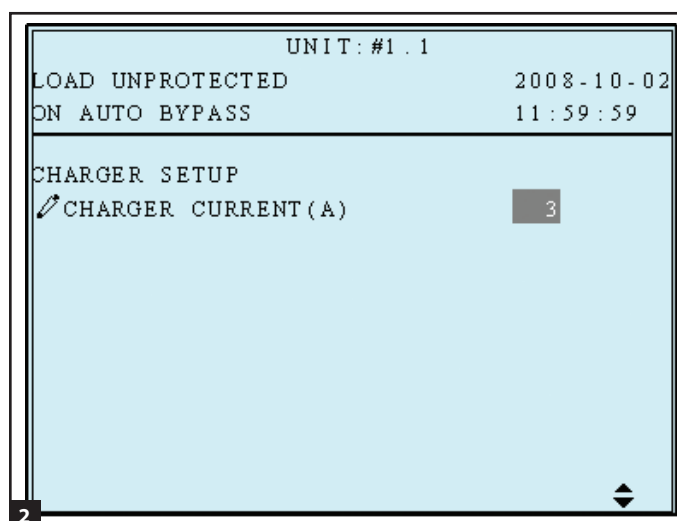
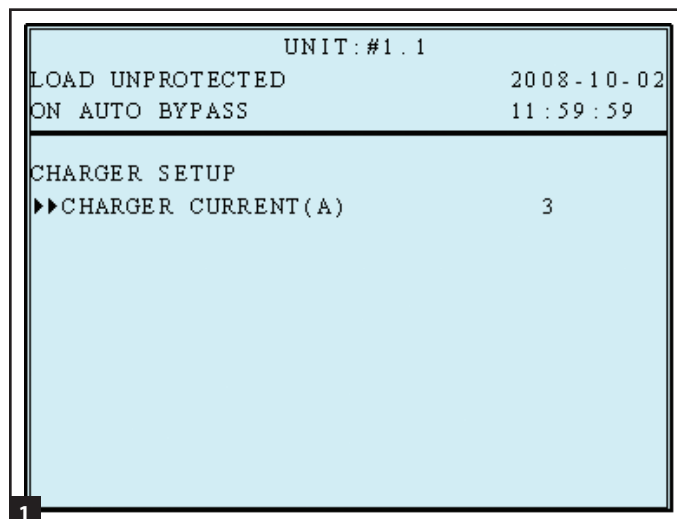
- 1 На экране CHARGER CURRENT с помощью кнопок прокрутки (▲,▼) выберите желаемую настройку и нажмите кнопку ввода данных (↵) для подтверждения данной настройки. *Примечание. Настройка зарядного тока по умолчанию 7 А.*

Каждый внутренний силовой модуль имеет зарядный ток 5 ампер. Зарядный ток может устанавливаться на уровне от 2 ампер в сумме до 5 ампер на каждый внутренний силовой модуль, умноженных на количество модулей. Например, ИБП модели SU60KX имеет три внутренних силовых модуля, поэтому диапазон значений его зарядного тока составляет от 2 до 15 А. Установите значение зарядного тока исходя из размера системы батарей. Информацию об определении размера системы батарей см. в [разделе 10-5-3](#).

Внимание! Настройка зарядного тока на слишком высокий уровень может привести к повреждению батарей и сокращению срока их эксплуатации. Перед изменением настройки, установленной по умолчанию, проконсультируйтесь со специалистами завода-изготовителя.

- 2 Нажмите кнопку "▲" или "▼" для изменения зарядного тока, затем нажмите кнопку "←" для подтверждения нового значения.

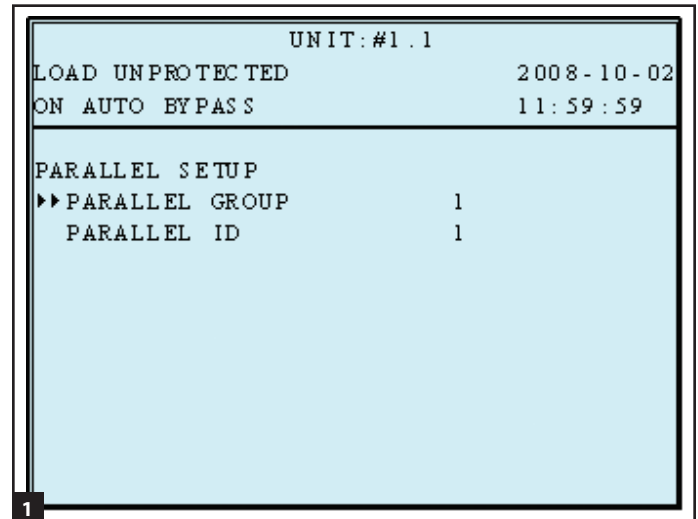
Нажмите кнопку ESC для возврата в меню UPS SETUP.



10-5-5 Начальная установка параллельного соединения

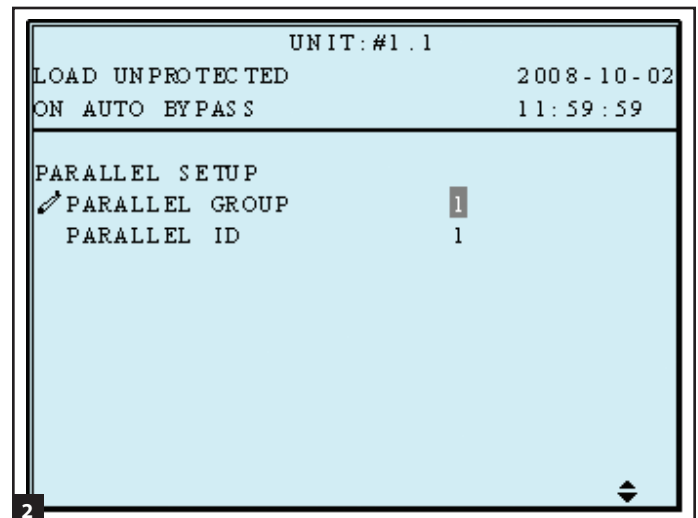
С помощью кнопок "▲" или "▼" выберите опцию "PARALLEL", затем нажмите кнопку "←" для подтверждения.

- 1 С помощью кнопок "▲" или "▼" выберите желаемый пункт, затем нажмите кнопку "←" для подтверждения.



- 2 **Параллельная группа**

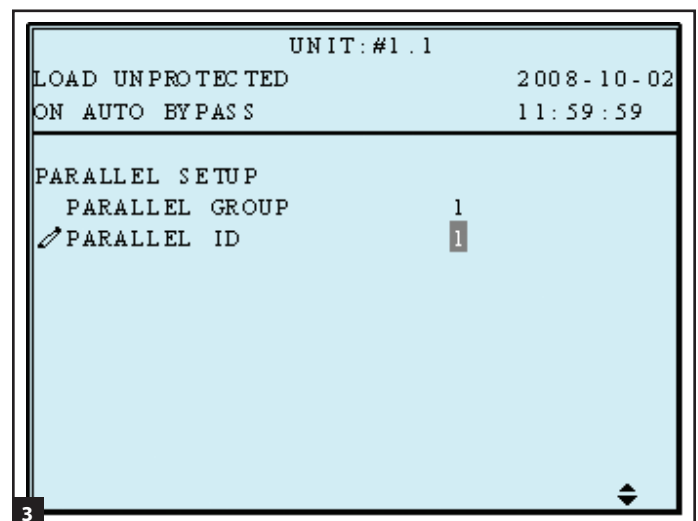
Настройка "параллельная группа" сообщает ИБП о том, что он работает в режиме параллельного включения. По умолчанию установлена настройка "Группа 1". Принципы монтажа см. в разделе 7 – "Монтаж". Примечание. Возможные настройки: 1 или 2.



- 3 **Ид. параллельного включения**

Определяет номер ИБП (от 1 до 8) внутри группы. При параллельном включении ИБП каждый из них должен иметь уникальный идентификатор параллельного включения.

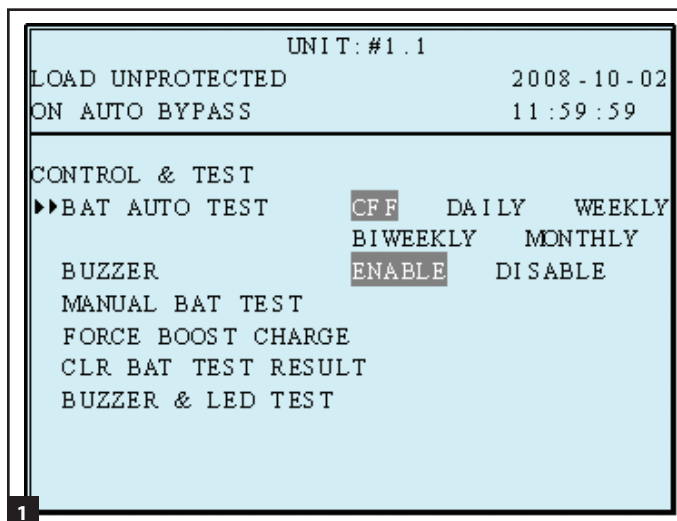
Нажмите кнопку ESC для возврата в меню UPS SETUP.



10-5-6 Начальная установка параметров контроля и тестирования

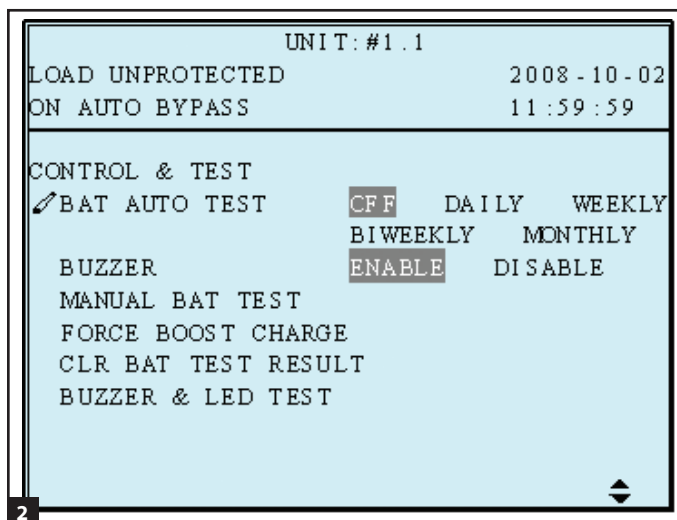
С помощью кнопок "▲" или "▼" выберите опцию CONTROL & TEST, затем нажмите кнопку "←" для подтверждения.

- 1 С помощью кнопок "▲" или "▼" выберите желаемый пункт, затем нажмите кнопку "←" для подтверждения.



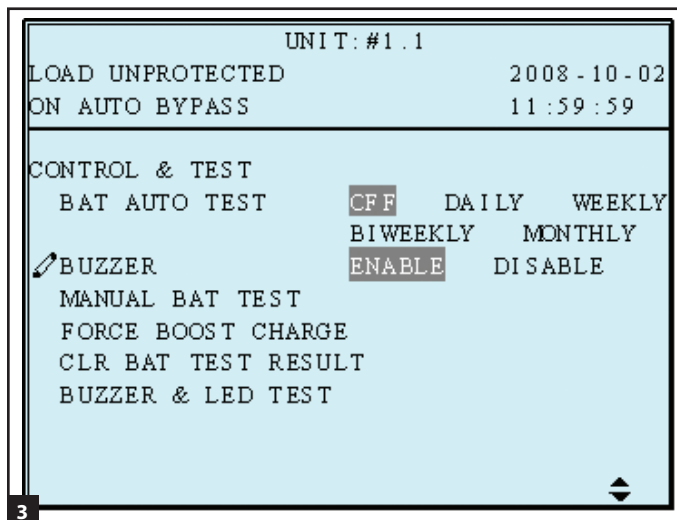
- 2 **Автотестирование батарей**

С помощью кнопок "▲" или "▼" выберите желаемый пункт, затем нажмите кнопку "←" для подтверждения. Обеспечивает возможность установки периодичности тестирования батарей в течение периода времени, выбираемого на шаге 6 в разделе 10-5-3.



- 3 **Зуммер**

С помощью кнопок "▲" или "▼" выберите опцию включения или отключения устройства звуковой сигнализации, затем нажмите кнопку "←" для подтверждения. Отключает звуковой предупредительный сигнал.

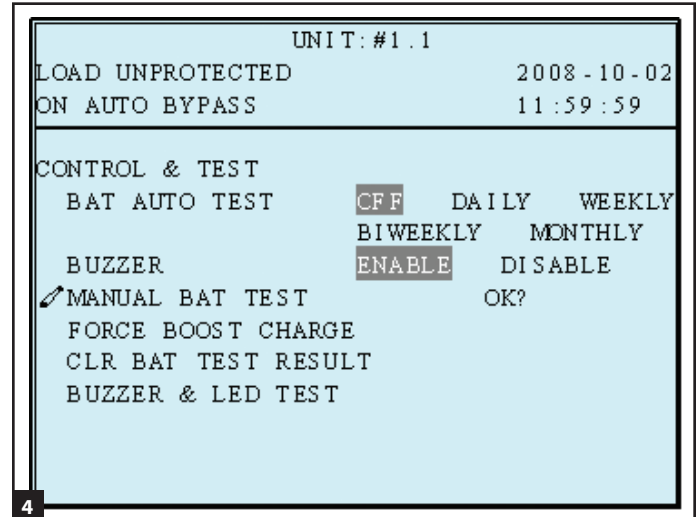


10-5-6 Начальная установка параметров контроля и тестирования (продолжение)

4 Ручное тестирование батарей

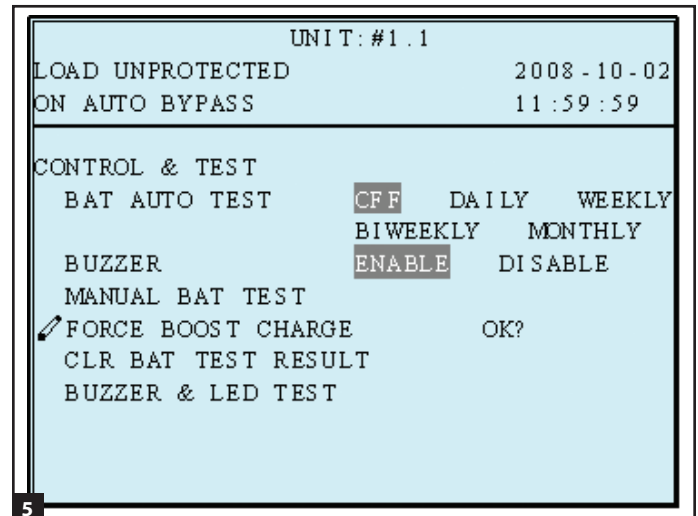
Нажмите кнопку "←" для выполнения операции MANUAL BAT TEST. Позволяет выполнять тестирование батареи в незапланированный момент времени по усмотрению пользователя.

(Это действие доступно только администратору! Для его выполнения потребуется пароль.)



5 Ускоренный подзаряд

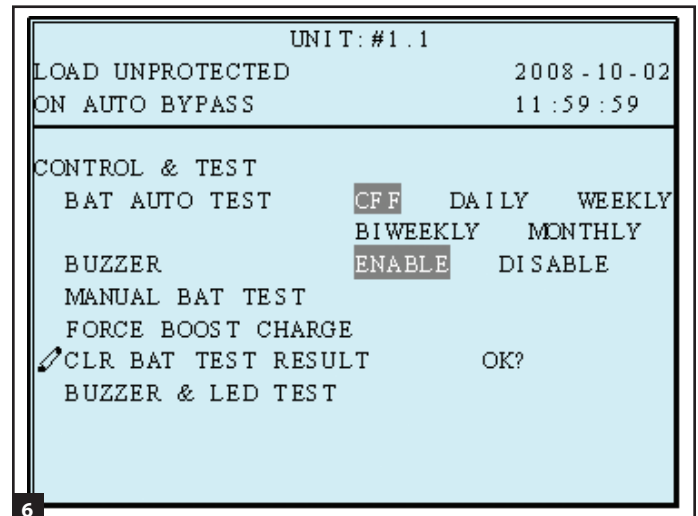
Нажмите кнопку (←) для выполнения операции FORCE BOOST CHARGE. Это обеспечивает возможность задействования функции ускоренной подзарядки, которая осуществляется под напряжением, превышающим номинальный параметр на 20%. Внимание! Применение ускоренной подзарядки батарей в течение увеличенных периодов времени может привести к повреждению системы батарей.



6 Стирание результата тестирования батарей

Нажмите кнопку "←" для выполнения операции CLR BAT TEST RESULT. В результате этого производится удаление всех результатов тестирования батарей в журнале регистрации.

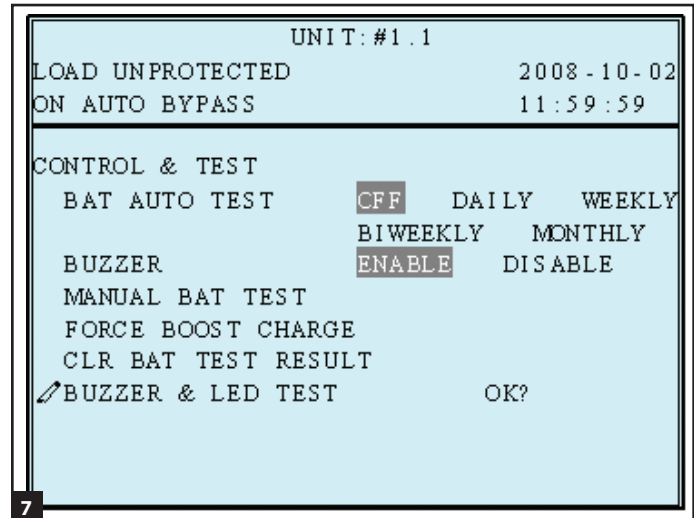
Примечание. Удаление журналов регистрации событий может привести к потере оснований для предъявления гарантийных рекламаций. Все гарантийные рекламации должны сопровождаться подтверждающей информацией из журналов регистрации событий.



10-5-6 Начальная установка параметров контроля и тестирования (продолжение)

- Выберите опцию BUZZER AND LED TEST для запуска тестирования СИДов панели управления и звуковой сигнализации. Для подтверждения данной операции вам необходимо ввести пароль администратора.

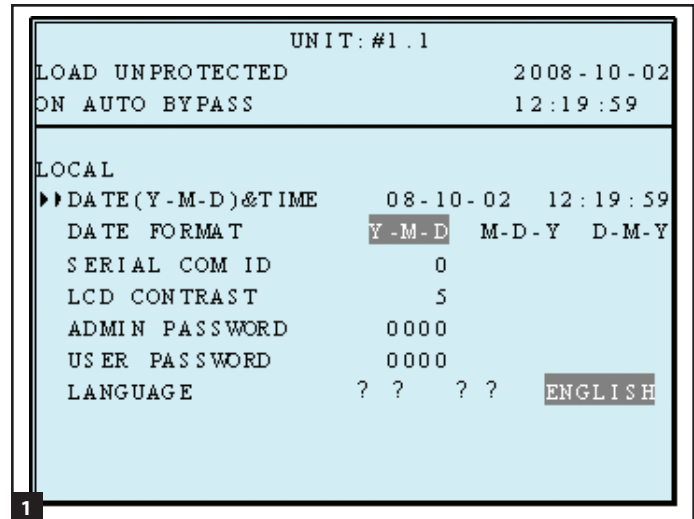
Нажмите кнопку ESC для возврата в меню UPS SETUP.



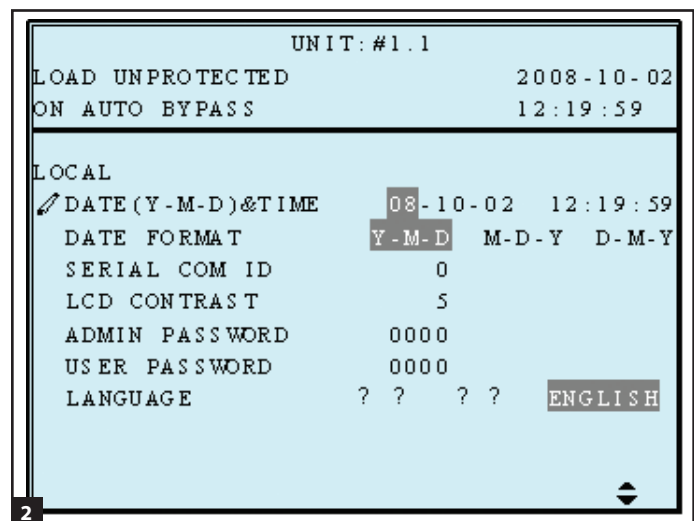
10-5-7 Начальная установка локальных параметров

С помощью кнопок "▲" или "▼" выберите опцию LOCAL SETUP, а затем нажмите кнопку "←" для подтверждения.

- С помощью кнопок "▲" или "▼" выберите желаемый пункт, затем нажмите кнопку "←" для подтверждения.



- На экране DATE/TIME CHANGE с помощью кнопок прокрутки (▲, ▼) выберите желаемые настройки и нажмите кнопку ввода данных (←) для подтверждения данных настроек. *Примечание. Для изменения данной настройки не требуется входа в систему с правами администратора, достаточно войти в нее в качестве пользователя.*

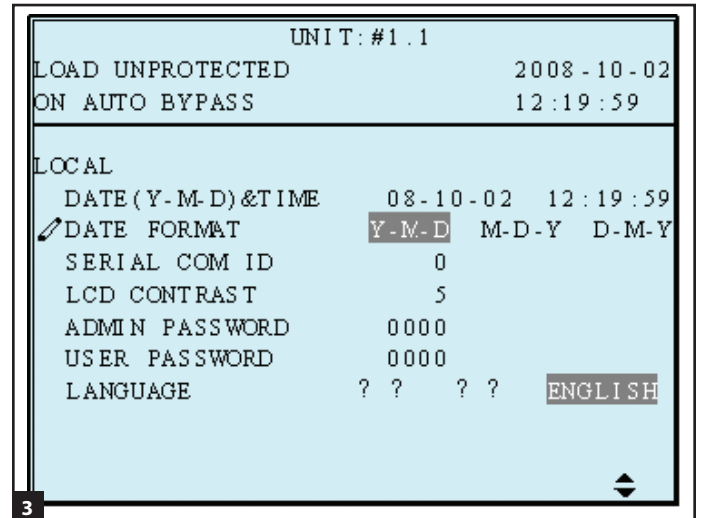


10-5-7 Начальная установка локальных параметров (продолжение)

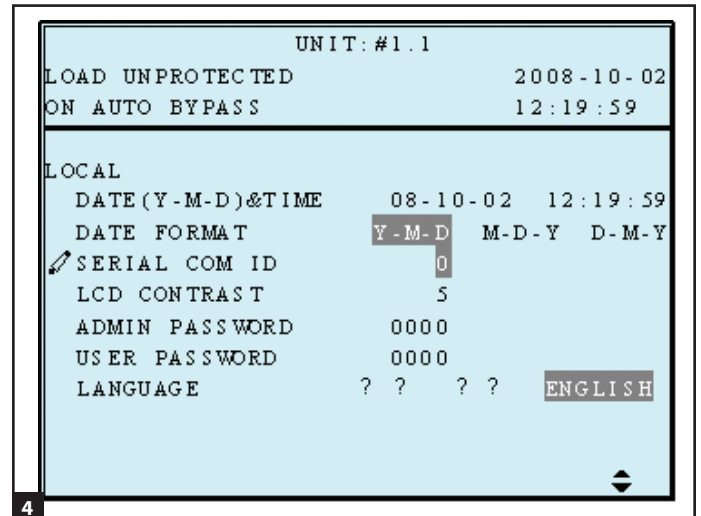
3 Формат даты

С помощью кнопок "▲" или "▼" измените формат даты, затем нажмите "←" для подтверждения.

(Данное действие доступно пользователям!)



- 4 На экране SERIAL COM ID с помощью кнопок прокрутки (▲,▼) выберите желаемый идентификатор последовательного порта и нажмите кнопку ввода данных (←) для подтверждения данной настройки. *Примечание. Данная настройка не распространяется на подключения через стандартный интерфейс RS-232. Она распространяется только на подключения через интерфейсы RS-485/RS-422.*



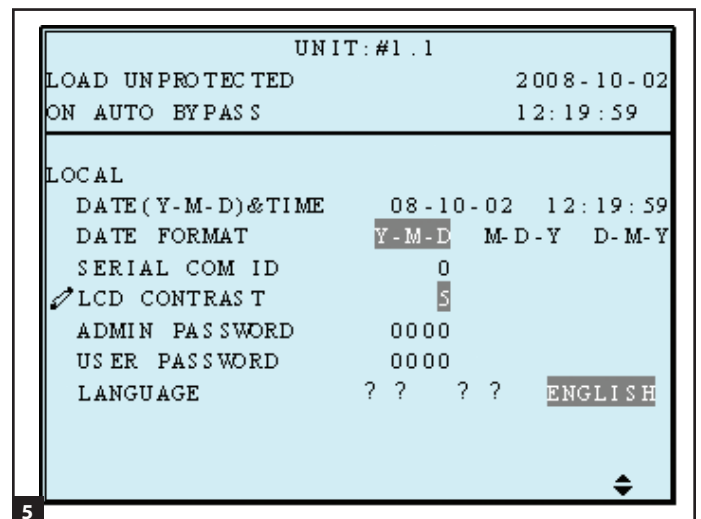
Для подключения через стандартный интерфейс RS232 этот идентификатор не используется. При использовании преобразователя RS485/RS422 других марок для подключения к порту RS232 значение идентификатора может быть установлено на 00, 01.....99.

5 Контрастность ЖК-дисплея

С помощью кнопок "▲" или "▼" установите контрастность ЖК-экрана, затем нажмите кнопку "←" для подтверждения. Изменяет степень контрастности ЖК-дисплея.

(Данное действие доступно для пользователей!)

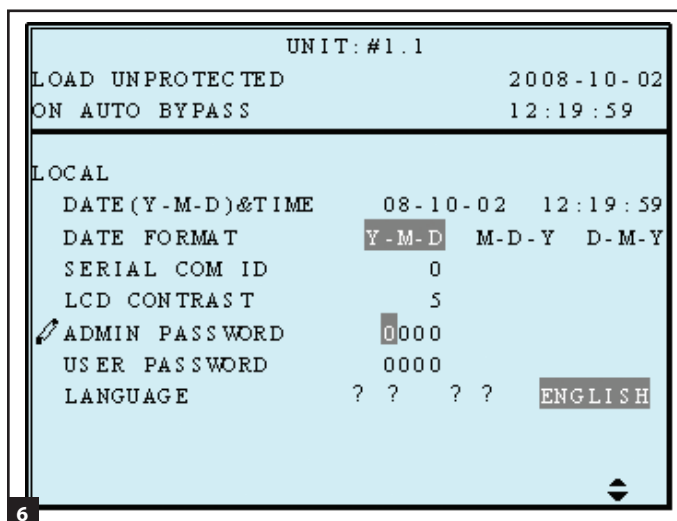
Значение "1" соответствует самому низкому уровню, значение "5" – самому высокому.)



10-5-7 Начальная установка локальных параметров (продолжение)

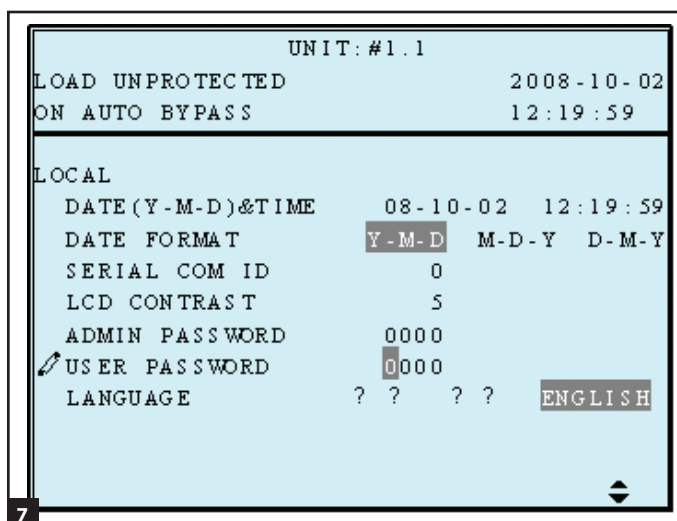
6 Пароль администратора

На экране PASSWORD CHANGE с помощью кнопок прокрутки (▲, ▼) и кнопки ввода данных (←) выберите желаемую опцию меню. С помощью кнопок прокрутки (▲, ▼) выберите желаемые настройки и нажмите кнопку ввода данных (←) для подтверждения данных настроек. *Примечание. Пароль администратора должен использоваться только квалифицированным сервисным персоналом.*



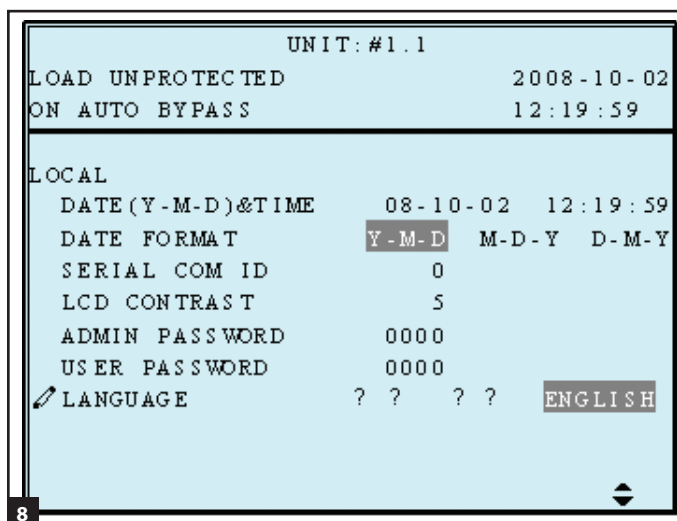
7 Пароль пользователя

Пароль состоит из 4 цифр. На экране PASSWORD CHANGE с помощью кнопок прокрутки (▲, ▼) и кнопки ввода данных (←) выберите желаемую опцию меню. С помощью кнопок прокрутки (▲, ▼) **выберите желаемые настройки и нажмите кнопку ввода данных (▼) для подтверждения данных настроек.**



8 Язык

С помощью кнопок "▲" или "▼" выберите язык отображения информации на ЖК-экране, затем нажмите кнопку "←" для подтверждения. Выберите язык отображения информации на ЖК-дисплее из предлагаемого списка.



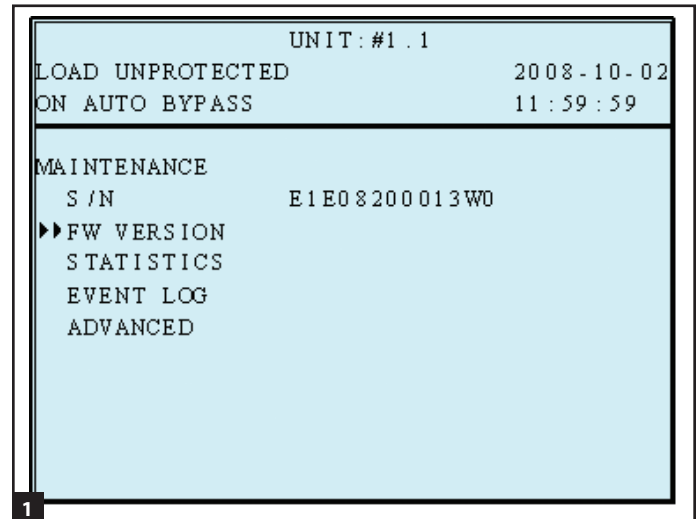
Нажмите кнопку ESC для возврата в меню UPS SETUP.

10-6 Техническое обслуживание

С помощью кнопок "▲" или "▼" выберите опцию MAINTENANCE в главном меню, затем нажмите кнопку "←" для подтверждения.

Первым пунктом является серийный номер модуля ИБП.

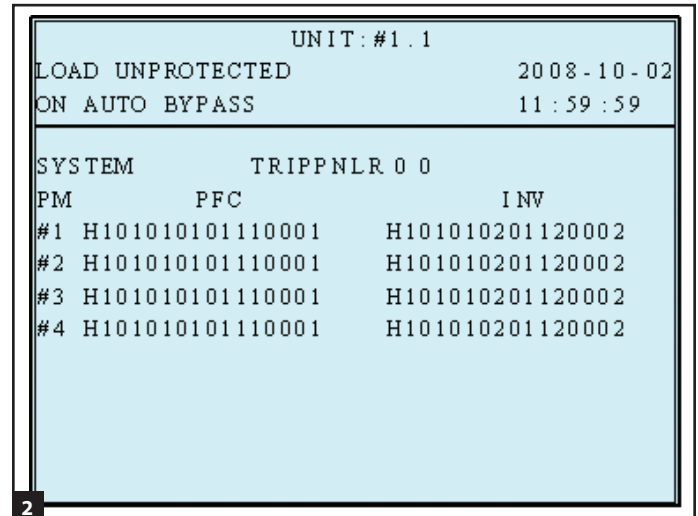
- 1 С помощью кнопок "▲" или "▼" выберите желаемый пункт, затем нажмите кнопку "←" для подтверждения.



- 2 **Версия прошивки**

С помощью кнопок "▲" или "▼" выберите версию прошивки, затем нажмите кнопку "←" для подтверждения.

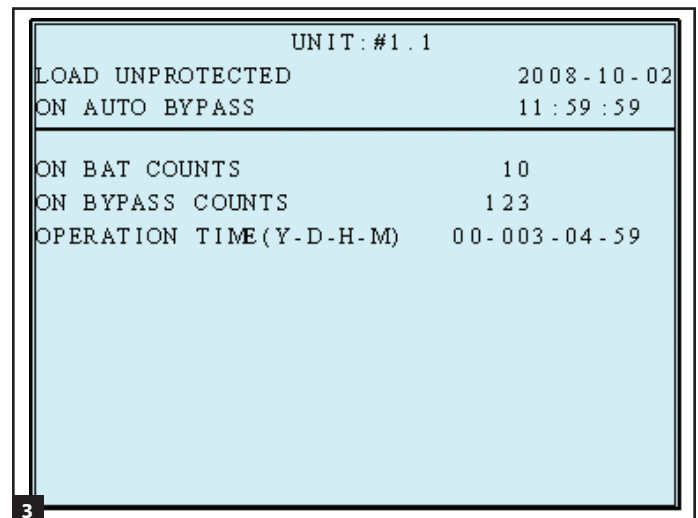
(На дисплее отобразится версия прошивки системы и каждого силового модуля.)



- 3 **Статистика**

С помощью кнопок "▲" или "▼" выведите на экран статистические данные, затем нажмите кнопку "←" для подтверждения.

На дисплее отобразятся значения counts on battery ("счетчик переключений на питание от батареи"), counts on bypass ("счетчик переключений на обходную цепь") и total operation time ("общее время работы").



10-6 Техническое обслуживание (продолжение)

4 Журнал регистрации событий

С помощью кнопок "▲" или "▼" выведите на экран данные журнала регистрации событий, затем нажмите кнопку "←" для подтверждения.

```
UNIT: #1.1
LOAD UNPROTECTED          2008-10-02
ON AUTO BYPASS            11:59:59

<001> 08-10-02 08:10:46
    Bypass Freq Abnormal
<002> 08-10-02 08:10:58
    Mains Input Voltage Abnormal
<003> 08-10-02 08:10:58
    Mains Input Freq Abnormal
<004> 08-10-02 08:10:59
    Output Breaker Off
<005> 08-10-02 08:10:59
    On Bypass
```

5 Дополнительные функции

С помощью кнопок "▲" или "▼" выберите пункт ADVANCED, затем нажмите кнопку "←" для подтверждения.

Пункт ADVANCED включает в себя clear statistics ("удаление статистики"), "clear event log" ("удаление журналов регистрации событий"), firmware upgrade ("обновление прошивки") и other status monitor for service ("другие функции контроля статуса в целях обслуживания").

(Это действие доступно только администратору! Для подтверждения требуется повторный ввод пароля.)

Внимание. Удаление или стирание журналов регистрации событий может привести к потере оснований для предъявления гарантийных рекламаций. Все гарантийные рекламации должны сопровождаться подтверждающей информацией из журналов регистрации событий.

```
UNIT: #1.1
LOAD UNPROTECTED          2008-10-02
ON AUTO BYPASS            11:59:59

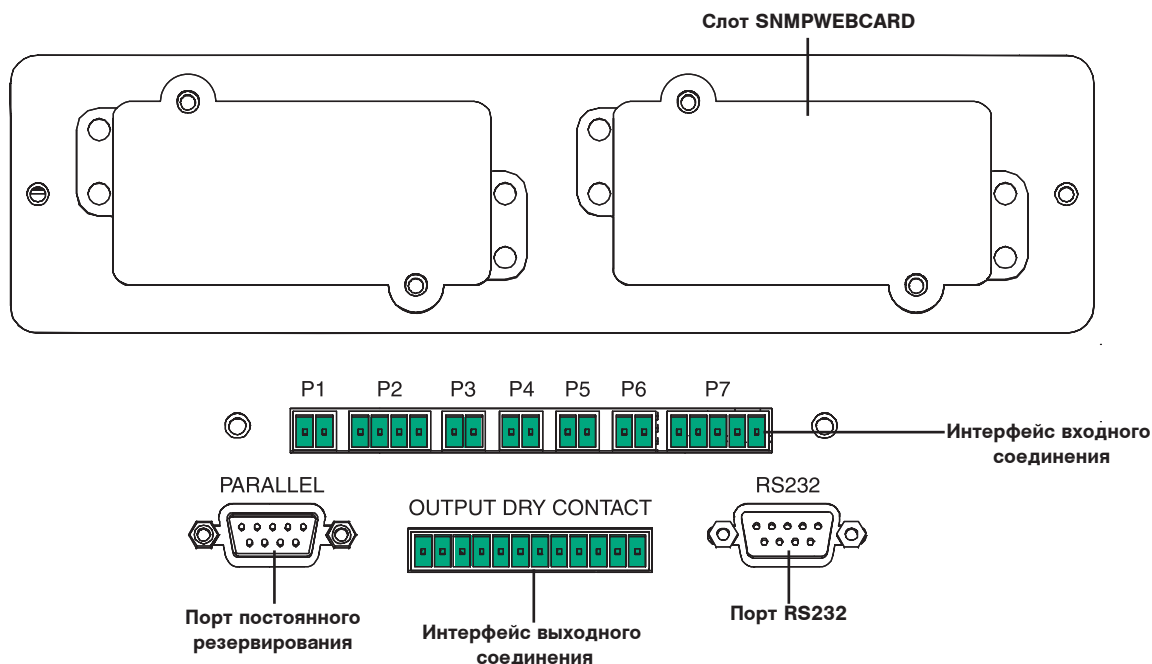
ADVANCED
▶▶ CLR STATISTICS
CLR EVENT LOG
FW UPGRADE
OTHERS
```

Нажмите кнопку ESC для возврата в меню UPS SETUP.

11 - Соединение

Примечание: Связи соединений, описанные в данной главе являются дополнительными. СБП будет функционировать должным образом без этих связей.

11-1 Подключения системы передачи



Примечание. ИБП поставляется в комплекте с разъемами P1, P2 и 12-позиционной колодкой для выходного интерфейса на основе сухих контактов. P3 и P7 поставляются только с опциональным батарейным шкафом, подходящим для внешнего блока аккумуляторных батарей модели BP480V26B или BP480V40C.

11-2 Слот SNMPWEBCARD

Удалите покрытие, чтобы установить вспомогательное оборудование Tripp Lite SNMPWEBCARD. Дополнительное оборудование SNMPWEBCARD обеспечивает Ethernet интерфейс для системы UPS и позволяет удаленно подключаться и контролировать СБП через SNMP, браузер или telnet. Для получения более подробной информации о порядке заказа вспомогательного устройства SNMPWEBCARD посетите страницу www.tripplite.com.

11-3 Интерфейс входного соединения

Интерфейс соединения получает сигналы замыкания контактов, которые позволяют системе UPS получать команды и контролировать внешние условия батареи.:

P1 – Дистанционное выключение аварийного питания (EPO) (См. **Раздел 11-4.**)

P2 – Вспомогательные входы с сухими контактами (2 комплекта) (входной контакт А: контакт 1,2 рассчитан на минимальное напряжение постоянного тока 12 В при номинальном токе нагрузки 0,1 А; Входной контакт В: контакт 3,4 рассчитан на минимальное напряжение постоянного тока 12 В при номинальном токе нагрузки 0,1 А. См. **Раздел 11-5.**)

P3 – Температура 1 внешнего батарейного шкафа (входы датчика температуры от внешних батарейных отсеков – см. **Раздел 11-6.**)

P4 – Температура 2 внешнего батарейного отсека (входы датчика температуры от внешних батарейных отсеков – см. **Раздел 11-6.**)

P5 – Температура 3 внешнего батарейного отсека (входы датчика температуры от внешних батарейных отсеков – см. **Раздел 11-6.**)

P6 – Температура 4 внешнего батарейного шкафа (входы датчика температуры от внешних батарейных отсеков– см. **Раздел 11-6.**)

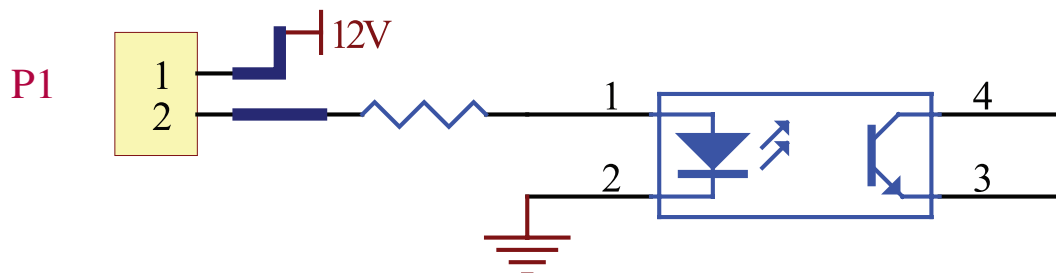
P7 – Состояние внешней батареи (для использования с кабелем состояния батареи, поставляемым с внешними батарейными отсеками– BP480V26B или BP480V40C.)

Примечание. Не подавайте напряжение на контакты REPO или вспомогательные сухие контакты. Это может привести к повреждениям ИБП. Для REPO переключатель должен быть заблокирован, чтобы не допустить выходное питание от выхода ИБП.

11 - Соединение (продолжение)

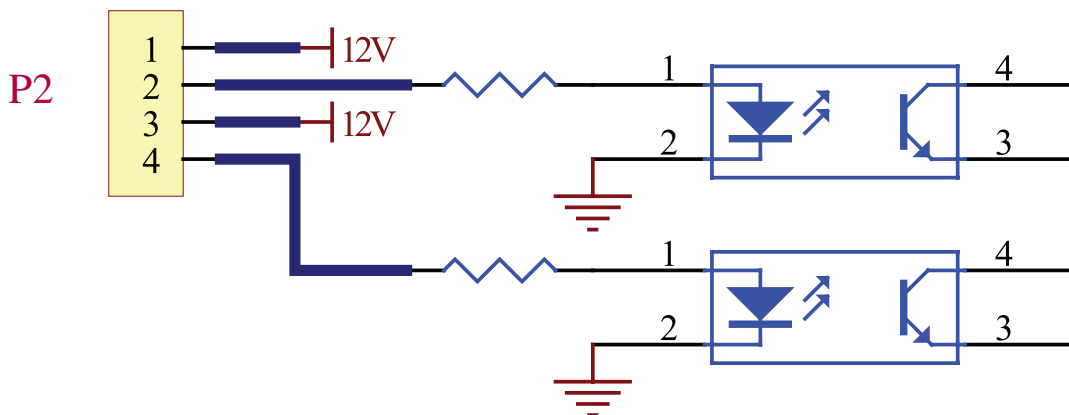
11-4 Схема соединения удаленного аварийного отключения питания

Система удаленного аварийного отключения питания (АОП) при помощи входного соединения P1 позволяет вам соединять СБП с системой АОП. Соединение СБП позволяет вам совершить удаленное аварийное отключение питания. Соедините АОП вход с удаленным соединением, как на схеме ниже. Этот контакт обычно открыт. Предоставляемая пользователем кнопка дистанционного аварийного отключения питания (REPO) должна быть оснащена устройством фиксации и находиться в нормально-замкнутом состоянии. При ее размыкании ИБП переходит в режим работы по обходной цепи. После этого необходим перезапуск преобразователя путем нажатия кнопки ON для возврата в режим онлайн. Контакт рассчитан на минимальное напряжение 12 В постоянного тока при номинальном токе 0,1 А.



11-5 Вспомогательная схема входящего соединения

Вспомогательное входящее соединение P2 позволяет системе UPS получать внешние сигналы. Эти контакты обычно открыты. Внешние контакты рассчитаны на минимальное напряжение 12 В постоянного тока при номинальном токе 0,1 А.



11-6 Входное соединение внешнего батарейного отсека

Эти соединения (P3, P4, P5, P6) позволяют СБП получать сигналы от внешних батарейных отсеков, который контролирует температуру внешних отсеков батарей. Более подробная информация изложена на странице www.tripplite.com/support.

11-7 Статус внешней батареи

Статус внешней батареи соединение P7 позволяет СБП получать внешние сигналы статуса батарейного отсека через дополнительный кабель. Pin 1=+12 Вольт; Pin2=подключенный кабель обнаружения; Pin3=Статус прерывателя (сигнал активный - цепь включена, сигнал неактивный - выключена). Pin4= резервный. Pin5 =поляризирующее напряжение. Более подробная информация изложена на странице www.tripplite.com/support.

11-8 Элемент интерфейса для выхода сигналов с сухого магнитоуправляемого контакта

Система имеет 6 выходящих соединений. Эти соединения могут быть открыты или закрыты.

Стандартные сообщения

Соединение	Сообщение	Описание
Pin 1-2	Нагрузка на инверторе	UPS работает нормально
Pin 3-4	Нагрузка на автозамене	UPS работает в режиме замены
Pin 5-6	Входное соединение отказало с нагрузкой на инверторе	Питание отсутствует или произошел сбой. UPS находится в режиме аварийного питания.
Pin 7-8	Низкий заряд батарей	UPS находится в режиме аварийного питания и напряжение батареи ниже 220В
Pin 9-10	Замена введена неправильно	Включение замены неправильное (частота/фаза)
Pin 11-12	Сбой теста батареи	Напряжение батареи ниже положенного

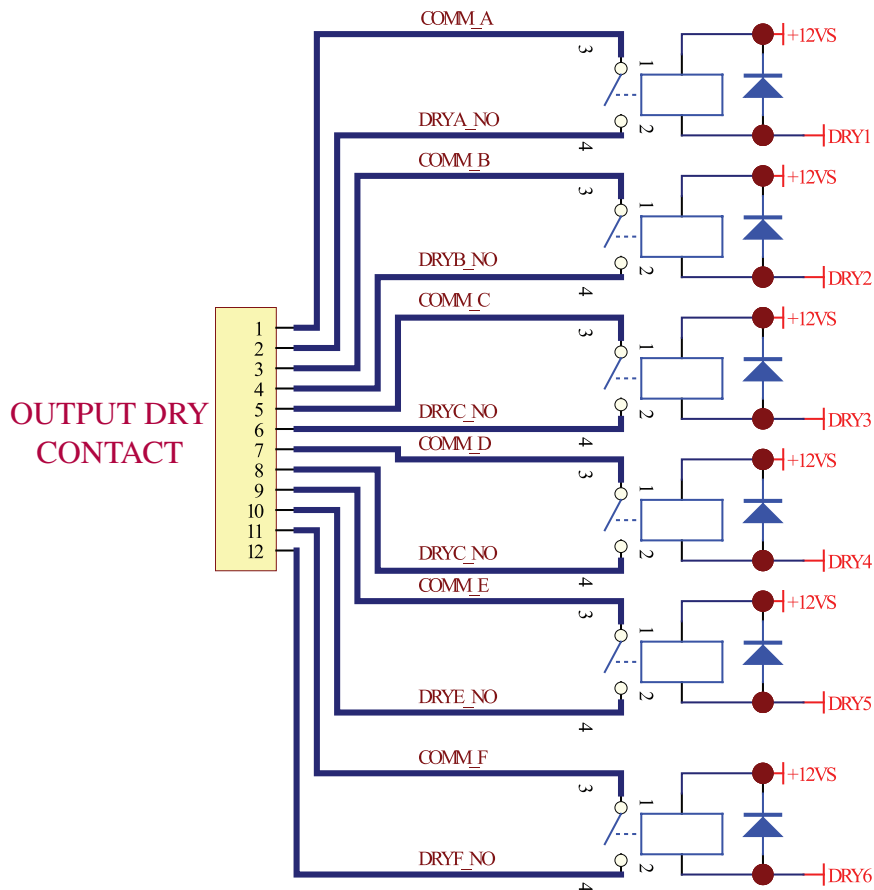
Дополнительные сообщения

Сообщение	Описание
Внутренний сбой соединения	Соединение с одним из компонентов неправильное
Внешний параллельный отказ соединения	В параллельной установке, соединение неправильное
Предупреждение/отключение при перегрузке	Нагрузка системы превышена
Отключение ошибка модуля питания	UPS выключается из-за отказа модуля питания
Предупреждение модуля питания	Модуль питания имеет ошибку, но UPS работает обычно
АОП включено	UPS отключена от питания, функция АОП
Нагрузка в запасном режиме	UPS в запасном режиме
Предупреждение/отключение из-за отсека питания.	Температура внешнего отсека питания слишком высокая
Неправильное выходное напряжение	выходное напряжение слишком высокое/низкое
Необходимо заменить батарею	Согласно данным «дата батареи» UPS нуждается в замене батареи. (См. 10-5-3 для доп. информации)
Предупреждение/отключение по температуре	Температура статического выключателя слишком высокая
Ошибка целостности батареи	Батарея имеет нарушение в основании
Статическая ошибка выключателя	Статический выключатель работает неправильно

Примечание: Если вам необходима дополнительная информация, свяжитесь с Tripp Lite.

11-9 Схема запасной цепи

СБП имеет 6 выходных соединений. Эти соединения могут быть открыты или закрыты. Контакты рассчитаны на 250 В[~] / 28 В=; 8 А.



11-10 Порт RS232 ввода-вывода соединительной схемы

RS 232 DB9 последовательный порт соединения UPS с авторизованным рабочим местом или сервером (кабель включен). Общась с СБП через этот порт, программное обеспечение Tripp Lite может отслеживать и управлять СБП. PowerAlert также служит как SNMP прокси, позволяющее подключить UPS к сети.

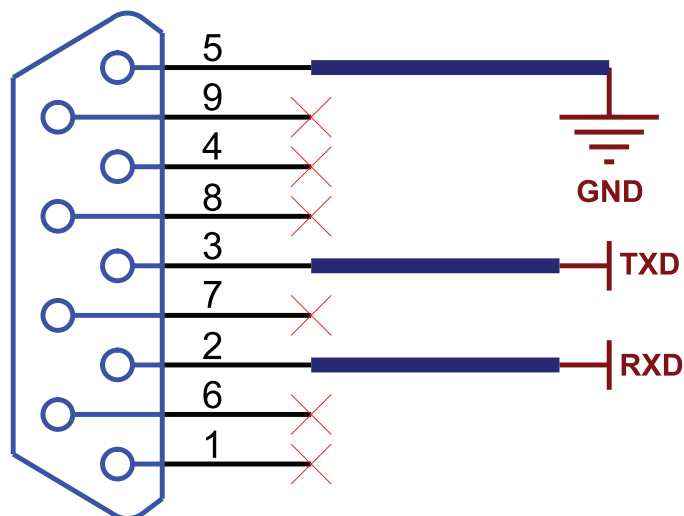
Сигналы и операции RS 232 включают в себя: уровень нагрузки, статус батареи, уровень заряда батареи, режим действия, входное напряжения, выходное напряжение, частота входящего тока, внутренняя температура, время задержки закрытия, включение/выключение тревоги и удаленное выключение.

Аппаратное обеспечение

Скорость передачи данных: 2400 BPS
Длина данных: 8 битов
Стоповый бит: 1 бит Четность: нет

Развод контактов

Pin 2: TXD (Передача данных)
Pin 3: RXD (Получение данных)
Pin 5: GND (Заземление)



11-11 Порт параллельной конфигурации

Порт параллельной конфигурации позволяет подключать систему ИБП к другой системе ИБП идентичного типа и пропускной способности для использования в параллельной (1+1) конфигурации или повышения отказоустойчивости. **Предупреждение: используйте только кабель для параллельной конфигурации, который поставляется с системой ИБП. Попытка использовать несовместимый кабель может вызвать повреждения систем ИБП и создать серьезный риск травм и порчи имущества.**

12 - Технические характеристики

12-1 Технические характеристики СБП

		Модель (емкость)	SU20KX 20кВА/16кВт	SU40KX 40кВА/32кВт	SU60KX 60кВА/48кВт	SU80KX 80кВА/64кВт	
Вход	Входное напряжение	220/380 В, 230/400 В или 240/415 В переменный ток, 3Ф, 4 провода+заземление, соединение звездой					
	Регулирование напряжения	-25% ~ +20%					
	Нелинейные искажения	<4% (полная нагрузка)					
	PFC(полная нагрузка)	0,99					
	Частота	50/60 Гц					
Выход	Отклонения частоты	45 ~ 65 Гц					
	Выходное напряжение	220/380 В, 230/400 В или 240/415 В переменный ток, 3Ф, 4 провода+заземление, соединение звездой					
	Рабочая частота	50/60 Гц					
	Полное отклонение	<3%					
	Регулировка напряжения	статическое ±1%					
	Регулировка частоты	динамическая	±7% (10% ~ 90% линейная нагрузка)				
		Внутр. Колеб	±0,05 Гц				
синхронизация		±5%					
Перегрузка	≤125% : 10 минут; ≤150% : 1 минута						
Аварийный аудио сигнал	Работа от батарей	прерывистая					
	Неправильная работа	непрерывная					
Дисплей	Светодиоды	UPS статус: норма · обход · резерв · неисправность					
	LCD	Вход/выход · обход · инвертер · частота · нагрузка · Вольтаж батарей UPS с диагностикой					
Интерфейс	Стандартный	RS-232, сухой контакт					
	Дополнительно	snmpwebcard					
Другое	Параллельная работа	Да (1+1 для 2-ух систем UPS одинакового типа и емкости)					
	АОП	Стандарт (локально и удаленно)					
	Журнал событий	500 записей					
	Конфигурация параметров	Yes					
	Установка резерва	Опционально					
	Температурная компенсация батарей	Опционально					
	Холодный старт батарей	Стандартно					
Везде	Эффективность	нормально	94%				
		АОП	97%				
	Время передачи	0 мс					
	Температура	32° F ~ 104° F (0° C ~ 40° C)					
	Влажность	90 %					
	Шум(1м)	65 Дб	68 Дб	70 Дб	70 Дб		
	Размеры	Ширина	520 мм				
		Высота	850 мм				
Толщина		1165 мм					
Вес (блок питания)	267 кг*	412 кг*	210 кг	244 кг			

* С внутренними батареями.

12-2 Таблица нагрузки системы

Модель	SU20KX	SU40KX	SU60KX	SU80KX
Вес	267 кг	412 кг	210 кг	244 кг
Нагрузка	600 кг/м ²	927 кг/м ²	475 кг/м ²	552 кг/м ²

12-3 Таблица нагрузки батарей

Модель	BP480V26B (40 Baterias de 12V; 26AH cada uno)	BP480V40C (40 Baterias de 12V; 40AH cada una)
Вес	470 кг	700 кг
Нагрузка	1064 кг/м ²	1575 кг/м ²

13 - Хранение и сервисное обслуживание системы

Storage

Система должна храниться в чистой, безопасной окружающей среде с температурой ниже 40 C (104 F) и относительной влажности менее 90%. Храните СБП в оригинальном контейнере, если возможно. Если установка происходит более чем 6 часов после получения СБП, перезарядите батареи по крайней мере в течение 24 часов до использования. Не полагайтесь на СБП, чтобы обеспечить резервное питание пока батареи полностью не заряжены. *Примечание: Если система находится долгое время в выключенном состоянии, необходимо ее включать периодически для перезарядки батарей. Система должна быть включена и батареи должны перезарядиться по крайней мере один 24-часовой период один раз в 3 месяца. Отказ от периодической перезарядки батарей может вызвать необратимое повреждение батарей.*

Обслуживание

СБП имеет ограниченный срок гарантии описанной в данном руководстве. Программы обслуживания, программы обслуживания запуска, профилактические программы технического обслуживания и локальные гарантии (2, 3, 4 года) также доступны. Более подробная информация изложена на странице www.tripplite.com/support.

14 - Гарантийные обязательства

Продавец дает гарантию, при условии, что продукт используется в соответствии со всеми инструкциями, при отсутствии дефектов сроком на 2 года (кроме США Канады и Мексики – 1 год) от даты покупки. Если продукт оказался дефектным в течение гарантии, продавец восстановит или заменит продукт по собственному усмотрению. Обслуживание согласно гарантии включает в себя поддержку центра обслуживания Tripp. Локальные планы обслуживания поставляет Tripp Lite, Облегченную систему обслуживания предоставляют партнеры Tripp Lite (в большинстве регионов). Свяжитесь с Tripp Lite для получения подробной информации по обслуживанию +1 773 869 1234. Международные клиенты должны связаться с Tripp Lite. Поддержка intlservice@tripplite.com

Эта гарантия не предусматривает случаи повреждения из-за несчастного случая, неправильного обращения, злоупотребления или пренебрежения условиями эксплуатации. Продавец не дает никаких гарантий, кроме гарантий явно сформулированных в данном документе, кроме случаев, предусмотренных законодательством. Все гарантии ограничены гарантийным периодом определенным выше, эта гарантия явно исключает все непредвиденные убытки.

Tripp Lite; 1111 W. 35th Street; Chicago IL 60609; USA

Предупреждение: Индивидуальный пользователь должен позаботиться, чтобы определить до использования, является ли устройство исправным, адекватным и безопасным для предназначенного использования. Изготовитель не дает никаких гарантий относительно пригодности устройств для определенных случаев.

Регулирующие идентификационные номера

Для регулирования свидетельств вашему продукту был присвоен уникальный номер. Уникальный номер может быть найден на ярлыке таблички с названием продукта, наряду со всеми маркировками и дополнительной информацией. Запрашивая информацию по продукту, всегда обращайтесь по уникальному номеру. Уникальный номер не должен быть перепутан с маркировкой или номером продукта.



Информация для клиентов компании Tripp Lite о соблюдении требований директивы ЕС об отходах электрического и электронного оборудования (WEEE)

Согласно директиве ЕС об отходах электрического и электронного оборудования (WEEE) и применимым нормам в случаях, когда покупатели приобретают новое электрическое и электронное оборудование компании Tripp Lite, они имеют право на следующее:

- Отправку старого оборудования, которое является эквивалентным по количеству и идентичным полученному новому оборудованию, на утилизацию (это условие может отличаться в зависимости от страны)
- Отправку нового оборудования обратно на утилизацию, когда оно в конечном итоге становится изношенным

Tripp Lite ведет политику совершенствования. Спецификации могут быть изменены без уведомления.

Note on Labeling

Данные символы используются в схемах:

V~	переменное напряжение
V=	постоянное напряжение
Ø	фаза
⊕	заземление



1111 W. 35th Street, Chicago, IL 60609 USA • www.tripplite.com