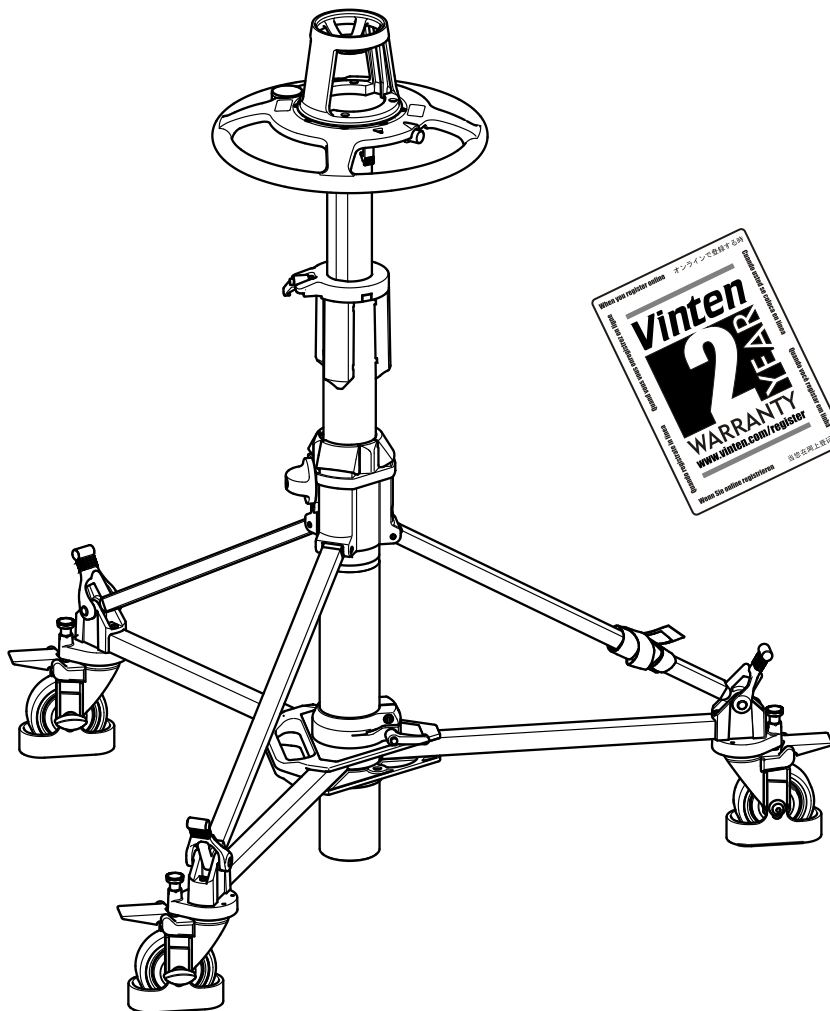


Vision Ped *Plus* Pedestal

V3951-0001



Operating instructions
V3951-4980/3

EN
DE
ES
FR
IT
PT
JP
CN

Vinten

Vision Ped *Plus*

Studio Pedestal

Publication Part No. V3951-4980, Issue 3

English Page 3

Deutsch Seite 19

Español Página 35

Français Page 53

Italiano Pagina 71

Português Página 89

日本語 ページ 107

中文 页码 123

Copyright © 2013

All rights reserved.

Original instructions: English

All rights reserved throughout the world. No part of this document may be stored in a retrieval system, transmitted, copied or reproduced in any way, including, but not limited to, photocopy, photograph, magnetic or other record without the prior agreement and permission in writing of the Vitec Group plc.

Trademarks

Vinten™, Vision® is a registered trademark of the Vitec Group plc.

Disclaimer

The information contained in this manual is believed to be correct at the time of printing. Vitec Videocom Ltd reserves the right to make changes to the information or specifications without obligation to notify any person of such revision or changes. Changes will be incorporated in new versions of the publication.

We are making every effort to ensure that our manuals are updated on a regular basis to reflect changes to product specifications and features. Should this manual not contain information on the core functionality of your product, please let us know. You may be able to access the latest revision of this manual from our website.

Vitec Videocom Ltd reserves the right to make changes to product design and functionality without notification.

Published by:

Vitec Videocom
Supports Technical Publications Department
William Vinten Building
Western Way
Bury St Edmunds
Suffolk IP33 3TB
United Kingdom

E-mail: technical.publications@vitecgroup.com

Preface

Thank you and congratulations on your new Vision Ped *Plus* from Vinten

We want you to get the most from your new Vision Ped Plus, and therefore encourage you to read this operators guide to familiarise yourself with its many features, some of which may be new to you. It also covers essential health and safety information and a section on maintenance that will ensure you keep your new product in perfect condition.

To receive additional benefits, register with Vinten now, on line by visiting www.vinten.com/register, or by completing the enclosed form.

Features and benefits of your new Vision Ped *Plus*

The Vision Ped Plus has been specifically designed to meet the exacting demands of camera operators working with lightweight studio cameras. The Vision Ped Plus offers a high level of control with many unique features.

- **Suitable for a wide range of professional lightweight studio camera configurations up to 30 kg (66 lb).**
- **New tapered ram system allows perfect balance throughout its full on-shot stroke of 41cm (16.1in)**
- **Pressure gauge gives a clear indication of system pressure when charging the pedestal from an external source or by using the integral pump**
- **New assisted-lift lower stage takes the effort out of height adjustment and offers a wide range of height settings up to a maximum of 159.5cm (62.8in)**
- **Individual wheel tracking locks allow castoring, steering and straight line tracking**
- **Improved wheel braking system ensures continued smooth running**

Once again, thank you for choosing the Vision Ped *Plus*.

We are confident it will give you many years of reliable performance

Safety - read this first

Warning Symbols in this Operators Guide



Where there is a risk of personal injury, injury to others, or damage to the pedestal or associated equipment, comments appear, highlighted by the word **WARNING!** and supported by the warning triangle symbol.

Warning symbols on the pedestal

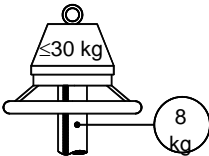


On encountering the warning triangle and open book symbols it is imperative that you consult this operators guide before using this pedestal or attempting any adjustment or repair.

Critical data

Mass

Column 8 kg (17.6 lb)
Skid 5.5 kg (12.1 lb)



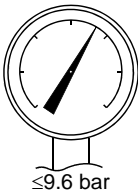
Load

Maximum load 30 kg (66 lb)



Pressure

Maximum pressure 9.6 bar (139 psi)



Technical data

Payload	30 kg (66 lb)
Column weight	8 kg (17.6 lb)
Skid weight	5.5 kg (12.1 lb)
Total pedestal weight	13.5 kg (29.7 lb)
Minimum height to 100 mm bowl adaptor mounting face	75.1 cm (29.6 in.)
Maximum height to 100 mm bowl adaptor mounting face	159.5 cm (62.8 in.)
Minimum height to flat mounting face	63.7 cm (25.1 in.)
Maximum height to flat mounting face	148.1 cm (58.3 in.)
On-shot stroke	41.0 cm (16.1 in.)
Wheel diameter	10.0 cm (4 in.)
Skid leg radius	55.85 cm (22.0 in.)
Doorway tracking width	95.6 cm (37.6 in.)
Transit doorway width	73.3 cm (28.9 in.)
Steering ring diameter	35.0 cm (13.8 in.)
Max working pressure	9.6 bar (139 psi)
Relief valve pressure	10.7 bar (155 psi)

Usage

The Vision Ped Plus pedestal is designed for use in television studios and on location to support and balance a pan and tilt head, camera and ancillary equipment weighing up to 30 kg (66 lb).

This product is intended for use on an unobstructed and reasonably level surface by television camera operators.



WARNING!

1. Do NOT attempt to use this product if you do not understand how to operate it.

2. Do NOT use this product for any other purpose than that specified in the Usage statement above.

3. Maintenance beyond that detailed in this Operators Guide must be performed only by competent personnel in accordance with the procedures laid down in the Maintenance Manual.

Contents

	Page
Preface	3
Safety - read this first	4
Critical data	4
Technical data	5
Introduction and Description	8
Operation	
Assembling the pedestal	9
Pressurizing the pedestal	9
Using the pedestal	12
Servicing	
General	15
Cleaning	15
Routine checks	15
Adjustments	15
Parts List	18
Figures	139

Vision Ped *Plus* Studio Pedestal (Fig 1)

- (1) 100 mm levelling bowl adaptor
- (2) Control valve
- (3) Safety catch
- (4) Tank assembly
- (5) Elevation tube
- (6) Velcro strap
- (7) Foot support and strap
- (8) Track locking pin
- (9) Brake
- (10) Fixed leg
- (11) Skid clamp
- (12) Skid centre casting
- (13) Folding leg
- (14) Cable guard
- (15) Cable guard adjustment knob
- (16) Outer tube
- (17) Strut
- (18) Bottom clamp
- (19) On-shot clamp
- (20) Steering ring
- (21) Schrader valve and cap
- (22) Pressure gauge

Introduction and Description

The Vision Ped Plus studio pedestal is a fully-portable pneumatic camera mount, designed to support a payload of up to 30 kg (66 lb). It comprises a central telescopic column and a skid assembly with castoring wheels. To facilitate transport, the telescopic column and skid may be separated and the skid folded.

The telescopic column consists of an outer tube, which locates in the skid and has three struts to provide the pedestal strength and stability; an elevation tube, which is positioned relative to the outer tube and defines the working height of the pedestal; and a tank assembly, which forms the upper, moving part of the pedestal, provides the balancing force for the payload and acts as a pump for pressurization.

The skid comprises a centre casting with carrying handle, a fixed leg and two folding legs. Each leg carries a braked castoring wheel and a foot support with strap to support the column. The skid has 100 mm (4 in.) wheels with cable guards and track locks which provide castor, track or steer movement of the pedestal.

Operation

Assembling the pedestal

Skid

(Fig 2)

Turn the skid upside-down, depress the leg locking plungers (13.1) and swing each folding leg (13) out until the plungers lock the legs in the fully open position.

Set the skid on the ground on its wheels and apply the wheel brakes (9).

Column

Install the column on the skid as follows:

Fully slacken the skid clamp (11).

Ensure the control valve (2) is set to the WORK position.

Release the Velcro retaining strap (6).

Hold the telescopic column upright with the steering ring (20) uppermost and swing the three struts (17) up almost to horizontal.

Lift the column assembly by the steering ring and lower it vertically into the skid centre casting, ensuring bottom clamp knob (18) is aligned with skid handle. Engage the struts (17) on the foot supports (7).

Secure each strut to the foot support with the rubber strap. Tighten the skid clamp (11), using moderate hand pressure only.

Secure the Velcro retaining strap (6) clear of the skid wheels.

Pressurizing the pedestal

The Vision Ped Plus pedestal may be pressurized using the built-in pump, by using the Vinten Portable Pump or from an external pressure source.

Ascertain the payload to be fitted to the pedestal (payload = pan and tilt head, camera, lens and all ancillary equipment). Referring to the graph (Fig 3), mark the payload on the horizontal axis then strike a vertical line from the load figure to the balance line. At the intersecting point strike a horizontal line to the vertical axis and read off the required gas pressure.

Pressurizing the pedestal using the built-in pump



WARNING! Do not pressurize the pedestal beyond the maximum safe working pressure indicated by the leading edge of the red sector on the gauge. The pedestal is fitted with a pressure relief valve as a safeguard against over-pressurization. Do not attempt to adjust the pressure relief valve. Remove the payload before pumping.

To pressurize the pedestal using the built-in pump, proceed as follows:

Set the control valve (2) to the PUMP position.

Ensure that the bottom clamp (18) is engaged.

Remove the payload, if fitted.

Slacken the on-shot clamp (19).

Push down on the steering ring (20) against any residual pressure and release the safety catch (3) Set the safety catch in the horizontal position.

Using the steering ring (20), raise the top stage until fully extended. Commence pumping by lowering and raising the top stage over the upper half of its travel. When the pressure gauge (22) begins to register, pump the top stage over its full stroke. Stop pumping when the required working pressure is reached during the pumping stroke.



WARNING! A pressurized pedestal will rise rapidly if the control valve is set to WORK. Do not move the control valve directly from PUMP to WORK.

Set the control valve (2) to the midway position between PUMP and WORK and allow the top stage to rise fully.

Set the control valve (2) to the WORK position.

Install the camera mount and payload and balance the load as described below.

Pressurizing the pedestal using the Vinten portable pump



WARNING! Do not pressurize the pedestal beyond the maximum safe working pressure indicated by the leading edge of the red sector on the gauge. The pedestal is fitted with a pressure relief valve as a safeguard against over-pressurization. Do not attempt to adjust the pressure relief valve.

To pressurize the pedestal using the Vinten portable pump, proceed as follows:

Fully depress the moving column (4) and engage the safety catch (3).

On the pump (Fig 4), fold down both the feet (P.3).

Push in the handle release button (P.5) and move the handle (P.1) to the horizontal position, where it will lock.

Pull the hose (P.4) out of its stowage (P.2). Connect the hose to the pedestal charging valve (21).

Position the pump between the legs, standing with both feet on the fold-down feet (P.3).

Grip the handle (P.1) with both hands and, using full steady strokes, pressurize the pedestal to the required pressure. Do not exceed the maximum working pressure, indicated by the leading edge of the red sector on the gauge (22).

Disconnect the hose (P.4) from the pedestal charging valve, but do not refit the Schrader valve cap at this stage. Fit the hose in its stowage (P.2).

Push the pump plunger fully down, push in the handle release button (P.5) and move the handle (P.1) to the vertical position, where it will lock the pump plunger in the closed position.

Fold up both the feet (P.3).

Pressurizing from an external pressure source



WARNING! This pedestal must be pressurized only with clean, dry air or nitrogen. A pressure reducing valve must be fitted to the pressure line between the gas cylinder and the outlet connection of the hose. The reducing valve must be screwed into the gas cylinder outlet. The maximum pressure on the outlet side of the reducing valve must not exceed 9.6 bar (139 psi). Do not pressurize the pedestal beyond the maximum safe working pressure indicated by the leading edge of the red sector on the gauge. The pedestal is fitted with a pressure relief valve as a safeguard against over-pressurization. Do not attempt to adjust the pressure relief valve.

To pressurize the pedestal from an external pressure source, proceed as follows:

Fully depress the moving column (4) and engage the safety catch (3).

Remove the Schrader valve cap (21) and connect the charging line from the pressure source.

Turn on the pressure supply and slowly increase the pedestal pressure to the required pressure. Do not exceed the maximum working pressure, indicated by the leading edge of the red sector on the gauge (22).

Disconnect the charging line, but do not refit the Schrader valve cap at this stage.

Fitting and balancing the load

After pressurization of the pedestal, the camera mounting and payload can be fitted and balanced.



WARNING! Fit the camera mounting and payload with the moving column depressed and the safety catch (3) engaged.

The Vision Ped Plus pedestal is supplied with a 100mm bowl mount which may be removed to enable the standard four-bolt flat mounting plate to be used.

When the camera mount has been secured proceed as follows:

Fit the payload to the fully-depressed top stage of the pedestal, ensuring that all items such as pan bars, prompters, lenses etc, are fitted. Attaching these items at a later stage may upset the pedestal balance.

Push down on the steering ring (20) against any residual pressure and release the safety catch (3) Set the safety catch in the horizontal position. Allow the column to extend fully.

Using the Schrader valve cap (21), carefully reduce the pressure in steps of 0.15- 0.20 bar (2-3 psi) until the payload is correctly balanced. A correctly pressurized pedestal will balance its payload such that it may be moved to any position over the full on-shot stroke with minimum effort and will maintain its position when the steering ring is released.



WARNING! The Schrader valve cap (21) forms a primary pressure seal. Always replace the cap and screw it down finger-tight.

Using the pedestal

Height adjustment

Lower stage

The elevation tube (5) forms the lower stage of the pedestal height adjustment and has a range of 434 mm (17.1 in.). and is pressure-assisted to aid elevation whilst the pedestal is loaded. To adjust the height setting:

Lower the top stage (4) and engage the safety catch (3).

Support the weight of the load by holding the steering ring and then slacken the bottom clamp (18) by turning the red knob counter-clockwise until the lower stage is free to move.

Use the steering ring to set the column at the required height and re-tighten the bottom clamp (18).

Top stage

The top stage of the column has an on-shot stroke of 410 mm (16.1 in.) and the load can be moved over this distance, in balance, by raising or lowering the steering ring.

A clamp (19) for the top stage is fitted to the pedestal. This can be used to hold the top stage in position if fixed-height operation is required. Turn the clamp lever clockwise to apply the clamp and counter-clockwise to release it.

Brakes

Each of the skid wheels is fitted with a foot operated brake (9). The brake is applied by pressing down on the lever situated above the wheel and released by pressing down on the centre 'pop-up' lever which is raised when the brake is on.



WARNING! Always apply the brakes when the pedestal is left unattended.

Cable guards

The cable guards (14) are height-adjustable and should be set as required. Adjustment is carried out by slackening the knobs (15), setting the cable guards at the required height and re-tightening the knobs.

Pedestal movement

The wheels on the studio version of the skid can be locked in the straight-ahead position or set to castor freely. The castor/lock changeover is effected by spring-loaded track lock pins (8) on each wheel assembly. The pins on the folding legs have black knobs and the pin on the fixed leg has a red knob. To engage or disengage a pin, pull it up against the spring and turn through 90°. The pin will only engage with the wheel when the wheel is properly aligned. This arrangement provides castor, track and steer motion.



WARNING! To ensure maximum stability, particularly when moving over uneven ground, reduce pedestal height to a minimum.

Castor motion

For castor motion, disengage all three track locks. The skid can now be moved freely in any direction.

Tracking motion

For tracking motion, engage all three track locks. The skid can now track backwards and forwards in a straight line.

Steer motion

For steer motion:

Position the skid so that the fixed leg (with the red knob) is in the direction of travel.
Disengage the red track lock.

Engage the black track locks.

With the fixed leg of the skid facing forwards the skid can now be moved with a 'steering-type' motion.

Transportation and storage



WARNING! Local, national or international regulations may apply to the transport and storage of pressurized pedestals.

NOTE: It is not necessary to reduce the pedestal pressure prior to transportation or storage. To avoid the possibility of dust or abrasive particles collecting on moving components, set the column to minimum height.

The column and skid may be separated to facilitate transport or storage.

To separate the column and skid:

Lower the top stage (4) and engage the safety catch (3).

Lower the elevation tube (5) as far as possible.

Tighten the bottom clamp (18).

Remove the load.

Release the skid clamp (11) and the rubber securing straps (7). Lift the struts clear of the foot supports.

Use the steering ring to lift the telescopic column vertically until it is clear of the skid assembly, then secure the struts with the retaining strap.



WARNING! The column will be unstable if stood on its base or on the folded struts.

Depress each leg locking plunger on the underside of the skid and fold the legs.

Servicing

General

The Vision Ped Plus pedestal is robustly made to high engineering standards and little attention is required to maintain serviceability save regular cleaning. Attention to the following points will ensure a long and useful service life with minimum need for repair.

Cleaning

During normal studio use, the only cleaning required should be a regular wipe over with a lint-free cloth. Dirt accumulated during storage or periods of disuse may be removed with a semi-stiff brush. Particular attention should be paid to the flats on the top stage of the column.

NOTE: Do NOT use oil or grease on any exposed part of the column. This is unnecessary and traps dirt which acts as an abrasive.

Use out-of-doors will require special attention, especially in adverse conditions. Salt spray must be washed off with fresh water at the earliest opportunity. Do not allow water to enter the column. Sand and dirt acts as an abrasive and should be removed with a semi-stiff brush or vacuum cleaner.

NOTE: Use only detergent-based cleaners. Do NOT use solvent- or oil-based cleaners, abrasives or wire brushes to remove accumulations of dirt, as these damage the protective surfaces.

Routine checks

Check the following points during normal use:

- Check for ageing and cracking of the rubber securing straps and renew if necessary.
- Check the effectiveness of the clamps.
- Check the skid tracking
- Check for radial or side play in the top stage.

Adjustments

Adjustments which may become necessary after considerable use are as follows:

- Taking up wear in the bottom clamp.
- Taking up wear in the top clamp and the skid clamp.
- Skid wheel alignment
- Elimination of radial and side play on the top stage.

Bottom clamp adjustment

(Fig 5)

When applied finger-tight, the 'V' notch on the bottom clamp knob(18) should be within the limits shown. To adjust the bottom clamp:

Remove the hole plug (18.3). Remove the screw (18.2) and washer (18.1) securing knob (18) to the spindle (18.4).

Remove the knob and turn the spindle (18.4) clockwise until finger-tight.

Replace the knob (18) on the spindle (18.4) so that the 'V' notch on the clamp knob is within the limits shown.

Degrease screw (18.2), coat with Loctite 222E and secure knob with washer (18.1) and screw (18.2). Replace hole plug (18.3).

Top clamp and skid clamp adjustment

(Fig 1)

The top clamp (19) and skid clamp (11) are applied and released by turning the handle clockwise or counter-clockwise. Both handles have push-on/pull-off type ratchet adjustment.

To adjust the top and skid clamps pull the clamp handle away from the spindle, rotate it clockwise and release.

Repeat the above procedure, as necessary, until the clamp locks when applied but allows free movement when released.

Skid tracking

(Fig 6)

Adjustments to the tracking of the skid may become necessary after considerable use. Check the tracking as follows:

With the track locks engaged and a payload fitted, the skid should track in a straight line over a distance of 3.6 m (12 feet) with deviation not exceeding 5 cm (2 in.). If this cannot be achieved, the wheels should be re-aligned. When re-aligning the wheels, start by adjusting the wheel with the red locking knob on the fixed leg. This will often correct any alignment problems.

To re-align the skid wheels:

Remove the column from the skid.

Engage the track lock (8) on each castor.

Remove two screws (7.1) from the foot support (7) on the fixed leg and remove the foot support.

Using a suitable spanner remove nut (8.1) (a spanner is available from Vinten Part No. 3319-900SP).

Apply Loctite 242 to the nut, re-install and tighten lightly.

Align the wheel on the fixed leg so that it runs parallel to the leg.

Using a suitable straight line on the studio floor, check that over a distance of 3.6 m (12 feet) the deviation does not exceed 5 cm (2 in.). Re-adjust the wheel until this is achieved. If it cannot be achieved, the wheels on the other two legs should be re-aligned.

Once the wheels have been correctly aligned, tighten nuts (8.1).

Install foot support (7) on each leg and secure with two screws (7.1).

Elimination of radial and side play on the elevation tube or top stage

If excessive radial or side play is apparent on the elevation tube or top stage, refer to the appropriate section in the Maintenance Manual. This adjustment should be carried out by a competent person.

Parts List

The following list includes the main assemblies, user-replaceable spare parts and optional accessories. For further information regarding repair or spare parts, please contact Vinten or your local distributor.

For information on-line, visit our website at:

www.vinten.com

Main assemblies

Vision Ped Plus studio pedestal	V3951-0001
Column	V3951-1000
Studio skid	V3955-0001
100 mm levelling bowl	3330-16

Optional accessories

Vinten portable pump	3357-21
--------------------------------	---------

Einführung

Vielen Dank und herzlichen Glückwunsch, dass Sie sich für das neue Vision Ped *Plus* von Vinten entschieden haben.

Da wir möchten, dass Sie alle Ausstattungsmerkmale Ihres neuen Vision Ped Plus nutzen, bitten wir Sie, diese Bedienungsanleitung aufmerksam zu studieren, um sich mit den vielen Funktionen vertraut zu machen, von denen einige vielleicht neu für Sie sind. Ferner werden in der Bedienungsanleitung wichtige Sicherheitshinweise gegeben, und Sie finden einen Abschnitt "Wartung", der Ihnen hilft, Ihr neues Produkt in optimalem Zustand zu halten.

Um weitere Vorteile zu erhalten, registrieren Sie sich bitte nun bei Vinten - online unter www.vinten.com/register oder schriftlich mit dem beigefügten Formular.

Ausstattungsmerkmale und Vorteile Ihres neuen Vision Ped *Plus*

Das Vision Ped Plus ist exakt nach den Anforderungen von Kameraleuten konzipiert, die mit leichten Studiokameras arbeiten. Das Vision Ped Plus ermöglicht die optimale Kameraführung und bietet eine Vielzahl einzigartiger Ausstattungsmerkmale.

- **Geeignet für zahlreiche professionelle Leichtgewicht-Kameras in Studiokonfiguration mit einem Gesamtgewicht von bis zu 30 kg**
- **Ein neu entwickeltes Gewichtsausgleichssystem gestattet die perfekte Balance über den gesamten Hubbereich von 41 cm**
- **Ein Manometer zeigt den exakten Systemdruck an während des Erzeugens des Betriebsdrucks mit einer externen Druckluftquelle oder der integrierten Pumpe**
- **Das neu entwickelte, Gasdruck-unterstützte untere Hubsäulenelement ermöglicht die Höheneinstellung nahezu ohne Kraftaufwand und bietet beliebige Einstellungen bis zu 159,6 cm**
- **Individuelle Radwinkelfeststeller an den Rädern erlauben freies und geführtes Fahren sowie Geradeaus-Fahrten**
- **Ein verbessertes Parkbremssystem und ruhige Fahreigenschaften**

Nochmals herzlichen Dank für den Kauf des Vision Ped *Plus*.

Wir sind überzeugt davon, dass es Ihnen viele Jahre zuverlässig gute Dienste leisten wird.

Sicherheitshinweise - Unbedingt Zuerst Lesen!

Warnsymbole in dieser Bedienungsanleitung



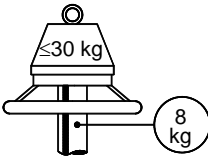
Immer wenn ein Verletzungsrisiko für Sie selbst oder andere Personen besteht, oder das Pedestal oder andere Geräte beschädigt werden könnten, erscheinen entsprechende Warnhinweise, hervorgehoben durch das Wort **WARNUNG!** und das dreieckige Warnsymbol.

Warnsymbole auf dem Pedestal



Wenn Sie auf das dreieckige Warnsymbol und das Symbol eines aufgeschlagenen Buches treffen, müssen Sie unbedingt diese Bedienungsanleitung zu Rate ziehen, bevor Sie das Pedestal einsetzen oder versuchen, irgendwelche Einstellungen oder Wartungsarbeiten bzw. Reparaturen durchzuführen.

Wichtige Daten



Eigengewicht

Hubsäule 8 kg

Rollwagen 5,5 kg

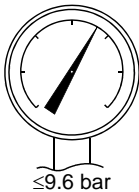
Traglast

Maximale Traglast 30 kg



Betriebsdruck

Maximaler Betriebsdruck 9,6 bar



Technische Daten

Traglast	30 kg
Eigengewicht Hubsäule	8 kg
Eigengewicht Rollwagen	5,5 kg
Pedestal Gesamtgewicht	13,5 kg
Minimale Höhe bis Oberkante Montageplatte für 100 mm Halbkugel-Adapter	75,1 cm
Maximale Höhe bis Oberkante Montageplatte für 100 mm Halbkugel-Adapter	159,5 cm
Minimale Höhe bis Oberkante Flachboden-Montageplatte	63,7 cm
Maximale Höhe bis Oberkante Flachboden-Montageplatte	148,1 cm
"on-air"-Hubbereich	41,0 cm
Raddurchmesser	10,0 cm
Rollwagenbeinradius	55,85 cm
Max. Fahrwagenbreite	95,6 cm
Torweite	73,3 cm
Lenkringdurchmesser	35 cm
Maximaler Betriebsdruck	9,6 bar
Ansprechwert Überdruckventil	10,7 bar

Einsatz

Das Vision Ped Plus ist für den Einsatz in Fernsehstudios und an Originalschauplätzen konzipiert und kann einen Schwenk-/Neigekopf sowie eine Kamera mit Zubehör bis zu einem Gesamtgewicht von 30 kg (66 lb) tragen und ausgleichen.

Dieses Produkt wurde für den Einsatz durch TV-Kameraleute auf einem hindernisfreien und relativ ebenen Untergrund entworfen.



- WARNUNG!**
1. Bei Zweifeln bezüglich der Funktionsweise dieses Pedestals unterlassen Sie bitte seinen Einsatz.
 2. Setzen Sie dieses Produkt **AUSSCHLIESSLICH** für die in der obigen Einsatzerklärung aufgeführten Zwecke ein.
 3. **Wartungsarbeiten, die über die in dieser Bedienungsanleitung beschriebenen Maßnahmen hinausgehen, dürfen nur von kompetentem Fachpersonal entsprechend den in der Wartungsanleitung festgelegten Verfahren durchgeführt werden.**

Inhalt

	Seite
Einführung	19
Sicherheitshinweise - Unbedingt Zuerst Lesen!	20
Wichtige Daten	20
Technische Daten	21
Einführung und Beschreibung	24
Bedienung	
Zusammenbau des Pedestals	25
Erzeugen des Betriebsdrucks	26
Bedienung des Pedestals	28
Wartung	
Allgemeines	31
Reinigung	31
Routine-Wartung	31
Justagen	31
Ersatzteilliste	34
Abbildungen	139

Vision Ped *Plus* Studio Pedestal (Abb. 1)

- (1).....Adapter mit 100 mm Halbschale
- (2)..... Regelventil
- (3)..... Sicherheitssperre
- (4)..... Hubsäule (Tank)
- (5)..... Hubsäulenführung
- (6)..... Klettband
- (7)..... Fußaufnahme und Gummi-Befestigungsglaschen
- (8)..... Radwinkelfeststeller
- (9)..... (Feststeller für) Parkbremse
- (10)..... Feststehendes Rollwagenbein
- (11)..... Rollwagenverriegelung
- (12)..... Hubsäulenaufnahme
- (13)..... Schwenkbares Rollwagenbein
- (14)..... Kabelabweiser
- (15)..... Höhenverstellung für Kabelabweiser
- (16)..... Unterer, feststehender Teil der Hubsäule
- (17)..... Strebe
- (18)..... Feststeller für Hubsäulenführung
..... (unterer, höhenverstellbarer Teil der Hubsäule)
- (19)..... Feststeller für oberen, höhenverstellbarer Teil der Hubsäule
- (20)..... Lenkring
- (21)..... Schrader Ventil und Kappe
- (22)..... Manometer

Einführung und Beschreibung

Das Vision Ped Plus Studio-Pedestal ist ein tragbares pneumatisches Kamerasupport, ausgelegt für Taglasten bis zu 30 kg. Es verfügt über eine zentrale 1-stufige Hubsäule und eine Rollwageneinheit mit schwenkbaren Rädern. Um den Transport zu erleichtern, können die Hubsäule und der Rollwagen getrennt sowie der Rollwagen zusammengeklappt werden.

Die Hubsäuleneinheit besteht aus dem unteren, feststehenden Teil, welcher in der Hubsäulenaufnahme des Rollwagens sitzt und über drei Streben zur Stabilisierung des Pedestals verfügt, der Hubsäulenführung, welche (höhenverstellbar) im unteren, feststehenden Teil sitzt und den Höhenarbeitsbereich des Pedestals bestimmt und der eigentlichen Hubsäule (Tank), die den oberen, höhenverstellbaren Teil des Pedestals darstellt und den Gewichtsausgleich für die Traglast liefert sowie als Pumpe zur Erzeugung des Betriebsdrucks fungiert.

Die Rollwageneinheit besteht aus einer Hubsäulenaufnahme mit Tragegriff, einem feststehenden und zwei schwenkbaren Rollwagenbeinen. An jedem Rollwagenbein befindet sich ein schwenkbares, mit Parkbremse versehenes Rad und eine Fußaufnahme mit Befestigungsgummilaschen. Der Rollwagenräder haben einen Durchmesser von 100 mm, sind mit Kabelabweisern ausgestattet und ermöglichen freies und geführtes Fahren sowie Geradeaus-Fahrten des Pedestals.

Bedienung

Zusammenbau des Pedestals

Rollwagen

(Abb. 2)

Erzeugen des Betriebsdrucks mit der integrierten Pumpe



WARNUNG! Das Pedestal darf **NICHT** über den Maximaldruck hinaus, der durch den Beginn des roten Bereichs auf dem Manometer gekennzeichnet ist, befüllt werden. Zum Schutz gegen Überdruck ist das Pedestal mit einem Sicherheitsventil ausgestattet.

Versuchen Sie NICHT, das Sicherheitsventil einzustellen.

Entfernen Sie die Traglast bevor Sie zu Pumpen beginnen.

Um das Pedestal mit der integrierten Pumpe zu befüllen, gehen Sie wie folgt vor:

Stellen Sie das Regelventil (2) auf die Position PUMP.

Vergewissern Sie sich, dass der Feststeller für die Hubsäulenführung (18) angezogen ist.

Entfernen Sie die Traglast falls montiert.

Lösen Sie den Feststeller für den oberen Teil der Hubsäule (19)

Drücken Sie den Lenkring (20) gegen den Restdruck nach unten und lösen Sie die Sicherheitssperre (3). Stellen Sie die Sicherheitssperre in die horizontale Position.

Heben Sie mit Hilfe des Lenkrings (20) die obere Stufe an bis sie vollständig ausgezogen ist. Beginnen Sie mit dem Pumpen, indem Sie die obere Stufe innerhalb der oberen Hälfte ihres Hubbereichs auf und nieder bewegen. Sowie das Manometer (22) einen Ausschlag zeigt, bewegen Sie die obere Stufe über ihren vollen Hubbereich. Beenden Sie das Pumpen, wenn der erforderliche Betriebsdruck erreicht ist.



WARNUNG! Ein unter Druck stehendes Pedestal schnell nach oben, wenn sich das Regelventil in der Position WORK befindet. Stellen Sie das Regelventil **NICHT DIREKT** von der Position PUMP auf die Position WORK.

Stellen Sie das Regelventil (2) auf die Mittelposition zwischen PUMP und WORK und lassen Sie die obere Stufe ganz nach oben fahren.

Stellen Sie das Regelventil (2) auf die Position WORK.

Montieren Sie die Kamerabefestigung sowie die Traglast und balancieren Sie die Traglast aus, wie weiter unten beschrieben.

Erzeugen des Betriebsdrucks mit der tragbaren Vinten Pumpe



WARNUNG! Das Pedestal darf **NICHT** über den Maximaldruck hinaus, der durch den Beginn des roten Bereichs auf dem Manometer gekennzeichnet ist, befüllt werden. Zum Schutz gegen Überdruck ist das Pedestal mit einem Sicherheitsventil ausgestattet.
Versuchen Sie NICHT, das Sicherheitsventil einzustellen.

Um das Pedestal mit der tragbaren Vinten Pumpe zu befüllen, gehen Sie wie folgt vor:

Drücken Sie die Hubsäule (4) ganz nach unten und rasten Sie die Sicherheitssperre (3) ein.

Klappen Sie die beiden Füße (P.3) der Pumpe (Abb. 5) herunter.

Drücken Sie den Verriegelungsknopf (P.5) des Pumpenhandgriffs und schwenken Sie den Handgriff (P.1) in die waagerechte Position, wo er einrastet.

Ziehen Sie den Druckschlauch (P.4) aus seiner Halterung (P.2) und schließen Sie ihn an das Druckventil (21) des Pedestals an.

Nehmen Sie die Pumpe zwischen Ihre Beine und stellen Sie sich mit beiden Füßen auf die ausklappbaren Pumpenfüße (P.3).

Fassen Sie den Pumpenhandgriff (P.1) mit beiden Händen und beginnen Sie zu pumpen, indem Sie den Kolben der Pumpe gleichmäßig über den gesamten Pumpbereich auf- und abwärts bewegen, bis der erforderliche Betriebsdruck erreicht ist. Achten Sie darauf, dass der Betriebsdruck den Maximalwert, der durch den Beginn des roten Bereichs auf dem Manometer (22) gekennzeichnet ist, nicht übersteigt.

Lösen Sie den Druckschlauch (P.4) vom Druckventil des Pedestals, aber setzen Sie die Schrader Ventilkappe noch nicht wieder auf. Stecken Sie den Druckschlauch wieder zurück in seine Halterung (P.2).

Drücken Sie den Pumpenkolben ganz nach unten und drücken Sie den Verriegelungsknopf (P.5) für den Handgriff (P.1). Schwenken Sie nun den Handgriff in die vertikale Position, womit (auch) der Pumpenkolben fixiert wird.

Klappen Sie die beiden Pumpenfüße (P.3) wieder nach oben.

Erzeugen des Betriebsdrucks mit einem externen Füllgerät



WARNUNG! Dieses Pedestal darf **NUR** mit sauberer, trockener Luft oder Stickstoff gefüllt werden. Zwischen Stickstoffflasche und Füllgerät **MUSS** ein Reduzierventil vorhanden sein. Es muss auf den Gaszylinder geschraubt sein. Der Maximaldruck am Ausgang des Reduzierventils darf 9,6 bar **NICHT** überschreiten. Das Pedestal darf **NICHT** über den Maximaldruck hinaus, der durch den Beginn des roten Bereichs auf dem Manometer gekennzeichnet ist, befüllt werden. Zum Schutz gegen Überdruck ist das Pedestal mit einem Sicherheitsventil ausgestattet.
Versuchen Sie NICHT, das Sicherheitsventil einzustellen.

Um das Pedestal mit einem externen Füllgerät zu befüllen, gehen Sie wie folgt vor:

Drücken Sie die Hubsäule (4) ganz nach unten und rasten Sie die Sicherheitssperre (3) ein.

Entfernen Sie die Schrader Ventilkappe (21) und schließen Sie die Druckleitung des Füllgerätes an.

Öffnen Sie die Druckluft- bzw. Stickstoffversorgung und setzen das Pedestal langsam bis zum erforderlichen Wert unter Druck. Achten Sie darauf, dass der Betriebsdruck den Maximalwert, der durch den Beginn des roten Bereichs auf dem Manometer (22) gekennzeichnet ist, nicht übersteigt.

Lösen Sie die Druckleitung des Füllgerätes, aber setzen Sie die Schrader Ventilkappe noch nicht wieder auf.

Aufsetzen und Ausbalancieren der Traglast

Nachdem das Pedestal mit Druckluft versorgt wurde, kann die Kamerabefestigung und die Traglast montiert und ausbalanciert werden.



WARNUNG! Montieren Sie die Kamerabefestigung und die Traglast nur, wenn die Hubsäule heruntergefahren und die Sicherheitssperre (3) eingerastet ist.

Zur Befestigung des Kopfes verfügt das Vision Ped Plus Pedestal über einen Adapter mit 100 mm Halbschale, der für die Verwendung der standardisierten 4-Schrauben-Kopfbefestigung entfernt werden kann.

Wenn die Kamerabefestigung sicher montiert ist, fahren Sie wie folgt fort:

Montieren Sie die mit allem erforderlichen Zubehör, wie Objektiv, Sucher, Schwenkarm(en), Prompter etc. ausgestattete Kamera auf dem vollständig niedergedrückten oberen, Teil der Hubsäule. Die nachträgliche Montage (oder Demontage) von Zubehör würde ein erneutes Ausbalancieren erfordern.

Drücken Sie den Lenkring (20) gegen den Restdruck nach unten und lösen Sie die Sicherheitssperre (3). Stellen Sie die Sicherheitssperre in die horizontale Position. Lassen Sie die Hubsäule ganz nach oben fahren.

Reduzieren Sie mittels der Schrader Ventilkappe den Druck vorsichtig in Schritten von 0,15 bis 0,20 bar bis die Traglast korrekt ausbalanciert ist. Bei korrektem Betriebsdruck wird das Pedestal die Traglast so ausbalancieren, dass sie mit geringstem Kraftaufwand über den gesamten Hubbereich in jede Position gefahren werden kann und auch dort verbleibt, wenn der Lenkring losgelassen wird.



WARNUNG! Die Schrader Ventilkappe (21) stellt einen ersten Druckverschluss dar. Achten Sie darauf, die Ventilkappe stets wieder aufzusetzen und von Hand festzuschrauben.

Bedienung des Pedestals

Höheneinstellung

Unterer Teil der Hubsäule

Die Hubsäulenführung (5) stellt den unteren Teil der Pedestal-Höhenverstellung dar und bietet einen Höhenbereich von 434 mm. Ist das Pedestal mit Druckluft befüllt, arbeitet er druckluftunterstützt, um die Höhenverstellung zu erleichtern. Um die Höheneinstellung zu verändern, gehen Sie wie folgt vor:

Drücken Sie die Hubsäule (4) ganz nach unten und rasten Sie die Sicherheitssperre (3) ein.

Fangen Sie durch Festhalten des Lenkrings die Traglast ab und lösen Sie den Feststeller für die Hubsäulenführung (18), indem Sie den roten Knopf gegen den Uhrzeigersinn drehen, bis sich der untere Teil der Hubsäule frei bewegen lässt.

Stellen Sie mit Hilfe des Lenkrings die Hubsäule auf die gewünschte Höhe ein und ziehen wieder den Feststeller für die Hubsäulenführung (18) an.

Oberer Teil der Hubsäule

Der obere Teil der Hubsäule bietet einen "on-air"-Hubbereich von 410 mm. Die Traglast kann über diesen Bereich bewegt werden, indem der Lenkring angehoben bzw. gesenkt wird.

Zur Fixierung des oberen Teils der Hubsäule ist ein Feststeller (19) vorhanden. Dieser kann verwendet werden, um den oberen Teil der Hubsäule zu arretieren, wenn mit einer festen Höheneinstellung gearbeitet werden soll. Drehen Sie den Feststeller im Uhrzeigersinn, um ihn zu fixieren und gegen den Uhrzeigersinn, um ihn zu lösen.

Parkbremsen

Die Räder des Rollwagens sind jeweils mit einer per Fuß zu betätigenden Parkbremse (9) ausgestattet. Um die Parkbremsen anzuziehen, drücken Sie die Fußtasten über den Rädern; um die Parkbremsen wieder zu lösen, drücken Sie den mittleren Hebel, der sich aufrichtet, wenn die Parkbremse angezogen ist.



WARNUNG! Ziehen Sie die Parkbremsen immer an, wenn das Pedestal unbeaufsichtigt ist.

Kabelabweiser

Die Kabelabweiser (14) sind höhenverstellbar und können nach Bedarf justiert werden. Um die Höhe der Kabelabweiser zu verstellen, lösen Sie die Einstellknöpfe (15), verschieben der Kabelabweiser auf die gewünschte Höhe und ziehen die Knöpfe wieder an.

Pedestal Fahrten

Die Räder der Studioversion des Rollwagens lassen sich in der Geradeaus-Position arretieren oder frei beweglich einstellen. Die Umschaltung "geradeaus/frei beweglich" erfolgt mit federunterstützten Radwinkelfeststellern (8) an jedem Rad. Die Radwinkelfeststeller an den beweglichen Beinen haben schwarze Knöpfe, der an dem feststehenden Bein hat einen roten

Knopf. Um einen Radwinkelfeststeller einzurasten oder zu lösen, ziehen Sie den Knopf gegen die Federspannung nach oben und drehen ihn um 90°. Der Radwinkelfeststeller rastet nur in dem jeweiligen Rad ein, wenn das Rad korrekt ausgerichtet ist. Dadurch werden freies und geführtes Fahren sowie Geradeaus-Fahrten ermöglicht.



WARNUNG! Um ein Maximum an Stabilität zu erzielen, vor allem bei Fahrten auf unebenem Boden, reduzieren Sie die Höhe des Pedestals soweit wie möglich.

Frei bewegliche Fahrt

Um das Pedestal frei zu fahren, lösen Sie alle drei Radwinkelfeststeller. Nun kann der Rollwagen frei in jede Richtung bewegt werden.

Geradeaus-Fahrt

Um das Pedestal geradeaus zu fahren, rasten Sie alle drei Radwinkelfeststeller ein. Nun kann der Rollwagen in einer geraden Linie vorwärts und rückwärts bewegt werden.

Geführte Fahrt

Für geführtes Fahren:

richten Sie das Pedestal so aus, dass das feststehende Rollwagenbein (mit dem roten Knopf) in Fahrtrichtung weist. Lösen Sie den roten Radwinkelfeststeller.

Rasten Sie die beiden schwarzen Radwinkelfeststeller ein.

Wenn das feststehende Rollwagenbein in Fahrtrichtung weist, kann der Rollwagen nun in einer geführten Fahrt bewegt werden.

Transport und Lagerung



WARNUNG! Beim Transport und der Lagerung des unter Druck stehenden Pedestals sind ggf. lokale, nationale oder internationale Bestimmungen zu beachten.

HINWEIS: Vor dem Transport oder der Lagerung ist es seitens Vinten nicht erforderlich, den Betriebsdruck des Pedestals zu reduzieren. Um zu vermeiden, dass sich Staub oder Schmutz auf den beweglichen Teilen ablagern, stellen Sie die Hubsäule auf die Minimalhöhe ein.

Um den Transport oder die Lagerung zu erleichtern, kann die Hubsäule vom Rollwagen demontiert werden.

Um die Hubsäule vom Rollwagen zu demontieren, gehen Sie wie folgt vor:

Drücken Sie den oberen Teil der Hubsäule (4) ganz nach unten und rasten Sie die Sicherheitssperre (3) ein.

Fahren Sie die Hubsäulenführung (5) soweit wie möglich nach unten.

Arretieren Sie den Feststeller für die Hubsäulenführung (18).

Nehmen Sie die Traglast ab.

Lösen Sie die Rollwagenverriegelung (11) und die drei Gummilaschen (7). Schwenken Sie die Streben nach oben.

Heben Sie die Hubsäule am Lenkring senkrecht aus dem Rollwagen und sichern Sie die Streben mit dem Klettband (18).



WARNUNG! Die Hubsäule steht nicht stabil, wenn sie (ohne Rollwagen) aufgestellt wird.

Drücken Sie die Sicherungsstifte auf der Unterseite des Rollwagens nieder und schwenken Sie die beiden schwenkbaren Beine an das feststehende Rollwagenbein.

Wartung

Allgemeines

Das Vision Ped Plus Pedestal ist nach höchsten Qualitätsanforderungen und sehr robust konstruiert, so dass neben der regelmäßigen Reinigung keine Wartung erforderlich ist. Bei Beachtung der folgenden Punkte wird das Pedestal über einen langen Zeitraum ohne Reparaturen einsatzbereit sein.

Reinigung

Während des normalen Studiobetriebs ist lediglich ein regelmäßiges Abwischen mit einem weichen, fusselreifen Tuch nötig. Schmutz oder Staub, die sich während der Lagerung oder in Zeiten des Nichtgebrauchs angesammelt haben, können mit einer weichen Bürste entfernt werden. Achten Sie dabei besonders auf die Oberfläche der gleitenden Teile der Hubsäule.

HINWEIS: Verwenden Sie an den freiliegenden Teilen der Hubsäule KEIN ÖL oder Fett. Dies ist unnötig und sammelt lediglich Staub und Schmutz an, was wie ein Schleifmittel wirkt.

Beim Außeneinsatz, besonders unter widrigen Umständen, sind einige Vorsichtsmaßnahmen zu treffen. Salziges Spritzwasser muss möglichst sofort mit frischem (Süß-)wasser abgewaschen werden. Vermeiden Sie unbedingt, dass Wasser in die Hubsäule eindringt. Sand und Schmutz wirken wie ein Schleifmittel und sollten mit einer weichen Bürste oder einem Staubsauger beseitigt werden.

HINWEIS: Verwenden Sie nur milde Reinigungsmittel. Benutzen Sie KEINE öl- oder lösungsmittelhaltigen Reiniger, Sandpapier oder eine Stahlbürste zum Entfernen von Verschmutzungen, da hiermit die schützenden Oberflächen beschädigt werden können.

Routine-Wartung

Überprüfen Sie während des Normalbetriebs:

- die Gummilaschen auf Alterung oder Risse und erneuern Sie sie falls erforderlich,
- die einwandfreie Funktion der Feststeller,
- die Spurtreue des Rollwagens,
- dass die Hubsäule kein radiales oder seitliches Spiel hat.

Justagen

Folgende Justagen können nach längerem Betrieb erforderlich werden:

- Nachstellen des Feststellers für die Hubsäulenführung,
- Nachstellen des Feststellers für den oberen Teil der Hubsäule und der Rollwagenverriegelung,
- Nachstellen der Rollwagenräder,

Beseitigen von radialem oder seitlichem Spiel der Hubsäule.

Nachstellen des Feststellers für die Hubsäulenführung

(Abb. 5)

Wenn der Feststellknopf für die Hubsäulenführung (18) von Hand angezogen ist, sollte die V-förmige Kerbe auf dem Knopf innerhalb des dargestellten Bereichs liegen. Um den Knopf nachzustellen, gehen Sie wie folgt vor:

Entfernen Sie Abdeckung (18.3). Entfernen Sie die Sicherungsschraube (18.2) und die Unterlegscheibe (18.1), mit denen der Feststellknopf (18) auf der Achse (18.4) befestigt ist.

Nehmen Sie den Knopf ab und drehen Sie die Achse (18.4) von Hand so weit im Uhrzeigersinn, bis sie mäßig fest sitzt.

Setzen Sie den Knopf (18) wieder so auf die Achse (18.4), dass die V-förmige Kerbe auf dem Knopf innerhalb des dargestellten Bereichs liegt.

Reinigen Sie die Sicherungsschraube (18.2), benetzen Sie sie mit Loctite 222E und befestigen Sie den Knopf wieder mit der Unterlegscheibe (18.1) und Sicherungsschraube (18.2). Setzen Sie die Abdeckung (18.3) wieder auf.

Nachstellen des Feststellers für den oberen Teil der Hubsäule und der Rollwagenverriegelung

(Abb. 1)

Der Feststeller für den oberen Teil der Hubsäule (19) und die Rollwagenverriegelung (11) werden durch Drehen des Griffs im Uhrzeigersinn angezogen und durch Drehen gegen den Uhrzeigersinn gelöst. Beide Griffe sind mit einem Sperrklinkenmechanismus ausgestattet.

Zum Nachstellen der Feststellers für den oberen Teil der Hubsäule und der Rollwagenverriegelung ziehen Sie den Griff gegen die Federspannung nach außen, drehen ihn gegen den Uhrzeigersinn und lassen ihn wieder los.

Wiederholen Sie dies falls erforderlich bis der Feststeller bzw. die Verriegelung greifen, wenn sie angezogen sind und volle Beweglichkeit ermöglichen, wenn sie gelöst sind.

Nachstellen der Spurtreue des Rollwagens

(Abb. 6)

Nach einiger Zeit des Gebrauchs muss ggf. die Geradeaus-Fahrt des Rollwagens nachgestellt werden. Um die Geradeaus-Fahrt zu prüfen, gehen Sie wie folgt vor:

Wenn alle Radwinkelfeststeller eingerastet sind und die Traglast montiert ist, sollte der Rollwagen über eine Strecke von 3,6 m in einer geraden Linie fahren, wobei die seitliche Abweichung maximal 5 cm betragen darf. Ist dies nicht der Fall, sollten die Räder nachgestellt werden. Wenn Sie die Räder ausrichten, beginnen Sie mit dem Rad mit dem roten Knopf an dem feststehenden Rollwagenbein. Oft werden damit bereits die Probleme mit der Geradeaus-Fahrt gelöst.

Um die Räder auszurichten, gehen Sie wie folgt vor:

Nehmen Sie die Hubsäule vom Rollwagen.

Rasten Sie die Radwinkelfeststeller (8) an jedem Rollwagenbein ein.

Entfernen Sie die beiden Schrauben (7.1) von der Fußaufnahme (7) des feststehenden Rollwagenbeins und nehmen die Fußaufnahme ab.

Entfernen Sie mit einem geeigneten Schraubenschlüssel die Mutter (8.1) (ein passender Schraubenschlüssel ist von Vinten unter der Bestellnummer 3319-900SP erhältlich).

Geben Sie Loctite 242 auf die Mutter, setzen Sie sie wieder ein und ziehen Sie sie leicht an.

Richten Sie das Rad des feststehenden Rollwagenbeins parallel zu diesem aus.

Überprüfen Sie mit Hilfe einer geeigneten geraden Linie im Studio, dass die seitliche Abweichung über eine Strecke von 3,6 m nicht mehr als 5 cm beträgt. Stellen Sie das Rad ggf. nach, bis dies der Fall ist. Sollte dies nicht erreicht werden können, müssen die beiden anderen Räder nachgestellt werden.

Wenn Sie die Räder korrekt ausgerichtet haben, ziehen Sie die Muttern (8.1) fest.

Montieren Sie wieder die Fußaufnahme (7) an jedem Rollwagenbein und sichern Sie sie mit den beiden Schrauben (7.1).

Beseitigen von radialem oder seitlichem Spiel der Hubsäulenführung oder der Hubsäule

Falls die Hubsäulenführung oder die Hubsäule übermäßiges radiales oder seitliches Spiel aufweist, lesen Sie bitte im entsprechenden Kapitel des Servicemanuals nach. Diese Einstellungen sollten nur von qualifizierten Fachleuten durchgeführt werden.

Ersatzteilliste

Die folgende Liste enthält die Hauptprodukte, vom Anwender austauschbare Ersatzteile sowie das Sonderzubehör. Für weitere Informationen über Reparaturen und Ersatzteile, wenden Sie sich bitte an die Vinten GmbH oder Ihren Vinten Händler.

Online-Informationen erhalten Sie auf unserer Website unter

www.vinten.com.

Hauptprodukte

Vision Ped Plus Studio-Pedestal	V3951-0001
Hubsäule	V3951-1000
Studio-Rollwagen	V3955-0001
100 mm Halbkugel-Adapter	3330-16

Sonderzubehör

Tragbare Vinten Pumpe	3357-21
-----------------------------	---------

Prefacio

Gracias y felicitaciones por su nuevo pedestal Vision Ped *Plus* de Vinten

Deseamos que le saque el máximo partido a su nuevo Vision Ped Plus y, por ello, le animamos a que lea la presente guía del operador para que se familiarice con sus muchas características, algunas de las cuales es posible que sean nuevas para usted. La guía incluye también información esencial sobre seguridad e higiene, así como una sección acerca del mantenimiento que le permitirá mantener su nuevo equipo en perfectas condiciones.

Para obtener ventajas adicionales regístrese ahora en línea en Vinten visitando www.vinten.com/register, o rellenando el formulario que se adjunta.

Características y ventajas de su nuevo pedestal Vision Ped *Plus*

El Vision Ped Plus ha sido específicamente diseñado para satisfacer las exigentes demandas de los operadores que trabajan con cámaras de estudio ligeras. El Vision Ped Plus ofrece un elevado nivel de control con muchas características exclusivas.

- **Adecuado para una amplia gama de configuraciones de cámaras de estudio ligeras profesionales hasta un máximo de 30 kg (66 libras).**
- **El nuevo sistema de cilindro cónico permite un equilibrio perfecto a todo lo largo de su carrera en toma de 41 cm (16.1 pulgadas)**
- **El manómetro proporciona una indicación clara de la presión del sistema cuando se carga el pedestal desde una fuente externa o bien utilizando de la bomba incorporada.**
- **El nuevo tramo inferior con elevación asistida elimina el esfuerzo necesario para el ajuste de la altura y ofrece una amplia gama de valores fijados de la altura hasta un máximo de 159,5 cm (62.8 pulgadas).**
- **Los dispositivos de bloqueo de la guía de las ruedas individuales permiten la orientación, la dirección y el seguimiento en línea recta.**
- **Un sistema mejorado de frenado de las ruedas asegura una circulación suave continuada**

Una vez más, gracias por haber elegido el Vision Ped *Plus*.

Estamos seguros de que le ofrecerá muchos años de funcionamiento fiable.

Seguridad – léase esto en primer lugar

Símbolos de Advertencia en la Presente Guía del Operador



En aquellos casos en los que existe un riesgo de lesiones personales, de lesiones a otras personas, de daños al pedestal o a los equipos relacionados con el mismo, se incluyen unos comentarios, puestos de relieve por la palabra **¡ADVERTENCIA!** y reforzados por medio del símbolo triangular de advertencia.

Símbolos de advertencia en el pedestal

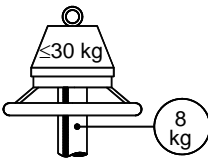


Cuando se encuentren los símbolos del triángulo de advertencia y del libro abierto, es imperativo que se proceda a consultar la presente guía del operador antes de utilizar el pedestal o de intentar cualquier ajuste o reparación.

Datos críticos

Masa

Columna 8 kg (17.6 libras)
Patín 5,5 kg (12.1 libras)



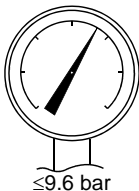
Carga

Carga máxima 30 kg (66 libras)



Presión

Presión máxima 9,6 bar (139 psi)



Datos técnicos

Carga útil	30 kg (66 libras)
Peso de la columna	8 kg (17.6 libras)
Peso del patín.	5,5 kg (12.1 libras)
Peso total del pedestal	13,5 kg (29.7 libras)
Altura mínima hasta la cara de montaje del adaptador de copa de 100 mm	75,1 cm (29.6 pulgadas)
Altura máxima hasta la cara de montaje del adaptador de copa de 100 mm	159,5 cm (62.8 pulgadas)
Altura mínima hasta la cara de montaje plana	63,7 cm (25.1 pulgadas)
Altura máxima hasta la cara de montaje plana	148,1 cm (58.3 pulgadas)
Carrera en toma	41,0 cm (16.1 pulgadas)
Diámetro de las ruedas	10,0 cm (4 pulgadas)
Radio de las patas del patín	55,85 cm (22.0 pulgadas)
Anchura de seguimiento de puerta	95,6 cm (37.6 pulgadas)
Anchura de paso de puerta	73,3 cm (28.9 pulgadas)
Diámetro del volante de la orientación	35,0 cm (13.8 pulgadas)
Presión de trabajo máx.	9,6 bar (139 psi)
Presión de la válvula de seguridad	10,7 bar (155 psi)

Utilización

El pedestal Vision Ped Plus ha sido diseñado para su uso en estudios de televisión y en exteriores al objeto de prestar soporte y equilibrio a un cabezal panorámico y basculante, la cámara y los equipos auxiliares con un peso máximo de 30 kg (66 libras).

El pedestal Vision Ped Plus está previsto para ser utilizado por operadores de cámaras de televisión.



¡ADVERTENCIA! No intente utilizar este pedestal si no comprende la forma de hacerlo funcionar.

El mantenimiento que vaya más allá del que se detalla en la presente Guía del Operador sólo debe ser llevado a cabo por personal competente de conformidad con los procedimientos establecidos en el Manual de Mantenimiento.

Índice

	Página
Prefacio	35
Seguridad – léase esto en primer lugar	36
Datos críticos	36
Datos técnicos	37
Introducción y Descripción	40
Funcionamiento	
Montaje del pedestal	41
Presurización del pedestal	41
Utilización del pedestal	45
Mantenimiento	
Generalidades	48
Limpieza	48
Comprobaciones de rutina	48
Ajustes	48
Lista de piezas	51
Figuras	139

Pedestal de Estudio Vision Ped *Plus* (Fig. 1)

- (1) Adaptador de copa de nivelación de 100 mm
- (2) Válvula de control
- (3) Dispositivo de retención de seguridad
- (4) Conjunto del depósito
- (5) Tubo de la elevación
- (6) Abrazadera de Velcro
- (7) Apoyo de pie y abrazadera
- (8) Pasador de bloqueo de la guía
- (9) Freno
- (10) Pata fija
- (11) Dispositivo de sujeción del patín
- (12) Pieza colada del centro del patín
- (13) Pata plegable
- (14) Protección de los cables
- (15) Pomo de ajuste de la protección de los cables
- (16) Tubo externo
- (17) Puntal
- (18) Dispositivo de sujeción de la parte inferior
- (19) Dispositivo de sujeción en toma
- (20) Aro de la orientación
- (21) Válvula Schrader y tapa
- (22) Manómetro

Introducción y Descripción

El pedestal de estudio Vision Ped Plus es una montura para cámaras neumática, totalmente portátil, diseñado para sostener una carga útil de hasta 30 kg (66 libras). Consiste en una columna telescópica central y un conjunto de patín con ruedas orientables. Para facilitar el transporte, la columna telescópica y el patín pueden ser separados y el patín puede plegarse.

La columna telescópica está constituida por un tubo externo, que queda colocado en el patín y que lleva tres puntales para proporcionar resistencia y estabilidad al pedestal; un tubo de elevación, que está situado en relación con el tubo externo y que define la altura de trabajo del pedestal; y un conjunto de depósito, que forma la parte superior móvil del pedestal, que proporciona la fuerza de equilibrado de la carga útil y actúa como una bomba para la presurización.

El conjunto del patín comprende una pieza colada central con empuñadura de transporte, una pata fija y dos patas plegables. Cada una de las patas lleva una rueda orientable dotada de freno y un apoyo de pie con abrazadera para sostener la columna. El patín lleva ruedas de 100 mm (4 pulgadas) con protecciones para los cables, las cuales proporcionan el movimiento de orientación, de seguimiento o de dirección del pedestal.

Funcionamiento

Montaje del pedestal

Patín

(Fig. 2)

Hacer girar el patín poniéndolo boca arriba, apretar los contactos de presión (13.1) de bloqueo de las patas y hacer girar cada una de las patas plegables (13) hacia fuera hasta que los contactos de presión bloqueen las patas en la posición de totalmente abiertas.

Poner el patín en el suelo sobre sus ruedas y aplicar los frenos (9) de las ruedas.

Columna

Instalar la columna en el patín como sigue:

Alojar completamente el dispositivo de sujeción del patín (11).

Cerciorarse de que la válvula de control (2) está puesta en la posición de TRABAJO (WORK).

Soltar la abrazadera de retención de Velcro (6).

Sujetar la columna telescópica en posición vertical con el volante de la orientación (20) en la parte superior y girar los tres puntales (17) hacia arriba hasta llegar casi a la horizontal.

Levantar el conjunto de la columna sujetándolo por el volante de la orientación y hacerlo bajar verticalmente dentro de la pieza colada central del patín, asegurándose de que el pomo de sujeción de la parte inferior (18) quede alineado con la empuñadura del patín. Acoplar los puntales (17) en los apoyos de pie (7).

Sujetar cada puntal al soporte de pie con la abrazadera de goma. Apretar el dispositivo de sujeción (11) del patín, utilizando únicamente una presión manual moderada.

Asegurar la abrazadera de retención de Velcro (6) separada de las ruedas del patín.

Presurización del pedestal

El pedestal Vision Ped Plus puede ser presurizado utilizando la bomba incorporada, utilizando la Bomba Portátil Vinten o a partir de una fuente de presión externa.

Comprobar la carga útil que se ha de montar en el pedestal (carga útil = cabezal panorámico y basculante, cámara, objetivo y todos los equipos auxiliares). Consultando el gráfico (Fig. 3), marcar la carga útil en el eje horizontal y a continuación trazar una línea vertical desde la cifra de la carga hasta la línea de equilibrado. En el punto de intersección trazar una línea horizontal hasta el eje vertical y efectuar la lectura de la presión de gas requerida.

Presurización de pedestal utilizando la bomba incorporada



¡ADVERTENCIA! No presurizar el pedestal más allá de la presión de trabajo máxima segura indicada por el borde delantero del sector rojo que hay en el manómetro. El pedestal está dotado de una válvula de seguridad de la presión como salvaguarda contra una presurización excesiva.

No se debe intentar ajustar la válvula de seguridad de la presión.

Retirar la carga útil antes de hacer uso de la bomba.

Para presurizar el pedestal utilizando la bomba incorporada, procédase como se indica a continuación:

Poner la válvula de control (2) en la posición de BOMBA (PUMP).

Asegurarse de que el dispositivo de sujeción (18) de la parte inferior esté acoplado.

Retirar la carga útil, si está montada.

Aflojar el dispositivo de sujeción en toma (19).

Empujar hacia abajo el volante de la orientación (20) venciendo cualquier presión residual y soltar el dispositivo de retención de seguridad (3). Poner el dispositivo de retención de seguridad en posición horizontal.

Utilizando el volante de la orientación (20), elevar el tramo superior hasta que quede completamente extendido. Iniciar el bombeo haciendo bajar y subir el tramo superior a lo largo de la mitad superior de su recorrido. Cuando el manómetro (22) empiece a dar indicación, hacer bombear el tramo superior a lo largo de toda la carrera del mismo. Dejar de bombear cuando se alcance la presión de trabajo requerida durante la carrera de bombeo.



¡ADVERTENCIA! Un pedestal presurizado subirá rápidamente si la válvula de control se pone en TRABAJO (WORK). No pasar la válvula de control de una forma directa de BOMBA (PUMP) a TRABAJO (WORK).

Poner la válvula de control (2) en la posición a medio camino entre BOMBA (PUMP) y TRABAJO (WORK) y dejar que el tramo superior ascienda del todo.

Poner la válvula de control (2) en la posición de TRABAJO (WORK).

Instalar la montura de la cámara y la carga útil equilibrando la carga en la forma que se describe más adelante.

Presurización del pedestal utilizando la bomba portátil Vinten



¡ADVERTENCIA! No presurizar el pedestal más allá de la presión de trabajo máxima segura indicada por el borde delantero del sector rojo que hay en el manómetro. El pedestal está dotado de una válvula de seguridad de la presión como salvaguarda contra una presurización excesiva. No se debe intentar ajustar la válvula de seguridad de la presión.

Para presurizar el pedestal haciendo uso de la bomba portátil Vinten, procédase como sigue:

Empujar totalmente hacia abajo la columna móvil (4) y acoplar el dispositivo de retención de seguridad (3).

En la bomba (Fig. 4), desplegar hacia abajo los dos pies (P.3) de la misma.

Empujar hacia adentro el botón (P.5) de liberación de la empuñadura y mover ésta (P.1) hasta la posición horizontal, en donde quedará bloqueada.

Sacar la manguera (P.4) del lugar en donde se guarda (P.2). Conectar la manguera a la válvula de carga del pedestal (21).

Colocarse la bomba entre las piernas, manteniéndose con los dos pies sobre los pies desplegados (P.3) de la bomba.

Sujetar la empuñadura (P.1) con las dos manos y, efectuando unas carreras uniformes completas, presurizar el pedestal hasta la presión requerida. No sobrepasar la presión de trabajo máxima indicada por el borde delantero del sector rojo que hay en el manómetro (22).

Desconectar la manguera (P.4) de la válvula de carga del pedestal, pero no volver a poner la tapa de la válvula Schrader en esta etapa. Colocar la manguera en el sitio para guardarla (P.2).

Empujar completamente hacia abajo el émbolo de la bomba, apretar hacia dentro el botón (P.5) de liberación de la empuñadura y mover dicha empuñadura (P.1) hasta la posición vertical, en donde la misma bloqueará el émbolo de la bomba en la posición de cierre.

Plegar hacia arriba los dos pies de la bomba (P.3).

Presurización desde una fuente de presión externa



¡ADVERTENCIA! Este pedestal sólo debe ser presurizado con aire limpio y seco o con nitrógeno. Debe estar montada una válvula reductora de la presión en la conducción de presión entre la botella del gas y la conexión de salida de la manguera. La válvula reductora debe estar atornillada en la salida de la botella de gas. La presión máxima en el lado de salida de la válvula reductora no debe exceder de 9,6 bar (139 psi). No presurizar el pedestal más allá de la presión de trabajo máxima segura indicada por el borde delantero del sector rojo que hay en el manómetro. El pedestal está dotado de una válvula de seguridad para la descarga de la presión como medida de salvaguarda contra la presurización excesiva.
No se debe intentar ajustar la válvula de seguridad de la presión.

Para presurizar el pedestal desde una fuente de presión externa, procédase como sigue:

Empujar totalmente hacia abajo la columna móvil (4) y acoplar el dispositivo de retención de seguridad (3).

Retirar la tapa de la válvula Schrader (21) y conectar la conducción de carga procedente de la fuente de presión.

Abrir el suministro de presión y aumentar lentamente la presión en el pedestal hasta alcanzar la presión requerida. No sobrepasar la presión de trabajo máxima indicada por el borde delantero del sector rojo que hay en el manómetro (22).

Desconectar la conducción de carga, pero no volver a poner la tapa de la válvula Schrader en esta etapa.

Montaje y equilibrado de la carga

Después de la presurización del pedestal, se puede proceder al montaje y el equilibrado de la montura de la cámara y de la carga útil.



¡ADVERTENCIA! Montar la montura de la cámara y la carga útil con la columna móvil bajada y el dispositivo de retención de seguridad (3) acoplado.

El pedestal Vision Ped Plus se suministra con una montura de copa de 100 mm que puede ser retirada para permitir la utilización de la placa de montura plana estándar de cuatro pernos.

Cuando la montura de la cámara haya quedado bien sujeta, procédase como sigue:

Montar la carga útil en el tramo superior completamente apretado hacia abajo del pedestal, asegurándose de que todos los elementos, tales como los brazos panorámicos, los apuntadores, los objetivos, etc., queden montados. La colocación de estos elementos en una etapa posterior puede trastornar el equilibrio del pedestal.

Empujar hacia abajo el volante de la orientación (20) venciendo cualquier presión residual que pueda haber y liberar el dispositivo de retención de seguridad (3). Poner el

dispositivo de retención de seguridad en la posición horizontal. Dejar que la columna se extienda por completo.

Utilizando la tapa (21) de la válvula Schrader, reducir con cuidado la presión en saltos de 0,15 a 0,20 bar (2 - 3 psi) hasta que la carga útil quede correctamente equilibrada. Un pedestal que está correctamente presurizado equilibrará su carga útil de forma que pueda ser desplazada hasta cualquier posición a lo largo de toda la carrera en toma con el mínimo esfuerzo y mantendrá la posición de la misma cuando se suelte el volante de la orientación.



¡ADVERTENCIA! La tapa (21) de la válvula Schrader constituye una junta de estanqueidad primaria de la presión. Volver a colocar siempre la tapa y enroscarla apretándola sólo con los dedos.

Utilización del pedestal

Ajuste de la altura

Tramo inferior

El tubo de la elevación (5) constituye la etapa inferior del ajuste de la altura del pedestal y tiene un margen de desplazamiento de 434 mm (17.1 pulgadas), disponiendo de un sistema de presión de asistencia para ayudar a la elevación mientras el pedestal está cargado. Para ajustar el valor fijado para la altura:

Hacer descender el tramo superior (4) y acoplar el dispositivo de retención de seguridad (3).

Sostener el peso de la carga sujetando el volante de la orientación y a continuación aflojar el dispositivo de sujeción de la parte inferior (18) haciendo girar el pomo de color rojo en sentido antihorario hasta que el tramo inferior tenga libertad para moverse.

Utilizar el volante de la orientación para fijar la columna a la altura requerida y volver a apretar el dispositivo de sujeción de la parte inferior (18).

Tramo superior

El tramo superior de la columna tiene una carrera en toma de 410 mm (16.1 pulgadas) y la carga puede ser desplazada a lo largo de esta distancia, en equilibrio, haciendo subir o bajar el volante de la orientación.

El pedestal lleva montado un dispositivo de sujeción (19) para el tramo superior. Este dispositivo puede ser utilizado para sujetar el tramo superior en posición cuando se requiere el funcionamiento a una altura fija. Hacer girar la palanca del dispositivo de sujeción en sentido horario para aplicarlo y en sentido contrario para soltarlo.

Frenos

Cada una de las ruedas del patín está dotada de un freno (9) que se acciona con el pie. El freno se aplica apretando hacia abajo sobre la palanca situada encima de la rueda y se libera apretando hacia abajo sobre la palanca 'emergente' central que queda en posición elevada cuando el freno está puesto.



¡ADVERTENCIA! Aplicar siempre los frenos cuando el pedestal queda sin nadie que lo atienda.

Protecciones para los cables

Las protecciones (14) para los cables son ajustables en altura y deberán regularse de acuerdo con lo que sea necesario. El ajuste se lleva a cabo aflojando los pomos (15), poniendo las protecciones para los cables a la altura requerida y volviendo a apretar los pomos.

Movimiento del pedestal

Las ruedas que hay en la versión de estudio del patín pueden ser bloqueadas en la posición recto al frente o ajustadas para que se orienten libremente. La conmutación entre las posiciones de orientación y de bloqueo se lleva a cabo por medio de unos pasadores de bloqueo (8) de la guía, con muelle antagonista, que hay en cada conjunto de rueda. Los pasadores de las patas plegables llevan unos pomos negros, mientras que el pasador de la pata fija lleva el pomo de color rojo. Para acoplar o desacoplar un pasador, tirar del mismo venciendo la resistencia del muelle antagonista y hacerlo girar 90°. El pasador sólo se acoplará en la rueda si ésta se encuentra correctamente alineada. Esta disposición permite disponer de movimientos de orientación, de seguimiento y de dirección.



¡ADVERTENCIA! Para asegurar una estabilidad máxima, en particular cuando el desplazamiento se realiza sobre un suelo desigual, reducir la altura del pedestal al mínimo.

Movimiento de orientación

Para el movimiento de orientación, desacoplar los tres dispositivos de bloqueo de la guía. El patín puede ahora desplazarse libremente en cualquier dirección.

Movimiento de seguimiento

Para el movimiento de seguimiento, acoplar los tres dispositivos de bloqueo de la guía. El patín puede ahora guiarse hacia delante y hacia atrás siguiendo una línea recta.

Movimiento de dirección

Para el movimiento de dirección:

Colocar el patín de forma que la pata fija (la que lleva el pomo rojo) esté en la dirección del desplazamiento. Desacoplar el dispositivo de bloqueo de la guía con el pomo de color rojo.

Acoplar los dispositivos de bloqueo de la guía de color negro.

Con la pata fija del patín mirando hacia delante, el patín puede ahora ser desplazado con un movimiento del 'tipo de dirección'.

Transporte y almacenamiento



¡ADVERTENCIA! Las disposiciones locales, nacionales o internacionales pueden ser de aplicación en el transporte y almacenamiento de pedestales presurizados.

NOTA: No es necesario reducir la presión del pedestal antes de su transporte o almacenamiento. Para evitar la posibilidad de que se deposite polvo o partículas abrasivas sobre los componentes móviles, se debe poner la columna en su altura mínima.

La columna y el patín pueden ser separados para facilitar su transporte o almacenamiento.

Para separar la columna y el patín:

Hacer descender el tramo superior (4) y acoplar el dispositivo de retención de seguridad (3).

Hacer descender el tubo de la elevación (5) tanto como sea posible.

Apretar el dispositivo de sujeción de la parte inferior (18).

Retirar la carga.

Soltar el dispositivo de sujeción del patín (11) y las abrazaderas de fijación (7) de goma. Elevar los puntales separándolos de los apoyos de los pies.

Utilizar el volante de la orientación para elevar la columna telescópica verticalmente hasta que quede separada del conjunto del patín, y a continuación sujetar los puntales con la abrazadera de retención.



¡ADVERTENCIA! La columna será inestable si se deja de pie sobre su base o sobre los puntales plegados.

Apretar los contactos de presión de bloqueo de cada una de las patas que se encuentran en la cara inferior del patín y plegar las patas.

Mantenimiento

Generalidades

El pedestal Vision Ped Plus está fabricado de manera robusta de acuerdo con unos elevados estándares de ingeniería y, salvo la limpieza regular del mismo, se requieren pocas atenciones para mantenerlo en buen estado de servicio. La atención que se preste a los puntos siguientes asegurará una prolongada vida útil de servicio con unas necesidades de reparación mínimas.

Limpieza

Durante la utilización normal en el estudio, la única limpieza necesaria será un restregado regular con un trapo limpio que no deje borra. La suciedad acumulada durante el almacenaje o los períodos en los que no se haga uso del pedestal puede ser eliminada utilizando un cepillo semi-rígido. Deberá prestarse una especial atención a las partes planas que hay en el tramo superior de la columna.

NOTA: NO usar aceite ni grasa en ninguna parte de la columna que quede al descubierto. Es innecesario y sólo sirve para atrapar suciedad que actúa como un abrasivo.

La utilización en exteriores, en especial bajo condiciones atmosféricas adversas, exigirá atenciones especiales. El rociado de sal deberá ser eliminado por medio de un lavado con agua dulce tan pronto como sea posible. No se debe permitir que entre agua en la columna. La arena y la tierra actúan como un abrasivo y deberán eliminarse usando un cepillo semi-rígido o una aspiradora de vacío.

NOTA: Utilizar únicamente productos de limpieza a base de detergentes. NO utilizar productos para limpieza a base de disolventes o aceites, ni abrasivos o cepillos de alambre metálico para eliminar las acumulaciones de suciedad, ya que los mismos dan lugar al deterioro de las superficies de protección.

Comprobaciones de rutina

Comprobar los siguientes puntos durante la utilización normal:

- Comprobar si se ha producido envejecimiento y agrietamiento de las abrazaderas de goma y sustituirlas si es necesario.
- Comprobar la eficacia de los dispositivos de sujeción.
- Comprobar el movimiento de seguimiento del patín.
- Comprobar que no haya juego radial o lateral en el tramo superior.

Ajustes

Los ajustes que pueden resultar necesarios después de un período de uso considerable son como sigue:

- Compensación del desgaste en el dispositivo de sujeción de la parte inferior.

Compensación del desgaste en el dispositivo de sujeción superior y en el dispositivo de sujeción del patín.

Alineación de las ruedas del patín.

Eliminación del juego radial y lateral del tramo superior.

Ajuste del dispositivo de sujeción de la parte inferior

(Fig. 5)

Cuando es aplicado apretándolo con los dedos, la muesca en forma de 'V' que hay en el pomo (18) del dispositivo de sujeción de la parte inferior deberá quedar dentro de los límites indicados. Para ajustar el dispositivo de sujeción de la parte inferior:

Quitar el tapón (18.3). Quitar el tornillo (18.2) y la arandela (18.1) que sujetan el pomo (18) al husillo (18.4).

Sacar el pomo y hacer girar el husillo (18.4) en sentido horario hasta dejarlo apretado sólo con la fuerza de los dedos.

Volver a poner el pomo (18) sobre el husillo (18.4) de forma que la muesca en forma de 'V' que hay en el pomo del dispositivo de sujeción quede dentro de los límites indicados.

Desengrasar el tornillo (18.2), untarlo con Loctite 222E y sujetar el pomo con la arandela (18.1) y el tornillo (18.2). Volver a poner el tapón (18.3).

Ajuste de los dispositivos de sujeción superior y del patín

(Fig. 1)

El dispositivo de sujeción superior (19) y el del patín (11) se aplican y se liberan haciendo girar la empuñadura en sentido horario o en sentido contrario. Ambas empuñaduras llevan un ajuste de trinquete del tipo de apriete/tracción.

Para ajustar el dispositivo de sujeción superior y el del patín, tirar de la empuñadura del dispositivo de sujeción separándola del husillo, hacerla girar en sentido horario y soltarla.

Repetir el procedimiento anterior tantas veces como sea necesario hasta que el dispositivo de sujeción quede bloqueado cuando se aprieta, pero permitiendo el libre movimiento al ser soltado.

Seguimiento del patín

(Fig. 6)

Los ajustes en el seguimiento del patín pueden resultar necesarios después de un período prolongado de uso. Comprobar el seguimiento tal como se indica a continuación:

Con los dispositivos de bloqueo de la guía acoplados y una carga útil montada sobre el pedestal, el patín deberá desplazarse siguiendo una línea recta a lo largo de una distancia de 3,6 m (12 pies) sin que la desviación exceda de los 5 cm (2 pulgadas). Si esto no puede conseguirse, deberá procederse a una realineación de las ruedas. Cuando se realineen las ruedas, hay que empezar ajustando la rueda que lleva el pomo de bloqueo rojo en la pata fija. Muchas veces esto permite corregir cualesquiera problemas de alineación.

Para realinear las ruedas del patín:

Retirar la columna del patín.

Acoplar el dispositivo de bloqueo de la guía (8) en cada una de las ruedas orientables.

Quitar los dos tornillos (7.1) del apoyo (7) del pie que hay en la pata fija y retirar el apoyo del pie.

Con una llave adecuada quitar la tuerca (8.1) (Vinten tiene disponible una llave: N° de Referencia 3319-900SP).

Aplicar Loctite 242 a la tuerca, volverla a colocar y apretarla ligeramente.

Alinear la rueda que hay en la pata fija de forma que corra paralela a la pata.

Utilizando una línea recta adecuada sobre el suelo del estudio, comprobar que a lo largo de una distancia de 3,6 m (12 pies) la desviación no excede de los 5 cm (2 pulgadas). Reajustar la rueda hasta conseguirlo. Si no es posible conseguirlo, se deberá proceder a realinear las ruedas que hay en las otras dos patas.

Una vez que las ruedas hayan quedado alineadas de la manera correcta, apretar las tuercas (8.1).

Colocar los apoyos de pie (7) en cada una de las patas y sujetarlos con los dos tornillos (7.1).

Eliminación del juego radial y lateral en el tubo de la elevación o en el tramo superior

Si es evidente la existencia de un juego radial o lateral excesivo en el tubo de la elevación o en el tramo superior, consultar la sección apropiada del Manual de Mantenimiento. Este ajuste deberá ser llevado a cabo por una persona competente a este respecto.

Lista de piezas

La lista siguiente incluye los conjuntos principales, las piezas de repuesto que pueden ser sustituidas por el usuario y los accesorios opcionales. Para más información con respecto a piezas para reparaciones o de repuesto, póngase en contacto con Vinten Broadcast Limited o con su distribuidor local.

Para información online, visite nuestro sitio web en:

www.vinten.com

Conjuntos principales

Pedestal de estudio Vision Ped Plus	V3951-0001
Columna	V3951-1000
Patín de estudio	V3955-0001
Copa de nivelación de 100 mm	3330-16

Accesorios opcionales

Bomba portátil Vinten	3357-21
-----------------------------	---------

Préface

Nous tenons à vous remercier et vous féliciter pour votre nouveau pied Vision Ped *Plus* de Vinten.

Nous souhaitons vous voir tirer le meilleur parti de votre nouveau pied Vision Ped Plus ; nous vous encourageons donc à lire le présent guide de l'opérateur pour vous familiariser avec ses principales fonctionnalités, dont certaines pourront vous paraître nouvelles. Par ailleurs, le présent guide apporte les informations essentielles relatives à la sécurité et à l'hygiène ; il illustre également une rubrique consacrée à la maintenance qui vous permettra de garder votre nouveau produit en parfait état.

Si vous souhaitez bénéficier d'avantages complémentaires, veuillez vous enregistrer maintenant auprès de Vinten en ligne en surfant sur le site www.vinten.com/register ou en complétant le formulaire ci-joint.

Fonctionnalités et avantages de votre nouveau pied Vision Ped *Plus*

Le pied Vision Ped Plus a été spécifiquement conçu pour répondre à la demande exigeante des caméramans travaillant avec des caméras légères pour studio. Il offre un niveau élevé de contrôle et dispose de bon nombre de fonctionnalités uniques.

- **Il convient à une vaste gamme de configurations de caméras légères pour studio pesant jusqu'à 30 kg.**
- **Son nouveau système à vérin fuselé permet un équilibrage parfait par le biais de sa course utile complète de 41 cm.**
- **Sa jauge de pression indique clairement la pression du système lorsque vous chargez le pied à partir d'une source externe ou en utilisant la pompe intégrée.**
- **La nouvelle extension inférieure avec assistance à l'élévation permet le réglage en hauteur et offre une vaste gamme de réglages en hauteur jusqu'à une hauteur maximale de 159,5cm.**
- **Les blocages de direction avec roues individuelles permettent le pivotement, le braquage et le travelling en ligne droite.**
- **Le système amélioré avec blocage des roues garantit une course continue régulière.**

Nous vous remercions une fois encore d'avoir choisi le pied Vision Ped *Plus*.

Nous sommes persuadés que vous pourrez l'utiliser de manière fiable pendant bon nombre d'années.

Sécurité – lisez d’abord ceci

Symboles d’avertissement pour le présent guide de l’opérateur



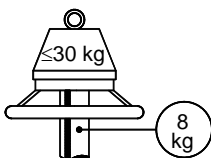
Lorsque le pied ou tout équipement y associé présente un risque de blessure personnelle voire de blessure à autrui, des commentaires s’affichent ; ils sont mis en évidence par le terme **AVERTISSEMENT** et illustrés par le symbole d’avertissement triangulaire.

Symboles d’avertissement présents sur le pied



Dès que vous rencontrez le triangle d’avertissement ou les symboles de livre ouvert, il est impératif que vous consultiez le présent guide de l’opérateur avant d’utiliser le pied voire de tenter une réparation ou un réglage quelconque.

Données cruciales



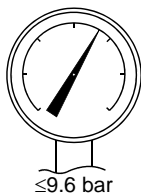
Masse

Colonne 8 kg
Chariot 5,5 kg



Charge

Charge maximale 30 kg



Pression

Pression maximale 9,6 bars

Spécifications techniques

Capacité de charge	30 kg
Poids de colonne	8 kg
Poids du chariot	5,5 kg
Poids total du pied	13,5 kg
Hauteur minimale jusqu'à la face de l'adaptateur avec niveau à bulle 100 mm	75,1 cm
Hauteur maximale jusqu'à la face de l'adaptateur avec niveau à bulle 100 mm	159,5 cm
Hauteur minimale jusqu'à la face plate de montage	63,7 cm
Hauteur maximale jusqu'à la face plate de montage	148,1 cm
Course utile	41,0 cm
Diamètre de roue	10,0 cm
Rayon de la jambe du chariot	55,85 cm
Largeur travelling de porte	95,6 cm
Largeur porte de transit	73,3 cm
Diamètre volant de direction	35,0 cm
Pression de service max	9,6 bars
Pression clapet de décharge	10,7 bars

Usage

Le pied Vision Ped Plus est conçu pour une utilisation dans les studios de télévision et dans certains endroits en vue de supporter et d'équilibrer une tête fluide, une caméra et un équipement auxiliaire pesant jusqu'à 30 kg (66 lb).

Le pied Vision Ped Plus sera employé par des caméramans de télévision.



ATTENTION ! Si vous ne comprenez pas comment faire fonctionner ce pied, n'essayez en aucun cas de l'utiliser. Outre celle détaillée dans le présent guide de l'opérateur, la maintenance devra être menée à bien par un personnel compétent conformément aux procédures stipulées dans le guide d'entretien.

Sommaire

	Page
Préface	53
Sécurité – lisez d’abord ceci	54
Données cruciales	54
Spécifications techniques	55
Introduction et description	58
Fonctionnement	
Assembler le pied	59
Pressuriser le pied	59
Utiliser le pied	63
Entretien	
Généralités	66
Nettoyage	66
Vérifications régulières	66
Ajustements	67
Liste des pièces	69
Figures	139

Pied Vision Ped *Plus* – version studio (Fig 1)

- (1) Adaptateur avec niveau à bulle 100 mm
- (2) Vanne de commande
- (3) Crochet de sécurité
- (4) Assemblage du réservoir
- (5) Tube d'élévation
- (6) Sangle en velcro
- (7) Sangle et support pour pieds
- (8) Goupille de sécurité de direction
- (9) Frein
- (10) Jambe fixe
- (11) Système de blocage du chariot
- (12) Pivot central du chariot
- (13) Jambe pliable
- (14) Guide-câble
- (15) Bouton de réglage du guide-câble
- (16) Tube extérieur
- (17) Entretoise
- (18) Système de blocage de la partie inférieure
- (19) Système de blocage de la course utile
- (20) Volant de direction
- (21) Bouchon et vanne Schrader
- (22) Jauge de pression

Introduction et description

Le pied Vision Ped Plus version est un pied pneumatique pour caméra entièrement portable, conçu pour supporter une charge allant jusqu'à 30 kg. Il dispose d'une colonne centrale télescopique et d'un chariot sur roues pivotantes. Pour faciliter le transport, la colonne télescopique et le chariot peuvent être séparés et le chariot plié.

La colonne télescopique se compose d'un tube extérieur qui se situe sur le chariot et de trois entretoises visant la stabilité et la solidité du pied ; d'un tube d'élévation, qui est positionné par rapport au tube extérieur et qui définit la hauteur de travail du pied ; ainsi que d'un réservoir, qui forme la partie supérieure amovible du pied, fournit la force d'équilibrage de la charge et sert de pompe à pressurisation.

Le chariot englobe un pivot central avec une poignée de transport, une jambe fixe et deux jambes pliables. Chacune des jambes est munie d'une roue pivotante avec frein et d'un support pour pieds avec sangle en vue de soutenir la colonne. Le chariot dispose de roues de 100 mm avec guide-câbles et blocages de direction qui permettent le pivotement, le braquage ou le travelling en ligne droite du pied.

Fonctionnement

Assembler le pied

Chariot

(Fig 2)

Mettez le chariot sur l'envers, dépressurisez les pistons de verrouillage des jambes (13.1) et faites basculer chaque jambe pliable (13) jusqu'à ce que les pistons verrouillent les jambes en position complètement ouverte.

Posez le chariot à même le sol sur ses roues et faites fonctionner les freins de roue (9).

Colonne

Installez la colonne sur le chariot comme suit:

Desserrez complètement le système de blocage du chariot (11).

Assurez-vous que la vanne de commande (2) est en position WORK.

Relâchez la sangle de blocage en velcro (6).

Maintenez la colonne télescopique verticalement avec le volant de direction (20) au-dessus et faites basculer les trois entretoises (17) vers le haut pratiquement à l'horizontale.

Soulevez la colonne par le volant de direction et abaissez-la verticalement dans le pivot central du chariot tout en veillant à ce que le bouton de blocage de la partie inférieure (18) s'aligne sur la poignée du chariot. Engagez les entretoises (17) dans les supports pour pieds (7).

Fixez chaque entretoise sur le support à l'aide d'une sangle en caoutchouc. Serrez le système de blocage du chariot (11) en utilisant une pression manuelle modérée uniquement.

Fixez la sangle de blocage en velcro (6) à distance des roues du chariot.

Pressuriser le pied

Vous pouvez pressuriser le pied Vision Ped Plus à l'aide de la pompe intégrée, de la pompe portable Vinten ou à partir d'une source de pression externe.

Assurez-vous que la charge est fixée au pied (charge = tête fluide, caméra, objectif et tout l'équipement auxiliaire). Conformément au graphique (Fig 3), marquez la charge sur l'axe horizontal, tracez ensuite une ligne verticale à partir du chiffre de la charge jusqu'à la ligne d'équilibre. Au point d'intersection, tracez une ligne horizontale vers l'axe vertical et relevez la pression de gaz requise.

Pressuriser le pied à l'aide de la pompe intégrée



ATTENTION ! Ne pressurisez pas le pied au-delà de la pression de sécurité maximale indiquée par la limite de la zone rouge sur la jauge. Le pied est équipé d'un clapet de décharge en guise de protection contre une surpressurisation.

Ne tentez pas d'ajuster le clapet de décharge.

Retirez la charge avant de pomper.

Pour pressuriser le pied à l'aide de la pompe intégrée, procédez comme suit :

Mettez la vanne de commande (2) en position PUMP.

Assurez-vous que le système de blocage de la partie inférieure (18) est engagé.

Retirez la charge s'il y a lieu.

Relâchez le système de blocage de la course utile (19).

Appuyez sur le volant de direction (20) contre toute pression résiduelle et relâchez le crochet de sécurité (3). Positionnez le crochet de sécurité à l'horizontale.

A l'aide du volant de direction (20), soulevez l'extension supérieure jusqu'à extension complète. Commencez à pomper en abaissant et soulevant l'extension supérieure au-delà de la moitié supérieure de son déplacement. Lorsque la jauge de pression (22) commence à enregistrer, pompez l'extension supérieure au-delà de sa course complète. Arrêtez de pomper lorsque la pression requise est atteinte pendant la course de pompage.



ATTENTION ! Un pied pressurisé se soulèvera rapidement si la vanne de commande est positionnée en mode WORK. Ne faites pas passer directement la vanne de commande de PUMP à WORK.

Mettez la vanne de commande (2) à mi-chemin entre les positions PUMP et WORK et laissez l'extension supérieure monter complètement.

Mettez la vanne de commande (2) en position WORK.

Installez le dispositif de suspension et la charge ; équilibrez la charge comme décrit ci-après.

Pressuriser le pied à l'aide de la pompe portable Vinten



ATTENTION ! Ne pressurisez pas le pied au-delà de la pression de sécurité maximale indiquée par la limite de la zone rouge sur la jauge. Le pied est équipé d'un clapet de décharge en guise de protection contre une surpressurisation. Ne tentez pas d'ajuster le clapet de décharge.

Pour pressuriser le pied à l'aide de la pompe portable Vinten, procédez comme suit:

Dépressurisez complètement la colonne mobile (4) et engagez le clapet de sécurité (3).

Sur la pompe (Fig 4), pliez les deux pieds (P.3).

Poussez sur le bouton de relâchement de la poignée (P.5) et déplacez la poignée (P.1) en position horizontale, position à laquelle elle sera verrouillée.

Tirez le tuyau (P.4) hors de son espace de rangement (P.2). Connectez le tuyau à la vanne de charge du pied (21).

Placez la pompe entre les jambes, debout les deux pieds sur les pieds rabattables (P.3).

Saisissez la poignée (P.1) des deux mains et, en utilisant des courses complètes stables, pressurisez le pied à la pression souhaitée. Ne dépassez pas la pression limite maximale indiquée par la limite de la zone rouge sur la jauge (22).

Déconnectez le tuyau (P.4) de la vanne de charge du pied mais ne remettez pas le capuchon de la vanne Schrader à ce stade. Remplacez le tuyau dans son espace de rangement (P.2).

Poussez le piston de la pompe complètement vers le bas, appuyez sur le bouton de relâchement de la poignée (P.5) et déplacez la poignée (P.1) en position verticale, position à laquelle le piston de la pompe sera verrouillé en position fermée.

Pliez les deux pieds vers le haut (P.3).

Pressuriser le pied à partir d'une source de pression externe



ATTENTION ! Ce pied ne peut être pressurisé qu'avec du gaz épuré et sec ou de l'azote. Une vanne de détente doit être installée sur la canalisation sous pression entre la bouteille de gaz et la connexion de sortie du tuyau. Cette vanne doit être vissée dans la sortie de la bouteille de gaz. La pression maximale sur le côté de la sortie de la vanne ne devra en aucun cas dépasser 9,6 bars (139 psi). Ne pressurisez pas le pied au-delà de la pression limite maximale indiquée via la limite de la zone rouge de la jauge. Le pied est équipé d'un clapet de décharge en guise de protection contre une surpressurisation.
Ne tentez pas d'ajuster le clapet de décharge.

Pour pressuriser le pied à partir d'une source de pression externe, procédez comme suit:

Dépressurisez complètement la colonne mobile (4) et engagez le clapet de sécurité (3).

Retirez le capuchon de la vanne Schrader (21) et connectez la tubulure de charge à partir de la source de pression.

Mettez l'alimentation de pression sous tension et augmentez lentement la pression du pied jusqu'à obtention de la pression requise. Ne dépassez pas la pression limite maximale indiquée par la limite de la zone rouge sur la jauge (22).

Déconnectez la tubulure de charge mais ne remettez pas le capuchon de la vanne Schrader à ce stade.

Fixer et équilibrer la charge

Une fois la pressurisation du pied terminée, la charge et le dispositif de suspension peuvent être montés et équilibrés.



ATTENTION ! Montez le dispositif de suspension et la charge avec la colonne mobile dépressurisée et le clapet de sécurité (3) engagé.

Le pied Vision Ped Plus est fourni avec un niveau à bulle 100mm que vous pouvez retirer pour pouvoir utiliser la queue d'aronde standard à quatre vis.

Une fois le dispositif de suspension fixé, procédez comme suit:

Positionnez la charge sur l'extension supérieure entièrement dépressurisée du pied en veillant à ce que tous les éléments, tels que les manches, les prompts, les objectifs, etc., soient fixés. Si vous attachez ces éléments ultérieurement, vous pourrez mettre en péril l'équilibre du pied.

Appuyez le volant de direction vers le bas (20) contre la pression résiduelle et relâchez le clapet de sécurité (3). Mettez le clapet de sécurité à l'horizontale. Laissez la colonne s'étendre entièrement.

A l'aide du capuchon de vanne Schrader (21), réduisez soigneusement la pression par étapes de 0,15- 0,20 bars (2-3 psi) jusqu'à ce que la charge soit équilibrée correctement. Un pied bien pressurisé équilibrera sa charge de manière à ce qu'elle puisse être mise dans n'importe quelle position au-delà de la course utile complète en un minimum d'efforts et maintiendra sa position lorsque le volant de direction sera relâché.



ATTENTION ! Le capuchon de vanne Schrader (21) forme un joint d'étanchéité essentiel. Remplacez toujours le capuchon et vissez-le au doigt.

Utiliser le pied

Réglage en hauteur

Extension inférieure

Le tube d'élévation (5) forme l'extension inférieure du réglage en hauteur du pied ; il s'agit d'un tube avec une portée de 434 mm et d'un tube à pression aidant à l'élévation lorsque le pied est chargé. Pour régler la hauteur, procédez comme suit:

Baissez l'extension supérieure (4) et engagez le clapet de sécurité (3).

Supportez le poids de la charge en tenant le volant de direction et relâchez ensuite le système de blocage de la partie inférieure (18) en tournant le bouton rouge dans le sens inverse des aiguilles d'une montre jusqu'à ce que l'extension inférieure puisse se déplacer librement.

Utilisez le volant de direction pour régler la colonne à la hauteur requise et resserrez le système de blocage de la partie inférieure (18).

Extension supérieure

L'extension supérieure de la colonne dispose d'une course utile de 410 mm et la charge peut être déplacée sur cette distance, en parfait équilibre, en soulevant et en abaissant le volant de direction.

Un système de blocage (19) pour l'extension supérieure est fixé au pied. Elle peut être utilisée pour maintenir l'extension supérieure en position si un fonctionnement à hauteur fixe est de mise. Tournez le levier du système de blocage dans le sens des aiguilles d'une montre pour faire fonctionner le système de blocage et dans le sens contraire pour le relâcher.

Freins

Le chariot est équipé d'un frein à pied (9) sur chaque roue. Vous pouvez faire fonctionner les freins en appuyant sur le levier situé au-dessus de la roue et les relâcher en appuyant sur le levier central 'pop-up' qui est levé lorsque le frein est activé.



ATTENTION ! Veillez à toujours actionner les freins lorsque le pied est sans surveillance.

Guide-câble

Les guide-câbles (14) sont réglables en hauteur et doivent être réglés en fonction. Vous pouvez les régler en relâchant les boutons (15), en mettant les guide-câbles à la hauteur souhaitée et en resserrant les boutons.

Mouvement du pied

Les roues disponibles sur la version studio du chariot peuvent être bloquées en position droit devant ou en pivotement libre. Le passage du mode bloqué en mode pivotant se fait via les broches à ressort des blocages de direction (8) situées sur chaque roue. Les broches figurant sur les jambes pliables disposent de boutons noirs tandis que la broche figurant sur la jambe fixe dispose d'un bouton rouge. Pour engager ou désengager une broche, tirez-la vers le haut

Français

contre le ressort et tournez-la à 90°. Elle ne s'engagera dans la roue que lorsque la roue sera alignée correctement. Cet alignement permettra un mouvement pivotant, de travelling et braquage.



ATTENTION ! Pour garantir une stabilité maximale, tout particulièrement lorsque vous déplacez le pied sur une surface qui n'est pas régulière, réduisez la hauteur du pied au minimum.

Mouvement pivotant

Pour ce faire, désengagez les trois blocages de direction. Vous pourrez alors déplacer librement le chariot dans toutes les directions.

Travelling

Pour ce faire, engagez les trois blocages de direction. Vous pourrez alors déplacer le chariot en ligne droite vers l'avant et vers l'arrière.

Mouvement de braquage

Pour ce faire:

Positionnez le chariot de manière à ce que la jambe fixe (avec le bouton rouge) soit dans la direction du travel. Désengagez le blocage de direction rouge.

Engagez les blocages de direction noirs.

Lorsque la jambe fixe du chariot est positionnée vers l'avant, vous pouvez déplacer le chariot dans un mouvement 'de type braquage'.

Transport et stockage



ATTENTION ! Les réglementations internationales, nationales et locales en vigueur seront éventuellement d'application pour le transport et le stockage des pieds pressurisés.

REMARQUE: Il ne s'avère pas nécessaire de réduire la pression du pied avant le transport ou le stockage. Pour empêcher l'amoncellement de poussières ou de particules abrasives sur les composants mobiles, réglez la colonne à une hauteur minimale.

Vous pouvez séparer la colonne et le chariot pour faciliter le transport et le stockage du pied.

Pour ce faire, procédez comme suit:

Baissez l'extension supérieure (4) et engagez le clapet de sécurité (3).

Baissez le tube d'élévation (5) autant que possible.

Serrez le système de blocage de la partie inférieure (18).

Retirez la charge.

Relâchez le système de blocage du chariot (11) et les sangles de fixation en caoutchouc (7). Dégagez les entretoises des supports pour pieds.

Utilisez le volant de direction pour soulever la colonne télescopique à la verticale jusqu'à ce qu'elle soit dégagée du chariot ; fixez ensuite les entretoises à l'aide de la sangle de blocage.



ATTENTION ! La colonne sera instable si elle repose sur sa base ou sur les entretoises pliées.

Dépressurisez les pistons de verrouillage de jambe situés en dessous du chariot et pliez les jambes.

Entretien

Généralités

Le pied Vision Ped Plus a été conçu solidement conformément à des normes techniques élevées; son aptitude à l'usage requiert peu d'attention hormis un nettoyage régulier. Il convient de prêter attention aux points suivants pour garantir une longue durée de vie de l'appareil avec un minimum de réparations.

Nettoyage

Pendant une utilisation normale en studio, le seul nettoyage requis consistera à essuyer régulièrement l'appareil avec un chiffon non pelucheux. Vous pourrez retirer la saleté accumulée pendant le stockage ou les périodes d'inactivité avec une brosse semi-dure. Il convient d'accorder une attention toute particulière aux bandes de rail sur l'extension supérieure de la colonne.

REMARQUE: N'utilisez PAS d'huile ou de graisse sur une pièce exposée de la colonne. C'est inutile et ça emprisonne la poussière qui agit tel un abrasif.

Toute utilisation à l'extérieur requiert une attention particulière, et ce tout particulièrement dans des conditions défavorables. Dès que possible, nettoyez toute pulvérisation d'eau de mer à l'eau fraîche. Ne laissez pas d'eau pénétrer dans la colonne. La poussière et le sable agissent comme des abrasifs ; retirez-les avec une brosse semi-dure ou un aspirateur.

REMARQUE: Utilisez uniquement des nettoyeurs à base de détergent. N'utilisez PAS de nettoyeurs à base de solvant ou d'huile, d'abrasifs ni de brosses métalliques pour retirer la poussière accumulée, dans la mesure où ils pourraient endommager les surfaces protectrices.

Vérifications régulières

Contrôlez les éléments suivants pendant l'usage normal:

Vérifiez l'usure et la craquelure des sangles de fixation des entretoises en caoutchouc et remplacez-les s'il y a lieu.

Vérifiez l'efficacité des systèmes de blocage.

Vérifiez le travelling du chariot.

Vérifiez le jeu latéral ou radial de l'extension supérieure.

Ajustements

Après une utilisation considérable, les ajustements suivants pourront s'avérer nécessaires:

Prise en charge de l'usure du système de blocage de la partie inférieure.

Prise en charge de l'usure du système de blocage de la partie supérieure et du chariot.

Alignement des roues du chariot.

Suppression du jeu latéral ou radial de l'extension supérieure.

Ajustement du système de blocage de la partie inférieure came inférieure

(Fig 5)

Lorsque vous vissez au doigt le bouton de blocage de la partie inférieure (18), l'encoche 'V' doit se trouver dans les limites illustrées. Pour régler le bouton de blocage de la partie inférieure, procédez comme suit :

Retirez le bouchon (5.1). Otez la vis (18.2) et la rondelle (18.1) fixant le bouton (18) à l'axe (18.4).

Retirez le bouton et tournez l'axe (18.4) dans le sens des aiguilles d'une montre jusqu'à ce qu'il soit vissé au doigt.

Remplacez le bouton (18) sur l'axe (18.4) de manière à ce que l'encoche 'V' présente sur le bouton de blocage de la partie inférieure se situe dans les limites illustrées ici.

Dégraissage la vis (18.2), couvrez de Loctite 222E et fixez le bouton à l'aide de la rondelle (18.1) et de la vis (18.2). Remplacez le bouchon (18.3).

Ajustement de la came du chariot et du système de blocage de la partie supérieure

(Fig 1)

Vous pouvez actionner ou relâcher le système de blocage du chariot (11) et le système de blocage de la partie supérieure en tournant la poignée dans le sens des aiguilles d'une montre ou dans le sens contraire. Les deux poignées disposent d'un réglage de cliquet à pousser/tirer.

Pour ajuster le système de blocage du chariot et le système de blocage de la partie supérieure, tirez la poignée hors de l'axe, tournez-la dans le sens contraire des aiguilles d'une montre et relâchez-la.

Répétez la procédure ci-dessus, s'il y a lieu, jusqu'à ce que le système de blocage se verrouille lorsqu'il est actionné mais laissez-le en libre mouvement lorsqu'il est relâché.

Travelling du chariot

(Fig 6)

Il peut s'avérer nécessaire d'ajuster le travelling du chariot après une utilisation régulière. Pour contrôler le travelling, procédez comme suit:

Lorsque les blocages de direction sont engagés et qu'une charge est fixée, le chariot devrait se déplacer en ligne droite sur une distance de 3,6 m en s'écartant au maximum de 5 cm. Si ce n'est pas le cas, il convient d'en réaligner les roues. Pour ce faire, commencez par ajuster la roue à l'aide du bouton de verrouillage rouge situé sur la jambe fixe. Ceci permettra souvent de corriger les problèmes d'alignement.

Pour réaligner les roues du chariot, procédez comme suit:

Retirez la colonne du chariot.

Engagez le blocage de direction (8) sur chaque roue pivotante.

Otez deux vis (7.1) du support pour pieds (7) sur la jambe fixe et retirez le support en question.

Utilisez une clé appropriée pour retirer l'écrou (8.1) (disponible auprès de Vinten Code article n°3319-900SP).

Appliquez du Loctite 242 sur l'écrou, réinstallez-le et serrez légèrement.

Alignez la roue sur la jambe fixe de manière à ce qu'elle soit parallèle à la jambe.

A l'aide d'une ligne droite appropriée tracée à même le sol du studio, vérifiez que, sur une distance de 3,6 m, l'écart ne dépasse pas 5 cm. Réajustez la roue jusqu'à ce que vous obteniez cet écart maximal. Dans le cas contraire, il conviendra de réaligner les roues situées sur les deux autres jambes.

Une fois les roues alignées correctement, serrez les écrous (8.1).

Installez le support pour pieds (7) sur chaque jambe et fixez-le avec deux vis (7.1).

Elimination du jeu latéral et radial du tube d'élévation ou de l'extension supérieure

Si un jeu latéral ou radial excessif est apparent sur le tube d'élévation ou l'extension supérieure, consultez la rubrique appropriée du guide d'entretien. Seule une personne compétente pourra mener à bien ce réglage.

Liste des pièces

La liste suivante englobe les assemblages principaux, les pièces de remplacement et les accessoires en option. Si vous souhaitez de plus amples informations pour ce qui est de la réparation ou des pièces de remplacement, veuillez prendre contact avec Vinten ou avec votre distributeur local.

Si vous souhaitez obtenir des informations en ligne, surfez sur notre site Internet à l'adresse

www.vinten.com

Assemblages principaux

Pied Vision Ped Plus (version studio)	V3951-0001
Colonne	V3951-1000
Chariot studio	V3955-0001
Niveau à bulle 100 mm	3330-16

Accessoires en option

Pompe Vinten portable	3357-21
---------------------------------	---------

Prefazione

Congratulazioni per aver acquistato il nuovo cavalletto Vision Ped *Plus* di Vinten

Per sfruttare al massimo le potenzialità del nuovo cavalletto Vision Ped Plus, vi consigliamo di leggere questo manuale dell'operatore per acquisire familiarità con le sue numerose caratteristiche, alcune delle quali potrebbero risultare nuove ai vostri occhi. In esso sono trattate anche informazioni fondamentali relative a salute e sicurezza ed è presente una sezione dedicata alla manutenzione che vi consentirà di conservare il vostro nuovo acquisto in perfette condizioni.

Per usufruire di ulteriori vantaggi, registratevi subito con Vinten, in linea, visitando la pagina www.vinten.com/register oppure compilando il modulo allegato.

Funzioni e vantaggi del nuovo cavalletto Vision Ped *Plus*

Il cavalletto Vision Ped Plus è stato appositamente concepito per soddisfare le più elevate esigenze degli operatori di cinepresa che lavorano con telecamere da studio di peso ridotto. Il cavalletto Vision Ped Plus offre un elevato livello di controllo e numerose funzionalità esclusive.

- **È adatto a una vasta gamma di telecamere da studio professionali di peso ridotto, fino a 30 kg**
- **Il nuovo sistema ad asta inclinata consente l'equilibrio perfetto lungo tutta la corsa del morsetto di 41cm**
- **Il manometro fornisce una chiara indicazione sulla pressione del sistema quando si carica il cavalletto da una sorgente esterna o mediante la pompa integrata**
- **Il piano inferiore a sollevamento assistito elimina lo sforzo della regolazione dell'altezza e offre un'ampia gamma di impostazioni di altezza fino a un massimo di 159,5 cm**
- **I singoli blocchi di puntamento delle ruote consentono il puntamento delle rotelle, del volante e in linea retta**
- **Il sistema di frenatura delle ruote migliorato assicura una corsa fluida continua**

**Ancora una volta ci congratuliamo con voi per aver scelto
il cavalletto Vision Ped *Plus***

**Siamo certi che soddisferà le vostre esigenze offrendovi
molti anni di servizio**

Sicurezza - da leggere per primo

Simboli di avvertimento usati in questo manuale dell'operatore



In caso di rischio di lesioni personali per l'operatore o per altri individui, o di danni al cavalletto o all'attrezzatura, sono segnalate delle note, messe in risalto dalla parola AVVERTENZA! e accompagnate da un triangolo di pericolo.

Simboli di avvertimento sul cavalletto



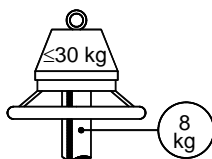
I simboli triangolo di pericolo o libro aperto indicano l'assoluta necessità di consultare questo manuale prima di utilizzare questo cavalletto o di tentare di effettuare modifiche o riparazioni.

Dati critici

Peso

Colonna 8 kg

Carrello 5,5 kg



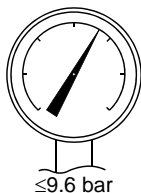
Carico

Carico massimo 30 kg



Pressione

Pressione massima 9,6 bar (139 psi)



Dati tecnici

Carico utile	30 kg
Peso colonna	8 kg
Peso carrello	5,5 kg
Peso totale cavalletto	13,5 kg
Altezza minima rispetto alla superficie di montaggio dell'adattatore bolla a 100 mm . .	75,1 cm
Altezza massima rispetto alla superficie di montaggio dell'adattatore bolla da 1 a 100 mm	159,5 cm
Altezza minima rispetto alla superficie di montaggio piatta	63,7 cm
Altezza massima rispetto alla superficie di montaggio piatta	148,1 cm
Corsa utile	41,0 cm
Diametro rotelle	10,0 cm
Raggio delle gambe del carrello	55,85 cm
Larghezza di ingombro totale	95,6 cm
Larghezza di ingombro in trasporto	73,3 cm
Diametro ruota dello sterzo	35,0 cm
Pressione operativa massima	9,6 bar (139 psi)
Pressione valvola di scarico	10,7 bar (155 psi)

Utilizzo

Il cavalletto Vision Ped Plus è concepito per l'utilizzo in studi televisivi e in esterni per sostenere e mantenere in equilibrio una testa orientabile e inclinabile, una telecamera e l'attrezzatura accessoria per un peso totale massimo di 30 kg (66 lb).

Il cavalletto Vision Ped Plus è destinato all'utilizzo da parte di operatori di telecamere.



ATTENZIONE! Non tentate di utilizzare il cavalletto se non avete compreso il suo funzionamento. Le operazioni di manutenzione non contemplate in questo Manuale dell'operatore devono essere eseguite esclusivamente da personale competente secondo le procedure descritte nel Manuale di manutenzione.

Sommario

	Pagina
Prefazione	71
Sicurezza - da leggere per primo	72
Dati critici	72
Dati tecnici	73
Introduzione e descrizione	76
Funzionamento	
Montaggio del cavalletto	77
Pressurizzazione del cavalletto	77
Utilizzo del cavalletto	81
Manutenzione	
Generale	84
Pulizia	84
Controlli regolari	84
Regolazioni	84
Elenco dei componenti	87
Figure	139

Cavalletto da studio Ped *Plus* di Vision (Fig 1)

- (1) Adattatore bolla di livellamento da 100 mm
- (2) Valvola di controllo
- (3) Chiusura di sicurezza
- (4) Gruppo serbatoio
- (5) Tubo di elevazione
- (6) Fascetta in velcro
- (7) Supporto piedistallo e cinghia
- (8) Perno bloccaggio puntamento
- (9) Freno
- (10) Gamba fissa
- (11) Morsetto carrello
- (12) Elemento centrale carrello
- (13) Gamba pieghevole
- (14) Protezione cavi
- (15) Pulsante di regolazione protezione cavi
- (16) Tubo esterno
- (17) Sostegno
- (18) Morsetto inferiore
- (19) Morsetto corsa utile
- (20) Ruota dello sterzo
- (21) Valvola Schrader e tappo
- (22) Manometro

Introduzione e descrizione

Il cavalletto Vision Ped Plus è un supporto pneumatico per telecamere completamente portatile, creato per sostenere un peso utile di 30 kg. Comprende una colonna centrale telescopica e un gruppo carrello con rotelle. Per facilitare il trasporto, la colonna telescopica e il carrello possono essere separati; il carrello è inoltre ripiegabile.

La colonna telescopica consiste di un tubo esterno, situato nel carrello con tre sostegni atti a fornire a quest'ultimo robustezza e stabilità, un tubo di elevazione posizionato in relazione al tubo esterno e che definisce l'altezza operativa del cavalletto e un gruppo serbatoio, che forma la parte mobile superiore del cavalletto stesso e fornisce la forza di equilibrio del carico utile e agisce come pompa per la pressurizzazione.

Il carrello comprende un elemento centrale con maniglia di trasporto, una gamba fissa e due pieghevoli. Ciascuna gamba è dotata di rotella girevole con freno e di un supporto piedistallo con cinghia per sostenere la colonna. Il carrello ha ruote da 100 mm con protezioni per i cavi e blocchi di puntamento che forniscono il movimento girevole, di puntamento o di guida del piedistallo.

Funzionamento

Montaggio del cavalletto

Carrello

(Fig 2)

Capovolgete il carrello, premete le chiavette di bloccaggio delle gambe (13.1) e piegate ogni gamba (13) verso l'esterno finché le chiavette si bloccano in posizione completamente aperta.

Appoggiate il carrello a terra sulle rotelle e inserite i freni (9).

Colonna

Installate la colonna sul carrello nel modo seguente:

Allentate completamente il morsetto del carrello (11).

Verificate che la valvola di controllo (2) sia impostata sulla posizione operativa WORK.

Rilasciate la fascetta in Velcro (6).

Mantenete la colonna telescopica in posizione eretta con la ruota dello sterzo (20) più in alto e piegate i tre sostegni (17) in posizione quasi orizzontale.

Solleivate il gruppo colonna mediante la ruota dello sterzo e abbassatelo verticalmente nell'elemento centrale del carrello, assicurandovi che il morsetto di controllo (18) sia allineato con la maniglia del carrello. Attivare i sostegni (17) sui supporti del piedistallo (7).

Assicurare ogni sostegno al supporto del piedistallo con la fascetta in gomma. Stringete il morsetto del carrello (11) esercitando la sola pressione delle mani.

Assicurate la fascetta di sostegno in velcro (6) alle rotelle del carrello.

Pressurizzazione del cavalletto

Il cavalletto Vision Ped Plus può essere pressurizzato mediante la pompa integrata, oppure utilizzando una Pompa portatile Vinten o una fonte di pressione esterna.

Assicuratevi che il carico sia fissato sul cavalletto (carico utile = testa orientabile e inclinabile, telecamera, obiettivo e l'intera attrezzatura accessoria). Consultando il grafico (fig. 3), contrassegnate il carico utile sull'asse orizzontale, quindi tracciate una linea verticale dalla cifra relativa al carico fino alla linea di equilibrio. Tracciate una linea orizzontale nel punto di intersezione arrivando fino all'asse verticale e leggete qual è la pressione necessaria.

Pressurizzazione del cavalletto mediante la pompa integrata



ATTENZIONE! Avvertenza! Non pressurizzate il cavalletto oltre la pressione operativa massima di sicurezza indicata dal settore rosso sul manometro. Il cavalletto è provvisto di una valvola di scarico che serve da protezione in caso di eccessiva pressurizzazione.
Non tentate di regolare la valvola di scarico della pressione. Rimuovete il peso utile prima di pompare.

Per pressurizzare il cavalletto usando la pompa integrata, procedete come descritto di seguito:

Impostate la valvola di controllo (2) sulla posizione PUMP (pompa).

Assicuratevi che il morsetto inferiore sia (18) innestato.

Rimuovete il carico utile, se presente.

Allentate il morsetto di corsa utile (19).

Esercitate una pressione verso il basso sulla ruota dello sterzo (20) per eliminare eventuali pressioni residue e sganciate la chiusura di sicurezza (3). Impostate la chiusura di sicurezza in posizione orizzontale.

Usando la ruota dello sterzo (20), estendete al massimo il piano superiore. Cominciate a pompare abbassando e alzando il piano superiore stando al di sopra della metà della sua corsa. Quando il manometro (22) comincia a registrare, pompate il piano superiore fino a farlo estendere completamente. Fermatevi una volta che la pressione operativa necessaria è stata raggiunta tramite il pompaggio.



ATTENZIONE! Se il cavalletto è pressurizzato si alza rapidamente quando la valvola è impostata sulla posizione operativa WORK. Non spostate direttamente la valvola di controllo dalla posizione PUMP a quella WORK.

Impostate la valvola di controllo (2) sulla posizione mediana tra PUMP e WORK e lasciate che il piano superiore si alzi completamente.

Impostate la valvola di controllo (2) sulla posizione operativa WORK.

Installate il supporto della telecamera e il carico utile ed equilibratelo come descritto di seguito.

Pressurizzazione del cavalletto mediante la Pompa portatile Vinten



ATTENZIONE! Non pressurizzate il cavalletto oltre la pressione operativa massima di sicurezza indicata dal settore rosso sul manometro. Il cavalletto è provvisto di una valvola di scarico che serve da protezione in caso di eccessiva pressurizzazione.

Non tentate di regolare la valvola di scarico della pressione.

Per pressurizzare il cavalletto usando una Pompa portatile Vinten, procedete come descritto di seguito:

Premete fino in fondo la colonna mobile (4) e innestate la chiusura di sicurezza (3).

Sulla pompa (fig. 4), distendete la base (P. 3).

Premete il pulsante a scatto del manico (P. 5) e spostatelo (P. 1) in posizione orizzontale fino a bloccarlo.

Estraete il tubo flessibile (P. 4) dal suo alloggiamento (P. 2). Collegatelo alla valvola di carica del cavalletto (21).

Posizionate la pompa tra le gambe, trattenendo la base con entrambi i piedi (P. 3).

Afferrate il manico (P. 1) con entrambe le mani e pressurizzate il cavalletto alla pressione richiesta con colpi molto energici. Non superate la pressione operativa massima indicata dal settore rosso sul manometro (22).

Scollegate il tubo (P. 4) dalla valvola di carica del cavalletto, ma a questo punto non riapplicate il tappo della valvola Schrader. Sistemate il tubo nel suo alloggiamento (P. 2).

Premete completamente lo stantuffo della pompa, spingete il pulsante a scatto del manico (P. 5) e spostatelo (P. 1) in posizione orizzontale fino a far bloccare lo stantuffo in posizione chiusa.

Ripiegate la base (P. 3).

Pressurizzazione mediante fonte di pressione esterna



ATTENZIONE! Questo cavalletto deve essere pressurizzato solamente utilizzando aria pulita e asciutta o azoto. La valvola di scarico deve essere montata sulla linea di pressione tra la bombola del gas e il collegamento esterno del tubo flessibile. La valvola deve essere avvitata all'uscita della bombola del gas. La pressione massima sul lato dell'uscita della valvola di scarico non deve essere superiore a 9,6 bar (139 psi). Non pressurizzate il cavalletto oltre la pressione operativa massima di sicurezza indicata dal settore rosso sul manometro. Il cavalletto è provvisto di una valvola di scarico che serve da protezione in caso di eccessiva pressurizzazione. Non tentate di regolare la valvola di scarico della pressione.

Per pressurizzare il cavalletto mediante una fonte esterna di pressione, procedete come descritto di seguito:

Premete fino in fondo la colonna mobile (4) e innestate la chiusura di sicurezza (3).

Rimuovete il tappo della valvola Schrader (21) e collegate la linea di carica della fonte di pressione.

Aprite l'alimentazione e aumentate lentamente la pressione del cavalletto fino a raggiungere quella richiesta. Non superate la pressione operativa massima indicata dal settore rosso sul manometro (22).

Scollegate la linea di carica, ma a questo punto non riapplicate il tappo della valvola Schrader.

Montaggio ed equilibratura del carico

Dopo aver pressurizzato il cavalletto, è possibile montare ed equilibrare il supporto per telecamera e il carico utile.



ATTENZIONE! Montate il supporto per telecamera e il carico utile con la colonna mobile abbassata e la chiusura di sicurezza (3) innestata.

Il cavalletto Vision Ped Plus viene fornito con un montaggio a bolla da 100 mm che può essere rimosso per consentire l'utilizzo della piastra di montaggio a quattro bulloni standard.

Una volta che la piastra di montaggio è stata fissata, procedete come descritto di seguito:

Montate il carico utile sul piano superiore completamente abbassato del piedistallo, assicurandovi che tutti gli elementi, per esempio le leve di comando, i gobbetti elettronici, le lenti ecc. siano fissati. Un montaggio successivo di questi elementi può pregiudicare l'equilibrio del cavalletto.

Esercitate una pressione verso il basso sulla ruota dello sterzo (20) per eliminare eventuali pressioni residue e sganciate la chiusura di sicurezza (3). Impostate la chiusura di sicurezza in posizione orizzontale. Fate estendere completamente la colonna.

Usando il tappo della valvola Schrader (21) riducete la pressione con cautela a intervalli di 0,15 - 0,20 bar (2-3 psi) finché il carico utile risulta correttamente equilibrato. Se il cavalletto è correttamente pressurizzato equilibra il carico utile in modo tale da consentirne lo spostamento in qualsiasi posizione su tutta la lunghezza della corsa utile con il minimo sforzo e mantiene la posizione una volta rilasciata la ruota dello sterzo.



ATTENZIONE! Il tappo della valvola Schrader (21) forma una guarnizione di pressione primaria. Riposizionatelo sempre avvitalo a mano.

Utilizzo del cavalletto

Regolazione dell'altezza

Piano inferiore

Il tubo di elevazione (5) forma il piano inferiore della regolazione dell'altezza del piedistallo e ha un intervallo di 434 mm ed è assistito a pressione per aiutare il sollevamento mentre il piedistallo viene caricato. Per regolare l'impostazione dell'altezza:

Abbassare il piano superiore (4) e attivare la chiusura di sicurezza (3).

Sostenete il peso del carico tenendo la ruota dello sterzo, quindi allentate il morsetto inferiore (18) ruotando la manopola rossa in senso antiorario finché il piano inferiore non è libero di muoversi.

Utilizzate la ruota del volante per impostare la colonna all'altezza richiesta e stringete nuovamente il morsetto inferiore (18).

Piano superiore

Il piano superiore della colonna dispone di una corsa utile di 410 mm e il carico può essere spostato sull'intera lunghezza, in perfetto equilibrio, alzando e abbassando la ruota dello sterzo.

Sul piedistallo è innestato un morsetto (19) per il piano superiore. Questo può essere utilizzato per mantenere il piano superiore in posizione se è richiesto il funzionamento ad altezza fissa. Ruotare la leva del morsetto in senso orario per applicare il morsetto e in senso antiorario per rilasciarlo.

Freni

Ciascuna ruota del carrello è dotata di freno azionato a pedale (9). Il freno può essere inserito premendo verso il basso la leva posizionata al di sopra della ruota e rilasciato premendo la leva automatica centrale che si alza quando il freno è inserito.



ATTENZIONE! Azionare sempre i freni quando il cavalletto viene lasciato incustodito.

Protezioni per cavi

Le protezioni per i cavi (14) sono regolabili in altezza e devono essere impostati secondo necessità. Per provvedere alla regolazione, allentate le manopole (15), impostate le protezioni all'altezza necessaria e restringete le manopole.

Spostamento del cavalletto

Le ruote sulla versione da studio del carrello possono essere bloccate in posizione dritta o lasciate ruotare liberamente. La commutazione girevole/blocco viene effettuata da perni di blocco a molla (8) su ciascun gruppo delle ruote. I perni sulle gambe pieghevoli hanno manopole nere, mentre quelli sulle gambe fisse hanno manopole rosse. Per attivare o disattivare un perno, estrarlo in opposizione alla molla e ruotarlo di 90°. Il perno si attiva con la ruota solo quando

quest'ultima è correttamente allineata. In questo modo è possibile fornire il movimento girevole, di puntamento e di guida.



ATTENZIONE! Per assicurare la massima stabilità, in particolare quando vi spostate su terreno irregolare, riducete l'altezza del cavalletto al minimo.

Movimento girevole

Per il movimento girevole, disattivate tutti i e tre i blocchi di puntamento. Il carrello è ora libero di muoversi liberamente in tutte le direzioni.

Movimento di puntamento

Per il movimento di puntamento, attivate tutti i e tre i blocchi relativi. Il carrello può ora muoversi all'indietro e in avanti seguendo una linea retta.

Movimento di guida

Per il movimento di guida:

Posizionare il carrello in modo che la gamba fissa (con la manopola rossa) si trovi nella direzione di corsa. Disattivare il blocco di puntamento rosso.

Attivare i blocchi di puntamento neri.

Con la gamba fissa rivolta in avanti il carrello può ora essere spostato con un movimento di 'tipo guida'.

Trasporto e deposito



ATTENZIONE! Le norme locali, nazionali e internazionali possono essere applicate al trasporto e al deposito di cavalletti pressurizzati.

NOTA BENE: Non è necessario ridurre la pressione del cavalletto prima del trasporto o del deposito. Per evitare l'eventuale accumulo di polvere o di particelle abrasive sui componenti mobili, impostate la colonna sull'altezza minima.

La colonna e il carrello possono essere separati per facilitare il trasporto o l'immagazzinamento.

Per separare la colonna e il carrello:

Abbassate il piano superiore (4) e attivare la chiusura di sicurezza (3).

Abbassate il più possibile il tubo di elevazione (5).

Stringete il morsetto inferiore (18).

Rimuovete il carico.

Rilasciate il morsetto del carrello (11) e le fascette di protezione in gomma (7). Sollevate i sostegni dei supporti del piedistallo.

Utilizzate la ruota del volante per sollevare verticalmente la colonna telescopica finché non sia libera dal gruppo del carrello, quindi assicurare i sostegni con l'apposita fascetta.



ATTENZIONE! La colonna è instabile se appoggiata sulla sua base o sui sostegni pieghevoli.

Premete ciascuna chiavetta di bloccaggio sul retro del carrello e piegate le gambe.

Manutenzione

Generale

Il cavalletto Vision Ped Plus è concepito nel rispetto degli standard tecnici più elevati e la sua manutenzione richiede solamente una pulizia regolare. La cura dei punti seguenti garantirà una lunga durata ed efficienza con il minimo bisogno di interventi di riparazione.

Pulizia

Durante un normale utilizzo in studio, il cavalletto richiede esclusivamente una pulizia mediante panno antistatico. Lo sporco accumulato durante il deposito o i periodi di disuso può essere rimosso con una spazzola semi rigida. Occorre prestare particolare attenzione alle superfici del piano superiore della colonna.

NOTA BENE: Non lubrificare IN NESSUN CASO le parti esposte della colonna con olio o grasso. Quest'operazione è inutile e in seguito ad essa lo sporco viene intrappolato e può avere un effetto abrasivo.

L'utilizzo in esterni richiede un'attenzione particolare, specialmente se avviene in condizioni avverse. La salsedine deve essere eliminata con acqua pulita appena se ne ha la possibilità. Non lasciate che all'interno della colonna si insidi dell'acqua. La sabbia e lo sporco hanno un effetto abrasivo e devono essere rimossi con una spazzola semi rigida o con l'aspirapolvere.

NOTA BENE: Controlli di routineNota: Usate solo pulitori a base di detergente. NON usate pulitori a base di solvente o di olio o spazzole abrasive o metalliche per rimuovere gli accumuli di sporco, dato che danneggiano le superfici di protezione.

Controlli regolari

Durante il normale utilizzo controllate quanto segue:

Il logoramento e la rottura delle fascette in gomma di protezione; sostituitele se necessario.

L'efficienza dei morsetti.

Il puntamento del carrello

Il gioco radiale o laterale del piano superiore.

Regolazioni

Le regolazioni che possono diventare indispensabili in seguito a un utilizzo considerevole sono le seguenti:

Gioco del morsetto inferiore.

Gioco del morsetto superiore e del morsetto del carrello.

Allineamento delle ruote del carrello

Eliminazione del gioco radiale e laterale sul piano superiore.

Regolazione del morsetto inferiore

(Fig 5)

Quando applicato avvitandolo a mano, l'incavo a V sulla manopola del morsetto inferiore (18) deve rientrare nei limiti mostrati di seguito. Per regolare il morsetto inferiore:

Rimuovete il tappo del foro (18.3). Rimuovete la vite (18.2) e applicate (18.1) il tappo di sicurezza (18) sull'albero (18.4).

Rimuovete la manopola e ruotate l'albero (18.4) in senso orario avvitandolo a mano.

Riposizionate la manopola (18) sull'albero (18) in modo che l'incavo a V sulla manopola si trovi nei limiti raffigurati.

Sgrassate la vite (18.2), ricoprite di Loctite 222E e fissate la manopola con la guarnizione (18.1) e la vite (18.2). Riposizionate il tappo nel foro (18.3).

Regolazione del morsetto superiore e del morsetto del carrello

(Fig 1)

Il morsetto superiore (19) e il morsetto del carrello (11) vengono applicati e rilasciati ruotando la manopola in senso orario o in senso antiorario. Entrambe le manopole sono dotate di regolazione a dente d'arresto.

Per regolare il morsetto superiore e quello del carrello tirare la relativa manopola fuori dall'albero, ruotarla in senso orario e rilasciarla.

Ripetete la procedura sopra descritta, secondo le esigenze, finché il morsetto si blocca una volta innestato ed è libero una volta rilasciato.

Puntamento del carrello

(Fig 6)

Dopo un notevole utilizzo possono rendersi necessarie regolazioni al puntamento del carrello. Controllare il puntamento nel modo seguente:

Con i blocchi di puntamento attivati e il carico utile posizionato, il carrello dovrebbe puntare in linea retta su una distanza di 3,6 m con deviazione non superiore a 5 cm. Se ciò non può essere ottenuto, le ruote devono essere allineate. Quando si riallineano le ruote, iniziare regolando la ruota con la manopola di blocco rossa sulla gamba fissa. Ciò tende a correggere spesso qualsiasi problema di allineamento.

Per riallineare le ruote del carrello:

Rimuovete la colonna dal carrello.

Attivate il blocco di puntamento (8) su ciascuna rotella.

Rimuovete due viti (7.1) dal supporto del piedistallo (7) sulla gamba fissa e rimuovete il supporto del piedistallo.

Mediante una chiave adeguata rimuovete il dado (8.1) (a questo scopo è disponibile la chiave Vinten, componente n. 3319-900SP).

Applicate Loctite 242 al dado, reinstallate e avvitate leggermente.

Allineate la ruota sulla gamba fissa in modo che corra parallela alla gamba.

Mediante un'opportuna riga dritta segnata sul pavimento dello studio, controllate che su una distanza di 3,6 m la deviazione non superi 5 cm. Regolare nuovamente la ruota finché ciò non viene ottenuto. Se non si riesce a ottenerlo, devono essere riallineate le ruote sulle altre due gambe.

Una volta che le ruote sono state allineate correttamente, avvitare i dadi (8.1).

Installate il supporto del piedistallo (7) su ciascuna gamba e assicuratelo con due viti (7.1).

Eliminazione del gioco radiale e laterale sul tubo di elevazione o sul piano superiore.

Se è evidente un eccessivo gioco radiale o laterale sul tubo di elevazione o sul piano superiore, fate riferimento alla sezione appropriata nel manuale di manutenzione. Questa regolazione deve essere eseguita da una persona competente.

Elenco dei componenti

Il seguente elenco comprende i gruppi principali, i pezzi di ricambio che possono essere sostituiti dall'operatore e gli accessori opzionali. Per ulteriori informazioni relative alla riparazione o ai pezzi di ricambio, contattate la società Vinten Broadcast Limited o il distributore a voi più vicino.

Per ottenere delle informazioni on-line, visitate il nostro sito all'indirizzo:

www.vinten.com

Gruppi principali

Cavalletto da studio Vision Ped Plus	V3951-0001
Colonna	V3951-1000
Carrello Studio	V3955-0001
Bolla di livellamento da 100 mm.	3330-16

Accessori opzionali

Pompa portatile Vinten	3357-21
------------------------------	---------

Prefácio

Agradecemos e felicitamo-lo pela aquisição do seu novo Vision Ped *Plus* da Vinten.

Queremos que tire o melhor partido possível do seu novo Vision Ped Plus; para tal, incentivamo-lo a ler este guia do utilizador para se familiarizar com as suas diversas características, algumas das quais poderão ser novas para si. O guia também fornece informações essenciais de saúde e segurança e uma secção sobre manutenção, que lhe irá permitir manter o seu novo produto em perfeitas condições.

Para obter mais vantagens, registe-se já junto da Vinten, através da Internet visitando o sítio Web www.vinten.com/register ou preenchendo o impresso em anexo.

Características e vantagens do seu novo Vision Ped *Plus*

O Vision Ped Plus foi especificamente concebido para responder às exigências precisas de operadores de câmara que trabalham com câmaras leves de estúdio. O Vision Ped Plus oferece um elevado nível de controlo, com muitas características únicas.

- **Adequado para um vasto leque de configurações profissionais de câmaras leves de estúdio até 30 kg.**
- **O novo sistema de espigão cónico permite um equilíbrio perfeito em todo o seu curso de captura de planos de 41 cm.**
- **O manómetro proporciona uma indicação clara da pressão do sistema ao carregar o pedestal a partir de uma fonte externa ou através da bomba integral.**
- **A nova plataforma inferior de elevação assistida elimina o esforço do ajuste da altura e fornece uma ampla gama de configurações de altura até um máximo de 159,5 cm.**
- **Travões individuais das vias das rodas permitem movimentos giratórios, de condução direccionada e em linha recta.**
- **O sistema melhorado de travagem das rodas garante movimentos suaves em contínuo.**

Mais uma vez, agradecemos a sua escolha do Vision Ped
Plus.

Estamos convictos de que lhe irá proporcionar muitos anos de desempenho fiável.

Segurança – leia isto primeiro

Símbolos de advertência neste guia do utilizador



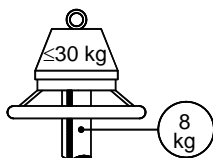
Sempre que exista um risco de ferimentos pessoais, ferimentos em terceiros ou danos no pedestal ou equipamento associado, são apresentados comentários, destacados pela palavra ADVERTÊNCIA! e reforçados pelo símbolo triangular de advertência.

Símbolos de advertência no pedestal



Quando se deparar com os símbolos triangulares de advertência e com os símbolos de livro aberto, é imperativo que consulte este guia do utilizador antes de utilizar este pedestal ou de tentar qualquer afinação ou reparação.

Informações essenciais



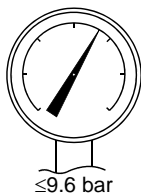
Peso

Coluna 8 kg
Patim 5,5 kg



Carga

Carga máxima 30 kg



Pressão

Pressão máxima 9,6 bar

Informações técnicas

Carga útil	30 kg
Peso da coluna	8 kg
Peso do patim	5,5 kg
Peso total do pedestal	13,5 kg
Altura mínima até à face de montagem do adaptador em cúpula de 100 mm	75,1 cm
Altura máxima até à face de montagem do adaptador em cúpula de 100 mm	159,5 cm
Altura mínima até à face plana de montagem	63,7 cm
Altura máxima até à face plana de montagem	148,1 cm
Curso de captura de planos	41,0 cm
Diâmetro das rodas	10,0 cm
Raio das pernas do patim	55,85 cm
Largura de transposição de portas	95,6 cm
Largura de transposição de portas em trânsito	73,3 cm
Diâmetro do anel de direcção	35,0 cm
Pressão máxima de funcionamento	9,6 bar
Pressão da válvula de descarga	10,7 bar

Utilização

O tripé Vision Ped Plus destina-se a ser utilizado em estúdios de televisão e em exteriores para apoio e equilíbrio de uma cabeça basculante com bandeja, da câmara e do equipamento auxiliar que pesam 30 kg (66 lb) no máximo.

O tripé Vision Ped Plus destina-se a ser utilizado pelos operadores de câmara da televisão.



ADVERTÊNCIA! Se não entender o funcionamento deste tripé, não tente utilizá-lo.

Toda a manutenção que exceder a informação contida neste Guia do Operador deve ser realizada apenas pelo pessoal competente de acordo com os procedimentos descritos neste Manual de Manutenção.

Conteúdo

	Página
Prefácio	89
Segurança – leia isto primeiro	90
Informações essenciais	90
Informações técnicas	91
Introdução e descrição	94
Funcionamento	
Montagem do pedestal	95
Pressurização do pedestal	95
Utilização do pedestal	99
Assistência	
Aspectos gerais	102
Limpeza	102
Verificações de rotina	102
Ajustes	102
Lista de peças	105
Figuras	139

Pedestal de estúdio Vision Ped *Plus* (Fig. 1)

- (1)..... Adaptador de nivelamento em cúpula de 100 mm
- (2)..... Válvula de comando
- (3)..... Fecho de segurança
- (4)..... Conjunto do reservatório
- (5)..... Tubo de elevação
- (6)..... Tira de Velcro
- (7)..... Apoio do pé e cinta
- (8)..... Cavilha de bloqueio
- (9)..... Travão
- (10)..... Perna fixa
- (11)..... Grampo de fixação do patim
- (12)..... Fundição central do patim
- (13)..... Perna articulada
- (14)..... Blindagem de cabo
- (15)..... Botão de ajuste da blindagem de cabo
- (16)..... Tubo externo
- (17)..... Escora
- (18)..... Grampo de fixação inferior
- (19)..... Grampo de fixação de captura de planos
- (20)..... Anel de direcção
- (21)..... Válvula Schrader e tampa
- (22)..... Manómetro

Introdução e descrição

O pedestal de estúdio Vision Ped Plus é um suporte pneumático de câmara totalmente portátil, concebido para suportar uma carga útil de até 30 kg. É composto por uma coluna telescópica central e por um conjunto de patim com rodas giratórias. Para facilitar o transporte, a coluna telescópica e o patim podem ser separados e o patim dobrado.

A coluna telescópica é composta por um tubo exterior, que se situa no patim e inclui três escoras para proporcionar resistência e estabilidade ao pedestal, por um tubo de elevação, que está posicionado de forma relativa ao tubo externo e determina a altura de trabalho do pedestal, e por um conjunto do reservatório, que forma a parte superior móvel do pedestal e fornece a força de equilíbrio para a carga útil e actua como bomba para pressurização.

O patim inclui uma fundição central com pega de transporte, uma perna fixa e duas pernas articuladas. Cada perna comporta uma roda giratória com travão e um apoio do pé com cinta para sustentar a coluna. O patim possui rodas de 100 mm com blindagens de cabo e travões das vias que permitem movimentos giratórios, em linha recta e de condução direccionada do pedestal.

Funcionamento

Montagem do pedestal

Patim

(Fig. 2)

Vire o patim ao contrário, pressione os êmbolos de bloqueio das pernas (13.1) e oscile cada perna articulada (13) para fora, até que os êmbolos bloqueiem as pernas na posição totalmente aberta.

Coloque o patim no solo sobre as suas rodas e engate os travões das rodas (9).

Coluna

Para instalar a coluna no patim, proceda da seguinte forma:

Desaperte completamente o grampo de fixação do patim (11).

Certifique-se de que a válvula de comando (2) está colocada na posição de utilização 'WORK'.

Desaperte a tira de Velcro de retenção (6).

Segure a coluna telescópica na vertical com o anel de direcção (20) virado para cima e oscile as três escoras (17) para cima, praticamente até à posição horizontal.

Levante o conjunto da coluna através do anel de direcção e baixe-o na vertical para o interior da fundição central do patim, certificando-se de que o botão do grampo de fixação inferior (18) está alinhado com a pega do patim. Encaixe as escoras (17) nos apoios dos pés (7).

Fixe cada escora ao apoio do pé com a cinta de borracha. Aperte o grampo de fixação do patim (11) utilizando apenas uma pressão manual moderada.

Fixe a tira de Velcro de retenção (6) afastada das rodas do patim.

Pressurização do pedestal

O pedestal Vision Ped Plus pode ser pressurizado através da bomba incorporada, através da bomba portátil da Vinten ou a partir de uma fonte externa de pressão.

Determine a carga útil a instalar no pedestal (carga útil = cabeça de deslocação horizontal e vertical, câmara, lentes e todo o equipamento auxiliar). Consultando o gráfico (Fig. 3), assinale a carga útil no eixo horizontal e em seguida, marque uma linha vertical desde o valor da carga até à linha de equilíbrio. No ponto de intersecção, marque uma linha horizontal até ao eixo vertical e leia a pressão de gás necessária.

Pressurização do pedestal através da bomba incorporada



ADVERTÊNCIA! Não pressurize o pedestal acima da pressão máxima de funcionamento em segurança indicada pela extremidade principal do sector vermelho no manómetro. O pedestal está equipado de uma válvula de descarga de pressão como mecanismo de salvaguarda contra pressurização em excesso.
Não tente ajustar a válvula de descarga de pressão. Retire a carga útil antes de utilizar a bomba.

Para pressurizar o pedestal através da bomba incorporada, proceda da seguinte forma:

Coloque a válvula de comando (2) na posição de bombagem 'PUMP'.

Certifique-se de que o grampo de fixação inferior (18) está engatado.

Retire a carga útil, se estiver instalada.

Desaperte o grampo de fixação de captura de planos (19).

Pressione o anel de direcção (20) contra qualquer pressão residual e desaperte o fecho de segurança (3). Coloque o fecho de segurança na posição horizontal.

Utilizando o anel de direcção (20), levante a plataforma superior até estar completamente aberta. Comece a bombear, baixando e elevando a plataforma superior acima da metade superior do seu curso. Quando o manómetro (22) começar a registar, bombeie a plataforma superior sobre o seu curso completo. Pare de bombear quando a pressão de funcionamento necessária for atingida durante o processo de bombagem.



ADVERTÊNCIA! Um pedestal pressurizado irá subir rapidamente se a válvula de comando for colocada na posição de utilização 'WORK'. Não desloque a válvula de comando directamente da posição de bombagem 'PUMP' para a posição de utilização 'WORK'.

Coloque a válvula de comando (2) na posição intermédia entre 'PUMP' e 'WORK' e aguarde que a plataforma superior suba totalmente.

Coloque a válvula de comando (2) na posição de utilização 'WORK'.

Instale o suporte da câmara e a carga útil e equilibre a carga conforme descrito a seguir.

Pressurização do pedestal através de uma bomba portátil da Vinten



ADVERTÊNCIA! Não pressurize o pedestal acima da pressão máxima de funcionamento em segurança indicada pela extremidade principal do sector vermelho no manómetro. O pedestal está equipado de uma válvula de descarga de pressão como mecanismo de salvaguarda contra pressurização em excesso.
Não tente ajustar a válvula de descarga de pressão.

Para pressurizar o pedestal através da bomba portátil da Vinten, proceda da seguinte forma:

Pressione totalmente a coluna móvel (4) e engate o fecho de segurança (3).

Na bomba (Fig. 4), abra ambos os pés (P.3) para baixo.

Prima o botão de desengate do manípulo (P.5) e mova o manípulo (P.1) para a posição horizontal, onde será travado.

Puxe o tubo (P.4) para fora do seu alojamento (P.2). Ligue o tubo à válvula de carga do pedestal (21).

Posicione a bomba entre as pernas, mantendo ambos os pés sobre os pés articulados (P.3).

Segure o manípulo (P.1) com ambas as mãos e utilizando cursos completos estáveis, pressurize o pedestal com a pressão necessária. Não ultrapasse a pressão máxima de funcionamento, indicada pela extremidade principal do sector vermelho no manómetro (22).

Desligue o tubo (P.4) da válvula de carga do pedestal, mas não volte a instalar a tampa da válvula Schrader nesta altura. Coloque o tubo no seu alojamento (P.2).

Pressione o êmbolo da bomba totalmente para baixo, prima o botão de desengate do manípulo (P.5) e mova o manípulo (P.1) para a posição vertical, onde travará o êmbolo da bomba na posição fechada.

Articule ambos os pés (P.3) para cima.

Pressurização a partir de uma fonte externa de pressão



ADVERTÊNCIA! Advertência! Este pedestal apenas pode ser pressurizado com ar limpo e seco ou com azoto. Uma válvula redutora de pressão tem de ser montada na tubagem de pressão entre o cilindro de gás e a ligação de saída do tubo. A válvula redutora de pressão tem de ser aparafusada na saída do cilindro de gás. A pressão máxima no lado da saída da válvula redutora não pode ultrapassar 9,6 bar. Não pressurize o pedestal acima da pressão máxima de funcionamento em segurança indicada pela extremidade principal do sector vermelho no manómetro. O pedestal está equipado de uma válvula de descarga de pressão como mecanismo de salvaguarda contra pressurização em excesso. Não tente ajustar a válvula de descarga de pressão.

Para pressurizar o pedestal a partir de uma fonte externa de pressão, proceda da seguinte forma:

Pressione totalmente a coluna móvel (4) e engate o fecho de segurança (3).

Retire a tampa da válvula Schrader (21) e ligue a tubagem de carregamento da fonte de pressão.

Ligue a alimentação de pressão e aumente lentamente a pressão do pedestal até à pressão necessária. Não ultrapasse a pressão máxima de funcionamento, indicada pela extremidade principal do sector vermelho no manómetro (22).

Desligue a tubagem de carregamento, mas não volte a instalar a tampa da válvula Schrader nesta altura.

Instalação e equilíbrio da carga

Após a pressurização do pedestal, o suporte da câmara e a carga útil podem ser instalados e equilibrados.



ADVERTÊNCIA! Instale o suporte da câmara e a carga útil com a coluna móvel baixada e o fecho de segurança (3) engatado.

O pedestal Vision Ped Plus é fornecido com um suporte em cúpula de 100 mm, que pode ser retirado para permitir a utilização da chapa plana de montagem normalizada com quatro parafusos.

Quando o suporte da câmara tiver sido fixo, proceda da seguinte forma:

Instale a carga útil sobre a plataforma superior totalmente baixada do pedestal e certifique-se de que todos os elementos, como barras de deslocamento horizontal, telepontos, lentes, etc., estão instalados. Ligar estes elementos posteriormente poderá afectar o equilíbrio do pedestal.

Pressione o anel de direcção (20) contra qualquer pressão residual e desaperte o fecho de segurança (3). Coloque o fecho de segurança na posição horizontal. Deixe a coluna abrir-se totalmente.

Usando a tampa da válvula Schrader (21), reduza cuidadosamente a pressão em passos de 0,15 a 0,20 bar, até que a carga útil esteja correctamente equilibrada. Um pedestal correctamente pressurizado equilibrará a respectiva carga útil de forma a que possa ser deslocada para qualquer posição sobre o curso total de captura de planos com o mínimo de esforço e mantenha a sua posição quando o anel de direcção é solto.



ADVERTÊNCIA! A tampa da válvula Schrader (21) forma um vedante primário de estanquidade. Volte sempre a instalar a tampa e aperte-a com os dedos.

Utilização do pedestal

Regulação da altura

Plataforma inferior

O tubo de elevação (5) forma a plataforma inferior da regulação de altura do pedestal e tem uma amplitude de 434 mm, sendo de pressão assistida para apoiar a elevação quando o pedestal está carregado. Para ajustar a regulação de altura:

Baixe a plataforma superior (4) e engate o fecho de segurança (3).

Sustente o peso da carga segurando o anel de direcção e em seguida desaperte o grampo de fixação inferior (18), ao rodar o botão vermelho no sentido anti-horário até que a plataforma inferior se desloque livremente.

Utilize o anel de direcção para colocar a coluna à altura pretendida e volte a apertar o grampo de fixação inferior (18).

Plataforma superior

A plataforma superior da coluna tem um curso de captura de planos de 410 mm e a carga pode ser deslocada sobre esta distância, em equilíbrio, ao subir ou descer o anel de direcção.

Um grampo de fixação (19) para a plataforma superior está instalado no pedestal. Este pode ser usado para manter a plataforma superior em posição, caso seja necessário utilizá-la a uma altura fixa. Rode a alavanca do grampo de fixação no sentido horário para apertar o grampo de fixação e no sentido anti-horário para desapertá-lo.

Travões

Cada uma das rodas do patim está munida de um travão de pé (9). O travão é engatado premindo a alavanca situada sobre a roda e desengatado premindo a alavanca central de desbloqueio, que sobe quando o travão está engatado.



ADVERTÊNCIA! Engate sempre os travões quando o pedestal for deixado sem vigilância.

Blindagens de cabo

As blindagens de cabo (14) são ajustáveis em altura e devem ser reguladas conforme necessário. A regulação é efectuada desapertando os botões (15), ajustando as blindagens de cabo e voltando a apertar os botões.

Deslocação do pedestal

As rodas na versão de estúdio do patim podem ser travadas na posição de deslocamento em linha recta ou reguladas para girarem livremente. A mudança da posição de deslocamento em linha recta para a posição de rotação livre é realizada através de cavilhas de bloqueio (8) com molas em cada conjunto de rodas. As cavilhas nas pernas articuladas possuem botões pretos e a cavilha na perna fixa possui um botão vermelho. Para engatar ou desengatar uma cavilha, puxe-a para cima contra a mola e rode-a 90°. A cavilha apenas será engatada com a roda

Português

quando a roda estiver devidamente alinhada. Esta disposição permite movimentos giratórios, em linha recta e de condução direccionada.



ADVERTÊNCIA! Para garantir a máxima estabilidade, particularmente ao deslocar-se em terrenos desnivelados, reduza a altura do pedestal para o mínimo.

Movimentos giratórios

Para movimentos giratórios, desengate as três cavilhas de bloqueio. O patim pode agora ser deslocado livremente em qualquer direcção.

Movimentos em linha recta

Para movimentos em linha recta, engate as três cavilhas de bloqueio. O patim pode ser deslocado para trás e para a frente em linha recta.

Movimentos de condução direccionada

Para movimentos de condução direccionada:

Posicione o patim de modo a que a perna fixa (com o botão vermelho) esteja na direcção de deslocamento. Desengate a cavilha de bloqueio vermelha.

Engate as cavilhas de bloqueio pretas.

Com a perna fixa do patim virada para a frente, o patim pode agora ser deslocado com um movimento "tipo condução".

Transporte e armazenagem



ADVERTÊNCIA! Regulamentações locais, nacionais ou internacionais podem ser aplicáveis ao transporte e à armazenagem de pedestais pressurizados.

NOTA: Não é necessário reduzir a pressão do pedestal antes do seu transporte ou armazenagem. De modo a evitar a possibilidade de acumulação de pó ou partículas abrasivas sobre os componentes móveis, regule a coluna para a altura mínima.

A coluna e o patim podem ser separados para facilitar o transporte ou a armazenagem.

Para separar a coluna e o patim:

Baixe a plataforma superior (4) e engate o fecho de segurança (3).

Baixe o tubo de elevação (5) o máximo possível.

Aperte o grampo de fixação inferior (18).

Retire a carga.

Desaperte o grampo de fixação do patim (11) e as cintas de fixação em borracha (7). Levante as escoras para longe dos apoios dos pés.

Utilize o anel de direcção para levantar a coluna telescópica na vertical até estar fora do conjunto do patim e em seguida fixe as escoras com a cinta de retenção.



ADVERTÊNCIA! A coluna ficará instável se for pousada sobre a sua base ou sobre as escoras dobradas.

Pressione cada êmbolo de bloqueio das pernas na parte inferior do patim e dobre as pernas.

Assistência

Aspectos gerais

O pedestal Vision Ped Plus é robustamente produzido segundo elevados padrões de engenharia, sendo necessários apenas pequenos cuidados para manter as condições de utilização, para além de uma limpeza regular. Preste atenção aos seguintes pontos para garantir uma vida de serviço longa e útil, com um mínimo de necessidade de reparação.

Limpeza

Durante a utilização normal em estúdio, a única limpeza necessária é uma passagem regular com um pano que não largue pêlo. A sujidade acumulada durante a armazenagem ou períodos de não utilização pode ser retirada com uma escova. Deve ser prestada particular atenção às áreas planas na plataforma superior da coluna.

NOTA: NÃO utilize óleos nem gorduras sobre qualquer parte exposta da coluna. Isto é desnecessário e aprisiona sujidade, que actua como um agente abrasivo.

A utilização no exterior exige cuidados especiais, especialmente em condições adversas. As aspersões de sal têm de ser lavadas com água fresca assim que possível. Não deixe que água entre na coluna. Areia e terra actuam como agentes abrasivos e devem ser retirados com uma escova de cerdas semi-rígidas ou um aspirador.

NOTA: Utilize apenas produtos de limpeza baseados em agentes detergentes. NÃO utilize produtos de limpeza baseados em solventes ou óleos, abrasivos ou escovas de arame para retirar acumulações de sujidade, dado que poderão danificar as superfícies protectoras.

Verificações de rotina

Verifique os seguintes pontos durante a utilização normal:

Procure sinais de envelhecimento e de fissuração das cintas de retenção em borracha e renove-as, caso necessário.

Verifique as vias do patim. Verifique a eficácia dos grampos.

Procure folgas radiais ou laterais na plataforma superior.

Ajustes

Os ajustes que podem ser necessários após uma utilização considerável são os seguintes:

Rectificação do desgaste no grampo de fixação inferior.

Rectificação do desgaste no grampo de fixação superior e no grampo de fixação do patim.

Alinhamento das rodas do patim.

Eliminação de folgas radiais e laterais da plataforma superior.

Ajuste do grampo de fixação inferior

(Fig. 5)

Quando engatado à mão, o entalhe em V no botão do grampo de fixação inferior (18) deve estar dentro dos limites apresentados. Para ajustar o grampo de fixação inferior:

Retire o tampão do orifício (18.3). Retire o parafuso (18.2) e a anilha (18.1) que fixam o botão (18) ao fuso (18.4).

Retire o botão e rode o fuso (18.4) no sentido horário até estar apertado com a pressão dos dedos.

Volte a colocar o botão (18) no fuso (18.4) de modo a que o entalhe em V no grampo de fixação inferior esteja dentro dos limites apresentados.

Elimine qualquer gordura do parafuso (18.2), revista-o com Loctite 222E e fixe o botão com a anilha (18.1) e o parafuso (18.2). Volte a colocar o tampão do orifício (18.3).

Ajuste do grampo de fixação superior e do grampo de fixação do patim

(Fig. 1)

O grampo de fixação superior (19) e o grampo de fixação do patim (11) são engatados e desengatados rodando o manípulo no sentido horário ou anti-horário, respectivamente. Ambos os manípulos possuem um ajuste de roquete do tipo "empurrar/puxar".

Para ajustar os grampos de fixação superior e do patim, puxe o manípulo do grampo para longe do fuso, rode-o no sentido horário e solte-o.

Repita o procedimento anterior as vezes que forem necessárias até que o grampo trave quando engatado, mas permita movimentos livres quando desengatado.

Vias do patim

(Fig. 6)

Ajustes às vias do patim podem tornar-se necessários após uma utilização considerável. Verifique as vias da seguinte forma:

Com as cavilhas de bloqueio engatadas e uma carga útil instalada, o patim deve seguir em linha recta ao longo de uma distância de 3,6 m, com um desvio não superior a 5 cm. Se isto não for obtido, as rodas devem ser novamente alinhadas. Quando voltar a alinhar as rodas, comece pelo ajuste da roda com o botão de bloqueio vermelho na perna fixa. Isto corrigirá frequentemente quaisquer problemas de alinhamento.

Para voltar a alinhar as rodas do patim:

Retire a coluna do patim.

Engate a cavilha de bloqueio (8) em cada roda.

Retire dois parafusos (7.1) do apoio do pé (7) na perna fixa e retire o apoio do pé.

Usando uma chave fixa adequada, retire a porca (8.1) (uma chave fixa está disponível junto da Vinten, com o número de peça 3319-900SP).

Aplique Loctite 242 na porca, volte a instalá-la e aperte-a ligeiramente.

Alinhe a roda na perna fixa de forma a que fique paralela à perna.

Utilizando uma linha recta adequada no chão do estúdio, certifique-se de que ao longo de uma distância de 3,6 m, o desvio não ultrapassa 5 cm. Volte a ajustar a roda até que isto seja comprovado. Caso tal não aconteça, as rodas nas outras duas pernas devem voltar a ser alinhadas.

Assim que as rodas tiverem sido correctamente alinhadas, aperte as porcas (8.1).

Instale o apoio do pé (7) em cada perna e aperte-o com dois parafusos (7.1).

Eliminação de folgas radiais e laterais no tubo de elevação ou na plataforma superior

Se detecte folgas radiais ou laterais excessivas no tubo de elevação ou na plataforma superior, consulte a secção adequada do manual de manutenção. Este ajuste deve ser realizado por uma pessoa devidamente habilitada.

Lista de peças

A seguinte lista inclui os conjuntos principais, as peças passíveis de substituição pelo utilizador e acessórios opcionais. Para mais informações sobre reparação ou peças de substituição, contacte a Vinten Broadcast Limited ou o seu distribuidor local.

Para informações na Internet, visite o nosso sítio Web em:

www.vinten.com

Conjuntos principais

Pedestal de estúdio Vision Ped Plus	V3951-0001
Coluna	V3951-1000
Patim de estúdio	V3955-0001
Cúpula de nivelamento de 100 mm	3330-16

Acessórios opcionais

Bomba portátil da Vinten	3357-21
--------------------------------	---------

前書き

ヴィンテンの新製品ヴィジョン Ped Plus をお買い上げいただき、ありがとうございます。

新しいヴィジョン Ped Plus の機能を十分にご利用いただくために、この取り扱い説明書をよくお読みになり、この製品の新しい機能等について、十分ご理解頂きますようお願いいたします。またこの説明書には、安全についての情報と、この新しい製品をいつまでも完璧な状態でお使いいただくためのメンテナンスに関する説明が記載されています。

さらに情報が必要な場合は、www.vinten.com/register にオンラインで接続するか、同封のフォームに記入してヴィンテンにご登録ください。

新しいヴィジョン Ped Plus の機能と利点

ヴィジョン Ped Plus は、軽量のスタジオカメラを使用するカメラマンの厳しい要求を満たすように設計されています。Vision Ped Plus は、多くの独自機能で高度なコントロールを実現しています。

- 重量 30 kg までの幅広い範囲のプロ用軽量スタジオカメラ構成に適しています。
- 新しいテーパードラムシステムによって、オンショットフルストローク 41cm に対して完璧なバランスを保つことができます。
- 圧力ゲージが装備されているため、外部の圧力源あるいは内蔵ポンプを使ってペダスタルに空気を注入する際、空気圧をはっきりと確認できます。
- 新しい下段部は、昇降アシストによって高さ調節が容易になり、最大 159.5cm (62.8 インチ) まで広範囲の高さ設定が可能です。
- ホイールトラッキングを個別にロックできるので、キャスター、ステア、および直進トラッキングが可能です。
- ホイールのブレーキ機構が改良されたので、連続的でスムーズな操作が可能です。

ヴィジョン Ped Plus を選択していただき、ありがとうございます

長年にわたって信頼のおける性能を発揮することをお約束いたします。

安全について - 最初にお読みください

この取り扱い説明書の警告記号



使用者や他人に傷害を与えたり、ペDESTALや関連機材を損傷するリスクがある場合には、警告を示す三角形の記号と「警告！」の文字で強調したコメントが記載されています。

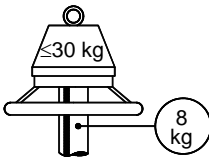
ペDESTALに付けられている警告記号



警告を示す三角形または開いた本の記号が示されている場合には、このペDESTALを使用したり調整や修理を行う前に必ずこの取扱ガイドを参照してください。

重要データ

重量



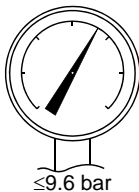
コラム 8 kg (17.6 ポンド)
スキッド 5.5 kg (12.1 ポンド)

荷重



最大荷重 30 kg (66 ポンド)

圧力



最大圧力 9.6 bar (139 psi)

技術データ

荷重	30 kg ()
コラム重量	8 kg (17.6 ポンド)
スキッド重量	5.5 kg (12.1 ポンド)
ペDESTAL総重量	13.5 kg (29.7 ポンド)
100 mmボールアダプタ取り付け面までの最低高	75.1 cm (29.6 インチ)
100 mmボールアダプタ取り付け面までの最大高	159.5 cm (62.8 インチ)
フラット取り付け面までの最低高	63.7 cm (25.1 インチ)
フラット取り付け面までの最大高	148.1 cm (58.3 インチ)
オンショットストローク	41.0 cm (16.1 インチ)
ホイール直径	10.0 cm (4 インチ)
スキッド脚半径	55.85 cm (22.0 インチ)
ドアウェイトラッキング幅	95.6 cm (37.6 インチ)
トランジットドアウェイ幅	73.3 cm (28.9 インチ)
ステアリングリングの直径	35.0 cm (13.8 インチ)
最大動作圧	9.6 bar (139 psi)
リリーフバルブ圧	10.7 bar (155 psi)

使用目的

Vision Ped Plus ライトはテレビスタジオやロケ現場でパン・チルトヘッドや撮影カメラ、その他付属機器を 30 kg (66 ポンド) まで搭載でき、バランス調整を可能にした設計のペDESTALです。

Vision Ped Plus ライトはTV カメラマン用ペDESTALです。



警告! 本品のご使用方法がおわかりにならない場合はご使用をご遠慮ください。

オペレーターガイドに掲載されているメンテナンス方法以外のさらに詳しいメンテナンスの実施については、メンテナンスマニュアルを参照し専門技師が行ってください。

目次

	ページ
前書き	107
安全について - 最初にお読みください	108
重要データ	108
技術データ	109
はじめに	112
操作	
ペDESTALの組み立て	113
ペDESTALの加圧	113
ペDESTALの使用	116
サービス	
全般的なサービス	119
清掃	119
定期的な点検	119
調整	119
部品リスト	122
図	139

ヴィジョン Ped Plus スタジオ用ペデスタル (図 1)

- | | |
|------|---------------------|
| (1) | 100 mm レベリングボールアダプタ |
| (2) | コントロールバルブ |
| (3) | セーフティキャッチ |
| (4) | タンクアセンブリ |
| (5) | 昇降チューブ |
| (6) | ベルクロスストラップ |
| (7) | フットサポートとストラップ |
| (8) | トラックロックピン |
| (9) | ブレーキ |
| (10) | 固定脚 |
| (11) | スキッドクランプ |
| (12) | スキッド中央ダイキャスト |
| (13) | 折りたたみ式脚 |
| (14) | ケーブルガード |
| (15) | ケーブルガード調整ノブ |
| (16) | 外部チューブ |
| (17) | ストラット |
| (18) | ボトムクランプ |
| (19) | オンショットクランプ |
| (20) | ステアリングリング |
| (21) | シュレーダーバルブとキャップ |
| (22) | 圧力ゲージ |

はじめに

ヴィジョン Ped Plus スタジオ用ペデスタルは、携帯型空気圧式カメラマウントで、最大 30kg (66 ポンド) の荷重を支えることができます。伸縮コラムとホイール付スキッドアセンブリで構成されています。運搬の便をはかるため、伸縮コラムとスキッドを切り離すことができます。また、スキッドは折りたたみ可能です。

伸縮コラムは、外部チューブ、昇降チューブ、タンクアセンブリで構成されています。外部チューブは、スキッドの中に取り付けられ、ペデスタルに強度と安定性を与えるために 3 本のストラットが装備されています。昇降チューブは外部チューブに対して上下に摺動し、ペデスタル使用時の高さを調整することができます。タンクアセンブリは、ペデスタル上部の可動部品で、荷重に対するバランス力を生成します。また、加圧ポンプとして機能します。

スキッドは、中央のダイカストにキャリングハンドルが付属し、固定脚および 2 本の折りたたみ式脚で構成されています。各脚には、ブレーキ付キャスターホイールとコラムを支持するためのストラップ付フットサポートが付属しています。100 mm (4 インチ) のホイールには、ケーブルガードとトラックロックが付いているので、ペデスタルのキャスター動作、トラッキング動作、ステア動作が可能です。

操作

ペDESTALの組み立て

スキッド

(図 2)

スキッドの上下を反転させ、脚を固定しているプランジャ (13.1) を押し下げます。各折りたたみ式脚 (13) を外側へ回転させ、プランジャによってロックされる位置まで完全に開きませず。

ホイールを下にしてスキッドを地面に置き、ホイールブレーキ (9) を掛けます。

コラム

以下の手順でスキッドにコラムを取り付けます。

スキッドクランプ (11) を完全に緩めます。

コントロールバルブ (2) が、WORK の位置にセットされていることを確認します。

ベルクロ固定ストラップ (6) を外します。

ステアリングリング (20) を上にした状態で伸縮コラムを垂直にし、3本のストラット (17) をほとんど水平になるまで、上方に回転させます。

ステアリングリングを用いてコラムアセンブリを持ち上げ、次に垂直下方に降ろしてスキッド中央のダイカストの中に挿入します。この際、ボトムクランプのノブ (18) とスキッドのハンドルが、同じ方向を向くようにします。ストラット (17) をフットサポート (7) に取り付けます。

各ストラットをゴム製ストラップでフットサポートに固定します。適切な締め付け圧でスキッドクランプ (11) を締め付けます。

ベルクロ固定ストラップ (6) をスキッドのホイールから離して固定します。

ペDESTALの加圧

ヴィジョン Ped Plus ペDESTALは、内蔵ポンプやヴィンテンポーダブルポンプ、外部の圧力源を使用して加圧することができます。

ペDESTALに取り付ける荷重 (荷重 = パン & チルトヘッド、カメラ、レンズおよびすべての補助機材) を確認します。グラフ (図 3) を参照して、横軸上に荷重をマークし、そこから、垂直方向に直線を引きます。荷重に対するガス圧を示す直線との交点から縦軸に向かって水平線を引き、必要なガス圧を読み取ります。

内蔵ポンプを使用してペDESTALを加圧する



警告! ゲージの赤色表示の前線で示されている最大安全動作圧力を超えてペDESTALを加圧しないでください。ペDESTALには、過剰な加圧を防ぐために圧力リリーフバルブが取り付けられています。圧力リリーフバルブの調整は行わないでください。ポンプで加圧する前に、荷重を取り外してください。

内蔵ポンプを使用してペDESTALを加圧するには、以下の手順に従います。

コントロールバルブ (2) を PUMP 位置にセットします。

ボトムクランプ (18) が掛かっていることを確認します。

荷重が取り付けられている場合には取り外します。

オンショットクランプ (19) を緩めます。

ステアリングリング (20) を残圧に抗して押し下げ、セーフティキャッチ (3) を解放します。セーフティキャッチを水平位置にセットします。

ステアリングリング (20) を使用して、上段部を完全に伸びきるまで持ち上げます。上段部を、全ストローク上半分の行程だけ上げ下げし、加圧を始めます。圧力ゲージ (22) が圧力を表示し始めたら、上段部を全ストロークにわたり上げ下げして加圧します。ポンピングを行っている間に必要な動作圧に達したら、動作を停止します。



警告 !: コントロールバルブが WORK にセットされていると、ペDESTALの圧力が急に上昇します。コントロールバルブを PUMP から WORK へ直接動かさないでください。

コントロールバルブ (2) を PUMP と WORK の間の中間の位置にセットし、上段部を完全に上昇させます。

コントロールバルブ (2) を WORK 位置にセットします。

カメラマウントおよび荷重を取り付け、下記のように荷重のバランスを調整します。

ヴァンテンポータブルポンプを使用してペDESTALを加圧する



警告 !: ゲージの赤色表示の前縁で示されている最大安全動作圧力を超えてペDESTALを加圧しないでください。ペDESTALには、過剰な加圧を防ぐために圧力リリーフバルブが取り付けられています。圧力リリーフバルブの調整は行わないでください。

ヴァンテンポータブルポンプを使用してペDESTALを加圧するには、以下の手順に従います。

可動コラム (4) を完全に押し下げ、セーフティキャッチ (3) をかみ合わせます。

ポンプ (図 4) の脚 (P.3) を両方も下ろします。

ハンドルのリリースボタン (P.5) を押し、ハンドル (P.1) を水平の位置まで動かしてロックします。

ホース (P.4) を取り付けである位置 (P.2) から取り外します。ホースをペDESTALの給圧バルブ (21) に接続します。

脚の間にポンプを置き、両足をポンプの脚 (P.3) の上に置いて立ちます。

ハンドル (P.1) を両手で握り、ストロークいっぱいに動かして、ペDESTALを必要な圧力まで加圧します。ゲージ (22) の赤色表示の前縁で示されている最大安全動作圧力を超えないようにしてください。

ホース (P. 4) をペDESTALの給圧バルブから切り離しますが、この段階ではシュレーダーバルブキャップを取り付けしないでください。ホースを取り付けてあった位置 (P. 2) に戻します。

ポンプのプランジャを完全に押し下げ、ハンドルのリリースボタン (P. 5) を押し、ハンドル (P. 1) を垂直になるまで回転させます。この位置で、ハンドルは閉じた状態のプランジャをロックします。

両方の脚 (P. 3) を折りたたみます。

外部の圧力源を使用して加圧する



警告! このペDESTALは、清浄で乾燥した空気または窒素のみを使用して加圧しなければなりません。ガスシリンダとホースの出力側との間の圧力を調整するために、減圧バルブを取り付ける必要があります。減圧バルブは、ガスシリンダの出口にネジ止めしなければなりません。減圧バルブの排気側の最大圧は、9.6 bar (139 psi) を超えてはなりません。ゲージの赤色表示の前縁で示されている最大安全動作圧力を超えてペDESTALを加圧しないでください。ペDESTALには、過剰な加圧を防ぐために圧力リリーフバルブが取り付けられています。圧力リリーフバルブの調整は行わないでください。

外部の圧力源を使用してペDESTALを加圧するには、以下の手順に従います。

可動コラム (4) を完全に押し下げ、セーフティキャッチ (3) をかみ合わせます。

シュレーダーバルブキャップ (21) を取り外し、圧力源の給圧システムを接続します。

圧力源を起動し、ペDESTALの圧力を必要な圧力までゆっくりと加圧します。ゲージ (22) の赤色表示の前縁で示されている最大安全動作圧力を超えないようにしてください。

給圧システムを切り離しますが、この段階ではシュレーダーバルブキャップを取り付けしないでください。

荷重の取り付けおよびバランス調整

ペDESTALの加圧が完了すると、カメラマウントと荷重の取り付けおよびバランス調整を行うことができます。



警告! カメラマウントと荷重の取り付けは、可動コラムを押し下げ、セーフティキャッチをかみ合わせた状態で行います。

ヴィジョン Ped Plus には、100mm のボールマウントが装備されていますが、取り外して標準的な 4 ボルト型取り付けプレートを使用することもできます。

カメラマウントを固定したら、以下の手順に従います。

荷重を、完全に押し下げた状態のペDESTALの上段部に取り付けます。パンパー、ブロンプタ、レンズなどのすべての部品が取り付けられていることを確認します。後からこれらの部品の取り付けると、ペDESTALのバランスが崩れる場合があります。

ステアリングリング (20) を残圧に抗して押し下げ、セーフティキャッチ (3) を解放します。セーフティキャッチを水平位置にセットします。コラムを完全に伸ばします。

シュレーダーバルブキャップ (21) を使用して、0.15 ~ 0.20 bar (2 ~ 3 psi) 刻みで慎重に減圧し、荷重を正しくバランスさせます。正しく加圧されたペDESTALは、オンショットストローク全体のどの位置へも最小の力で荷重を動かすことができ、ステアリングリングを離れたときにその位置が維持されるようにバランスを保つことができます。



警告! シュレーダーバルブキャップ (21) は、重要な封圧材です。必ずキャップを元に戻し、指先でネジを締め付けてください。

ペDESTALの使用

高さの調整

下段部

昇降チューブ (5) は、ペDESTAL高さ調整機構の下段を構成しており、434 mm (17.1 インチ) の可動範囲があります。ペDESTALに荷重が搭載されている際の昇降がしやすいよう加圧されています。高さの調整は、以下に行います。

上段部 (4) を下げ、セーフティキャッチ (3) をかみ合わせます。

ステアリングリングを保持して荷重の重量を支え、赤いノブを反時計回りに回してボトムクランプ (18) をゆるめ、下段部が自由に動くようにします。

ステアリングリングを使ってコラムを必要な高さにセットし、ボトムクランプ (18) を締めます。

上段部

コラム上段部のオンショットストロークは 410 mm (16.1 インチ) で、ステアリングリングを上下することによって、バランスを保ったまま荷重をこの距離の中で移動させることができます。

ペDESTALには、上段用のクランプ (19) が付いています。高さを固定して操作を行う必要がある場合、このクランプを用いて上段部を定位置に保持することができます。クランプを効かせる場合はクランプレバーを時計回りに回し、解放する場合には反時計回りに回します。

ブレーキ

各スキッドホイールには、脚で操作できるブレーキ（9）が付属しています。ブレーキは、ホイール上部にあるレバーを押し下げると作動し、中央の「ポップアップ」レバーを押し下げると解放されます。この「ポップアップ」レバーは、ブレーキがかかっている場合上がった状態になっています。



警告！：ペDESTALを無人の状態に置く場合には、常にブレーキをかけておきます。

ケーブルガード

ケーブルガード（14）は高さの調整が可能となっており、必要に応じて使用します。調整はノブ（15）を緩めて行い、ケーブルガードを必要な位置に移動させてからノブを再度締め付けます。

ペDESTALの移動

スタジオバージョン用スキッドのホイールは、直進する位置にロックするか、キャストに設定することができます。キャスト / ロックの切り替えは、各ホイールアセンブリに取り付けられたスプリング付きトラックロックピン（8）で行います。折りたたまれた脚に付けられたこのピンには黒色のノブがあり、固定された脚のピンには赤いノブがついています。ピンの取り付けまたは取り外しを行うには、ピンをスプリングの力に対抗して引き出し、90°回転させます。ピンは、ホイールが正しい位置にある時にだけセットすることができます。この操作によって、キャスト、トラッキング、ステアの各動作を行うことができます。



警告！：特に平らでない面の上を移動させるときに安定性を最大限保つために、ペDESTALの高さを最低にしてください。

キャスト動作

キャスト動作を行うには、3本のトラックロックをすべて取り外します。スキッドを任意の方向に自由に動かせるようになります。

トラッキング動作

トラッキング動作を行うには、3本のトラックロックをすべて取り付けます。スキッドを、前後の直線方向にのみ動かすことができます。

ステア動作

ステア動作を行うには：

移動する方向に固定脚（赤いノブのついている脚）が向くように、スキッドを配置します。赤いトラックロックを取り外します。

黒色のトラックロックを取り付けます。

前面を向いたスキッドの固定脚が動いて、「ステアリングタイプ」のような動作をします。

運搬と保管



警告！：加圧したペDESTALの運搬と保管には、地域、国または国際的な規制が適用されることがあります。

メモ：運搬または保管する前には、ペDESTALの圧力を下げる必要はありません。ほこりなどが可動部品上に付着しないように、コラムを最も低い位置にします。

運搬と保管の便をはかるため、コラムとスキッドを切り離すことができます。

コラムとスキッドを切り離すには：

上段部 (4) を下げ、セーフティキャッチ (3) をかみ合わせます。

昇降チューブ (5) を止まる位置まで下げます。

ボトムクランプ (18) を締め付けます。

荷重を取り外します。

スキッドクランプ (11) とゴム製固定ストラップ (7) を解放します。ストラットをフットサポートから離して持ち上げます。

ステアリングリングを使って伸縮コラムを垂直に持ち上げ、スキッドアセンブリから離します。次に、固定ストラップでストラットを固定します。



警告！：コラムは自身の台座、あるいは折り畳んだ状態のストラットで立っている場合は、不安定になります。

スキッド下側にある脚固定用プランジャをそれぞれ押し下げて、脚を折りたたみません。

サービス

全般的なサービス

ヴィジョン Ped Plus ペデスタルは、高度な技術基準でしっかりと製造されており、簡単な清掃を定期的に行うだけでメンテナンスに注意を払う必要はほとんどありません。長く修理をしないで使用していただくために、以下の点についてご注意ください。

清掃

スタジオでの通常の使用では、不織布で定期的に拭き取りを行うだけで結構です。保管中または使用しなかった期間にたまったほこりは、堅すぎないブラシを使って取り除きます。コラム上段の平面部については特に注意してください。

メモ：コラムの露出した面に、オイルまたはグリスを使用しないでください。潤滑は不要であり、摩耗の原因となる塵埃が付着します。

不安定な条件の野外で使用する場合、特に厳しい環境で使用するときには注意が必要です。塩水がかかった場合は、できるだけ早く真水で洗い流してください。コラム内に水が入らないようにしてください。砂やほこりによって部品がすり減ることがありますので、堅すぎないブラシか掃除機を使用して取り除いてください。

メモ：洗剤だけを含むクリーナを使用してください。製品の表面を傷つけるため、溶剤や油性クリーナ、研磨剤やワイヤブラシを使用してたまったほこりを取り除かないでください。

定期的な点検

通常の使用時には、以下の点を確認してください。

ゴム製固定ストラップは経年劣化やクラックの発生の有無を確認し、必要に応じて交換してください。

クランプの効果を確認してください。

スキッドのトラッキングを確認してください。

上段部の回転方向および横方向の遊びを確認してください。

調整

長期間使用した後に必要となる調整には、以下のものがあります。

ボトムクランプの摩耗の調整。

トップクランプおよびスキッドクランプの摩耗分の調整。

スキッドのホイール調整。

上段部の回転方向および横方向の遊びの縮小

ボトムクランプの調整

(図 5)

指で締め付ける際、ボトムクランプノブ (18) の「V」ノッチが見えるようにします。ボトムクランプを調整するには：

ネジカバー (18.3) を取り外します。ノブ (18) をスピンドル (18.4) に固定しているネジ (18.2) とワッシャ (18.1) を取り外します。

ノブを取り外し、スピンドル (18.4) を時計回りに指で強く締まるまで回します。

ノブ (18) をスピンドル (18.4) に戻し、クランプノブの「V」ノッチが見えるようにします。

ネジ (18.2) の油を除去してロックタイト 222E を塗布し、ノブをワッシャー (18.1) とネジ (18.2) で固定します。ネジカバー (18.3) を元に戻します。

トップクランプとスキッドクランプの調整

(図 1)

トップクランプ (19) とスキッドクランプ (11) は、ハンドルを時計回りに回すと作動し、反時計回りに回すと解放されます。ハンドルは両者とも、押すと掛かり引くと外れるラチェット機構になっています。

トップクランプとスキッドクランプの調整を行うには、クランプハンドルをスピンドルから引き起こし、時計回りに回して解放します。

クランプが、作動させたときには適切に効き、解放したときには自由に動かせる状態になるまで、この手順を必要に応じて繰り返します。

スキッドのトラッキング

(図 6)

長期間使用した後に、スキッドのトラッキング調整が、必要になる場合があります。トラッキングは以下の方法でチェックします：

トラックロックをセットして荷重を取り付け、スキッドを直線に沿って 3.6m (12 フィート) 動かした時に、ずれが 5cm (2 インチ) を超えてはなりません。この基準を満たしていない場合は、ホイールの再調整が必要です。ホイールを再調整するには、まず、固定脚の赤いロックノブを使用してホイールの調整を行います。これによって、通常は配置の問題を調整することができます。

スキッドの配置を再調整するには：

スキッドからコラムを取り外します。

各キャスターについて、トラックロック (8) を掛けます。

固定脚のフットサポート (7) から 2 本のネジ (7.1) を取り外し、次にフットサポートを取り外します。

適切なスパナを使用してナット (8.1) を取り外します (ヴィンテン部品番号 3319-900SP のスパナが適しています)。

ナットにロックタイト 242 を塗り、元の位置に戻して軽く締め付けます。

固定脚上のホイールが脚と平行になるように位置を合わせます。

スタジオの床の適切な直線を使用して、3.6m (12 フィート) でずれが 5cm (2 インチ) を超えないことを確認します。上記の状態になるまで調整を行います。調整できない場合には、他の 2 本の脚のホイールを調整する必要があります。

ホイールが正しく調整されたら、ナット (8.1) を締め付けます。

各脚にフットサポート (7) を取り付け、2 本のネジ (7.1) で固定します。

昇降チューブあるいは上段部の回転方向および横方向の遊びの縮小

昇降チューブあるいは上段部の回転方向または横方向の遊びが大きすぎる場合には、メンテナンスマニュアルの該当するセクションを参照してください。調整は、資格を持つ担当者が行います。

部品リスト

以下のリストには、主要部品、ユーザーが交換可能なスペア部品およびオプションのアクセサリが記載されています。修理用または交換用部品についての詳細な情報は、Vinten または地域の販売店にお問合せください。

オンライン情報については、弊社の Web サイトをご覧ください。

www.vinten.com

主要部品

ヴィジョン Ped Plus スタジオペDESTAL	V3951-0001
コラム	V3951-1000
スタジオスキッド	V3955-0001
100 mm レベリングボール	3330-16

オプションのアクセサリ

ヴィンテンポータブルポンプ	3357-21
-------------------------	---------

序言

感谢您购置由云顿 (Vinten) 制造的新型 Vision Ped Plus 气压升降台。让我们亦为此向您表示祝贺！

我们希望此 Vision Ped Plus 气压升降台能为您发挥最大效用，因此，我们鼓励您阅读本《操作指南》，熟悉其多种功能：其中一些功能可能对您是新的。同时，本《操作指南》还包括关于健康及安全的基本信息，以及关于维护保养的章节，确保您将本产品长期保持在最佳状态。

为获得更多优惠，请现在就向云顿 (Vinten) 登记。登记可在网上 (www.vinten.com/register) 进行，也可使用随附的表格。

新型 Vision Ped Plus 气压升降台的性能特点及优越性

Vision Ped Plus 气压升降台的设计宗旨，就是迎合轻型演播室摄像机操作员的苛刻要求。Vision Ped Plus 气压升降台提供高水平的控制能力，并具有许多匠心独运的性能特点。

- 适用于多种轻型专业演播室摄像机，最大承重达 30 公斤 (66 磅)
- 新型锥形柱塞系统可在 41 厘米 (16.1 英寸) 的拍摄升降范围全程保持完美平衡
- 内置压力表清晰显示系统压力，无论利用外部气源还是内置充气泵给气压升降台充气均十分有用
- 气压协助的新型下段升降柱，使高度调节可轻松进行，并提供最大 159.5 厘米 (62.8 英寸) 的高度设定范围
- 每个滑轮均有循迹锁定装置，提供自由回转、直线循迹和“操纵模式”移动
- 经改进的滑轮制动系统确保持续、平滑的运行

再次感谢您选购 Vision Ped Plus 气压升降台。

我们深信本产品将为您提供多年的可靠表现。

安全事项 — 请先细阅

本《操作指南》中的警告标志



只要有导致个人伤害、对他人伤害、或损坏气压升降台及相关器材的可能，本指南均会提供说明，并以“警告”字样和三角形警告图标加以提示。

气压升降台上的警告标志

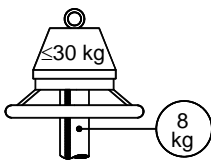


如看到三角形警告图标及翻开之书本的图标，您必须先查阅本《操作指南》再使用此气压升降台，或进行任何调节或修理。

关键数据

自重

升降单元 8 公斤 (17.6 磅)
滑轮车 5.5 公斤 (12.1 磅)



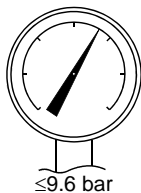
承重

最大承重 30 公斤 (66 磅)



压力

最大压力 9.6 巴 (139 psi)



技术数据

承重	30 公斤 (66 磅)
升降单元重量	8 公斤 (17.6 磅)
滑轮车重量	5.5 公斤 (12.1 磅)
气压升降台总重	13.5 公斤 (29.7 磅)
至 100 毫米球碗适配器安装面最小高度	75.1 厘米 (29.6 英寸)
至 100 毫米球碗适配器安装面最大高度	159.5 厘米 (62.8 英寸)
至平底安装面最小高度	63.7 厘米 (25.1 英寸)
至平底安装面最大高度	148.1 厘米 (58.3 英寸)
拍摄升降范围	41.0 厘米 (16.1 英寸)
滑轮直径	10.0 厘米 (4 英寸)
滑轮车轮臂半径	55.85 厘米 (22.0 英寸)
拍摄移动宽度	95.6 厘米 (37.6 英寸)
运输移动宽度	73.3 厘米 (28.9 英寸)
操纵环直径	35.0 厘米 (13.8 英寸)
最大工作压力	9.6 巴 (139 psi)
泄压阀压力	10.7 巴 (155 psi)

用途

Vision Ped Plus 轻型气压升降台适用于电视演播室和实况拍摄现场，可支撑并且平衡总重达到 30 公斤 (66 磅) 的云台、摄像机及辅助器材。

Vision Ped Plus 轻型气压升降台适于由电视摄像师操作。



警告： 假如您不知道如何操作此气压升降台，请不要贸然试用。
本《操作指南》中没有说明的维护程序，须由胜任的人员按照《维护手册》所述之程序进行。

目录

	页码
序言	123
安全事项 — 请先细阅	124
关键数据	124
技术数据	125
介绍及描述	128
操作	
装配升降台	129
给气压升降台加压	129
使用气压升降台	133
维护	
维护须知	135
清洁	135
日常检查	135
调节	135
零配件清单	137
插图	139

Vision Ped Plus 演播室型气压升降台 (图 1)

- (1) 100 毫米水平调整球碗适配器 (100 mm levelling bowl adaptor)
- (2) 控制阀 (Control valve)
- (3) 保险掣 (Safety catch)
- (4) 气罐构件 (Tank assembly)
- (5) 升降管 (Elevation tube)
- (6) Velcro 带 (Velcro strap)
- (7) 脚托及紧固带 (Foot support and strap)
- (8) 循迹锁定销 (Track locking pin)
- (9) 刹车 (Brake)
- (10) 固定轮臂 (Fixed leg)
- (11) 滑轮车夹 (Skid clamp)
- (12) 滑轮车中央铸件 (Skid centre casting)
- (13) 折叠轮臂 (Folding leg)
- (14) 电缆护框 (Cable guard)
- (15) 电缆护框指动轮 (Cable guard adjustment knob)
- (16) 外套管 (Outer tube)
- (17) 支柱 (Strut)
- (18) 底部夹 (Bottom clamp)
- (19) 升降夹 (On-shot clamp)
- (20) 操纵环 (Steering ring)
- (21) Schrader 阀及阀盖 (Schrader valve and cap)
- (22) 压力表 (Pressure gauge)

介绍及描述

Vision Ped Plus 气压升降台是完全可移动的气压式摄像机承托系统，设计的最大承重为 30 公斤 (66 磅)。此气压升降台由中央升降单元和滑轮车组成。为便于运输，升降单元和滑轮车可分拆，滑轮车还可折叠。

升降单元由一个外套管（固定在滑轮车上，并有三根支柱为气压升降台提供强度和稳定性）、一个升降管（可相对于外套管升降，决定气压升降台的工作高度）、以及一个气罐（构成气压升降台的上段移动部分，为负载提供平衡补偿力，还可作为加压用的充气泵）组成。

滑轮车单元由一个装有携带把手的中央铸件、一根固定轮臂和两根折叠轮臂组成。每条轮臂均有一个带制动装置的滑轮，并有一个带有紧固带的脚托装置，以支撑升降单元。滑轮车装有 100 毫米 (4 英寸) 滑轮，并配备电缆护框和循迹锁，可为气压升降台提供三种移动模式：自由回转 (castor)、循迹 (track) 和操纵 (steer)。

操作

装配升降台

滑轮车

(图 2)

将滑轮车翻转，按下锁定轮臂的弹簧柱塞 (13.1)，依次展开折叠轮臂 (13)，直至柱塞将轮臂锁定在完全展开位置。

将滑轮车滑轮朝下放在地上，启用滑轮刹车 (9)。

升降单元

按下述程序将升降单元装到滑轮车上：

完全松开滑轮车夹 (11)。

确保控制阀 (2) 置于“工作”(WORK) 位置。

松开 Velcro 紧固带 (6)。

将升降柱置于直立状态 (操纵环 (20) 在上面)，将三根支柱 (17) 展开至接近水平位置。

握住操纵环提起升降柱，然后将其垂直放入滑轮车中央铸件，确保底部夹 (18) 与滑轮车携带把手对齐。将支柱 (17) 插入脚托 (7)。

用橡胶带将各支柱固定在脚托上。用适度手力收紧滑轮车夹 (11)。

绑上 Velcro 紧固带 (6)，注意避开滑轮车的滑轮。

给气压升降台加压

Vision Ped Plus 气压升降台可用内置充气泵、云顿 (Vinten) 便携式充气泵或外部充气设备加压。

首先确定此气压升降台须承受的载荷 (载荷 = 云台 + 摄像机 + 镜头 + 所有辅助器材)。在坐标图 (图 3) 的横轴上标出载荷，再从此点画一条垂直线至平衡线，在交点处再画一条水平线至竖轴，即得出所需的气压。

采用内置充气泵给气压升降台加压



警告：给气压升降台加压时，不得超过最大安全工作压力，即超越气压表红色区域的前沿。此气压升降台装有一个泄压阀以防范加压过度。
不要试图调节泄压阀。
充气前先卸下负载。

采用内置充气泵给此气压升降台加压的程序如下：

将控制阀 (2) 置于“充气”(PUMP) 位置。

确保底部夹 (18) 已启用。

卸下负载（如已安装）。

松开升降夹（19）。

压下有剩余压力作用的操纵环（20），松开保险掣（3）。将保险掣置于水平位置。

抓住操纵环（20），将上段升降柱完全提起。将上段升降柱在其上半行程压下和提起，即开始充气。当压力表（22）开始有反应时，将上段升降柱沿着其整个行程压下和提起。一旦达到所需压力，应停止充气动作。



警告：假如控制阀被直接拨到“工作”（WORK）位置，加压后的气压升降台会快速抬升。因此，不要将控制阀从“充气”（PUMP）直接拨到“工作”（WORK）。

将控制阀（2）置于“充气”（PUMP）和“工作”（WORK）之间的中间位置，让上段升降柱完全抬升。

将控制阀（2）置于“工作”（WORK）位置。

按下文程序安装及平衡摄像机承托系统和负载。

使用云顿（Vinten）便携式充气泵给气压升降台加压



警告：给气压升降台加压时，不得超过最大安全工作压力，即超越气压表红色区域的前沿。此气压升降台装有一个泄压阀以防范加压过度。不要试图调节泄压阀。

采用云顿（Vinten）便携式充气泵给此气压升降台加压的程序如下：

完全压下降降柱（4），直至保险掣（3）锁定到位。

展开充气泵（图4）的两个下翻式支脚（P.3）。

按下手柄释放钮（P.5），将手柄（P.1）扳至水平位置，此时手柄会锁定。

将软管（P.4）从其储藏处（P.2）拉出。将软管接至气压升降台的充气阀（21）。

将充气泵置于两腿之间，两脚分别踏在两个下翻式支脚（P.3）上。

双手紧握手柄（P.1），用稳健、到位的打气动作将气压升降台加压至所需压力。不得超过最大安全工作压力，即超越气压表（22）红色区域的前沿。

将软管（P.4）从气压升降台的充气阀上卸下，但此时还不要装回 Schrader 阀的阀盖。将软管放回其储藏处（P.2）。

将充气泵的推杆完全压下，按下手柄释放钮（P.5），将手柄（P.1）扳至垂直位置，此时泵的柱塞会锁定在闭合位置。

折叠起支脚（P.3）。

采用外部充气设备加压



警告：此气压升降台只能用洁净、干燥的空气或氮气加压。气瓶与软管接口之间必须安装一个减压阀。减压阀必须拧入气瓶出口。减压阀出口侧的最大压力不得超过 9.6 巴 (139 psi)。给气压升降台加压时，不得超过最大安全工作压力，即超越气压表红色区域的前沿。此气压升降台装有一个泄压阀以防范加压过度。不要试图调节泄压阀。

采用外部充气设备给此气压升降台加压的程序如下：

完全压下升降柱 (4)，直至保险掣 (3) 锁定到位。

取下 Schrader 阀的阀盖 (21)，接上外部充气设备的充气管路。

开启充气设备，缓慢增加气压升降台的压力至所需压力。不得超过最大安全工作压力，即超越气压表 (22) 红色区域的前沿。

断开充气管路，但此时还不要装回 Schrader 阀的阀盖。

安装及平衡负载

气压升降台完成加压后，即可安装及平衡摄像机承托系统和负载。



警告：应在升降柱 (4) 完全压下、保险掣 (3) 锁定到位时安装摄像机承托系统和负载。

Vision Ped Plus 气压升降台配备 100 毫米球碗安装适配器。亦可拆下此适配器，而改用标准的四孔安装托板。

摄像机承托系统装妥后，应按下列程序操作：

将负载装到完全压下的上段升降柱上，确保所有器材，如云台手柄、提示器、镜头等都安装到位。以后安装此等器材可能会影响气压升降台的平衡。

压下有剩余压力作用的操纵环 (20)，松开保险掣 (3)。将保险掣置于水平位置。让升降柱完全抬升。

使用 Schrader 阀盖 (21)，以 0.15-0.20 巴 (2-3 psi) 的步幅减低压力，直至负载正确平衡。经正确加压的气压升降台将能够有效平衡其载荷，使其在整个拍摄升降范围仅需很少力就能被移动到任何位置，并在松开操纵环后保持其位置。



警告：Schrader 阀盖 (21) 构成主要的压力密封。应记住将其装回并用手拧紧。

使用气压升降台

高度调节

下段

升降管 (5) 构成气压升降台高度调节的下段，有 434 毫米 (17.1 英寸) 的升降范围，并有气动机构，在气压升降台承托摄像设备时便于升降。调节高度设置的程序如下：

压下上段升降柱 (4)，启用保险掣 (3)。

握住操纵环以支撑负载重量，然后松开底部夹 (18)：将红色旋钮逆时针转动，直至下段升降柱可自由移动。

用操纵环将升降柱设定在所需高度，然后重新收紧底部夹 (18)。

上段

上段升降柱有 410 毫米 (16.1 英寸) 的拍摄升降范围，可通过升高或降低操纵环在此范围内移动负载而保持平衡。

此气压升降台的上段升降柱装有一个夹紧装置 (19)。需要固定高度操作的时候，可用它锁定上段升降柱的位置。顺时针转动旋钮即启用夹紧装置，逆时针转动旋钮即松开夹紧装置。

刹车

滑轮车的每一个滑轮上均装有用脚操作的刹车 (9)。按下滑轮上方的刹车钮，即启用刹车，按下中央的“弹出式”按钮（在刹车启用状态下弹出），即松开刹车。



警告：气压升降台不用时，均应启用刹车。

电缆护框

电缆护框 (14) 是可以调节高度的，应根据需要进行设定。调节时，应松开旋钮 (15)，然后根据所需高度设定电缆护框，再重新拧紧旋钮。

气压升降台的移动

演播室型滑轮车的滑轮，可锁定在正前位置，亦可设置成自由回转模式。回转 / 锁定的切换，是通过各滑轮构件上带弹簧的循迹锁定销 (8) 实现的。折叠轮臂上的锁定销配有黑色旋钮，固定轮臂上的锁定销配有红色旋钮。启用或松开锁定销，可顶住弹簧力将其拔起，扭转 90°。只有在滑轮正确对齐的情况下，锁定销才会与滑轮接合。这种设计提供三种移动模式：自由回转、循迹和操纵。



警告：为确保最大稳定性，尤其是在不平整地面上移动的情况下，应将气压升降台降低至最小高度。

自由回转移动

要进行自由回转移动，应松开所有三个循迹锁定销。这样，滑轮车可向任何方向自由移动。

循迹移动

要进行循迹移动，应启用所有三个循迹锁定销。这样，滑轮车可在一条直线上前后移动。

操纵移动

要进行操纵移动：

调整滑轮车位置，使固定轮臂（配有红色旋钮）指向移动方向。松开红色锁定销。

启用两个黑色锁定销。

这样，在滑轮车固定轮臂向前的情况下，滑轮车可在“操纵模式”下被移动。

运输和储藏



警告：当地、所在国家或者国际法规可能适用于已加压的气压升降台的运输和储藏。

注意：在运输或储存之前没有必要减低气压升降台的压力。为防止移动部件上积累灰尘或腐蚀性颗粒，应将升降柱置于最小高度。

升降单元和滑轮车可拆卸分离，以方便运输和储藏。

分拆升降单元和滑轮车的具体程序如下：

压下上段升降柱（4），启用保险掣（3）。

将升降管（5）压至最低限度。

收紧底部夹（18）。

卸下负载。

松开滑轮车夹（11），并三个紧固橡胶带（7）从支柱上松开。提起支柱，使其脱离脚托。

握住操纵环，将整个升降单元垂直提起，使其脱离滑轮车，然后用绑带扎住支柱。



警告：升降单元直立在其底座或收拢的支柱上时将会不稳。

在滑轮车下侧，依次按下锁定每条轮臂的柱塞，收拢滑轮车轮臂。

维护

维护须知

Vision Ped Plus 气压升降台按高度的技术标准生产，构造坚固，除了定期的清洁之外，基本上无需额外的维护程序。做到以下几点，即可确保长期高效的使用寿命而几乎无需修理。

清洁

正常演播室内使用时，唯一须进行的清洁，是定期用一块不脱毛的布擦拭表面。储存或闲置期间累积的灰尘，可用一把半硬的刷子去除。应格外注意上段升降柱接触滑轨的表面。

注意：切忌在升降单元之任何外露部分使用油或油脂。这不仅没有必要，还会沾染起腐蚀作用的灰尘。

在户外使用需要特别留意，尤其是在环境恶劣的情况下。如被溅到盐水，应尽快用淡水擦洗干净。不要让水进入升降单元。沙土、灰尘有腐蚀作用，应使用半硬的刷子或真空吸尘器去除。

注意：只可使用洗涤剂类型的清洗剂。切勿用溶剂型或油性的清洗剂、腐蚀剂或粗硬的刷子来去除累积的灰尘，以免损坏设备表面的保护层。

日常检查

正常使用期间应检查下列项目：

检查用于紧固的橡胶带有无老化及开裂。必要时应予更换。

检查各夹紧装置的松紧程度。

检查滑轮车循迹。

检查上段升降柱有无径隙或侧隙。

调节

在大量使用之后，可能需要进行下列调节：

增加底部夹的夹紧力。

增加升降夹和滑轮车夹的夹紧力。

滑轮车滑轮对齐。

消除上段升降柱的径隙或侧隙。

底部夹的调节

(图 5)

用手拧紧时，底部夹旋钮 (18) 上的 'V' 槽口应在所示限度内。调节底部夹的程序如下：

取下孔塞 (18.3)。拆下将旋钮 (18) 固定在心轴 (18.4) 上的螺丝 (18.2) 和垫圈 (18.1)。

取下旋钮，用手力将心轴 (18.4) 顺时针拧紧。

将旋钮 (18) 装回心轴 (18.4)，使旋钮上的 'V' 槽口位于所示限度内。

去除螺丝 (18.2) 上的油污，涂上乐泰 (Loctite) 222E 密封剂，用垫圈 (18.1) 和螺丝 (18.2) 固定旋钮。安上孔塞 (18.3)。

升降夹和滑轮车夹的调节

(图 1)

升降夹 (19) 和滑轮车夹 (11) 的收紧或松开，都是通过顺时针或逆时针扭动把手实现的。把手有一个推入 / 拉出的调节机构。

调节升降夹和滑轮车夹，可将夹紧装置的把手从心轴拉出，将其顺时针扭动，然后松开。

如有必要，应重复上述程序，直至这些装置收紧时能够锁定，松开时不妨碍顺畅移动。

滑轮车循迹

(图 6)

大量使用后，可能会有必要调整滑轮车的循迹。按下列方法检查循迹性能：

在循迹锁均已启用，并有负载的情况下，滑轮车应能在 3.6 米 (12 英尺) 长的距离内保持直线移动，偏差不得超过 5 厘米 (2 英寸)。如不能达到此标准，则应对滑轮进行重新对齐。重新对齐时，应首先调整固定轮臂上带有红色锁定旋钮的滑轮。往往这就足以纠正循迹问题。

重新对齐滑轮车滑轮的程序如下：

从滑轮车上卸下升降单元。

启用所有滑轮的循迹锁 (8)。

从固定轮臂的脚托 (7) 上拆下两个螺丝 (7.1)，卸下该脚托。

用一把合适的扳手（如部件号为 3319-900SP 的云顿扳手）拆下螺母 (8.1)。

在螺母上使用乐泰 (Loctite) 242 螺纹防松剂，然后将其装回，稍稍拧紧。

校准固定轮臂上的滑轮，使其与轮臂平行。

利用演播室地面一条合适的直线，检查在 3.6 米 (12 英尺) 长的距离内，滑轮车移动偏差不得超过 5 厘米 (2 英寸)。如有必要，应重新调整该滑轮。如经反复调整仍不能达到要求，则应调整另两条轮臂上的滑轮。

滑轮正确对齐后，拧紧螺母 (8.1)。

将脚托 (7) 装回轮臂，用两个螺丝 (7.1) 拧紧。

消除升降管或上段升降柱的径隙或侧隙

假如升降管或上段升降柱出现明显的径隙或侧隙，应查阅《维护手册》中的相关章节。此等调节应由胜任的人员进行。

零配件清单

下列清单包括主要结构组件、可由用户更换的零配件以及可选配的附件。关于修理或零配件的进一步信息，请联络云顿广播设备公司 (Vinten) 或您当地的云顿经销商。

查阅在线信息，请访问我们的网站：

www.vinten.com

主要结构组件

Vision Ped Plus 演播室型气压升降台	V3951-0001
升降单元	V3951-1000
演播室型滑轮车	V3955-0001
100 毫米水平调整球碗适配器	3330-16

可选配的附件

云顿 (Vinten) 便携式充气泵	3357-21
------------------------------	---------

Fig 1

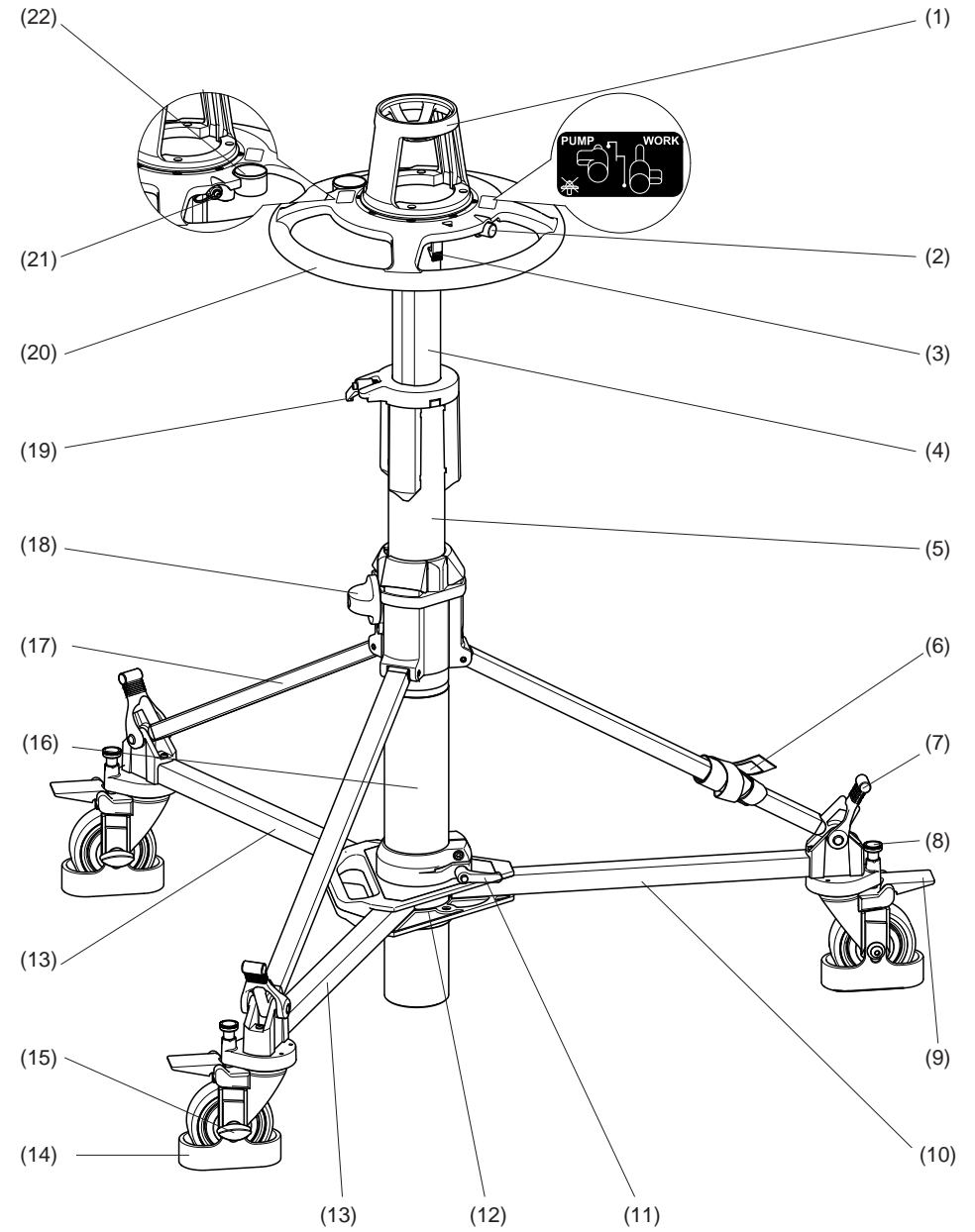


Fig 2

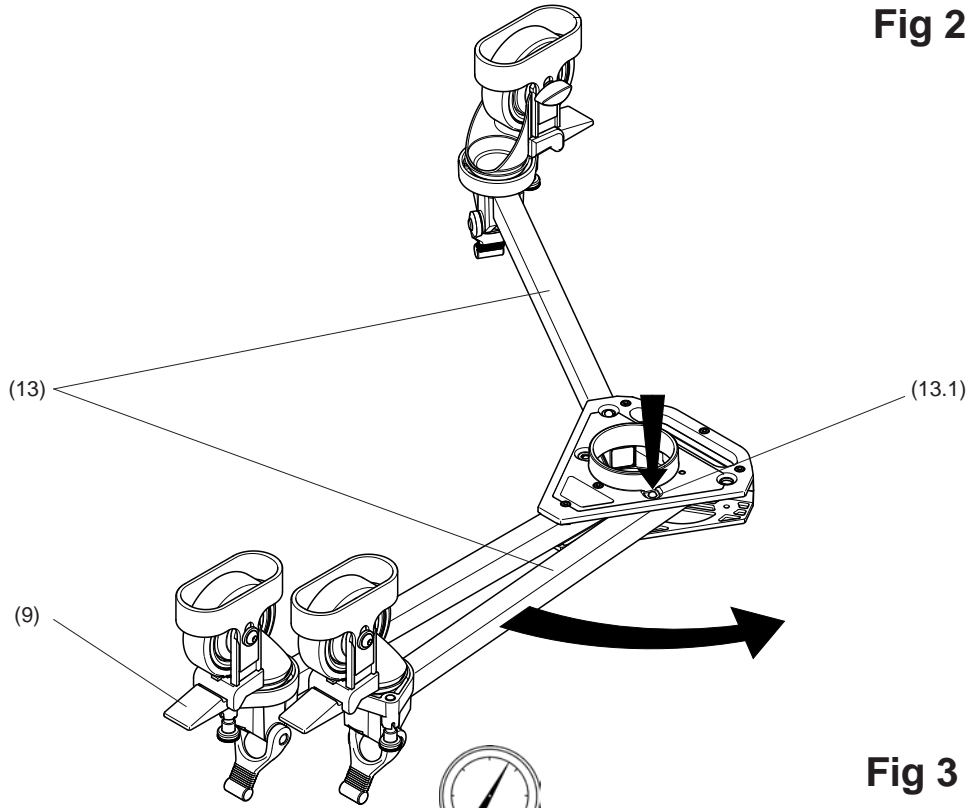


Fig 3

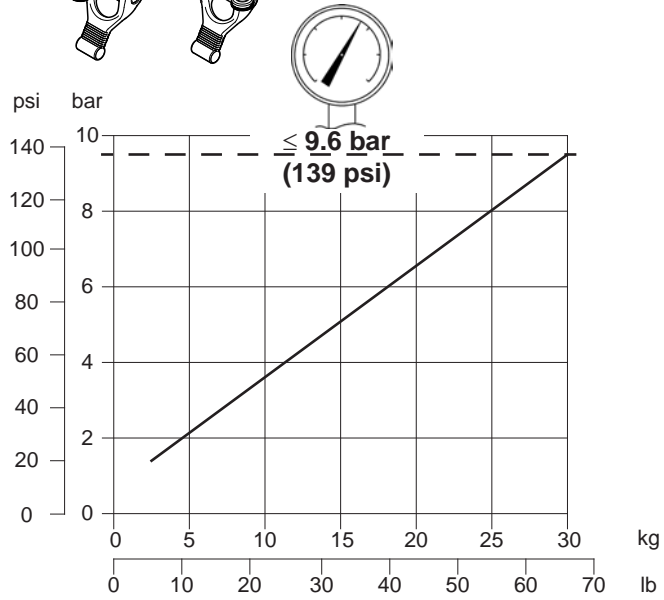


Fig 4

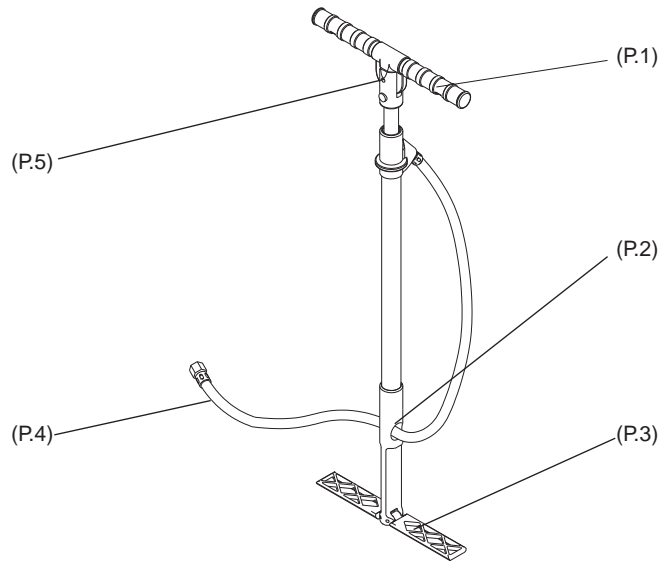


Fig 6

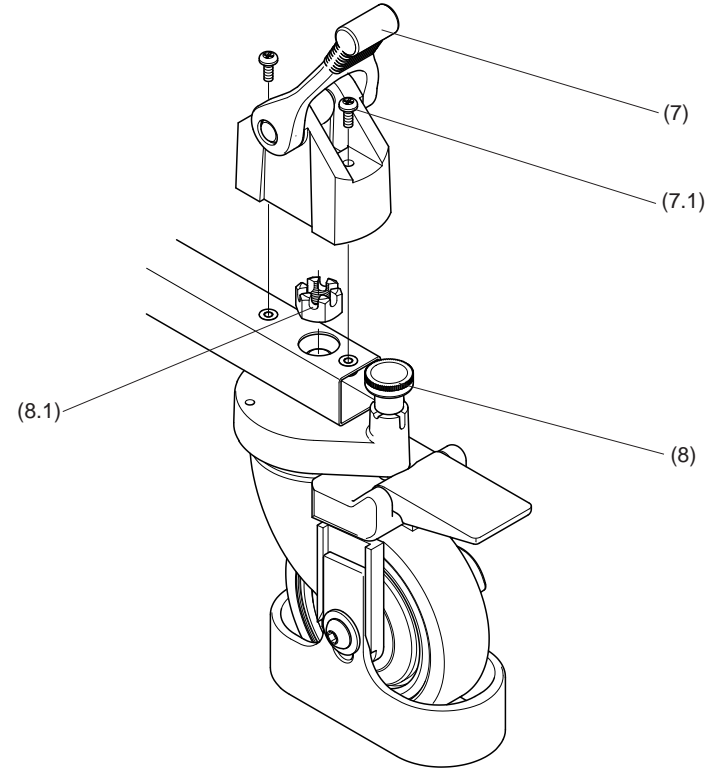
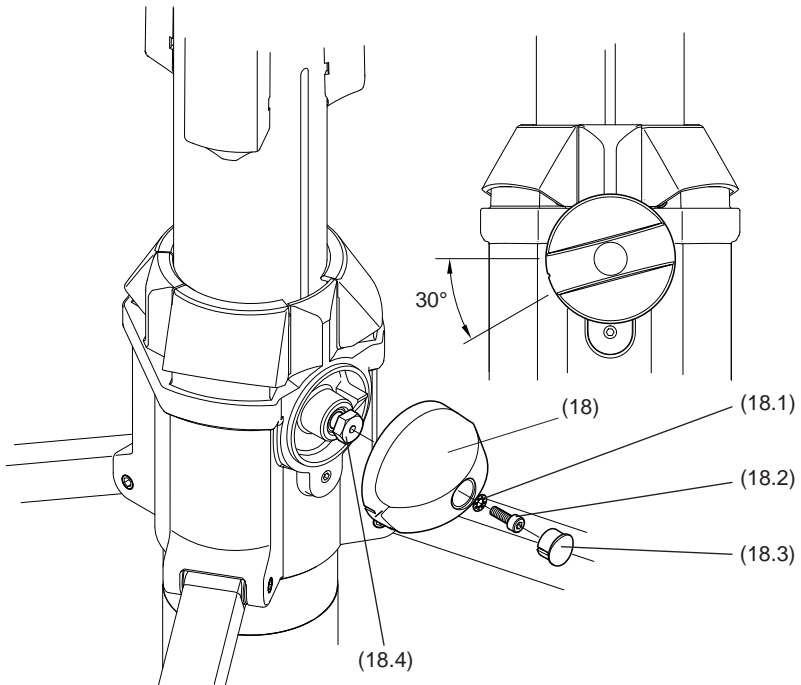


Fig 5



Vision Ped *Plus* Pedestal

CHINA

Vitec China
Rm 706, Tower B
Derun Building
YongAn Dongli A No. 8
Jianwai Ave, Chaoyang District
100022 Beijing, China
Tel. +86 10 8528 8748
Fax. +86 10 8528 8749

FRANCE

Vitec Videocom
171 Avenue des Grésillons
92635 GENNEVILLIERS Cedex
France
Tel. +33 820 821 336
Fax. +33 825 826 181

GERMANY

Vitec Videocom GmbH
Erfurter Straße 16
85386 Eching
Germany
Tel. +49 89/321 58 200
Fax. +49 89/321 58 227

Planiger Straße 34

55543 Bad Kreuznach
Germany
Tel. +49 671/483 43 30
Fax. +49 671/483 43 50

JAPAN

Vinten Japan KK
3-1-38 Shiba Koen
Minato -ku, Tokyo 105-0014
Japan
Tel. +81(0)3 5733 6410
Fax. +81(0)3 5733 6425

SINGAPORE

Vitec Videocom Pte Ltd
6 New Industrial Road
#02-02 Hoe Huat Industrial Building
Singapore 536199
Tel. +65 6297 5776
Fax. +65 6297 5778

UK

Vitec Videocom Ltd
William Vinten Building
Western Way
Bury St Edmunds
Suffolk IP33 3TB
Tel. +44 1284 752 121
Fax. +44 1284 750 560

USA

Vitec Videocom Inc.
709 Executive Blvd
Valley Cottage
NY 10989
USA
Tel. +1 845 268 0100
Fax. +1 845 268 9324

for more information, visit
www.vinten.com

Operating instructions

V3951-4980/3

Information contained in this document is subject to change.
Vinten reserves the right, without notice, to make changes
in equipment design or performance as progress in
engineering, manufacturing or technology may warrant.