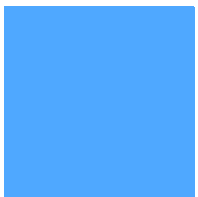
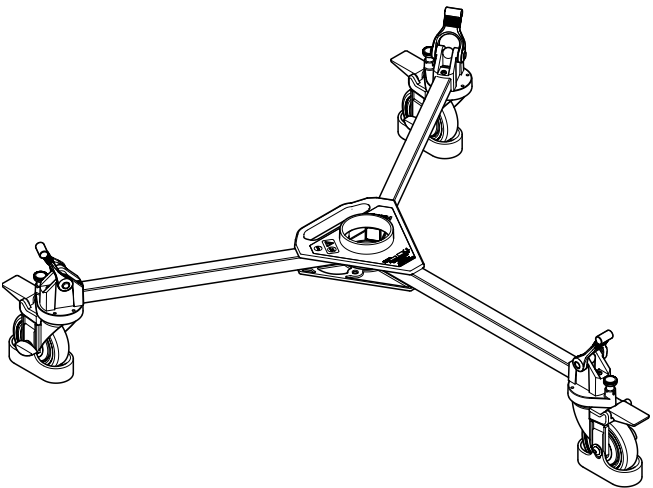


Operators Guide

Vision



Spreaders, Dollies & Skids

Vinten
Camera Control Solutions

Spreaders, Dollies & Skids

Operators Guide

Publication Part No. 3313-8 Issue 1

Copyright © Vinten Broadcast Limited 2002

All rights reserved throughout the world. No part of this document may be stored in a retrieval system, transmitted, copied or reproduced in any way including, but not limited to, photocopy, photograph, magnetic or other record without the prior agreement and permission in writing of
Vinten Broadcast Limited.

Vinten and Vision are registered trademarks of Vinten Broadcast Limited.

Safety - read this first

Warning Symbols in this Operators Guide



Where there is a risk of personal injury, injury to others, or damage to the pedestal or associated equipment, comments appear, highlighted by the word **WARNING!** and supported by the warning triangle symbol.

Further information

For full details on maintenance and spare parts, please refer to Spreaders, Dollies & Skids - Spares and Repairs (Publication Part No. 3313-9) This is obtainable from Vinten Broadcast Limited or your local Vinten distributor. For information on-line, visit our website at

www.vinten.com

Technical data

Spreaders

Type	Weight
3313-3 Lightweight Floor Spreader (Grey)	0.7 kg (1.5 lb)
3363-3 Lightweight Floor Spreader (Black)	0.7 kg (1.5 lb)
3367-3 Heavy Duty Flexible Floor Spreader	1.1 kg (2.4 lb)
3379-3 Baby Legs Spreader	0.5 kg (1.1 lb)

Skids and Dollies

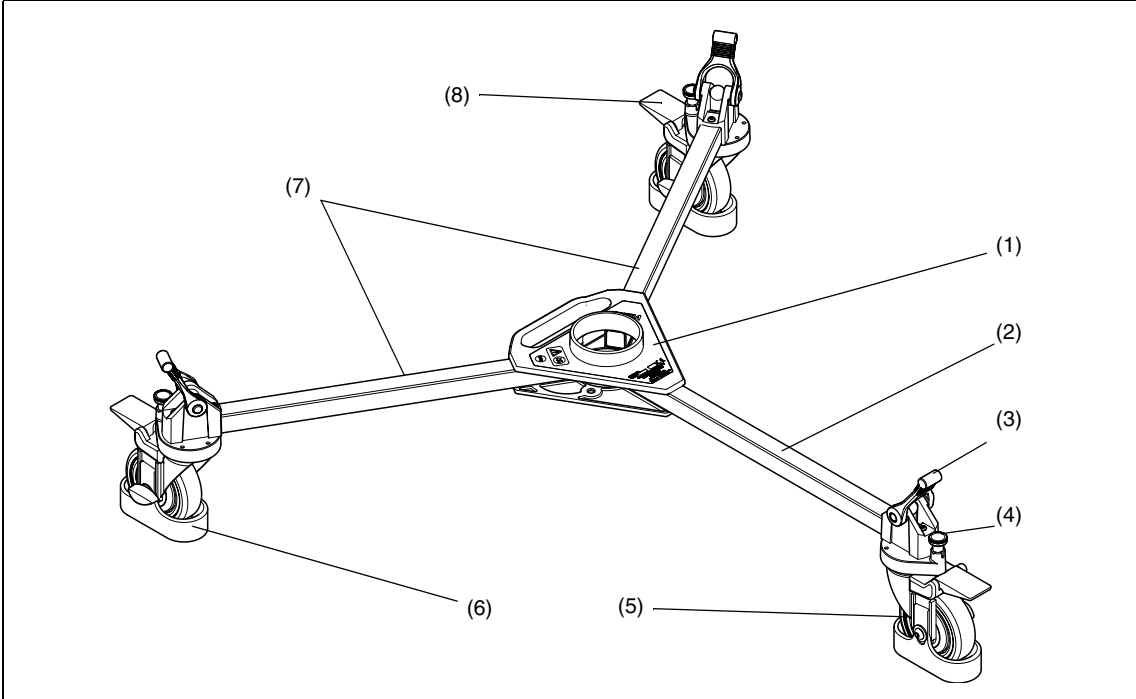
Type	Leg Radius	Castor Diameter	Weight	Recommended Maximum Load	Cable Guards	Track Locks
V3955-0002 ENG (OB) dolly	50 cm (19.7 in.)	12.5 cm (4.9 in.)	5.4 kg (11.9 lb)	40 kg (88.2 lb)	NO	NO
V3955-0001 ENG (Studio) dolly	50 cm (19.7 in.)	10 cm (3.9 in.)	5.8 kg (12.8 lb)	50 kg (110.3 lb)	YES	YES
V3955-0003 ENG (Small) dolly	45 cm (17.7 in.)	12.5 cm (4.9 in.)	5.3 kg (11.7 lb)	50 kg (110.3 lb)	NO	NO
3497-3E EFP (OB) Dolly	52.5 cm (20.7 in.)	12.5 cm (4.9 in.)	7.7 kg (17.0 lb)	110 kg (221 lb)	NO	NO
3497-3G EFP (Studio) Dolly	52.5 cm (20.7 in.)	12.5 cm (4.9 in.)	9.1 kg (20 lb)	110 kg (221 lb)	YES	NO

Contents

	Page
Safety - read this first	3
Further information	3
Technical data	4
Introduction	8
Operation	
Assembling the dolly	9
Brakes	10
Cable guards - studio versions only	10
Dolly movement - ENG studio version only	11
Installing floor spreader	12
Using floor spreader	13
Servicing	
General	14
Cleaning	14
Routine checks	14
Adjustments	14
Parts List	16

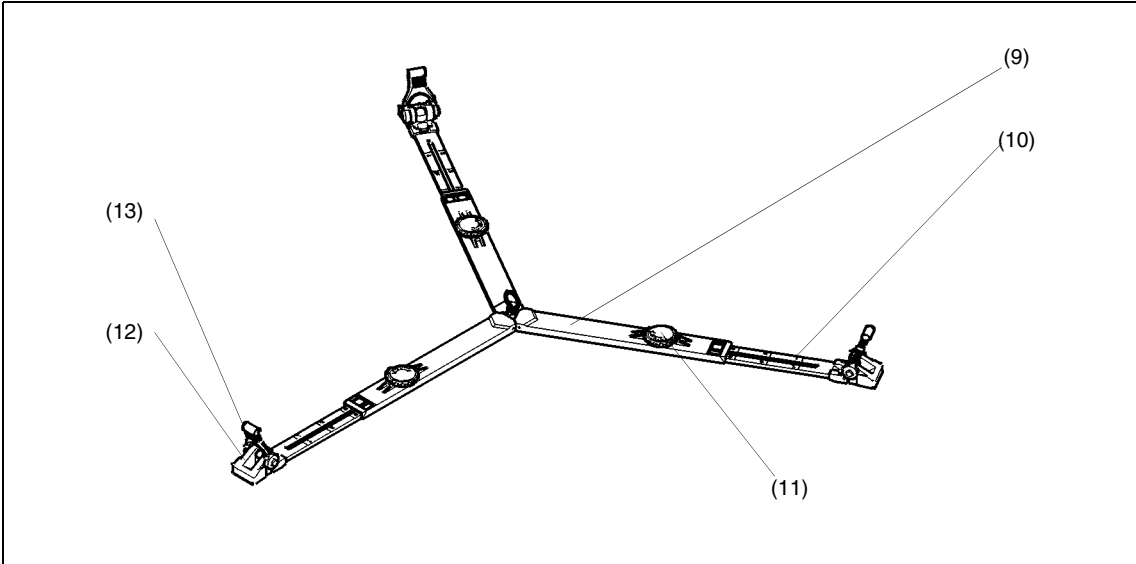
Associated Publication

Spreaders, Dollies and Skids - Spares and Repairs
Publication Part No. 3313-9



Typical Vision Dolly (Studio Version)

- (1) Centre casting
- (2) Fixed leg
- (3) Foot support and strap
- (4) Track knob
- (5) Castor
- (6) Cable guard
- (7) Folding legs
- (8) Brake lever



Typical Vision Spreader

- | | |
|------|----------------------|
| (9) | Leg, outer |
| (10) | Leg, inner |
| (11) | Clamp knob |
| (12) | Foot support |
| (13) | Foot retaining strap |

Introduction

Spreaders and Dollies are available for use with all Vinten Vision tripods.

Floor spreaders are suitable for the full range of Vision single and two-stage tripods excluding the Vinten Baby-Legs tripod which has its own dedicated floor spreader.

Lightweight folding ENG and EFP dollies are available in studio and OB versions. All have fast acting foot-operated wheel brakes and the studio versions are fitted with adjustable cable guards. In addition, the ENG studio dolly is fitted with track locks to provide tricycle steering.

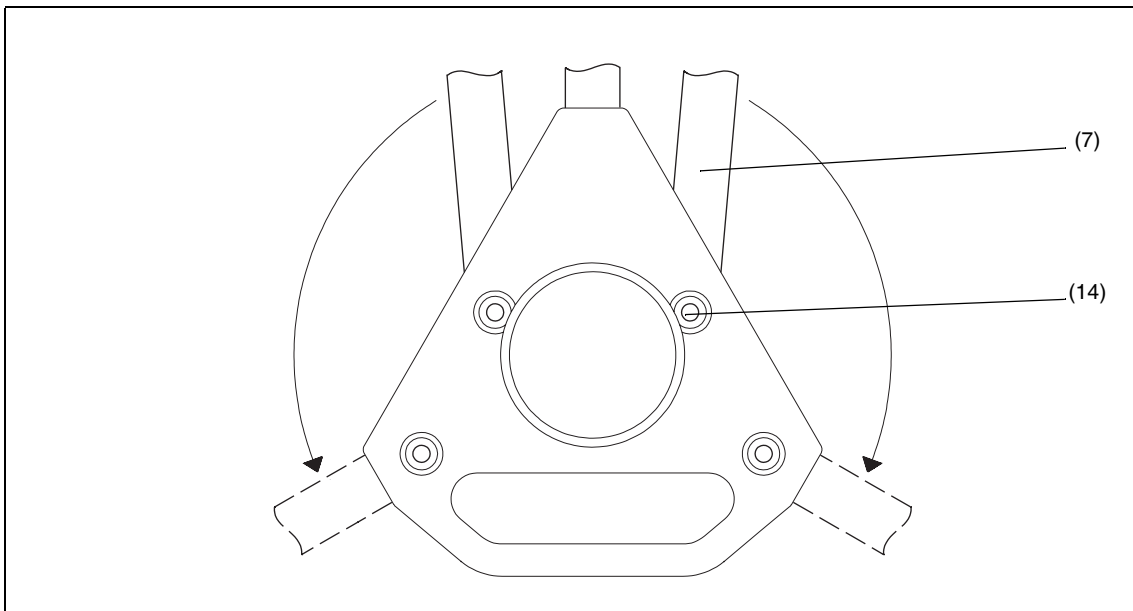
The spreaders and dollies are detailed in the table on [page 4](#).

Operation

Assembling the dolly

Turn the dolly upside-down, depress the leg locking plungers (14) and pull out each folding leg (7) until the plungers lock the legs in the open position.

Set the dolly on the ground on its wheels and apply the wheel brakes.



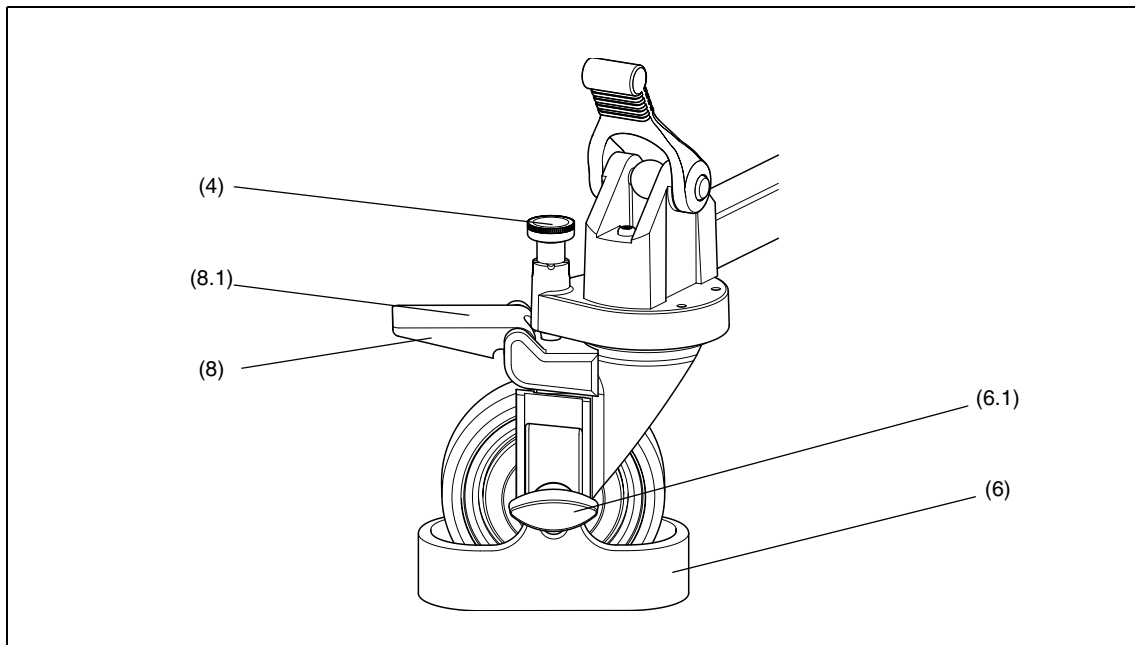
Assembling the dolly

Brakes

Each of the dolly wheels is fitted with a foot operated brake. The brakes are applied by pressing down on the lever (8) situated above the wheel and released by pressing down on the centre 'pop-up' lever (8.1) which is raised when the brake is on.

Cable guards - studio versions only

The cable guards (6) are height adjustable and should be set as required. Adjustment is carried out by slackening the knobs (6.1), setting the cable guard at the required height and re-tightening the knobs.



Brakes and Cable Guards

Dolly movement - ENG studio version only

The wheels on the ENG studio dolly can be locked in the straight-ahead position or set to castor freely. The castor/lock change over is effected by spring-loaded track lock pins (4) on each wheel assembly. The pins on the folding legs (7) have black knobs and the pin on the fixed leg (2) a red knob. To engage or disengage a pin, pull it up against the spring and turn through 90°. The pin will only engage with the wheel when the wheel is properly aligned. This arrangement provides castor, track and steer motion.

Castor motion

For castor motion, disengage all three track locks. The dolly can now be moved freely in any direction.

Tracking motion

For tracking motion, engage all three track locks. The dolly can now track backwards and forwards in a straight line.

Steer motion

For steer motion:

Position the dolly so that the fixed leg (2) (with the red knob) is in the direction of travel. Disengage the red track lock.

Engage the black track locks on the folding legs (7).

With the fixed leg of the dolly facing forwards the dolly can now be moved with a 'steering-type' motion.

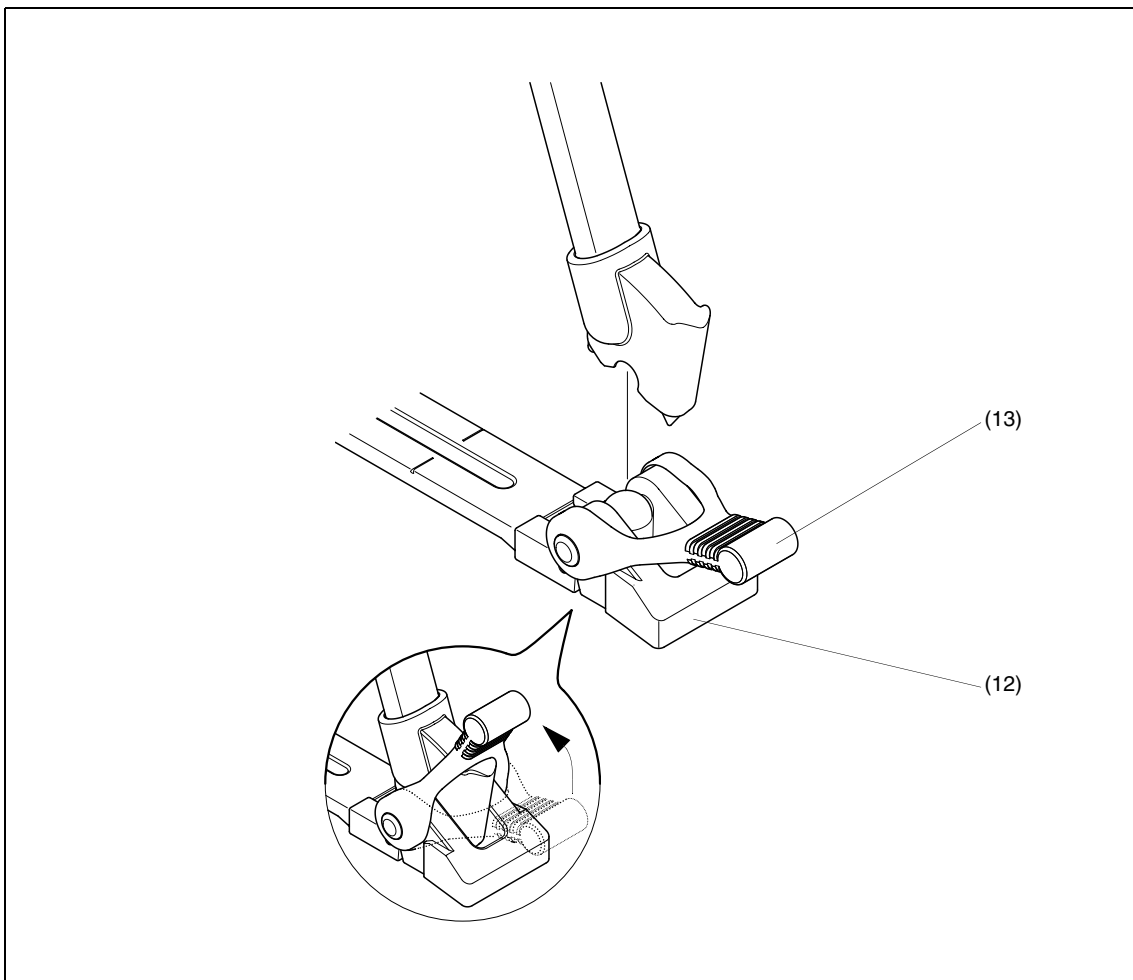
Installing floor spreader

To instal a floor spreader to a tripod proceed as follows:

Unfold legs (9) of spreader and place flat on the ground. Ensure three clamp knobs (11) are engaged.

Lower tripod onto the spreader and locate the feet onto the three foot supports (12).

Secure tripod onto spreader by engaging three foot retaining straps (13) to each foot of the tripod.



Installing Floor Spreader

Using floor spreader

NOTE: Always use the spreader where possible as this increases rigidity of the tripod. Being flexible, the spreader compensates for uneven ground. It can be removed and a skid fitted. At the full extension of the spreader and with all legs fully retracted, the tripod can be used at its lowest operating height. Although tripods can be set lower than this without the spreader, it is NOT recommended as the tripod geometry becomes unstable.

NOTE: Floor spreaders protect floors and carpets as well as preventing the tripod legs sinking into soft ground and should be used at all times. If the floor spreader cannot be used, use Vision carpet feet and Spread-Loc mid-level spreader.

Once the tripod is installed the spreader can be adjusted as follows:

Slacken three clamp knobs (11) on spreader.

Set legs of tripod to required positions and height and ensure they are locked in place. Number markings on the spreaders inner leg (10) can be used to position the tripods feet equidistance apart.

Once the tripod is positioned correctly tighten three clamp knobs. The spreader does not have to be removed when collapsing the tripod.

Servicing

General

Vision products are robustly made to high engineering standards and little attention is required to maintain serviceability save regular cleaning. Attention to the following points will ensure a long and useful service life with minimum need for repair.

Cleaning

During indoor use, the only cleaning required should be a regular wipe over with a lint-free cloth. Dirt accumulated during storage may be removed using a semi-stiff brush.

All dolly parts are weatherproof. However, use out-of-doors under adverse conditions will require special attention. Salt spray should be washed off with fresh water at the earliest opportunity. Sand and dirt acts as an abrasive and should be removed using a semi-stiff brush or vacuum cleaner

NOTE: Use only detergent-based cleaners. DO NOT use solvent- or oil-based cleaners, abrasives or wire brushes to remove accumulations of dirt, as these damage the protective surfaces.

Routine checks

Check the following during normal use:

- Check for ageing and cracking of the rubber strut securing straps and renew if necessary.

- On studio dollies, check the tracking

Adjustments

Adjustments to the tracking of studio dollies may become necessary after considerable use. Check the tracking as follows:

With the track locks engaged and a payload fitted, the dolly should track in a straight line over a distance of 3.6 m (12 feet) with deviation not exceeding 5 cm (2 in.). If this cannot be achieved, the wheels should be re-aligned. When re-aligning the wheels, start by adjusting the wheel with the red locking knob on the fixed leg. This will often correct any alignment problems.

Adjusting the tracking of the Vision studio dolly (V3955-0001)

To re-align the dolly wheels:

- Remove the tripod or pedestal from the dolly.

- Engage the track lock (4) on each castor.

- Remove two screws (6.1) from the foot support (6.2) on the fixed leg and remove the foot support.

- Using special wheel nut spanner (Part No. 3319-900SP) remove nut (6.3).

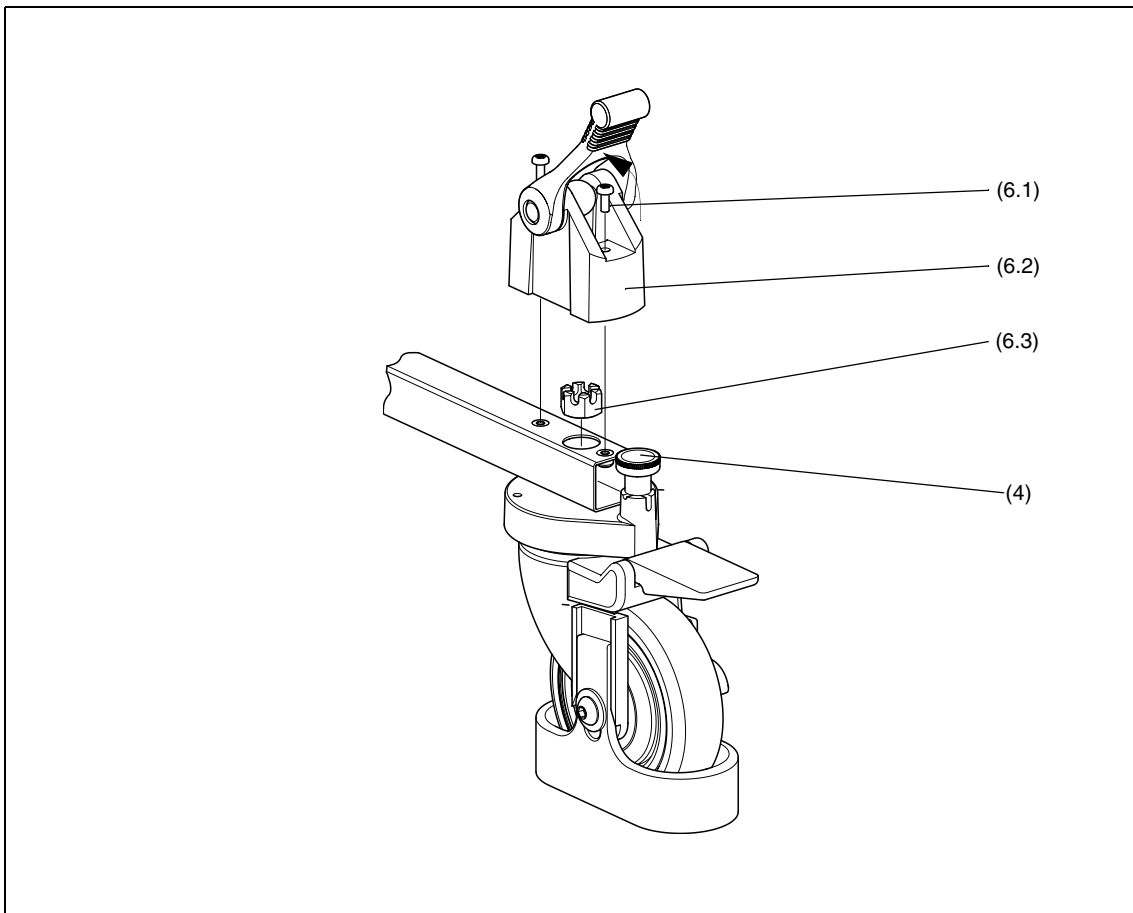
- Apply Loctite 242 to the nut, re-install and tighten lightly.

Align the wheel on the fixed leg so that it runs parallel to the leg.

Using a suitable straight line on the studio floor, check that over a distance of 3.6 m (12 feet) the deviation does not exceed 5 cm (2 in.). Re-adjust the wheel until this is achieved. If it cannot be achieved, the wheels on the other two legs should be re-aligned.

Once the wheels have been correctly aligned, tighten nuts (6.3).

Install foot support (6.2) on each leg and secure with two screws (6.1).



Adjusting the tracking

Parts List

The following lists include main assemblies, user-replaceable spare parts and optional accessories. For further information regarding repair or spare parts, please contact Vinten Broadcast Ltd or your local distributor.

For information on-line, visit our website at

www.vinten.com

Spreaders

Lightweight Floor Spreader (Grey)	3313-3
Lightweight Floor Spreader (Black)	3363-3
Heavy Duty Flexible Floor Spreader	3367-3
Baby Legs Spreader	3379-3

Dollies

ENG (OB) dolly	V3955-0002
ENG (Studio) dolly	V3955-0001
ENG (OB) dolly - small	V3955-0003
EFP (OB) Dolly	3497-3E
EFP (Studio) Dolly	3497-3G