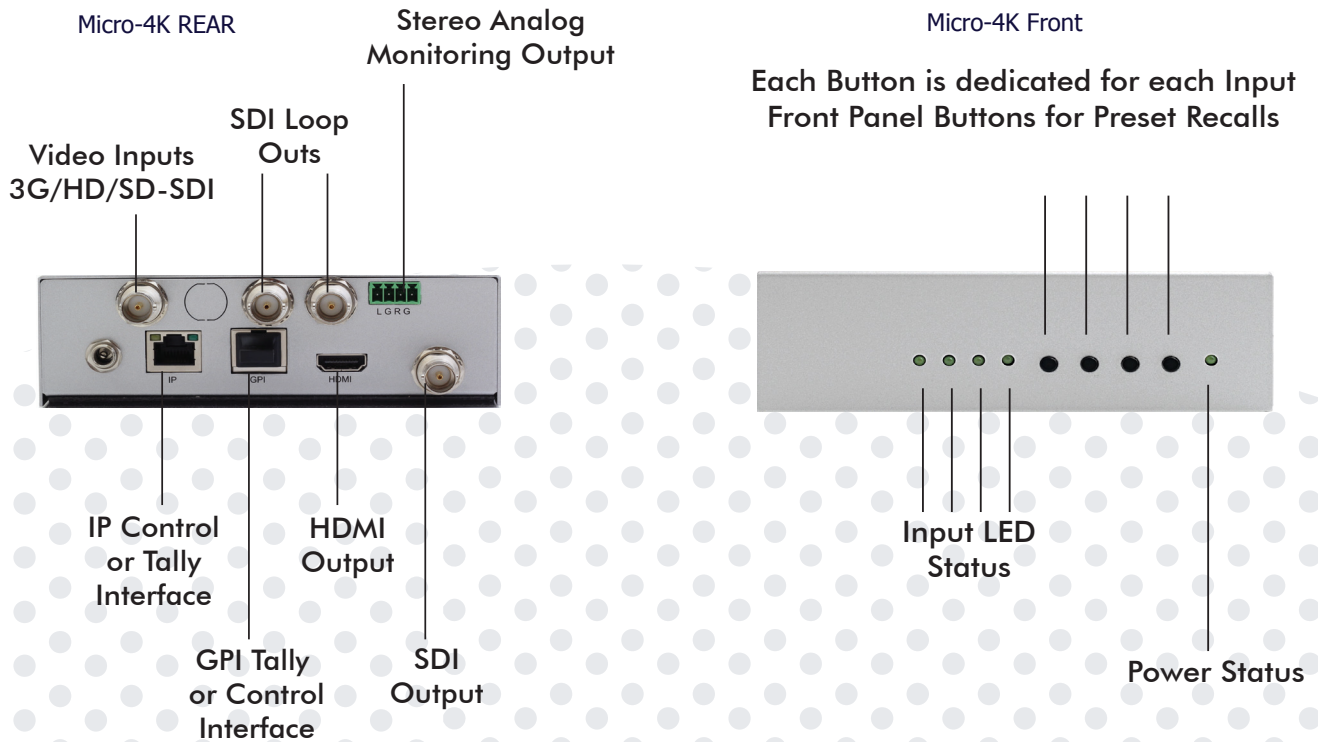


- Supports 4x 3G-SDI Inputs
- HDMI and SDI output with embedded audio for monitoring
- IP control
 - Supports 8 embedded audio
 - Stereo analog audio output
- Safe Area indicators
- Dynamic Tally via TSL (IP) or GPI
- Front panel buttons to recall presets

Micro-4K

UHD/4K to SDI Down Converter



Micro-4K			
VIDEO INPUTS	4 x 3G-SDI	OUTPUTS	1 x HDMI, 1 SDI
TOTAL WINDOWS	1	HDMI	800x480 to 1920x1200 (1080p) 50/60 Hz
SERIAL DIGITAL	SMPTE 424M, 292M, 259M	SDI	Matching HDMI output resolution up to 3G
EQUALIZATION	120m at 2.97 Gbps, 140m at 1.48 Gbps, 400m at 270 Mbps with Belden 1694A	ON SCREEN DISPLAY	Border, Label, Tally, Safe Area Indicators, Alarms, and Audio Meters
RETURN LOSS	> 15db up to 1.485 Gbps < > 10db up to 3G	GPI	8 for Tally, preset recall, or ASCII
EMBEDDED AUDIO	SMPTE-272M-A	IP	100 BaseTx, TSL, AXP
ELECTRICAL	12 W, 90-250V 50/60Hz	EMI/RFI	Complies with FCC Part 15, Class A, CE, EU, EMC, C-tick
POWER	5 DC 3A	DIMENSIONS	171 mm W x 120 mm D x 44.45 mm H
MOUNT	Magnetic		

- Supports 4 3G-SDI Inputs
- Displayport 1.2 Output
- Auto detect inputs
- Plug and Play

Micro-4K-DP

UHD/4K to Displayport Converter

Micro-4K-DP REAR



SDI 1 SDI 2 SDI 3 SDI 4

Micro-4K-DP Front



Status LED

Displayport 1.2 Output

12V DC

Micro4K-DP			
Video Inputs	4 x 3G-SDI	Outputs	Displayport 1.2
Total Windows	1	On Screen Display	N/A
Serial Digital	SMPTE 424M, 292M, 259M		
Equalization	120m at 2.97 Gbps, 140m at 1.48 Gbps, 400m at 270 Mbps with Belden 1694A	EMI/RFI	Complies with FCC Part 15, Class A, CE, EU, EMC, C-tick
Return Loss	> 15db up to 1.485 Gbps < > 10db up to 3G	Power	12 DC 1.2A
Embedded Audio	SMPTE-272M-A	Mount	Magnetic
Electrical	12 W, 90-250V 50/60Hz	Size	171 mm W x 120 mm D x 44.45 mm H