

APPROVED



PowerTap Kit

Installation Instructions

Department	Approvals	Date
ENG Mech.	C. v VLIERDEN	12/30/14
ENG Elec.	M. MRAZIK	12/30/14
Marketing	D. GALLI	12/15/14

TABLE OF CONTENTS

APPROVED

1	IMPORTANT
	WHAT'S INCLUDED
2-3	INSTALLATION INSTRUCTIONS

IMPORTANT

APPROVED

READ AND UNDERSTAND THIS MANUAL BEFORE OPERATION

The Anton/Bauer PowerTap® Connector allows the direction of the PowerTap Cable to exit from the opposite side of the Connector Housing, thus providing a more convenient method by which to dress the PowerTap Cable on specific applications.

IMPORTANT: PLEASE TAKE NOTE OF CABLE POLARITY

Reversing the PowerTap Cable exit location (per instructions contained in this document) will also reverse the polarity of the corresponding connector or un-terminated wires. Equipment damage may be caused if proper cable polarity is not observed. Use the polarity markings located on the PowerTap Connector Housing to verify correct equipment cable polarity.

Example: XLR-4 Connector: Pin 1 (-) negative to (+) positive polarity, Pin 4 (+) positive to (-) negative polarity, OR (+) positive flagged wire to (-) negative polarity

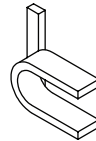
Contact Anton/Bauer Field Support at (203) 925-4991 or support@antonbauer.com with any questions regarding this product.



WHAT'S INCLUDED

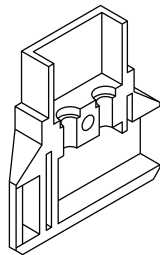
Your purchase of the PowerTap Kit will include the following:

P-TAP BLANK
QTY 1



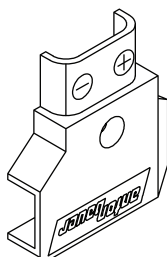
STRAIN RELIEF
QTY 1

P-TAP BACK
QTY 1

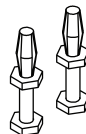


2-56 PAN HEAD SCREW
QTY 1

P-TAP FRONT
QTY 1



NUT 2-56
QTY 1



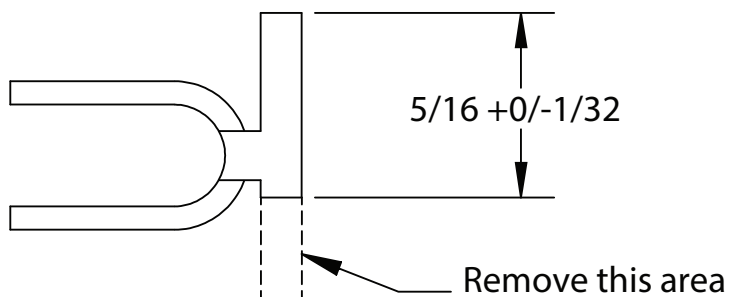
BANANA PIN
QTY 2

INSTALLATION INSTRUCTIONS

APPROVED

Step 1

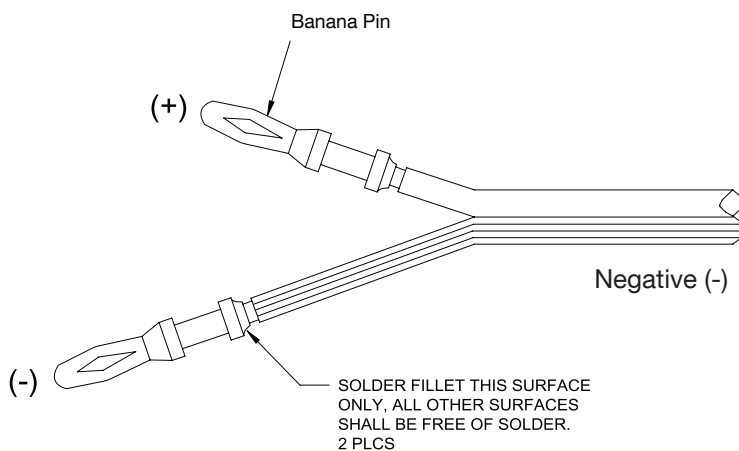
Remove the end of the strain relief using a pair of heavy wire cutters. Note: the side being removed will depend on which end of the PowerTap the cable will exit.



Step 2

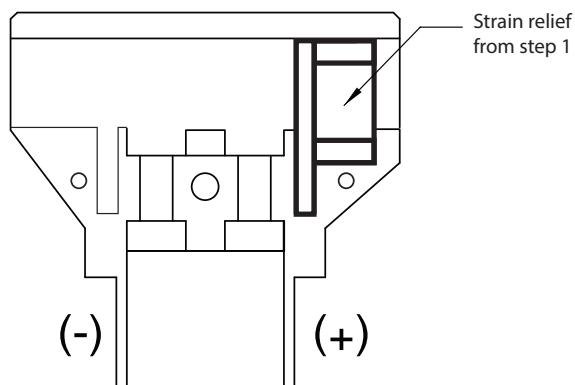
If using a new cable, solder the (2) included Banana Pins onto the cable. For proper installation of the cable one end should be cut approximately 3/4 of an inch shorter than the other. In our example the (+) positive wire is the shorter of the two.

Note: excess solder on the sides of the Banana Pins will obstruct proper closing of the housing. Ensure solder fillet is only on the top.



Step 3

Place the strain relief into the PowerTap Front. The "U" portion must face the outside of the PowerTap Front as shown.

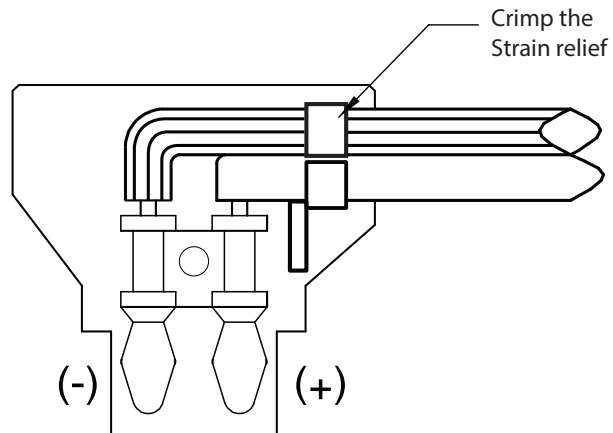


INSTALLATION INSTRUCTIONS

APPROVED

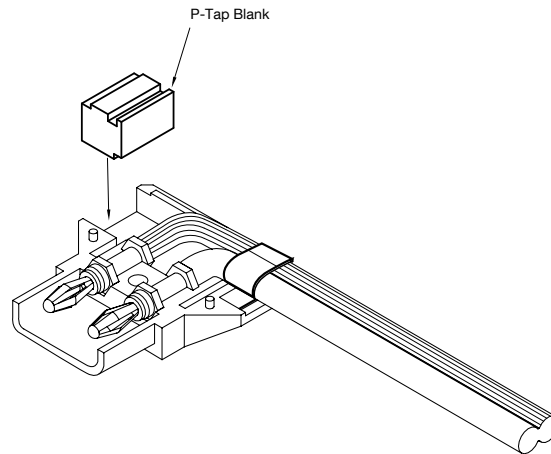
Step 4

Place the cable assembly from Step 2 into the PowerTap Front, on top of the strain relief. Ensure that the Banana pins are seated correctly. Crimp the strain relief onto the cable using a pair of pliers, or similar.



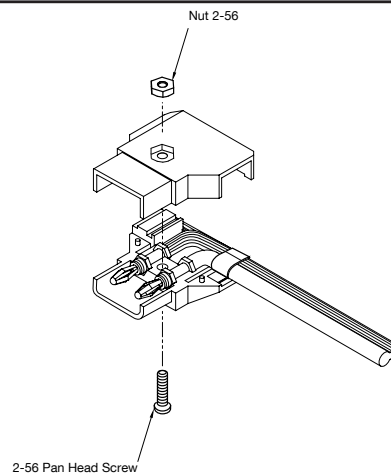
Step 5

Install the P-Tap Blank into the PowerTap Front as shown. Note the orientation of the lip.



Step 6

Install the PowerTap Back onto the assembly. Insert the 2-56 Nut into the hexagon hole. Insert the 2-56 Pan Head Screw into the opposite side and tighten.



APPROVED

The following are trademarks of Anton/Bauer:

Anton/Bauer, Anton/Bauer logo and parallelogram design, Aspekt, Automatique, DataTap, DIONIC, ElipZ, ElightZ, EgripZ, EssentialZ, Gold Mount, HubZ, HyTRON, Impac, InterActive and design, LifeSaver, Logic Series, Logic Series logo, MAXX man logo design, Nexus, PowerStrap, PowerTap, Probe, Proformer, ProPac, RealTime, Satellight, Snap-On, Stasis, Stasis Flex, Tandem, TrimPac, Ultrakit, Ultralight, "The power behind the best cameras capturing the best images in the world", "The quality standard of the video industry", "One World. One Smart Choice.", "The worldwide standard," and "There should always be choices. It makes it easier to recognize the best."

Lexan is a registered trademark of G.E. Company Corp.

Cordura is a registered trademark of E.I. duPont de Nemours

Due to continuing product development, all specifications and prices are subject to change without prior notification.

Anton/Bauer
World Headquarters
14 Progress Drive, Shelton,
Connecticut 06484 USA
(203) 929-1100
(800) 541-1667
Fax (203) 929-9935

servicesupport@vitecgroup.com

Anton/Bauer Europe, B.V.
Eurode Business Center,
Eurode-Park 1-2, 6461KB
Kerkrade,
The Netherlands
(+31) 45 5639220
Fax (+31) 45 5639222

esupport@vitecgroup.com

www.antonbauer.com

Anton/Bauer - Singapore Office
6 New Industrial Road, # 02-02
Hoe Huat Ind. Bld., Singapore
536199
(+65) 62975784
Fax (+65) 62825235

