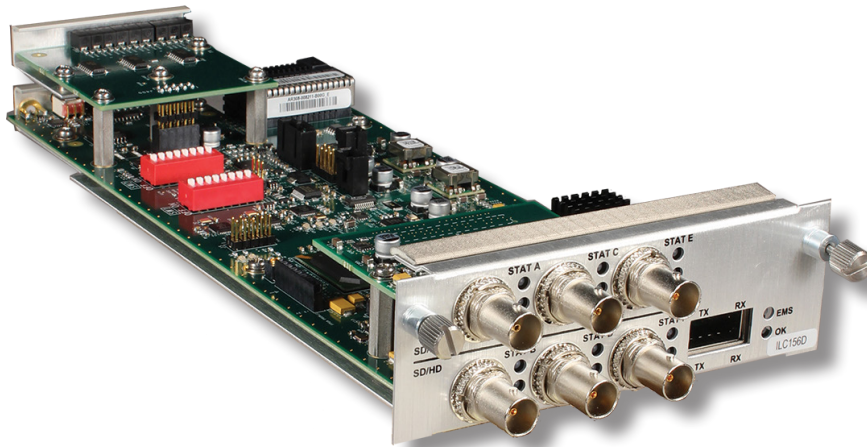




InfinityLink ILC156

10G 3G/HD/SD-SDI, ASI 6 Ch Mux/Demux



The ILC156 is an innovative, six channel TDM multiplexer for transporting uncompressed and compressed video over dark fiber or managed optical networks such as ROADM and OTN. Users can mix and match SD-SDI, ASI, HD-SDI, or 3G-SDI services into a single 10.7 Gb/s optical transport stream.

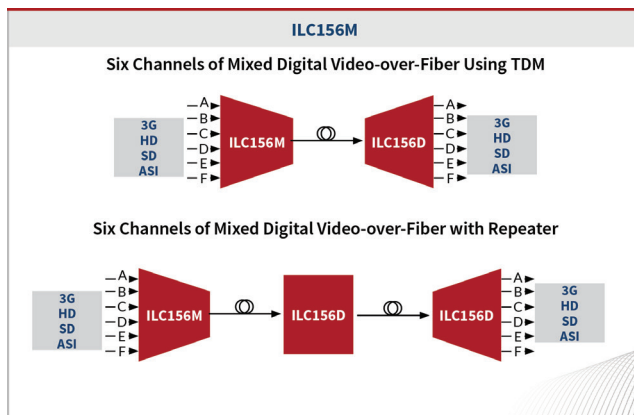
The ILC156 is a cost-effective and power efficient module for transporting up to six HD-SDI or three 3G-SDI digital video services over a single optical wavelength, saving fiber cost and simplifying network design and deployment. Using time division multiplexing (TDM), each channel is assigned a fixed time-slot, eliminating complex configurations. Six independent, mixed format video signals are aggregated to a single wavelength and two time slots can be combined to carry 3G-SDI.

The ILC156 supports links in excess of 80 km using industry standard, hot swappable 10G XFP transceivers in WDM, CWDM, and DWDM wavelengths. Installing a ILC156D as a repeater

between the link source and destination extends the range of a link. Any ILC156D can repeat the signal from an ILC156M while simultaneously receiving the video signals. The ILC156D can also repeat one direction of 10GigE traffic.

Up to 240 uncompressed HD channels are possible over a single fiber. For additional flexibility, the ILC156 can also be used as a transport aggregator for Artel's ILC274 four-channel TDM module.

With its format flexibility, easy configuration, and competitive price, the ILC156 is an ideal solution for fiber constrained, multi-service video transport applications.



FEATURES

6 Channel TDM Multiplexer

Advanced Forward Error Correction (FEC) insures error free video

Single wavelength optical transport for:

- Six independent HD-SDI, SD-SDI, or DVB-ASI channels
- Three independent 3G-SDI channels
- Combinations of both

Formats supported

- 2.967 Gb/s 3G-SDI (SMPTE 424M)
- 1.483516 Gb/s HD-SDI (SMPTE 292M)
- 270 Mb/s
 - SD-SDI (SMPTE 259M-C, ITU 656)
 - SDTI (SMPTE 305M)
 - DVB-ASI
- Other 270 Mb/s, 1.485 Gb/s, and 2.97 Gb/s services

Externally accessible 10.7 Gb/s XFP transceiver optics

- Optical budget to 24dB
- WDM (1310 nm, 1550 nm)
- CWDM ITU G.694.2
- DWDM ITU G.694.1

Simple and easy configuration

- On-board switches
- InfinityLink Manager

Multiple monitoring options

- Switch selectable front panel monitor of individual channels (HD-BNC)
- Front and rear panel status LEDs
 - Loss of video (individual channels)
 - Loss of optical input
 - Laser (XFP) fail

Repeater Operation

- ILC156D can be used as an Optical to Optical repeater
- Compensates for long or lossy fiber routes
- Repeats ILC156M 10.7 Gb/s signals
- Repeats 10 Gig Ethernet (10.3125 Gb/s)

SPECIFICATIONS

Environmental

Ambient operating temperature	0 to 50°C
Ambient storage temperature	-40 to 80°C
Relative humidity	10 to 95% (non-condensing)
Power dissipation	< 21 Watts (ILC156D)
	< 15 Watts (ILC156M)

Physical

Dimensions	1.6" x 5" x 10.8"
	2 slot in IL6000 chassis

Optical Interface

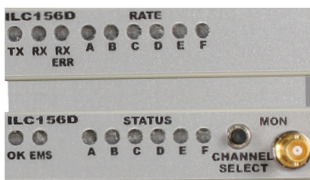
Artel Video XFP	See XFP Specifications
-----------------	------------------------

Electrical Interface

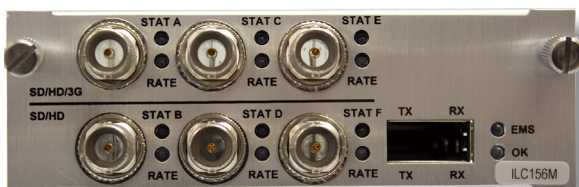
Signal Formats	
• 2.97 Gb/s	- 3G-SDI (SMPTE 424M)
• 1.483516 Gb/s	- HD-SDI (SMPTE 292M)
• 270 Mb/s	- SD-SDI (SMPTE 259M-C, ITU 656)
	- SDTI (SMPTE 305M)
	- DVB-ASI
Signal Polarity	Non inverting
Channels	Six channels ASI, SD/HD-SDI
	Three channels of 3G-SDI
Connectors	
Input (ILC156M)	Six BNC 75 Ohm
Output (ILC156D)	Six BNC 75 Ohm
Monitor	One HD-BNC 75 Ohm
Return Loss	>15 dB, 5-1485 MHz
	>10 dB, 1486-2967 MHz
Cable Equalization for Belden 1694A type cable:	0 to 250 meters (270 Mb/s)
	0 to 100 meters (1.483516 Gb/s)
	0 to 100 meters (2.97 Gb/s)

Regulatory Conformance

Compliance:	CSA 60950, EN60950, EN55022 FCC Part 15 (Class A), CISPR 22
-------------	---



ILC156D front panel monitoring and status display



ILC156M rear panel video I/O, XFP cage and status LEDs

AR206-006201-B00_B



UPDATED 11/16/2017

All specifications subject to change without notice. ©2017



Schedule
Contract GS-03F-016CA

Ordering Information

Model	Description	Part #
ILC156M	10G 3G/HD/SD-SDI, ASI 6 Ch Mux	390-006200-00
ILC156D	10G 3G/HD/SD-SDI, ASI 6 Ch Demux	390-006210-00

XFP Options See SFP/SFP+/XFP compatibility chart

Monitor Cable

Model	Description	Part #
DL100HDMC-72	Monitor Cable, HD-BNC to BNC, 72" long	396-001010-72

Sales



T: +1 978-263-5775
sales@artel.com
customer@artel.com
www.artel.com