

AV4x1P
AV8x1P
AV8x1A

Audio/Video Switchers

Manual Version 2.01



BURST ELECTRONICS INC

ALBUQUERQUE, NM 87109 USA

(505) 898-1455 VOICE

(505) 890-8926 TECH SUPPORT

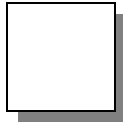
(505) 898-0159 FAX

www.burstelectronics.com



Made in USA

Hardware, software and manual copyright by Burst Electronics. All rights reserved. No part of this publication may be reproduced or distributed in any form or by any means without the written permission of Burst Electronics.



Passive and Active Audio/Video Switches

This manual covers the operation of the Burst Electronics Models AV4x1P, AV8x1P, and AV8x1A. The AV4x1P is a 4 input passive audio/video switcher. The AV8x1P is an 8 input passive audio/video switcher. The AV8x1A is an 8 input passive audio/video switcher with an amplified audio output for use with stereo headphones, mini monitor speakers, etc. Switching for all of these products is accomplished by the use of a mechanical pushbutton switch. Depress the appropriate pushbutton switch to select the A/V input. With the exception of the AV8x1A, all video connectors are standard BNC type and all audio connectors are standard RCA type. The AV8x1A uses BNC and RCA connectors, but also includes a 3.5mm stereo headphone jack and volume control for the headphone output.

AV4x1P and AV8x1P

The video and audio selection is done by pressing the appropriate pushbutton switch. Both audio and video selection are switched in an audio follow video fashion.

Because of the passive design, the input and output function may be interchanged. Example, instead of four (or eight) inputs to one video output, these units may be used for one A/V input (connected to the Output connector) to be routed

to any of the A/V outputs (connected to the inputs).

AV8x1A with Audio Monitor Amp

This product operates the same as the AV4x1P and AV8x1P with the exception of the headphone jack output and the need for 12Vdc (used to power the headphone audio amplifier). This connector allows the user to monitor the audio by the use of a standard 3.5mm plug stereo headphone (not included), also a control knob is installed on the front panel to allow the user to adjust the volume level to the headphones. This adjustment does not affect the volume of the RCA audio outputs, it is just to allow a user to monitor the audio passing through the AV8x1A.

Input Termination

The unselected video sources are terminated into 75 Ohm 1% loads. The unselected audio sources are terminated into zero Ohm loads. This keeps the audio crosstalk to a minimum. If termination is not required, then the resistors may be clipped from the printed circuit board. This will not compromise the factory warranty.

Removing the Cover

AV4x1P: Remove the front panel by removing both screws. Slide the top case off of the unit.
AV8x1P and AV8x1A: Remove one of the side panels by removing all four screws. Slide the bottom panel out of the enclosure.

Removing Termination Resistors

AV4x1P: For Audio; clip zero Ohm resistor that corresponds with the audio channel that must be unterminated.

For Video; clip 75 Ohm 1% resistor that corresponds to the video channel that must be unterminated.

AV8x1P(A): For Audio; clip zero Ohm resistor that corresponds with the audio channel that must be unterminated.

For Video; clip 75 Ohm 1% resistor that corresponds to the video channel that must be unterminated.

Rack Mounts

Each of these switchers may be rack mounted.

| Model | Rack Kit | Remarks |
|-----------|----------|-----------------------------|
| AV4x1P | RM-3 | Holds up to 3 units |
| | RM-334 | Holds up to 2 units |
| | RM-344 | Holds 1 unit |
| AV8x1P(A) | RM-2-1 | Mounts 1 unit |
| | RM-2-2 | Mounts 2 units side by side |

Specifications

Video Connectors: BNC

Audio Connectors:

AV4x1P: RCA

AV8x1P: RCA

AV8x1A: RCA and 3.5mm stereo jack

Power: 12Vdc (AV8x1A only)

Size:

AV4x1P: 5.6W x 1.5H x 7.3D (inches)

AV8x1P: 8.3W x 1.75H x 6D (inches)

AV8x1A: 8.3W x 1.75H x 6D (inches)

Terminations:

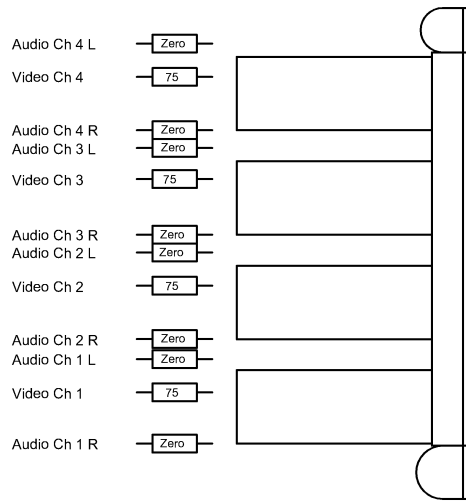
Video: 75 Ohm 1%

Audio: 0 Ohm (wire jumper)

Termination Resistors Color Code

Video: 75 Ohm 1% (Violet, Green, Black, Gold)

Audio: Zero Ohm (Black Band or Bare Wire)



Top View

| | | |
|-----|---------|------------|
| | | |
| | | |
| | | |
| | | |
| | | |
| C | 1.20.03 | Color Code |
| B | 8-10-98 | |
| A | 6-9-98 | Release |
| Rev | Date | ECO |

| | | | | | |
|----------|--------------|----------|-----------------------|----|---|
| Title | | | Termination Resistors | | |
| Size | Number | Rev | | | |
| A | AV4x1P | C | | | |
| Date | 1.20.03 | Drawn by | WJK | | |
| Filename | AV4x1P_C.FIG | Sheet | 1 | of | 1 |

