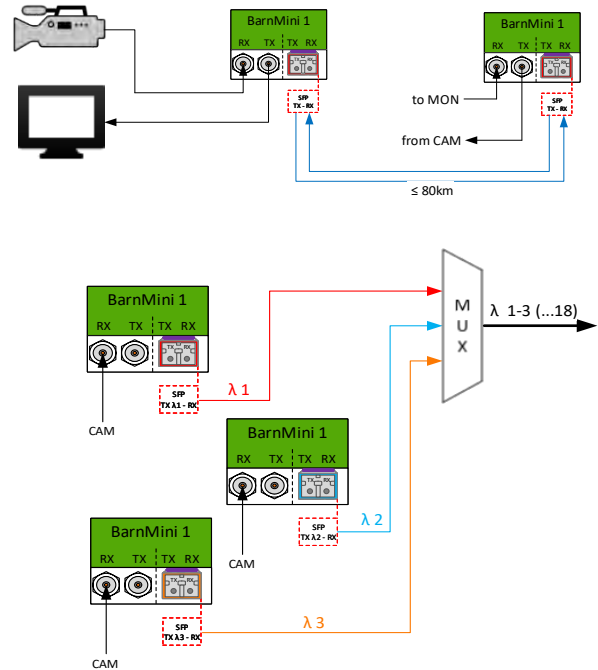




BarnMini-01 - Coaxial to SFP Converter

This is the most popular BarnMini. It gives a unique platform to take in most video electrical signals and convert it to optical. The BarnMini-01 handles also SDTI signals from e.g. EVS. It comes with a second BNC that could be used for monitoring and other redundancy applications. Any optical SFPs can be used and even we can house a HDMI SFP for converting to HDMI or even coming in HDMI and convert back to electrical SDI. All outputs are re-clocked. BarnMini-01, can rightly claim to be the most flexible electrical to optical converter in the market.



Technical Specifications

<p>BNC ports</p> <ul style="list-style-type: none"> • 1x BNC port 75Ω TX • 1x BNC port 75Ω RX • SMPTE 259M, 292M, 372M, 424M, DVB-ASI, AES10 (MADI), AES3 • Automatic multirate reclocking of outputs 270Mbit/s - 3Gbit/s • Automatic cable EQ (Belden 1694A) 270Mbit/s - 250m, 1,5Gbit/s - 140m, 3Gbit/s - 80m 	<p>Power Supply</p> <ul style="list-style-type: none"> • 12-24V DC power supply included • redundant power supply available with BTF-Mini-16 <p>Physical Size</p> <ul style="list-style-type: none"> • 92mm x 98mm x 22mm • 200g <p>Model Name</p> <ul style="list-style-type: none"> • BM-01
<p>SFP port</p> <ul style="list-style-type: none"> • Port for Small Form-Factor Pluggable (SFP), supports MSA-compliant (multi source agreement) transceivers • Suitable for optical transceivers (singlemode/multimode), SFP media converters (HDMI, SDI, CVBS etc.) • SMPTE 259M, 292M, 372M, 424M, 372M, DVB-ASI, AES10 (MADI), AES3 • Hot pluggable/swappable 	<p>SFP ↔ BNC</p>