

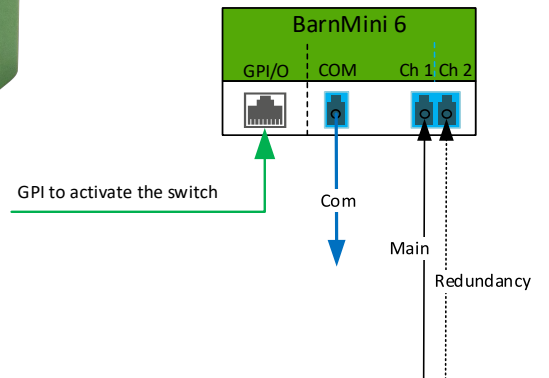


BarnMini-06 - Optical Change-Over

The BarnMini-06 is the optical changeover switch, which is very easy to integrate with the GPO devices that are found in many broadcast applications. A great advantage is the ability to provide its own power needed to drive the switch either as a stand alone or in the BarnMini frame with common PSU. The BarnMini-06 is often used in conjunction with the BarnMini-05. This is a great combination to create advanced signal redundancy solutions.



**example*



Technical Specifications

Optical Ports <ul style="list-style-type: none"> • LC/PC connectors • Operating Wavelength 850-1620nm • Fiber type Single Mode • Insertion Loss <1,2dB • Wavelength dependant loss <0,3dB • Polarisation dependant loss 0,05dB • Crosstalk >35dB • Return loss >35dB 	GPI port <ul style="list-style-type: none"> • RJ45 connector with 4x GPI wired parallel, non latching
Optical Switch <ul style="list-style-type: none"> • Switching time <10ms (typically 4ms) • Max. switching cycles 10.000 	Power Supply <ul style="list-style-type: none"> • 12-24V DC power supply included • redundant power supply available with BTF-Mini-16
	Physical Size <ul style="list-style-type: none"> • 92mm x 98mm x 22mm • 200g
	Model Name <ul style="list-style-type: none"> • BM-06

