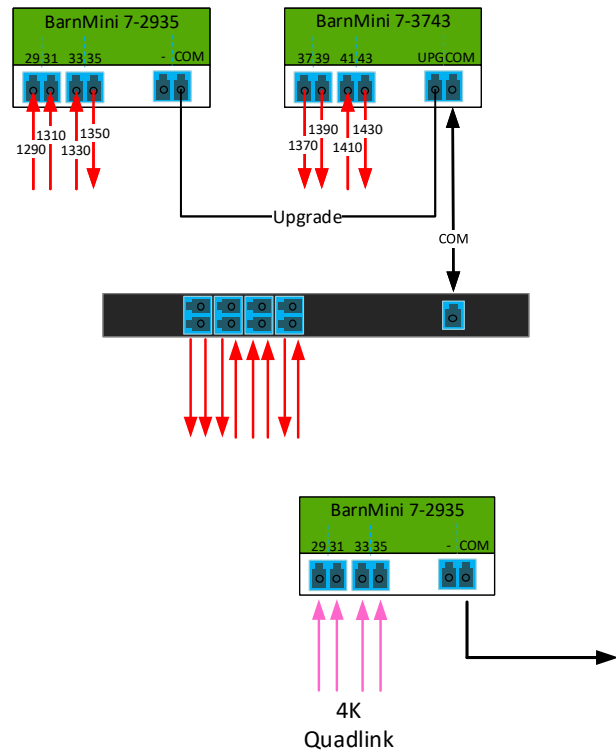
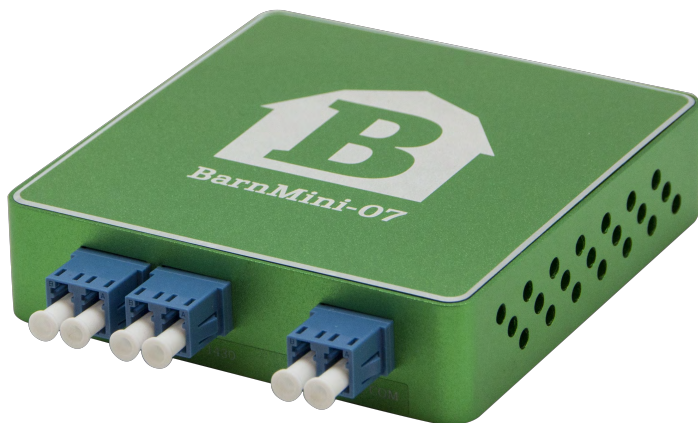




BarnMini-07 - Optical Multiplexer

The BarnMini-07 is a 4-channel CWDM mux that can be used e.g. for transportation of 3G-quad over different mediums. This is a compact, efficient and affordable mux. It fits into the BarnMini BTF-Mini-16 frame. The BarnMini-07 saves you both rack space and money. For growing up to 8 channels, we can offer optional upgrade.



Technical Specifications

| Optical Ports |
|---|
| • LC/PC connectors |
| • Center Wavelength BM-07 2935 1290, 1310, 1330, 1350nm |
| • Center Wavelength BM-07 3743 1370, 1390, 1410, 1430nm |
| • Channel clear passband +/- 6,5nm |
| • Insertion Loss <1,2dB |
| • Passband ripple <0,5 dB |
| • Adjacent Channel Isolation >30dB |
| • Non-Adjacent Channel Isolation >45dB |
| • Polarisation dependant loss 0,02dB |
| • Directivity >50dB |
| • Return loss >45dB |
| • Polarisation Mode Dispersion <0,2ps |
| Physical Size |
| • 92mm x 98mm x 22mm |
| • 200g |
| Model Name |
| • BM-07 2935 / BM-07 3743 |

