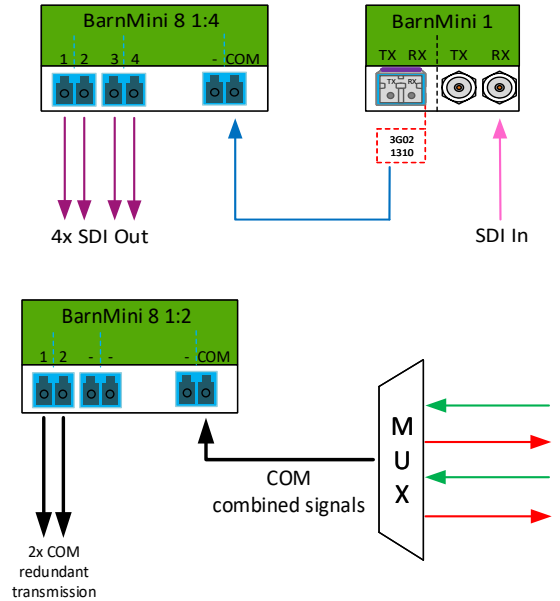




BarnMini-08 - Optical Splitter

This BarnMini unit comes in two optical splitter versions; either as BarnMini-08-1:2 or BarnMini-08-1:4. It is a great supplement in smaller BarnMini systems, but can also be used in more advanced BarnOne configurations. As with any of our other BarnMini modules; the BarnMini-08 has rock solid mechanics and technology and it can work in harsh environments.



Technical Specifications

Optical Ports

- LC/PC connectors
- Insertion Loss <1,2dB + 3 or 6, see figures
- Adjacent Channel Isolation >35dB
- Non-Adjacent Channel Isolation >45dB
- Polarisation dependant loss <0,10dB

Physical Size

- 92mm x 98mm x 22mm
- 200g

Model Name

- BM-08 1:2 / BM-08 1:4

