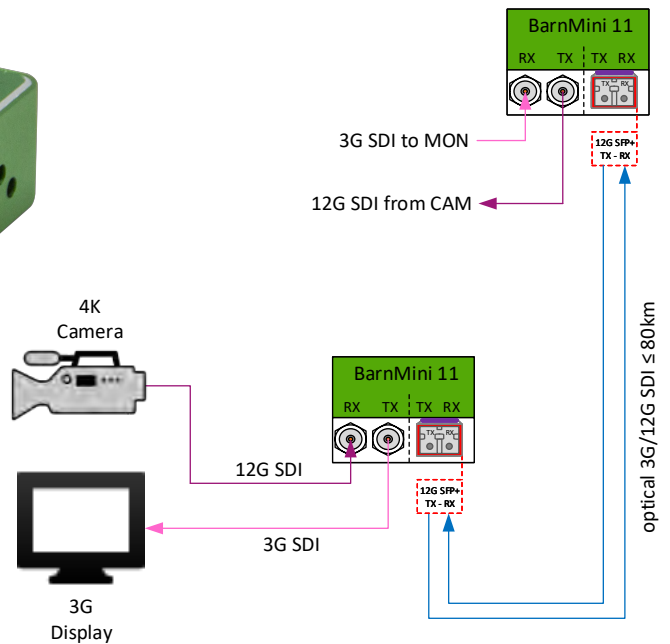


BarnMini-11 - Coaxial to SFP/SFP+ Converter

12G



The BarnMini-11 is the big brother to the popular BarnMini-01 solution that delivers simple and reliable point-to-point digital extension. BarnMini-11 offers support for up to 12Gbit/s bandwidth. It can handle 12G, 10G, 6G and any other video/data format with a lower data rate than 12Gbit/s. BarnMini-11 is equipped with a re-clocker. And as any other BarnMini module it is flexible and with comprehensive video specifications.



Technical Specifications

BNC ports

- 1x BNC port 75Ω TX
- 1x BNC port 75Ω RX
- SMPTE 259M, 292M, 372M, 424M, ST-2081, ST-2082, DVB-ASI, AES10 (MADI), AES3
- Automatic multirate reclocking of outputs 270Mbit/s - 12Gbit/s
- Automatic cable EQ (Belden 1694A) 270Mbit/s - 250m, 1,5Gbit/s - 140m, 3Gbit/s - 80m, 12Gbit/s - 60m

SFP/SFP+ port

- Port for Small Form-Factor Pluggable Plus (SFP+) and SFP, supports MSA-compliant (multi source agreement) transceivers
- Suitable for optical transceivers (singlemode/multimode), SFP media converters (HDMI, ...)
- SMPTE 259M, 292M, 372M, 424M, 372M, ST-2081, ST-2082, DVB-ASI, AES10 (MADI), AES3
- Hot pluggable/swappable

Power Supply

- 12-24V DC power supply included
- redundant power supply available with BTF-Mini-16

Physical Size

- 92mm x 98mm x 22mm
- 200g

Model Name

- BM-11

SFP+ ↔ BNC

