

TG D58

Condenser Microphone



FEATURES

- Short, flexible gooseneck with horizontal swivel joint for optimum positioning
- Rugged construction with rubber shock-mounted microphone capsule
- Patented microphone clamp with integrated pre-amp and XLR connection
- No disturbing cable between microphone head and pre-amp
- Cardioid polar pattern for high-gain-before feedback
- Wide transmission range
- Phantom powering 12 - 48 V

APPLICATIONS

Whether with standing toms, snare drums or percussion instruments - with its patented clip-on mount and integrated pre-amplifier, the TG D58 condenser microphone is mounted and ready in a flash. The expanded frequency range ensures faithful reproduction of all drum types and the 20 mm long flexible gooseneck in conjunction with the swivel mount allow it to be optimally positioned relative to the sound source. An elastic capsule suspension on the capsule housing protects against damage from drumstick strikes.

VERSION

TG D58 Drum microphone with integrated clip, electret condenser, cardioid Order # 707.023

TECHNICAL SPECIFICATIONS

Transducer type	Condenser (back electret)
Operating principle	Pressure gradient
Polar pattern	Cardioid
Frequency response:	
Close miking	20 - 20,000 Hz
Distant miking (measured at 1 m)	35 - 20,000 Hz
Open circuit voltage	5 mV/Pa (-46 dBV) ±2.5 dB
Nominal impedance	200 Ω
Load impedance	≥ 1 kΩ
Max. SPL	
at 24 V and 48 V phantom power	140 dB
S/N ratio	59 dB [CCIR; Q-Peak] 70 dB [A; RMS]
Equivalent SPL	35 dB [CCIR; Q-Peak] 24 dB [A; RMS]
Power supply	Phantom power: 12 - 48 V (recommended: 48 V)
Power consumption	4.7 mA
Connection	XLR, 3-pin, male
Dimensions:	
Clamp (W x H)	85 x 118 mm
Gooseneck length	20 mm
Weight	approx. 140 g

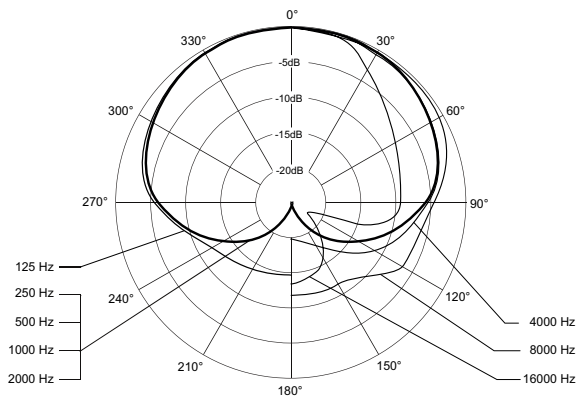
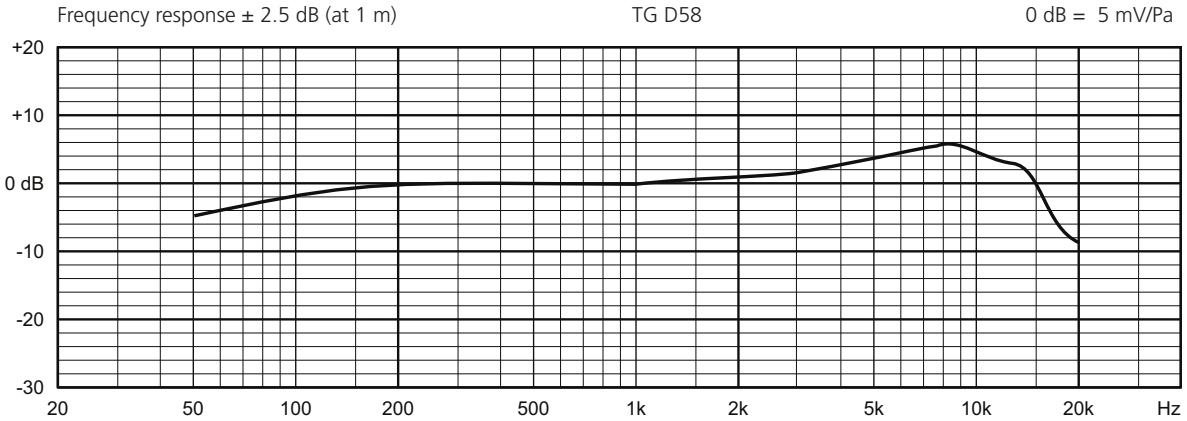
OPTIONAL ACCESSORIES

BMC 05 FM Standard microphone cable	
XLR-XLR, length 5 m	Order # 434.787
BMC 10 FM Standard microphone cable	
XLR-XLR, length 10 m	Order # 434.795
WS 97 Wind shield, black	Order # 465.313

TG D58

FREQUENCY RESPONSE & POLAR PATTERN

This polar pattern and frequency response curve (± 2.5 dB) correspond to a typical production sample for this microphone.



WIRING DIAGRAM

Polarity: Positive pressure produces positive voltage on pin 2.

