

Blackmagic Studio Camera 4K



The Blackmagic Studio Camera 4K is the live broadcast camera that's ready for multi camera Ultra HD production today. Featuring a massive 10 inch viewfinder, MFT lens mount, talkback, tally indicators, phantom powered microphone connections, 12G-SDI and user upgradeable optical fiber connections that let you connect to your switcher with a single cable! The advanced 4K model is switchable to 1080 HD, that means you can work in HD today and you're always ready for Ultra HD production.

\$1,695

Camera Features

Effective Sensor Size

13.056mm x 7.344mm

Focus

Auto focus. Peaking mode

Lens Mount

Active MFT Mount

Lens Control

Iris, focus, zoom on supported lenses

Dynamic Range

11 Stops

Screen Dimensions

1 x 10.1 inch 1920 x 1200

Screen Type

10.1 inch - TFT-LCD

Mounting Options

2 x 3/8" tripod mount. 4 x 1/4"-20 UNC thread mounting points on top of camera. 3 x 1/4" 20 UNC thread mounting points left on right of camera

Connections

Total Video Inputs

1 x SDI

Total Video Outputs

1 x SDI

SDI Rates

1.5G, 3G, 6G, 12G

Optical SDI

Supports optional SMPTE optical module

Optical Fiber Input/Outputs

12G Optical Fiber Input and Output capable

Optical fiber SFP module sold separately

Analog Audio Inputs

2 x XLR , phantom power

Analog Audio Outputs

Aviation headphone jacks (Fixed Wing Plugs) output for talkback and audio monitoring

Reference Input

Tri-Sync or Black Burst.

SDI Audio Outputs

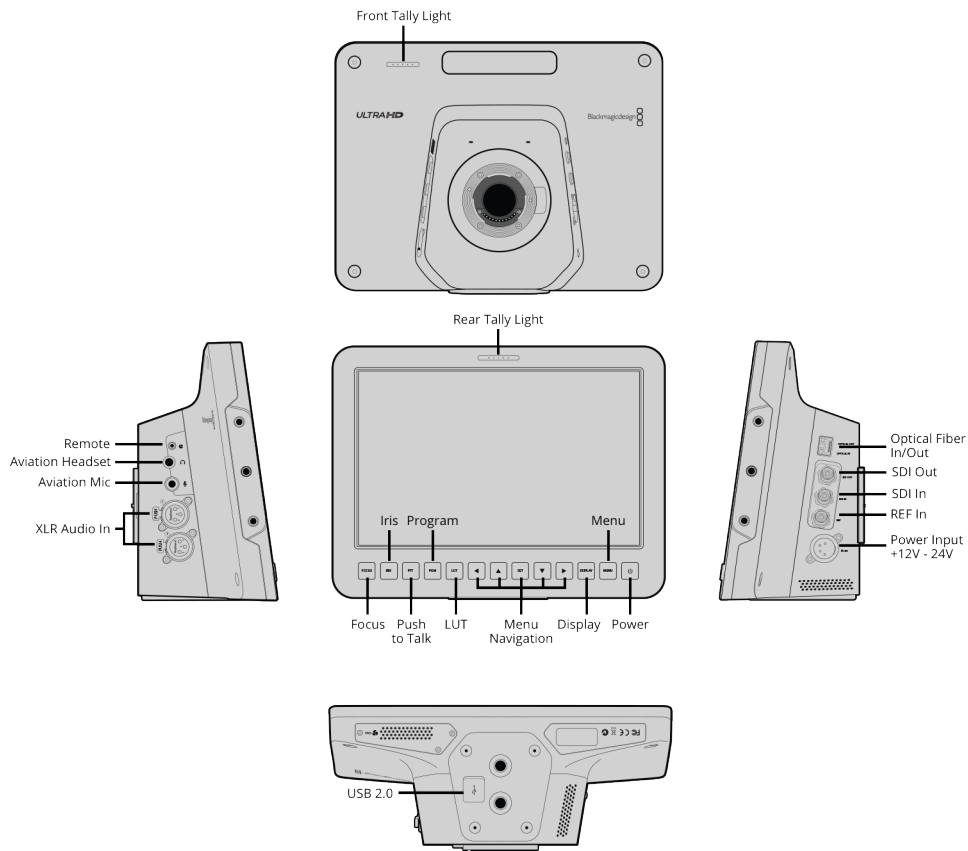
2 channels in 12G-SDI 48Khz and 24 bit. 2 channels for talkback on channel 15-16

Remote Control

1 x 2.5mm LANC for Iris Control and Focus. SDI CCU control from ATEM

Computer Interface

USB 2.0 Mini-B port for software updates



Audio

Microphone

Integrated stereo microphone

Built in Speaker

None

Standards

SD Video Standards

None

HD Video Standards

720p50, 720p59.94, 720p60, 1080p23.98, 1080p24, 1080p25, 1080p29.97, 1080p30, 1080p50, 1080p59.94, 1080p60, 1080i50, 1080i59.94 and 1080i60

Ultra HD Video Standards

2160p23.98, 2160p24, 2160p25, 2160p29.97, 2160p30, 2160p50, 2160p59.94 and 2160p60

SDI Compliance

SMPTE 292M, SMPTE 424M Level B, SMPTE 2081-1, SMPTE 2082-1

SDI Audio Sampling

48 kHz and 24-bit

Media

Media

None

Media Format

None

Supported Codecs

Codecs

None

Control

Controls

Push button controls for navigating menus

External Control

Blackmagic SDI Control Protocol. 2.5 mm LANC connection for lens control

Color Corrector

DaVinci YRGB

Talkback And Tally

Live Tally Indicator

1 x for talent, 1 x for operator

Talkback

SDI Channels 15 and 16

Software

Software Included

Blackmagic Camera Setup for Mac OS X and Windows

Operating Systems



Mac OS X 10.11 El Capitan, macOS 10.12 Sierra or later.



Windows 8.1 or Windows 10.

Power Requirements

1 x External 12V power supply

Optional Accessories

SMPTE compatible SFP Optical Module

ATEM Talkback Converter 4K

Physical Specifications



Environmental Specifications

Operating Temperature

0° to 40° C (32° to 104° F)

Storage Temperature

-20° to 45° C (-4° to 113° F)

Relative Humidity

0% to 90% non-condensing

What's Included

Blackmagic Studio Camera 4K
Sun Shield and attachment screws
Turret Dust Cap
12V AC Adapter
SD card with software and manual

Warranty

12 Month Limited Manufacturer's Warranty

All items on this website are copyright Blackmagic Design Pty. Ltd. 2018, all rights reserved.
All trademarks are property of their respective owners. MSRP excludes sales taxes/duties and shipping costs.
This website uses remarketing services to advertise on third party websites to previous visitors to our site.
You can opt out at any time by changing cookie settings.

Blackmagic Design Authorized Reseller