

SmartView Duo



Featuring two large independent 8 inch LCD screens in a compact rack mount design, SmartView Duo handles SD, HD and 3Gb/s SDI video standards. SmartView Duo is perfect for post production, broadcast and live event monitoring. For easy setup, all screens can be remotely adjusted via ethernet connection. With SmartView Duo you can install SDI monitoring everywhere you need!

\$495

Connections

SDI Video Input

Automatically switches between SD, HD and 3G-SDI. Reclocked loop through output.

Multi Rate Support

Auto detection of 2K, HD or standard definition inputs.

Updates and Configuration

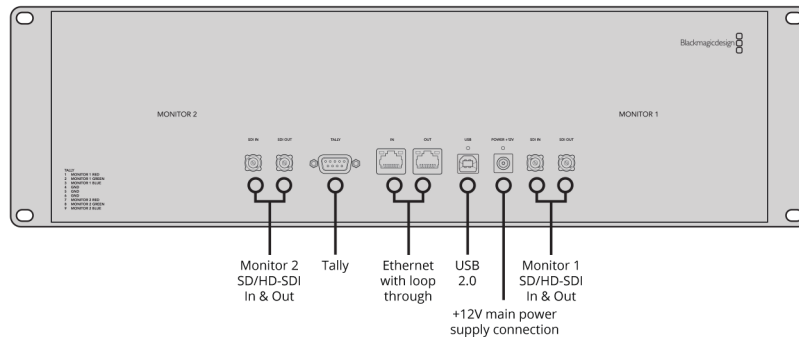
Via USB 2.0 high speed (480 Mb/s)

Ethernet

10/100 BaseT with loop through.

Tally

9-pin D connector



Standards

SDI Compliance

SMPTE 259M, SMPTE 292M, SMPTE 296M, SMPTE 372M, SMPTE 424M Level B and SMPTE 425M.

SDI Color Space

REC 601, REC 709

Video Sampling

4:2:2 and 4:4:4

2K Format Support

2K DCI 23.98p, 2K DCI 24p, 2K DCI 25p, 2K DCI 23.98PsF, 2K DCI 24PsF, 2K DCI 25PsF

SDI Auto Switching

Automatically selects between SD, HD and 3 Gb/s SDI.

SDI Format Support

525i59.94 NTSC, 625i50 PAL
720p50, 720p59.94, 720p60
1080p23.98, 1080p24, 1080p25,
1080p29.97, 1080p30, 1080p50,
1080p59.94, 1080p60
1080PsF23.98, 1080PsF24, 1080PsF25,
1080PsF29.97, 1080PsF30
1080i50, 1080i59.94, 1080i60

Software

Internal Software Upgrade

Via included firmware updater software.

SmartView Utility Software

Via USB or Ethernet.

Operating Systems



macOS 10.12 Sierra,
macOS High Sierra
10.13 or later.



Windows 8.1 or
Windows 10.

Display

Display Element

TFT Active Matrix LCD.

Response

< 15 ms

Color Depth

16.7 Million Colors.

Display Resolution

800 x 480 pixels

Contrast Ratio

Typically 500:1

Display Orientation

Displays can rotate upside down for optimum viewing angle.

Power Requirements

Power Supply

12V universal power supply included with international socket adapters for all countries.

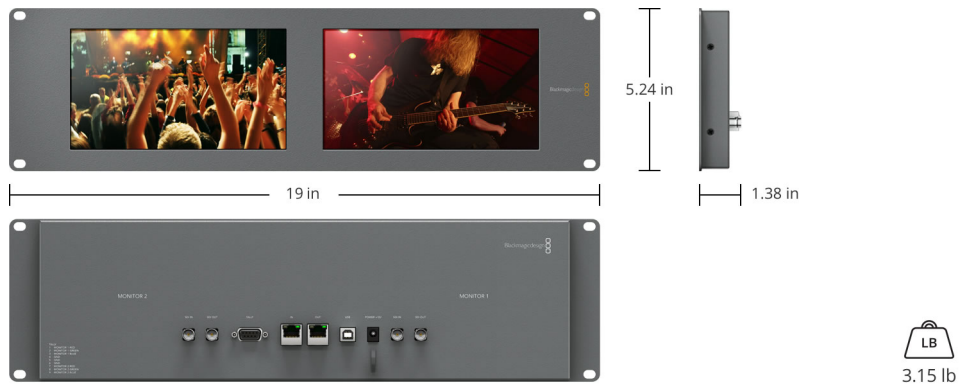
Power Consumption

< 20 Watts

Operational Voltage Range

12V - 15V

Physical Specifications



Environmental Specifications

Operating Temperature
0° to 40° C (32° to 104° F)

Storage Temperature
-20° to 45° C (-4° to 113° F)

Relative Humidity
0% to 90% non-condensing

What's Included

SmartView Duo
Power Supply
SD card with software and manual

Warranty

12 Months Limited Manufacturer's Warranty.

All items on this website are copyright Blackmagic Design Pty. Ltd. 2018, all rights reserved.
All trademarks are property of their respective owners. MSRP excludes sales taxes/duties and shipping costs.
This website uses remarketing services to advertise on third party websites to previous visitors to our site.
You can opt out at any time by changing cookie settings.

Blackmagic Design Authorized Reseller