



## 75Ω BNC Connectors: PC-Series

### Applications

- Digital Broadcast
- CCTV
- SD/SDI

### Features

1. 75 Ohm impedance
2.  $\leq 1.1$  VSWR DC to 1 GHz
3. Crimp pin & sleeve design
4. Elongated body
5. Longer crimp sleeve
6. Gold Plated Contact Pin 'Snap Locks' into place
7. Gold-plated Outer Contact

### Benefits

1. Better transmission quality
2. Easy "field" assembly
3. Better finger grip
4. Superior cable pull strength
5. More reliable connection
6. Superior signal transmission

Model	Pin	Sleeve
BCP-PC3	B11014E	BN7003A
BCP-PC3F	B11015E	BN7003A
BCP-PC4	B11015E	BN7015A
BCP-PC4F	B11016E	BN7015A
BCP-PC5	B11016E	BN7016
BCP-PC5F	B11020D	B75004A
BCP-PC53	B11020D	BN7016
BCP-PC55	B11020D	BN7045A

See cross-reference charts on page 54 for tooling and cable matches.

## 75Ω F Connectors

### Applications

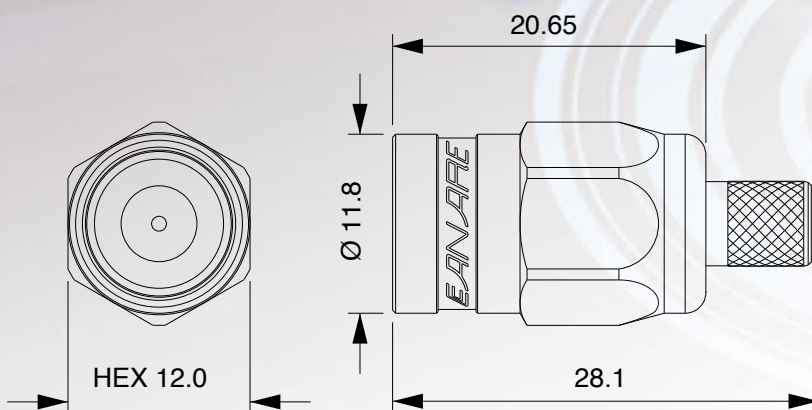
- Digital Broadband
- Satellite Systems
- Rf Equipment
- Cable Modems
- Headends

### Features

1. True 75 Ohm construction
2.  $\geq 26$ dB return loss DC–2GHz ( $\leq 1.1$  VSWR)
3. Crimp pin & sleeve design
4. Use with solid or stranded center 75 Ohm coax
5. Center pin snap locks into connector
6. Longer crimp sleeve

### Benefits

1. Better transmission quality
2. Extremely low bit-rate error
3. Easy "field" assembly
4. Multi-purpose connector
5. More reliable connection
6. Superior cable pull strength



Model	Pin	Sleeve
FP-C3	BN1002B	BN7003A
FP-C3F	BN1003B	BN7003A
FP-C4	BN1003B	BN7015A
FP-C4F	BN1004B	BN7015A
FP-C5	BN1004B	BN7016
FP-C51	BN1004B	BN7002
FP-C53A	BN1005B	BN7046
FP-C55A	BN1005B	BN7045A
FP-C5F	BN1005B	B75004A
FP-C71A	BN1041A	BN7021A
FP-C7FA	BN1030A	BN7021A

See cross-reference charts on page 54 for tooling and cable matches.

Body Material Plating	Center Contact Material Plating	Dielectric	Crimp Sleeve Material Plating	Cable Retention lbs (kg)	Insulation Resistance (500V DC)	Voltage Rating (1 min)	Center Contact Resistance	Outer Contact Resistance
Brass Nickel	Brass Nickel	PTFE	Copper Tin	>55 (>24.9)	>500 MegaOhms	500V AC (rms)	<5 miliOhms	<5 miliOhms