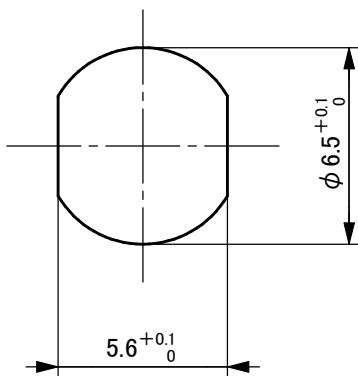


Mounting Hole



5	Body B	1	Brass	Gold Plating
4	Female Center Contact	1	Beryllium Copper	Gold Plating
3	Mounting Nut	1	Brass	Nickel Plating
2	Insulator	2	PTFE	—
1	Body A	1	Brass	Nickel Plating
No.	Name of Parts	Pc(s).	Material	End Finish
Title	75 Ω MICRO BNC RECEPTACLE	PJTN	Unit Sc. Tol. Date Ver. 1.0	Model No.
			mm 4:1 ±0.1 2019-11-19	HBCJ-JRK BL563