

75Ω RCA Connectors

Applications

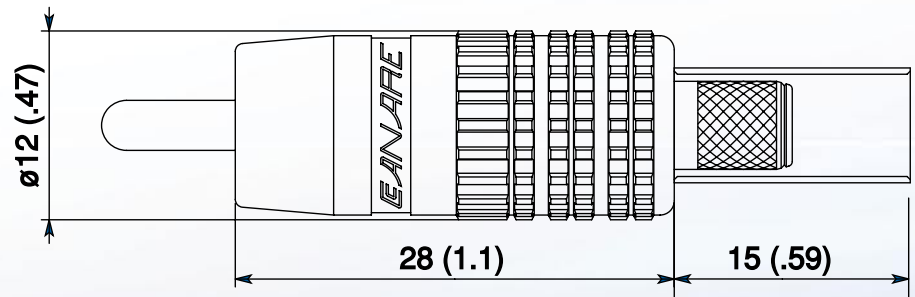
- Multimedia patchcords
- Hi-res video monitors
- SPDIF digital audio
- Duplication decks
- VCR & camcorders
- Audio interconnects

Features

1. True 75 Ohm construction
2. VSWR ≤1.1 DC to 200MHz
3. Absolutely No Soldering Required
4. Internal Pressure Contact Fingers
5. Gold Plated Center Shaft
6. Wide Selection of Cable Types

Benefits

1. Better transmission quality
2. Extremely low bit-rate error
3. Assembly Time Reduced by >80%
4. More reliable connection
5. Multi-purpose connector



Body Material Plating	Center Contact Material Plating	Outer Contact Material Plating	Dielectric	Crimp Pin Material Plating	Crimp Sleeve Material Plating	Cable Retention lbs (kg)	Insulation Resistance (500V DC)	Voltage Rating (1 min)	Contact Resistance
Brass Nickel	Phosphor Bronze Gold	Beryllium Copper Gold	PPO Noryl	Brass Gold	Copper Tin	>55 (>24.9)	>500 MegaOhms	500V AC (rms)	<10 miliOhms



75Ω Multi-Pin Coax Connectors

Applications

- RGB-HV snake systems
- Digital video projectors
- SDI tie lines
- OB vans

Features

1. 75 Ohm impedance
2. Modular snap-lock pins & sockets (5 ea)
3. No soldering required
4. Color-coded channel ID's

Benefits

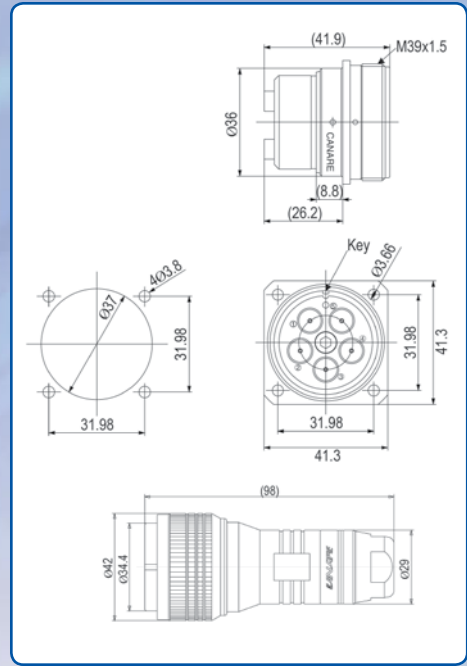
1. Professional standard
2. Secure connections
3. Easy assembly and repair
4. Makes assembly and connection easier

MCM-V5C3

Plug
V5-3C matching cable
DCM01 dust cap

MCF-V5C3

Receptacle
V5-3C, L-3C2V, 3C-2V matching cable
DCF01 dust cap



Model	Pin	Sleeve
RCAP-C3A	B11014E	BN7003A
RCAP-C25F	B11014E	BN7029C
RCAP-C3F	B11015E	BN7003A
RCAP-C42	B11016E	BN7011
RCAP-C4A	B11015E	BN7015A
RCAP-C4F	B11016E	BN7015A
RCAP-C5A	B11016E	BN7016
RCAP-C5F	B11020D	B75004A
RCAP-C53	B11020D	BN7016
RCAP-C77	B11016E	B75004A

See cross-reference charts on page 54 for tooling and cable matches.