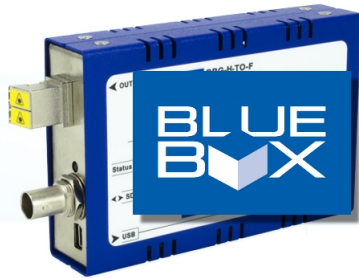


BBG-OE-MK2 • 3G/HD/SD-SDI / ASI / MADI Fiber Optic Transport Receiver



The Blue Box™ **BBG-OE-MK2 Fiber-To-Coax** throw-down converter unit is a part of the Blue Box Group™ of compact, rugged, and portable converter boxes. Super-easy to use, BBG-OE-MK2 supports SMPTE 424M, 292M, and 259M as well as ASI and MADI audio. Auto-mode EQ/reclocking automatically sets to the signal type being received while allowing unrecognized formats to be safely passed without reclocking (auto-reclock can also be manually disabled). Its wide operating range (from 5Mbps to 3Gbps) flexibly supports most professional digital serial communications. Fully error-free pathological pattern operation is fully compatible with other professional fiber video interfaces. An SFP-based OE converter provides state-of-the-art fiber performance, power consumption, and compactness.

BBG-OE-MK2 receives its operating power via a USB connection or using an AC adapter connection. These power sources can be simultaneously used to provide redundant power sourcing.

FEATURES

Full support of 5Mbps thru 3Gbps transport conversions, with seamless auto-mode EQ/reclocking. No switches to set for different payloads.

Compatible with SMPTE 424M, 292M, 259M, 310M, M2S, DVB-ASI, and MADI audio

Input lock status indicator. Optical Rx power meter field allows optical Rx confidence assessment.

Error-free pathological support. Full compatibility with other BlueBox™ Coax/Fiber units and Cobalt 9400-series openGear® frame-installed fiber cards.

Compact size and low weight design easily affixes directly to camera or host device chassis. Optional BBG-MB mounting bracket provides rigid, secure mounting to mounting surfaces.

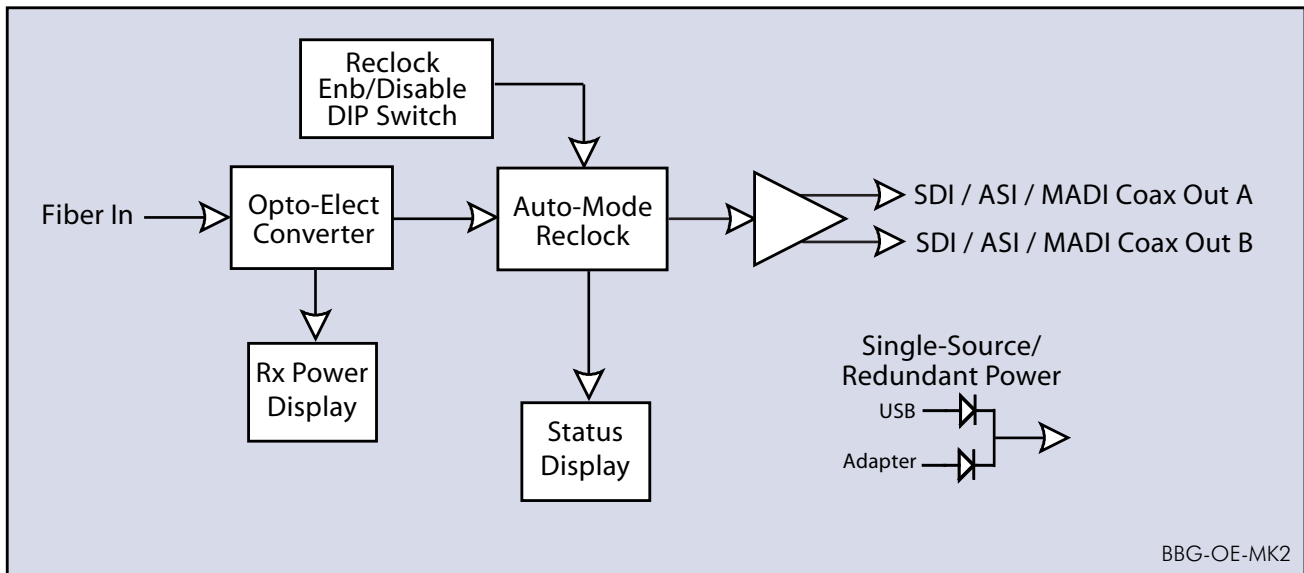
SFP-based OE converter provides state-of-the-art fiber performance, power consumption, and compactness

Available with ST, LC, or FC fiber termination

Dual buffered/reclocked coax BNC outputs

Powers directly from host equipment USB or standard corded power adapter. USB power and corded adapter can be simultaneously used to provide redundant power sourcing.

Rugged construction backed with a five-year warranty



BBG-OE-MK2



BBG-OE-MK2 • 3G/HD/SD-SDI / ASI / MADI Fiber Optic Transport Receiver**SPECIFICATIONS****Power**

5-16 VDC, 2.4 W
DC Power Connectors
USB Mini and coaxial locking connector (for use with supplied Cobalt power adapter)

Standards/Data Rates Supported

SMPTE 424M, 292M, 259M, 344M, 305M, DVB-ASI
5Mbps to 3Gbps pathological pattern operation
(does not support AES-3id audio or other standards using data rates < 5Mbps)

Input

(1) Fiber input. FC, ST, or LC connectors per ordered configuration (see Ordering Info)
Wavelength: 1260 to 1620 nm
Sensitivity: -23 dBm

Outputs

(2) 75Ω BNC. Reclocking automatically engaged for recognized signal standards; bypassed for unrecognized standards.
Return Loss: >18 dBm up to 270 MHz

Dimensions (WxHxD)

5.5" x 3" x 1" (including connector projections)
(139 x 77 x 26 mm)

Note: Specifications subject to change.

ORDERING INFORMATION

BBG-OE-MK2-FC 3G/HD/SD-SDI / ASI / MADI Fiber Optic Transport Receiver (Type FC fiber connector)

BBG-OE-MK2-ST 3G/HD/SD-SDI / ASI / MADI Fiber Optic Transport Receiver (Type ST fiber connector)

BBG-OE-MK2-LC 3G/HD/SD-SDI / ASI / MADI Fiber Optic Transport Receiver (Type LC fiber connector)

BBG-MB Mounting Bracket