

BBG-EO-12G • 12G/6G/3G/HD/SD-SDI / ASI / MADI Fiber Optic Transport Transmitter



The Blue Box **BBG-EO-12G Fiber-To-Coax** throw-down converter unit is a part of the Blue Box Group™ of compact, rugged, and portable converter boxes. Super-easy to use, BBG-EO-12G supports SMPTE ST2082, ST2081, 424M, 292M, and 259M as well as ASI and MADI audio. Auto-mode EQ/reclocking automatically sets to the signal type being received while allowing unrecognized formats to be safely passed without reclocking (auto-reclock can also be manually disabled). Its wide operating range (from 5Mbps to 12Gbps) flexibly supports most professional digital serial communications. Fully error-free pathological pattern operation is fully compatible with other professional fiber video interfaces. An SFP-based EO converter provides state-of-the-art fiber performance, power consumption, and compactness.

BBG-EO-12G receives its operating power via a USB connection or using an AC adapter connection. These power sources can be simultaneously used to provide redundant power sourcing.

FEATURES

Full support of 5Mbps thru 12Gbps transport conversions, with seamless auto-mode EQ/ reclocking. No switches to set for different payloads.

Compatible with SMPTE ST2082, ST2081, 424M, 292M, 259M, 310M, M2S, DVB-ASI, and MADI audio.

Input lock status indicator. Optical Tx power meter field allows optical Tx confidence assessment.

Error-free pathological support.

Compact size and low weight design easily affixes directly to camera or host device chassis. Optional BBG-MB mounting bracket provides rigid, secure mounting to mounting surfaces.

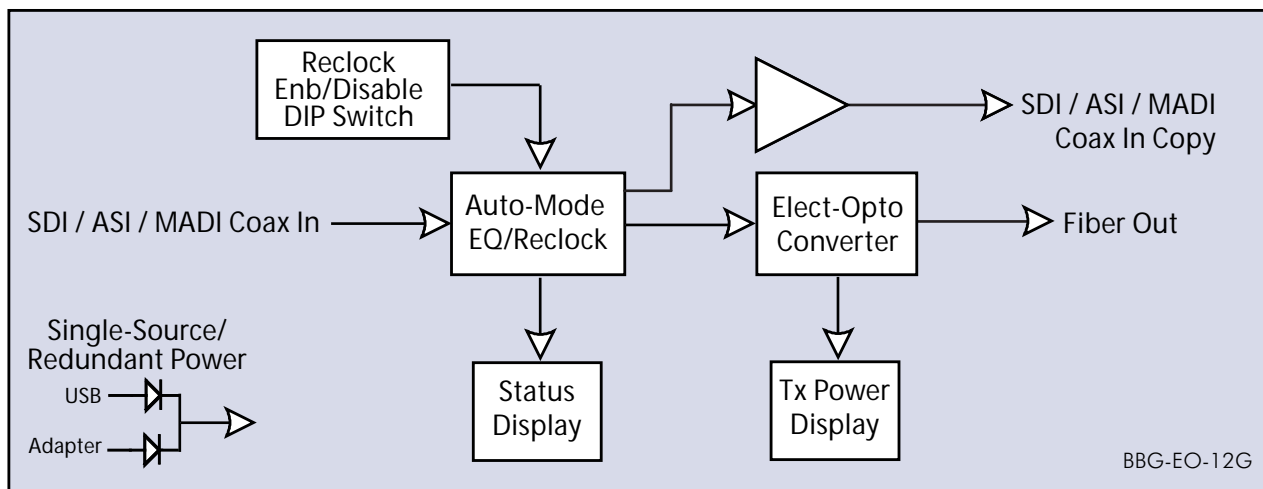
SFP-based EO converter provides state-of-the-art fiber performance, power consumption, and compactness.

Available with ST, LC, or FC fiber termination.

Auxiliary reclocked coax BNC input copy output.

Powers directly from host equipment USB or standard corded power adapter. USB power and corded adapter can be simultaneously used to provide redundant power sourcing.

Rugged construction backed with a five-year warranty.



BBG-EO-12G • 12G/6G/3G/HD/SD-SDI / ASI / MADI Fiber Optic Transport Transmitter**SPECIFICATIONS****Power**

5-16 VDC, 2.4 W
 DC Power Connectors
 USB Mini and coaxial locking connector (for use with supplied Cobalt power adapter)

Standards/Data Rates Supported

SMPTE ST2082, ST2081, 424M, 292M, 259M, 344M, 305M, DVB-ASI
 5Mbps to 12Gbps pathological pattern operation
 (does not support AES-3id audio or other standards using data rates < 5Mbps)

Input

(1) 75Ω BNC input copy.
 Reclocking automatically engaged for recognized signal standards; bypassed for unrecognized standards.

Outputs

(1) Fiber output. FC, ST, or LC connectors per ordered configuration (see Ordering Info)
 Wavelength: 1310 nm
 Power: -5.0 dBm (min)
 (1) 75Ω BNC input copy. Reclocking automatically engaged for recognized signal standards; bypassed for unrecognized standards.
 Return Loss: >18 dBm up to 270MHz

Dimensions (WxHxD)

5.5" x 3" x 1" (including connector projections)
 (139 x 77 x 26 mm)

Operating Temperature Range

32°F to 122°F
 (0°C to 50°C)

Note: Specifications subject to change.

ORDERING INFORMATION

BBG-EO-12G-FC 12G/6G/3G/HD/SD-SDI / ASI / MADI Fiber Optic Transport Receiver (Type FC fiber connector)

BBG-EO-12G-ST 12G/6G/3G/HD/SD-SDI / ASI / MADI Fiber Optic Transport Receiver (Type ST fiber connector)

BBG-EO-12G-LC 12G/6G/3G/HD/SD-SDI / ASI / MADI Fiber Optic Transport Receiver (Type LC fiber connector)

BBG-TRAY BBG Mounting Sled (See BBG-TRAY page for full complement of throwdown BBG tray mounting accessories and illustrations.)

BBG-MB Mounting Bracket (see Product Downloads for downloading installation instruction sheet)

Note: Device includes one PS4 Power Supply (AC adapter). Power supplies listed below are for replacement or spares purposes:

- **PS4** Universal Power Supply, UL/CSA. Input: 100-240V, 60/50 Hz. Output: 5 VDC @ 12 Watts
- **PS5** Universal Power Supply, IEC Connector, CE/UL/CSA. Input: 100-240V, 60/50 Hz. Output: 5V, 2A (International Power Supply. Specify country of destination.)