



## Features

**DriveCore™ Technology** – Crown’s proprietary DriveCore technology eliminates hundreds of components within each amplifier, reducing the variability of component values, increasing reliability, resulting in incredible audio fidelity from an efficient design.

**Network Control and Monitoring** – Through HARMAN’s HiQnet Audio Architect software, the CDi DriveCore can be controlled, configured, and monitored through standard TCP/IP network.

**DSP** – On-board Digital Signal Processor in each amplifier allows for custom configuration and includes these integrated features:

- Input Router
- Input Delay – Up to 1000ms
- Input Parametric EQ – 8 band
- Crossover
- Output Parametric EQ – 8 band
- Output Delay – Up to 100ms
- LevelMAX™ Limiter

**BLU link** (BL models only) – Both receive and send channels over HARMAN’s 256 channel, fault-tolerant audio BUS, BLU link.

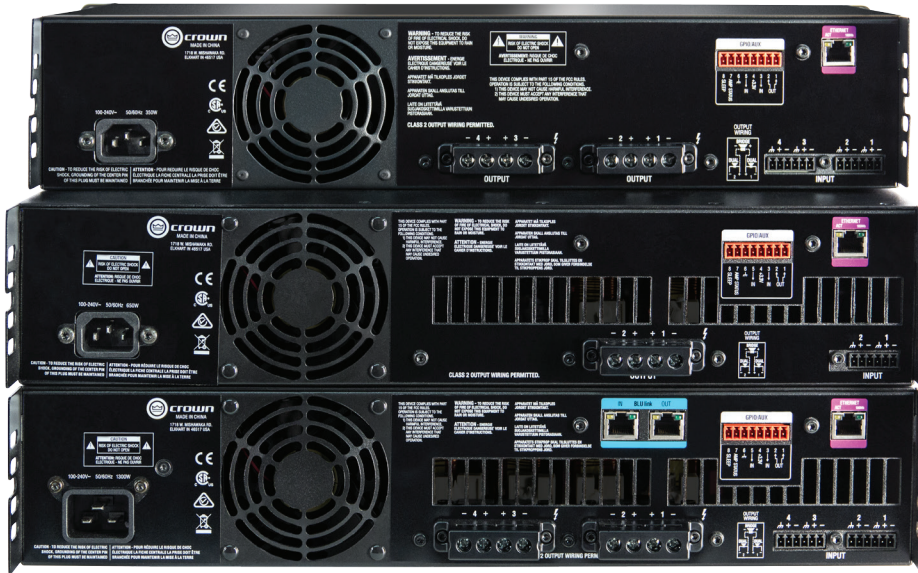
**Direct Drive 70/100Vrms Output** – Each output channel is capable of providing either 70V or 100V for high impedance applications.

**Front-Panel Interface** – Completely configure the amplifier using an intuitive front-panel interface.

**GPIO/AUX Port** – Recall presets, mute channels, monitor faults, power on/off the amplifier, and more through a combined GPIO/AUX Port.

**Pre-loaded Speaker Tunings** – For quicker and easier setup and installation.

# CDI DriveCore™ Series



CDi DriveCore 4|600, 2|1200 and 4|1200BL models shown

## Specifications

### Input Sensitivity

| Amp Model            | 8Ω                               |                                |                                 | 70Vrms                         |                                |                                  | 100Vrms                                |                                |                                  |
|----------------------|----------------------------------|--------------------------------|---------------------------------|--------------------------------|--------------------------------|----------------------------------|--|--------------------------------|----------------------------------|
|                      | 37dB Gain Mode                   | 34dB Gain Mode                 | 26dB Gain Mode                  | 37dB Gain Mode                 | 34dB Gain Mode                 | 26dB Gain Mode                   | 37dB Gain Mode                         | 34dB Gain Mode                 | 26dB Gain Mode                   |
| 2 300 /<br>2 300BL   | 0.7Vrms<br>(-0.8dBu,<br>-3.0dBV) | 1.0Vrms<br>(2.2dBu,<br>0.0dBV) | 2.5Vrms<br>(10.2dBu,<br>8.0dBV) | 1.0Vrms<br>(2.2dBu,<br>0.0dBV) | 1.4Vrms<br>(5.2dBu,<br>3.0dBV) | 3.5Vrms<br>(13.2dBu,<br>11.0dBV) | 1.4Vrms<br>(5.2dBu,<br>3.0dBV)         | 2.0Vrms<br>(8.2dBu,<br>6.0dBV) | 5.0Vrms<br>(16.2dBu,<br>14.0dBV) |
| 4 300 /<br>4 300BL   | 0.7Vrms<br>(-0.8dBu,<br>-3.0dBV) | 1.0Vrms<br>(2.2dBu,<br>0.0dBV) | 2.5Vrms<br>(10.2dBu,<br>8.0dBV) | 1.0Vrms<br>(2.2dBu,<br>0.0dBV) | 1.4Vrms<br>(5.2dBu,<br>3.0dBV) | 3.5Vrms<br>(13.2dBu,<br>11.0dBV) | 1.4Vrms<br>(5.2dBu,<br>3.0dBV)         | 2.0Vrms<br>(8.2dBu,<br>6.0dBV) | 5.0Vrms<br>(16.2dBu,<br>14.0dBV) |
| 2 600 /<br>2 600BL   | 0.7Vrms<br>(-0.8dBu,<br>-3.0dBV) | 1.0Vrms<br>(2.2dBu,<br>0.0dBV) | 2.5Vrms<br>(10.2dBu,<br>8.0dBV) | 1.0Vrms<br>(2.2dBu,<br>0.0dBV) | 1.4Vrms<br>(5.2dBu,<br>3.0dBV) | 3.5Vrms<br>(13.2dBu,<br>11.0dBV) | 1.4Vrms<br>(5.2dBu,<br>3.0dBV)         | 2.0Vrms<br>(8.2dBu,<br>6.0dBV) | 5.0Vrms<br>(16.2dBu,<br>14.0dBV) |
| 4 600 /<br>4 600BL   | 0.7Vrms<br>(-0.8dBu,<br>-3.0dBV) | 1.0Vrms<br>(2.2dBu,<br>0.0dBV) | 2.5Vrms<br>(10.2dBu,<br>8.0dBV) | 1.0Vrms<br>(2.2dBu,<br>0.0dBV) | 1.4Vrms<br>(5.2dBu,<br>3.0dBV) | 3.5Vrms<br>(13.2dBu,<br>11.0dBV) | 1.4Vrms<br>(5.2dBu,<br>3.0dBV)         | 2.0Vrms<br>(8.2dBu,<br>6.0dBV) | 5.0Vrms<br>(16.2dBu,<br>14.0dBV) |
| 2 1200 /<br>2 1200BL | 0.7Vrms<br>(-0.8dBu,<br>-3.0dBV) | 1.0Vrms<br>(2.2dBu,<br>0.0dBV) | 2.5Vrms<br>(10.2dBu,<br>8.0dBV) | 1.0Vrms<br>(2.2dBu,<br>0.0dBV) | 1.4Vrms<br>(5.2dBu,<br>3.0dBV) | 3.5Vrms<br>(13.2dBu,<br>11.0dBV) | 1.4Vrms<br>(5.2dBu,<br>3.0dBV)<br>150W | 2.0Vrms<br>(8.2dBu,<br>6.0dBV) | 5.0Vrms<br>(16.2dBu,<br>14.0dBV) |
| 4 1200 /<br>4 1200BL | 0.7Vrms<br>(-0.8dBu,<br>-3.0dBV) | 1.0Vrms<br>(2.2dBu,<br>0.0dBV) | 2.5Vrms<br>(10.2dBu,<br>8.0dBV) | 1.0Vrms<br>(2.2dBu,<br>0.0dBV) | 1.4Vrms<br>(5.2dBu,<br>3.0dBV) | 3.5Vrms<br>(13.2dBu,<br>11.0dBV) | 1.4Vrms<br>(5.2dBu,<br>3.0dBV)         | 2.0Vrms<br>(8.2dBu,<br>6.0dBV) | 5.0Vrms<br>(16.2dBu,<br>14.0dBV) |

# CDI DriveCore™ Series



## Output Power: Dual Mode – All Channels Driven

| Amp Model         | Channels | 2Ω   | 4Ω    | 8Ω    | 16Ω  | 70Vrms | 100Vrms |
|-------------------|----------|------|-------|-------|------|--------|---------|
| 2 300 / 2 300BL   | 2        | 150W | 300W  | 300W  | 150W | 300W   | 300W    |
| 4 300 / 4 300BL   | 4        | 150W | 300W  | 300W  | 150W | 300W   | 300W    |
| 2 600 / 2 600BL   | 2        | 300W | 600W  | 600W  | 300W | 600W   | 600W    |
| 4 600 / 4 600BL   | 4        | 300W | 600W  | 600W  | 300W | 600W   | 600W    |
| 2 1200 / 2 1200BL | 2        | 850W | 1200W | 1200W | 600W | 1200W  | 1200W   |
| 4 1200 / 4 1200BL | 4        | 850W | 1200W | 1200W | 600W | 1200W  | 1200W   |

Minimum Guaranteed Power (1kHz, all channels driven, max distortion 0.5%, duration 0.5 seconds, 120 – 240Vrms –50/60Hz)

## Output Power: Bridge Mono Mode – All Channels Driven

| Amp Model         | 4Ω    | 8Ω    | 16Ω   | 140Vrms | 200Vrms |
|-------------------|-------|-------|-------|---------|---------|
| 2 300 / 2 300BL   | 300W  | 600W  | 600W  | 600W    | 600W    |
| 4 300 / 4 300BL   | 300W  | 600W  | 600W  | 600W    | 600W    |
| 2 600 / 2 600BL   | 600W  | 1200W | 1200W | 1200W   | 1200W   |
| 4 600 / 4 600BL   | 600W  | 1200W | 1200W | 1200W   | 1200W   |
| 2 1200 / 2 1200BL | 1200W | 2400W | 2400W | 2400W   | 2400W   |
| 4 1200 / 4 1200BL | 1200W | 2400W | 2400W | 2400W   | 2400W   |

Minimum Guaranteed Power (1kHz, all channels driven, max distortion 0.5%, duration 0.5 seconds, 120 – 240Vrms –50/60Hz)

# CDI DriveCore™ Series

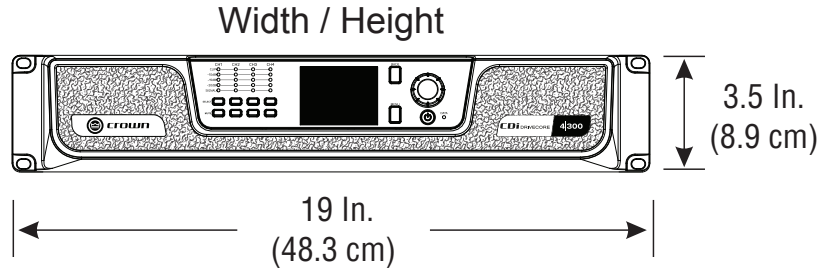
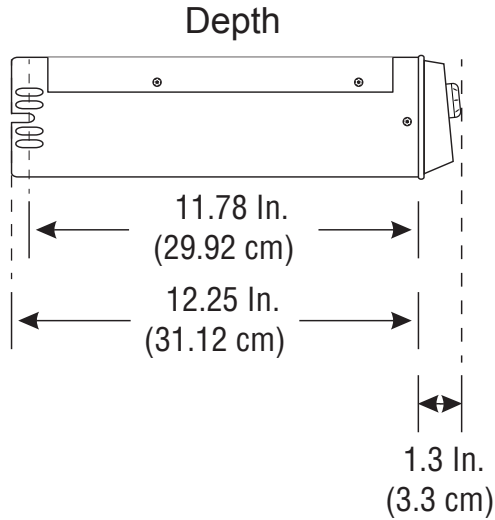
## Performance Specifications

| Specification Description   | 2 300 / 2 300BL  | 4 300 / 4 300BL  | 2 600 / 2 600BL  | 4 600 / 4 600BL   | 2 1200 / 2 1200BL   | 4 1200 / 4 1200BL   |
|---|--|--|--|---|---|---|
| Digital Signal Processing   | 96kHz, 32-bit floating point                                     | 96kHz, 32-bit floating point                                     | 96kHz, 32-bit floating point                                     | 96kHz, 32-bit floating point                                  | 96kHz, 32-bit floating point                                  | 96kHz, 32-bit floating point                                  |
| Voltage Gain (at maximum level setting) 4/8Ω, 70Vrms and 100Vrms Operation        | 34dB   | 34dB   | 34dB   | 34dB  | 34dB  | 34dB  |
| Frequency Response (8Ω, 20Hz - 20kHz)   | +/-0.5dB   | +/-0.5dB   | +/-0.5dB   | ±0.25dB   | ±0.25dB   | ±0.25dB   |
| BLU link Signal-to-Noise Ratio (ref. rated power, 100V, 20Hz - 20kHz)             | >108dB   | >108dB   | >108dB   | >108dB  | >108dB  | >108dB  |
| Total Harmonic Distortion (at full rated power, from 20Hz - 20kHz)                | 0.35%  | 0.35%  | 0.35%  | 0.35%   | 0.35%   | 0.35%   |
| Analog Input Signal to Noise Ratio (ref. rated power, 100V, 20Hz - 20kHz)         | >104dB   | >104dB   | >104dB   | >104dB  | >104dB  | >104dB  |
| Intermodulation Distortion (60Hz and 7kHz at 4:1, from -30dB to full rated power) | ≤0.35%   | ≤0.35%   | ≤0.35%   | ≤0.35%  | ≤0.35%  | ≤0.35%  |
| Damping Factor (20Hz to 100Hz)  | >1000  | >1000  | >1000  | >1000   | >1000   | >1000   |
| Crosstalk (below rated power, 20Hz to 1kHz)                                       | >80dB  | >80dB  | >80dB  | >80dB   | >80dB   | >80dB   |
| Common Mode Rejection (20Hz to 1kHz, typical)                                     | >70dB  | >70dB  | >70dB  | >70dB   | >70dB   | >70dB   |
| DC Output Offset (with inputs shorted)  | ±10mV  | ±10mV  | ±10mV  | ±10mV   | ±10mV   | ±10mV   |
| Input Impedance (Nominally balanced, nominally unbalanced)                        | 20 kΩ balanced, 10 kΩ unbalanced                                 | 20 kΩ balanced, 10 kΩ unbalanced                                 | 20 kΩ balanced, 10 kΩ unbalanced                                 | 10 kΩ balanced, 5 kΩ unbalanced                               | 10 kΩ balanced, 5 kΩ unbalanced                               | 10 kΩ balanced, 5 kΩ unbalanced                               |
| Maximum Input Level (Low Amp Gain Mode)   | +20dBu   | +20dBu   | +20dBu   | +20dBu  | +20dBu  | +20dBu  |
| Required AC Mains (±10%)  | 100V – 240V~ 50/60Hz   | 100V – 240V~ 50/60Hz   | 100V – 240V~ 50/60Hz   | 100V – 240V~ 50/60Hz  | 100V – 240V~ 50/60Hz  | 100V – 240V~ 50/60Hz  |
| Cooling   | Continuously variable speed forced air, front-to-back airflow    | Continuously variable speed forced air, front-to-back airflow    | Continuously variable speed forced air, front-to-back airflow    | Continuously variable speed forced air, front-to-back airflow | Continuously variable speed forced air, front-to-back airflow | Continuously variable speed forced air, front-to-back airflow |
| Power Supply Connector  | Standard IEC type 320 inlet for detachable connector 100 – 240V~ | Standard IEC type 320 inlet for detachable connector 100 – 240V~ | Standard IEC type 320 inlet for detachable connector 100 – 240V~ | 15A IEC connector, 100 – 240V                                 | 15A IEC connector, 100 – 240V                                 | 20A IEC connector, 100 – 240V                                 |
| Load Impedance Stereo/Dual Mode   | 2Ω - 16Ω; 70Vrms and 100Vrms                                     | 2Ω - 16Ω; 70Vrms and 100Vrms                                     | 2Ω - 16Ω; 70Vrms and 100Vrms                                     | 2Ω - 16Ω; 70Vrms and 100Vrms                                  | 2Ω - 16Ω; 70Vrms and 100Vrms                                  | 2Ω - 16Ω; 70Vrms and 100Vrms                                  |
| Load Impedance Bridge Mono  | 4Ω - 16Ω; 140Vrms and 200Vrms                                    | 4Ω - 16Ω; 140Vrms and 200Vrms                                    | 4Ω - 16Ω; 140Vrms and 200Vrms                                    | 4Ω - 16Ω; 140Vrms and 200Vrms                                 | 4Ω - 16Ω; 140Vrms and 200Vrms                                 | 4Ω - 16Ω; 140Vrms and 200Vrms                                 |
| Maximum Fan Noise (re dB SPL @ 1M)  | 51dBA  | 51dBA  | 51dBA  | 51dBA   | 54 dBA  | 54dBA   |
| Weight  | 14.56 lbs (6.6 kg)   | 16.13 lbs (7.31 kg)  | 14.56 lbs (6.6 kg)   | 16.3 lbs (7.39 kg)  | 17.2 lbs (7.8 kg)   | 20.1 lbs (9.12 kg)  |

# CDI DriveCore™ Series

## Dimensions

2|300 / 2|300BL / 4|300 / 4|300BL / 2|600 / 2|600BL / 4|600 / 4|600BL



2|1200 / 2|1200BL / 4|1200 / 4|1200BL

