

# Tensioned Large Cosmopolitan® Electrol®

Automatic Electric Projection Screen Model



SPECIFICATION DATA

**SUGGESTED SPECIFICATIONS:** \_\_\_\_\_ projection screen(s), \_\_\_\_\_(H) x \_\_\_\_\_(W), electrically operated 120 volt (60Hz) not more than 2.4 amp. Shall have specially designed motor mounted inside the roller, to be three wire with ground quick reversal type, oiled for life, with automatic thermal overload cut-out, integral gears, capacitor and an electric brake to prevent coasting. To have pre-set but adjustable limit switches to automatically stop picture surface in the "up" and "down" positions. The roller to be of aluminum. Screen fabric to be flame retardant and mildew resistant vinyl with black masking borders standard. Each side of fabric to have a tab guide cable

system to maintain even lateral tension and hold surface flat. Bottom of fabric to be inserted into a custom aluminum slat bar with added weight to provide vertical tension on the screen surface. The ends of the slat to be protected by heavy duty plastic caps enclosing a preset adjustable mechanism for screen tensioning. Case to be a two-piece design made of extruded aluminum with a white, lightly textured powder coat finish. Screen to include a three-position control switch and cover plate. Screen to be listed by Underwriters' Laboratories.



## HDTV (16:9) Format Dimensions

Viewing Area (H x W)		Nominal Diagonal		Overall Length of Case		Approx. Ship. Wt.	
In.	Cm	In.	Cm	In.	Cm	Lbs.	Kg
92" x 164"	234 x 417	188"	478	186"	472	240	108.9
108" x 192"	274 x 488	220"	559	215½"	547	305	138.3

## Wide (16:10) Format Dimensions

Viewing Area (H x W)		Nominal Diagonal		Overall Length of Case		Approx. Ship. Wt.	
In.	Cm	In.	Cm	In.	Cm	Lbs.	Kg
100" x 160"	254 x 406	189"	480	182½"	464	225	102.1
110" x 176"	279 x 447	208"	528	199¾"	507	260	117.9
120" x 192"	305 x 488	226"	574	217"	551	309	140.2

## Video (NTSC 4:3) Format Dimensions

Viewing Area (H x W)		Nominal Diagonal		Overall Length of Case		Approx. Ship. Wt.	
In.	Cm	In.	Cm	In.	Cm	Lbs.	Kg
108" x 144"	274 x 366	180"	457	167½"	425	205	92.9
120" x 160"	305 x 406	200"	508	185"	470	240	108.9
126" x 168"	320 x 427	210"	533	194"	493	250	113.4
132" x 176"	335 x 447	220"	559	203"	516	260	117.9
144" x 192"	366 x 488	240"	610	220½"	560	309	140.2

**PRODUCT NOTES**

- All viewing surfaces will be seamless.
- All viewing surfaces are standard with black backing except for Da-Tex® and Dual Vision.
- All screens standard with 12" black drop at the top.
- Extra drop may alter case dimensions. Contact Da-Lite for details.
- Overall case length dimensions +/- 1/4" (6mm).
- Detail dimensional drawings, wiring diagrams and installation instructions available upon request.
- Specifications subject to change without notice.
- Custom formats and sizes available upon request.

**WHEN ORDERING, MARK APPROPRIATE SELECTIONS**

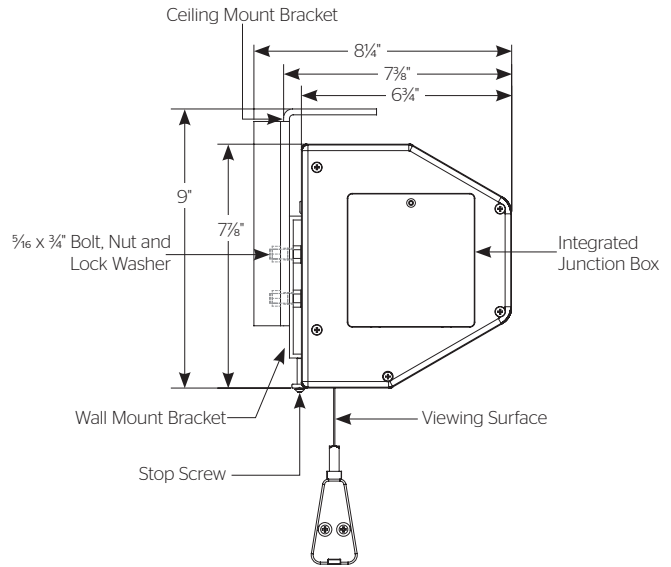
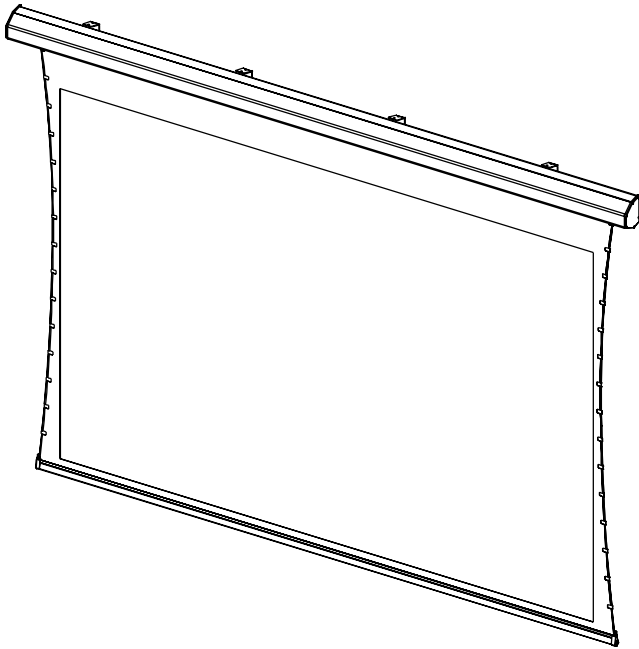
- Select size from charts on the other side.
- Select viewing surface (All Da-Lite surfaces are GREENGUARD GOLD Certified):
 

<input type="radio"/> HD Progressive 0.6	<input type="radio"/> Da-Mat®
<input type="radio"/> HD Progressive 0.9	<input type="radio"/> High Contrast Da-Mat®
<input type="radio"/> HD Progressive 1.1	<input type="radio"/> Da-Tex® (Rear)
<input type="radio"/> HD Progressive 1.1 Contrast	<input type="radio"/> Dual Vision
<input type="radio"/> HD Progressive 1.3	
- Options:
 

<input type="checkbox"/> Single Motor Low Voltage Control System (LVC) - built-in.	<input type="checkbox"/> Black case (white standard).
<input type="checkbox"/> 220 Volt (50 Hz) Motor.	
- Optional accessories:
 

<input type="checkbox"/> Single Motor Low Voltage Control System (LVC) - external.	<input type="checkbox"/> Key Operated Switch for 120V only (NOTE: Cannot be used with LVC).
<input type="checkbox"/> Wireless Remote Control for LVC. <ul style="list-style-type: none"> <li><input type="checkbox"/> Radio Frequency Remote.</li> <li><input type="checkbox"/> Radio Frequency Range Extender available</li> <li><input type="checkbox"/> Infrared Remote.</li> </ul>	<input type="checkbox"/> Video Projector Interface Control - external.
<input type="checkbox"/> Key Locking Cover Plate for 120V or LVC Switch.	<input type="checkbox"/> External SCB-100 - RS-232 Serial Control Board.
	<input type="checkbox"/> NET-100 Ethernet-Serial Adapter.

**PRODUCT VIEWS**



**A BRAND OF MILESTONE AV TECHNOLOGIES**

www.milestone.com  
 P 800.622.3737 / 574.267.8101  
 F 877.325.4832 / 574.267.7804  
 E info@da-lite.com

In British Columbia, Milestone AV Technologies ULC carries on business as MAVT Milestone AV Technologies ULC.

©2017 Milestone AV Technologies. DL-0195 (Rev. 3) 1217.  
 Da-Lite is a registered trademarks of Milestone AV Technologies. All other brand names or marks are used for identification purposes and are trademarks of their respective owners. All patents are protected under existing designations. Other patents pending.

Project Name: _____	
Architect: _____	Phone: _____
Contractor: _____	Phone: _____
Supervisor: _____	Phone: _____
Supplier: _____	Date: _____
Revised: _____	