

Designer Contour® Electrol®

Automatic Electric Projection Screen Model



SPECIFICATION DATA

SUGGESTED SPECIFICATIONS: _____ projection screen(s), _____(H) x _____(W), electrically operated 120 volt (60 Hz) not more than 1.2 amp. Shall have specially designed motor mounted inside the roller, to be three wire with ground, quick reversal type, oiled for life, with automatic thermal overload cutout, integral gears, capacitor and an electric brake to prevent coasting. To have preset but adjustable limit switches to automatically stop the picture surface in the "up" and "down" positions. The roller to be of rigid metal. Roller mounting brackets to be adjustable to allow

centering or offsetting of the screen within the case. Screen case to be a two piece design made of extruded aluminum. Case to be finished in white, lightly textured powder coat. Screen fabric to be flame retardant and mildew resistant fiberglass with black masking borders standard. Bottom of fabric shall be formed into a pocket holding a metal rod. Screen to include a three-position control switch and cover plate. Screen to be listed by Underwriters' Laboratories.



HDTV (16:9) Format Dimensions (2" Standard Black Drop at Top)

Viewing Area (H x W)		Nominal Diagonal		Overall Length of Case		Approx. Ship. Wt.	
In.	Cm	In.	Cm	In.	Cm	Lbs.	Kg
37½" x 67"	95 x 170	77"	196	79¼"	201	37	16.8
45" x 80"	114 x 203	92"	234	93¼"	237	42	19.1
52" x 92"	132 x 234	106"	269	105¼"	267	47	21.3

Video (NTSC 4:3) Format Dimensions (2" Standard Black Drop at Top)

Viewing Area (H x W)		Nominal Diagonal		Overall Length of Case		Approx. Ship. Wt.	
In.	Cm	In.	Cm	In.	Cm	Lbs.	Kg
43" x 57"	109 x 145	72"	183	69¼"	176	34	15.4
50" x 67"	127 x 170	84"	213	79¼"	201	37	16.8
60" x 80"	152 x 203	100"	254	93¼"	237	42	19.1
69" x 92"	175 x 234	120"	305	105¼"	267	47	21.3

Square Format Dimensions

Size (H x W)		Overall Length of Case		Approx. Ship. Wt.	
In.	Cm	In.	Cm	Lbs.	Kg
60" x 60"	152 x 152	69¼"	176	34	15.4
70" x 70"	178 x 178	79¼"	201	37	16.8
84" x 84"	213 x 213	93¼"	237	42	19.1
8' x 8'	244 x 244	105¼"	267	48	21.8

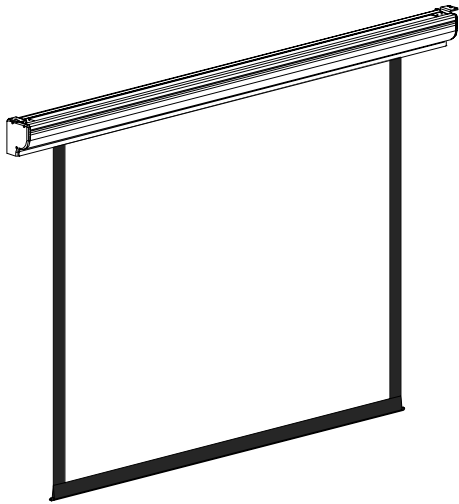
PRODUCT NOTES

- **Matte White, High Contrast Matte White and Video Spectra 1.5:** Seamless in all sizes.
- Overall case length dimensions +/- 1/4".
- Detail dimensional drawings, wiring diagrams and installation instructions available upon request.
- Specifications subject to change without notice.
- Custom formats and sizes available upon request.

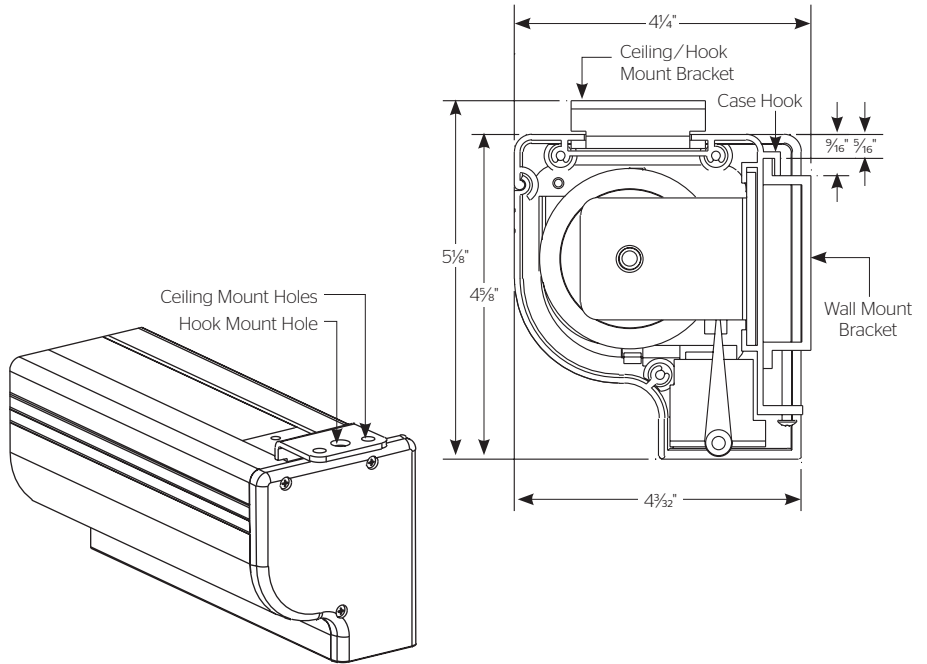
WHEN ORDERING, MARK APPROPRIATE SELECTIONS

- Select size from charts.
- Select viewing surface (All Da-Lite surfaces are GREENGUARD GOLD Certified):
 - Matte White
 - High Contrast Matte White
 - Video Spectra 1.5
3. Optional accessories:
 - No borders (Black masking borders standard).
 - Integrated Infrared Remote (adds 5" to length of case) - Screen will include 10' power cord
 - Single Motor Low Voltage Control (LVC) - external.
 - Single Motor Low Voltage Control (LVC) - built in (adds 5" to length of case).
 - Wireless Remote Control for LVC.
 - Radio Frequency Remote.
 - Radio Frequency Range Extender available
 - Infrared Remote.
 - Key Locking Cover Plate for 120 V Switch or LVC Switch.
 - Key Operated Switch for 120 V only (Note: Cannot be used with LVC).
 - 220 Volt (50 Hz) Motor.
 - Video Projector Interface Control - external.
 - External SCB-100 - RS-232 Serial Control Board
 - NET-100 Ethernet-Serial Adapter
 - Black case (white standard).

PRODUCT VIEWS



SUGGESTED METHODS OF INSTALLATION



A BRAND OF MILESTONE AV TECHNOLOGIES

www.milestone.com
 P 800.622.3737 / 574.267.8101
 F 877.325.4832 / 574.267.7804
 E info@da-lite.com

In British Columbia, Milestone AV Technologies ULC carries on business as MAVT Milestone AV Technologies ULC.

©2018 Milestone AV Technologies. DL-0186 (Rev. 4) 0418.
 Da-Lite is a registered trademarks of Milestone AV Technologies. All other brand names or marks are used for identification purposes and are trademarks of their respective owners. All patents are protected under existing designations. Other patents pending.

Project Name: _____	
Architect: _____	Phone: _____
Contractor: _____	Phone: _____
Supervisor: _____	Phone: _____
Supplier: _____	Date: _____
Revised: _____	