

Series 200 Lace And Grommet Frame



SPECIFICATION DATA

SUGGESTED SPECIFICATIONS: _____ projection screen(s), _____(H) x _____(W), constructed of 2" diameter aluminum tubing with radius frame corners. Frame sections to be slip fit at corners. Lacing cord to be woven onto frame sections with preinstalled S-hooks for viewing surface attachment. Frame to be powder coated black with optional 6" wide masking cover to conceal lace cord and hooks. Optional masking cover includes Pro-Trim® to enhance appearance and absorb light surrounding the viewing area. Frame can be suspended from ceiling by means of included eyebolts installed on top frame section. Wall mount brackets and eye bolts included for wall or ceiling installation.

PRODUCT NOTES

- The Series 200 lace and grommet frame is designed for use with the following flexible lace and grommet screen surfaces (sold separately).
- All HD Progressive (non perf), Da-Mat®, High Contrast Da-Mat, Da-Tex, High Contrast Da-Tex®, Dual Vision and Ultra Wide Angle are seamless up to 16' high.
- HD Progressive 1.1 Perf and HD Progressive 1.1 Contrast Perf are available in sizes up to 8' high.
- Screen frames with an outside dimension greater than 15'6" will have two-piece top and bottom or side frame sections.
- Maximum frame outside dimension (height or width) is 30' for front projection and 20' for rear projection.
- Maximum screen viewing area (height or width) is 29' for front projection and 19' for rear projection.
- Specifications subject to change without notice.
- Overall frame dimensions +/- ¼".

WHEN ORDERING, MARK APPROPRIATE SELECTIONS:

1. Select viewing surface (All Da-Lite surfaces are GREENGUARD GOLD Certified.):

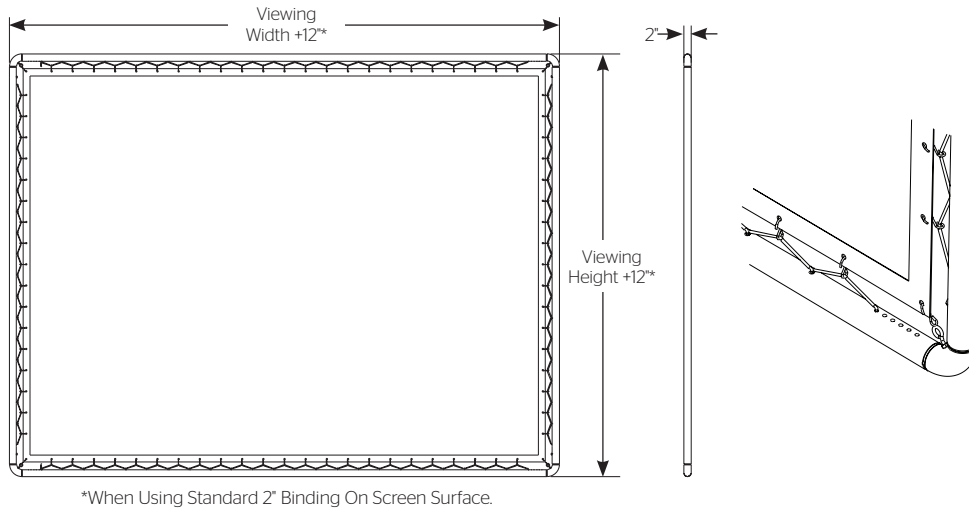
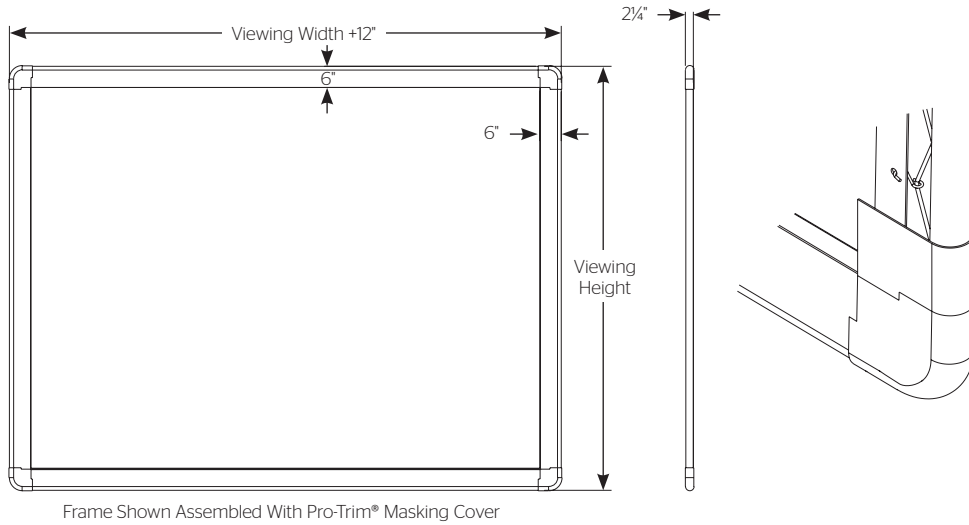
- | | |
|--|---|
| <input type="checkbox"/> HD Progressive 0.6* | <input type="checkbox"/> Da-Mat Black Backed |
| <input type="checkbox"/> HD Progressive 0.9* | <input type="checkbox"/> Da-Mat Foldable Black Backed |
| <input type="checkbox"/> HD Progressive 1.1* | <input type="checkbox"/> High Contrast Da-Mat* |
| <input type="checkbox"/> HD Progressive 1.1 Perf* | <input type="checkbox"/> Da-Tex (Rear) |
| <input type="checkbox"/> HD Progressive 1.1 Contrast* | <input type="checkbox"/> High Contrast Da-Tex (Rear) |
| <input type="checkbox"/> HD Progressive 1.1 Contrast Perf* | <input type="checkbox"/> Dual Vision |
| <input type="checkbox"/> HD Progressive 1.3* | <input type="checkbox"/> Ultra Wide Angle (Rear) |
| <input type="checkbox"/> Da-Mat | |

* Standard with black backing

2. Optional accessories:

- | | |
|--|---|
| <input type="checkbox"/> Pro-Trim® Masking Cover: a fabric covering that aesthetically enhances the appearance of the installation. The Pro-Trim® masking cover conceals screen binding and lacing cord. | <input type="checkbox"/> Series 200 Lace and Grommet Frame with Single Axis curve. |
| | <input type="checkbox"/> Series 200 Lace and Grommet Frame with Single Axis Curve and Velour Masking. |

PRODUCT VIEWS



Frame Shown Assembled With Viewing Surface (Sold Separately)



A BRAND OF MILESTONE AV TECHNOLOGIES

www.milestone.com

P 800.622.3737 / 574.267.8101

F 877.325.4832 / 574.267.7804

E info@da-lite.com

In British Columbia, Milestone AV Technologies ULC carries on business as MAVT Milestone AV Technologies ULC.

©2017 Milestone AV Technologies. DL-0236 (Rev. 2) 12.17.
Da-Lite is a registered trademarks of Milestone AV Technologies. All other brand names or marks are used for identification purposes and are trademarks of their respective owners. All patents are protected under existing designations. Other patents pending.

Project Name:	_____
Architect:	_____
Contractor:	_____ Phone: _____
Reseller:	_____ Phone: _____