

# iBoot-DC

Reboots the failed system to get you back online fast!

## Easiest Way to Minimize Downtime

Minimize downtime to keep your critical systems running and your customers happy. iBoot provides automatic and web controlled power switching to quickly get you back online fast.

This model supports both +VDC and -VDC systems, which will save you an expensive site visit. If you are looking for a basic AC product with a limited amount of features, please check out the **iBoot-G2**.

Control one or many iBoots with a single sign-on using the free iBoot Cloud Service. Just log in and you are instantly in control of as many locations as necessary.

## Top Features:

### Simple Web Browser Operation

Just point your browser to the iBoot, login and you are one click away from bringing that failed system back to life

All setup functions are easy to configure from the browser

### Free Cloud Service

Manage an unlimited number of iBoots from a single login

Eliminate port forwarding and dynamic DNS issues

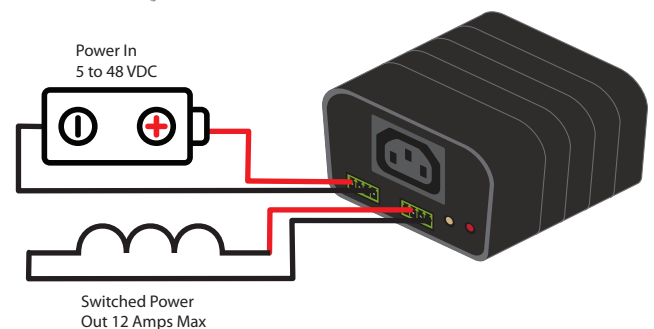
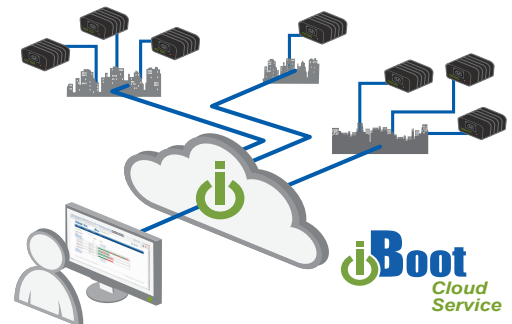
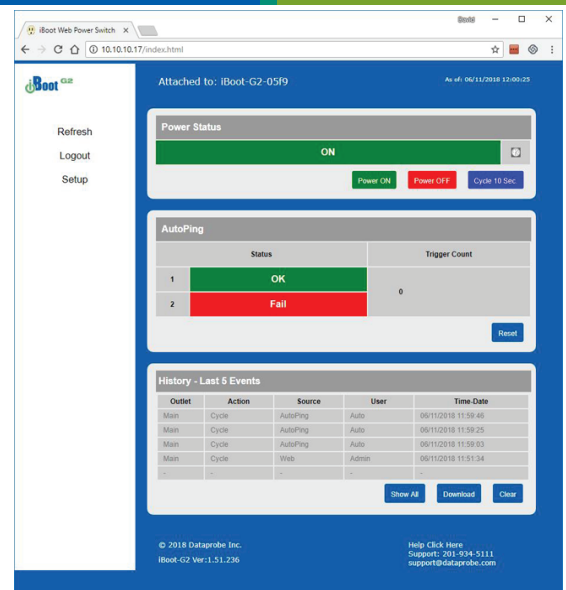
More secure with outbound connections only

### Product Specialties

Uses removeable screw terminal connections for the DC input and switched output connection

Supports 10/100 ethernet using the cable supplied

Accepts negative (relative to ground) power source



## Additional Features

<b>Automatic System Restoral</b>	AutoPing detects network or equipment outage and takes immediate action to restore your network or device. Real time scheduling to have a fresh reboot each morning or minimize power waste at night.
<b>IP Addressed - 10/100 Base-T</b>	Use on any Ethernet IP Network, (public or private) Supports DHCP and alternate ports for Web Access.
<b>Easy Integration</b>	Control iBoot-DC directly from your software application, web page or network management scheme. Sample code in several languages are provided. Configuration tools make it easy to deploy a large number of units across your organization.
<b>Direct TCP &amp; Software Control</b>	Control iBoot-DC directly from your software application for the highest degree of power control integration. Simple protocol is freely available.
<b>5 - 48 VD Power Control</b>	Up to 12 Amp Switched.

## Specifications

Subject to Change Without Notice

<b>Physical:</b>	H x W x D: 2.0" x 3.2" x 4.2" (60mm x 82mm x107mm) Operating Temperature 0 to 50 Deg. C
<b>Power:</b>	5 - 48 VDC Auto Ranging   +VDC and -VDC Systems Supported
<b>Power Switching:</b>	12 Amps up to -29.9 to 29.9 VDC   2 Amps -48 to -30 VDC   2 Amps +30 to +48 VDC Positive Terminal Switched   Negative Switched Available on Special Order
<b>Network:</b>	10/100 Base-T, Autosensing Uplink/Downlink   Cat 5 Cable Included 6'2m long
<b>Reliability:</b>	MTBF 360,000 Hours   Operating Cycles 10,000,000 Mechanical. 100,000 Maximum Load
<b>Security:</b>	Dual Password Protected, User and Admin and Custom Web Port

## Other iBoot Models

### iBoot-G2+

Expandable to 3 outlets and additional features (AC Power)

### iBoot-G2S

Full Featured with built-in 10/100 network switch for easy integration (AC Power)

### iBoot-G2

Equipped with all of the essential basic features (AC Power)

### iBoot-I0

Contact or Voltage Level control of AC Power

### iBoot-PoE

Extenders and Injectors with auto-reboot. 802.3at/af and passive up to 90 watts.

## For More Information

[www.dataprobe.com/iboot-dc/](http://www.dataprobe.com/iboot-dc/)

Phone: 201-934-9944

Fax: 201-934-9090

Email: [sales@dataprobe.com](mailto:sales@dataprobe.com)

Website: [dataprobe.com](http://dataprobe.com)

Follow Us:



**dataprobe**  
Making Every Network More Reliable