

KL FRESNEL 4™



KL FRESNEL 4™ is a 50W 3,000K >97CRI Warm White LED fresnel, producing over 1,900 total lumen output, on par with compatible tungsten halogen models. Features include 14° to 30° wide manual zoom, manual and DMX controlled dimmer and shutter, dimmer and zoom rotary dials, smooth 16-bit selectable dimming curve modes, LED refresh rate frequency and gamma brightness adjustment for flicker free operation for TV and FILM, RDM (remote device management) protocol support, 5pin DMX and powerCON in/out connections, 4 button control panel, LCD menu display, multiple unit power linking, a universal auto switching power supply (100-240v), gel frame and rotating barn doors (included), and a 3 clamp position adjustable mounting yoke.

FEATURES

- 50W 3,000K >97CRI Warm White LED Engine**
- 1,900+ Total Lumen Output**
- Output On Par with Tungsten Halogen Models**
- 14° to 30° Wide Manual Zoom**
- Manual and DMX Controlled Dimmer and Shutter**
- Dimmer and Zoom Rotary Dials**
- Smooth 16-bit Selectable Dimming Curve Modes**
- LED Refresh Rate and Gamma Brightness Adjustment**
- Flicker Free Operation for TV and FILM**
- RDM (Remote Device Management)**
- Gel Frame and Rotating Barn Doors (included)**
- 3 Clamp Position Adjustable Mounting Yoke**



ELATION | KL FRESNEL 4™ | Product Specification Sheet

Specifications subject to change without notice ©Elation Professional 05/02/18

Elation Professional USA | 6122 S. Eastern Ave. | Los Angeles, CA. 90040
323-582-3322 | 323-832-9142 fax | www.elationlighting.com | info@elationlighting.com

Elation Professional B.V. | Junostraat 2 | 6468 EW Kerkrade, The Netherlands
+31 45 546 85 66 | +31 45 546 85 96 fax | www.elationlighting.eu | info@elationlighting.eu

PRODUCT SPECIFICATIONS

SOURCE

50W >97CRI 3,000K Warm White LED
50,000 Hour Average LED Life*

*LED Life may vary depending on several factors including but not limited to:
Environmental Conditions, Power/Voltage, Usage Patterns (On-Off Cycling), Control and Dimming.

PHOTOMETRIC DATA

6,837 LUX 635 FC @6.6' (2m) (Min Zoom / Full ON)
1,791 LUX 166 FC @6.6' (2m) (Max Zoom / Full ON)

EFFECTS

14° - 30° Manual Zoom
Electronic Strobe
Variable 16-bit Dimming Curve Modes

COLOR

Warm White 3,000K

CONTROL / CONNECTIONS

Manual and DMX Controlled Dimmer and Shutter
Dimmer and Zoom Rotary Dials
(4) DMX Channel Modes (1 / 2 / 3 / 4)
4 Button Control Panel LCD Menu Display
RDM (Remote Device Management)
5pin DMX and powerCON TRUE1 In/Out

SIZE / WEIGHT

Length: 13.6" (345mm)
Width: 7.9" (201mm)
Vertical Height: 11.4" (289mm)
Weight: 9.0 lbs. (4.08 kg)

ELECTRICAL / THERMAL

AC 100-240V - 50/60Hz
50W Max Power Consumption
Multiple Unit Power Linking
5°F to 113°F (-15°C to 45°C)

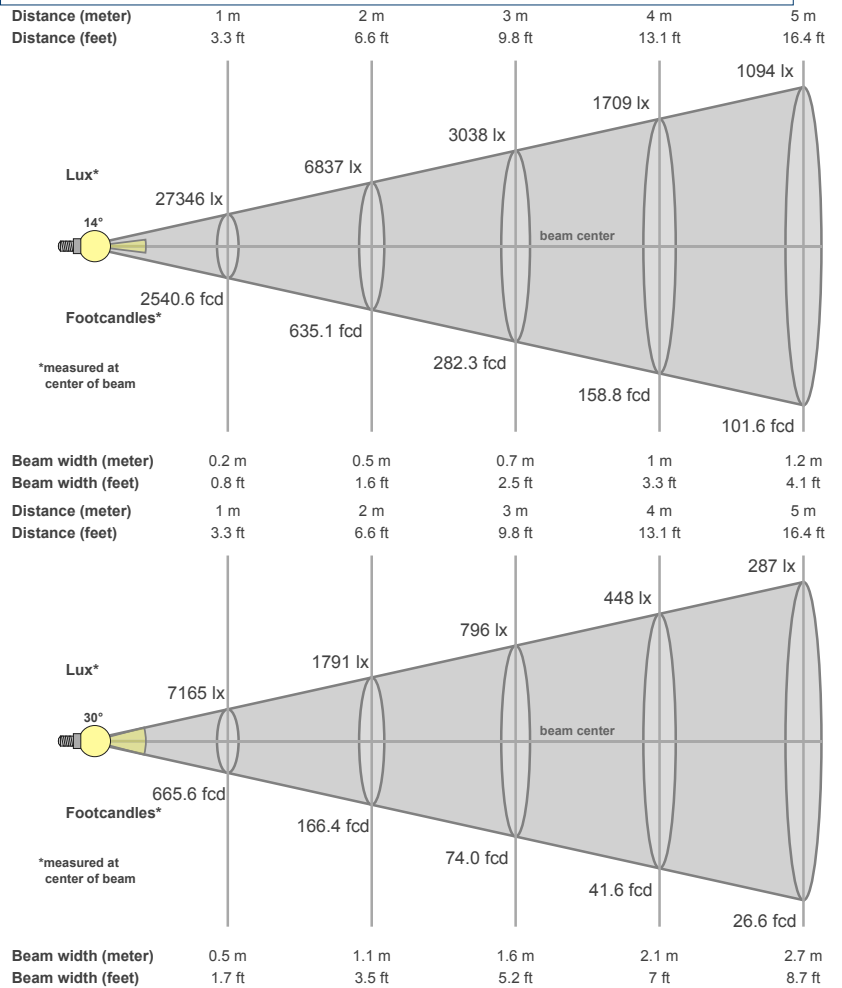
INCLUDED ITEMS

Gel Frame and Rotating Barn Doors
powerCON TRUE1 Power Cable
Barn Doors and Fixture Safety Cables

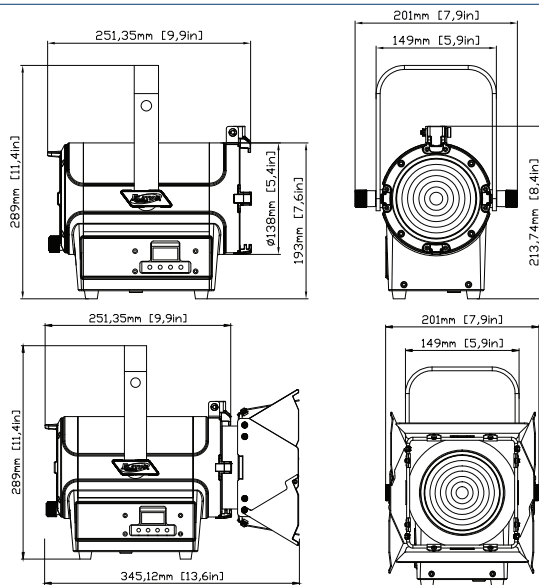
APPROVALS / RATINGS



PHOTOMETRIC DATA



DIMENSIONAL DIAGRAMS



ORDERING INFORMATION

KLF001	KL FRESNEL 4
QUICK RIG CLAMP	Low Profile Quick Release Clamp
AC5PDMX5PRO	5 ft. (1.5m) Spin PRO DMX Cable (Additional cable lengths available)
NEU088	3 ft. (1m) PowerCON TRUE1 Power Link Cable (Additional cable lengths available)

