

# KL FRESNEL 8™



KL FRESNEL 8™ is a 350W 3,000K >96CRI Warm White LED fresnel, producing over 14,000 total lumen output, on par with compatible tungsten halogen models. Features include manual and DMX control, 11° to 57° wide manual zoom, manual and DMX controlled dimmer, shutter, and zoom, dimmer and zoom rotary dials, smooth 16-bit selectable dimming curve modes, LED refresh rate frequency and gamma brightness adjustment for flicker free operation for TV and FILM, removable barn doors (included), RDM (remote device management) protocol support, 3/5pin DMX and powerCON in/out connections, 4 button control panel, LCD menu display, multiple unit power linking, a universal auto switching power supply (100-240v), gel frame and rotating barn doors (included), and a 3 clamp position adjustable mounting yoke.

## FEATURES

- 350W 3,000K >96CRI Warm White LED Engine**
- 14,000+ Total Lumen Output**
- Output On Par with Tungsten Halogen Models**
- 11° to 57° Wide Manual Zoom**
- Manual and DMX Controlled Dimmer and Shutter**
- Dimmer and Zoom Rotary Dials**
- Smooth 16-bit Selectable Dimming Curve Modes**
- LED Refresh Rate and Gamma Brightness Adjustment**
- Flicker Free Operation for TV and FILM**
- RDM (Remote Device Management)**
- Gel Frame and Rotating Barn Doors (included)**
- 3 Clamp Position Adjustable Mounting Yoke**



**PRODUCT SPECIFICATIONS**

**SOURCE**

350W >95CRI 3,000K Cool White LED  
50,000 Hour Average LED Life\*

\*LED Life may vary depending on several factors including but not limited to:  
Environmental Conditions, Power/Voltage, Usage Patterns (On-Off Cycling), Control and Dimming.

**PHOTOMETRIC DATA**

43,673 LUX 4,057 FC @6.6' (2m) (Min Zoom / Full ON)  
4,169 LUX 387 FC @6.6' (2m) (Max Zoom / Full ON)

**EFFECTS**

11° - 57° Wide Motorized Zoom  
Electronic Strobe  
Variable 16-bit Dimming Curve Modes

**COLOR**

Warm White 3,000K

**CONTROL / CONNECTIONS**

Manual and DMX Controlled Dimmer, Shutter, and Zoom  
Dimmer and Zoom Rotary Dials  
(4) DMX Channel Modes (1 / 2 / 3 / 4)  
4 Button Control Panel LCD Menu Display  
RDM (Remote Device Management)  
3/5pin DMX and powerCON TRUE1 In/Out

**SIZE / WEIGHT**

Length: 23.95" (608.4mm)  
Width: 12.89" (327.5mm)  
Vertical Height: 17.95" (456mm)  
Weight: 18.5 lbs. (8.4kg)

**ELECTRICAL / THERMAL**

AC 100-240V - 50/60Hz  
430W Max Power Consumption  
Multiple Unit Power Linking  
5°F to 113°F (-15°C to 45°C)

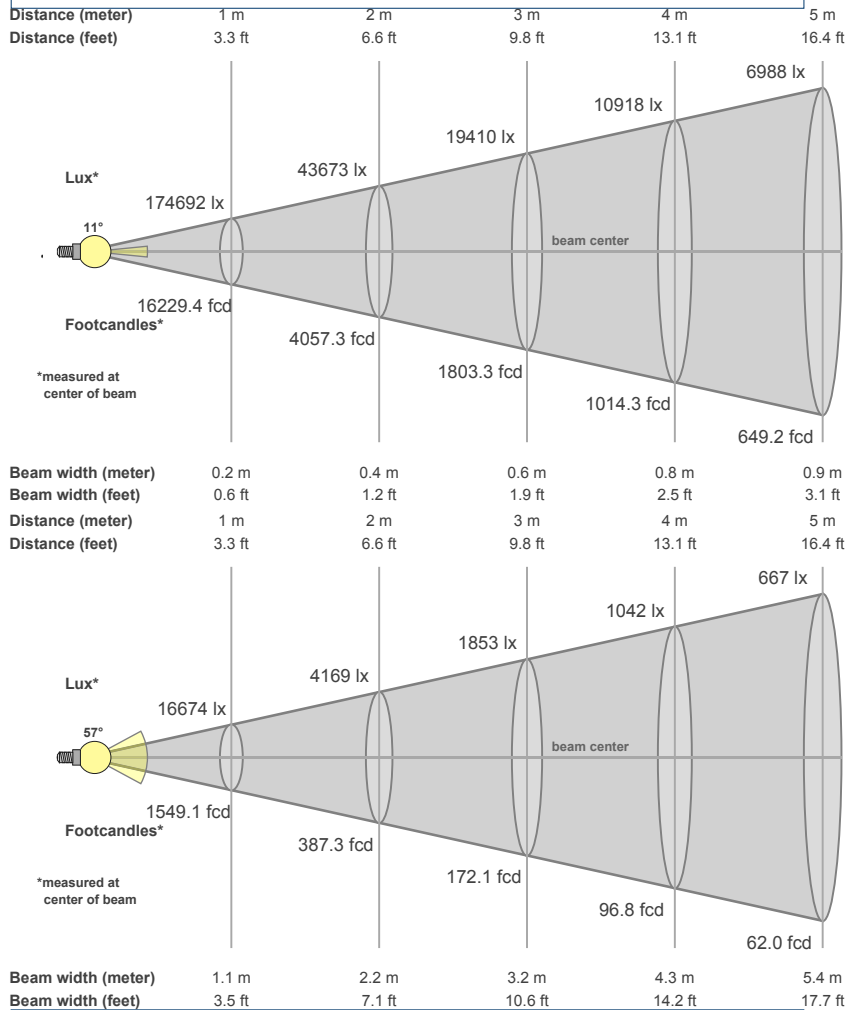
**INCLUDED ITEMS**

Gel Frame and Rotating Barn Doors  
powerCON TRUE1 Power Cable  
Barn Doors and Fixture Safety Cables

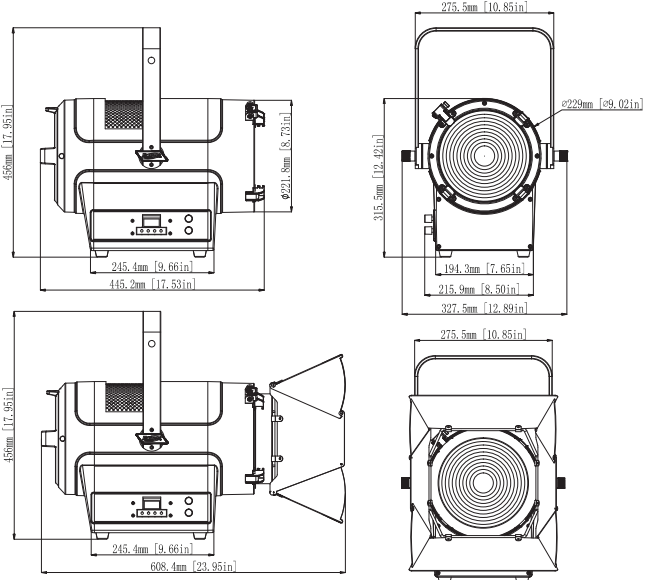
**APPROVALS / RATINGS**



**PHOTOMETRIC DATA**



**DIMENSIONAL DIAGRAMS**



**ORDERING INFORMATION**

<b>KLF023</b>	KL FRESNEL 8
<b>TRIGGER CLAMP</b>	Heavy Duty Wrap Around Hook Style Clamp
<b>AC5PDMX5PRO</b>	5 ft. (1.5m) 5pin PRO DMX Cable (Additional cable lengths available)
<b>PLC3</b>	3 ft. (1m) PowerCON Power Link Cable

Specifications subject to change without notice ©Elation Professional 05/02/18

