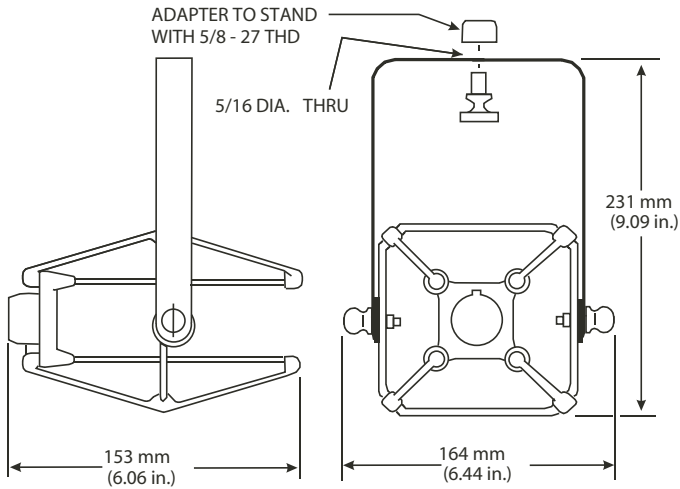


309A Microphone Suspension/Shock Mount



Dimension Drawing:



General Description:

The Electro-Voice 309A suspension shock mount was designed specifically for use with the RE20, RE27N/D, and RE320 dynamic microphones. It provides near-perfect shock isolation for those already internally shock mounted microphones. For most applications, the Model 309A may be attached directly to the recording boom or to a floor stand. A stand adapter with 5/8"–27 thread is provided.

The 309A mount design allows quick installation of the RE20, RE27N/D, or RE320 microphone without tools. A double safety factor is provided to ensure that the microphone will remain attached to the shock mount under any conditions. First a "bayonet" locking action assures that the microphone will not fall out of the shock mount under its own weight. Additionally, a set screw (wing type) can be tightened to lock the microphone in place after it has been properly positioned.

Four (4) molded neoprene shock cords suspend and support the microphone within an aluminum and steel frame-work to effectively isolate it from mechanical shock and vibration.

Technical Specifications:

Material:	Aluminum and ABS resin
Finish:	Black
Dimensions (H x W x D)	9.09 in x 6.44 in x 6.06 in (231 mm x 164 mm x 153 mm)
Net Weight:	11 oz (312 g)
Shipping Weight:	14.7 oz (417 g)
Suspension:	Four molded neoprene cords EV Part No. 78297 (sold as each)
Rotation:	360 degrees swivel
Accessories Provided:	5/8"-27 Stand Adapter

Warranty:

Please refer to the Limited Warranty information found at: www.electrovoice.com

Electro-Voice

12000 Portland Avenue South, Burnsville, MN 55337
Phone: 952/884-4051, Fax: 952/884-0043

www.electrovoice.com

© Bosch Communications Systems 10/2012
Part Number F.01U.273.401 Rev 06

U.S.A. and Canada only. For customer orders, contact Customer Service at:
800/392-3497 Fax: 800/955-6831

Europe, Africa, and Middle East only. For customer orders, contact Customer Service at:
+ 49 9421-706 0 Fax: + 49 9421-706 265

Other International locations. For customer orders, Contact Customer Service at:
+ 1 952 884-4051 Fax: + 1 952 887-9212

For warranty repair or service information, contact the Service Repair department at:
800/685-2606

For technical assistance, contact Technical Support at: 866/78AUDIO

Specifications subject to change without notice.