

Accessories for iPad® Mobile Digital Devices Elegant & Practical Mounting

FSR

Control Products Group

Accessories for iPad
Mobile Digital Devices



Swivel models

iPad Mini in white

DESCRIPTION

The TM-IPD and TM-IPMINI are new mounting solutions for the iPad's. These rugged units can be placed on any desk top, counter, or table surface.

The TM-IPDs can be effective in stores for digital displays including demonstrations, tradeshow, conferences, as well as residential use. This secure iPad mount is a great advertising aid and works well as a mini billboard. Their design is simple and matches the Apple products with finishes in black or white. Custom finishes are available on request.

The swivel models are perfect for Collaboration, Telepresence, Huddle areas and facilitate user sharing. Swivel models must be permanently and securely mounted to a desk, table top or other surface using the mounting holes in the base. There are provisions for limiting the travel distance of the swivel, if desired, via supplied stop screws.

Rotating action on all models allows users to quickly reposition between an indexed portrait and landscape orientation. The tilt mechanics are extremely flexible to handle all viewing positions. They can also be ordered with or without the "home button" opening for limited access applications.

Depending on the model, the mount includes one of Apple's two connector styles. The unit comes prewired with either the older 30 pin connector or the new lightning connector cable. Cabling exits the back via a small hole, or can be passed through the table surface on all models.

FEATURES

- Non skid material on base keeps the stand secure on flat surfaces
- Fixed 90° rotation with integrated stops for landscape or portrait viewing
- Tilts up and down easily for viewing from the standing or seated position via an oversized friction hinge
- The swivel unit rotates more than 180° for multi user applications
- Non Swivel unit is weighted for free standing stability or can be mounted to the surface for security
- Power button access on all units with built in disable feature
- Front Panel camera and speaker ports on all units
- Radio transparent (Wi-Fi, Bluetooth, 3G)
- Opening on the rear of the base for cable entry
- Integrated pads provide non-marring contact points
- Colors: Painted black or white. Custom finishes are available on request.

® iPad is a registered trademark of Apple Inc., registered in the US and other countries. The products contained on these pages are not endorsed by or affiliated with Apple Inc.

FSR Inc.

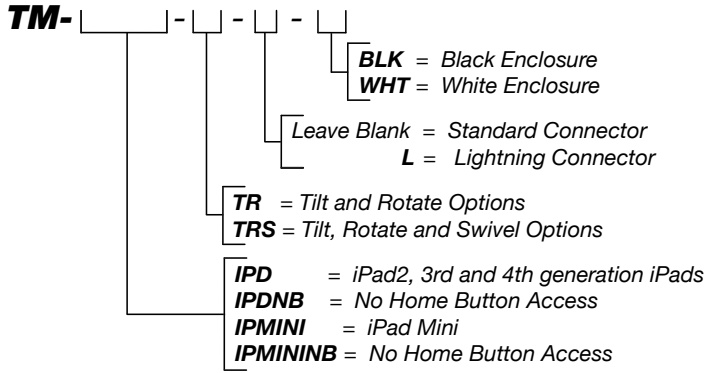
244 Bergen Boulevard, Woodland Park, NJ 07424

Phone: 973.785.4347 · Fax: 973.785.4207

Web: www.fsrinc.com · E-mail: sales@fsrinc.com

LIT1447A

ORDERING INFORMATION

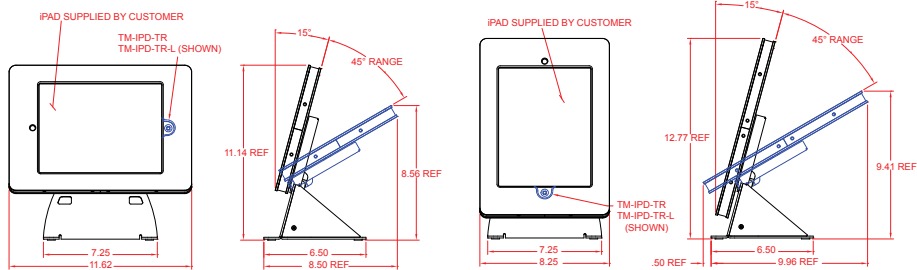


Example: A **TM-IPDNB-TRS-L-WHT** would be a **TM-IPD** desk mount for an iPad2, 3rd and 4th generation iPads with No Home Button Access, Rotate, Tilt and Swivel mechanics and Lightning Connector in White.

DIMENSIONS

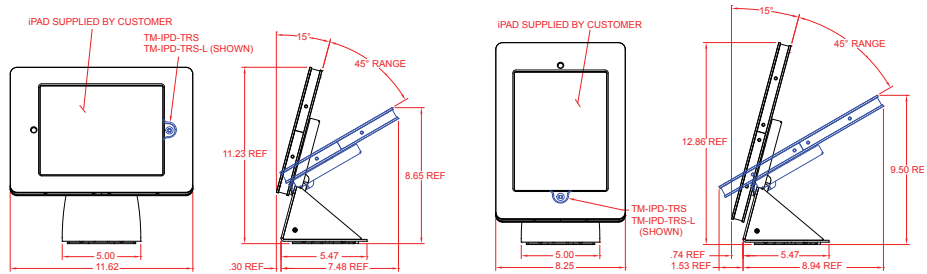
TM-IPD-TR

Tilt and rotate model for iPad



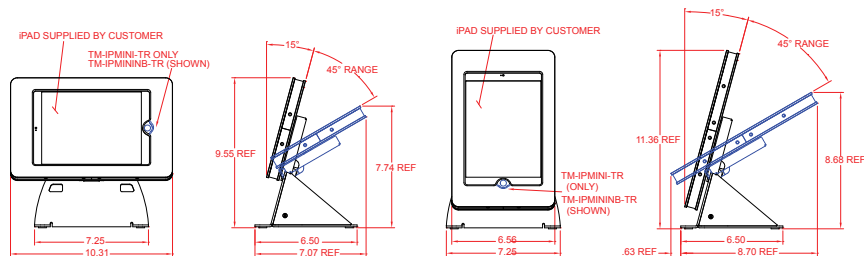
TM-IPD-TRS

Tilt, rotate and swivel model for iPad



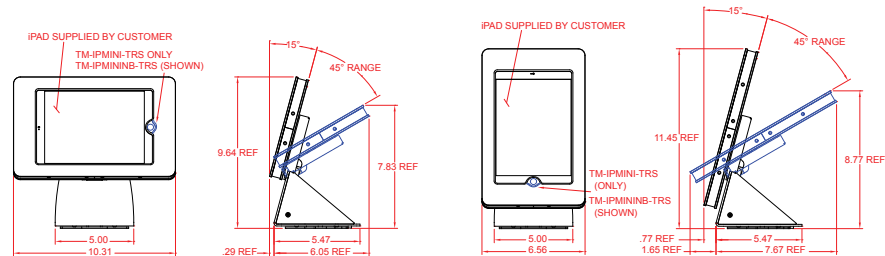
TM-IPMINI-TR

Tilt and rotate model for iPad Mini



TM-IPMINI-TRS

Tilt, rotate and swivel model for iPad Mini



Specifications are subject to change without notice.

FSR Inc.

244 Bergen Boulevard, Woodland Park, NJ 07424

Phone: 973.785.4347 · Fax: 973.785.4207

Web: www.fsrinc.com · E-mail: sales@fsrinc.com