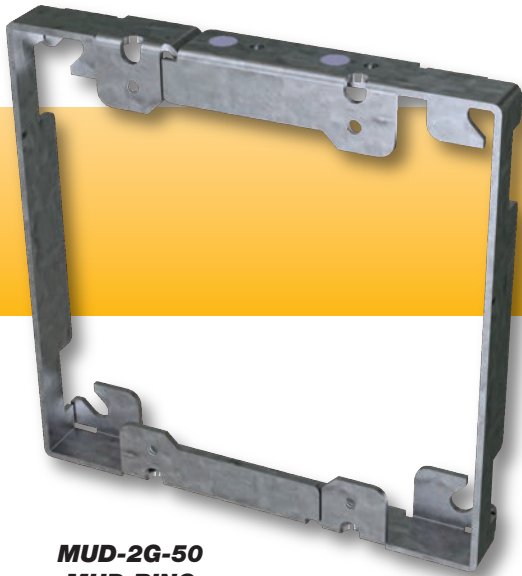


MUD-2G **MUD RING**

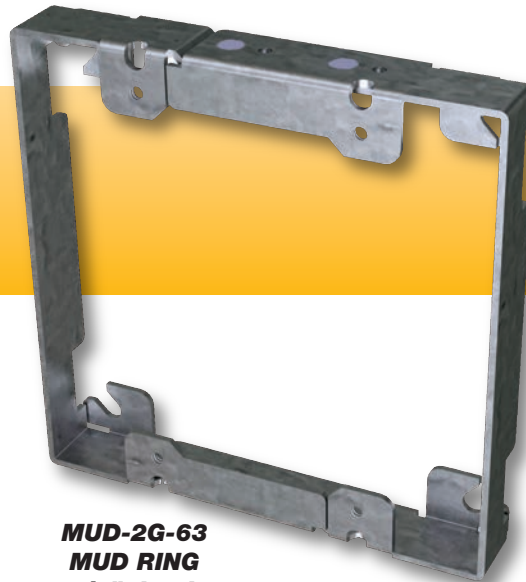
FSR

Metal Products Group

MUD-2G



MUD-2G-50
MUD RING
1/2" depth



MUD-2G-63
MUD RING
5/8" depth

DESCRIPTION

The MUD-2G is a formed extra wide 4" mud ring with square corners for mounting large active electronic devices. This mud ring was designed to make the installation of the FSR Flex touch screen control system and HDBaseT wall plate transmitters easier. The mud ring will fit both formed and stamped 4" square electrical boxes manufactured by the leading electrical part suppliers.

The mud ring is available in 1/2" and 5/8" models. Both models feature a unique open frame design that increases the usable area over the standard stamped 2-gang cover. This ring gives a true rectangular opening of 3.88" wide by 2.88" high. There are no round corners to interfere with the device causing last minute delays.

The MUD-2G Mud Rings are the perfect installation accessories when using all AV interfaces, control devices and input plates.

APPLICATIONS

- Digital Signage
- Huddle Areas
- Hospitals
- Conference Centers
- Schools
- Airports
- Command Centers
- Electronic Billboards
- Museums
- Arenas

FEATURES

- Mounting screws should not need to be removed to install
- 1/2" and 5/8" deep versions available
- 3.88" W x 2.88" H opening
- Square corners for full access
- Can be mounted in 90° increments
- Convenient mounting solution for FSR FLEX panels

ORDERING INFORMATION

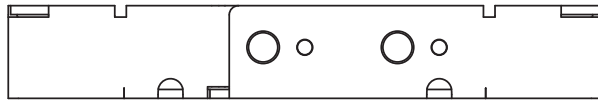
- MUD-2G-50 1/2" deep mud ring
- MUD-2G-625 5/8" deep mud ring

FSR Inc.

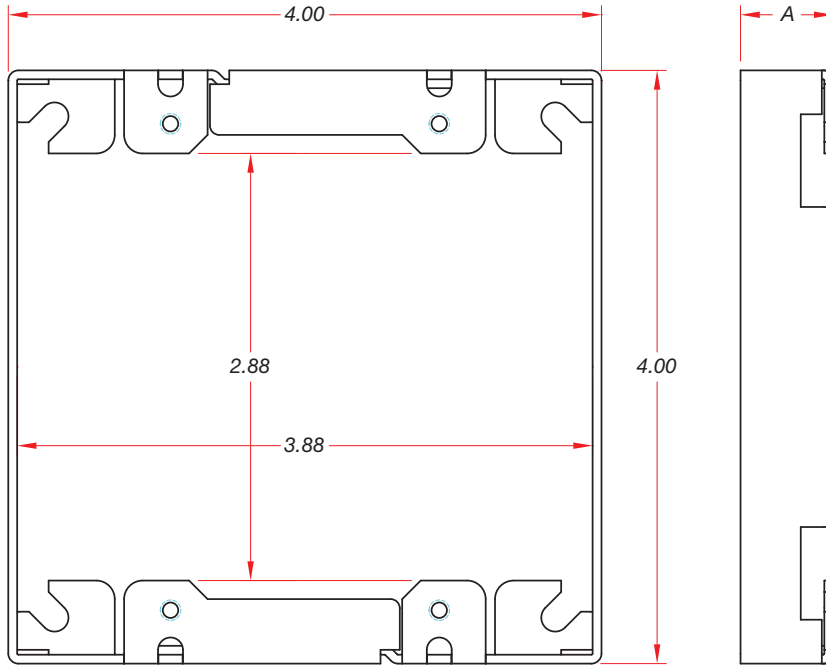
244 Bergen Boulevard, Woodland Park, NJ 07424
Phone: 973.785.4347 · Fax: 973.785.4207
Web: www.fsrinc.com · E-mail: sales@fsrinc.com
Order Desk: 1-800-332-FSR1

LIT1588

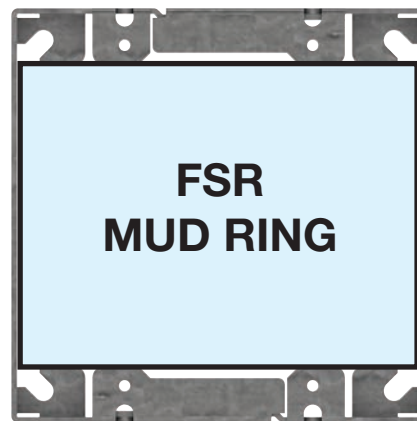
DIMENSIONS



MODEL	A
MUD-2G-50	1/2
MUD-2G-63	5/8



INTENDED FOR USE WITH 4"-SQUARE ELECTRICAL BOXES



Specifications are subject to change without notice.
© 2016 FSR, Inc. All Rights Reserved

FSR

244 Bergen Boulevard, Woodland Park, NJ 07424
Phone: 973.785.4347 · Fax: 973.785.4207
Web: www.fsrinc.com · E-mail: sales@fsrinc.com